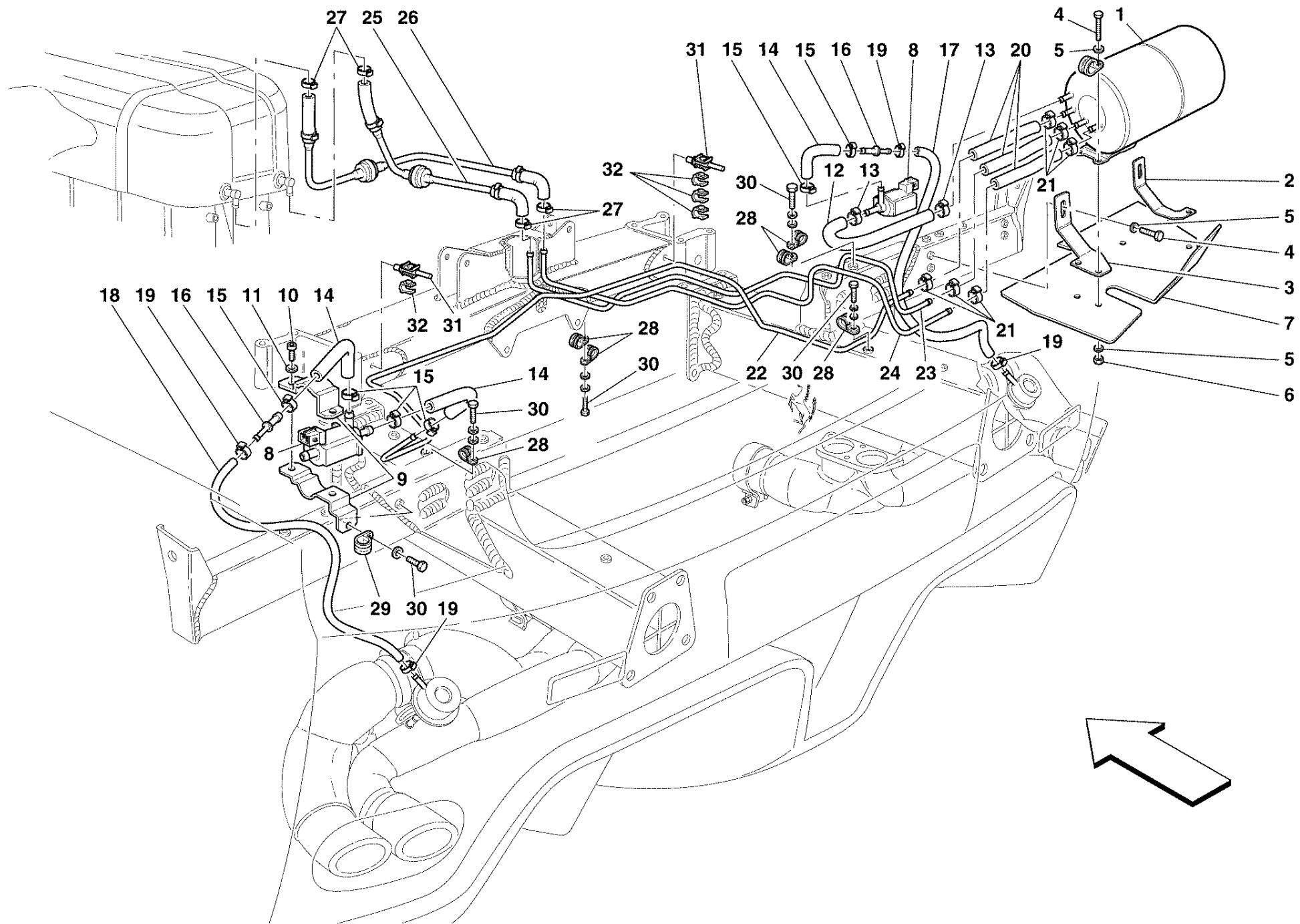
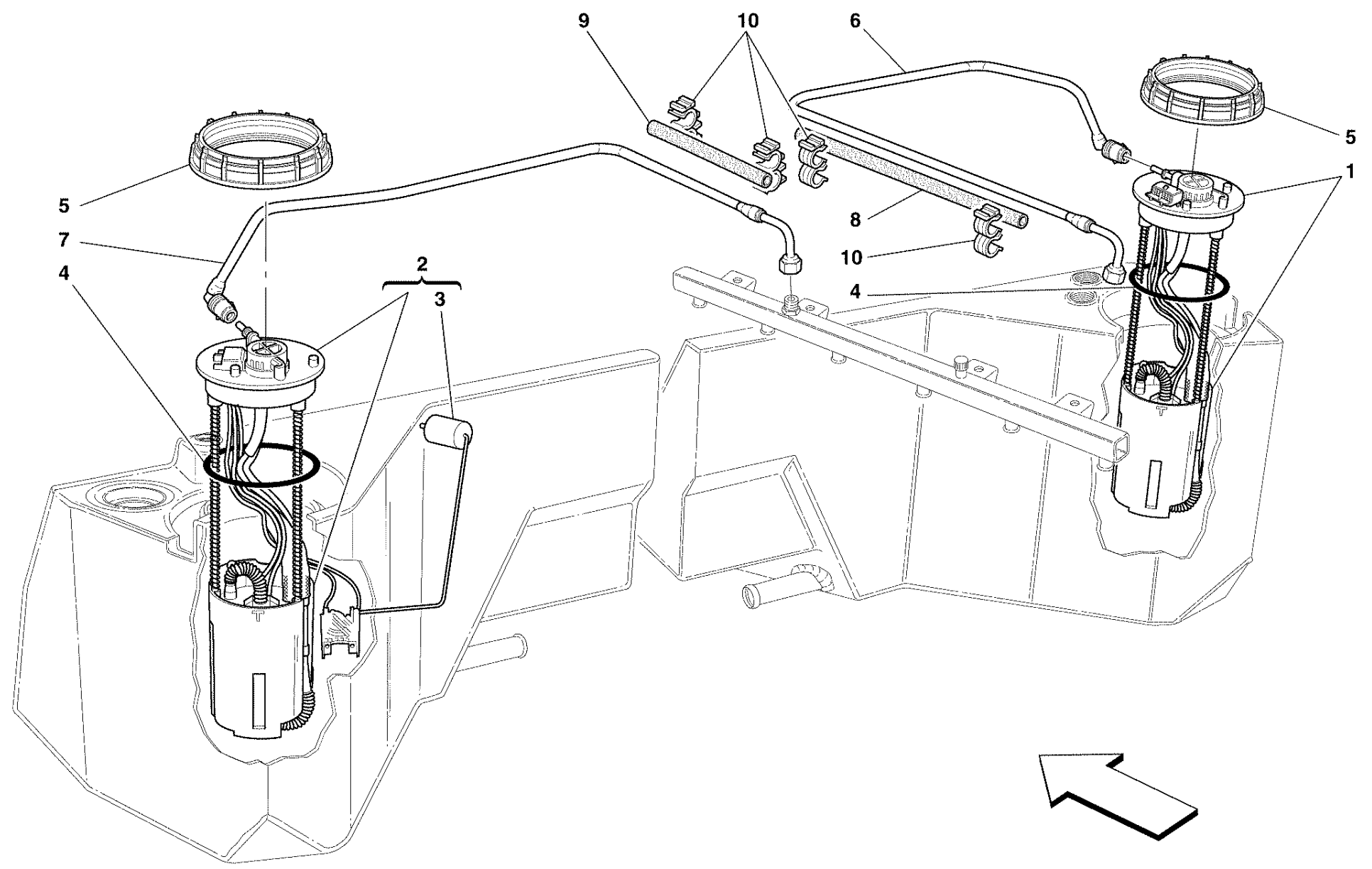


Enzo Ferrari - 7 - INJECTION - IGNITION DEVICE

1	185257	2	CONTROL UNIT IGNITION -Not for USA and CDN-
1	192748	2	CONTROL UNIT IGNITION -Valid for USA and CDN-
2	191407	1	R.H. CONTROL STATION BOX
3	191408	1	L.H. CONTROL STATION BOX
4	197601	1	R.H. SIDE INJECTION CONNECTING CABLES
4	188137	1	L.H. SIDE INJECTION CONNECTING CABLES
5	186914	8	IGNITION COIL -L= 900 mm-
5	188504	4	IGNITION COIL -L= 700 mm-
6	14305324	12	SCREW
7	11197774	12	WASHER
8	183553	2	COMPLETE FUEL TUBE WITH ELECTRO-INJECTORS -Not as spare part now- -Replaced by 199402-
8	199402	2	COMPLETE FUEL TUBE WITH ELECTRO-INJECTORS
9	197808	12	ELECTRO-INJECTOR
10	133902	24	GASKET
11	144730	12	FIXING CLIP
12	16043124	8	SCREW
13	12601374	8	WASHER
14	195837	1	R.H. SHIELD
14	195839	1	L.H. SHIELD
15	192637	12	SPARK PLUG
16	66578600	1	GASKET
17	196334	1	CONTROL STATION BOXES INSULATIONS KIT
18	198529	2	HEAT SHIELD
19	66870200	1	FUEL PAN

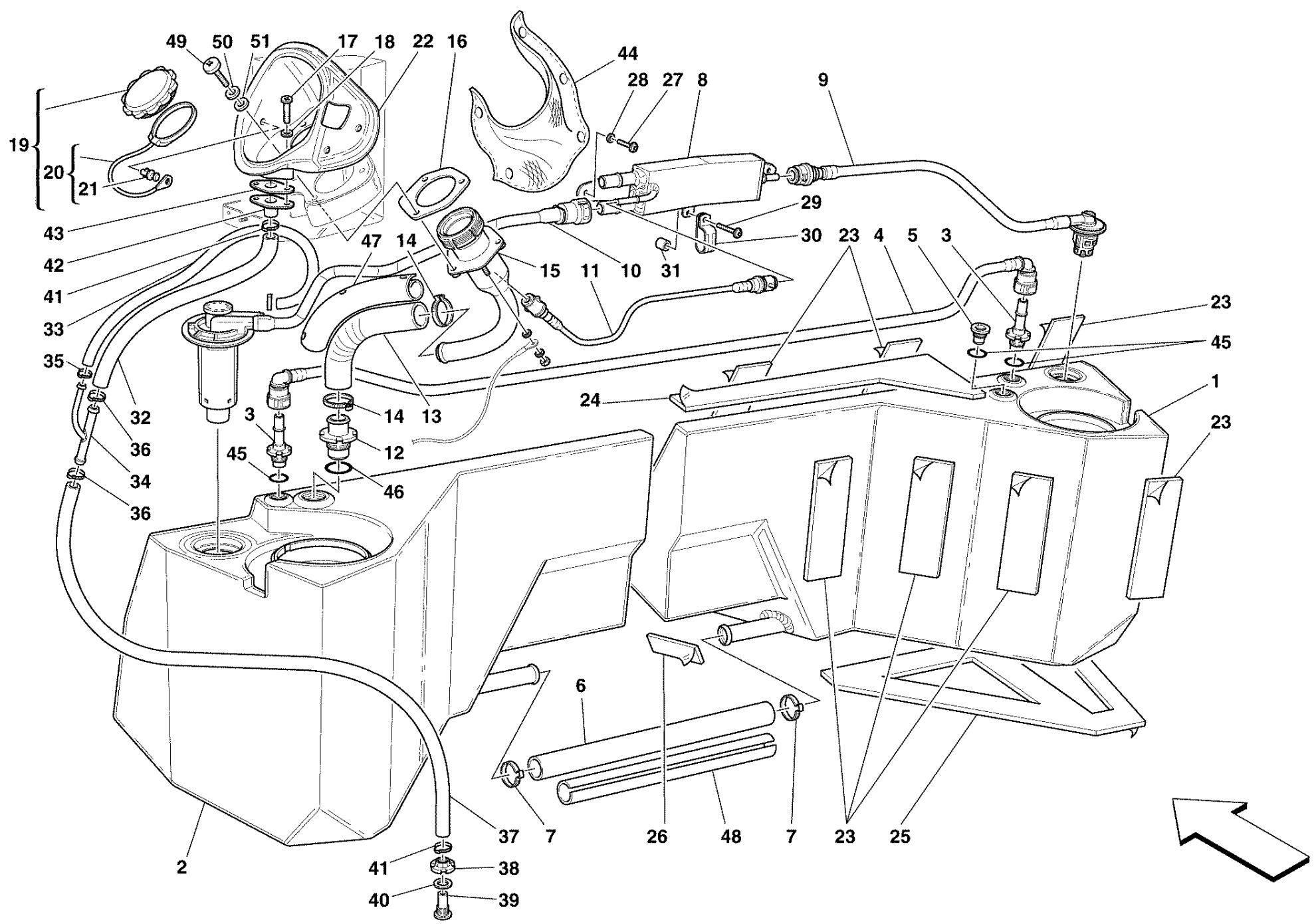


1	191385	1	DEPRESSION ACCUMULATION TANK
2	191380	1	R.H. SUPPORT BRACKET
3	191378	1	L.H. SUPPORT BRACKET
4	10902424	8	SCREW
5	12644424	12	WASHER
6	14048115	4	NUT
7	195911	1	SHIELD FOR TANK PROTECTION
8	178309	2	SOLENOID VALVE
9	178515	2	SOLENOID VALVE SUPPORT
10	14302924	4	SCREW
11	127492	4	WASHER
12	194260	1	PIPE FROM SOLENOID VALVE TO TANK
13	13432070	2	COLLAR FOR SLEEVE
14	148464	3	SLEEVE
15	13432070	6	COLLAR FOR SLEEVE
16	178369	2	UNION
17	147122	1	R.H. PIPE FROM UNION TO VALVE
18	147127	1	L.H. PIPE FROM UNION TO VALVE
19	171406	4	COLLAR FOR SLEEVE
20	194259	3	RUBBER HOSE
21	13432070	6	COLLAR FOR SLEEVE
22	193562	1	PIPE FROM TANK TO L.H. SOLENOID VALVE
23	193564	1	PIPE FROM TANK TO R.H. DEPRESSION PIPE
24	193563	1	PIPE FROM TANK TO L.H. DEPRESSION PIPE
25	186822	1	COMPLETE R.H. DEPRESSION PIPE
26	186823	1	COMPLETE L.H. DEPRESSION PIPE
27	13432070	4	COLLAR FOR SLEEVE
28	10441190	6	BRACKET WITH SHEATH
29	10441390	2	BRACKET WITH SHEATH
30	14305287	6	SCREW
31	140162	2	ANCHORAGE FOR CLIP
32	140130	4	FLEXIBLE CLIP



Enzo Ferrari - 9 - FUEL PUMPS AND PIPES

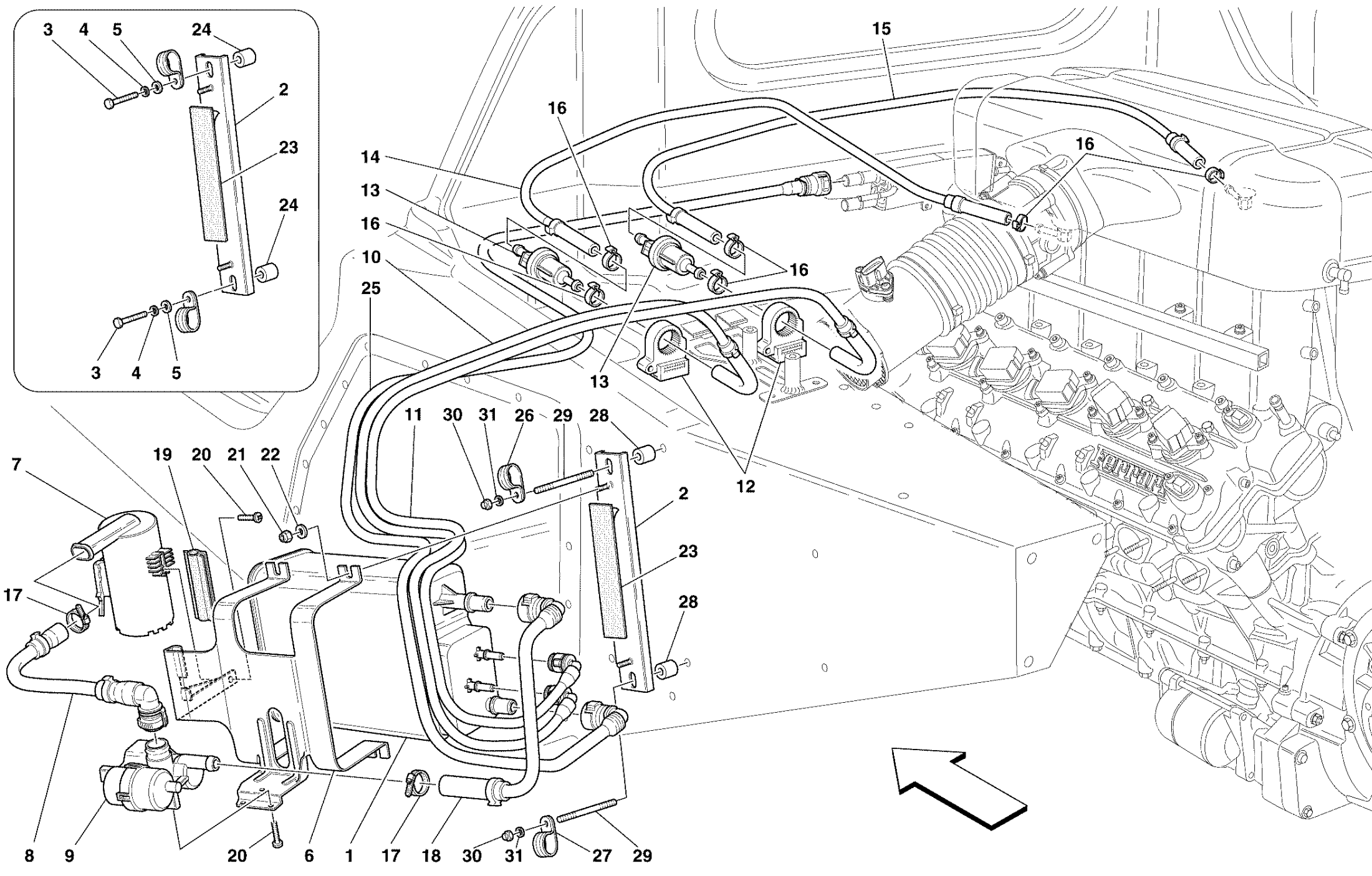
1	186012	1	R.H. COMPLETE FUEL PUMP
2	186019	1	L.H. COMPLETE FUEL PUMP AND FUEL LEVEL INDICATOR CONTROL
3	186021	1	FUEL LEVEL INDICATOR CONTROL -Not as spare part- -Replaced by 204998-
3	204998	1	FUEL LEVEL INDICATOR CONTROL
4	181681	2	GASKET FOR RING NUT
5	181682	2	RING NUT FIXING PUMP
6	189407	1	R.H. FUEL DELIVERY TUBE
7	189408	1	L.H. FUEL DELIVERY TUBE
8	197746	1	R.H. HEAT SHIELD
9	197750	1	L.H. HEAT SHIELD
10	140727	8	FIXING CLIP



Enzo Ferrari - 10 - FUEL TANKS AND UNION

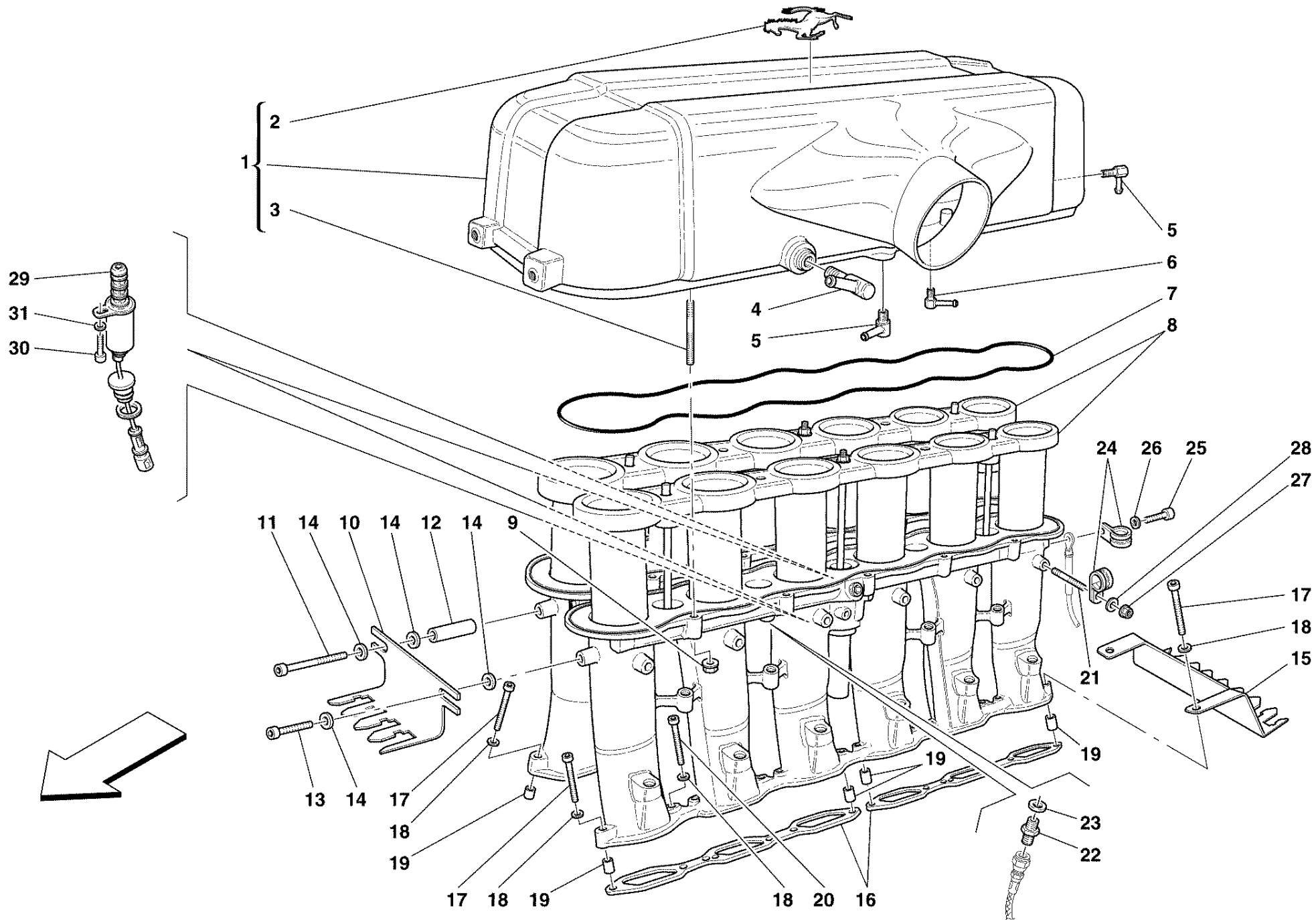
1	186007	1	R.H. FUEL TANK
2	186014	1	L.H. FUEL TANK
3	187709	2	PIPE ON TANK FOR QUICK CONNECTION
4	190874	1	TANKS AIR BELL CONNECTION PIPE
5	187665	1	THREADED PLUG
6	187164	1	TANK LOWER CONNECTING PIPE
7	170127	2	COLLAR FOR SLEEVE
8	190517	1	DISAREATOR
9	192020	1	VENTILATION VALVE COMPLETE OF TUBE
10	192007	1	MULTIFUNCTIONAL VALVE COMPLETE OF TUBE
11	192251	1	UNIONS COMPLETE TUBE
12	187494	1	PIPE ON TANK FOR FUEL FILL
13	192261	1	UNION-TANKS CONNECTING PIPE
14	170127	2	COLLAR FOR SLEEVE
15	188799	1	UNION
16	172899	1	GASKET
17	14778418	2	SCREW
18	10571570	2	WASHER
19	195669	1	COMPLETE PLUG
20	195666	1	COMPLETE RING
21	186172	1	RETAINER FOR STRING
22	66761100	1	FLANGE
23	190424	14	RUBBER THICKNESS
24	191656	1	R.H. UPPER RUBBER THICKNESS
24	191653	1	L.H. UPPER RUBBER THICKNESS
25	191657	1	R.H. LOWER RUBBER THICKNESS
25	191651	1	L.H. LOWER RUBBER THICKNESS
26	190425	2	RUBBER THICKNESS
27	65366700	2	SCREW
28	10571570	2	WASHER
29	168133	1	SCREW
30	139512	1	BRACKET WITH SHEATH
31	189927	1	SPACER
32	196657	1	PIPE FROM PAN TO 3-WAY
33	196658	1	PIPE FROM VALVE TO 3-WAY
34	195439	1	3-WAY UNION
35	13432270	1	SCREW COLLAR
36	13433570	2	SCREW COLLAR
37	196656	1	PIPE FROM 3-WAY TO BOTTOM
38	104919	1	RING NUT
39	64872000	1	SLEEVE
40	65064500	1	GASKET
41	177553	2	CLAMP
42	197000	1	FLANGE FOR EXHAUST
43	197001	1	GASKET
44	198097	1	UNION PROTECTION -Valid till stock exhaustion-
44	199428	1	UNION PROTECTION -Valid after stock exhaustion of 198097-
45	14457589	3	O.R. GASKET

46	14458289	1	O.R. GASKET
47	198238	1	PIPE PROTECTION
48	199427	1	PIPE PROTECTION
49	14064117	3	SCREW
50	12620477	3	WASHER
51	12644477	3	WASHER



Enzo Ferrari - 11 - ANTIEVAPORATION DEVICE

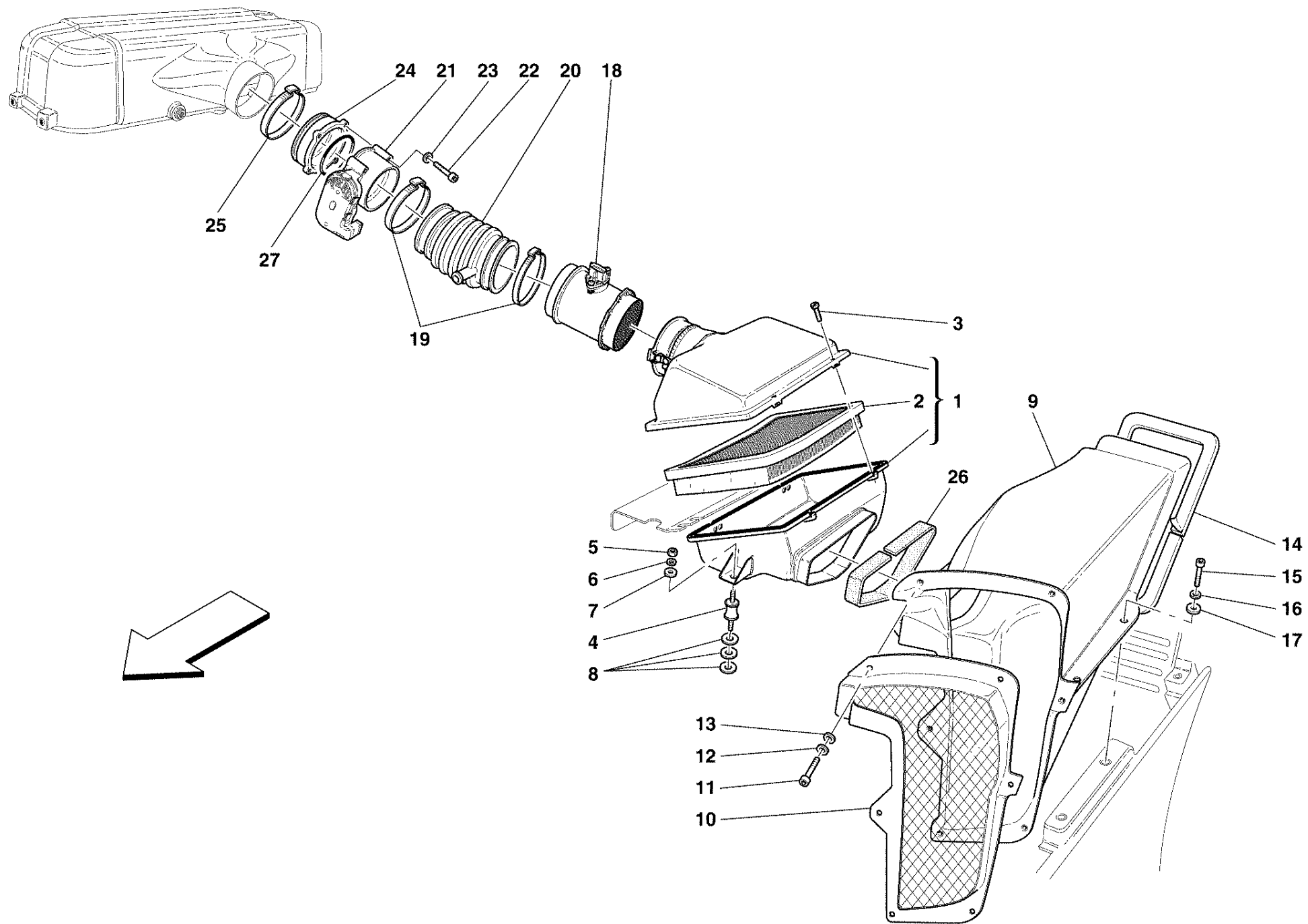
1	184465	1	FUEL VAPOR FILTER
2	189925	2	BRACKET
3	10978224	4	SCREW -Valid till car Ass. Nr. 45997-
4	10571570	4	WASHER -Valid till car Ass. Nr. 45997-
5	12638177	4	WASHER -Valid till car Ass. Nr. 45997-
6	189924	1	BRACKET FOR VAPOR FILTER FIXING
7	183221	1	FILTER FOR OBD PUMP
8	189386	1	UNIONS COMPLETE TUBE
9	185405	1	DIAGNOSIS PUMP
10	188115	1	UNIONS COMPLETE TUBE
11	188114	1	UNIONS COMPLETE TUBE
12	174623	2	BUFFER FOR SUPPORT
13	162412	2	WASHER VALVE
14	188117	1	UNIONS COMPLETE TUBE
15	188118	1	UNIONS COMPLETE TUBE
16	13432070	6	COLLAR FOR SLEEVE
17	13000390	2	SCREW COLLAR
18	188112	1	UNIONS COMPLETE TUBE
19	196103	1	ANTI-VIBRATION GASKET
20	15688375	4	SCREW
21	113647	4	NUT
22	14496324	4	WASHER
23	66202100	1	ADHESIVE
24	189926	2	SPACER -L= 10,5mm- -Valid till car Ass. Nr. 45997-
24	189927	2	SPACER -L= 12,5mm- -Valid till car Ass. Nr. 45997-
25	190878	1	PIPE FROM FILTER TO DISAREATOR
26	10441690	2	BRACKET WITH SHEATH
27	10441790	1	BRACKET WITH SHEATH
28	13604115	4	SPACER -Valid from car Ass. Nr. 45998-
29	11001524	4	STUD -Valid from car Ass. Nr. 45998-
30	12637824	4	WASHER -Valid from car Ass. Nr. 45998-
31	113647	4	NUT -Valid from car Ass. Nr. 45998-



Enzo Ferrari - 12 - AIR INTAKE MANIFOLD AND AIR BOX

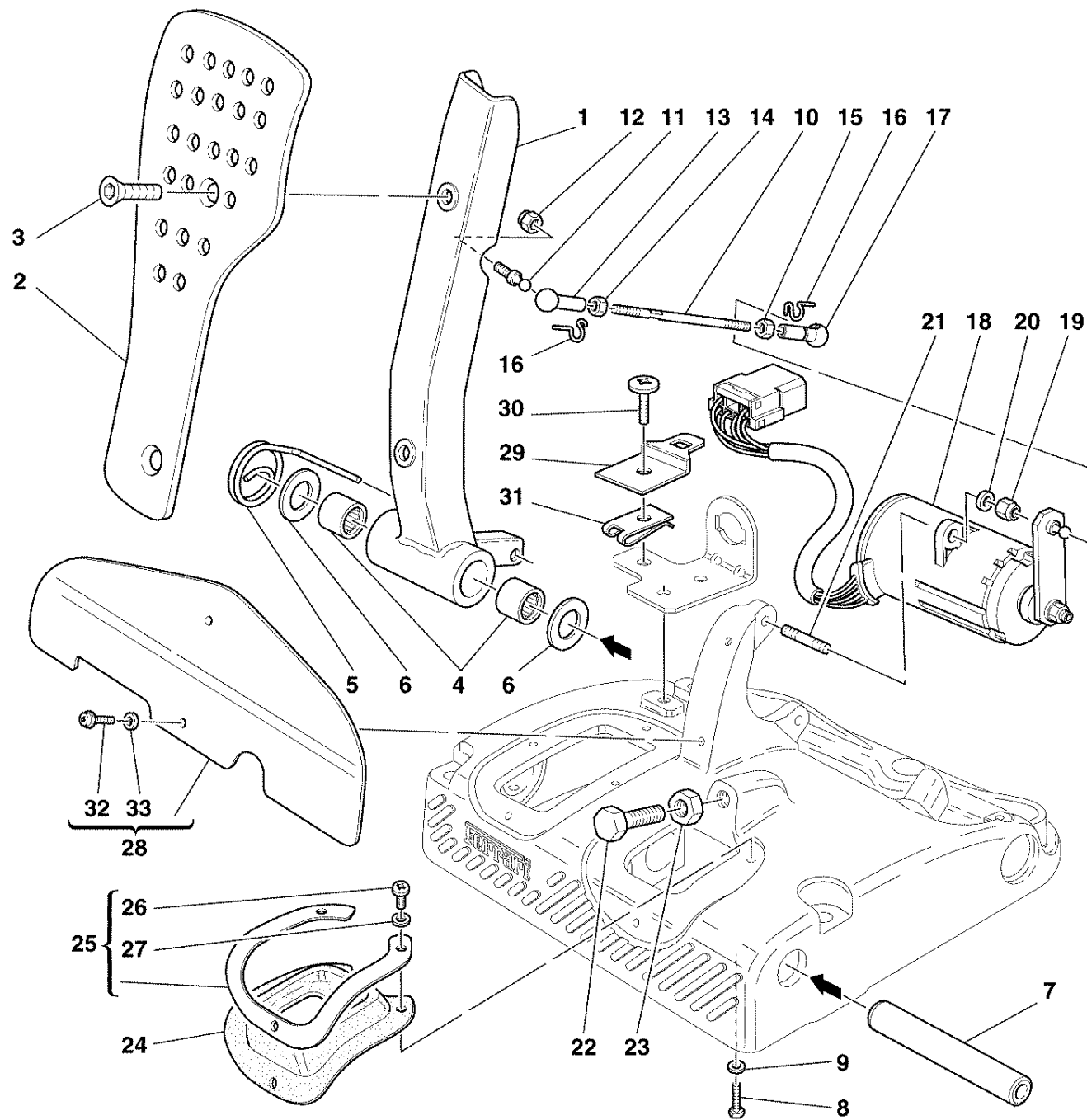
1	191038	1	COMPLETE PLENUM CHAMBER
2	196001	1	CAVALLINO RAMPANTE
3	11500824	18	STUD
4	195510	2	UNION -M14x1,25-
5	195508	4	UNION -M8x1-
6	195509	2	UNION -M6x1-
7	190716	2	GASKET
8	186402	2	COMPLETE SUCTION MANIFOLD
9	159601	18	NUT
10	185659	1	FRONT SENSORS FIXING BRACKET
11	14305587	1	SCREW
12	169037	1	SPACER
13	14305187	1	SCREW
14	12644424	4	WASHER
15	185660	1	REAR SENSORS FIXING BRACKET
16	184647	4	GASKET
17	14305624	8	SCREW
18	11197774	24	WASHER
19	102725	8	CENTERING DOWEL
20	14305524	16	SCREW
21	11500124	12	STUD
22	182426	2	THREADED UNION
23	10261060	2	GASKET
24	10441490	11	BRACKET WITH SHEATH
24	10441790	3	BRACKET WITH SHEATH
25	14305724	2	SCREW
26	11197774	2	WASHER
27	102741	12	NUT
28	14496424	12	WASHER
29	186563	2	VARIATOR CONTROL SOLENOID VALVE
30	14305724	2	SCREW
31	11197774	2	WASHER

Enzo Ferrari - 13 - AIR INTAKE AND THROTTLE BODIES



Enzo Ferrari - 13 - AIR INTAKE AND THROTTLE BODIES

1	186798	1	COMPLETE L.H. AIR FILTER BOX
1	186795	1	COMPLETE R.H. AIR FILTER BOX
2	180935	2	AIR FILTER
3	157757	8	SCREW
4	142202	4	PAD
5	15896214	4	NUT
6	127494	4	WASHER
7	12643724	4	WASHER
8	12640624	12	WASHER
9	66586300	1	L.H. AIR INLET
9	66586400	1	R.H. AIR INLET
10	66926200	1	L.H. AIR INLET GRILL
10	66926100	1	R.H. AIR INLET GRILL
11	14304124	12	SCREW
12	12637824	12	WASHER
13	12601174	12	WASHER
14	185510	2	AIR CONVEYOR GASKET
15	16043934	4	SCREW
16	127496	4	WASHER
17	14496524	4	WASHER
18	180045	2	AIR FLOW METER
19	190151	4	CLAMP
20	187156	2	CONNECTION SLEEVE
21	179912	2	THROTTLE HOLDER
22	14305924	8	SCREW
23	11197774	8	WASHER
24	195206	2	SPACER
25	190151	2	CLAMP
26	191267	2	RUBBER THICKNESS
27	150302	2	GASKET



Enzo Ferrari - 14 - ELECTRONIC ACCELERATOR PEDAL

1	186047	1	ACCELERATOR PEDAL
2	192618	1	ACCELERATOR PEDAL COVER
2	193708	1	ACCELERATOR PEDAL COVER
			-As an alternative-
3	14441424	2	SCREW
4	101677	2	ROLLER BEARING
5	175351	1	SPRING
6	157115	2	SPACER WASHER
7	171468	1	ROLLER CAGE RACE
8	10977724	1	SCREW
9	11181574	1	WASHER
10	171466	1	PUSH ROD
11	15151911	1	JOINT PIN
12	169180	1	NYLON NUT
13	173999	1	BALL JOINT HEAD
14	15896470	1	NUT
15	105586	1	NUT
16	174001	2	CLIP
17	174000	1	BALL JOINT HEAD
18	170038	1	ACCELERATOR PEDAL POTENTIOMETER
19	102948	2	NYLON NUT
20	12639724	2	WASHER
21	13586124	2	STUD
22	16043624	1	SCREW
23	16102314	1	NUT
24	186802	1	ACCELERATOR PEDAL BELLOWS
25	186800	1	PLATE
26	13271872	3	SCREW
27	12601074	3	WASHER
28	193121	1	AESTHETIC SHIELD
29	170925	1	CONNECTOR FIXING BRACKET
30	14063314	1	SCREW
31	14371274	1	BRACKET
32	13271872	2	SCREW
33	12601074	2	WASHER