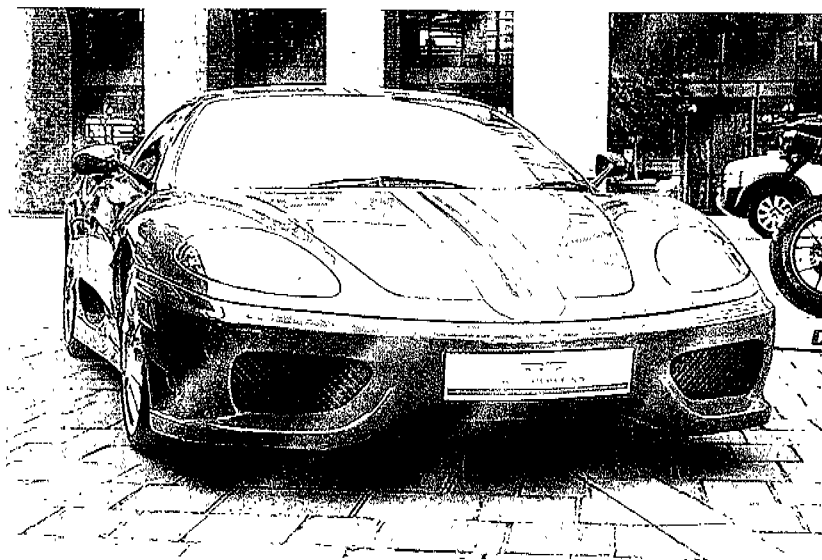
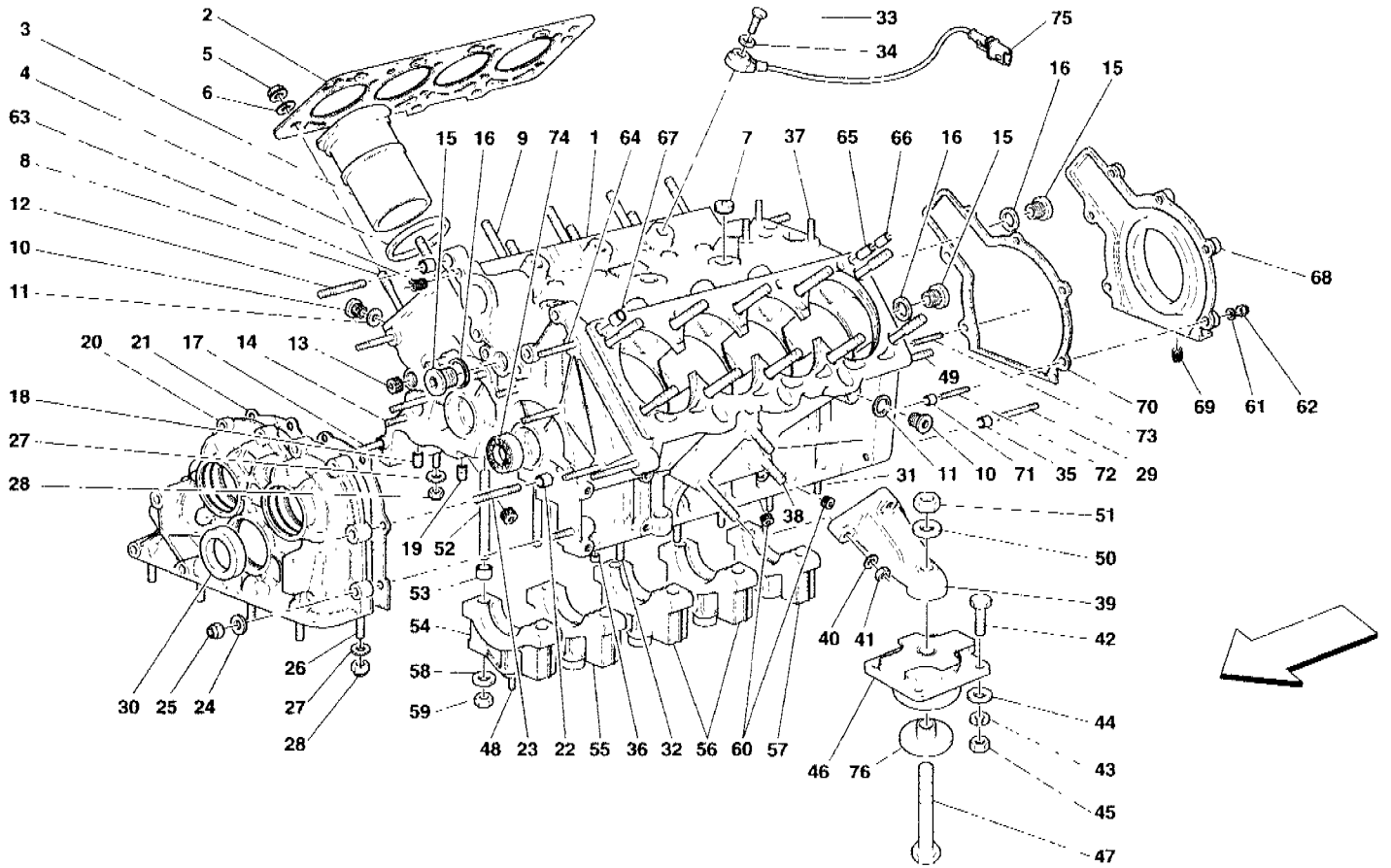


Ferrari Challenge Stradale



Challenge Stradale - 1 - CRANKCASE

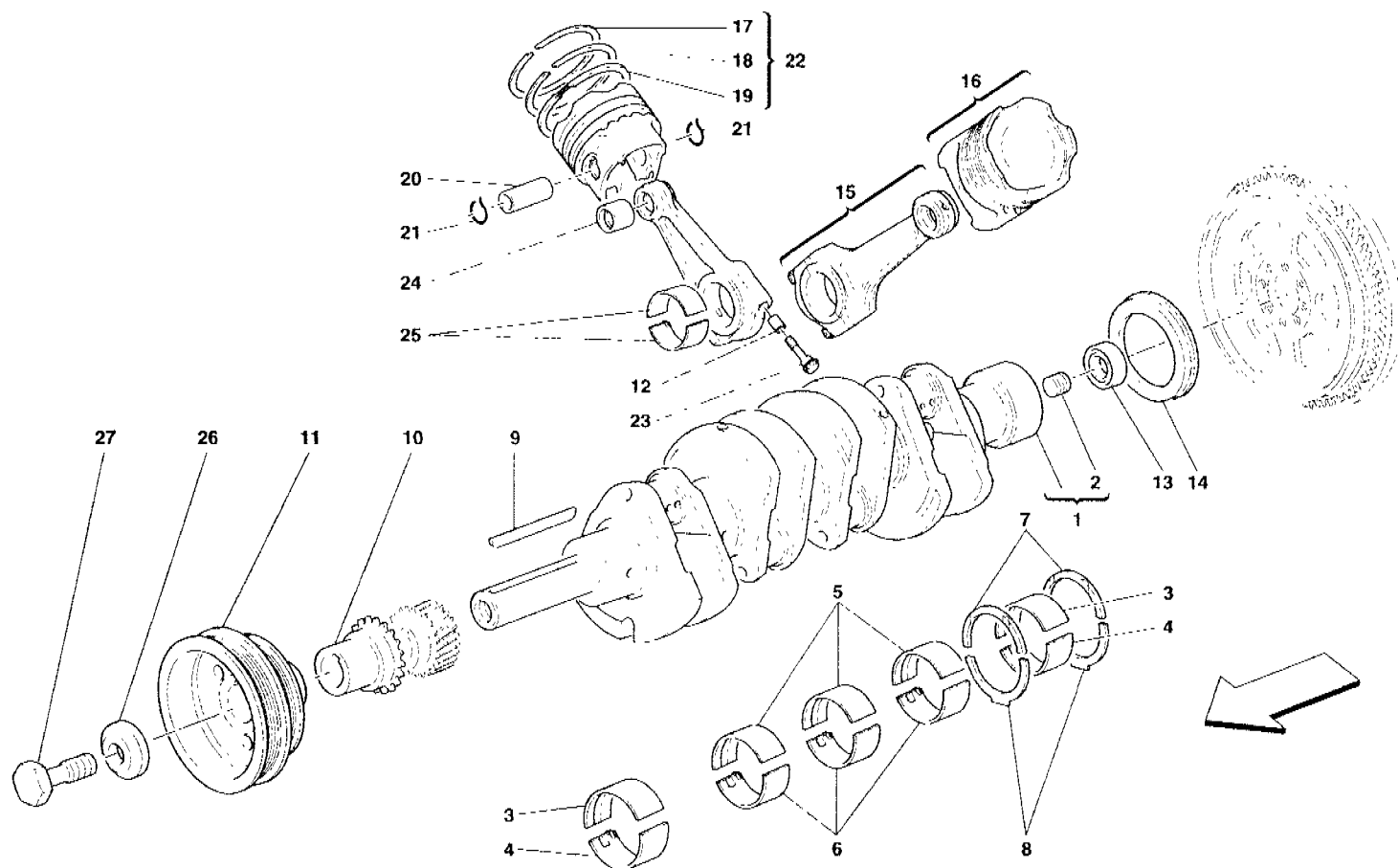


Challenge Stradale - 1 - CRANKCASE

**	201697	1	COMPLETE CRANKCASE
1	201217	1	CRANKCASE -Not as spare part- -With the complete crankcase-
2	174853	2	GASKET
3	136875	8	CYLINDERS LINER
4	136258	8	GASKET
5	148093	20	NUT
6	176208	8	WASHER -Crankcase front and rear side-
6	151117	12	WASHER -Crankcase central side-
7	14325540	3	THREADED PLUG
8	176148	8	STUD -Crankcase front and rear side-
9	148311	12	STUD -Crankcase central side-
10	200988	2	WATER OUTLET PLUG
11	10280060	2	GASKET
12	13544034	1	STUD
13	14325140	1	THREADED PLUG
14	13543424	5	STUD
15	10275011	3	THREADED PLUG
16	10263460	3	GASKET
17	13544024	1	STUD
18	13525870	3	THREADED INSERT
19	13525770	1	THREADED INSERT
20	169754	1	FRONT COVER -Not as spare part- -With the complete crankcase-
21	153921	1	GASKET
22	100041	2	DOWEL
23	13543624	1	STUD
24	12601374	9	WASHER
25	101139	9	NUT
26	13543524	6	STUD
27	12604474	18	WASHER
28	101139	18	NUT
29	13547034	4	STUD
30	163985	1	GASKET
31	13543524	8	STUD
32	13543624	4	STUD
33	16043834	4	SCREW
34	11198074	4	WASHER
35	165351	2	CENTERING DOWEL
36	102725	2	DOWEL
37	13543524	3	STUD
38	13546624	4	STUD
38	13547124	2	STUD -Right side support-
39	183804	2	ENGINE FIXING SUPPORT
40	11190574	6	WASHER
41	133988	6	NUT
42	15970734	8	SCREW
43	127497	8	WASHER
44	12646824	8	WASHER
45	133988	8	NUT
46	190255	2	FLEXIBLE PAD
47	11369634	2	SCREW
48	13516624	4	STUD
49	13547234	2	STUD
50	12601774	2	WASHER
51	176573	2	NUT
52	180263	10	STUD
53	125317	10	CENTERING DOWEL
54	152158	1	FRONT HAT -Not as spare part- -With the complete crankcase-

55	152159	1	FRONT INTERMEDIATE HAT -Not as spare part- -With the complete crankcase-
56	152098	2	INTERMEDIATE CENTRAL AND REAR HAT -Not as spare part- -With the complete crankcase-
57	152099	1	REAR HAT -Not as spare part- -With the complete crankcase-
58	103842	10	WASHER
59	103841	10	NUT
60	164400	2	THREADED PLUG
61	12620474	6	WASHER
62	15896214	6	NUT
63	13525870	4	THREADED INSERT
64	13544024	2	STUD
65	156862	2	NONRETURN VALVE
66	175644	2	REAR DOWEL
67	173479	2	FRONT DOWEL
68	170527	1	REAR COVER -Not as spare part- -With the complete crankcase-
69	13525570	2	THREADED INSERT
70	170529	1	GASKET
71	103038	2	DOWEL
72	13541124	2	STUD
73	13540824	4	STUD
74	171177	2	BEARING
75	177672	2	SENSOR FOR FIRING
76	182141	2	RETAINING WASHER

Challenge Stradale - 2 - DRIVING SHAFT - CONNECTING RODS AND PISTONS

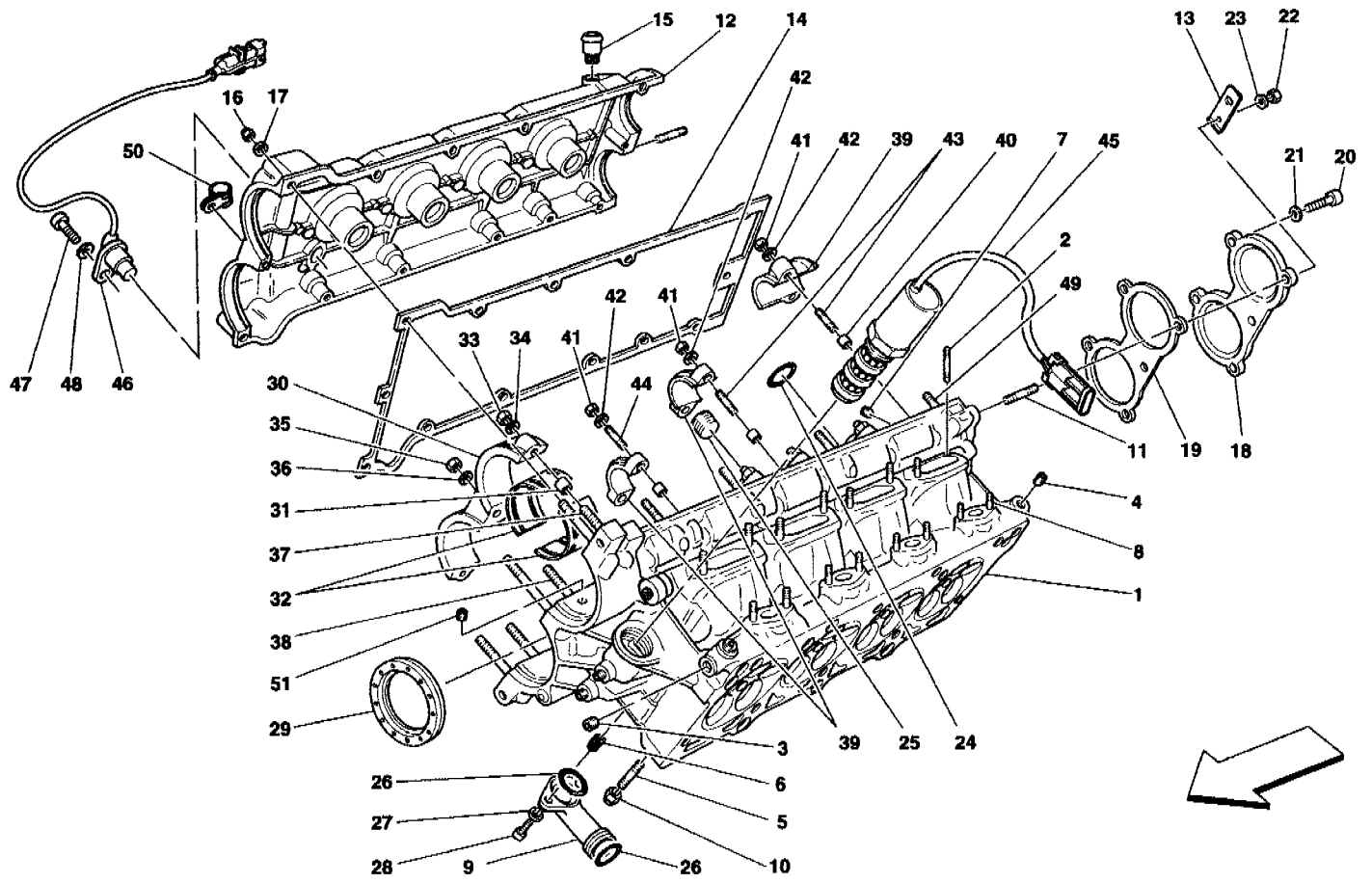


Challenge Stradale - 2 - DRIVING SHAFT - CONNECTING RODS AND PISTONS

1	178481	1	CRANKSHAFT
2	176396	1	THREADED PLUG
*	180694	1	HALF-BEARINGS COMPLETE SERIES -STANDARD SIZE-
*	180695	1	HALF-BEARINGS COMPLETE SERIES -1st OVERSIZE mm. 0,254-
*	180696	1	HALF-BEARINGS COMPLETE SERIES -2nd OVERSIZE mm. 0,508-
3	173558	2	FRONT AND REAR UPPER HALF BEARING -Not as spare part-
3	173559	-	-With the half-bearings complete series- FRONT AND REAR UPPER HALF BEARING OVERSIZE -1st OVERSIZE mm. 0,254-
3	173560	-	-Not as spare part- -With the half-bearings complete series- FRONT AND REAR UPPER HALF BEARING OVERSIZE -2nd OVERSIZE mm. 0,508-
4	173554	2	-Not as spare part- -With the half-bearings complete series- FRONT AND REAR LOWER HALF BEARING
4	173555	-	-Not as spare part- -With the half-bearings complete series- FRONT AND REAR LOWER HALF BEARING OVERSIZE -1st OVERSIZE mm. 0,254-
4	173556	-	-Not as spare part- -With the half-bearings complete series- FRONT AND REAR LOWER HALF BEARING OVERSIZE -2nd OVERSIZE mm. 0,508-
5	173562	3	-Not as spare part- -With the half-bearings complete series- UPPER INTERMEDIATE HALF BEARING
5	173563	-	-Not as spare part- -With the half-bearings complete series- UPPER INTERMEDIATE HALF BEARING OVERSIZE -1st OVERSIZE mm. 0,254-
5	173564	-	-Not as spare part- -With the half-bearings complete series- UPPER INTERMEDIATE HALF BEARING OVERSIZE -2nd OVERSIZE mm. 0,508-
6	173566	3	-Not as spare part- -With the half-bearings complete series- INTERMEDIATE LOWER HALF BEARING
6	173567	-	-Not as spare part- -With the half-bearings complete series- INTERMEDIATE LOWER HALF BEARING OVERSIZE -1st OVERSIZE mm. 0,254-
6	173568	-	-Not as spare part- -With the half-bearings complete series- INTERMEDIATE LOWER HALF BEARING OVERSIZE -2nd OVERSIZE mm. 0,508-
7	164111	2	-Not as spare part- -With the half-bearings complete series- UPPER SHIM
7	164112	-	-Not as spare part- -With the half-bearings complete series- UPPER SHIM

			1st OVERSIZE mm. 0,127
			-Not as spare part-
7	164113	-	-With the half-bearings complete series- UPPER SHIM
			2nd OVERSIZE mm. 0,254
			-Not as spare part-
8	164108	2	-With the half-bearings complete series- LOWER SHIM
			-Not as spare part-
8	164109	-	-With the half-bearings complete series- LOWER SHIM
			1st OVERSIZE mm. 0,127
			-Not as spare part-
8	164110	-	-With the half-bearings complete series- LOWER SHIM
			2nd OVERSIZE mm. 0,254
			-Not as spare part-
			-With the half-bearings complete series-
9	151289	1	KEY
10	176643	1	OIL PUMP CONTROL GEAR
11	178738	1	DRIVING SHAFT PULLEY
12	177390	16	BUSHING
13	103877	1	BEARING
14	163989	1	SEAL RING
			-Not as spare part-
			-Replaced by 200323-
14	200323	1	SEAL RING
15	196976	8	COMPLETE CONNECTING ROD AND CAP
			-Not as spare part-
			-Replaced by 212652-
15	212652	8	COMPLETE CONNECTING ROD AND CAP
16	200211	8	PISTON WITH RINGS
17	160813	8	AC SEAL RING (1st groove)
			-Not as spare part-
			-With the pistons rings set-
18	152991	8	AC SEAL RING (2nd groove)
			-Not as spare part-
			-With the pistons rings set-
19	132773	8	ROF OIL SCRAPING RING (3rd groove)
			-Not as spare part-
			-With the pistons rings set-
20	154717	8	PIN
21	166901	16	STOP RING
22	164026	8	PISTONS RINGS SET
23	177159	16	CONNECTING ROD TIGHTENING SCREW
24	174701	8	BUSHING
25	193622	16	CONNECTING ROD HALF BEARING
25	173551	16	CONNECTING ROD HALF BEARING
			1st OVERSIZE mm. 0,254
25	173552	16	CONNECTING ROD HALF BEARING
			2nd OVERSIZE mm. 0,508
26	138792	1	WASHER
27	176583	1	SCREW

Challenge Stradale - 3 - R.H. CYLINDER HEAD

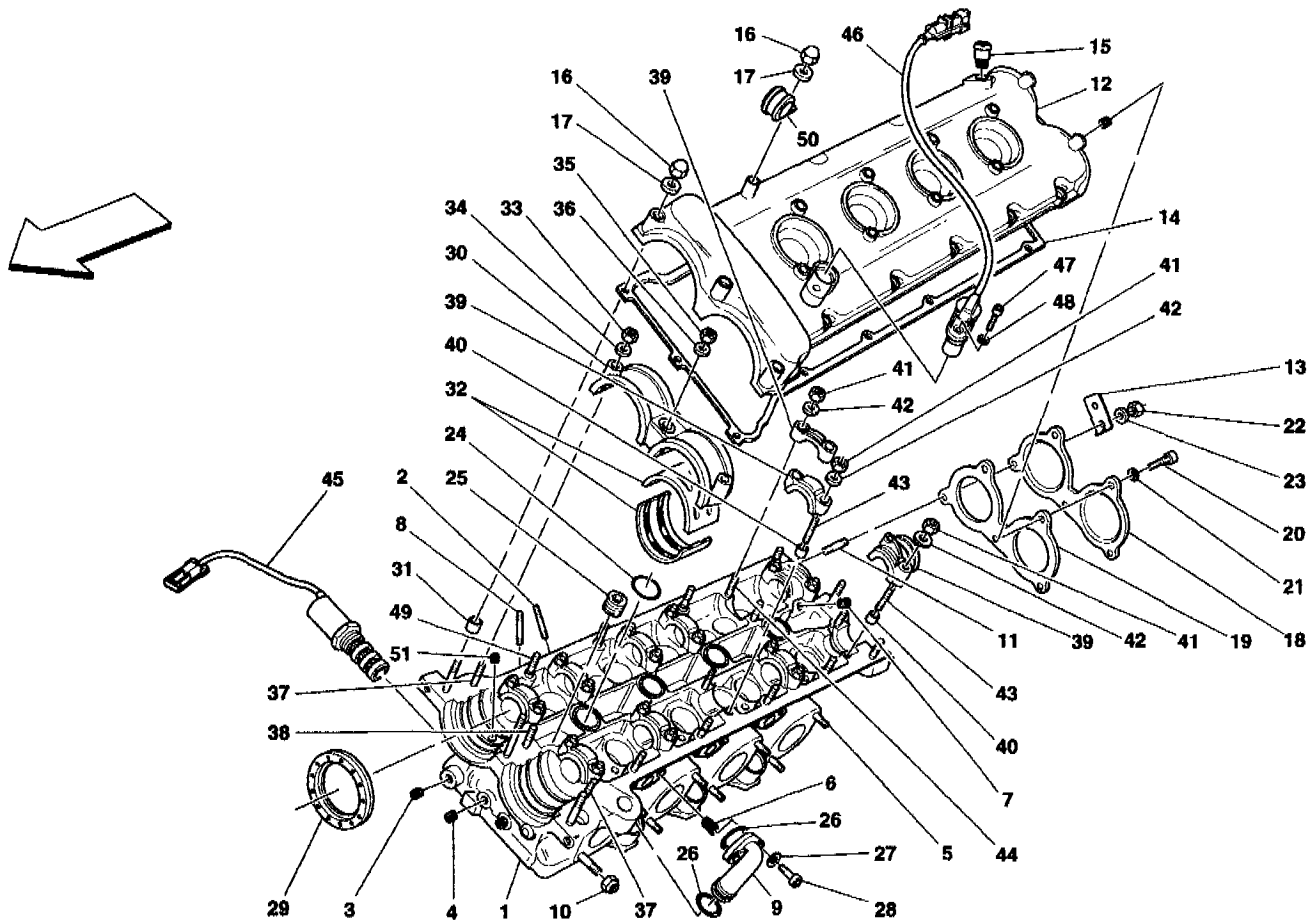


Challenge Stradale - 3 - R.H. CYLINDER HEAD

*	201698	1	COMPLETE R.H. CYLINDERS HEAD -Valid till engine Nr. 78048-
*	206490	1	COMPLETE R.H. CYLINDERS HEAD -Valid from engine Nr. 78049-
1	199712	1	R.H. HEAD -Not as spare part- -With the complete cylinders head 201698- -Valid till engine Nr. 78048-
1	204696	1	R.H. HEAD -Not as spare part- -With the complete cylinders head 206490- -Valid from engine Nr. 78049-
2	13541224	8	STUD
3	14326101	9	THREADED PLUG
4	14326001	3	THREADED PLUG
5	13543324	8	STUD
6	13525170	6	THREADED INSERT
7	141563	2	THREADED PLUG
8	11500224	8	STUD
9	151485	3	OIL EXHAUST DUCTING
10	138392	8	NUT
11	13541024	3	STUD
12	176450	1	R.H. CYLINDERS HEAD COVER -Not as spare part- -With the complete cylinders head 201698-
13	178316	1	BRACKET
14	173540	1	GASKET
15	173985	1	UNION
16	151230	13	NUT
17	12604274	13	WASHER
18	177019	1	REAR SMALL COVER
19	177055	1	COVER GASKET
20	14432224	2	SCREW
21	12604274	2	WASHER
22	102741	3	NUT
23	12601274	3	WASHER
24	167135	4	O.R. GASKET
25	127635	5	THREADED PLUG
26	147278	6	O.R. GASKET
27	12601174	6	WASHER
28	14304224	6	SCREW -Not as spare part- -Replaced by 212538-
28	212538	6	SCREW
29	187140	2	SEAL RING
30	173784	1	FRONT SUPPORT -Not as spare part- -With the complete cylinders head 201698-
31	102725	2	CENTERING DOWEL
32	182694	4	HALF BEARING
33	15896211	2	NUT
34	11197774	2	WASHER
35	16100814	1	NUT
36	11193874	1	WASHER
37	13541724	2	STUD
38	13543424	1	STUD
39	---	11	CAP -Not as spare part- -With the complete cylinders head 201698-
40	102725	22	CENTERING DOWEL
41	15896211	22	NUT
42	11197774	22	WASHER
43	13541321	14	STUD

44	• 13541321	8	STUD FOR INTAKE SIDE INTERMEDIATE CAP
45	182260	1	VARIATOR CONTROL SOLENOID VALVE -Valid till stock exhaustion-
45	195086	1	VARIATOR CONTROL SOLENOID VALVE -Valid after stock exhaustion of 182260-
46	177673	1	PHASE SENSOR
47	14305724	1	SCREW
48	12601274	1	WASHER
49	13541124	5	STUD
49	13541324	3	STUD
49	13542024	1	STUD
49	13541724	1	STUD
49	13541824	1	STUD
49	13541624	1	STUD
49	11500624	1	STUD
50	10441890	1	BRACKET WITH SHEATH
51	198823	2	THREADED PLUG -Valid from engine Nr. 78049-

Challenge Stradale - 4 - L.H. CYLINDER HEAD

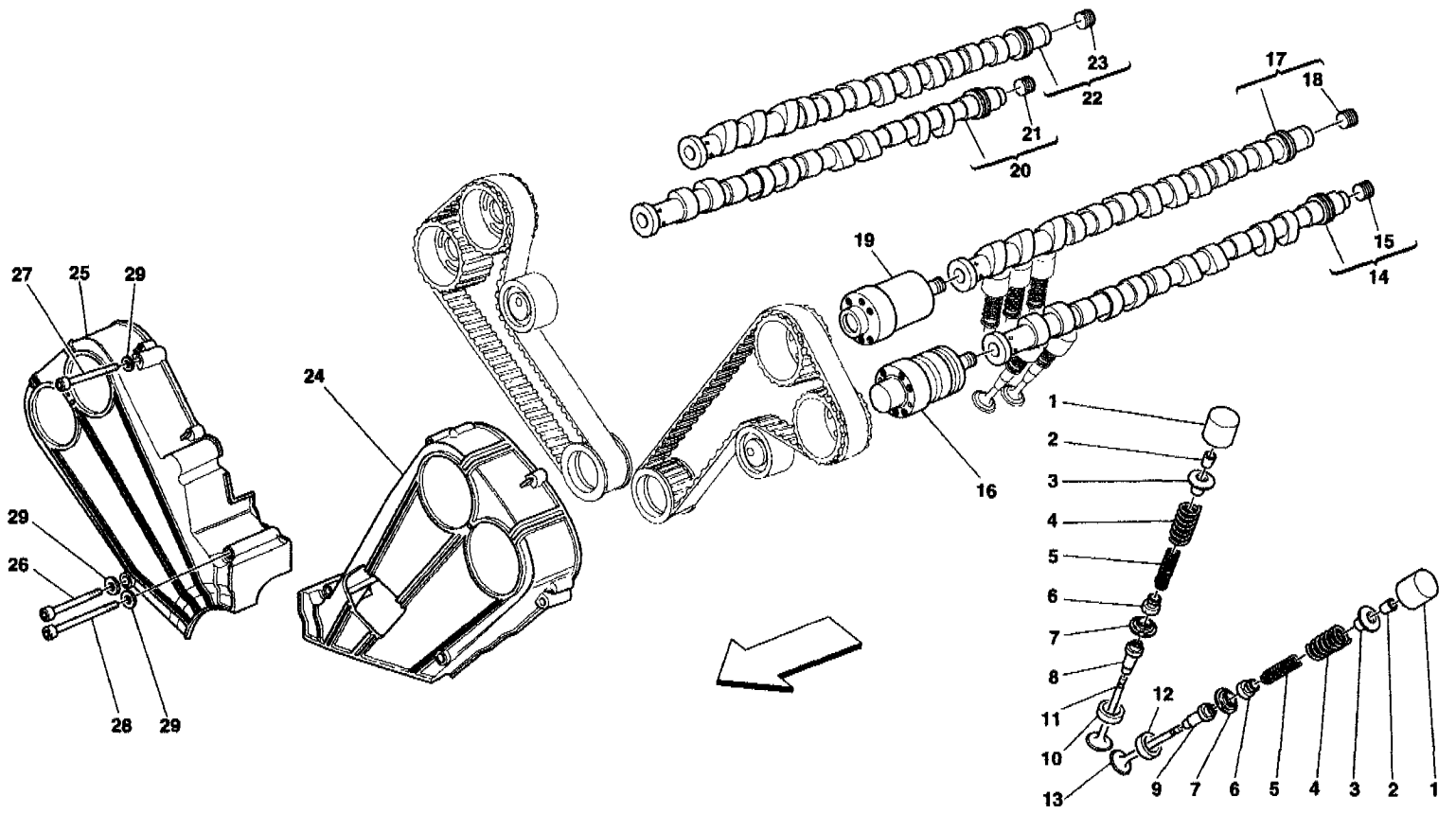


Challenge Stradale - 4 - L.H. CYLINDER HEAD

*	201699	1	COMPLETE L.H. CYLINDERS HEAD -Valid till engine Nr. 78048-
*	206491	1	COMPLETE L.H. CYLINDERS HEAD -Valid from engine Nr. 78049-
1	199714	1	L.H. HEAD -Not as spare part- -With the complete cylinders head 201699- -Valid till engine Nr. 78048-
1	204697	1	L.H. HEAD -Not as spare part- -With the complete cylinders head 206491- -Valid from engine Nr. 78049-
2	13541224	8	STUD
3	14326101	9	THREADED PLUG
4	14326001	3	THREADED PLUG
5	13543324	8	STUD
6	13525170	6	THREADED INSERT
7	141563	2	THREADED PLUG
8	11500224	8	STUD
9	151485	3	OIL EXHAUST DUCTING
10	138392	8	NUT
11	13541024	3	STUD
12	176479	1	L.H. CYLINDERS HEAD COVER -Not as spare part- -With the complete cylinders head 201699-
13	178316	1	BRACKET
14	173541	1	GASKET
15	173985	1	UNION
16	151230	13	NUT
17	12604274	13	WASHER
18	177019	1	REAR SMALL COVER
19	177055	1	COVER GASKET
20	14432224	2	SCREW
21	12604274	2	WASHER
22	102741	3	NUT
23	12601274	3	WASHER
24	167135	4	O.R. GASKET
25	127635	5	THREADED PLUG
26	147278	6	O.R. GASKET
27	12601174	6	WASHER
28	14304224	6	SCREW -Not as spare part- -Replaced by 212538-
28	212538	6	SCREW
29	187140	2	SEAL RING
30	173784	1	FRONT SUPPORT -Not as spare part- -With the complete cylinders head 201699-
31	102725	2	CENTERING DOWEL
32	182694	4	HALF BEARING
33	15896211	2	NUT
34	11197774	2	WASHER
35	16100814	1	NUT
36	11193874	1	WASHER
37	13541724	2	STUD
38	13543424	1	STUD
39	---	11	CAP -Not as spare part- -With the complete cylinders head 201699-
40	102725	22	CENTERING DOWEL
41	15896211	22	NUT
42	11197774	22	WASHER
43	13541321	14	STUD

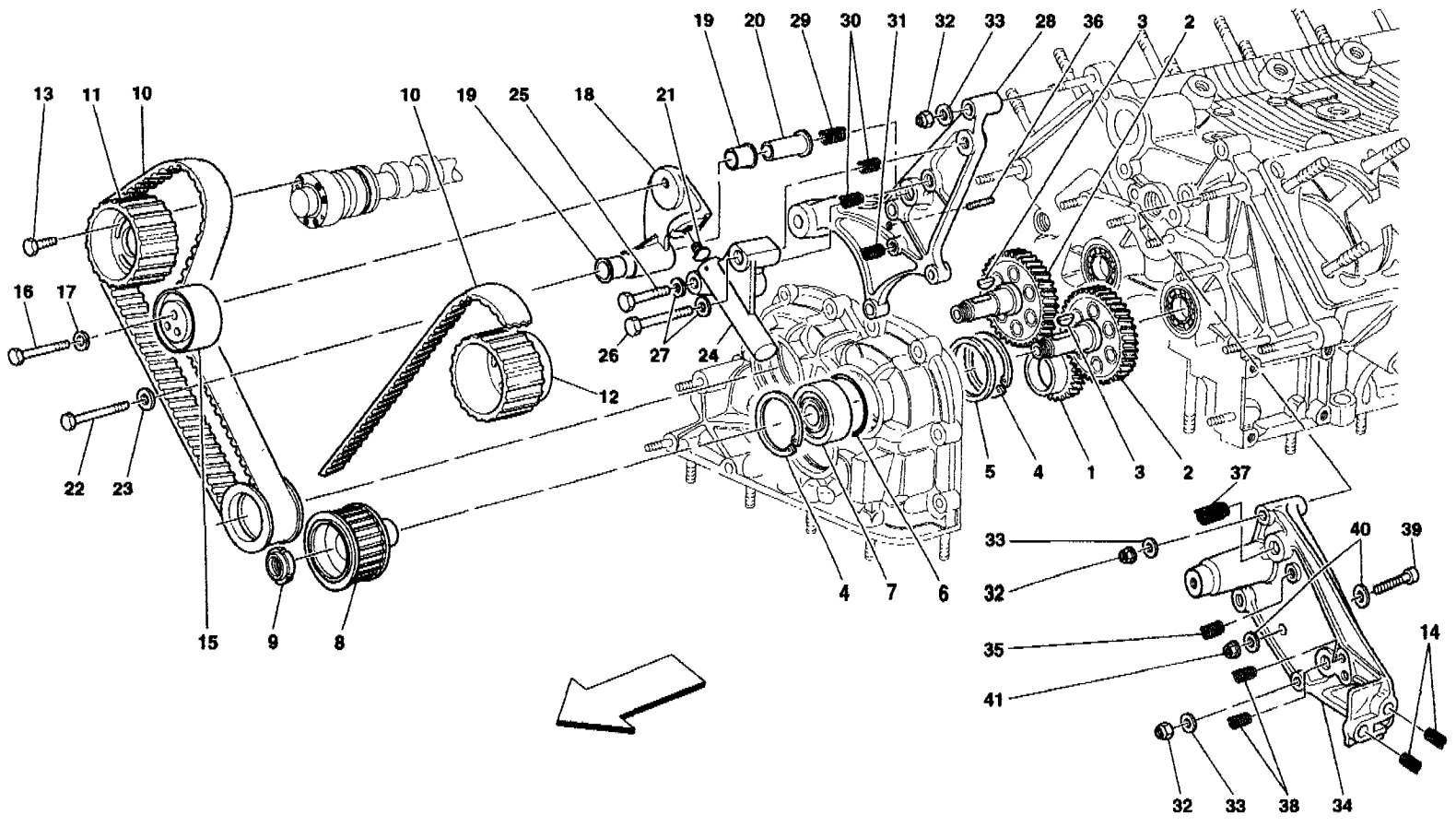
44	13541321	8	STUD FOR INTAKE SIDE INTERMEDIATE CAP
45	182260	1	VARIATOR CONTROL SOLENOID VALVE
45	195086	1	-Valid till stock exhaustion- VARIATOR CONTROL SOLENOID VALVE
46	177673	1	-Valid after stock exhaustion of 182260- PHASE SENSOR
47	14305724	1	SCREW
48	12601274	1	WASHER
49	13541124	5	STUD
49	13541324	2	STUD
49	13541724	2	STUD
49	13541824	1	STUD
49	13542024	1	STUD
49	13541624	1	STUD
49	11500624	1	STUD
50	10441890	1	BRACKET WITH SHEATH
51	198823	2	THREADED PLUG
			-Valid from engine Nr. 78049-

Challenge Stradale - 5 - TIMING - TAPPETS AND SHIELDS



Challenge Stradale - 5 - TIMING - TAPPETS AND SHIELDS

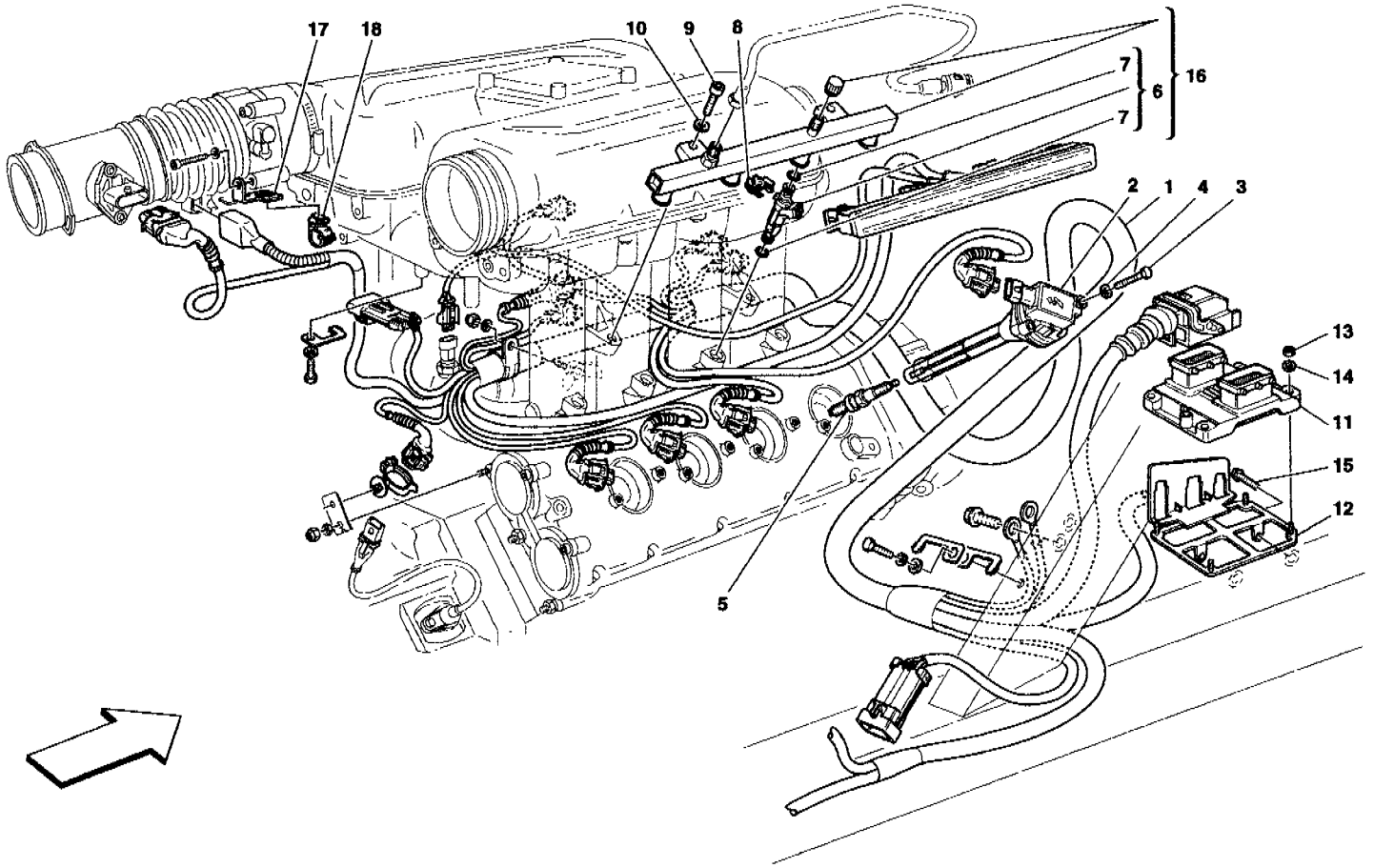
1	195017	40	TAPPET FOR VALVE CONTROL
2	157986	80	COTTER FOR VALVE SPRING
3	157989	40	UPPER CUP
4	180192	40	OUTER SPRING FOR VALVE RETURN
5	180208	40	INNER SPRING FOR VALVE RETURN
6	148153	40	OIL RING
7	199084	40	LOWER CUP
7	199104	40	LOWER CUP -OVERSIZED-
8	172328	24	INTAKE VALVE GUIDE
8	172452	24	INTAKE VALVE GUIDE -OVERSIZED-
9	172329	16	EXHAUST VALVE GUIDE
9	172453	16	EXHAUST VALVE GUIDE -OVERSIZED-
10	179281	24	INTAKE VALVE SEAT
11	175157	24	INTAKE VALVE
12	173433	16	EXHAUST VALVE SEAT
13	157988	16	EXHAUST VALVE
14	180191	1	COMPLETE L.H. EXHAUST CAM SHAFT -Valid till stock exhaustion-
14	206081	1	COMPLETE L.H. EXHAUST CAM SHAFT
15	10269550	1	THREADED PLUG
16	190042	2	EXHAUST PHASE VARIATOR
17	180190	1	COMPLETE L.H. INDUCTION DISTRIBUTION CAM SHAFT -Valid till stock exhaustion-
17	206080	1	COMPLETE L.H. INDUCTION DISTRIBUTION CAM SHAFT
18	10269550	1	THREADED PLUG
19	176101	2	BUSHING
20	176757	1	COMPLETE R.H. EXHAUST CAM SHAFT -Valid till stock exhaustion-
20	206079	1	COMPLETE R.H. EXHAUST CAM SHAFT
21	10269550	1	THREADED PLUG
22	176266	1	COMPLETE R.H. INDUCTION DISTRIBUTION CAM SHAFT -Valid till stock exhaustion-
22	206078	1	COMPLETE R.H. INDUCTION DISTRIBUTION CAM SHAFT
23	10269550	1	THREADED PLUG
24	180305	1	L.H. COVER
25	169736	1	R.H. COVER
26	156829	2	SCREW
27	167266	4	SCREW
28	156839	2	SCREW
29	12604274	8	WASHER



Challenge Stradale - 6 - TIMING - CONTROLS

1	160598	1	DRIVING GEAR
2	181984	2	DRIVEN GEAR
3	10206320	2	DISC KEY
4	11060576	4	SEEGER RING
5	133377	2	WASHER
6	136140	2	O.R. GASKET
7	170787	2	BEARING
8	154238	2	DRIVING PULLEY
9	104919	2	RING NUT
10	181610	2	TIMING CONTROL BELT -Valid till stock exhaustion-
10	184986	2	TIMING CONTROL BELT
11	169154	2	R.H. EXHAUST INDUCTION DISTRIBUTION PULLEY
12	169153	2	L.H. EXHAUST INDUCTION DISTRIBUTION PULLEY
13	181336	16	SCREW
14	13525770	2	THREADED INSERT
15	181264	2	BELT TIGHTENING PULLEY
16	11307024	2	SCREW
17	127497	2	WASHER
18	181253	2	BELT TIGHTENER ARM
19	159425	4	BUSHING
20	158138	2	BUSHING
21	158156	2	PAWL
22	11288034	2	SCREW
23	184318	2	WASHER
24	157356	1	R.H. HYDRAULIC TIGHTENER
24	192920	1	L.H. HYDRAULIC TIGHTENER -Valid till engine Nr.83761-
24	202784	1	L.H. HYDRAULIC TIGHTENER -Valid from engine Nr.83762-
25	125506	2	SCREW -Not as spare part- -Replaced by 205693-
25	205693	2	SCREW
26	16044234	2	SCREW -Not as spare part- -Replaced by 185234-
26	185234	2	SCREW
27	12601374	4	WASHER
28	179635	1	UPPER BRACKET FOR GENERATOR SUPPORT
29	13526170	1	THREADED INSERT
30	13525870	2	THREADED INSERT
31	13525570	1	THREADED INSERT
32	101139	4	NUT -M 8X8-
32	177778	2	NUT -M 8x7-
33	12601374	3	WASHER
34	181822	1	BELT TIGHTENER SUPPORT AND A.C. COMPRESSOR -Valid till engine Nr.83761-
34	202786	1	BELT TIGHTENER SUPPORT AND A.C. COMPRESSOR -Valid from engine Nr.83762-
35	13525570	1	THREADED INSERT
36	11499924	1	STUD
37	13526170	1	THREADED INSERT
38	13525870	2	THREADED INSERT
39	14306424	1	SCREW -Valid from engine Nr.82119-
40	12604474	2	WASHER -Valid from engine Nr.82119-
41	177778	1	NUT -Valid from engine Nr.82119-

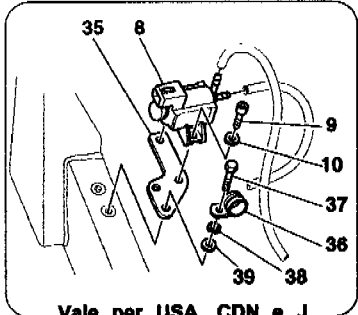
Challenge Stradale - 7 - INJECTION DEVICE - IGNITION



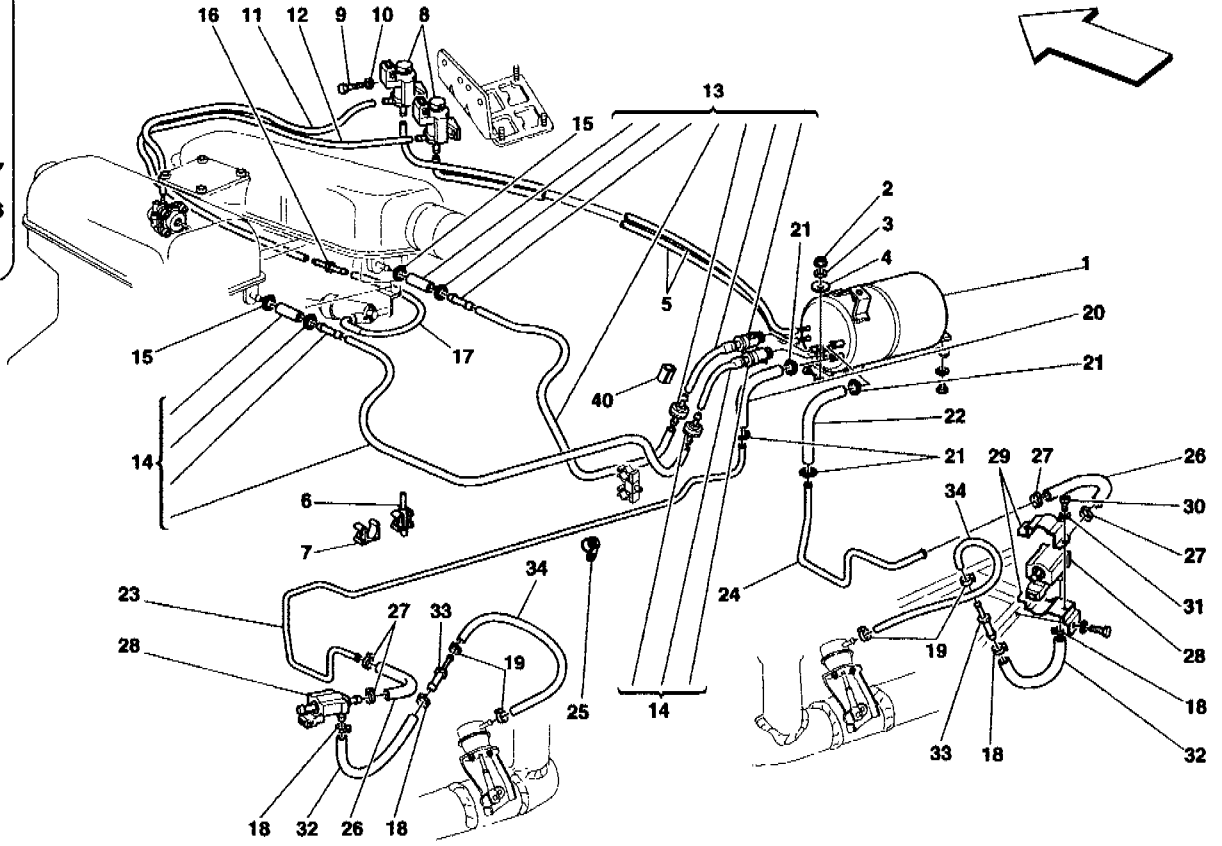
Challenge Stradale - 7 - INJECTION DEVICE - IGNITION

1	199873	1	R.H. SIDE ENGINE INJECTION CABLES -Not for USA and CDN-
1	199875	1	R.H. SIDE ENGINE INJECTION CABLES -Valid for USA and CDN-
1	199874	1	L.H. SIDE ENGINE INJECTION CABLES -Not for USA and CDN-
1	199876	1	L.H. SIDE ENGINE INJECTION CABLES -Valid for USA and CDN-
2	177074	8	SINGOL IGNITION COIL
3	10902534	16	SCREW
4	12601274	16	WASHER
5	192637	8	SPARK PLUG
6	197808	8	ELECTRO-INJECTOR
7	133902	16	GASKET
8	144730	8	INJECTORS RETAINING CLIP
9	14306424	4	SCREW
10	12601374	4	WASHER
11	198309	2	CONTROL UNIT IGNITION -Not for USA, CDN and J- -Valid till Ass. Nr.55319-
11	210116	2	CONTROL UNIT IGNITION -Not for USA, CDN and J- -Valid from Ass. Nr.55320-
11	200182	2	CONTROL UNIT IGNITION -Valid for USA, CDN and J-
12	189978	1	R.H. PLATE
12	174956	1	L.H. PLATE
13	15896470	8	NUT
14	12604174	8	WASHER
15	16286024	4	SCREW
16	198347	1	R.H. COMPLETE FUEL TUBE WITH ELECTRO-INJECTORS
16	198348	1	L.H. COMPLETE FUEL TUBE WITH ELECTRO-INJECTORS
17	179243	2	SMALL PLATE
18	178430	2	FIXING CLIP

Challenge Stradale - 8 - PNEUMATICS ACTUATOR SYSTEM



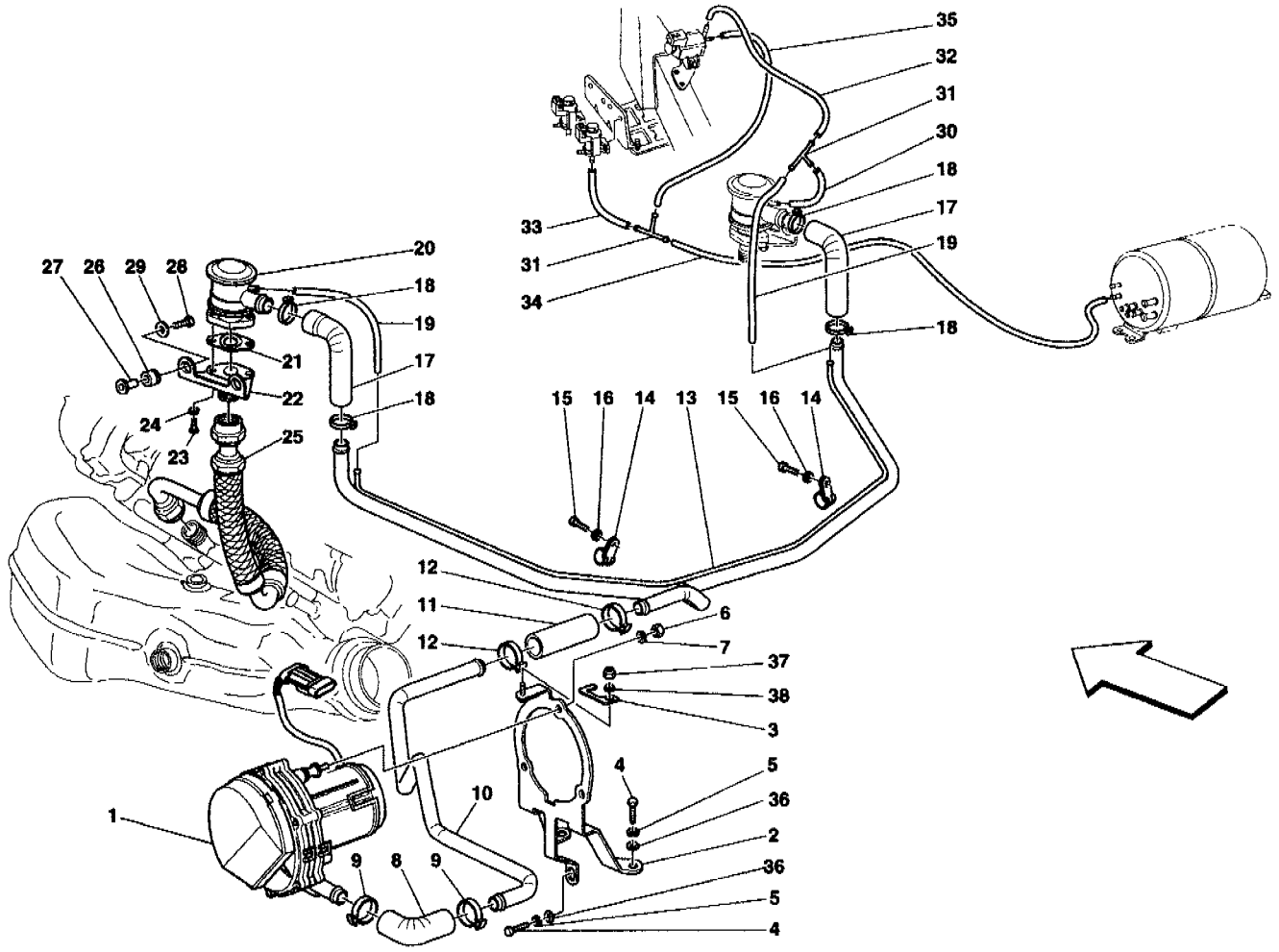
Vale per USA, CDN e J
Valid for USA, CDN and J



Challenge Stradale - 8 - PNEUMATICS ACTUATOR SYSTEM

1	195645	1	DEPRESSION ACCUMULATION TANK
2	14059211	2	NUT
3	12601274	2	WASHER
4	12639724	2	WASHER
5	122760	2	PIPE FROM TANK TO SOLENOID VALVE
6	140162	1	ANCHORAGE FOR CLIP
7	140130	1	FLEXIBLE CLIP
8	184363	2	SOLENOID VALVE -Q.ty 3 for USA, CDN and J-
9	14304124	4	SCREW
10	12601174	4	-Q.ty 6 for USA, CDN and J- WASHER
11	169692	1	-Q.ty 6 for USA, CDN and J- PIPE FROM SOLENOID VALVE TO PNEUMATIC CAPSULE
12	127893	1	PIPE FROM SOLENOID VALVE TO UNION
13	178420	1	COMPLETE R.H. DEPRESSION PIPE
14	178421	1	COMPLETE L.H. DEPRESSION PIPE
15	13434670	2	SCREW COLLAR
16	178491	1	UNION
17	168248	1	RUBBER HOSE
18	13432270	4	ELASTIC COLLAR
19	171406	4	ELASTIC COLLAR
20	178554	1	RUBBER HOSE
21	13432270	4	ELASTIC COLLAR
22	178552	1	RUBBER HOSE
23	178503	1	L.H. PIPE
24	178497	1	R.H. PIPE
25	10441190	4	BRACKET WITH SHEATH
26	178552	2	RUBBER HOSE
27	13432270	4	ELASTIC COLLAR
28	178309	2	SOLENOID VALVE
29	178515	2	SOLENOID VALVE SUPPORT
30	14302924	4	SCREW
31	127492	4	WASHER
32	178552	2	RUBBER HOSE
33	178369	2	UNION
34	147120	2	RUBBER HOSE
35	189982	1	SMALL PLATE FOR SOLENOID VALVE -Valid for USA, CDN and J-
36	10441390	2	BRACKET WITH SHEATH
37	10902424	2	SCREW
38	127494	2	WASHER
39	12644424	2	WASHER
40	152913	1	RUBBER HOSE

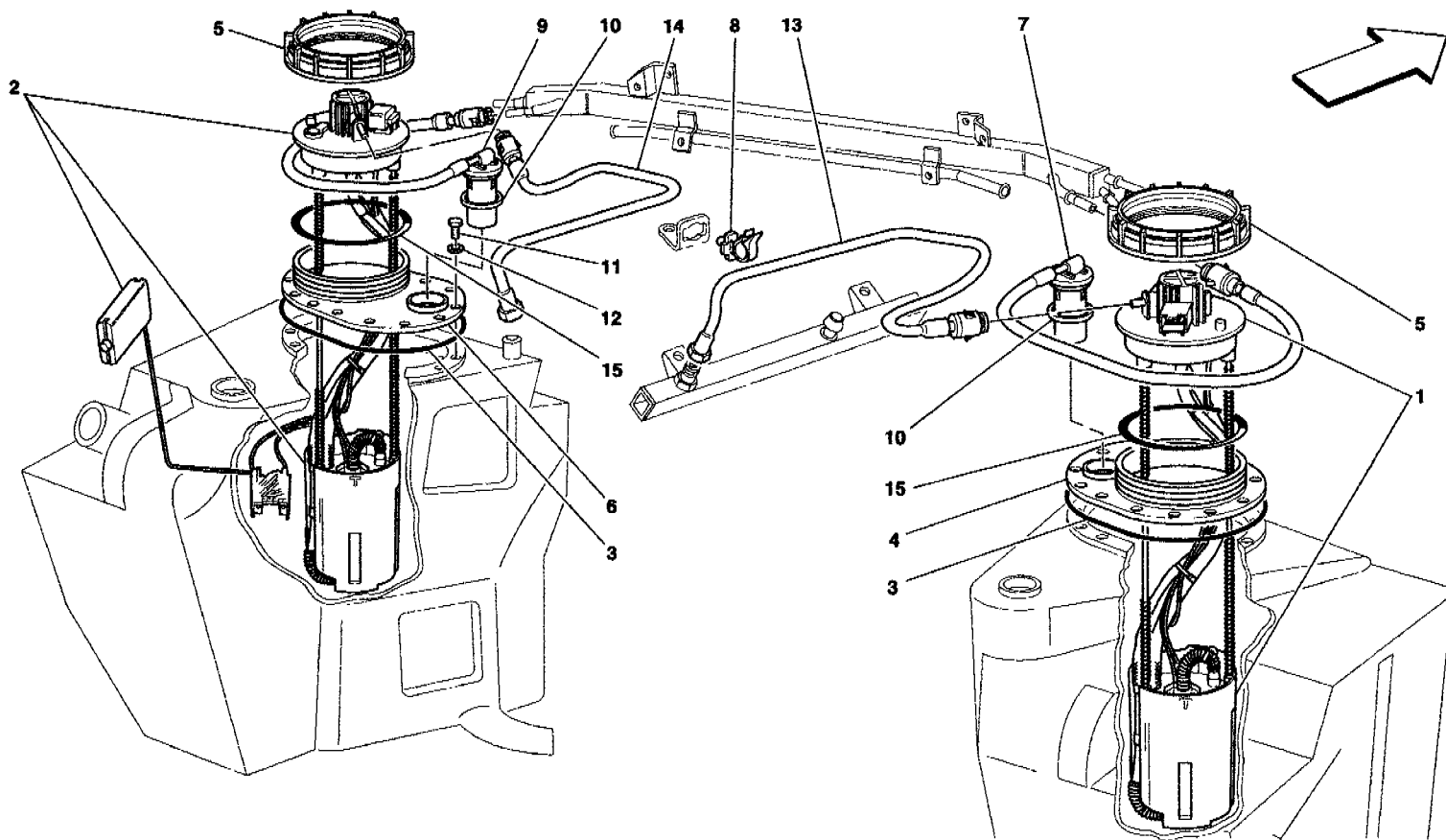
Challenge Stradale - 9 - SECONDARY AIR SYSTEM -Valid for USA, CDN and J-



Challenge Stradale - 9 - SECONDARY AIR SYSTEM -Valid for USA, CDN and J-

1	181197	1	SECONDARY AIR PUMP
2	182759	1	BRACKET FOR PUMP
3	156198	1	CLIP
4	10902624	3	SCREW
5	127494	3	WASHER
6	15896214	3	NUT
7	12601274	3	WASHER
8	181994	1	AIR PUMP CONNECTION SLEEVE
9	178054	2	CLAMP
10	181963	1	PIPE FROM PUMP TO SLEEVE
11	155116	1	SLEEVE
12	178054	2	CLAMP
13	178435	1	AIR DELIVERY TUBE
14	10441990	2	BRACKET WITH SHEATH
15	10902224	2	SCREW
16	12620474	2	WASHER
17	154652	2	SLEEVE
18	178054	4	CLAMP
19	147119	2	RUBBER HOSE
20	171175	2	SECONDARY AIR VALVE
21	172303	2	GASKET
22	184859	2	COMPLETE BRACKET
23	10902224	4	SCREW
24	127494	2	WASHER
25	178062	2	CONNECTION PIPE
26	177576	4	CABLE GROMMET
27	149707	4	SPACER
28	10902824	4	SCREW
29	12643724	4	WASHER
30	147121	1	RUBBER HOSE
31	146972	2	3-WAY UNION
32	115411	1	RUBBER HOSE
33	121828	1	RUBBER HOSE
34	117170	1	RUBBER HOSE
35	159542	1	RUBBER HOSE
36	10519424	3	WASHER
37	62790300	1	NUT
38	10519224	1	WASHER

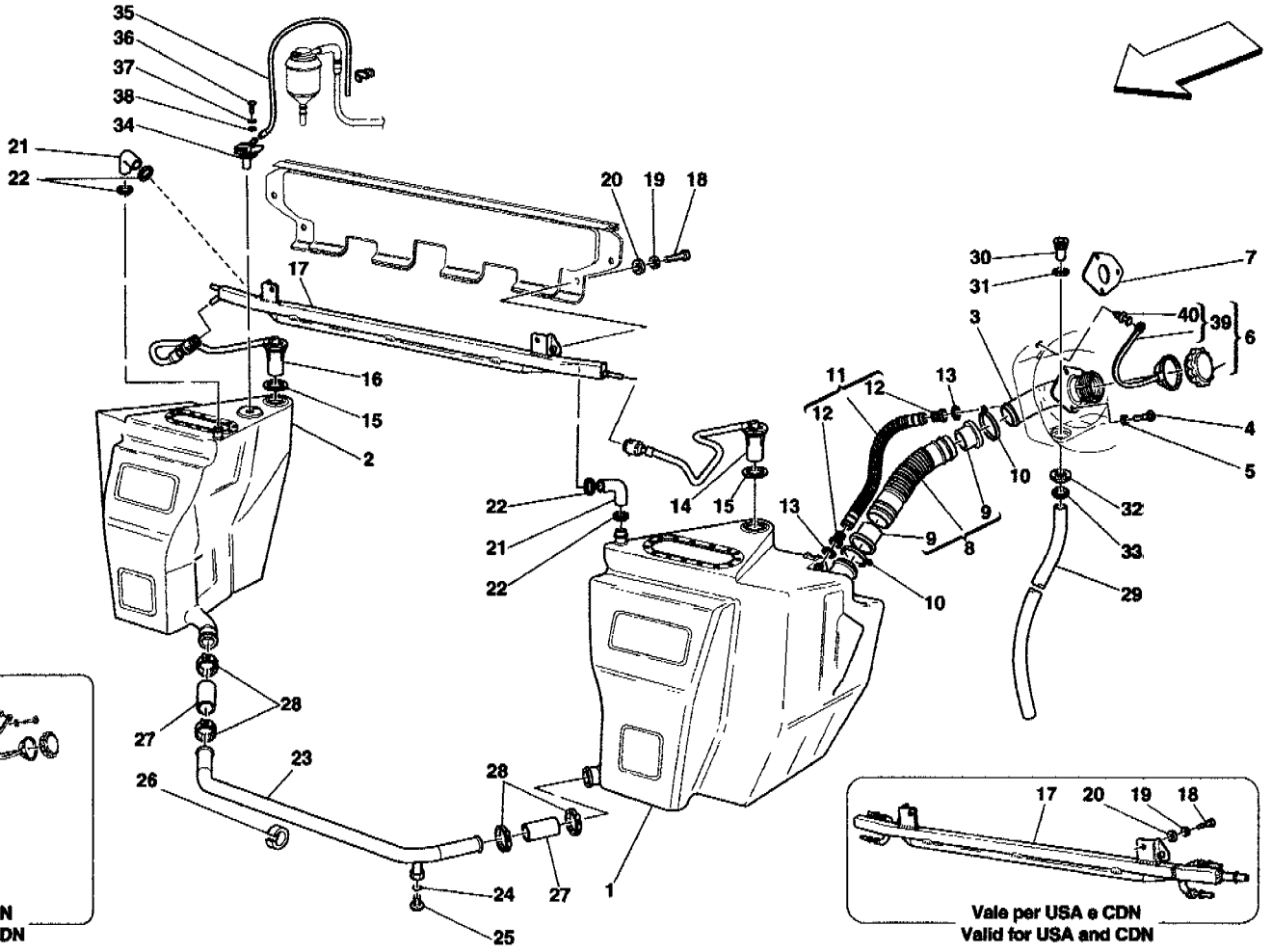
Challenge Stradale - 10 - FUEL PUMPS AND PIPES



Challenge Stradale - 10 - FUEL PUMPS AND PIPES

1	164146	1	R.H. COMPLETE FUEL PUMP
2	199120	1	L.H. COMPLETE FUEL PUMP AND FUEL LEVEL INDICATOR CONTROL
3	171795	2	O.R. GASKET
4	176579	1	R.H. PUMP SUPPORT COVER
5	170945	2	RING NUT
6	176580	1	L.H. PUMP SUPPORT COVER
7	183256	1	COMPLETE R.H. FLOAT VALVE -Not for USA and CDN-
7	196483	1	COMPLETE R.H. FLOAT VALVE -Valid for USA and CDN-
8	178430	4	CLIP
9	180383	1	COMPLETE L.H. FLOAT VALVE -Not for USA and CDN-
9	196480	1	COMPLETE L.H. FLOAT VALVE -Valid for USA and CDN-
10	195049	2	GASKET
11	10977624	30	SCREW
12	12601174	30	WASHER
13	178445	1	R.H. CONNECTION PIPE
14	178753	1	L.H. CONNECTION PIPE
15	170946	2	GASKET

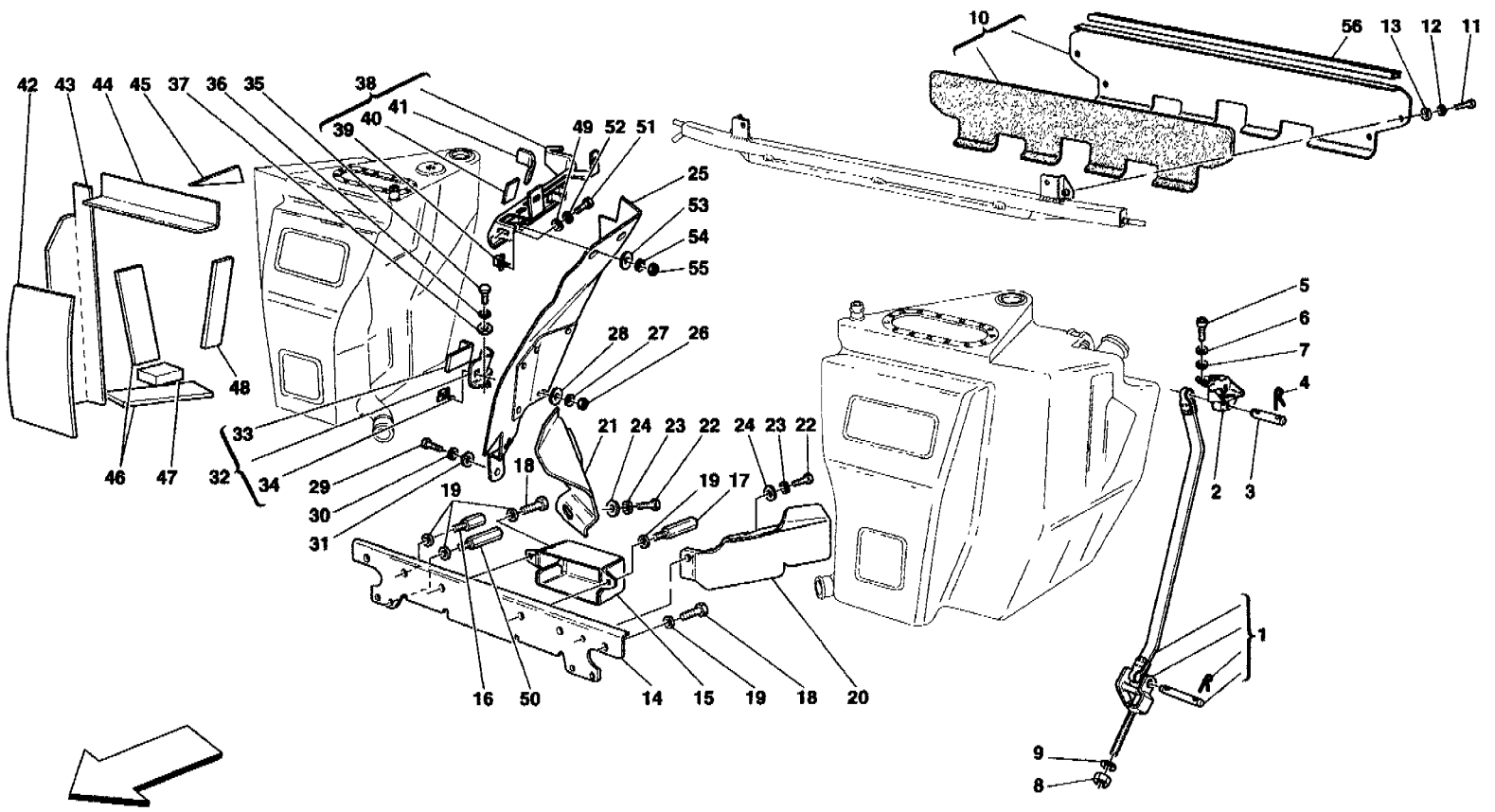
Challenge Stradale - 11 - FUEL TANKS AND UNION



Challenge Stradale - 11 - FUEL TANKS AND UNION

1	181270	1	L.H. FUEL TANK -Not for USA and CDN-
1	179624	1	L.H. FUEL TANK -Valid for USA and CDN-
2	181338	1	R.H. FUEL TANK
3	177638	1	UNION -Not for USA and CDN-
3	187008	1	UNION -Valid for USA and CDN-
4	64686900	3	SCREW
5	10615774	3	WASHER
6	185777	1	COMPLETE PLUG
7	172899	1	GASKET
8	177640	1	UNION-TANK CONNECTING PIPE -Not for USA and CDN-
8	178665	1	UNION-TANK CONNECTING PIPE -Valid for USA and CDN-
9	141033	2	GASKET -Not for USA and CDN-
10	13000890	2	SCREW COLLAR -Not for USA and CDN-
10	180957	2	SCREW COLLAR -Valid for USA and CDN-
11	174101	1	VENT PIPE FROM TANK TO UNION -Not for USA and CDN-
12	142106	2	GASKET -Not for USA and CDN-
13	164015	2	SCREW COLLAR -Not for USA and CDN-
14	180384	1	L.H. VALVE WITH PIPE -Not for USA and CDN-
14	196481	1	L.H. VALVE WITH PIPE -Valid for USA and CDN-
15	195049	2	GASKET
16	180382	1	R.H. VALVE WITH PIPE -Not for USA and CDN-
16	196482	1	R.H. VALVE WITH PIPE -Valid for USA and CDN-
17	181989	1	DISAREATOR -Not for USA and CDN-
17	182964	1	DISAREATOR -Valid for USA and CDN-
18	10902411	2	SCREW
19	127494	2	WASHER
20	10523424	2	WASHER
21	166602	2	SLEEVE
22	13000390	4	SCREW COLLAR
23	181695	1	TANKS CONNECTION PIPE
24	123622	1	GASKET
25	148045	1	THREADED PLUG
26	177437	6	RUBBER THICKNESS
27	114277	2	RUBBER HOSE
28	168220	4	SCREW COLLAR
29	193286	1	WATER EXHAUST TUBE
30	64872000	1	SLEEVE
31	65064500	1	GASKET
32	104919	1	RING NUT
33	177553	1	CLAMP
34	179137	1	FUEL PRESSURE SENSOR
35	115148	1	RUBBER HOSE
36	10977714	1	SCREW
37	12601174	1	WASHER
38	12637824	1	WASHER
39	186866	1	COMPLETE RING
40	186172	1	RETAINER FOR STRING

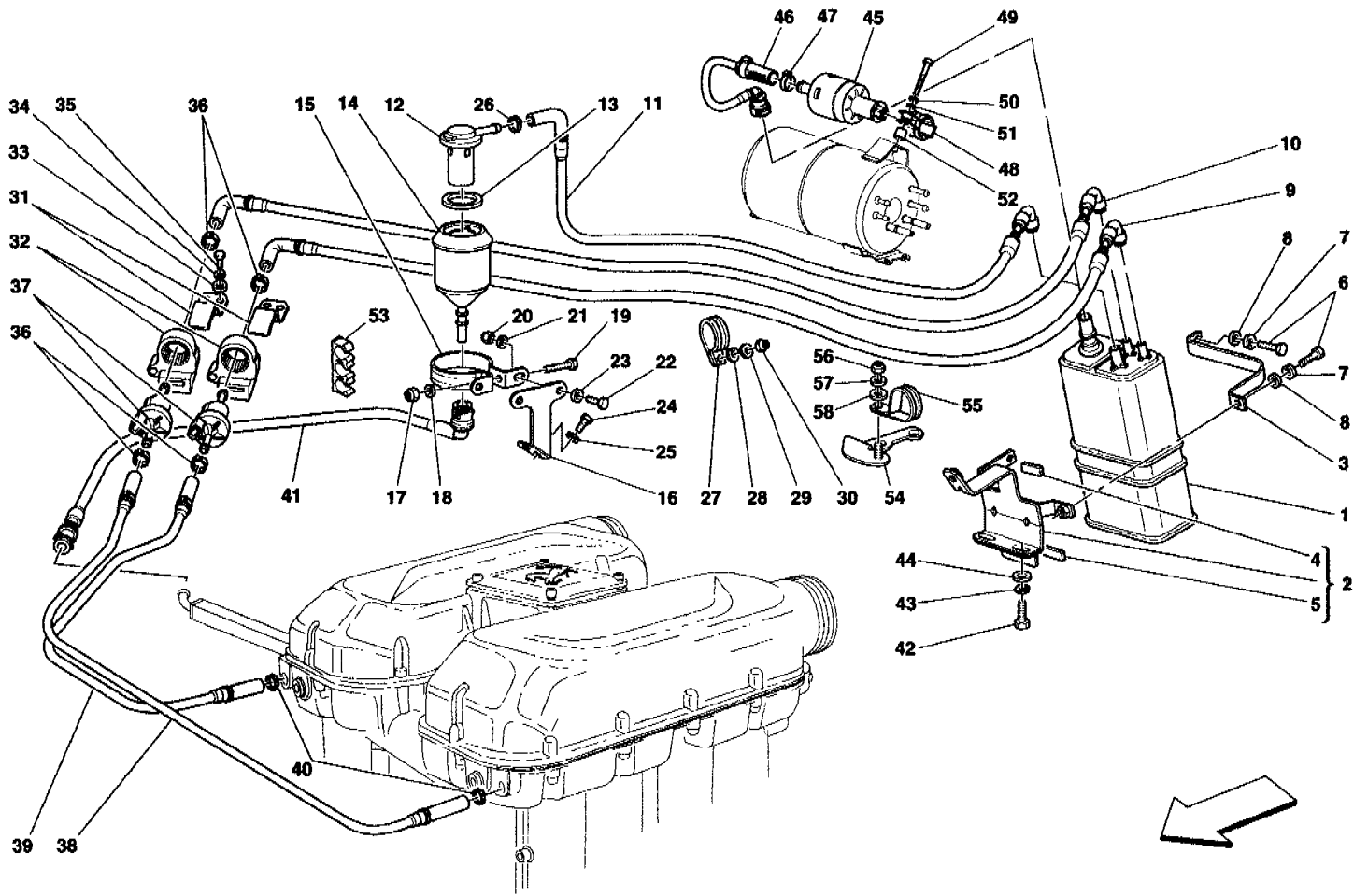
Challenge Stradale - 12 - FUEL TANKS - FIXING AND PROTECTION



Challenge Stradale - 12 - FUEL TANKS - FIXING AND PROTECTION

1	180348	2	FUEL TANK FASTENER
2	174445	1	R.H. BRACKET
2	175768	1	L.H. BRACKET
3	103447	2	PIN
4	10796440	4	SPLIT PIN
5	14305324	6	SCREW
6	12605374	6	WASHER
7	10519424	6	WASHER
8	104030	2	NUT
9	14496524	2	WASHER
10	178636	1	DISAREATOR ANTI-HEAT SHIELD
11	10977524	4	SCREW
12	127493	4	WASHER
13	12601174	4	WASHER
14	176993	1	PROTECTION PLATE
15	186045	1	FRAME
16	178772	1	STUD
17	179242	1	STUD
18	10902424	7	SCREW
19	13550221	10	WASHER
20	180233	1	LOWER L.H. ANTI-HEAT SHIELD
21	188471	1	LOWER R.H. ANTI-HEAT SHIELD
22	10902424	4	SCREW
23	12605374	4	WASHER
24	12643724	4	WASHER
25	184301	1	R.H. ANTI-HEAT SHIELD
25	184300	1	L.H. ANTI-HEAT SHIELD
26	15896214	2	NUT
27	12605374	2	WASHER
28	12644424	2	WASHER
29	10902424	4	SCREW
30	12605374	4	WASHER
31	14499324	4	WASHER
32	177775	1	LOWER BRACKET FOR R.H. TANK FIXING
32	177774	1	LOWER BRACKET FOR L.H. TANK FIXING
33	177773	1	R.H. RUBBER THICKNESS
33	177772	1	L.H. RUBBER THICKNESS
34	14664790	2	SCREW WITH CAGE
35	10902424	4	SCREW
36	12605374	4	WASHER
37	12647624	4	WASHER
38	177770	1	BRACKET FOR R.H. TANK FIXING
38	177771	1	BRACKET FOR L.H. TANK FIXING
39	14664790	4	SCREW WITH CAGE
40	177769	4	RUBBER THICKNESS
41	177768	2	RUBBER THICKNESS
42	177752	2	RUBBER THICKNESS
43	181191	1	R.H. RUBBER THICKNESS
43	181192	1	L.H. RUBBER THICKNESS
44	181377	2	RUBBER THICKNESS
45	177753	1	R.H. RUBBER THICKNESS
45	177763	1	L.H. RUBBER THICKNESS
46	177749	4	RUBBER THICKNESS
47	177748	2	RUBBER THICKNESS
48	159147	2	RUBBER THICKNESS
49	12647624	2	WASHER
50	182363	1	STUD
51	10902424	2	SCREW
52	12605374	2	WASHER
53	10519424	2	WASHER
54	12644424	2	WASHER
55	102741	2	NUT
56	190115	1	RUBBER GASKET

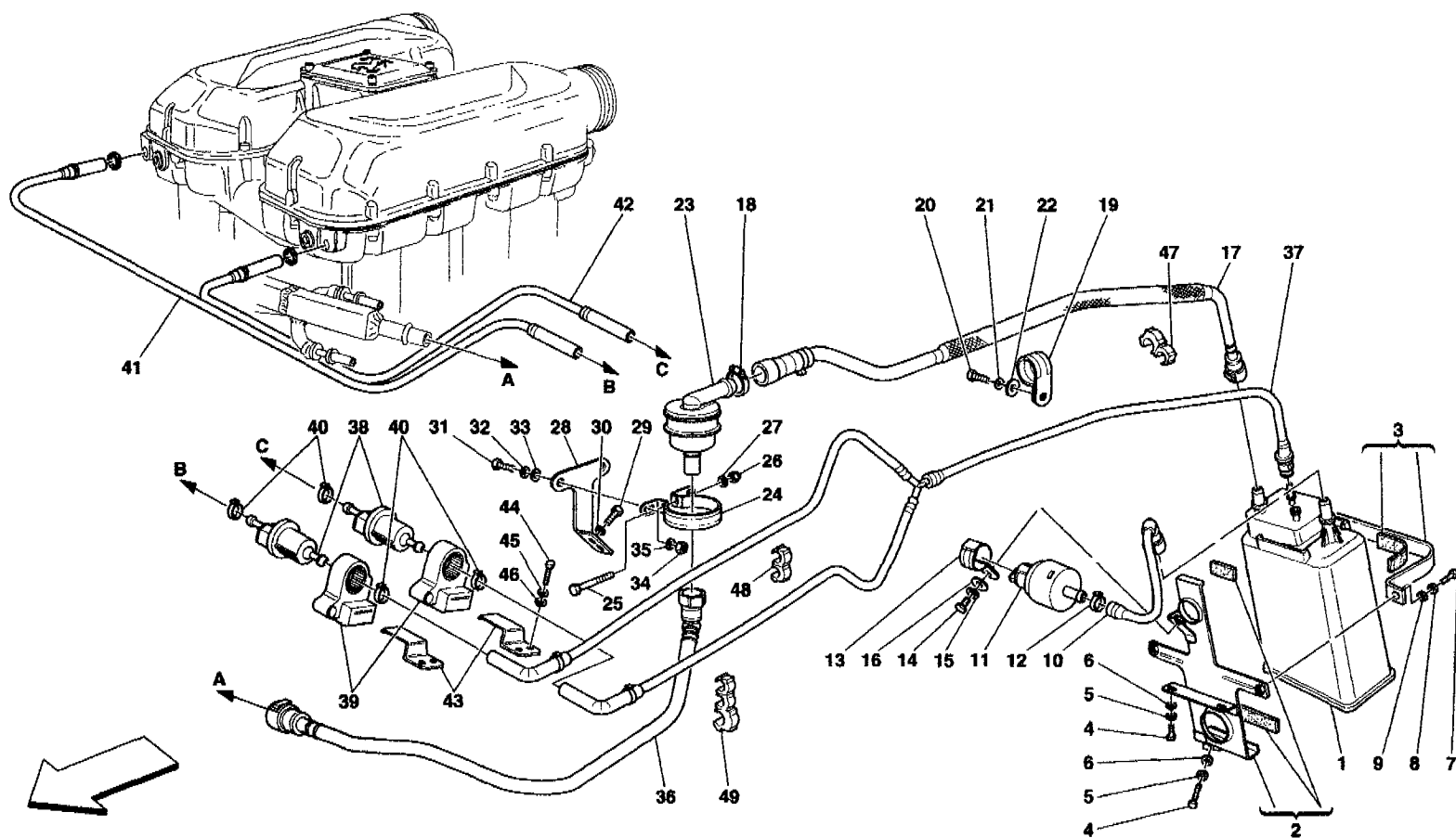
Challenge Stradale - 13 - ANTIEVAPORATION DEVICE -Not for USA and CDN-



Challenge Stradale - 13 - ANTIEVAPORATION DEVICE -Not for USA and CDN-

1	180132	1	FUEL VAPOR FILTER
2	178451	1	DEWATERER FILTER FIXING BRACKET
3	178456	1	BRACKET
4	178458	1	RUBBER THICKNESS
5	178457	1	RUBBER THICKNESS
6	10902124	2	SCREW
7	127494	2	WASHER
8	12639724	2	WASHER
9	180376	1	PIPE FROM FILTER TO REAR VALVE
10	180375	1	PIPE FROM FILTER TO FRONT VALVE
11	180374	1	PIPE FROM FILTER TO MULTIFUNCTIONAL VALVE
12	180030	1	ANTI ROLL-OVER VALVE
13	195049	1	GASKET
14	175967	1	MULTIFUNCTIONAL VALVE CONTAINER
15	176393	1	BRACKET WITH SHEATH
16	176442	1	BRACKET
17	102741	1	NUT
18	12639724	1	WASHER
19	10902834	1	SCREW
20	10720124	2	NUT
21	12644424	2	WASHER
22	10902024	2	SCREW
23	127494	2	WASHER
24	10902224	2	SCREW
25	12644424	2	WASHER
26	13432070	1	SCREW COLLAR
27	10442290	1	BRACKET WITH SHEATH
28	127494	2	WASHER
29	12644424	2	WASHER
30	15896214	2	NUT
31	174708	2	BRACKET
32	174623	2	BUFFER FOR SUPPORT
33	12644424	2	WASHER
34	127494	2	WASHER
35	10979434	2	SCREW
36	13432070	4	SCREW COLLAR
37	162412	2	ANTI-EVAPORATION VALVE
38	180377	1	PIPE TO ENGINE L.H. SIDE
39	180378	1	PIPE TO ENGINE R.H. SIDE
40	13432070	2	SCREW COLLAR
41	180373	1	PIPE FROM MULTIFUNCTIONAL VALVE TO DISAREATOR
42	10902224	2	SCREW
43	12639724	2	WASHER
44	127494	2	WASHER
45	179138	1	INTERCEPTION VALVE
46	180155	1	COMPLETE TUBE
47	164015	1	COLLAR FOR SLEEVE
48	181607	1	BRACKET WITH SHEATH
49	10903024	1	SCREW
50	127494	1	WASHER
51	12639724	1	WASHER
52	172613	1	SPACER
53	145543	1	FLEXIBLE CLIP
54	180179	1	BRACKET
55	10442090	1	BRACKET WITH SHEATH
56	15896214	1	NUT
57	127494	1	WASHER
58	12644424	1	WASHER

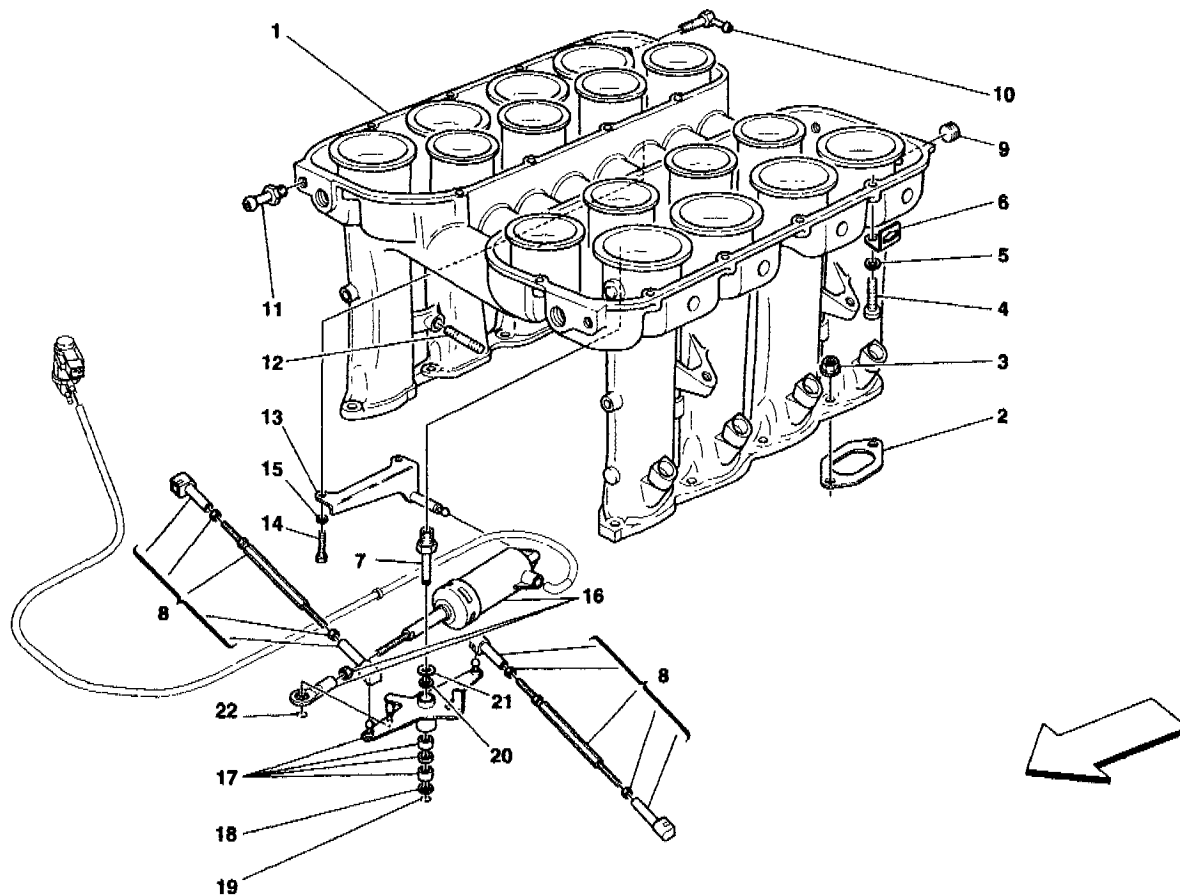
Challenge Stradale - 14 - ANTIEVAPORATION DEVICE -Valid for USA and CDN-



Challenge Stradale - 14 - ANTIEVAPORATION DEVICE -Valid for USA and CDN-

1	186316	1	FUEL VAPOR FILTER
2	180615	1	FRAME FASTENING FILTER BRACKET
3	180636	1	VAPOR FILTER FIXING CLAMP
4	10902224	3	SCREW
5	127494	3	WASHER
6	12639724	3	WASHER
7	10902124	2	SCREW
8	127494	2	WASHER
9	12639724	2	WASHER
10	178540	1	COMPLETE TUBE
11	179138	1	ON-OFF VALVE
12	13432070	1	SCREW COLLAR
13	181607	1	BRACKET WITH SHEATH
14	10979414	1	SCREW
15	12644424	1	WASHER
16	127494	1	WASHER
17	178534	1	COMPLETE TUBE
18	13433370	1	SCREW COLLAR
19	10442190	1	BRACKET WITH SHEATH
20	10902124	1	SCREW
21	127494	1	WASHER
22	12643724	1	WASHER
23	180573	1	ANTI FLOWING BACK VALVE
24	180622	1	BRACKET
25	10902834	1	SCREW
26	102741	1	NUT
27	12639724	1	WASHER
28	178532	1	BRACKET
29	10902224	2	SCREW
30	12644424	2	WASHER
31	10902024	2	SCREW
32	127494	2	WASHER
33	12644424	2	WASHER
34	10720124	2	NUT
35	12644424	2	WASHER
36	178531	1	COMPLETE TUBE
37	179425	1	COMPLETE TUBE
38	162412	2	WASHING VALVE
39	174623	2	BUFFER FOR SUPPORT
40	13432070	4	SCREW COLLAR
41	180609	1	PIPE TO R.H. PLENUM CHAMBER
42	180610	1	PIPE TO L.H. PLENUM CHAMBER
43	174708	2	BRACKET
44	10979434	2	SCREW
45	127494	2	WASHER
46	12644424	2	WASHER
47	180972	1	FLEXIBLE CLIP
48	180968	1	FLEXIBLE CLIP
49	180969	1	FLEXIBLE CLIP

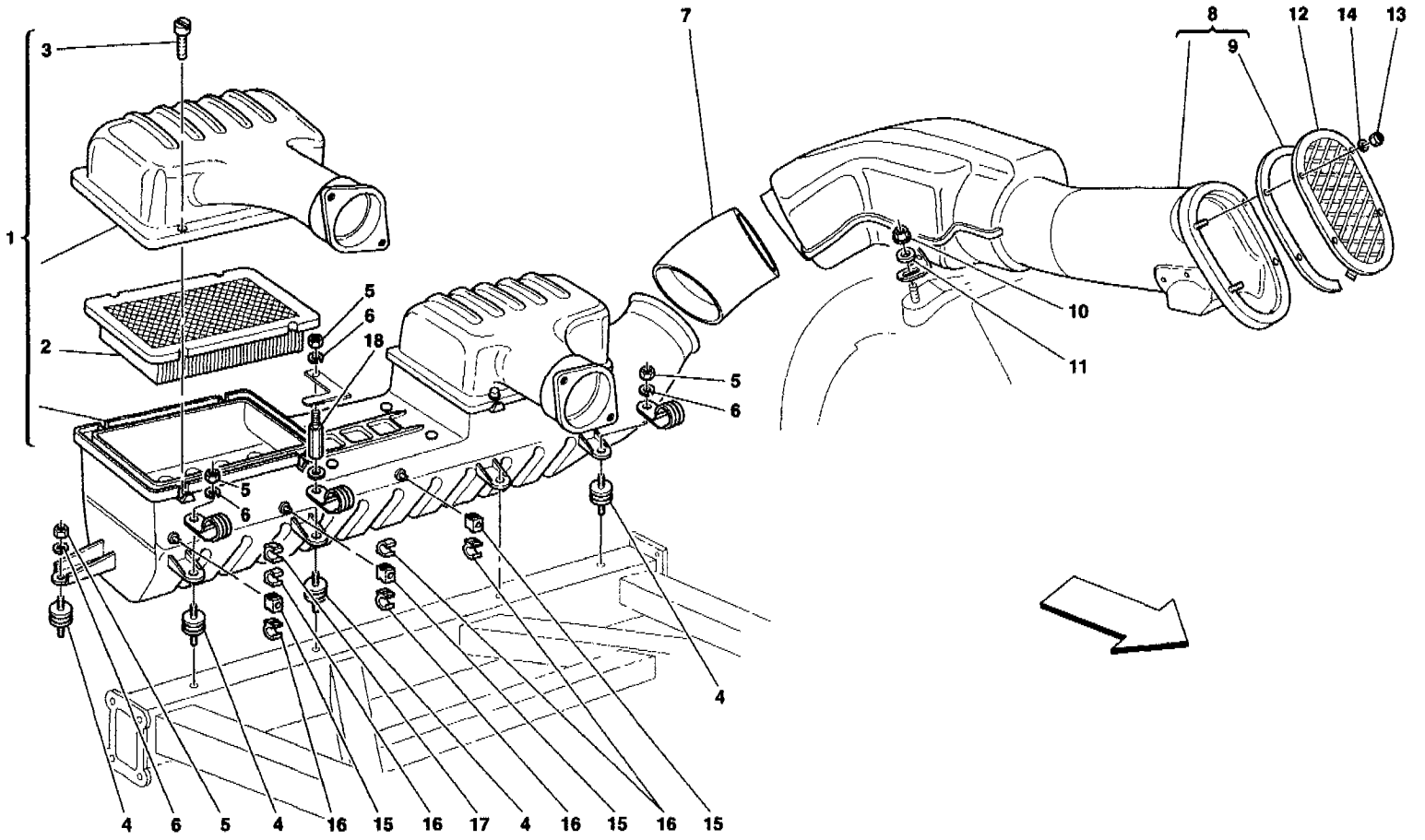
Challenge Stradale - 15 - AIR INTAKE MANIFOLD



Challenge Stradale - 15 - AIR INTAKE MANIFOLD

1	198918	1	SUCTION MANIFOLD
2	172544	8	GASKET
3	159601	16	NUT
4	14305424	16	SCREW
5	11197774	16	WASHER
6	178844	4	PIPES FIXING BRACKET
7	177602	1	PIN
8	177554	2	COMPLETE TIE ROD
9	182095	2	THREADED PLUG
10	179051	2	UNION
11	182094	4	UNION
12	182696	4	STUD
13	168253	1	BRACKET FOR ACTUATOR
14	182097	2	SCREW
15	177647	2	WASHER
16	168275	1	PNEUMATIC ACTUATOR
17	182099	1	COMPLETE LEVER
18	177633	1	WASHER
19	177669	1	SEEGER RING
20	177618	4	WASHER
21	182098	1	WASHER
22	177624	1	SEEGER RING

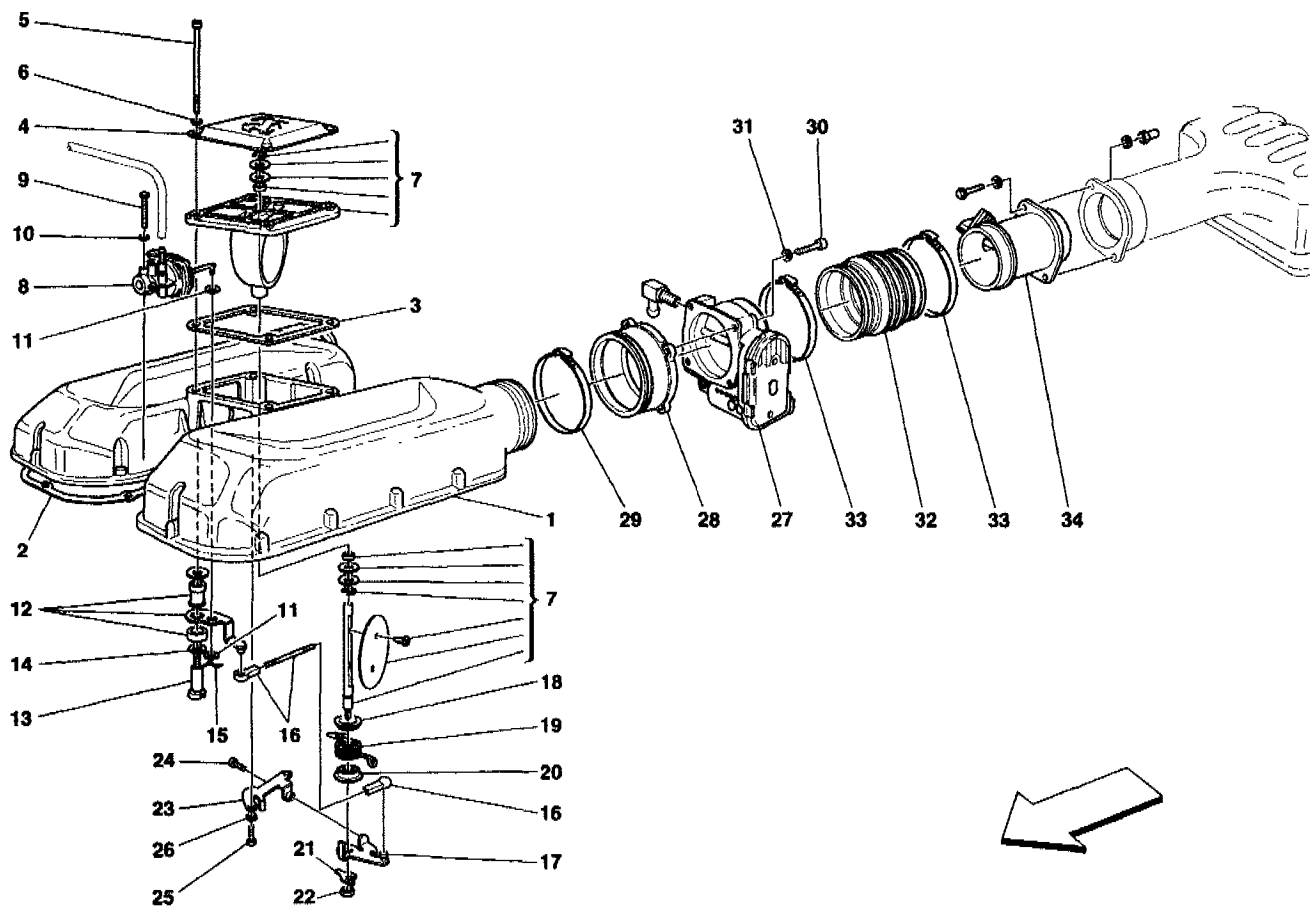
Challenge Stradale - 16 - AIR INTAKE



Challenge Stradale - 16 - AIR INTAKE

1	196023	1	COMPLETE FILTER BOX
2	190880	2	AIR FILTER
3	157757	8	SCREW
4	142202	6	PAD
5	15896214	6	NUT
6	12643724	6	WASHER
7	176924	1	SLEEVE
8	201703	1	AIR CONVEYOR
9	178293	1	RUBBER THICKNESS
10	14059211	1	NUT
11	12643724	1	WASHER
12	63580500	2	COMPLETE GRILL
13	113647	2	NUT
14	14496324	2	WASHER
15	155781	3	ANCHORAGE
16	140130	5	CLIP
17	157709	4	CLIP
18	200813	1	STUD

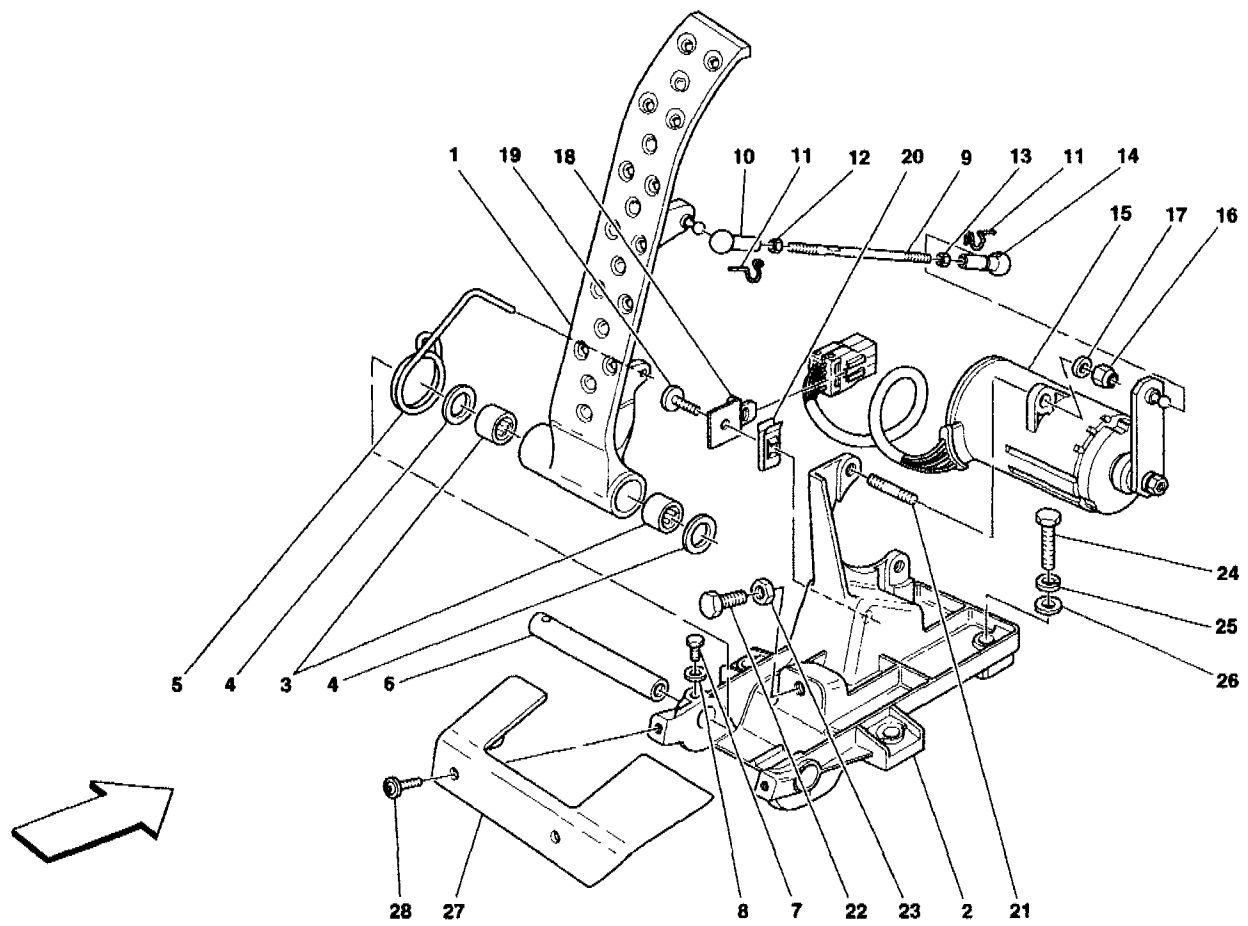
Challenge Stradale - 17 - AIR INTAKE MANIFOLD COVER



Challenge Stradale - 17 - AIR INTAKE MANIFOLD COVER

1	191873	1	SUCTION MANIFOLD COVER
1	186284	1	SUCTION MANIFOLD COVER -Not as spare part- -With complete suction manifold cover 191873-
2	174192	1	R.H. GASKET
2	168145	1	L.H. GASKET
3	168205	1	COMPENSATION DUCTING GASKET
4	198215	1	COMPENSATION DUCTING COVER
5	176154	4	SCREW
6	182086	4	WASHER
7	182092	1	COMPLETE COMPENSATION DUCTING
8	136815	1	PNEUMATIC CAPSULE
9	177644	2	SCREW
10	177646	2	WASHER
11	182087	2	WASHER
12	182089	1	LEVER SET
13	177600	1	PIN
14	182093	1	WASHER
15	182088	1	PIN
16	177565	1	COMPLETE TIE ROD
17	177560	1	COMPLETE IDLING LEVER
18	177626	1	BUSH FOR SPRING
19	177578	1	SPRING
20	177586	1	BUSHING
21	177639	1	SAFETY SMALL PLATE
22	182091	1	NUT
23	177564	1	SUPPORT
24	182090	1	SCREW
25	177652	2	SCREW
26	177651	2	WASHER
27	171716	2	THROTTLE HOLDER
28	177132	2	SPACER FOR THROTTLE HOLDER
29	177981	2	SPECIAL CLAMP
30	14305824	8	SCREW
31	12581474	8	WASHER
32	160701	2	SLEEVE
33	177982	4	SPECIAL CLAMP
34	181120	2	AIR FLOW METER

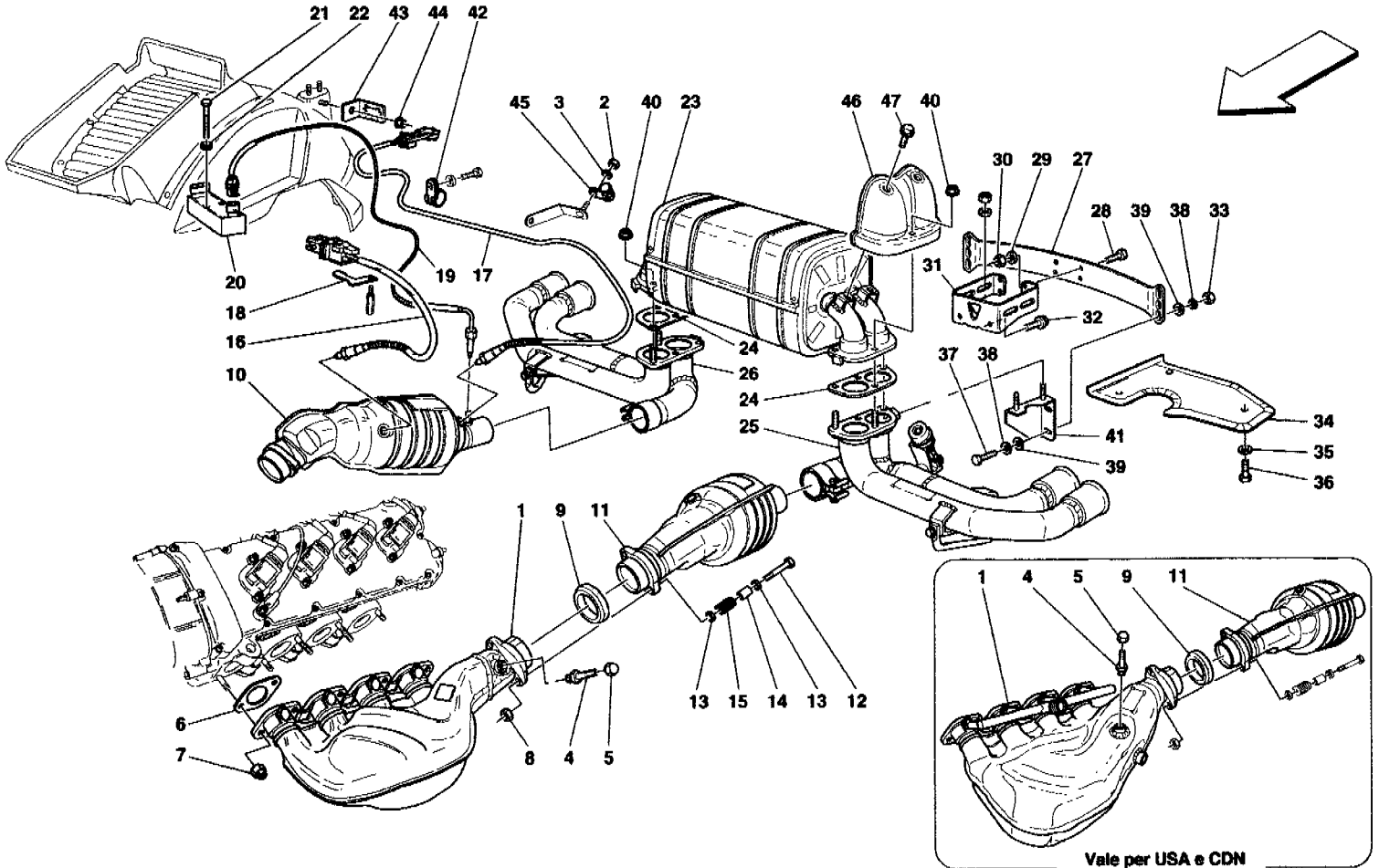
Challenge Stradale - 18 - ELECTRONIC ACCELERATOR PEDAL



Challenge Stradale - 18 - ELECTRONIC ACCELERATOR PEDAL

1	196273	1	ACCELERATOR PEDAL
2	185452	1	ACCELERATOR PEDAL SUPPORT
3	101677	2	ROLLER BEARING
4	157115	2	WASHER
5	175351	1	RETUTN SPRING FOR PEDAL
6	171468	1	ROLLER CAGE RACE
7	10977524	1	SCREW
8	12601174	1	WASHER
9	171466	1	PUSH ROD
9	181258	1	-Not for GD- PUSH ROD
10	173999	1	-Valid for GD- BALL JOINT HEAD
11	174001	2	CLIP
12	15896470	1	NUT
13	105586	1	L.H. THREADED NUT
14	174000	1	BALL JOINT HEAD
15	170038	1	ACCELERATOR PEDAL POTENTIOMETER
16	102948	2	NUT
17	10519424	2	WASHER
18	170925	1	BRACKET FOR CONNECTOR FIXING
19	14071911	1	SCREW
20	14371274	1	BRACKET
21	11500324	2	STUD
22	16043621	1	SCREW
23	16102314	1	NUT
24	10902624	3	SCREW
25	127494	3	WASHER
26	14496424	3	WASHER
27	65709100	1	ACCELERATOR PEDAL COVER
27	65711900	1	-Not for GD- ACCELERATOR PEDAL COVER
28	65752800	2	-Valid for GD- SCREW

Challenge Stradale - 19 - EXHAUST SYSTEM



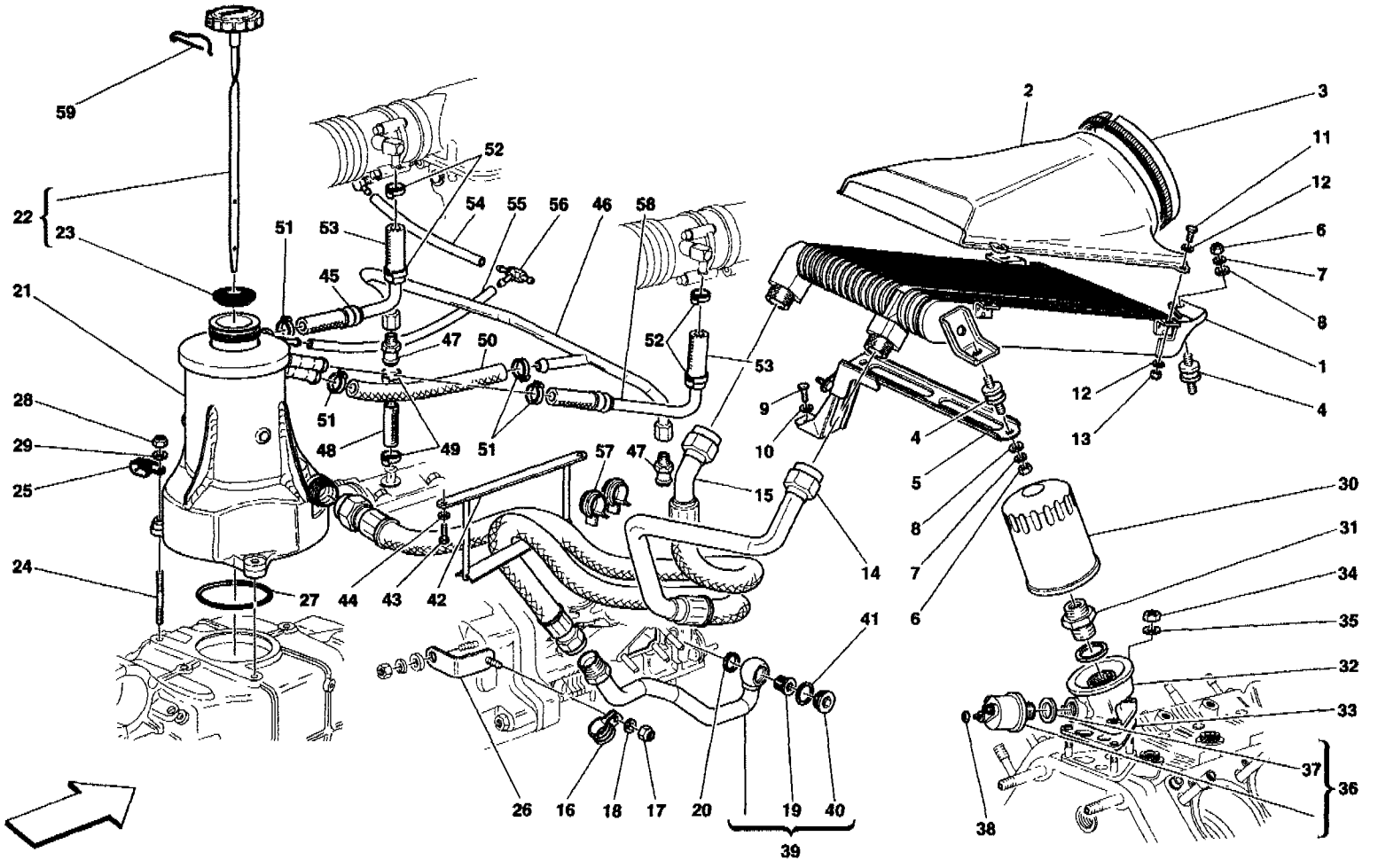
Vale per USA e CDN
Valid for USA and CDN

Challenge Stradale - 19 - EXHAUST SYSTEM

1	189666	1	L.H. EXHAUST MANIFOLD -Not for USA, CDN and J-
1	184394	1	L.H. EXHAUST MANIFOLD -Valid for USA, CDN and J-
1	189665	1	R.H. EXHAUST MANIFOLD -Not for USA, CDN and J-
1	184393	1	R.H. EXHAUST MANIFOLD -Valid for USA, CDN and J-
2	10725914	1	NUT
3	14498804	1	WASHER
4	144240	2	THREADED UNION
5	150595	2	CAP NUT
6	151064	8	GASKET
7	138392	16	NUT
8	114748	4	NUT
9	159914	2	GASKET
10	199064	1	R.H. CATALYST -Not for USA, CDN and J-
10	181966	1	R.H. CATALYST -Valid for USA, CDN e J-
11	199065	1	L.H. CATALYST -Not for USA, CDN and J-
11	181967	1	L.H. CATALYST -Valid for USA, CDN and J-
12	16044834	4	SCREW
13	12646778	8	WASHER
14	114749	4	SPACER
15	111743	4	SPRING
16	182837	2	FRONT LAMBDA FEELER
17	180915	2	REAR LAMBDA FEELER
18	199901	2	CONNECTOR FIXING BRACKET
19	193467	2	THERMOCOUPLE
20	179278	2	CATALYST TEMPERATURE CONTROL STATION
21	15210824	4	SCREW
22	10519224	4	WASHER
23	195811	1	COMPLETE EXHAUST SILENCER
24	177612	2	GASKET
25	199061	1	COMPLETE L.H. OUTLET PIPE -Valid till Ass. Nr. 53910 for AUS-
25	212938	1	COMPLETE L.H. OUTLET PIPE -Valid from Ass. Nr. 53911 for AUS-
26	199060	1	COMPLETE R.H. OUTLET PIPE -Valid till Ass. Nr. 53910 for AUS-
26	212937	1	COMPLETE R.H. OUTLET PIPE -Valid from Ass. Nr. 53911 for AUS-
27	195803	1	SILENCER SUPPORT EXHAUST SIDE
28	16043324	4	SCREW
29	127496	4	WASHER
30	16100824	4	NUT
31	181383	1	SILENCER SUPPORT GEAR SIDE
32	16043434	4	SCREW
33	16100824	4	NUT
34	196340	1	L.H. SHIELD
34	196339	1	R.H. SHIELD
35	12643724	2	WASHER
35	12625224	4	WASHER
36	10902324	2	SCREW -M6x18-
36	16043324	4	SCREW -M8x18-
37	16043534	4	SCREW
38	12646778	8	WASHER
39	127496	8	WASHER
40	179808	8	NUT
41	195711	1	L.H. BRACKET -Not as spare part-

41.	201156	1	-Replaced by 201156-
41	195715	1	L.H. BRACKET
			R.H. BRACKET
			-Not as spare part-
			-Replaced by 201155-
41	201155	1	R.H. BRACKET
42	10441390	1	BRACKET WITH SHEATH
43	178366	2	CONNECTORS FIXING BRACKET
44	14059211	1	NUT
45	10440990	1	BRACKET WITH SHEATH
46	203904	2	PROTECTION FOR MUFFLER
47	206161	4	SCREW

Challenge Stradale - 20 - LUBRICATION SYSTEM AND BLOW-BY SYSTEM



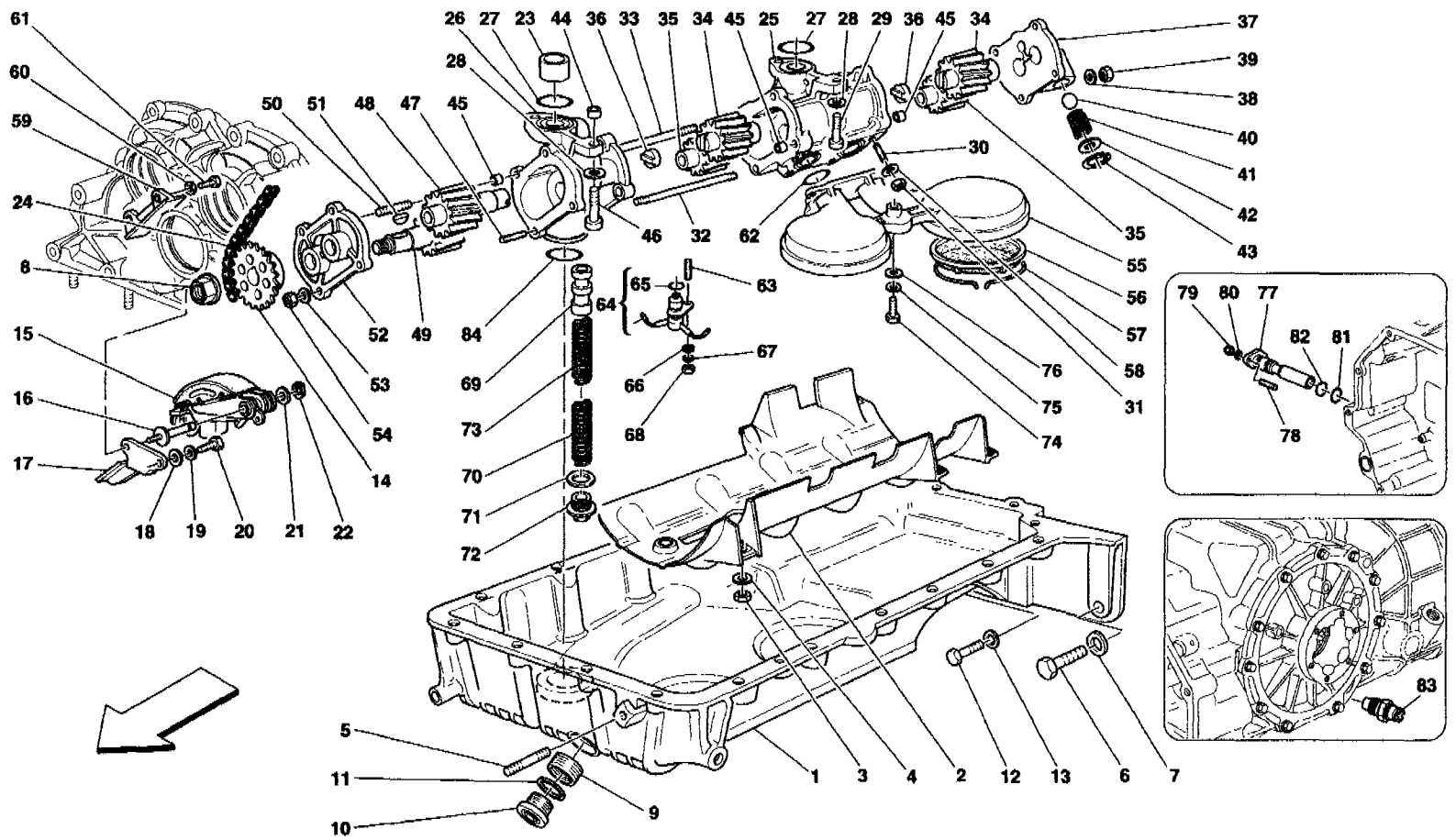
Challenge_Stradale - 20 - LUBRICATION SYSTEM AND BLOW-BY SYSTEM

1	185412	1	OIL RADIATOR
2	181001	1	AIR INLET CONVEYOR
3	180555	1	GASKET
4	102947	4	PAD
5	175724	1	RADIATOR SUPPORTING BRACKET
6	15896214	8	NUT
7	127494	8	WASHER
8	12644424	8	WASHER
9	10902324	2	SCREW
10	14496424	2	WASHER
11	10977824	3	SCREW
12	12637824	6	WASHER
13	113647	3	NUT
14	201655	1	HOSE FROM ENGINE HOSE TO RADIATOR
15	201656	1	HOSE FROM RADIATOR TO DISAREATOR
16	10442090	1	BRACKET WITH SHEATH
17	134041	1	NUT
18	127494	1	WASHER
19	122319	1	UNION
20	144487	1	GASKET
21	201625	1	COMPLETE OIL DISAREATOR -Till car Ass. Nr. 56313 to assemble with tank plug 202249 ref. 22 with hole and no screwable split pin 209265 ref. 59-
22	202249	1	TANK PLUG
23	180585	1	GASKET
24	13517124	3	STUD
25	10450690	1	BRACKET WITH SHEATH
26	178314	1	BRACKET
27	176388	1	O.R. GASKET
28	101139	3	NUT
29	12601374	3	WASHER
30	191462	1	OIL FILTER CARTRIDGE -Valid till stock exhaustion-
30	197654	1	OIL FILTER CARTRIDGE -Valid after stock exhaustion of 191462-
31	173929	1	THREADED UNION
32	173633	1	OIL FILTER BASE-PLATE
33	188052	1	OIL FILTER BASE GASKET
34	101139	3	NUT
35	12601374	3	WASHER
36	135940	1	OIL PRESSURE TRANSMITTER
37	10259960	1	GASKET
38	62790300	2	NUT
39	201654	1	HOSE FROM ENGINE TO RADIATOR HOSE
40	122318	1	THREADED PLUG
41	183044	1	GASKET
42	183655	1	OIL HOSE RETAINING BRACKET
43	10902124	2	SCREW
44	12601274	2	WASHER
45	202194	1	R.H. BUTTERFLY CONNECTION PIPE
46	202160	1	HEADS CONNECTION VENT PIPE -Not as spare part- -Replaced by 201653-
46	201653	1	HEADS CONNECTION VENT PIPE
47	170448	2	VALVE -For cars not USA and CDN from Ass. Nr. 57034 Q.ty 1-
47	215820	1	VALVE -With hole ø 2 on the membrane- -Not for USA and CDN- -Valid from Ass. Nr. 57034-
48	175746	2	RUBBER HOSE
49	178053	4	CLAMP
50	202182	1	RUBBER HOSE
51	178053	4	CLAMP

52	178052	4	CLAMP
53	202183	2	RUBBER HOSE
54	126342	2	RUBBER HOSE
55	194910	1	RUBBER HOSE
56	161816	1	3-WAY UNION
57	160013	2	FLEXIBLE CLIP
58	202196	1	L.H. BUTTERFLY CONNECTION PIPE
59	209265	1	NO SCREWABLE SPLIT PIN

-Valid form car Ass. Nr. 56314-

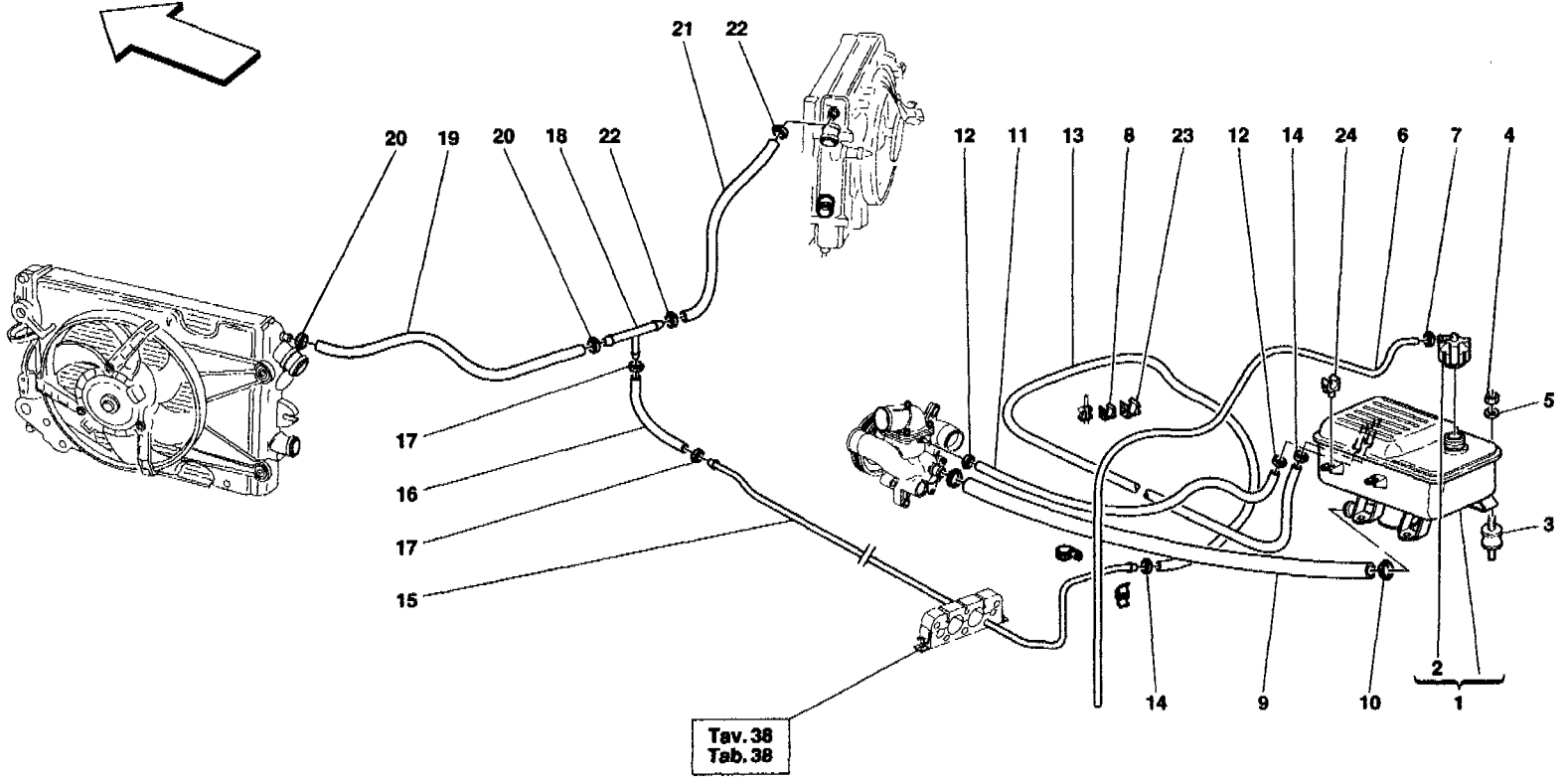
Challenge Stradale - 21 - PUMPS AND OIL SUMP



Challenge Stradale - 21 - PUMPS AND OIL SUMP

*	181819	1	COMPLETE OIL SUMP
1	178413	1	OIL SUMP -Not as spare part- -With the complete oil sump-
2	173623	1	ANTI-SHAKING OIL PANEL
3	177778	6	NUT
4	10519624	6	WASHER
5	13516524	1	STUD
6	11307021	2	SCREW
7	11190574	2	WASHER
8	132876	1	NUT
9	112254	1	THREADED INSERT
10	178959	1	OIL OUTLET PLUG
11	10261860	1	GASKET
12	14306424	2	SCREW
13	11198074	2	WASHER
14	132462	1	DRIVEN GEAR
15	185577	1	CHAIN TIGHTENER
16	169594	1	STUD
17	179938	1	STOP PLATE
18	12646601	1	WASHER
19	12601274	1	WASHER
20	10902224	1	SCREW
21	171960	1	WASHER
22	11065474	1	FLEXIBLE RING
23	145326	1	BUSHING
24	133089	1	CHAIN
*	185129	1	RECOVERY PUMP BODY WITH STUD BOLTS
25	181342	1	RECOVERY PUMP BODY -Not as spare part- -With the assembly 185129-
*	185130	1	DELIVERY PUMP BODY WITH STUD BOLTS
26	181341	1	DELIVERY PUMP BODY -Not as spare part- -With the assembly 185130-
27	133939	2	O.R. GASKET
28	11198074	4	WASHER
29	14306424	3	SCREW
30	13540824	4	STUD
31	132877	4	NUT
32	133842	2	STUD
33	133843	2	STUD
34	132458	2	DRIVING GEAR
35	132460	2	DRIVEN GEAR
36	109309	2	COUPLING
37	132436	1	RECOVERY PUMP COVER
38	12604270	4	WASHER
39	194031	4	NUT
40	121306	1	BALL
41	109980	1	SPRING
42	196077	1	SPACER
43	11057876	1	SEEGER RING
44	102704	1	DOWEL
45	102725	5	DOWEL
46	14306524	1	SCREW
47	13540824	2	STUD
48	181862	1	DRIVEN GEAR
49	132454	1	DRIVING GEAR
50	13541024	2	STUD
51	10205820	1	DISC KEY
52	132434	1	FRONT COVER
53	12604270	4	WASHER
54	194031	4	NUT
55	176222	1	RECOVERY SUCTION PIPE
56	122429	2	FILTER

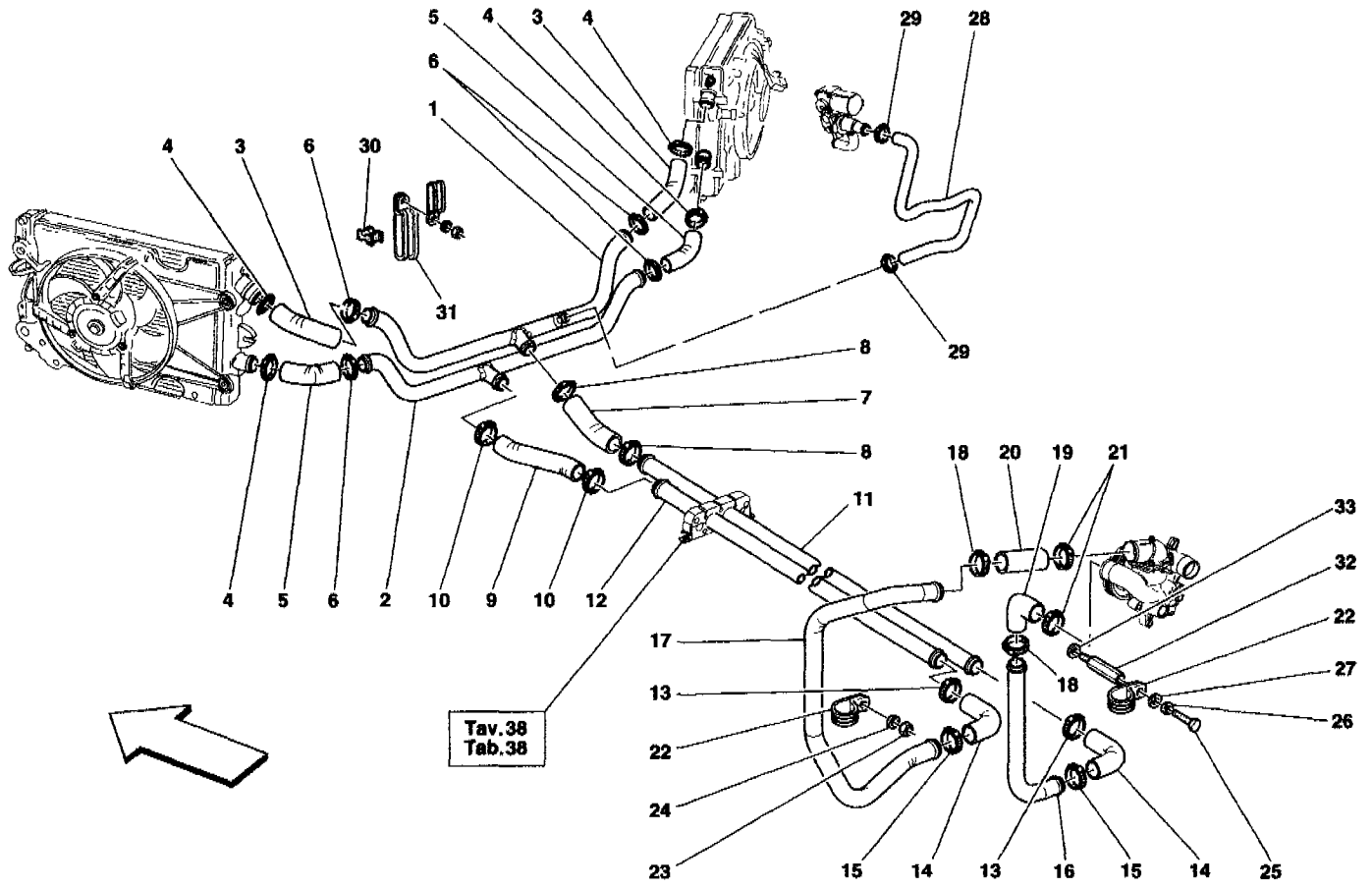
57	103944	2	RING
58	12604274	4	WASHER
59	136039	1	FIXED TENSION
60	12601274	2	WASHER
61	10902324	2	SCREW
62	133938	2	O.R. GASKET
63	11000824	4	STUD
64	191973	4	PISTONS COOLING NOZZLE
65	137192	4	O.R. GASKET
66	11199274	4	WASHER
67	10519378	4	WASHER
68	15896470	4	NUT
69	129324	1	REGISTER
70	177908	1	OUTER SPRING
71	10263360	1	GASKET
72	177423	1	OIL PRESSURE VALVE CAP
73	177909	1	INNER SPRING
74	179222	1	SCREW
75	127494	1	WASHER
76	12644424	1	WASHER
77	177130	1	GEARBOX OIL SUCTION FAN
78	11500224	2	STUD
79	102948	2	NUT
80	12604274	2	WASHER
81	177549	1	O.R. GASKET
82	177550	1	O.R. GASKET
83	104628	1	GEARBOX THERMISTOR
84	104535	1	GASKET



Challenge Stradale - 22 - NOURICE

1	196474	1	COMPLETE FUEL CANISTER
2	145030	1	TANK PLUG
3	142202	4	PAD
4	15896214	4	NUT
5	12643724	4	WASHER
6	179280	1	VENT PIPE
7	183919	1	ELASTIC COLLAR
8	140130	1	FLEXIBLE CLIP
9	176161	1	RUBBER HOSE FROM ENGINE TO NOURICE
10	13000490	1	CLAMP
11	180741	1	RUBBER HOSE FROM TANK TO PUMP
12	177995	2	CLAMP
13	179336	1	RUBBER HOSE FROM NOURICE TO UNDERFLOOR
14	177995	2	CLAMP
15	195885	1	UNDERFLOOR PIPE
16	177515	1	RUBBER HOSE
17	13000190	2	SCREW COLLAR
18	181272	1	3-WAY UNION
19	177513	1	R.H. RUBBER HOSE
20	13000190	2	SCREW COLLAR
21	177514	1	L.H. RUBBER HOSE
22	13000190	2	SCREW COLLAR
23	140727	2	FIXING CLIP
24	14574287	2	CLIP

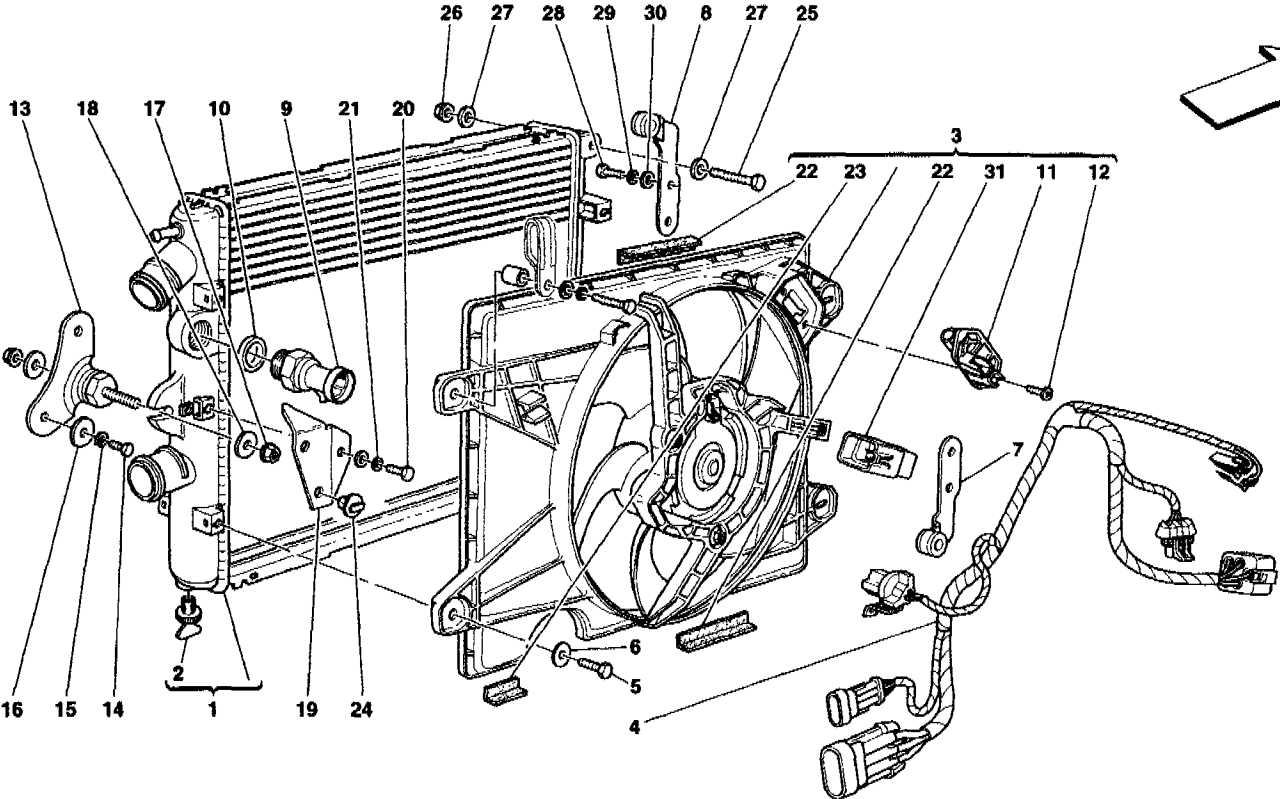
Challenge Stradale - 23 - COOLING SYSTEM



Challenge,Stradale - 23 - COOLING SYSTEM

1	181746	1	RETURN WATER PIPE
2	181790	1	DELIVERY WATER PIPE
3	181757	2	RETURN RUBBER PIPE
4	13001690	4	SCREW COLLAR
5	181802	2	DELIVERY RUBBER HOSE
6	13000590	4	SCREW COLLAR
7	181745	1	RETURN RUBBER HOSE
8	13001690	2	SCREW COLLAR
9	181789	1	DELIVERY RUBBER HOSE
10	13001690	2	SCREW COLLAR
11	181743	1	UNDERFLOOR RETURN ALUMINIUM TUBE
12	181788	1	UNDERFLOOR DELIVERY ALUMINIUM TUBE
13	13001690	2	SCREW COLLAR
14	181742	2	RUBBER HOSE
15	13001690	2	SCREW COLLAR
16	181734	1	RETURN ALUMINIUM TUBE
17	181786	1	DELIVERY ALUMINIUM TUBE
18	13001690	2	SCREW COLLAR
19	181733	1	RETURN RUBBER HOSE
20	181779	1	DELIVERY RUBBER HOSE
21	13000790	2	SCREW COLLAR
22	182301	2	BRACKET WITH SHEATH
23	102741	1	NUT
24	12644424	1	WASHER
25	10979414	1	SCREW
26	127494	1	WASHER
27	12644424	1	WASHER
28	65231800	1	HOSE FROM TGK VALVE TO RETURN PIPE -Not for GD-
28	65744800	1	HOSE FROM TGK VALVE TO RETURN PIPE -Valid for GD-
29	13000390	2	SCREW COLLAR
30	183641	2	RUBBER SPACER
31	183642	2	BRACKET WITH SHEATH
32	179242	2	STUD
33	13550221	2	WASHER

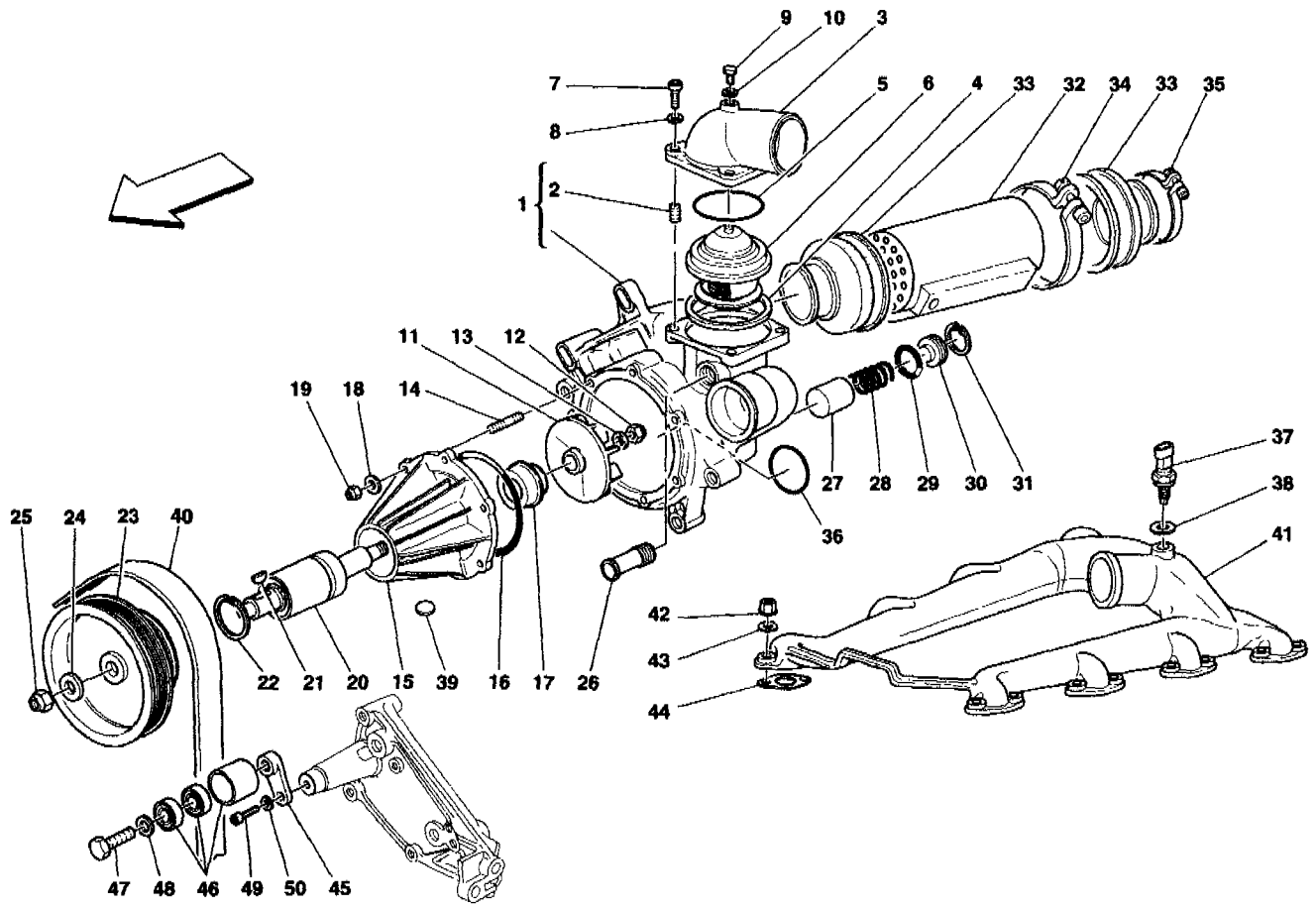
Challenge Stradale - 24 - COOLING SYSTEM RADIATORS



Challenge Stradale - 24 - COOLING SYSTEM RADIATORS

1	172456	1	WATER R.H. RADIATOR
1	176056	1	WATER L.H. RADIATOR
2	176324	2	WATER OUTLET PLUG
3	174086	1	COMPLETE R.H. ELECTROFAN
3	177501	1	COMPLETE L.H. ELECTROFAN
4	179010	1	R.H. ELECTROFAN WIRING
5	16286024	3	SCREW
6	12647624	3	WASHER
7	179435	2	R.H. LOWER-L.H. UPPER RADIATOR SUPPORT
8	179436	2	R.H. UPPER-L.H. LOWER RADIATOR SUPPORT
9	176322	1	TEMPERATURE SWITCH
10	101508	1	GASKET
11	185543	1	RESISTOR
12	15958801	2	SCREW
13	179834	2	RADIATOR CENTRAL BRACKET
14	10902424	4	SCREW
15	106850	4	WASHER
16	12640624	4	WASHER
17	14058511	2	NUT
18	124338	2	WASHER
19	178797	1	WATER R.H. RADIATOR BRACKET
20	10902024	1	SCREW
21	14499324	1	WASHER
22	183693	4	GASKET FOR ELECTROFAN
23	183872	3	GASKET FOR ELECTROFAN
24	176062	2	SUPPORT FOR UNION
25	16044324	2	SCREW
26	14058511	2	NUT
27	12646724	4	WASHER
28	10902424	8	SCREW
29	106850	8	WASHER
30	12640624	8	WASHER
31	180026	1	30/40 A RELAY

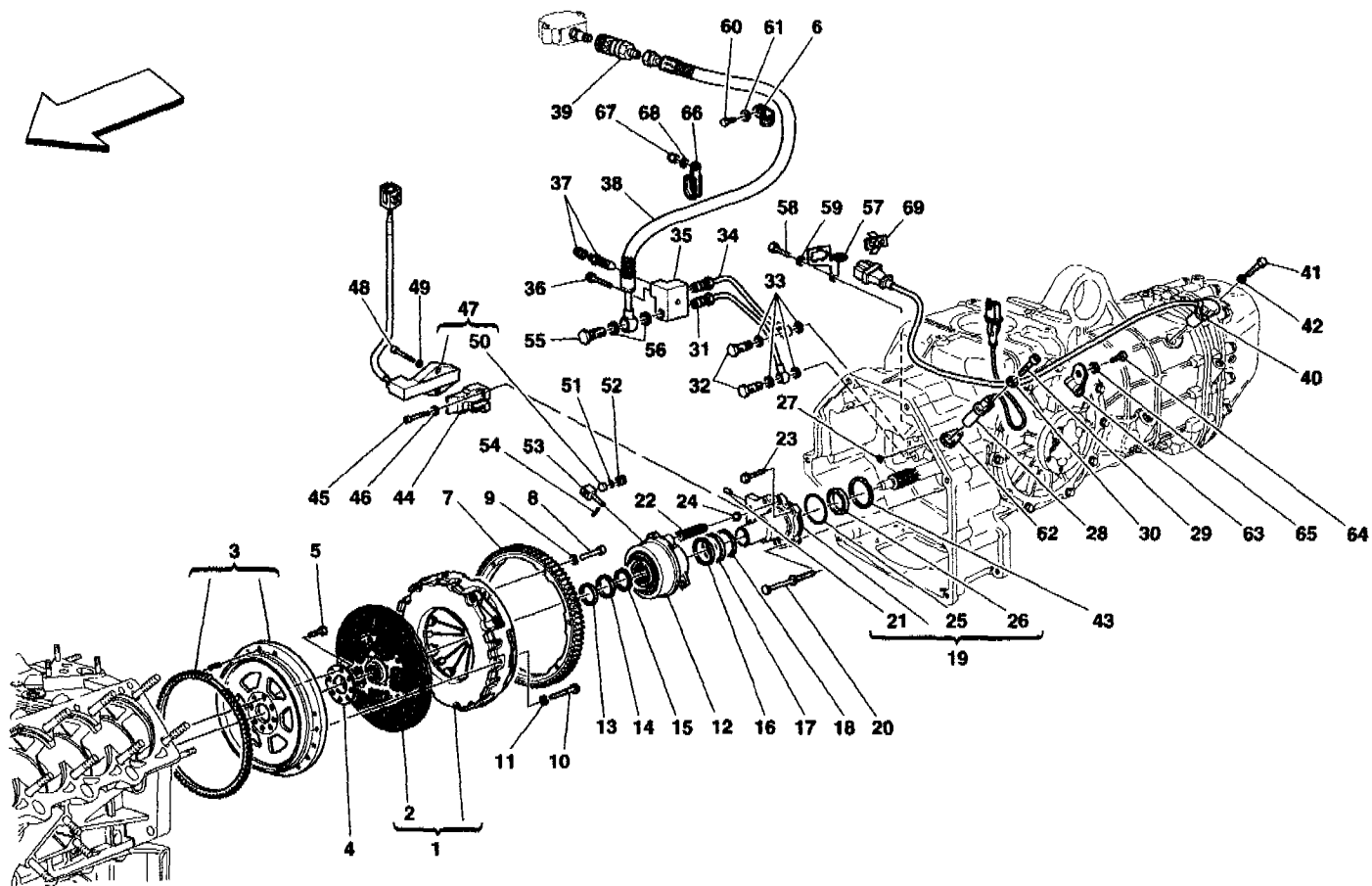
Challenge Stradale - 25 - WATER PUMP AND OIL/WATER HEAT EXCHANGER



Challenge Stradale - 25 - WATER PUMP AND OIL/WATER HEAT EXCHANGER

1	176044	1	WATER PUMP BODY
2	13525470	4	THREADED INSERT
3	171926	1	THERMOSTATIC VALVE COVER
4	137873	1	GASKET
5	149279	1	O.R. GASKET
6	183758	1	THERMOSTAT
7	14433124	4	SCREW
8	12601274	4	WASHER
9	132349	1	UNION
10	10297760	1	GASKET
11	176045	1	WATER PUMP IMPELLER
12	100436	1	CAP NUT
13	11194074	1	WASHER
14	13540924	6	STUD
15	176173	1	WATER PUMP COVER
16	137868	1	O.R. GASKET
17	130932	1	FRONT SEAL RING
18	12601274	6	WASHER
19	102741	6	NUT
20	143742	1	BEARING WITH SHAFT
21	10202320	1	DISC KEY
22	11059976	1	SEEGER RING
23	177207	1	WATER PUMP CONTROL PULLEY
24	12646821	1	WASHER
25	102742	1	NUT
26	106227	1	UNION
27	176046	1	BUSHING
28	176047	1	SPRING
29	147278	1	O.R. GASKET
30	176048	1	SPRING PLUG
31	11058376	1	SEEGER RING
32	180846	1	HEAT EXCHANGER
33	187173	2	SLEEVE
34	153430	2	CLAMP
35	134109	2	SCREW COLLAR
36	101044	1	GASKET
37	180137	1	WATER TEMPERATURE SENSOR
38	10298460	1	GASKET
39	10158801	1	PLUG
40	201446	1	WATER PUMP AND GENERATOR CONTROL BELT
41	179748	1	COMPLETE WATER OUTLET MANIFOLD
42	194031	16	NUT
43	12604274	16	WASHER
44	141332	8	GASKET
45	180296	1	SMALL PLATE
46	179698	1	BELT TIGHTENING BEARING
47	15970921	1	SCREW
48	11190574	1	WASHER
49	14302824	1	SCREW
50	11198074	1	WASHER

Challenge Stradale - 26 - CLUTCH AND CONTROLS

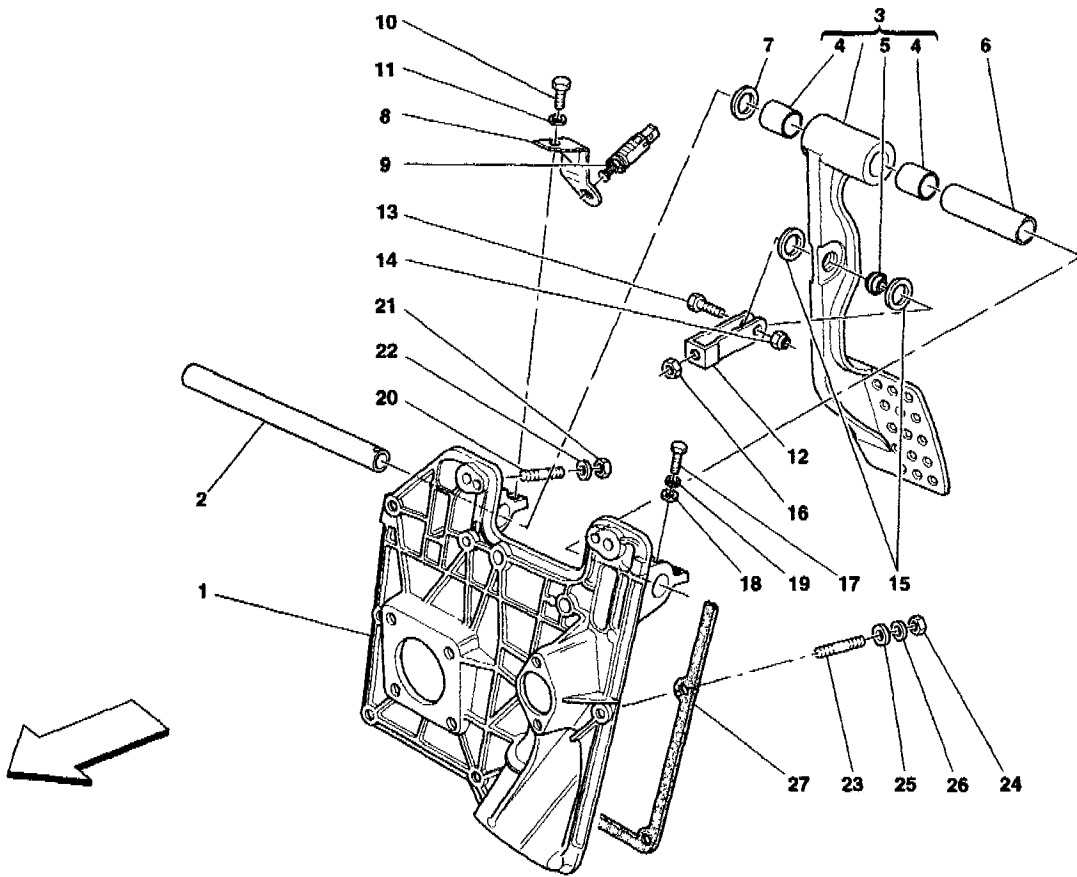


Challenge Stradale - 26 - CLUTCH AND CONTROLS

1	186158	1	COMPLETE CLUTCH -Valid till Ass. Nr. 51071- -Valid till stock exhaustion-
1	199044	1	COMPLETE CLUTCH -Valid from Ass. Nr. 51072- -Valid after stock exhaustion of 186158-
2	180613	1	CLUTCH DISC -Valid till Ass. Nr. 51071- -Valid till stock exhaustion-
2	199045	1	CLUTCH DISC -Valid from Ass. Nr. 51072- -Valid after stock exhaustion of 180613-
3	181596	1	COMPLETE ENGINE FLYWHEEL
4	103876	1	FLYWHEEL FIXING WASHER
5	103875	8	SCREW -Not as spare part- -Replaced by 201755-
5	201755	8	SCREW
6	121834	1	BRACKET
7	186157	1	RING GEAR
8	186196	6	SCREW
9	11197774	6	WASHER
10	178739	15	SCREW
11	11194379	15	WASHER
12	201024	1	COMPLETE
13	181837	1	SCRAPER RING
14	170416	1	RING
15	181838	1	SEAL RING
16	181828	1	SEAL RING
17	154507	1	RING
18	181836	1	SCRAPER RING
19	193793	1	COMPLETE BEARING SUPPORT FLANGE
20	171458	2	STUD FOR END OF STROKE -Valid till engine Nr. 81309- -Not as spare part- -Replaced by 205396-
20	205396	2	STUD FOR END OF STROKE -Valid from engine Nr. 81310-
21	10267550	2	THREADED PLUG
22	155207	2	PRELOAD SPRING
23	16287224	2	SCREW
24	155206	2	SPACER
25	136140	1	O.R. GASKET
26	172363	1	SEAL RING
27	166432	2	O.R. GASKET
28	182194	2	ANGULAR SPEED SENSOR
29	14305724	2	SCREW
30	12601274	2	WASHER
31	180183	1	CLUTCH CONTROL TUBE
32	11903811	2	UNION
33	10284460	4	GASKET
34	180184	1	BLEEDER SYSTEM PIPE
35	196918	1	BLOCK
36	16286324	1	SCREW
37	121699	1	BLEEDER SCREW
38	174554	1	COMPLETE CLUTCH HOSE
39	172964	1	FEMALE COUPLING
40	168729	1	ELECTRO-MAGNETIC SENSOR
41	10902224	1	SCREW
42	11194377	1	WASHER
43	173360	2	SPACER -Possible fitting-
44	201282	1	SUPPORT
45	14358524	2	SCREW
46	10519378	2	WASHER
47	178060	1	COMPLETE SENSOR KIT -Includes sensor ref. 50 and magnet-

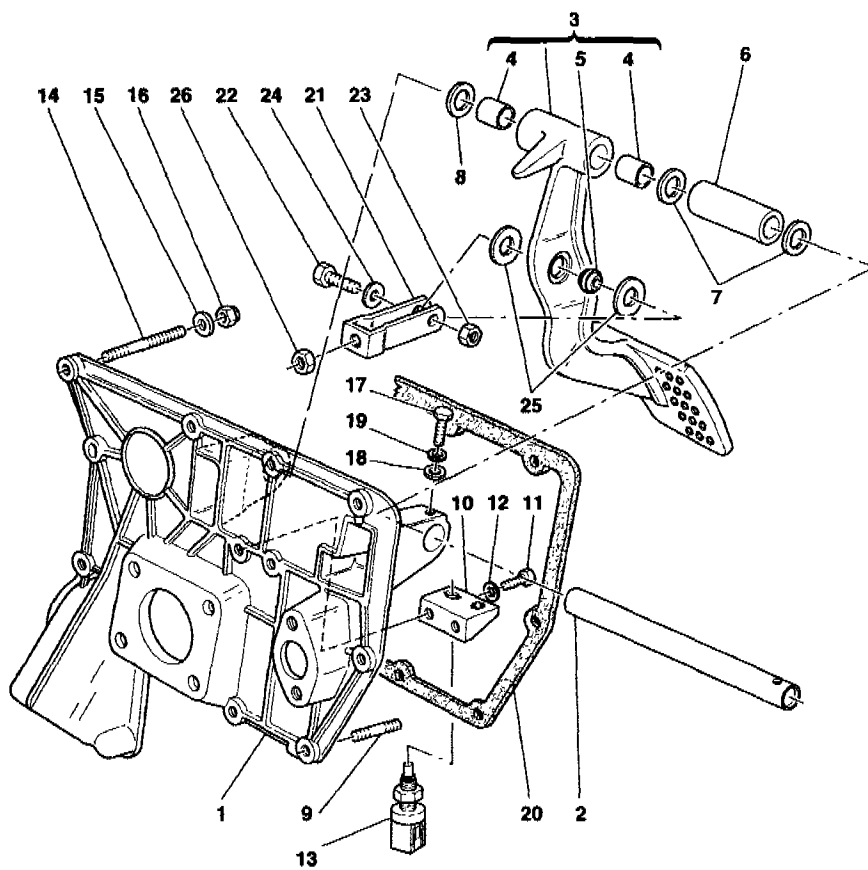
48	14303324	2	SCREW
49	10519224	2	WASHER
50	165676	1	MAGNET
			-Not as spare part-
			-Replaced by 178060-
51	165658	1	O.R. GASKET
52	167802	1	PLUG
53	165567	1	PIN
54	14158570	1	PIN
55	171454	1	UNION
56	10261060	2	GASKET
57	197831	1	SENSOR FIXING BRACKET
58	10902024	1	SCREW
59	10519424	1	WASHER
60	10979424	1	SCREW
61	14496424	1	WASHER
62	182896	2	THICKNESS
63	10440990	1	BRACKET WITH SHEATH
64	10977724	1	SCREW
65	12637824	1	WASHER
66	139512	1	BRACKET WITH SHEATH
67	102741	1	NUT
68	14496424	1	WASHER
69	170301	1	CLIP

Challenge Stradale - 27 - PEDALS -Not for GD-



Challenge Stradale - 27 - PEDALS -Not for GD-

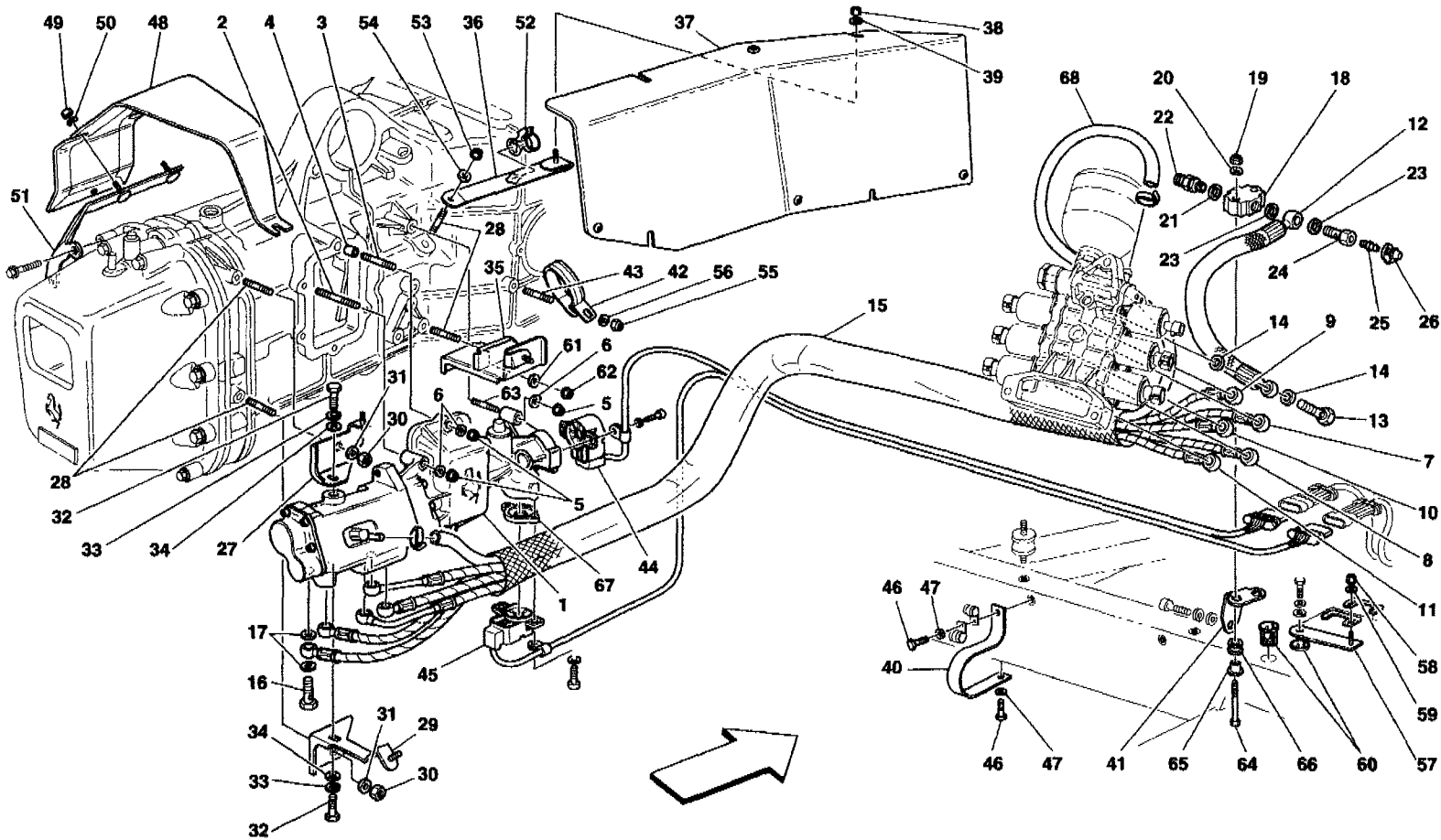
1	176464	1	PEDALS SUPPORT
2	176466	1	PEDALS SUPPORT PIN
3	196791	1	COMPLETE BRAKE PEDAL
4	103163	2	SELF-LUBRICATING BUSHING
5	176475	1	BALL JOINT
6	176918	1	SPACER
7	178340	1	SPACER WASHER -Th. 1,5mm-
7	113834	1	SPACER WASHER -Th. 1,2mm- -Possible fitting-
7	113835	1	SPACER WASHER -Th. 1,3mm- -Possible fitting-
7	113836	1	SPACER WASHER -Th. 1,4mm- -Possible fitting-
8	183818	1	SWITCH SUPPORT
9	183433	1	PUSH-BUTTON SWITCH
10	16043224	1	SCREW
11	106852	1	WASHER
12	199754	1	FORK
13	16043724	1	SCREW
14	147985	1	NUT
15	176522	2	PLASTIC WASHER
16	16102314	1	NUT
17	10902424	1	SCREW
18	10519424	1	WASHER
19	127494	1	WASHER
20	13516924	6	STUD
21	104030	6	NUT
22	12601374	6	WASHER
23	13517024	2	STUD
24	16102377	2	NUT
25	13550321	2	WASHER
26	12601374	2	WASHER
27	176524	1	PEDALS SUPPORT GASKET



Challenge Stradale - 28 - PEDALS -Valid for GD-

1	184388	1	PEDALS SUPPORT
2	177120	1	PEDALS SUPPORT PIN
3	201578	1	COMPLETE BRAKE PEDAL
4	103163	2	SELF-LUBRICATING BUSHING
5	176475	1	BALL JOINT
6	178496	1	SPACER
7	113836	2	WASHER
8	106083	1	SPACER WASHER -Th. 1mm-
8	113833	1	SPACER WASHER -Th. 1,1mm- -Possible fitting-
8	113834	1	SPACER WASHER -Th. 1,2mm- -Possible fitting-
8	113835	1	SPACER WASHER -Th. 1,3mm- -Possible fitting-
8	113836	1	SPACER WASHER -Th. 1,4mm- -Possible fitting-
9	13516924	9	STUD
10	186401	1	SMALL PLATE
11	16043224	2	SCREW
12	106852	2	WASHER
13	133555	1	PUSH-BUTTON SWITCH
14	13517524	2	STUD
15	12638524	11	WASHER
16	104030	11	NUT
17	10902424	1	SCREW
18	10519424	1	WASHER
19	127494	1	WASHER
20	177131	1	PEDALS SUPPORT GASKET
21	199754	1	FORK
22	16043724	1	SCREW
23	147985	1	NUT
24	12601374	2	WASHER
25	176522	2	PLASTIC WASHER
26	16102314	1	NUT

Challenge Stradale - 29 - F1 CLUTCH HYDRAULIC CONTROL

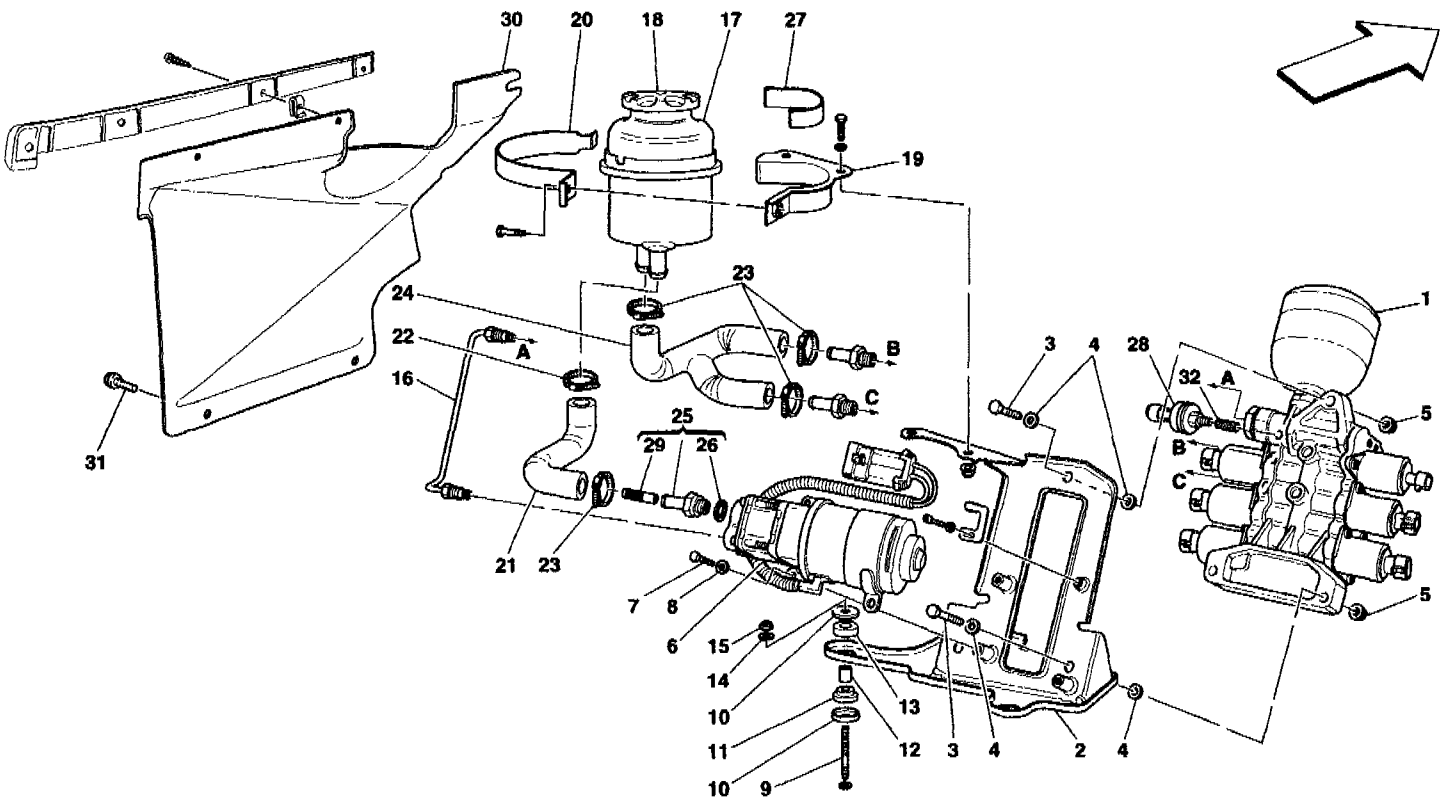


Challenge Stradale - 29 - F1 CLUTCH HYDRAULIC CONTROL

*	181161	1	F1 GEARBOX SYSTEM COMPONENTS KIT
1	181160	1	COMPLETE HYDRAULIC ACTUATOR
2	11501024	4	STUD
3	11500724	2	STUD
4	103038	2	CENTERING DOWEL
5	132877	8	NUT
6	12601279	8	WASHER
7	179340	1	PIPE (EV1)
8	179342	1	PIPE (EV2)
9	179343	1	PIPE (EV3)
10	179344	1	PIPE (EV4)
11	179345	1	PIPE (EV5)
12	179348	1	PIPE FROM PUMP TO BLOCK
13	171454	6	UNION
14	10261060	12	GASKET
15	179346	1	PROTECTION SHEATH
16	171454	5	UNION
17	10261060	10	GASKET
18	175667	1	BLOCK
19	15896214	2	NUT
20	12601279	2	WASHER
21	171755	1	WASHER
22	172965	1	QUICK MALE COUPLING
23	10261060	2	GASKET
24	171630	1	UNION
25	152954	1	BLEEDER SCREW
26	152955	1	PROTECTION BOOT
27	174257	1	UPPER ACTUATOR SUPPORT BRACKET
28	13516424	2	STUD
29	174260	1	LOWER ACTUATOR SUPPORT BRACKET
29	195549	1	-Valid till stock exhaustion- LOWER ACTUATOR SUPPORT BRACKET
30	16100814	2	NUT
31	127496	2	WASHER
32	16043124	2	SCREW
33	127496	2	WASHER
34	10519624	2	WASHER
35	180807	1	PIPES SUPPORTING BRACKET
36	181614	1	SHIELD SUPPORTING BRACKET
37	177384	1	SHIELD FOR ACTUATOR PROTECTION
38	160472	4	NUT
39	12637824	4	WASHER
40	180782	2	PIPES SUPPORTING BRACKET
41	186685	1	BLOCK SUPPORT BRACKET
42	124034	1	BRACKET WITH SHEATH
43	13540724	1	STUD
44	181325	1	SELECTION SENSOR
45	181325	1	COUPLING SENSOR
46	10902124	4	SCREW
47	14496424	4	WASHER
48	180744	1	SENSOR PROTECTION SHIELD
49	160472	2	NUT
50	12637824	2	WASHER
51	180745	1	SHIELD SUPPORTING BRACKET
52	164565	1	CLIP
53	177778	1	NUT
54	12638524	2	WASHER
55	102741	1	NUT
56	12643724	1	WASHER
57	181344	1	CONNECTOR FIXING BRACKET
58	169180	1	NUT
59	14496324	1	WASHER
60	65891200	4	NUT WITH CAGE

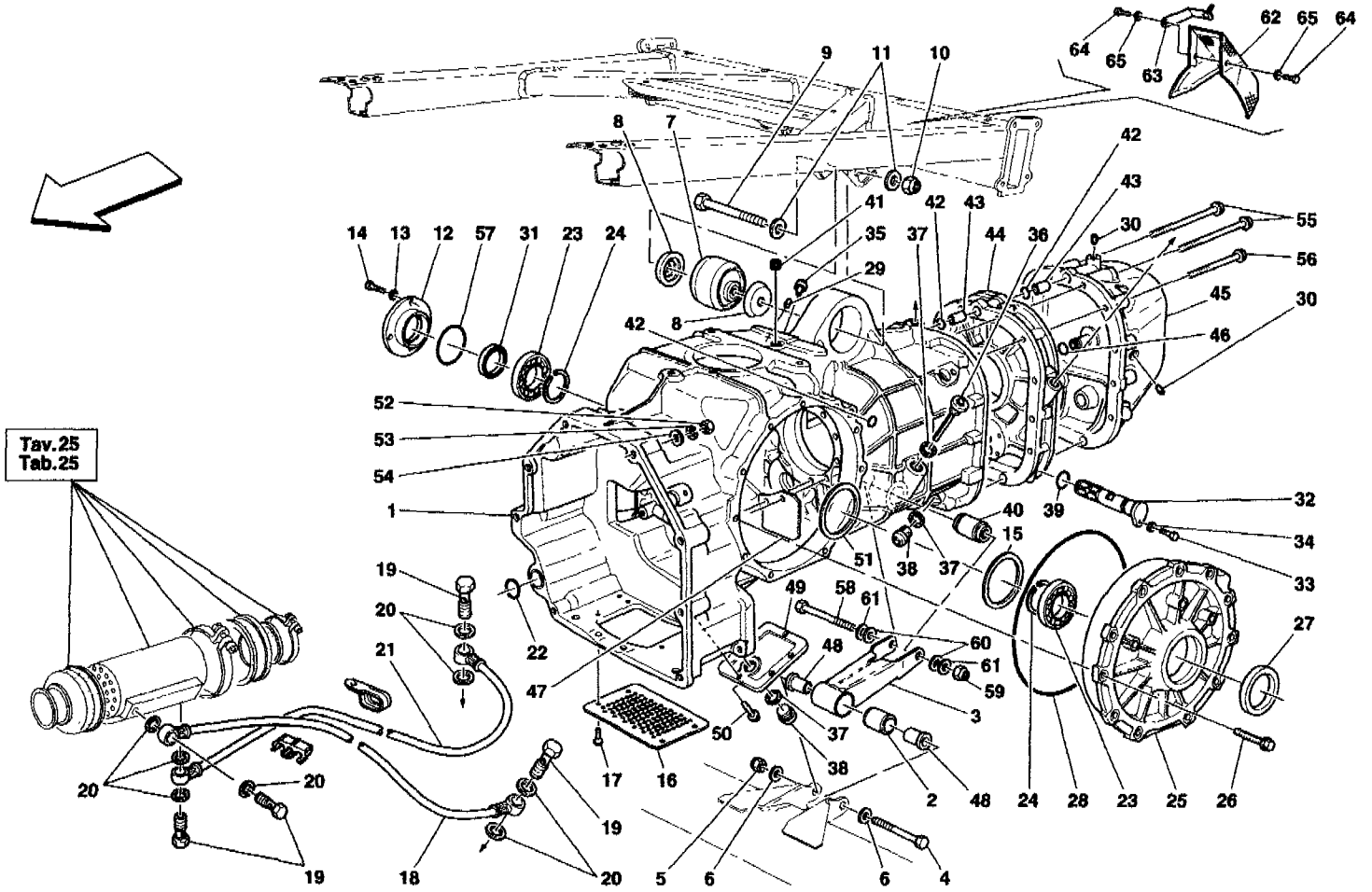
#61	12638524	2	WASHER
62	177778	2	NUT
63	11500624	2	STUD
64	10903224	2	SCREW
65	149707	2	SPACER
66	177576	2	CABLE GROMMET
67	192911	1	POTENTIOMETER SUPPORT
68	180965	1	OIL RECYCLE PIPE

Challenge-Stradale - 30 - POWER UNIT AND TANK



Challenge Stradale - 30 - POWER UNIT AND TANK

*	181161	1	F1 GEARBOX SYSTEM COMPONENTS KIT
1	179533	1	POWER UNIT
2	179296	1	POWER UNIT SUPPORTING BRACKET
3	16043834	3	SCREW
4	14496524	6	WASHER
5	175283	3	NUT
6	178757	1	ELECTRIC PUMP -Not as spare part- -Replaced by 213264-
6	213264	1	ELECTRIC PUMP
7	10902324	3	SCREW
8	14496424	3	WASHER
9	13541624	2	STUD
10	179636	6	CUP
11	179639	3	LOWER PAD
12	179637	3	SPACER
13	179638	3	UPPER PAD
14	12620474	3	WASHER
15	14058411	3	NUT
16	186037	1	PIPE FROM ELECTRICAL PUMP TO POWER UNIT
17	167002	1	OIL TANK
18	180280	1	PLUG
19	179593	1	BRACKET FOR TANK SUPPORT
20	171746	1	SUPPORT CLAMP
21	179338	1	PIPE FROM TANK TO PUMP
22	13000390	1	SCREW COLLAR
23	161490	4	SCREW COLLAR
24	181915	1	PIPE FROM TANK TO POWER UNIT
25	185858	1	COMPLETE UNION
26	10280050	1	GASKET
27	183718	1	RUBBER GASKET
28	190662	1	PRESSURE SENSOR
29	193540	1	UNION FILTER
30	67734700	1	L.H. PANEL -Not for USA, CDN and J-
30	67948200	1	L.H. PANEL -Valid for USA, CDN and J-
30	67734600	1	R.H. PANEL
31	147365	4	SCREW
32	213111	1	FILTER

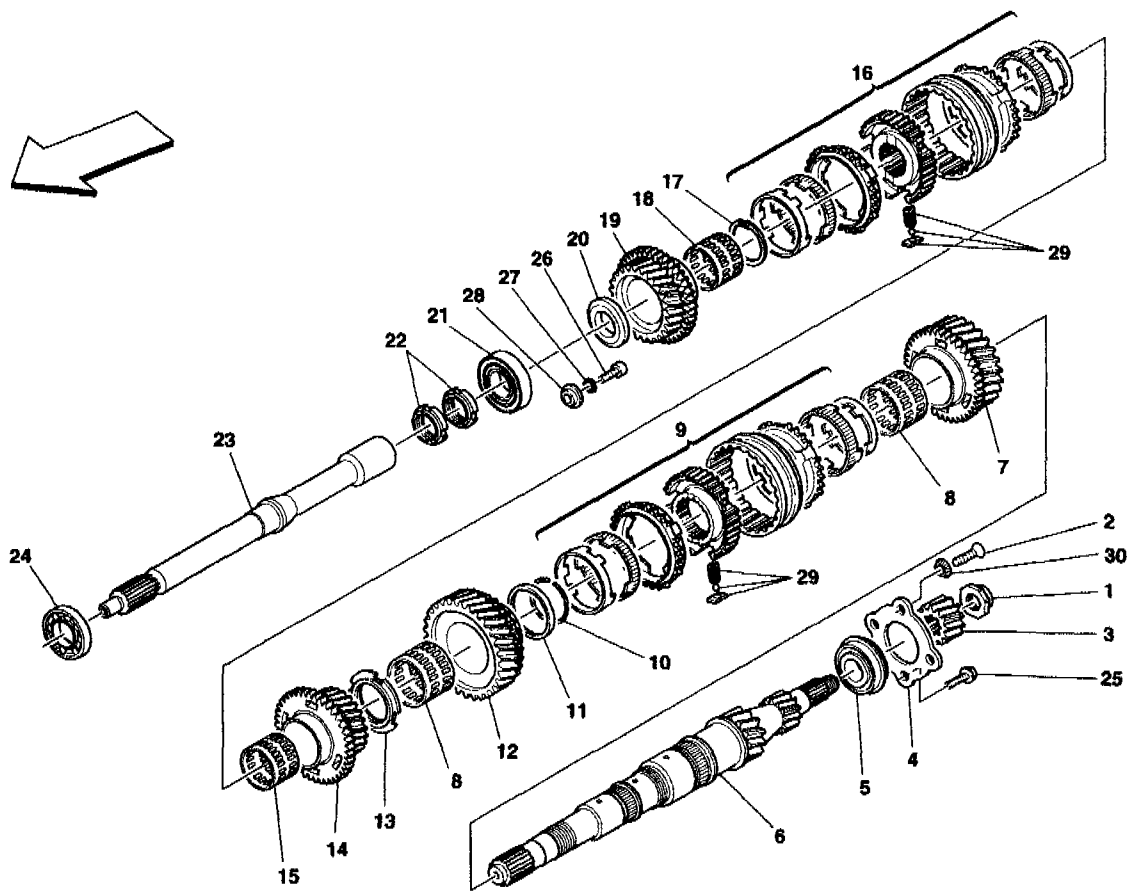


Challenge Stradale - 31 - GEARBOX - COVERS

*	186248	1	BOX TRANSMISSION
1	194432	1	COMPLETE TRANSMISSION
2	181755	1	PAD
3	174458	1	SMALL LINK
4	15541234	1	SCREW
5	102825	1	NUT
6	14496724	2	WASHER
7	186698	1	GEARBOX SUPPORT PAD
8	188141	2	RETAINING WASHER
9	11117134	1	SCREW
10	106004	1	NUT
11	14496824	2	WASHER
12	183981	1	R.H. FLANGE FOR SHAFT
13	11194377	4	WASHER
14	10902224	4	SCREW
15	185026	1	RING
			-Thickness mm. 6,8-
15	185027	1	RING
			-Thickness mm. 6,4-
			-Possible fitting-
15	185028	1	RING
			-Thickness mm. 6,0-
			-Possible fitting-
16	171701	1	PROTECTION DRILLET PLATE
17	111189	4	SCREW
18	173686	1	OIL DELIVERY TUBE
19	184727	4	UNION
20	145192	8	GASKET
21	173687	1	OIL RETURN TUBE
22	123236	1	O.R. GASKET
23	184995	2	BALL BEARING
24	184994	2	FLEXIBLE RING
25	171117	1	DIFFERENTIAL COVER
26	16287321	11	SCREW
27	181617	1	L.H. OIL RING
28	14468781	1	GASKET
29	10268350	1	THREADED PLUG
30	182106	2	THREADED PLUG
31	181618	1	R.H. OIL RING
32	182100	1	GEAR BOX OIL FILTER
33	10977624	1	SCREW
34	11199277	1	WASHER
35	182118	1	OIL VENT
36	182117	1	OIL LEVEL ROD
37	10263460	3	GASKET
38	183962	2	PLUG
39	182119	1	O.R. GASKET
40	183490	1	PAD
41	14324911	1	PLUG
42	14456981	4	GASKET
43	150957	4	CENTERING BUSHING
44	173611	1	PLATE
45	173612	1	REAR COVER
46	137192	2	GASKET
47	183986	1	PLATE
48	183457	2	BUSHING
49	171045	1	LOWER COVER
50	16286121	6	SCREW
51	185029	1	RING
			-Thickness mm. 3,30-
51	185033	1	RING
			-Thickness mm. 2,95-
			-Possible fitting-
51	185034	1	RING
			-Thickness mm. 2,60-
			-Possible fitting-
52	133988	6	NUT
53	127497	6	WASHER

54	14496624	6	WASHER
55	184008	2	SCREW
			-Not as spare part-
			-Replaced by 16297424-
55	16297424	2	SCREW
56	16288221	10	SCREW
57	14460981	1	O.R. GASKET
58	15213834	1	SCREW
59	104030	1	NUT
60	125322	2	WASHER
61	14496524	4	WASHER
62	67912300	1	FRONT SHIELD
63	67912400	1	SUPPORT BRACKET
64	10977624	2	SCREW
65	14446924	2	WASHER

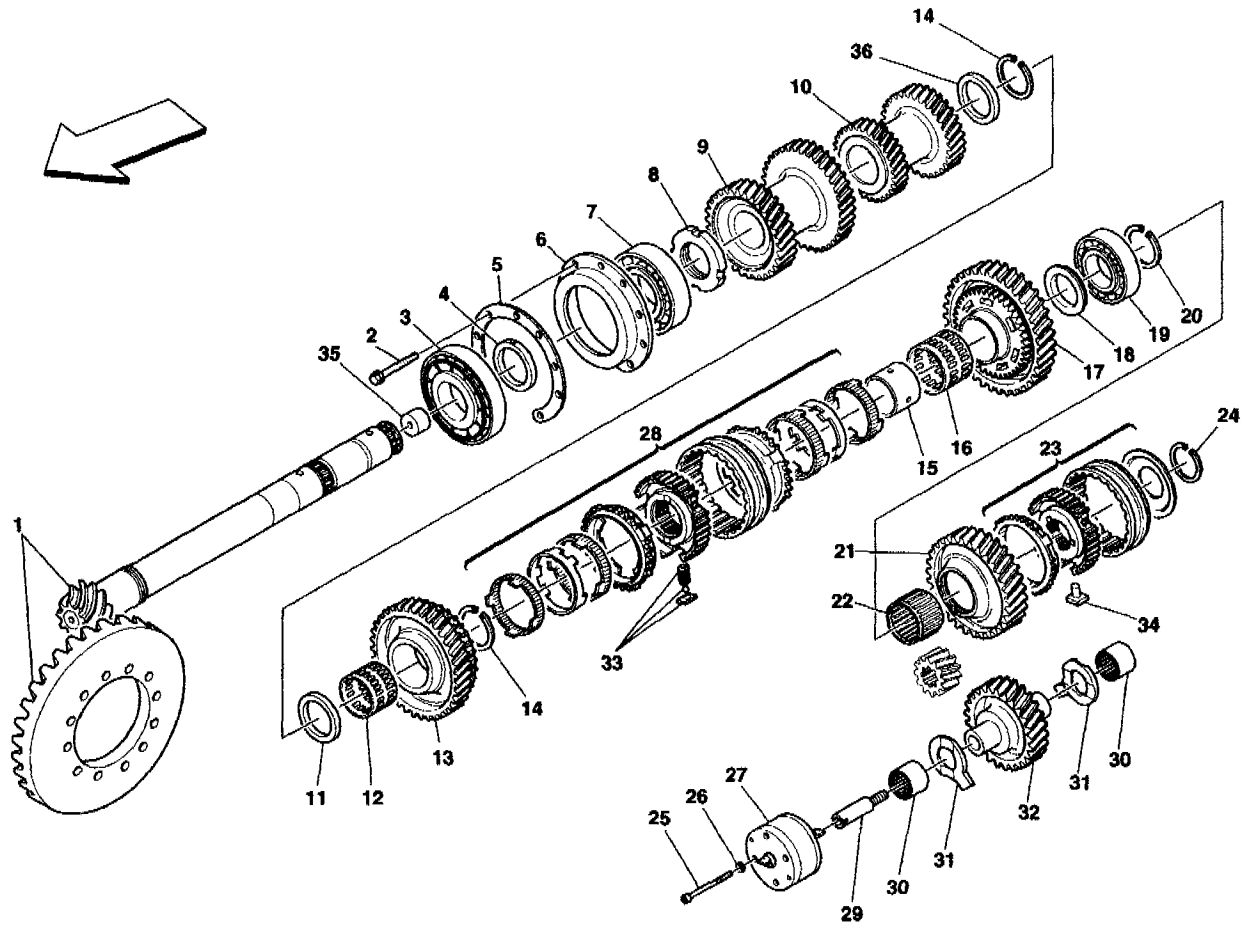
Challenge Stradale - 32 - MAIN SHAFT GEARS



Challenge Stradale - 32 - MAIN SHAFT GEARS

1	183967	1	RING NUT
2	14442027	2	SCREW
3	183966	1	REVERSE DRIVING GEAR
4	183984	1	REAR PLATE
5	184019	1	BALL BEARING
6	183964	1	MAIN SHAFT
7	183949	1	PINION FOR 5th GEAR
8	184015	2	ROLLER CAGE
9	185166	1	5th AND 6th GEAR COMPLETE SYNCHRONIZER
10	184011	1	FLEXIBLE RING
11	183970	1	SPACER FOR PINION FOR 6th GEAR
12	183950	1	PINION FOR 6th GEAR
13	184010	1	RING
14	183947	1	PINION FOR 3rd GEAR
15	184014	1	ROLLER CAGE
16	185165	1	3rd AND 4th GEAR COMPLETE SYNCHRONIZER
17	184042	1	FLEXIBLE RING
18	184005	1	ROLLER CAGE
19	183948	1	PINION FOR 4th GEAR
20	183973	1	WASHER
21	184021	1	ROLLER BEARING
22	184012	2	RING NUT
23	183965	1	CLUTCH SHAFT
24	184013	1	BALL BEARING
25	16287124	2	SCREW
26	14305721	1	SCREW
27	10569274	1	WASHER
28	183985	1	BUSHING
29	188320	2	PAD FOR SYNCHRONIZER/BALL/ SPRING REPLACEMENT KIT
30	12606979	2	WASHER

Challenge Stradale - 33 - LAY SHAFT GEARS

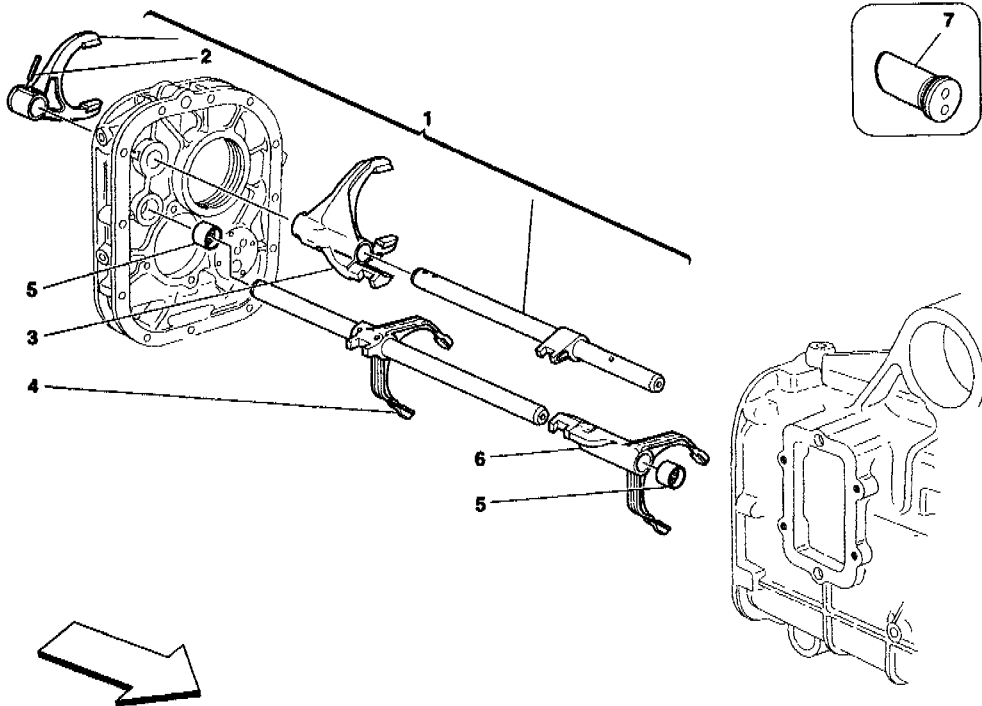


Challenge Stradale - 33 - LAY SHAFT GEARS

1	197822	1	COMPETE BEVEL SET
2	16287731	9	SCREW -Not as spare part- -Replaced by 16287730-
2	16287730	9	SCREW
3	185022	1	ROLLER BEARING
4	185045	1	REGISTER RING -Thickness mm. 7,10-
4	185028	1	REGISTER RING -Thickness mm. 6-
4	185027	1	-Possible fitting- REGISTER RING -Thickness mm. 6,4-
5	185042	1	-Possible fitting- REGISTER RING
5	185043	1	-Thickness mm. 2,8- REGISTER RING
5	185044	1	-Thickness mm. 2,5- -Possible fitting- REGISTER RING -Thickness mm. 2,2-
6	185020	1	-Possible fitting- BEARING SUPPORT
7	185021	1	ROLLER BEARING
8	196667	1	RING NUT
9	197821	1	3rd AND 4th DRIVEN GEAR
10	188461	1	5th AND 6th DRIVEN GEAR
11	189791	1	RING
11	189792	1	-Thickness mm. 6,1- RING -Thickness mm. 5,8-
12	184014	1	-As an alternative- ROLLER CAGE
13	197818	1	PINION FOR 2nd GEAR
14	183976	2	FLEXIBLE RING
14	185036	2	-Thickness mm. 2,10- FLEXIBLE RING -Thickness mm. 1,85-
14	185037	2	-Possible fitting- FLEXIBLE RING -Thickness mm. 1,60-
15	183971	1	-Possible fitting- BUSHING
16	184016	1	ROLLER CAGE
17	197816	1	PINION FOR 1st GEAR
18	183972	1	RING -Thickness mm. 5,10-
18	185040	1	RING -Thickness mm. 4,85-
18	185041	1	-Possible fitting- RING -Thickness mm. 4,60-
19	184020	1	-Possible fitting- ROLLER BEARING
20	184042	1	FLEXIBLE RING
21	197820	1	REVERSE GEAR
22	184018	1	ROLLER CAGE
23	193439	1	REVERSE GEAR COMPLETE SYNCHRONIZER
24	184041	1	FLEXIBLE RING
25	14303624	4	SCREW
26	10571379	4	WASHER
27	185048	1	BEARBOX OIL PUMP
28	185164	1	1st AND 2nd GEAR COMPLETE SYNCHRONIZER
29	185050	1	PIN

30	*	184017	2	ROLLER CASING
31		183975	2	RING
32		197819	1	IDLE GEAR FOR REVERSE
33		188320	1	PAD FOR SYNCHRONIZER/BALL/ SPRING REPLACEMENT KIT
34		193440	1	PADS/SYNCHRO REVERSE GEAR KIT
35		201870	1	BUSHING
36		188497	1	SPACER -Thickness mm. 6,25-
36		212457	1	SPACER -Thickness mm. 6,00-

Challenge Stradale - 34 - INSIDE GEARBOX CONTROLS

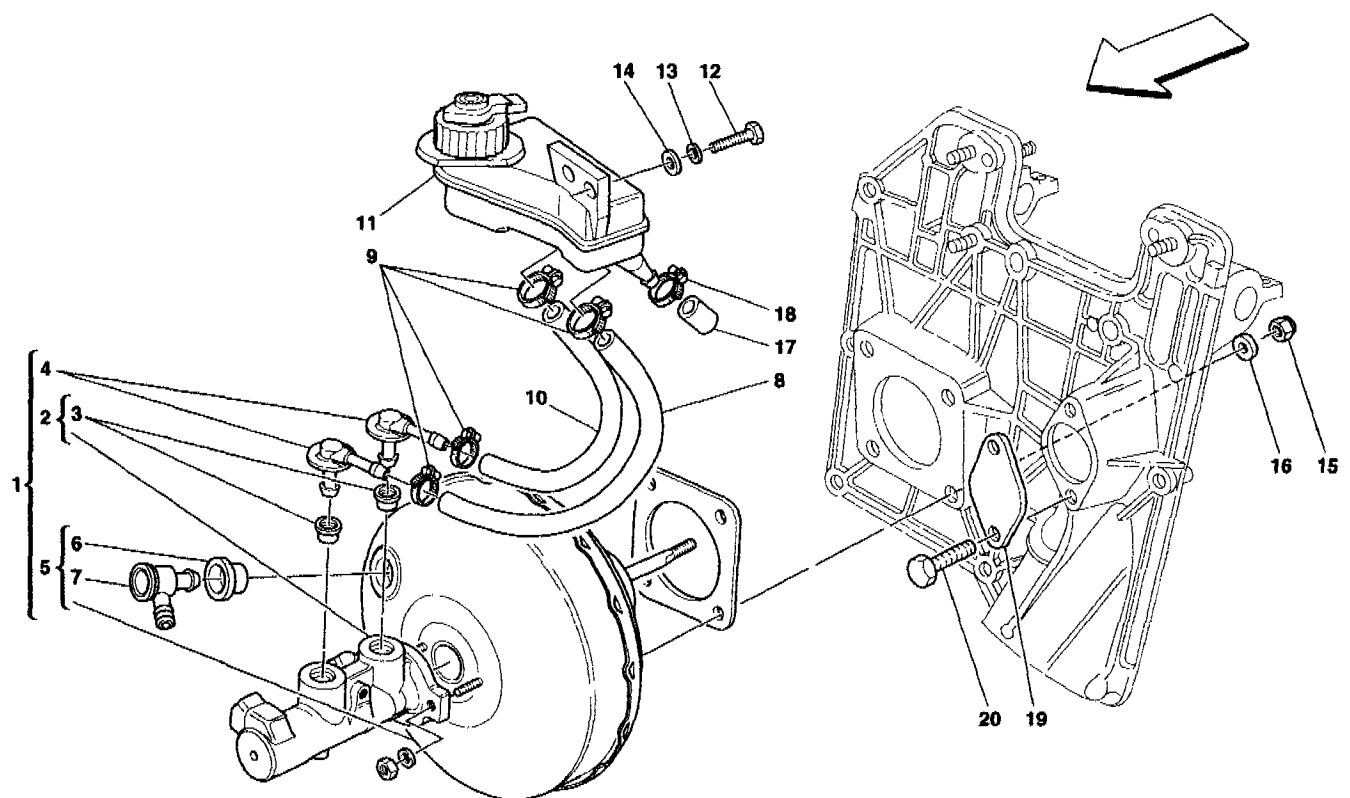


Challenge Stradale - 34 - INSIDE GEARBOX CONTROLS

1	183952	1	CONTROL ROD FOR REVERSE
2	13910470	1	FLEXIBLE PIN
3	183953	1	CONTROL FORK FOR 1st AND 2nd GEAR
4	183955	1	ROD FOR 5th AND 6th GEAR
5	183982	2	BEARING BUSH
6	184646	1	CONTROL FORK FOR 3rd AND 4th GEAR
7	180127	1	PAD FOR HOLE

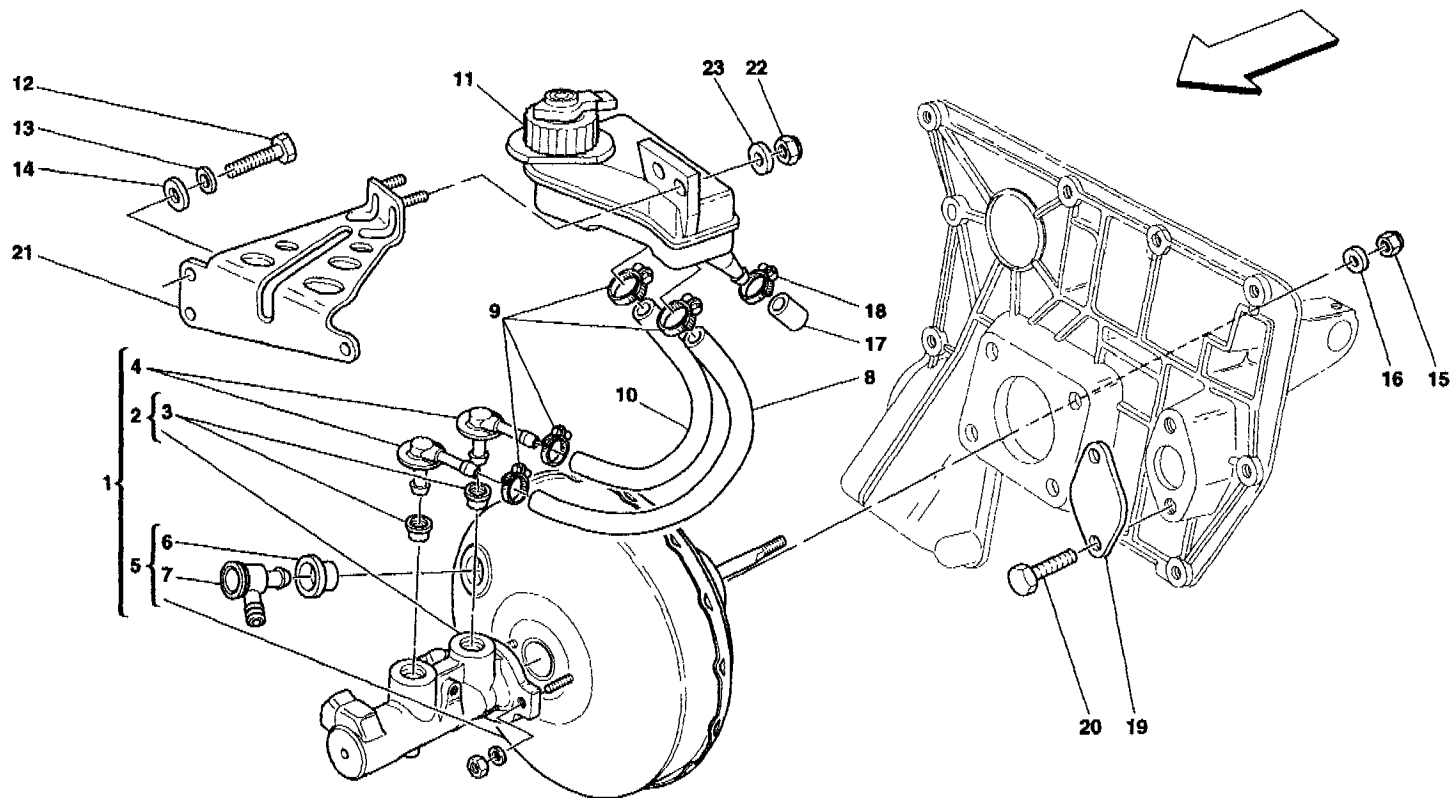
Challenge Stradale - 35 - DIFFERENTIAL AND AXLE SHAFT

1	199782	1	COMPLETE DIFFERENTIAL
2	▲ 184998	2	ROLLER BEARING
3	198531	1	R.H. SHAFT FOR DIFFERENTIAL EXIT
4	198532	1	L.H. SHAFT FOR DIFFERENTIAL EXIT
5	183909	12	SCREW
6	183552	2	AXLE SHAFT
7	181910	12	SCREW
8	149415	6	PLATE
9	184083	2	SHIELD FOR AXLE SHAFT PROTECTION
10	14048115	6	NUT
11	12601274	6	WASHER
12	12639724	6	WASHER
13	13540924	6	STUD
14	172347	4	BIG CLAMP
15	154213	4	LITTLE CLAMP
16	70000867	2	PROTECTION REPLACEMENT SET -Gearbox side-
16	70000868	2	PROTECTION REPLACEMENT SET - Wheel side-



Challenge Stradale - 36 - BRAKES HYDRAULIC CONTROL -Not for GD-

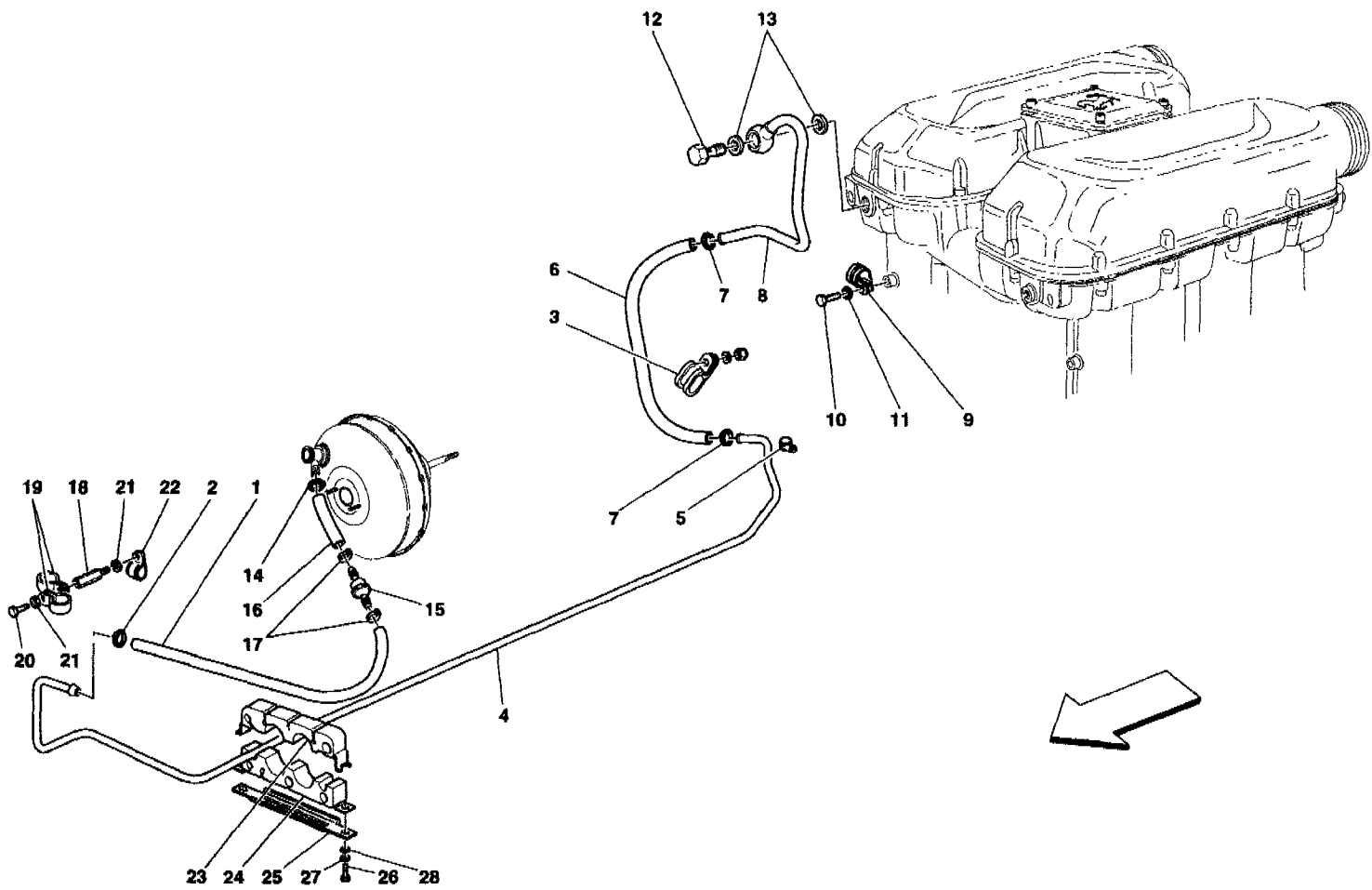
1	198634	1	COMPLETE BRAKE BOOSTER
2	---	1	BRAKE PUMP
3	---	2	CONNECTION FOR BRAKE PUMP
4	---	2	UNION
5	---	1	BOOSTER
6	---	1	CABLE GROMMET
7	---	1	UNION
8	182244	1	PIPE FROM FRONT UNION TO TANK
9	13000190	4	SCREW COLLAR
10	105857	1	PIPE FROM REAR UNION TO TANK
11	173415	1	COMPLETE BRAKE OIL TANK
12	10902524	2	SCREW
13	12601274	2	WASHER
14	14496424	2	WASHER
15	104030	4	NUT
16	12601374	4	WASHER
17	136379	1	PLUG
18	13000190	1	SCREW COLLAR
19	174177	1	FLANGE
20	16043021	2	SCREW



Challenge Stradale - 37 - BRAKES HYDRAULIC CONTROL -Valid for GD-

1	198634	1	COMPLETE BRAKE BOOSTER
2	---	1	BRAKE PUMP
3	---	2	CONNECTION FOR BRAKE PUMP
4	---	2	UNION
5	---	1	BOOSTER
6	---	1	CABLE GROMMET
7	---	1	UNION
8	182246	1	PIPE FROM FRONT UNION TO TANK
9	13000190	4	SCREW COLLAR
10	182247	1	PIPE FROM REAR UNION TO TANK
11	173415	1	COMPLETE BRAKE OIL TANK
12	10902524	2	SCREW
13	12601274	2	WASHER
14	14496424	2	WASHER
15	104030	4	NUT
16	12601374	4	WASHER
17	136379	1	PLUG
18	13000190	1	SCREW COLLAR
19	174177	1	FLANGE
20	16043021	2	SCREW
21	179101	1	BACKET FOR BRAKE OIL TANK FIXING
22	102741	2	NUT
23	14496424	2	WASHER

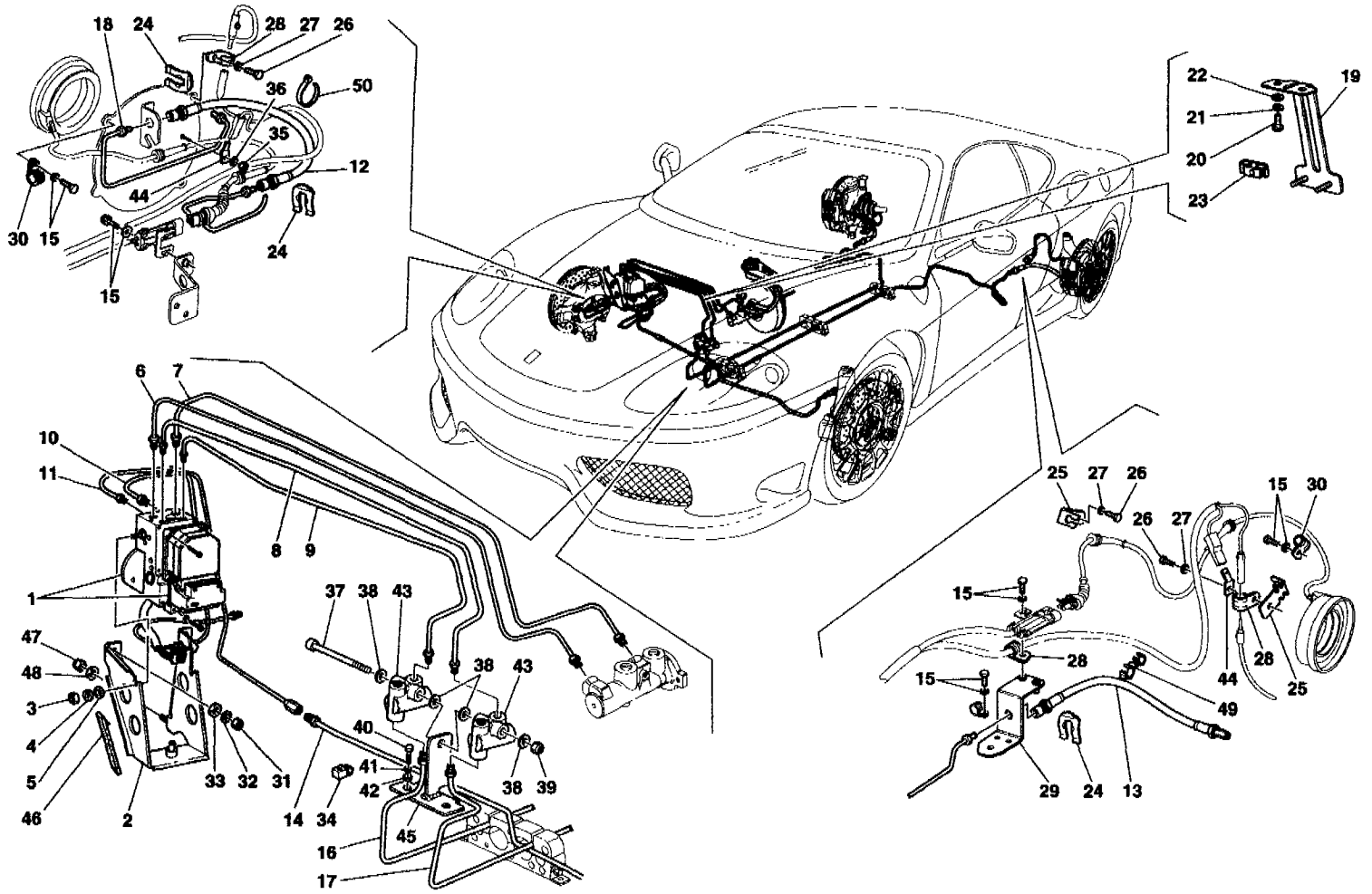
Challenge Stradale - 38 - BRAKE BOOSTER SYSTEM



Challenge Stradale - 38 - BRAKE BOOSTER SYSTEM

1	173842	1	RUBBER HOSE
2	13000390	1	SCREW COLLAR
3	61712500	2	BRACKET
4	184979	1	BRAKE BOOSTER UNDERFLOOR TUBE
4	179322	1	-Not for GD- BRAKE BOOSTER UNDERFLOOR TUBE
5	10450190	1	-Valid for GD- BRACKET WITH SHEATH
6	168386	1	RUBBER HOSE
7	161490	2	SCREW COLLAR
8	194378	1	PIPE FOR BRAKE BOOSTER FROM MANIFOLDS
9	10441390	1	BRACKET WITH SHEATH
10	10902024	1	SCREW
11	12601279	1	WASHER
12	152417	1	UNION
13	10259960	2	GASKET
14	13000390	1	SCREW COLLAR
15	193186	2	NONRETURN VALVE
16	127213	1	RUBBER HOSE TO BRAKE BOOSTER
17	164015	2	COLLAR FOR SLEEVE
18	182363	1	STUD
19	10441390	2	BRACKET WITH SHEATH
20	10902224	1	SCREW
21	127494	2	WASHER
22	10441690	1	BRACKET
23	183048	3	UPPER SUPPORT
24	183049	3	LOWER SUPPORT
25	178585	3	SMALL PLATE
26	10902424	6	SCREW
27	14499324	6	WASHER
28	12644424	6	WASHER

Challenge Stradale - 39 - BRAKE SYSTEM -Not for GD-

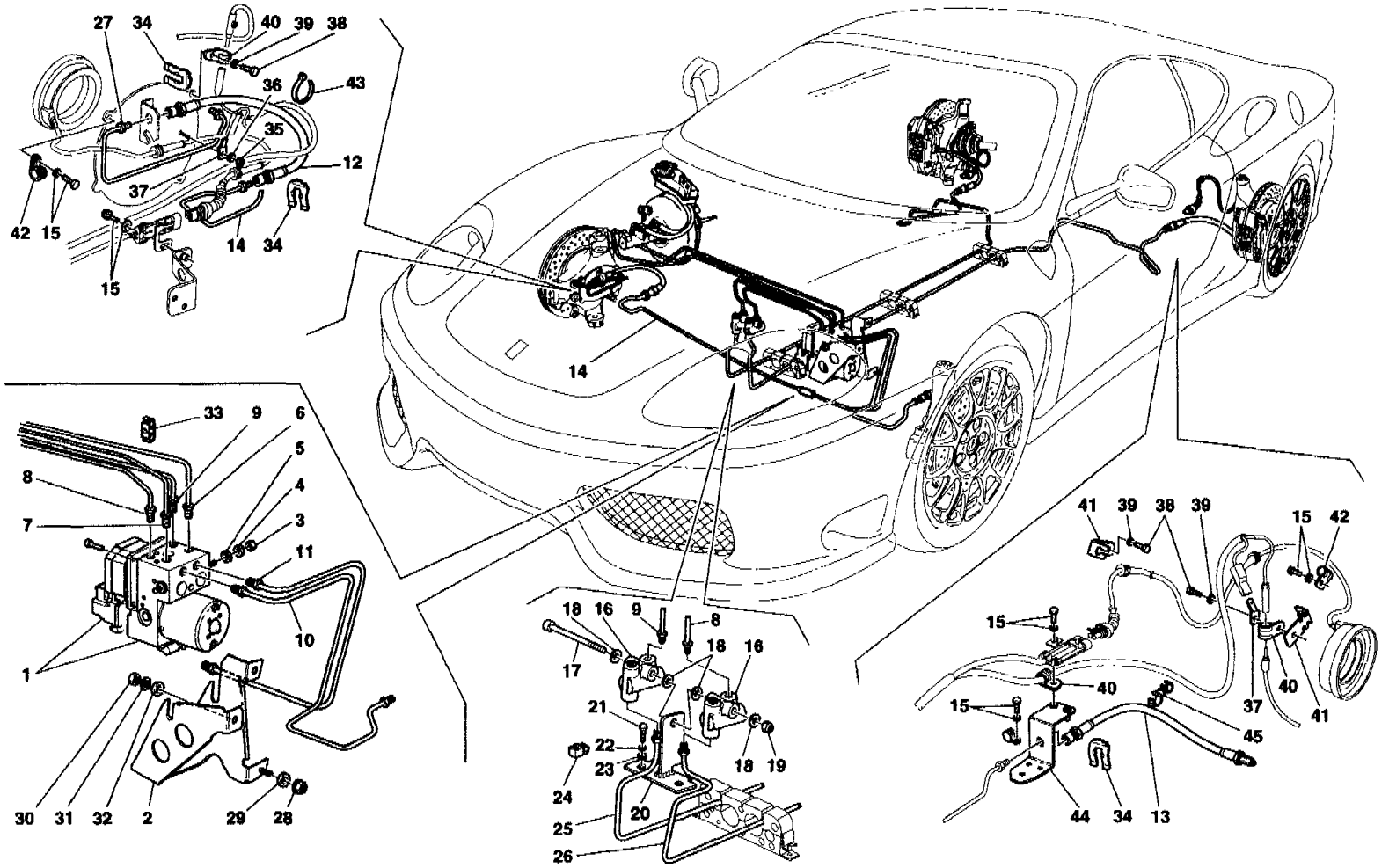


Challenge Stradale - 39 - BRAKE SYSTEM -Not for GD-

1	182535	1	ABS/ASR HYDRAULIC CONTROL STATION
2	179412	1	CONTROL STATION SUPPORTING BRACKET
3	16100814	2	NUT
4	127496	2	WASHER
5	12638524	2	WASHER
6	198633	1	BRAKE PIPE FROM FRONT PUMP TO CONTROL STATION -Valid till Ass. Nr. 57551-
6	213691	1	BRAKE PIPE FROM FRONT PUMP TO CONTROL STATION -Valid from Ass. Nr. 57552-
7	198632	1	BRAKE PIPE FROM REAR PUMP TO CONTROL STATION -Valid till Ass. Nr. 57551-
7	213690	1	BRAKE PIPE FROM REAR PUMP TO CONTROL STATION -Valid from Ass. Nr. 57552-
8	196426	1	PIPE FROM CONTROL STATION TO L.H. BRAKING REGULATOR -Valid till Ass. Nr. 57551-
8	213693	1	PIPE FROM CONTROL STATION TO L.H. BRAKING REGULATOR -Valid from Ass. Nr. 57552-
9	196429	1	PIPE FROM CONTROL STATION TO R.H. BRAKING REGULATOR -Valid till Ass. Nr. 57551-
9	213692	1	PIPE FROM CONTROL STATION TO R.H. BRAKING REGULATOR -Valid from Ass. Nr. 57552-
10	178463	1	PIPE FROM CONTROL STATION TO INTERMEDIATE PIPE -Valid till Ass. Nr. 57551-
10	213653	1	PIPE FROM CONTROL STATION TO INTERMEDIATE PIPE -Valid from Ass. Nr. 57552-
11	164308	1	PIPE FROM CONTROL STATION TO R.H. FRONT BRAKE PIPE -Valid till Ass. Nr. 57551-
11	213654	1	PIPE FROM CONTROL STATION TO R.H. FRONT BRAKE PIPE -Valid from Ass. Nr. 57552-
12	116373	2	FRONT HOSE
13	118100	2	HOSE
14	164309	1	INTERMEDIATE PIPE -Valid till Ass. Nr. 57551-
14	213648	1	INTERMEDIATE PIPE -Valid from Ass. Nr. 57552-
15	11625724	14	SCREW WITH WASHER
16	196424	1	PIPE FROM BRAKING REGULATOR TO R.H. REAR JOINT -Valid till Ass. Nr. 57551-
16	213697	1	PIPE FROM BRAKING REGULATOR TO R.H. REAR JOINT -Valid from Ass. Nr. 57552-
17	196427	1	PIPE FROM BRAKING REGULATOR TO L.H. REAR JOINT -Valid till Ass. Nr. 57551-
17	213698	1	PIPE FROM BRAKING REGULATOR TO L.H. REAR JOINT -Valid from Ass. Nr. 57552-
18	200324	1	PIPE TO R.H. FRONT BRAKE -Valid till Ass. Nr. 57551-
18	213694	1	PIPE TO R.H. FRONT BRAKE -Valid from Ass. Nr. 57552-
18	200325	1	PIPE TO L.H. FRONT BRAKE -Valid till Ass. Nr. 57551-

18	213696	1	PIPE TO L.H. FRONT BRAKE -Valid from Ass. Nr. 57552-
19	177945	1	BRAKES PIPES FIXING BRACKET
20	10902424	2	SCREW
21	127494	2	WASHER
22	14488624	2	WASHER
23	169476	2	CLIP
24	116374	10	CLIP
25	178938	4	SUPPORT FOR CABLE
26	10902124	4	SCREW
27	14496324	4	WASHER
28	10441190	4	BRACKET WITH SHEATH
29	185283	2	REAR SUPPORT
30	10440890	4	BRACKET WITH SHEATH
31	16100814	2	NUT
32	127496	2	WASHER
33	12638524	2	WASHER
34	169477	1	CLIP
35	15896470	2	NUT
36	149951	2	WASHER
37	14307124	2	SCREW
38	14496524	4	WASHER
39	101139	2	NUT
40	10902424	2	SCREW
41	127494	2	WASHER
42	12643724	2	WASHER
43	172979	2	BRAKING REGULATOR
44	143405	4	KEY
45	198063	1	BRACKET FOR BRAKING REGULATOR SUPPORTING
46	197149	1	ANTI-VIBRATIONS
47	101139	1	NUT
48	12638524	1	WASHER
49	150738	6	FLEXIBLE CLIP
50	145854	6	TEAR TYPE CLAMP

Challenge Stradale - 40 - BRAKE SYSTEM -Valid for GD-



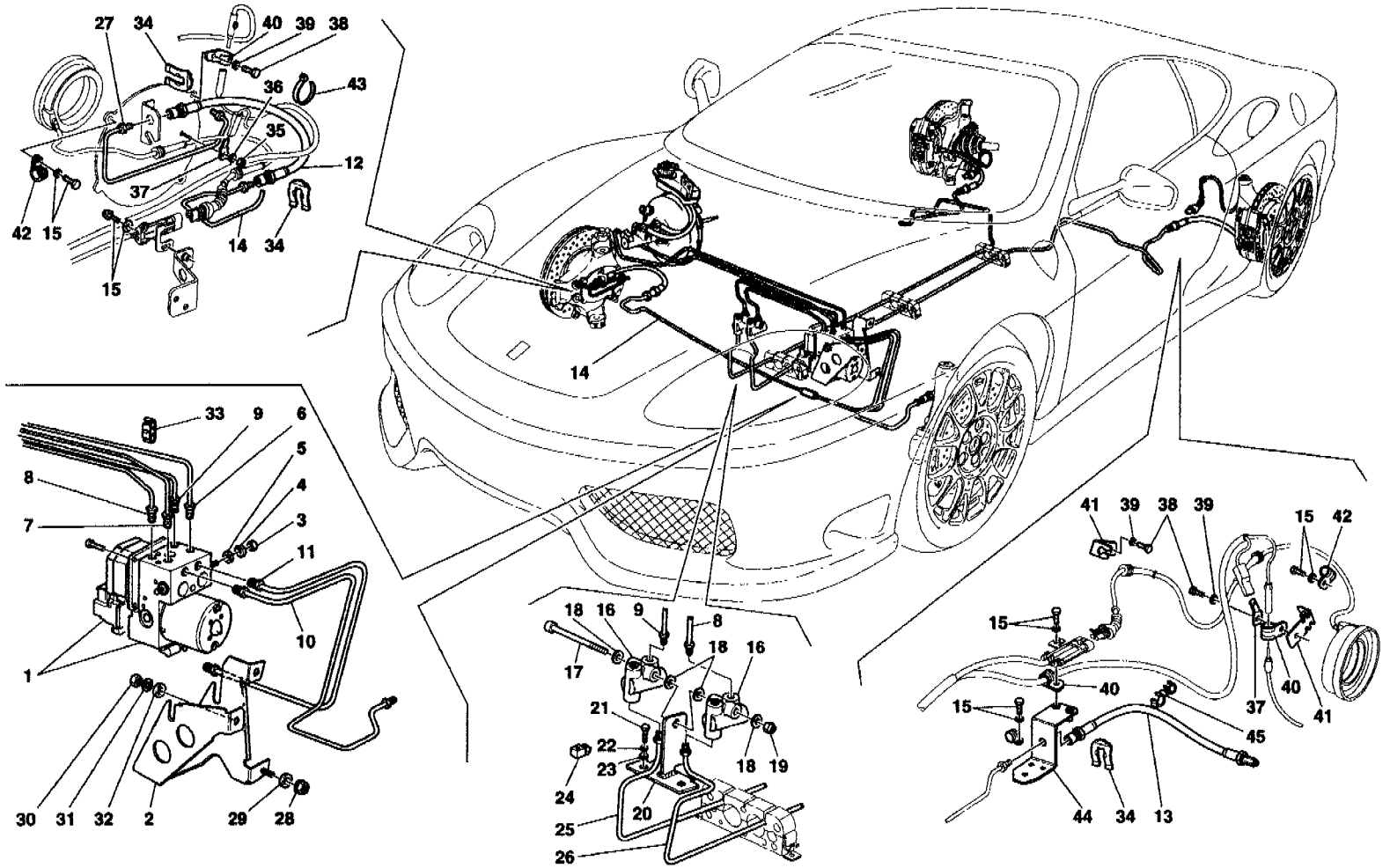
Challenge Stradale - 40 - BRAKE SYSTEM -Valid for GD-

1	182535	1	ABS/ASR HYDRAULIC CONTROL STATION
2	177512	1	CONTROL STATION SUPPORTING BRACKET
3	16100814	2	NUT
4	127496	2	WASHER
5	12638524	2	WASHER
6	201585	1	BRAKE PIPE FROM FRONT PUMP TO CONTROL STATION -Valid till Ass. Nr. 57483-
6	213701	1	BRAKE PIPE FROM FRONT PUMP TO CONTROL STATION -Valid from Ass. Nr. 57484-
7	201584	1	BRAKE PIPE FROM REAR PUMP TO CONTROL STATION -Valid till Ass. Nr. 57483-
7	213700	1	BRAKE PIPE FROM REAR PUMP TO CONTROL STATION -Valid from Ass. Nr. 57484-
8	201587	1	PIPE FROM CONTROL STATION TO L.H. BRAKING REGULATOR -Valid till Ass. Nr. 57483-
8	213703	1	PIPE FROM CONTROL STATION TO L.H. BRAKING REGULATOR -Valid from Ass. Nr. 57484-
9	201586	1	PIPE FROM CONTROL STATION TO R.H. BRAKING REGULATOR -Valid till Ass. Nr. 57483-
9	213702	1	PIPE FROM CONTROL STATION TO R.H. BRAKING REGULATOR -Valid from Ass. Nr. 57484-
10	177158	1	PIPE FROM CONTROL STATION TO L.H. FRONT BRAKE PIPE -Valid till Ass. Nr. 57483-
10	213659	1	PIPE FROM CONTROL STATION TO L.H. FRONT BRAKE PIPE -Valid from Ass. Nr. 57484-
11	177157	1	PIPE FROM CONTROL STATION TO UNION PIPE -Valid till Ass. Nr. 57483-
11	213658	1	PIPE FROM CONTROL STATION TO UNION PIPE -Valid from Ass. Nr. 57484-
12	116373	2	FRONT HOSE
13	118100	2	REAR HOSE
14	177161	1	UNION PIPE TO R.H. FRONT BRAKE PIPE
15	11625724	14	SCREW WITH WASHER
16	172979	2	BRAKING REGULATOR
17	14307124	2	SCREW
18	14496524	4	WASHER
19	101139	2	NUT
20	198063	1	BRACKET FOR BRAKING REGULATOR SUPPORTING
21	10902424	2	SCREW
22	127494	2	WASHER
23	12643724	2	WASHER
24	169477	1	CLIP
25	196424	1	PIPE FROM BRAKING REGULATOR TO R.H. REAR JOINT -Valid till Ass. Nr. 57483-
25	213697	1	PIPE FROM BRAKING REGULATOR TO R.H. REAR JOINT -Valid from Ass. Nr. 57484-
26	196427	1	PIPE FROM BRAKING REGULATOR TO L.H. REAR JOINT -Valid till Ass. Nr. 57483-
26	213698	1	PIPE FROM BRAKING REGULATOR

TO L.H. REAR JOINT

27	200324	1	-Valid from Ass. Nr. 57484- PIPE TO R.H. FRONT BRAKE
27	213694	1	-Valid till Ass. Nr. 57483- PIPE TO R.H. FRONT BRAKE
27	200325	1	-Valid from Ass. Nr. 57484- PIPE TO L.H. FRONT BRAKE
27	213696	1	-Valid till Ass. Nr. 57483- PIPE TO L.H. FRONT BRAKE
28	101139	1	NUT
29	12638524	1	WASHER
30	16100814	2	NUT
31	127496	2	WASHER
32	12638524	2	WASHER
33	169476	4	CLIP
34	116374	10	CLIP
35	15896470	2	NUT
36	149951	2	WASHER
37	143405	4	KEY
38	10902124	4	SCREW
39	14496324	4	WASHER
40	10441190	4	BRACKET WITH SHEATH
41	178938	4	SUPPORT FOR CABLE
42	10440890	4	BRACKET WITH SHEATH
43	145854	6	TEAR TYPE CLAMP
44	185283	2	REAR SUPPORT
45	150738	6	FLEXIBLE CLIP

Challenge Stradale - 40 - BRAKE SYSTEM -Valid for GD-



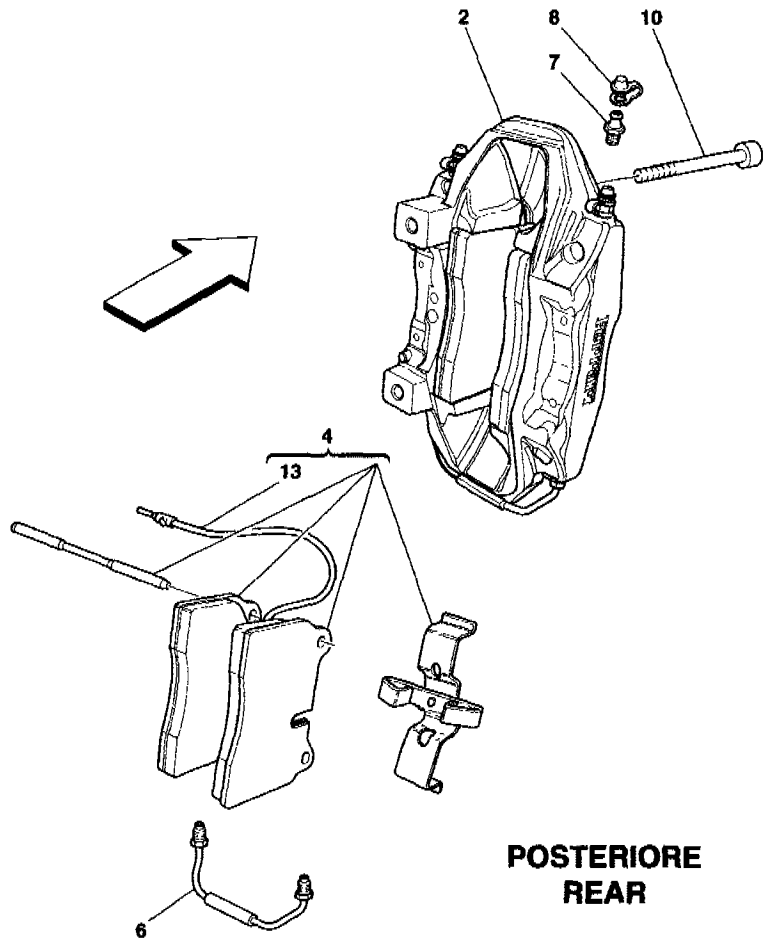
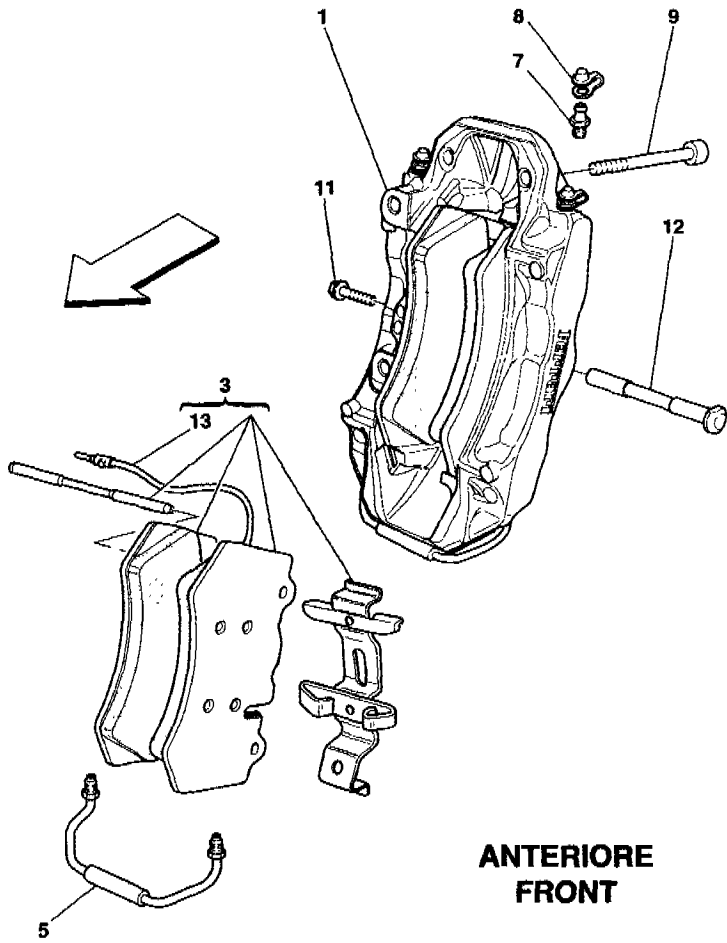
Challenge Stradale - 40 - BRAKE SYSTEM -Valid for GD-

1	182535	1	ABS/ASR HYDRAULIC CONTROL STATION
2	177512	1	CONTROL STATION SUPPORTING BRACKET
3	16100814	2	NUT
4	127496	2	WASHER
5	12638524	2	WASHER
6	201585	1	BRAKE PIPE FROM FRONT PUMP TO CONTROL STATION -Valid till Ass. Nr. 57483-
6	213701	1	BRAKE PIPE FROM FRONT PUMP TO CONTROL STATION -Valid from Ass. Nr. 57484-
7	201584	1	BRAKE PIPE FROM REAR PUMP TO CONTROL STATION -Valid till Ass. Nr. 57483-
7	213700	1	BRAKE PIPE FROM REAR PUMP TO CONTROL STATION -Valid from Ass. Nr. 57484-
8	201587	1	PIPE FROM CONTROL STATION TO L.H. BRAKING REGULATOR -Valid till Ass. Nr. 57483-
8	213703	1	PIPE FROM CONTROL STATION TO L.H. BRAKING REGULATOR -Valid from Ass. Nr. 57484-
9	201586	1	PIPE FROM CONTROL STATION TO R.H. BRAKING REGULATOR -Valid till Ass. Nr. 57483-
9	213702	1	PIPE FROM CONTROL STATION TO R.H. BRAKING REGULATOR -Valid from Ass. Nr. 57484-
10	177158	1	PIPE FROM CONTROL STATION TO L.H. FRONT BRAKE PIPE -Valid till Ass. Nr. 57483-
10	213659	1	PIPE FROM CONTROL STATION TO L.H. FRONT BRAKE PIPE -Valid from Ass. Nr. 57484-
11	177157	1	PIPE FROM CONTROL STATION TO UNION PIPE -Valid till Ass. Nr. 57483-
11	213658	1	PIPE FROM CONTROL STATION TO UNION PIPE -Valid from Ass. Nr. 57484-
12	116373	2	FRONT HOSE
13	118100	2	REAR HOSE
14	177161	1	UNION PIPE TO R.H. FRONT BRAKE PIPE
15	11625724	14	SCREW WITH WASHER
16	172979	2	BRAKING REGULATOR
17	14307124	2	SCREW
18	14496524	4	WASHER
19	101139	2	NUT
20	198063	1	BRACKET FOR BRAKING REGULATOR SUPPORTING
21	10902424	2	SCREW
22	127494	2	WASHER
23	12643724	2	WASHER
24	169477	1	CLIP
25	196424	1	PIPE FROM BRAKING REGULATOR TO R.H. REAR JOINT -Valid till Ass. Nr. 57483-
25	213697	1	PIPE FROM BRAKING REGULATOR TO R.H. REAR JOINT -Valid from Ass. Nr. 57484-
26	196427	1	PIPE FROM BRAKING REGULATOR TO L.H. REAR JOINT -Valid till Ass. Nr. 57483-
26	213698	1	PIPE FROM BRAKING REGULATOR

TO L.H. REAR JOINT

27	200324	1	-Valid from Ass. Nr. 57484- PIPE TO R.H. FRONT BRAKE
27	213694	1	-Valid till Ass. Nr. 57483- PIPE TO R.H. FRONT BRAKE
27	200325	1	-Valid from Ass. Nr. 57484- PIPE TO L.H. FRONT BRAKE
27	213696	1	-Valid till Ass. Nr. 57483- PIPE TO L.H. FRONT BRAKE
28	101139	1	NUT
29	12638524	1	WASHER
30	16100814	2	NUT
31	127496	2	WASHER
32	12638524	2	WASHER
33	169476	4	CLIP
34	116374	10	CLIP
35	15896470	2	NUT
36	149951	2	WASHER
37	143405	4	KEY
38	10902124	4	SCREW
39	14496324	4	WASHER
40	10441190	4	BRACKET WITH SHEATH
41	178938	4	SUPPORT FOR CABLE
42	10440890	4	BRACKET WITH SHEATH
43	145854	6	TEAR TYPE CLAMP
44	185283	2	REAR SUPPORT
45	150738	6	FLEXIBLE CLIP

Challenge Stradale - 41 - CALIPERS FOR FRONT AND REAR BRAKES

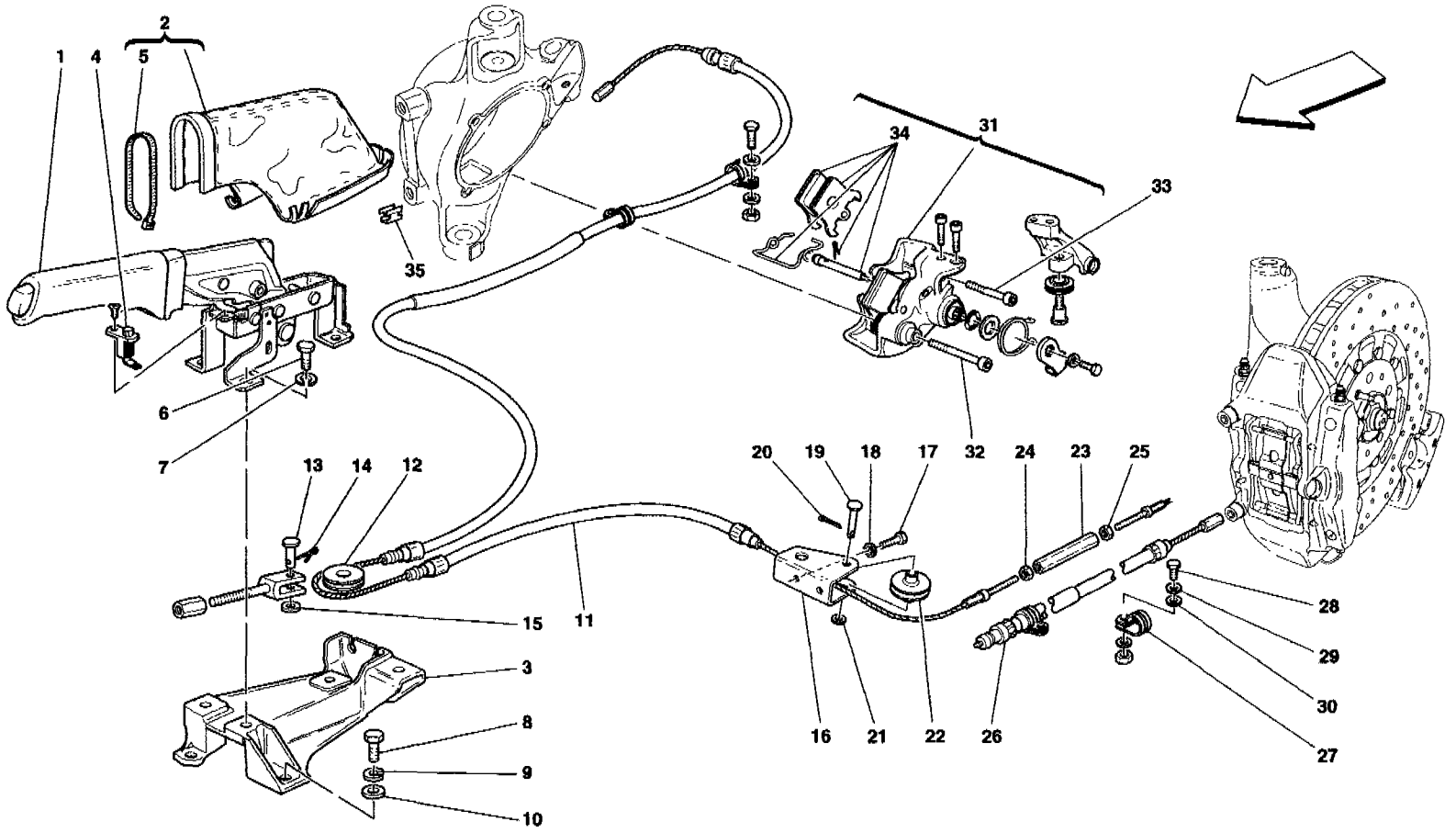


Challenge Stradale - 41 - CALIPERS FOR FRONT AND REAR BRAKES

1	196679	1	R.H. FRONT CALIPER UNIT WITH PADS -Black-
1	200416	1	R.H. FRONT CALIPER UNIT WITH PADS -Red-
1	200418	1	R.H. FRONT CALIPER UNIT WITH PADS -Silver-
1	200420	1	R.H. FRONT CALIPER UNIT WITH PADS -Yellow-
1	202502	1	R.H. FRONT CALIPER UNIT WITH PADS -Scuderia red-
1	196680	1	L.H. FRONT CALIPER UNIT WITH PADS -Black-
1	200417	1	L.H. FRONT CALIPER UNIT WITH PADS -Red-
1	200419	1	L.H. FRONT CALIPER UNIT WITH PADS -Silver-
1	200421	1	L.H. FRONT CALIPER UNIT WITH PADS -Yellow-
1	202503	1	L.H. FRONT CALIPER UNIT WITH PADS -Scuderia red-
2	196835	1	R.H. REAR CALIPER UNIT WITH PADS -Black-
2	200558	1	R.H. REAR CALIPER UNIT WITH PADS -Red-
2	200566	1	R.H. REAR CALIPER UNIT WITH PADS -Silver-
2	200572	1	R.H. REAR CALIPER UNIT WITH PADS -Yellow-
2	202508	1	R.H. REAR CALIPER UNIT WITH PADS -Scuderia red-
2	196836	1	L.H. REAR CALIPER UNIT WITH PADS -Black-
2	200561	1	L.H. REAR CALIPER UNIT WITH PADS -Red-
2	200567	1	L.H. REAR CALIPER UNIT WITH PADS -Silver-
2	200573	1	L.H. REAR CALIPER UNIT WITH PADS -Yellow-
2	202509	1	L.H. REAR CALIPER UNIT WITH PADS -Scuderia red-
3	70000976	1	KIT OF FRONT PADS WITH SPRING -Valid till Ass. Nr.54390- -Not as spare part- -Replaced by 70001080- -Replace in couple-
3	70001080	1	KIT OF FRONT PADS WITH SPRING

4	7000966	1	-Valid from Ass. Nr.54391- -Replace in couple- KIT OF REAR PADS WITH SPRING
4	70001081	1	-Valid till Ass. Nr.54390- -Not as spare part- -Replaced by 70001081- -Replace in couple- KIT OF REAR PADS WITH SPRING
5	198012	2	-Valid from Ass. Nr.54391- -Replace in couple- FRONT CONNECTION PIPE
6	198013	2	REAR CONNECTION PIPE
7	152954	4	UNIONWITH EXHAUST VALVE
8	152955	4	PROTECTION BOOT
9	195167	2	SCREW
10	196837	2	SCREW
11	198014	2	SCREW
12	198015	2	TIE ROD
13	200366	4	WEAR TAG FOR PADS
13	177689	4	-Valid till Ass. Nr.54390- -Not as spare part- -Replaced by 177689- -Replace in couple- WEAR TAG FOR PADS -Valid from Ass. Nr.54391- -Replace in couple-

Challenge Ștradale - 42 - HAND-BRAKE CONTROL

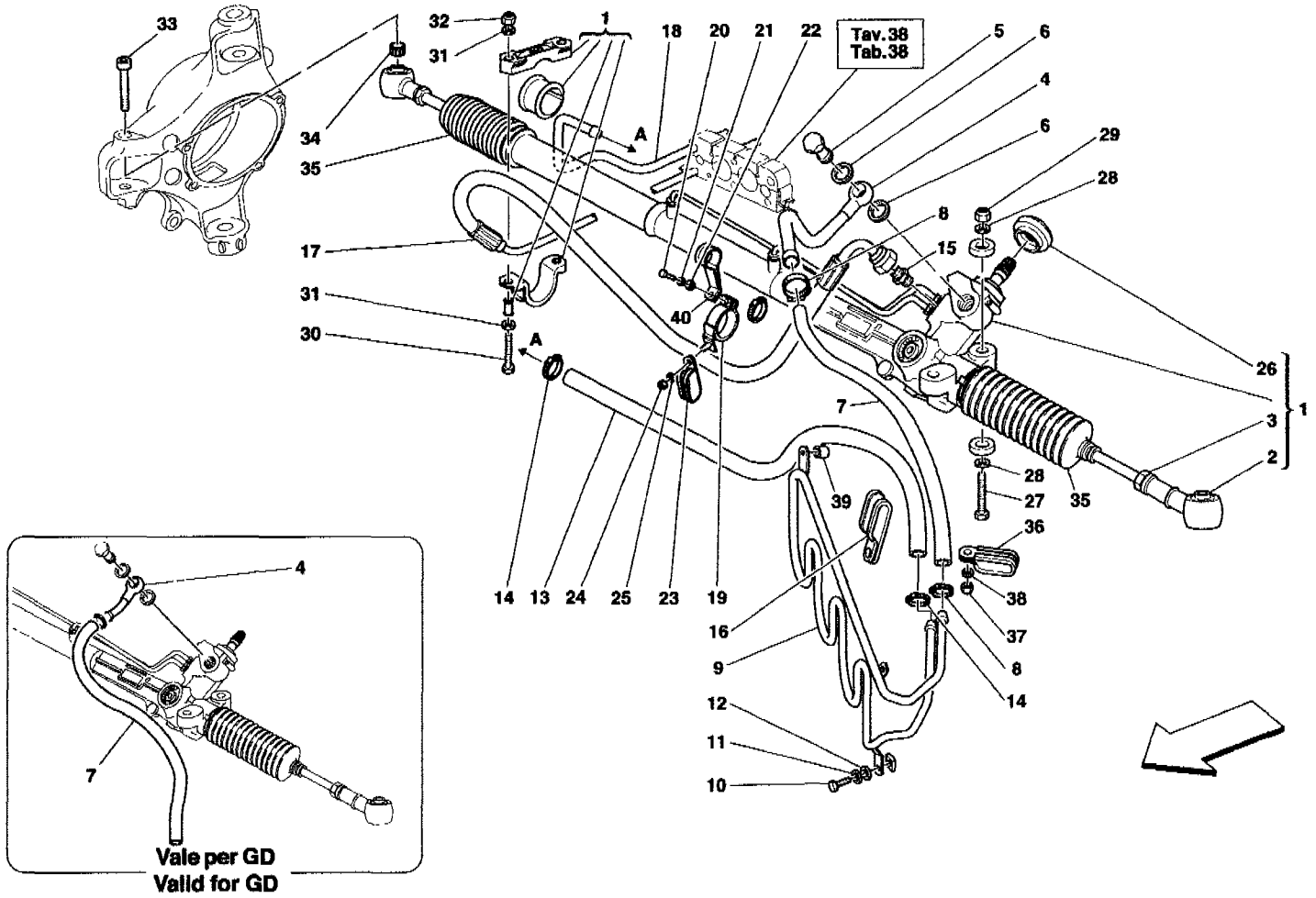


Challenge Stradale - 42 - HAND-BRAKE CONTROL

1	173526	1	HAND BRAKE LEVER
2	676801..	1	LINING
3	173401	1	LEVER FOR SHAFT FIXING
4	176118	1	MICRO-SWITCH
5	145854	3	CLAMP
6	16043224	3	SCREW
7	127496	3	WASHER
8	16043434	3	SCREW
9	127496	3	WASHER
10	14496524	3	WASHER
11	179293	1	R.H. REAR CABLE
12	122091	1	PULLEY FOR CABLE
13	10050814	1	PIVOT
14	10734208	1	SPLIT PIN
15	14496524	1	WASHER
16	176245	1	BRACKET FOR CABLE FIXING
17	10902024	2	SCREW
18	12605374	2	WASHER
19	10041214	1	PIVOT
20	10734208	1	SPLIT PIN
21	14496524	1	WASHER
22	176261	1	PULLEY FOR CABLE
23	10091014	1	ADJUSTMENT SLEEVE
24	10725914	1	NUT
25	10727314	1	NUT
26	179292	1	L.H. REAR CABLE
27	10441390	5	BRACKET WITH SHEATH
28	10902224	3	SCREW
29	12605374	3	WASHER
30	12644424	3	WASHER
31	196400	1	R.H. CALIPER FOR HAND BRAKE
31	196401	1	L.H. CALIPER FOR HAND BRAKE
32	14308424	1	SCREW
33	14308924	1	SCREW
34	70000969	1	KIT OF HAND BRAKES PADS WITH SPRING
35	65934100	5	FIXING CLIP

For particular colour matchings, make order by Fax or E-m@il, specifying serial number. - See "INNER TRIMS CAR CODES" table for codes of parts covered in leather or moquette.

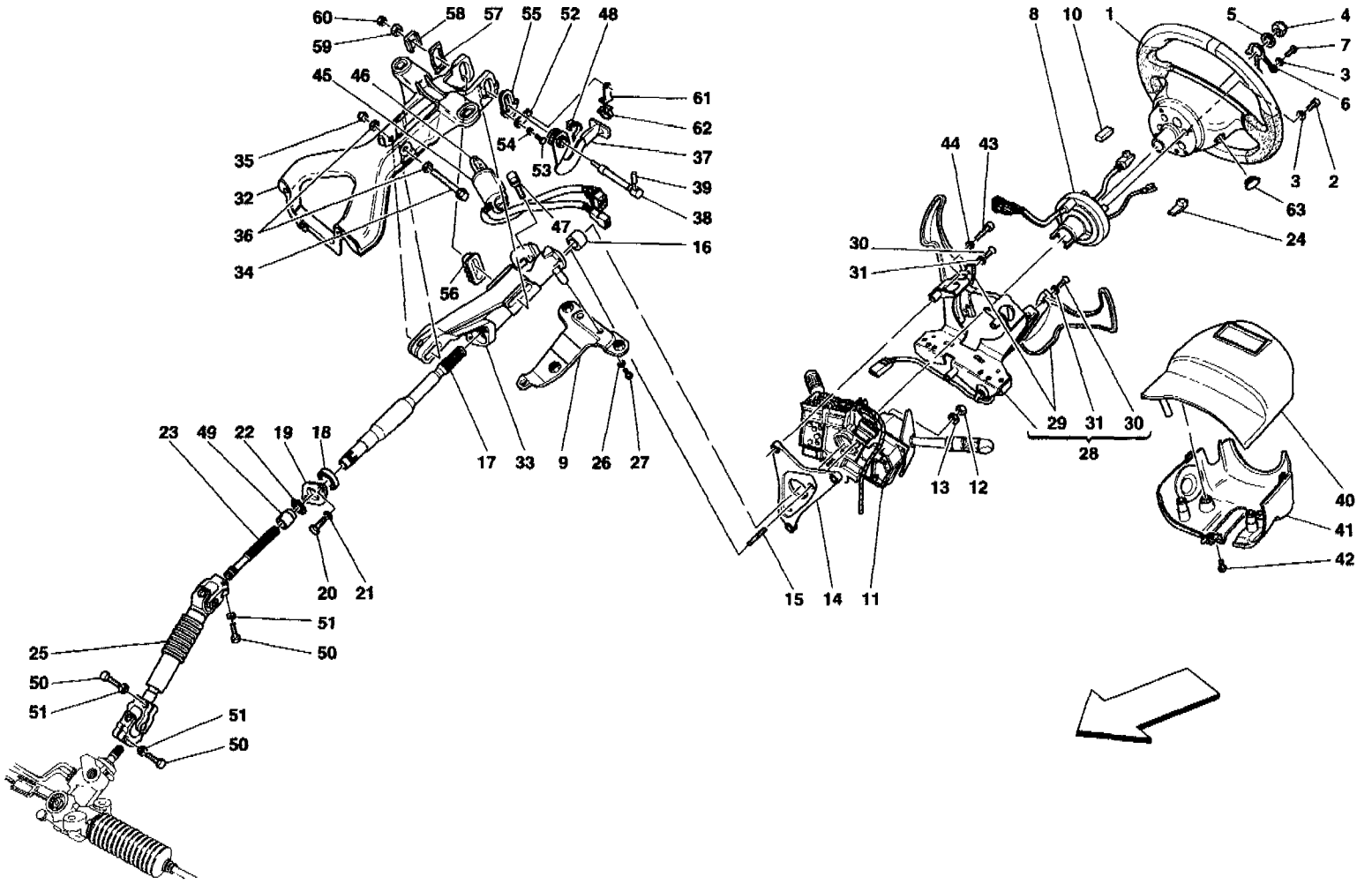
Challenge Stradale - 43 - HYDRAULIC STEERING BOX AND SERPENTINE



Challenge Stradale - 43 - HYDRAULIC STEERING BOX AND SERPENTINE

1	196171	1	RACK STEERING BOX WITH POWER STEERING -Not for GD-
1	196172	1	RACK STEERING BOX WITH POWER STEERING -Valid for GD-
2	181882	2	BALL TIE ROD
3	10791324	2	NUT
4	186719	1	SWINGING UNION -Not for GD-
4	177943	1	SWINGING UNION -Valid for GD-
5	10185111	1	UNION
6	10280060	2	GASKET
7	187696	1	RUBBER HOSE -Not for GD-
7	169890	1	RUBBER HOSE -Valid for GD-
8	161490	2	SCREW COLLAR
9	179106	1	REFRIGERATING COIL
10	10902124	3	SCREW
11	12601274	4	WASHER
12	14496424	4	WASHER
13	181920	1	RUBBER HOSE
14	13000390	2	SCREW COLLAR
15	201706	1	THREADED UNION
16	66076900	1	BRACKET WITH SHEATH
17	185514	1	COMPLETE DELIVERY PIPE UNDER THE FLOOR -Valid till Ass. Nr.53102- -Not for GD-
17	204084	1	L.H. DELIVERY PIPE FROM UNION TO STEERING BOX -Valid from Ass. Nr. 53103- -Not for GD-
17	185515	1	COMPLETE DELIVERY PIPE UNDER THE FLOOR -Valid till Ass. Nr.53102- -Valid for GD-
17	209769	1	R.H. DELIVERY PIPE FROM UNION TO STEERING BOX -Valid from Ass. Nr. 53103- -Valid for GD-
18	184980	1	RETURN PIPE UNDER THE FLOOR
19	177631	2	PIPES FIXING BRACKET
20	10902424	2	SCREW
21	127494	2	WASHER
22	12639724	2	WASHER
23	10441690	2	BRACKET WITH SHEATH
24	102948	2	NUT
25	12639724	2	WASHER
26	171519	1	COMPLETE RING
27	16237174	2	SCREW
28	14496624	4	WASHER
29	102742	2	NUT
30	16237074	2	SCREW
31	14496624	4	WASHER
32	102742	2	NUT
33	179556	2	SCREW
34	179555	2	COMPENSATOR RING
35	70000948	1	BELLOWS REPLACEMENT KIT
36	139512	1	BRACKET WITH SHEATH
37	102741	1	NUT
38	12644424	1	WASHER
39	166730	1	SPACER
40	65996800	2	BRACKET

Challenge Stradale - 44 - STEERING COLUMN



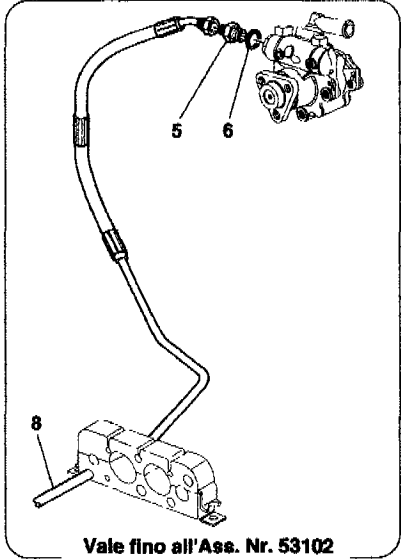
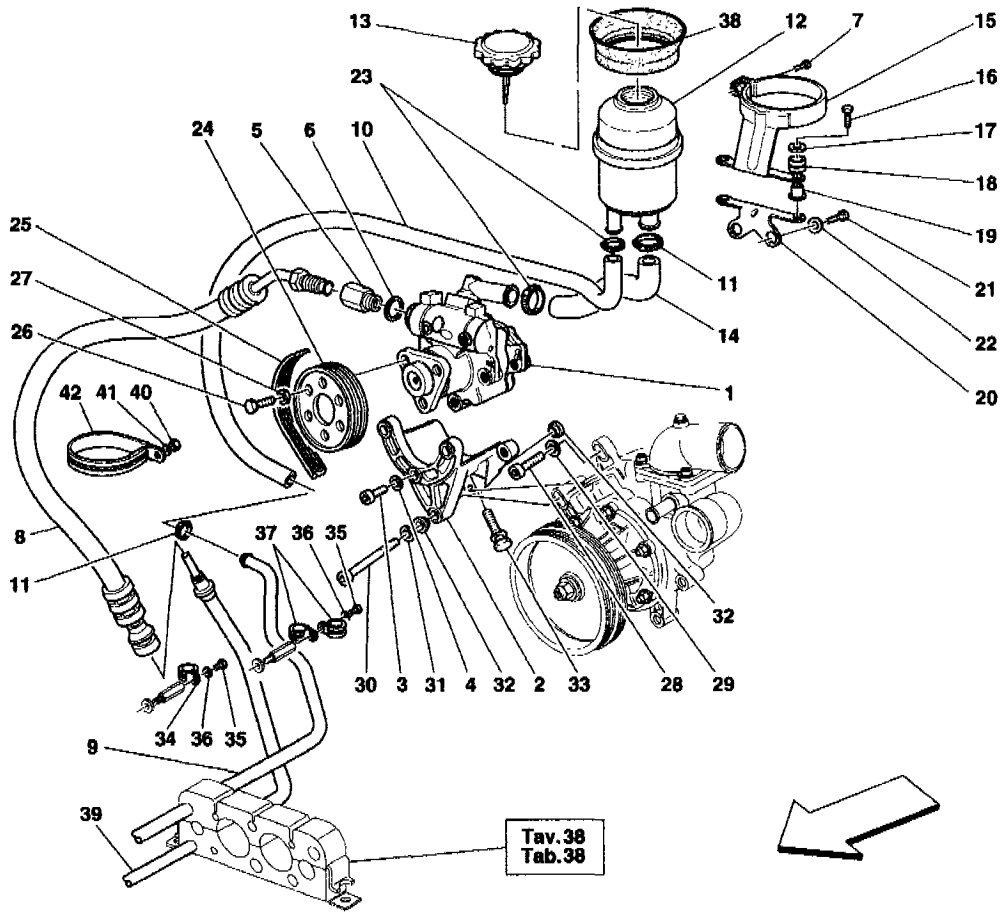
Challenge Stradale - 44 - STEERING COLUMN

1	676058..	1	STEERING WHEEL -Without air bag module- -Bicolor-
1	200107	1	STEERING WHEEL -Without air bag module- -Single colour-
2	13271914	3	SCREW
3	10615274	5	WASHER
4	101648	1	NUT
5	10730921	1	WASHER
6	157639	1	SPRING
7	11021111	2	SCREW
8	169471	1	SPIRAL CONTACT
9	65164200	1	SUPPORTING BRACKET
10	163816	1	RESISTOR FOR SPIRAL CONTACT
11	178993	1	UNHOOK DEVIATION ASSEMBLY -For normal head light-
11	177585	1	UNHOOK DEVIATION ASSEMBLY -For gas lamps head light-
12	15896470	2	NUT
13	12601174	2	WASHER
14	176360	1	BRACKET
15	11001424	2	STUD
16	171539	1	ROLLER BEARING
17	183994	1	COLUMN UPPER SHAFT
18	171540	1	BALL BEARING
19	177645	1	PLATE
20	10902224	2	SCREW
21	11181874	2	WASHER
22	11067376	1	SEEGER RING
23	183993	1	COLUMN LOWER SHAFT
24	135355	1	CONNECTOR
25	171528	1	STEERING CARDANIC TRASMISSION
26	12637878	3	WASHER
27	13274277	3	SCREW
28	196374	1	F1 GEARBOX CONTROL LEVERS ASSEMBLY
29	201895	1	COUPLE LEVERS
30	13308977	4	SCREW
31	12606673	4	WASHER
32	171505	1	STEERING COLUMN SUPPORT BRACKET -Not for GD-
32	171546	1	STEERING COLUMN SUPPORT BRACKET -Valid for GD-
33	171516	1	COLUMN SUPPORT
34	180632	1	SCREW
35	104030	1	NUT
36	12625224	2	WASHER
37	659933..	1	COVERED LEVER
38	171503	1	PIN FOR LEVER
39	10336630	1	PIN
40	65583200	1	UPPER COVER
41	65310600	1	LOWER COVER
42	15960507	2	SCREW
43	13274611	3	SCREW
44	12601174	3	WASHER
45	198908	1	LOCKS SET COMPLETED WITH STEERING LOCK AND KEY
46	202204	-	BLANK KEY
47	172563	1	ANTITHEFT FIXING SCREW
48	171531	1	PIN RETAINING SPRING
49	183995	1	RING NUT
50	192229	3	SCREW
51	192230	3	WASHER
52	171523	1	PLATE

53	10977724	2	SCREW
54	11181574	2	WASHER
55	171544	1	LEVER SIDE SLIDE
56	171501	1	FIXED SLIDE
57	171502	1	SPRING FOR SLIDE
58	171529	1	MOBILE SLIDE
59	171542	1	NUT
60	147985	1	NUT
61	177977	1	SMALL PLATE
62	178430	1	FIXING CLIP
63	185486	2	PLUG

For particular colour matchings, make order by Fax or E-m@il, specifying serial number. - See "INNER TRIMS CAR CODES" table for codes of parts covered in leather or moquette.

Challenge Stradale - 45 - HYDRAULIC STEERING PUMP AND TANK



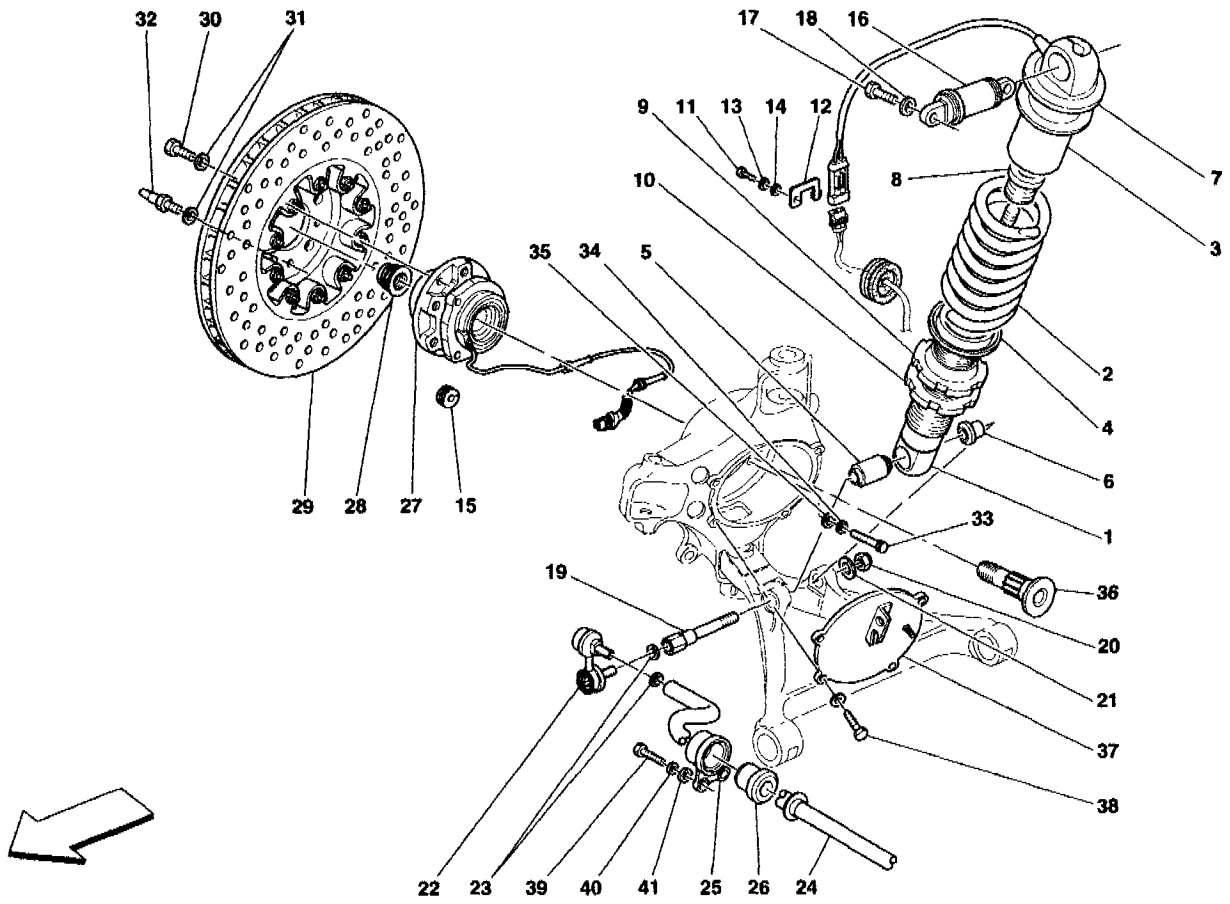
Vale fino all'Ass. Nr. 53102
Valid till Ass. Nr. 53102

Challenge Stradale - 45 - HYDRAULIC STEERING PUMP AND TANK

1	173997	1	HYDRAULIC SERVO-CONTROL PUMP
2	176162	1	PUMP SUPPORT
3	14306624	3	SCREW
4	11198074	3	WASHER
5	174091	1	UNION
5	204080	1	-Valid till Ass. Nr.53102- UNION
6	10261460	1	-Valid from Ass. Nr. 53103- GASKET
7	64830600	1	SCREW
8	185514	1	COMPLETE DELIVERY PIPE UNDER THE FLOOR
8	204081	1	-Valid till Ass. Nr.53102- -Not for GD- DELIVERY PIPE FROM PUMP TO UNION
8	185515	1	-Valid from Ass. Nr. 53103- -Not for GD- COMPLETE DELIVERY PIPE UNDER THE FLOOR
8	209768	1	-Valid till Ass. Nr.53102- -Valid for GD- DELIVERY PIPE FROM PUMP TO UNION
9	184980	1	-Valid from Ass. Nr. 53103- -Valid for GD- RETURN PIPE UNDER THE FLOOR
10	179334	1	RETURN RUBBER HOSE TO TANK
11	13000390	2	SCREW COLLAR
12	167002	1	OIL TANK FOR SERVOSTEERING
13	185353	1	OIL TANK COVER
14	179420	1	PIPE FROM TANK TO PUMP
15	179287	1	UPPER BRACKET
16	10902524	2	SCREW
17	12643724	2	WASHER
18	103549	2	CABLE GROMMET
19	149707	2	SPACER
20	179219	1	LOWER BRACKET
21	10902224	2	SCREW
22	12643724	2	WASHER
23	177996	2	CLAMP
24	170926	1	PULLEY
25	201454	1	POWER STEERING CONTROL BELT
26	16043124	3	SCREW
27	11193874	3	WASHER
28	14306724	4	SCREW
29	12601374	4	WASHER
30	14307124	1	SCREW
31	11193874	1	WASHER
32	173447	2	BUSHING
33	174028	1	ADJUSTMENT PIN
34	10441990	1	BRACKET WITH SHEATH
35	10902124	2	SCREW
36	14488624	2	WASHER
37	10441390	2	BRACKET WITH SHEATH
38	179301	1	TANK RING
39	204084	1	L.H. DELIVERY PIPE FROM UNION TO STEERING BOX
39	209769	1	-Valid from Ass. Nr. 53103- -Not for GD- R.H. DELIVERY PIPE FROM UNION TO STEERING BOX
			-Valid from Ass. Nr. 53103- -Valid for GD-

40	102741	1	NUT
41	14499324	1	WASHER
42	124034	1	BRACKET WITH SHEATH

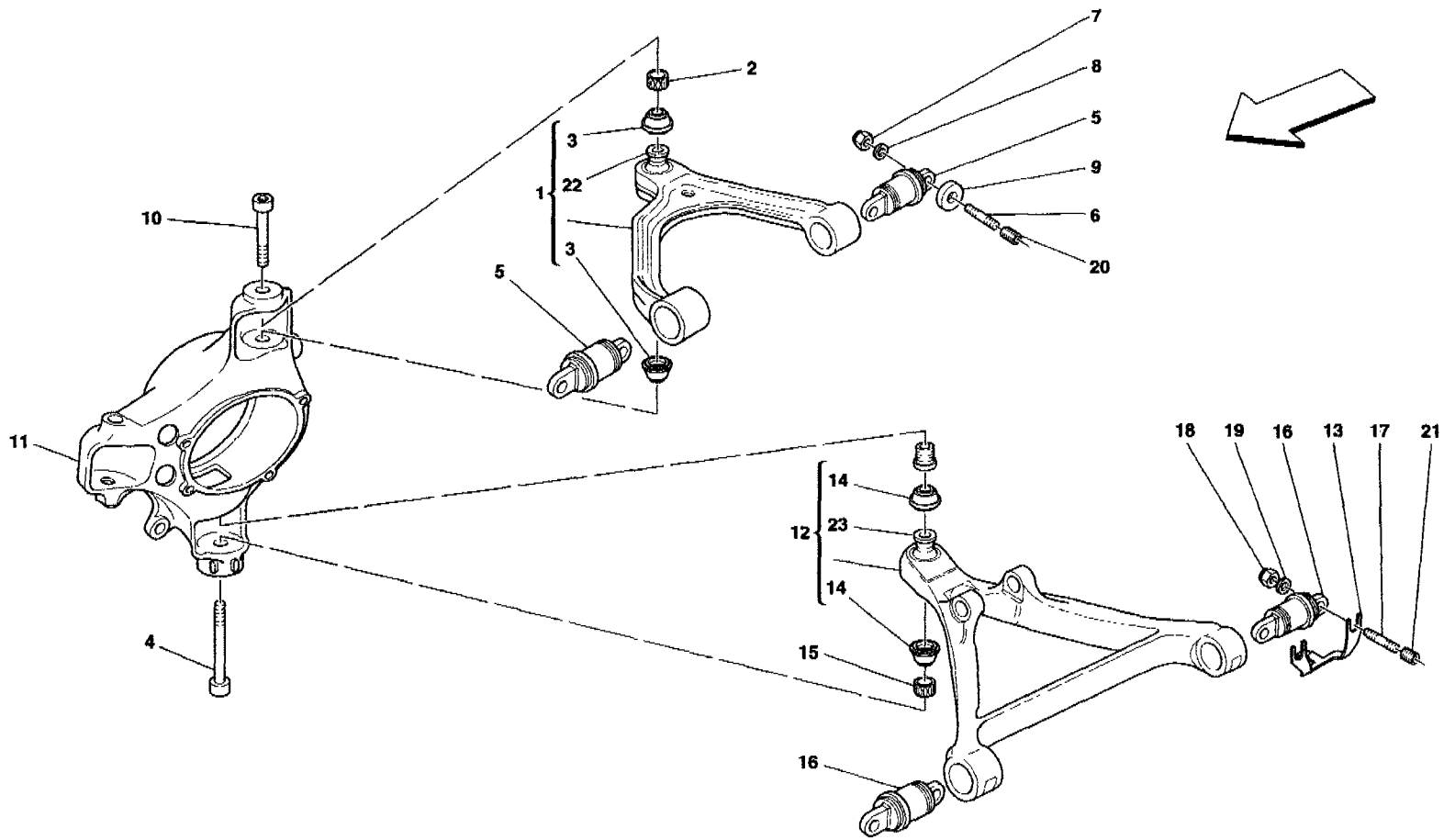
Challenge Stradale - 46 - FRONT SUSPENSION - SHOCK ABSORBER AND BRAKE DISC



Challenge Stradale - 46 - FRONT SUSPENSION - SHOCK ABSORBER AND BRAKE DISC

1	174722	2	FRONT SHOCK ABSORBER
2	195443	2	SPRING
3	177688	2	UPPER SPACER
4	169684	2	LOWER SPACER
5	157630	2	BALL JOINT
6	193492	2	SPACER
7	174727	2	SPRING RETAINING UPPER SPACER
8	174728	2	SHOCK ABSORBER PAD
9	174725	2	SPACER
10	174726	2	RING NUT
11	10902024	2	SCREW
12	162606	2	CLIP
13	127494	2	WASHER
14	12643724	2	WASHER
15	10460287	2	RING
16	181804	2	SILENTBLOCK -Valid till Ass. Nr. 56991- -Valid till stock exhaustion- -Replace together-
16	212948	2	SILENTBLOCK -Valid from Ass. Nr. 56992 and after stock exhaustion use 181804- -Replace together-
17	11306934	4	SCREW
18	160092	4	WASHER
19	193491	2	SCREW -Valid till stock exhaustion-
19	204977	2	SCREW
20	102825	2	NUT -Valid till stock exhaustion-
20	14058721	2	NUT
21	12646921	2	WASHER -Valid till stock exhaustion-
21	155002	2	WASHER
22	162620	1	R.H. BALL TIE ROD
22	162619	1	L.H. BALL TIE ROD
23	160092	4	WASHER
24	170715	1	FRONT ANTI-ROLL BAR
25	170714	2	ANTI-ROLL BAR SUPPORT -Not as spare part- -Replaced by 203607-
25	203607	2	ANTI-ROLL BAR SUPPORT
26	170588	2	BAR BUFFER
27	179070	2	HUB COMPLETE BEARING
28	167259	2	NUT -Not as spare part- -Replaced by 209184-
28	209184	2	NUT
29	202179	2	FRONT BRAKE DISC
30	16043424	2	SCREW
31	127496	4	WASHER
32	104370	2	BRAKE DISC FIXING SCREW
33	180591	8	SCREW
34	160092	8	WASHER
35	10732414	8	WASHER
36	180542	2	BEARING FIXING PIN
37	165871	1	R.H. STEERING KNUCKLE COVER
37	165872	1	L.H. STEERING KNUCKLE COVER
38	11625724	8	SCREW
39	16043424	4	SCREW
40	178341	4	WASHER
41	12638524	4	WASHER

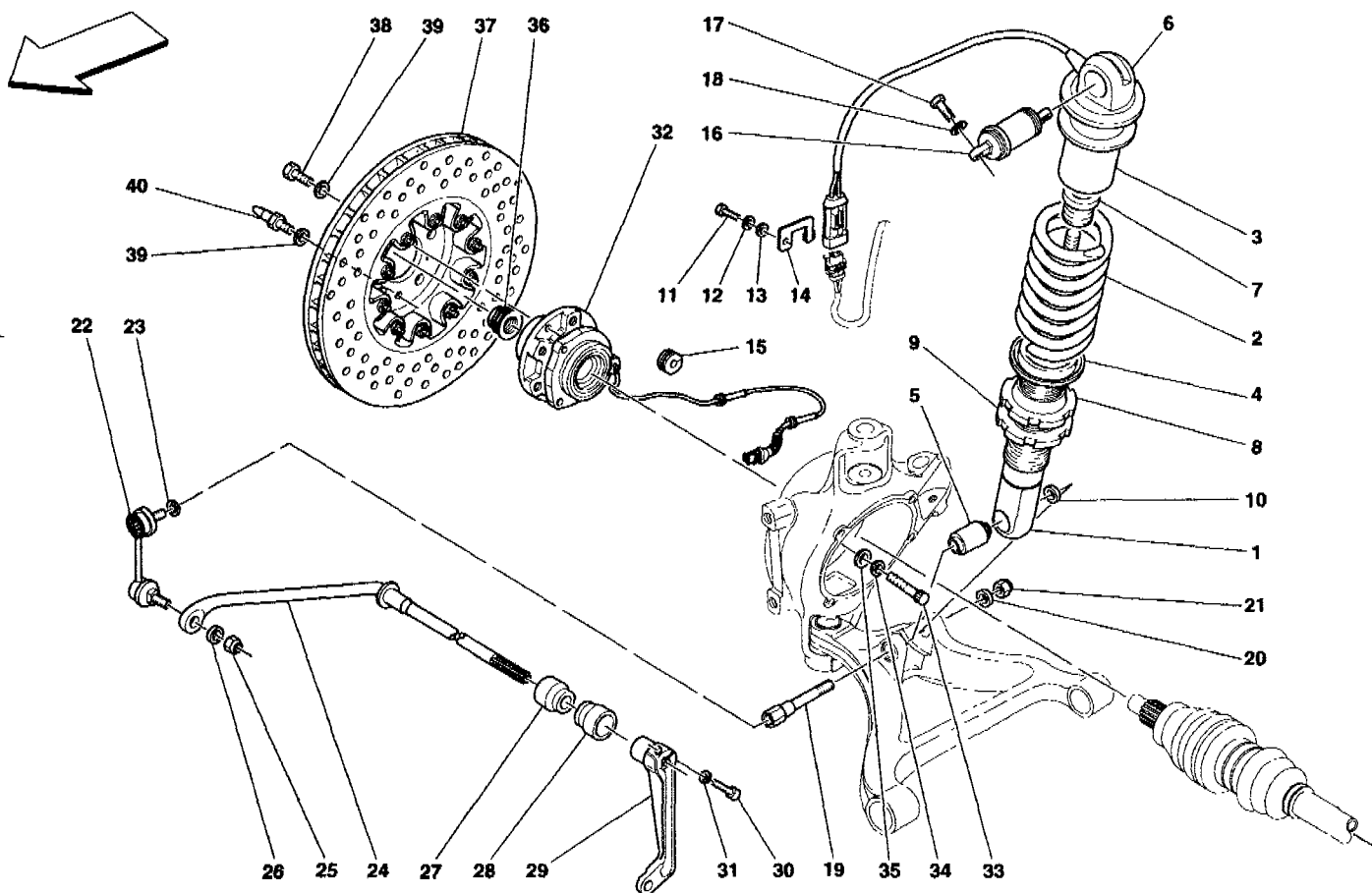
Challenge Stradale - 47 - FRONT SUSPENSION - WISHBONES



Challenge Stradale - 47 - FRONT SUSPENSION - WISHBONES

1	193456	2	UPPER LEVER -Not as spare part- -Replaced by 200945-
1	200945	2	UPPER LEVER
2	179555	2	UPPER LEVER COMPENSATOR RING
3	171848	4	BOOT
4	181598	2	SCREW
5	194801	4	FLAMBLOC -Not as spare part- -Replaced by 209167- -Replace together-
5	209167	4	FLAMBLOC -Replace together-
6	170155	8	THREADED BAR
7	104030	8	NUT
8	14496524	8	WASHER
9	12628904	8	WASHER
10	179556	2	SCREW
11	185399	1	R.H. FRONT STEERING KNUCKLE
11	185400	1	L.H. FRONT STEERING KNUCKLE
12	199633	2	LOWER LEVER -Not as spare part- -Replaced by 200940-
12	200940	2	LOWER LEVER
13	178851	4	ADJUSTING PLATE -Th. mm. 1- -Possible fitting-
13	186943	4	ADJUSTING PLATE -Th. mm. 1,5- -Possible fitting-
13	178852	4	ADJUSTING PLATE -Th. mm. 2- -Possible fitting-
13	186944	4	ADJUSTING PLATE -Th. mm. 2,5- -Possible fitting-
13	178853	4	ADJUSTING PLATE -Th. mm. 3- -Possible fitting-
13	178940	4	ADJUSTING PLATE -Th. mm. 4- -Possible fitting-
14	171847	4	BOOT
15	179554	2	LOWER LEVER COMPENSATOR RING
16	194800	4	FLAMBLOC -Not as spare part- -Replaced by 209166- -Replace together-
16	209166	4	FLAMBLOC -Replace together-
17	170154	8	THREADED BAR
18	104114	8	NUT
19	14496624	8	WASHER
20	13582210	8	THREADED INSERT
21	13582310	8	THREADED INSERT
22	203633	2	BALL JOINT -Valid for upper lever 200945 ref. 1-
23	203632	2	BALL JOINT -Valid for lower lever 200940 ref. 12-

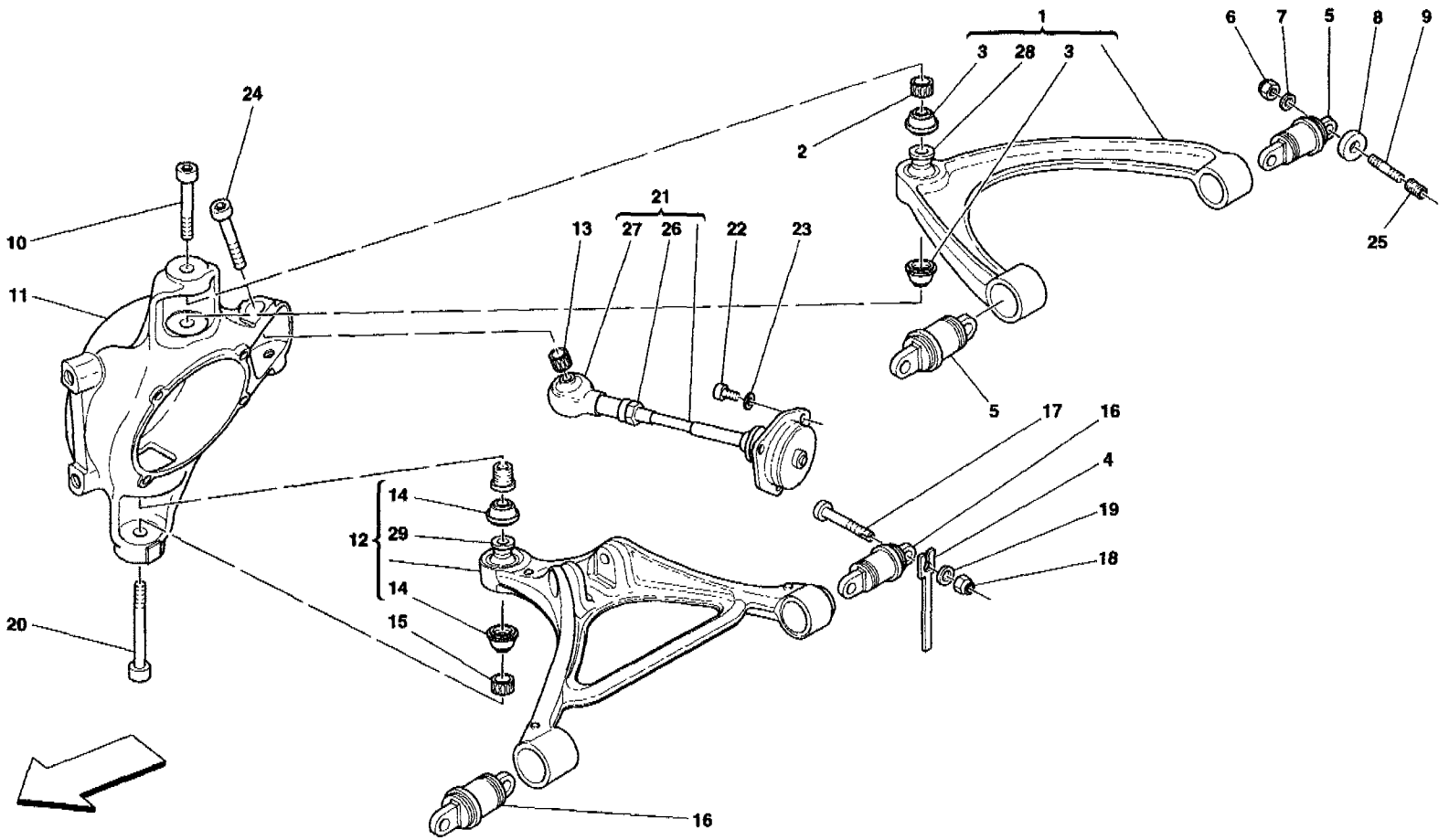
Challenge Stradale - 48 - REAR SUSPENSION - SHOCK ABSORBER AND BRAKE DISC



Challenge Stradale - 48 - REAR SUSPENSION - SHOCK ABSORBER AND BRAKE DISC

1	197020	2	REAR SHOCK ABSORBER
2	195444	2	SPRING
3	177688	2	UPPER SPACER
4	169684	2	LOWER SPACER
5	157630	2	BALL JOINT
6	174727	2	SPRING RETAINING UPPER SPACER
7	197019	2	SHOCK ABSORBER PAD
8	174725	2	SPACER
9	174726	2	RING NUT
10	129225	2	WASHER
11	10902024	2	SCREW
12	127494	2	WASHER
13	12643724	2	WASHER
14	162606	2	CLIP
15	10460287	2	RING
16	181804	2	SILENTBLOCK -Valid till Ass. Nr. 56991- -Valid till stock exhaustion- -Replace together-
16	212948	2	SILENTBLOCK -Valid from Ass. Nr. 56992 and after stock exhaustion use 181804- -Replace together-
17	11306934	4	SCREW
18	160092	4	WASHER
19	177664	2	SCREW -Valid till stock exhaustion-
19	204974	2	SCREW
20	129225	2	WASHER
21	102825	2	NUT
22	161109	1	R.H. BALL TIE ROD
22	161110	1	L.H. BALL TIE ROD
23	160092	2	WASHER
24	198416	1	REAR ANTI-ROLL BAR
25	12164714	2	NUT
26	12601474	2	WASHER
27	170716	1	BAR BUFFER
28	170717	1	BAR BUFFER
29	175861	1	L.H. ARM
30	170950	1	SCREW
31	12601474	1	WASHER
32	179070	2	HUB COMPLETE BEARING
33	180591	8	SCREW
34	160092	8	WASHER
35	10732414	8	WASHER
36	167259	2	NUT -Not as spare part- -Replaced by 209184-
36	209184	2	NUT
37	202180	2	REAR BRAKE DISC
38	16043424	2	SCREW
39	127496	4	WASHER
40	104370	2	BRAKE DISC FIXING SCREW

Challenge Stradale - 49 - REAR SUSPENSION - WISHBONES

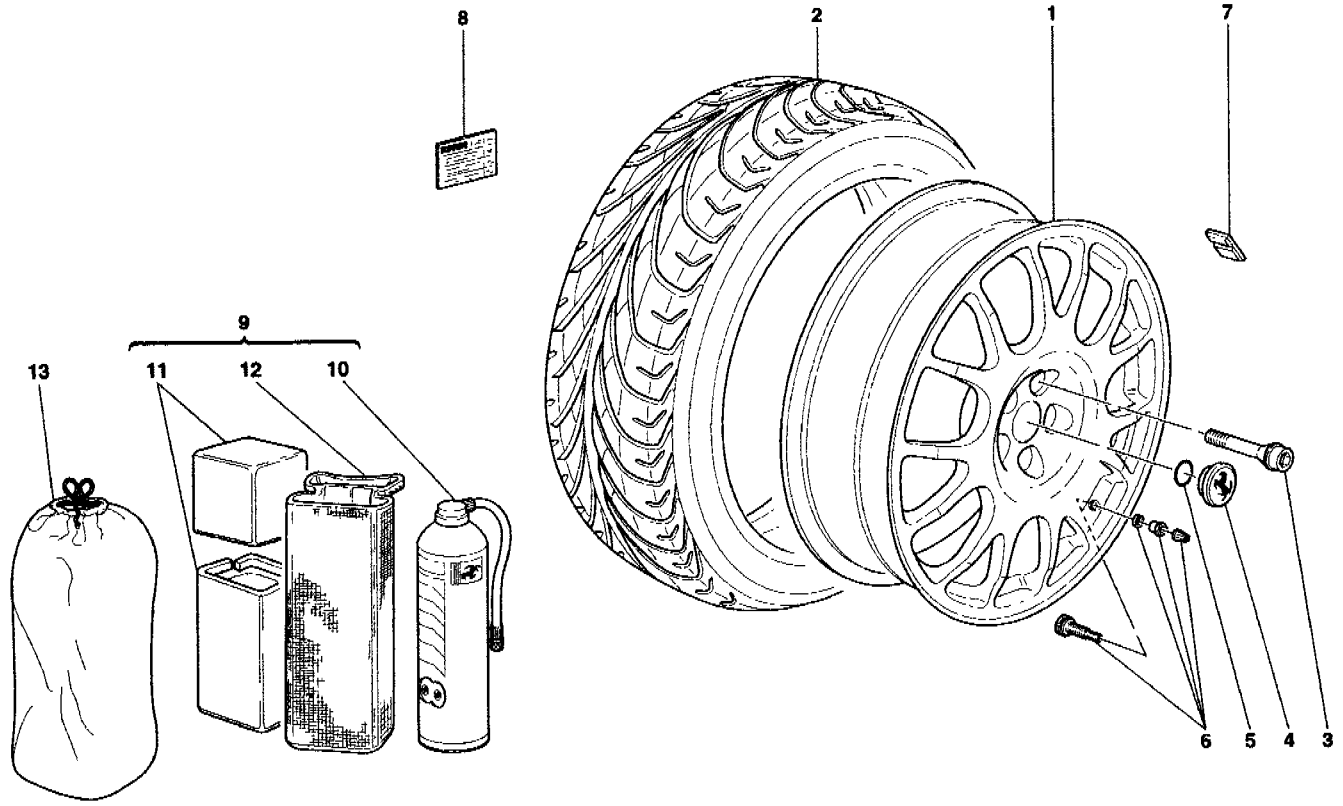


Challenge Stradale - 49 - REAR SUSPENSION - WISHBONES

1	193457	2	UPPER LEVER -Not as spare part- -Replaced by 200946-
1	200946	2	UPPER LEVER
2	179555	2	UPPER LEVER COMPENSATOR RING
3	171848	4	BOOT
4	175910	6	ADJUSTING PLATE TH. 1mm -Possible fitting-
4	175911	6	ADJUSTING PLATE TH. 2mm -Possible fitting-
4	175912	6	ADJUSTING PLATE TH. 3mm -Possible fitting-
4	178953	6	ADJUSTING PLATE TH. 4mm -Possible fitting-
4	178942	2	ADJUSTING PLATE TH. 1mm -Possible fitting-
4	178943	2	ADJUSTING PLATE TH. 2mm -Possible fitting-
4	178944	2	ADJUSTING PLATE TH. 3mm -Possible fitting-
4	178954	2	ADJUSTING PLATE TH. 4mm -Possible fitting-
5	194801	4	FLAMBLOC -Not as spare part- -Replaced by 209167- -Replace together-
5	209167	4	FLAMBLOC -Replace together-
6	104030	8	NUT
7	14496524	8	WASHER
8	12628904	8	WASHER
9	170155	8	THREADED BAR
10	179556	2	SCREW
11	179330	1	R.H. REAR STEERING KNUCKLE
11	179328	1	L.H. REAR STEERING KNUCKLE
12	199634	1	R.H. LOWER LEVER -Not as spare part- -Replaced by 200941-
12	200941	1	R.H. LOWER LEVER
12	199635	1	L.H. LOWER LEVER -Not as spare part- -Replaced by 200942-
12	200942	1	L.H. LOWER LEVER
13	179555	2	TIE ROD COMPENSATOR RING
14	171847	4	BOOT
15	179554	2	LOWER LEVER COMPENSATOR RING
16	194800	4	FLAMBLOC -Not as spare part- -Replaced by 209166- -Replace together-
16	209166	4	FLAMBLOC -Replace together-
17	182215	8	SCREW
18	104114	8	NUT
19	14496624	8	WASHER
20	178941	2	SCREW
21	194791	2	COMPLETE TIE ROD
22	14306224	6	SCREW
23	11194074	6	WASHER
24	179556	2	SCREW
25	13582210	8	THREADED INSERT
26	204248	2	NUT
27	194794	2	BALL TIE ROD
28	203633	2	BALL JOINT -Valid for upper lever 200946 ref. 1-
29	203632	2	BALL JOINT

-Valid for l.h. lower lever 200942
and r.h. lower lever 200941 ref.12-

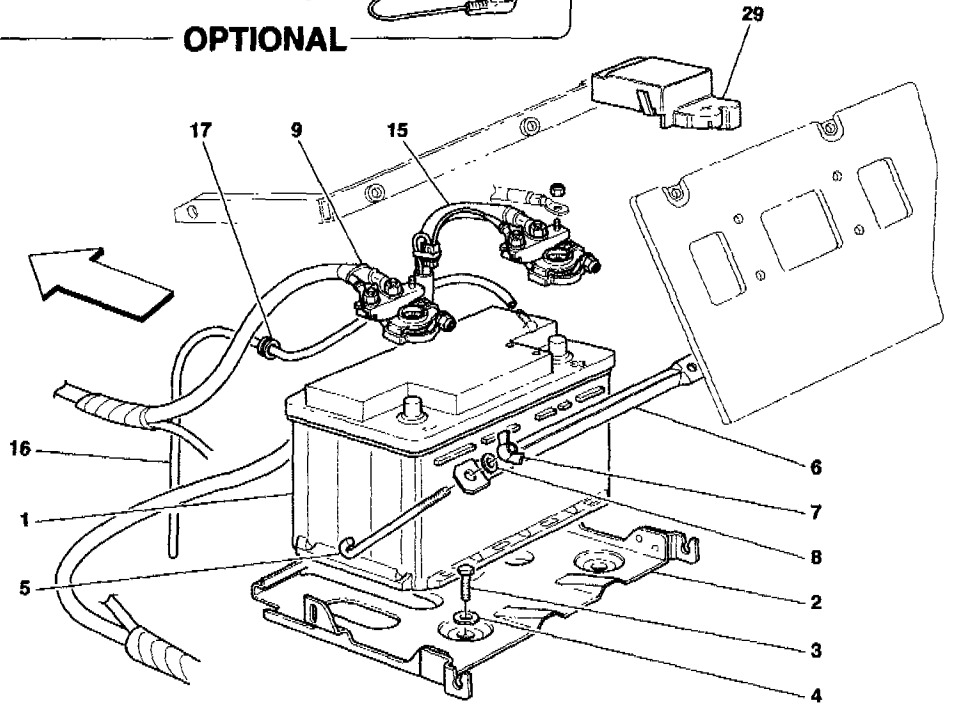
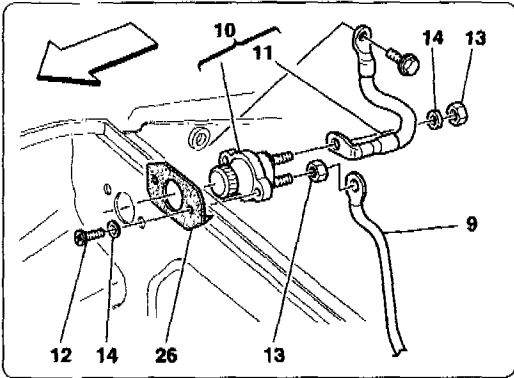
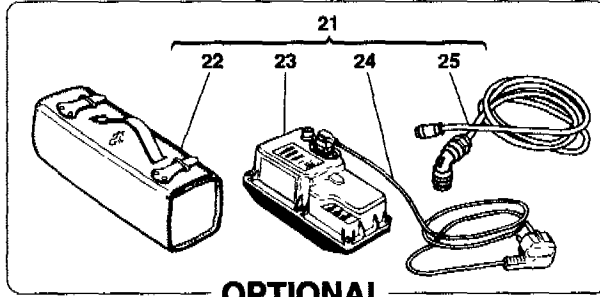
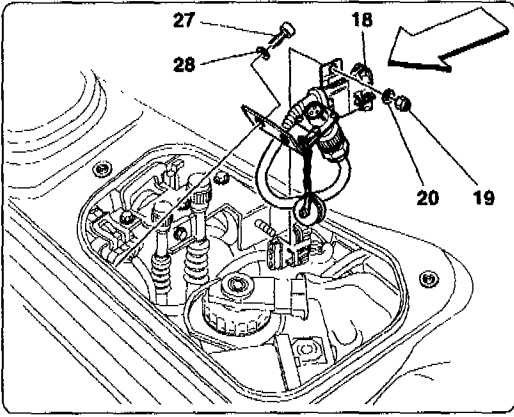
Challenge Stradale - 50 - WHEELS



Challenge Stradale - 50 - WHEELS

1	195392	2	FRONT WHEEL RIM 7.5J X 19
1	195393	2	REAR WHEEL RIM 10J X 19
2	-	1	R.H. FRONT TYRE -Not as spare part-
2	-	1	L.H. FRONT TYRE -Not as spare part-
2	-	1	R.H. REAR TYRE -Not as spare part-
2	-	1	L.H. REAR TYRE -Not as spare part-
3	196366	20	WHEEL STUD -Not as spare part- -Replaced by 206274-
3	206274	20	WHEEL STUD
4	108947	4	RIM CUP
5	120065	4	O.R. GASKET
6	174166	4	VALVE -Not as spare part- -Replaced by 185328-
6	185328	4	VALVE
7	192934	-	COUNTER-WEIGHT
8	201340	1	PIRELLI TYRE PRESSURE PLATE -Not for USA, CDN and AUS-
8	201348	1	PIRELLI TYRE PRESSURE PLATE -Valid for USA and CDN-
8	202250	1	PIRELLI TYRE PRESSURE PLATE -Valid for AUS-
9	65774000	1	COMPLETE CYLINDER FOR TYRE REPAIR
10	137724	1	CYLINDER FOR TYRE REPAIR
11	65772800	1	CASING
12	65696400	1	PORTFOLIO
13	173688	1	BAG

Challenge Stradale - 51 - BATTERY

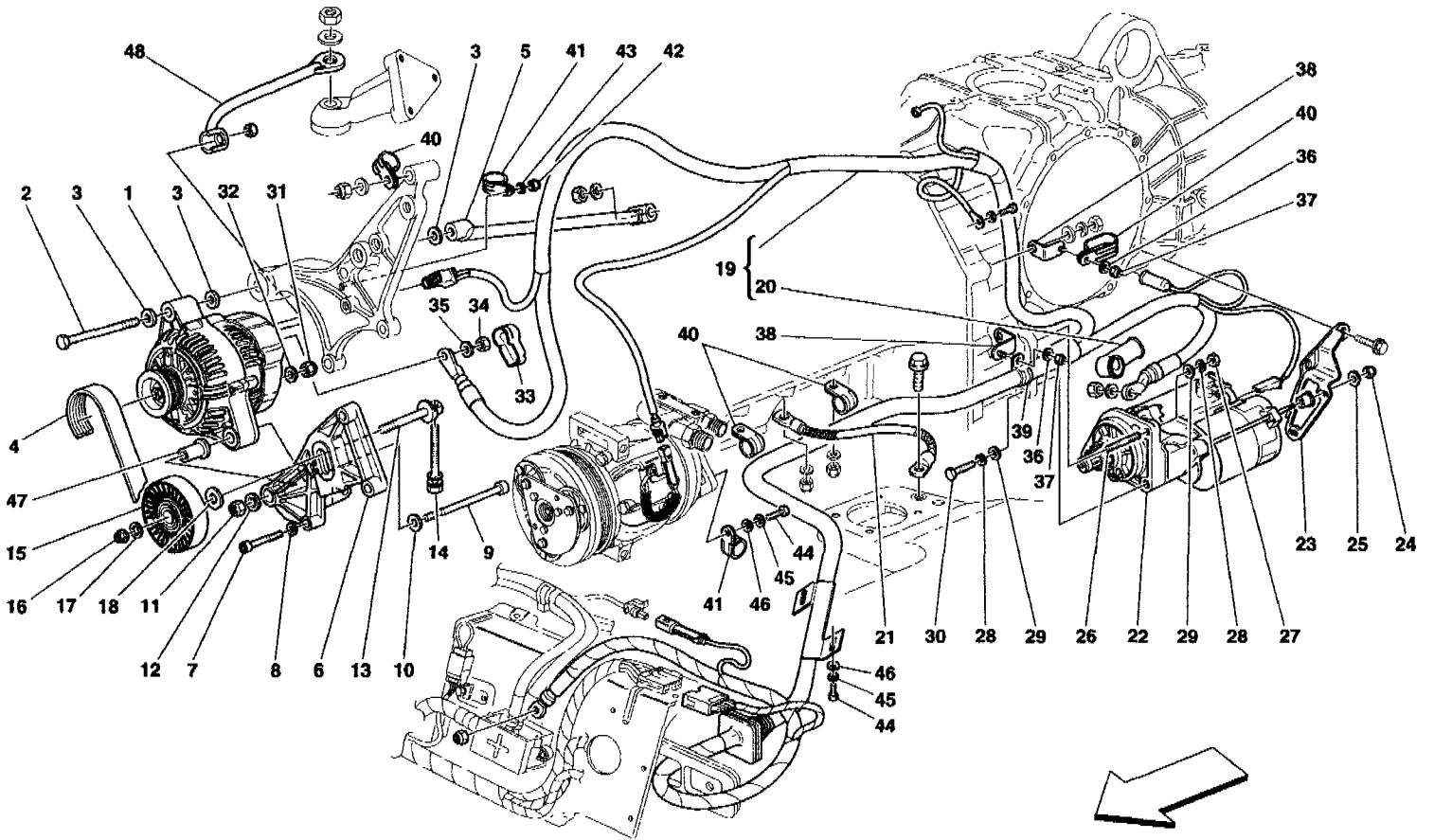


Challenge Stradale - 51 - BATTERY

1	168852	1	BATTERY 12V TYPE VR760
2	65521500	1	BATTERY BIN
3	10902124	3	SCREW
4	12647701	3	WASHER
5	65071000	2	TIE ROD
6	65071100	1	BRACKET
7	102741	2	NUT
8	14499324	2	WASHER
9	196861	1	DASHBOARD CONNECTION CABLES -Not for GD-
9	196862	1	DASHBOARD CONNECTION CABLES -Valid for GD
10	188055	1	CUT-OUT SWITCH ASSEMBLY
11	188056	1	GROUND CABLE
12	13272472	2	SCREW
13	10721911	2	NUT
14	14496277	4	WASHER
15	198554	1	CABLES FOR R.H. REAR TUNNEL CONNECTION -Not for USA, CDN and J-
15	198555	1	CABLES FOR R.H. REAR TUNNEL CONNECTION -Valid for USA, CDN and J-
16	181056	1	BATTERY VENT PIPE
17	10396280	1	CABLE BUSHING
18	200857	1	BATTERY CHARGING CONNECTION CABLE -Optional-
19	102741	1	NUT -Optional-
20	10519424	1	WASHER -Optional-
21	178682	1	BATTERY CHARGER KIT -Not for USA, CDN, J, GB, Hong Kong and AUS- -Optional-
21	178683	1	BATTERY CHARGER KIT -Valid for USA, CDN and J- -Optional-
21	178685	1	BATTERY CHARGER KIT -Valid for GB and Hong Kong- -Optional-
21	178684	1	BATTERY CHARGER KIT -Valid for AUS- -Optional-
22	65699200	1	BATTERY BAG CASE -Optional-
23	177791	1	BATTERY CHARGER -230V- -Not for USA, CDN and J- -Optional-
23	177792	1	BATTERY CHARGER -110V- -Not for USA, CDN and J- -Optional-
24	177794	1	POWER SUPPLY CABLE -Not for USA, CDN, J, GB, Hong Kong and AUS- -Optional-
24	177795	1	POWER SUPPLY CABLE -Valid for USA, CDN and J- -Optional-
24	178294	1	POWER SUPPLY CABLE -Valid for GB and Hong Kong- -Optional-
24	177796	1	POWER SUPPLY CABLE -Valid for AUS- -Optional-
25	178676	1	CABLE WITH CONNECTOR

26	66079900	1	-Optional-
27	10902224	1	GASKET
28	12644424	1	SCREW
29	185418	1	WASHER
			PROTECTION COVER

Challenge Stradale - 52 - CURRENT GENERATOR - STARTING MOTOR



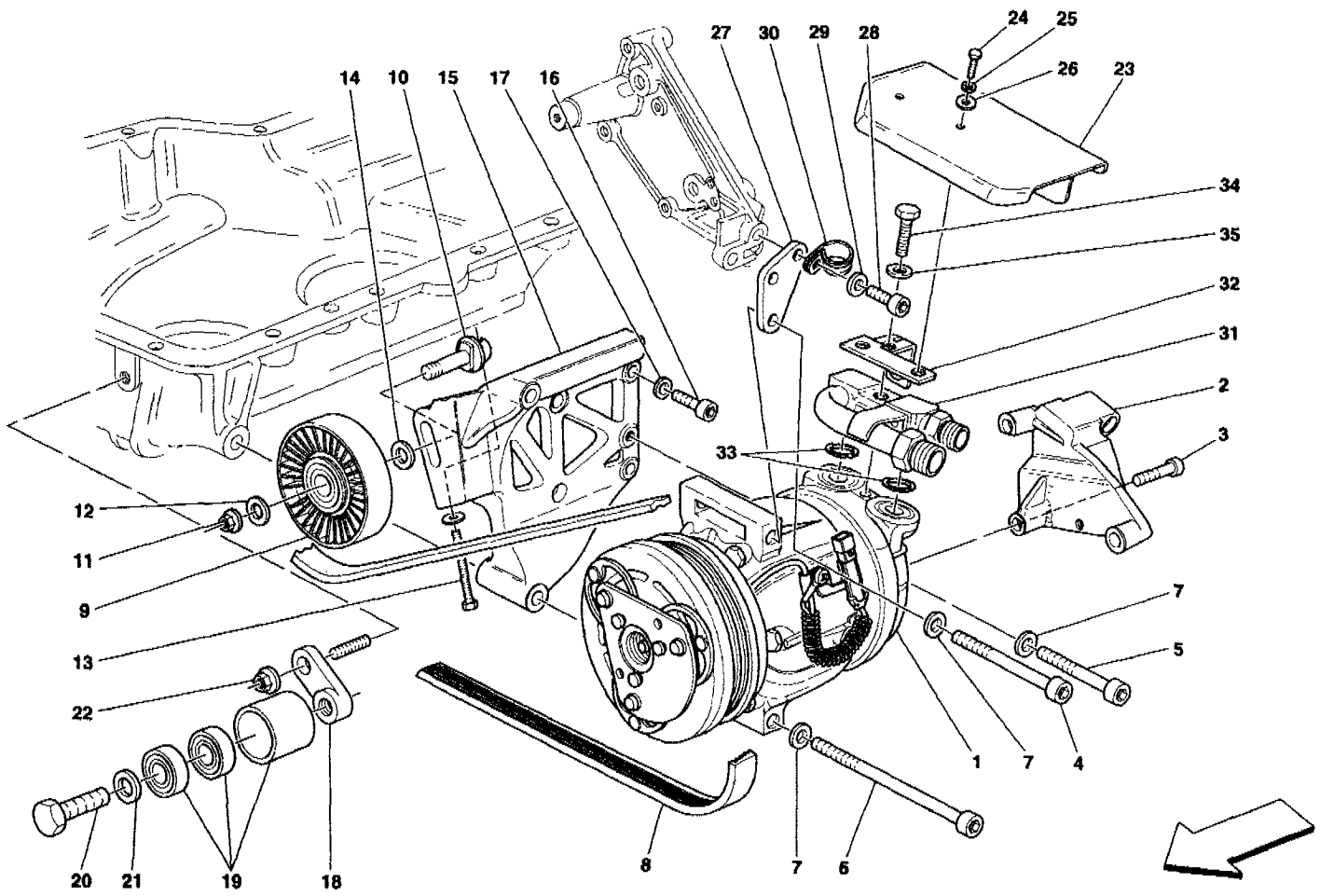
Challenge Stradale - 52 - CURRENT GENERATOR - STARTING MOTOR

1	179852	1	150 A. ALTERNATOR
2	15971321	1	SCREW
3	13550421	3	WASHER
4	201446	1	WATER PUMP AND GENERATOR CONTROL BELT
5	180493	1	REAR BRACKET
6	179704	1	LOWER SUPPORT
7	14306524	1	SCREW L=30mm
7	14306724	2	SCREW L=40mm
8	12601374	3	WASHER
9	179664	1	SCREW
10	164469	1	WASHER
11	177764	1	NUT
12	126648	1	WASHER
13	172527	1	PIN
14	157289	1	SCREW
15	172537	1	BELT TIGHTENING PULLEY
16	133216	1	NUT
17	102695	1	WASHER
18	174508	1	WASHER
19	188108	1	COMPLETE CONNECTION CABLES FOR MOTOR UTILITIES -Not as spare part- -Replaced by 213155-
19	213155	1	COMPLETE CONNECTION CABLES FOR MOTOR UTILITIES
20	176903	1	PROTECTION BOOT
21	155073	1	CABLE FOR ENGINE-FRAME EARTH
22	183392	1	STARTER MOTOR
23	179719	1	STARTER MOTOR SUPPORTING BRACKET
24	160472	2	NUT
25	61148700	2	WASHER
26	13517024	2	STUD
27	133989	2	NUT
28	127496	3	WASHER
29	10519624	3	WASHER
30	176212	1	SCREW
31	64449900	1	CAP NUT
32	127493	1	WASHER
33	154803	1	PROTECTION BOOT
34	16100814	1	NUT
35	12601374	1	WASHER
36	12601274	2	WASHER
37	102741	2	NUT
38	149694	2	FIXING BRACKET
39	10442090	1	BRACKET WITH SHEATH
40	10450690	5	BRACKET WITH SHEATH
41	10441790	2	BRACKET WITH SHEATH
42	102741	1	NUT
43	10519424	1	WASHER
44	10902324	2	SCREW
45	127494	2	WASHER
46	12644424	2	WASHER
47	164467	1	BUSHING
48	196131	1	REAR BRACKET

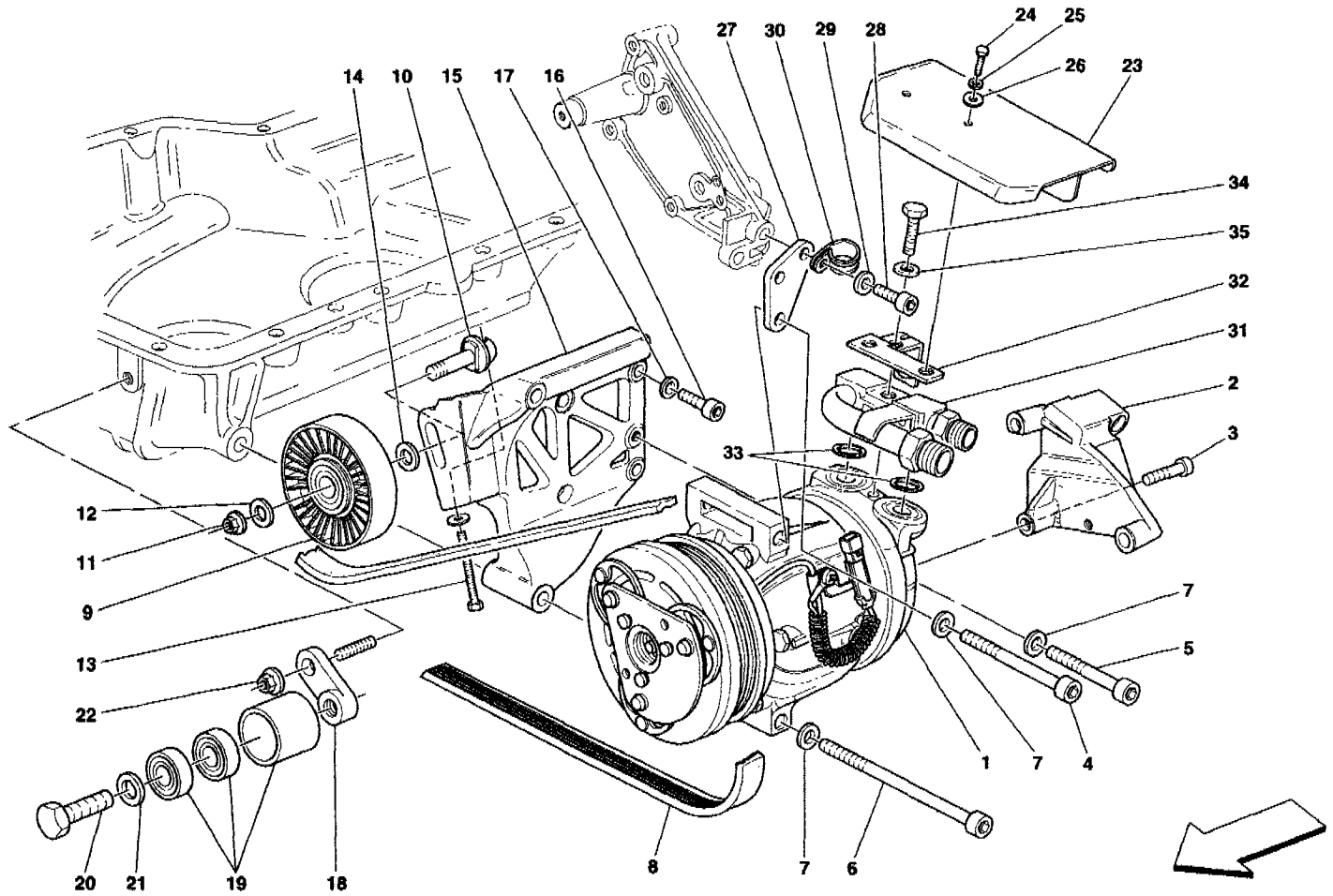
Challenge Stradale - 53 - AIR CONDITIONING COMPRESSOR

100011 4 AIR CONDITIONING

Challenge Stradale - 53 - AIR CONDITIONING COMPRESSOR

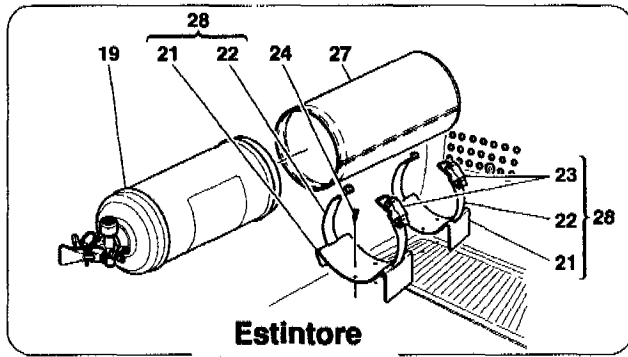
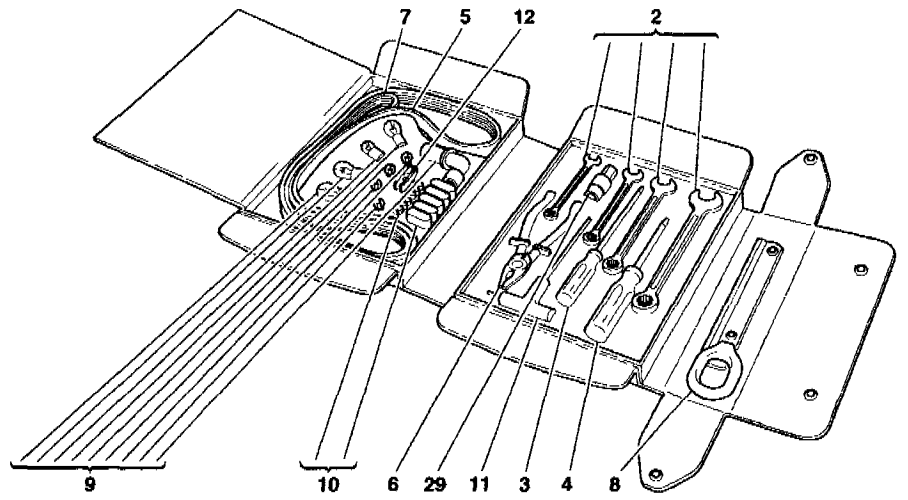
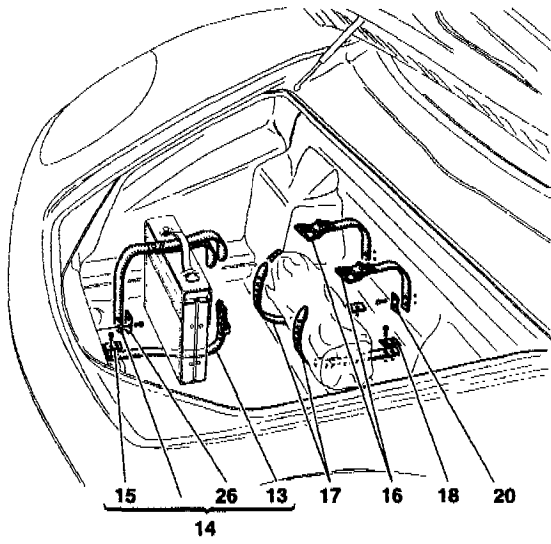


Challenge Stradale - 53 - AIR CONDITIONING COMPRESSOR

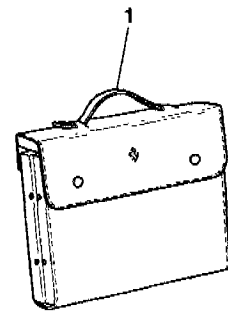
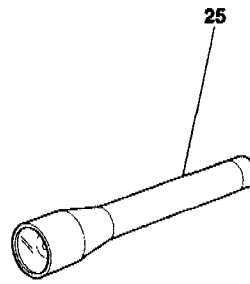


Challenge Stradale - 53 - AIR CONDITIONING COMPRESSOR

1	180041	1	AIR CONDITIONING COMPRESSOR
2	194216	1	COMPRESSOR REAR BRACKET
3	16044024	2	SCREW
3	16044224	1	SCREW
4	180604	1	SCREW
5	14307124	1	SCREW
6	14301724	1	SCREW
7	11198074	3	WASHER
8	201236	1	COMPRESSOR CONTROL BELT
9	172537	1	BELT TIGHTENING PULLEY
10	172527	1	THREADED PIN
11	133216	1	NUT
12	102695	1	WASHER
13	178713	1	SCREW
14	174508	1	WASHER
15	179584	1	COMPRESSOR SUPPORT BRACKET
16	14306624	3	SCREW
16	14306424	1	SCREW
17	11198074	3	WASHER
17	183671	1	WASHER
18	180296	1	SMALL PLATE
19	179698	1	BELT TIGHTENING BEARING
20	15970921	1	SCREW
21	11190574	1	WASHER
22	177778	1	NUT
23	178749	1	SHIELD FOR COMPRESSOR PROTECTION
24	10902124	3	SCREW
25	127494	3	WASHER
26	12643724	3	WASHER
27	180291	1	SMALL PLATE
28	14306374	2	SCREW
29	11198074	2	WASHER
30	10449790	1	BRACKET WITH SHEATH
31	191955	1	FREON DISTRIBUTOR
32	192348	1	HEAT PROTECTION BRACKET
33	192351	2	O.R. GASKET
34	192349	1	SCREW
35	192350	1	WASHER



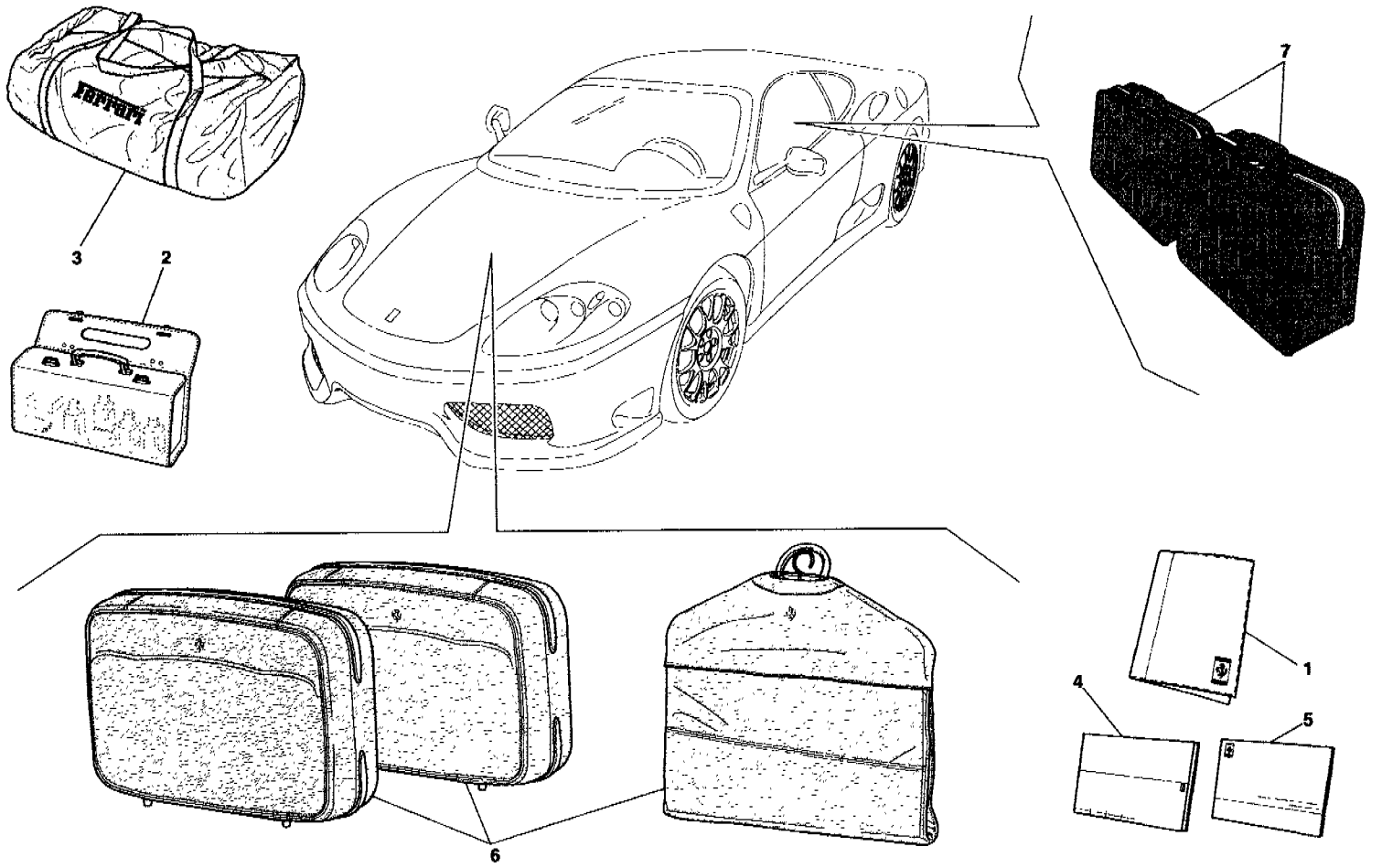
Estintore
Estinguisher



Challenge Stradale - 54 - TOOLS EQUIPMENT AND ACCESSORIES

*	202857	1	COMPLETE TOOL KIT BAG
1	185385	1	EMPTY TOOL KIT BAG
2	---	1	WRENCH SET 8/17 -With complete bag-
3	---	1	MM. 125 SCREWDRIVER FOR SLOT SCREWS -With complete bag-
4	---	1	MM. 100 SCREWDRIVER FOR CROSS SLOT SCREWS -With complete bag-
5	201236	1	BELT FOR ALTERNATOR AND COMPRESSOR
6	---	1	MM. 160 CUTTING PLIERS -With complete bag-
7	201446	1	WATER PUMP AND GENERATOR CONTROL BELT
8	155838	1	TOW HOOK
9	182710	1	12V-60W BULB
9	10857790	1	12V-5W BULB
9	14142390	1	12V-4W BULB
9	14144190	1	12V-5W BULB
9	14148190	1	12V-21W BULB
9	14144690	1	12V-21/5W BULB
9	101525	1	12V-3W BULB
9	152567	1	12V-21W ORANGE BULB
9	14145890	1	194 12V BULB
10	169438	1	MAXI FUSE 20 A.
10	170093	1	MAXI FUSE 30 A.
10	166835	1	MAXI FUSE 40 A.
10	170061	1	MAXI FUSE 50 A.
10	172871	1	MAXI FUSE 60 A.
10	172875	1	MINI FUSE 5 A.
10	172876	1	MINI FUSE 7,5 A.
10	172877	1	MINI FUSE 10 A.
10	172878	1	MINI FUSE 15 A.
10	172879	1	MINI FUSE 20 A.
10	172880	1	MINI FUSE 25 A.
10	172881	1	MINI FUSE 30 A.
11	14534079	1	HEXAGONAL MALE KEY
12	178659	1	PLIERS
13	65699000	1	BELT WITH BUCKLE FOR TOOL BAG
14	65698700	1	COMPLETE BELT FIXING TOOL BAG
15	65696100	1	SMALL PLATE
16	65695900	2	BELT WITH BUCKLE FOR CYLINDER FOR TYRE REPAIR
17	65696000	2	BELT FOR CYLINDER FOR TYRE REPAIR
18	65696100	2	SMALL PLATE
19	65644700	1	EXTINGUISHER
20	65696300	2	SMALL PLATE
21	674928..	2	COVERED BRACKET -Not as spare part- -Replaced by 680101.. ref. 28-
22	66142000	2	EXTINGUISHER FASTENER -Not as spare part- -Replaced by 680101.. ref. 28-
23	65930000	2	SEAL -Not as spare part- -Replaced by 680101.. ref. 28-
24	13297477	4	SCREW
25	180720	1	EMERGENCY LIGHT
26	65750700	1	SMALL PLATE
27	679569..	1	EXTINGUISHER BAG
28	680101..	2	COMPLETE COVERED BRACKET
29	202856	1	BUSHING

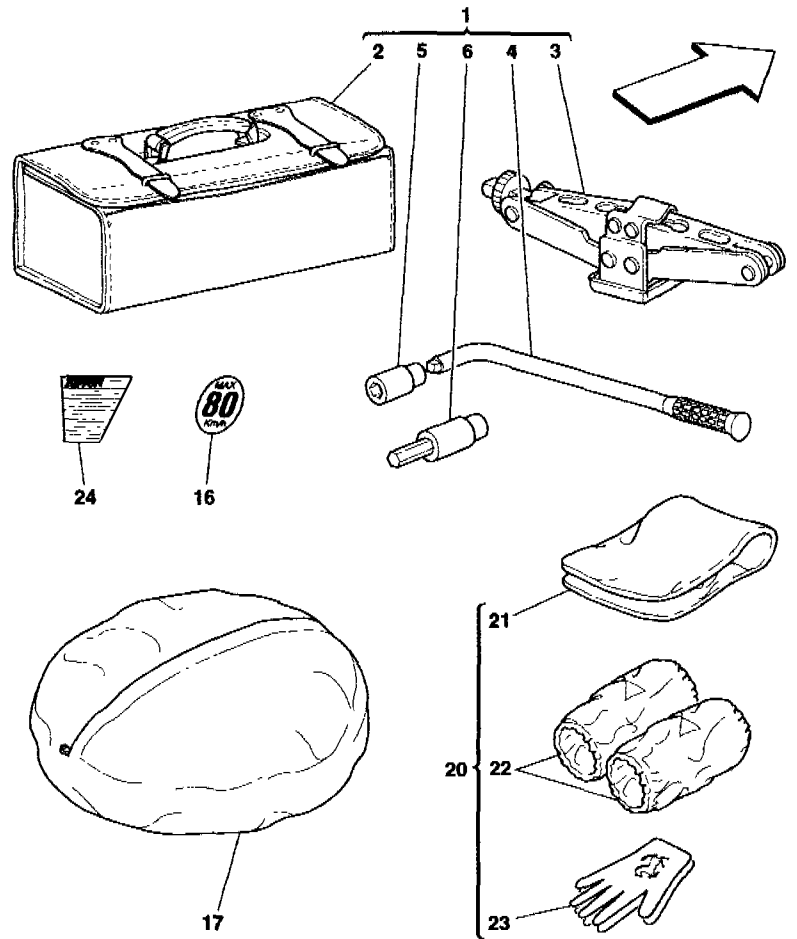
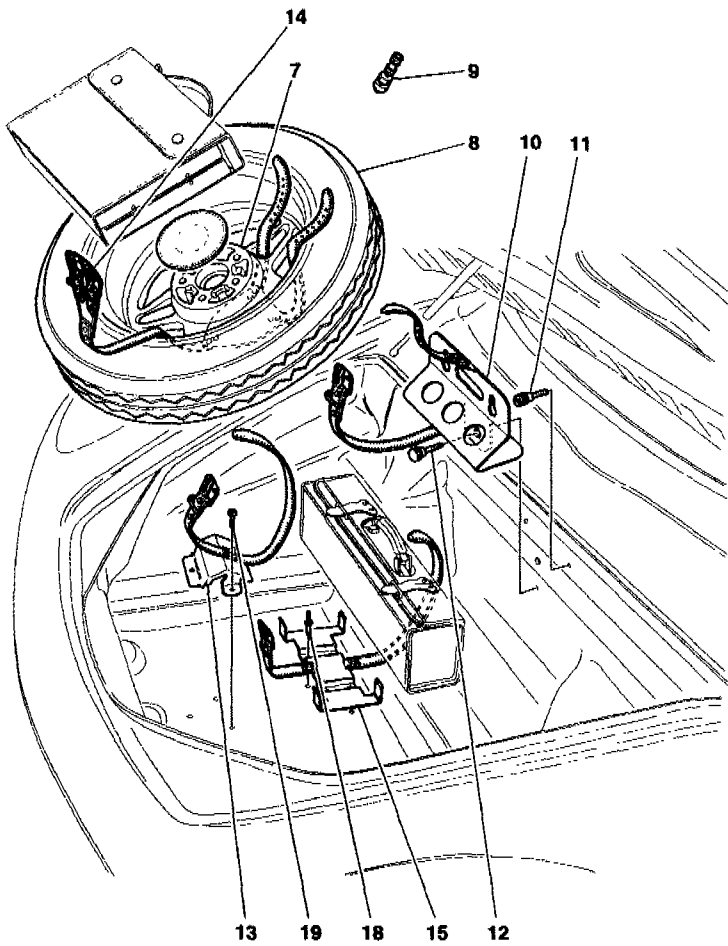
For particular colour matchings, make order by Fax or E-m@il, specifying serial number. - See "INNER TRIMS CAR CODES" table for



Challenge Stradale - 55 - DOCUMENTATION AND ACCESSORIES

1	195298	1	DOCUMENT ENVELOPE
2	70000911	1	KIT PRODUCTS FOR THE CURE OF THE CAR
3	66504000	1	CAR PROTECTION KIT -For GT seat- -Composed by bag, steering wheel cover, car cover and seat cover-
3	66504400	1	CAR PROTECTION KIT -For sport seat- -Composed by bag, steering wheel cover, car cover and seat cover-
4	67918300	1	INSTRUCTION BOOK -Italian, english, french, spanish-
4	67918400	1	INSTRUCTION BOOK -Italian, english, french, german-
4	67918500	1	INSTRUCTION BOOK -Portuguese-
4	69151600	1	INSTRUCTION BOOK -China-
4	68066400	1	INSTRUCTION BOOK -Usa, Canada-
5	67755000	1	ORGANIZATION AND SALE BOOK
5	67754500	1	DIRECT LINE BOOK
6	66073300	1	TRUNK HOOD SUITCASE SET -Leather-
6	66073700	1	TRUNK HOOD SUITCASE SET -Skin-
7	66074100	1	REAR BENCH SUITCASE SET -Leather-
7	66074400	1	REAR BENCH SUITCASE SET -Skin-

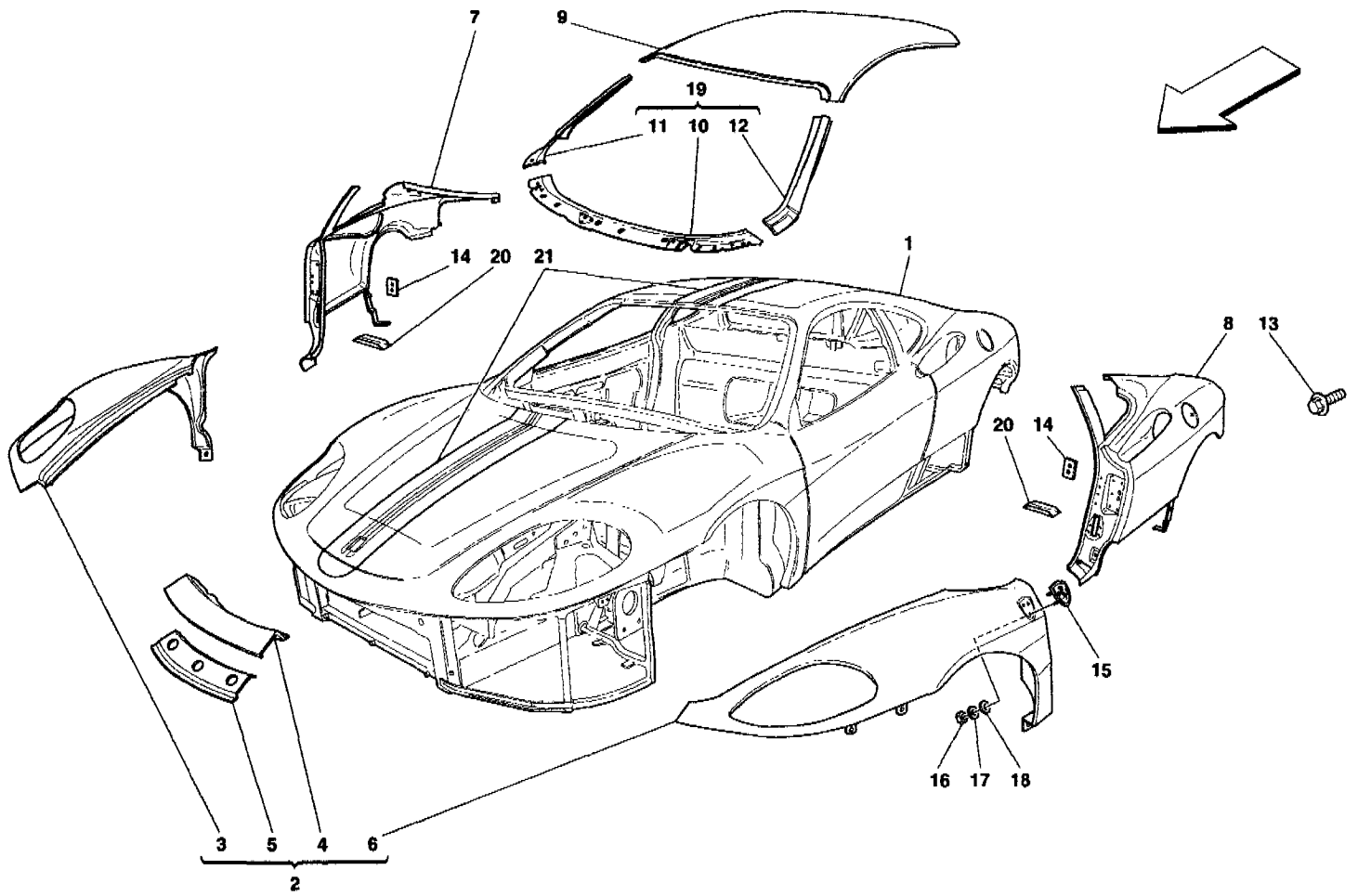
Challenge Stradale - 56 - SPARE WHEEL AND EQUIPMENT -OPTIONAL-



Challenge Stradale - 56 - SPARE WHEEL AND EQUIPMENT -OPTIONAL-

*	182070	-	SPARE WHEEL KIT -Not for USA and CDN-
*	182071	-	SPARE WHEEL KIT -Valid for USA and CDN-
1	171488	1	COMPLETE EMERGENCY TOOL KIT BAG
2	159545	1	EMPTY TOOL KIT BAG
3	171489	1	JACK FOR CAR LIFTING
4	171490	1	WHEEL WRENCH
5	171491	1	SOCKET WRENCH 17/19
6	171492	1	SOCKET WRENCH 22-1/2"
7	202228	1	SPARE WHEEL RIM 19"
8	-	1	TYRE PIRELLI T115'70 R19 -Not as spare part-
9	174258	1	VALVE
10	67897200	1	COMPLETE MOBILE BRACKET
11	65744000	2	SCREW
12	65744100	1	THREADED PIN
13	65748700	1	COMPLETE FIXED BRACKET
14	65751000	1	BELT FOR TOOL BAG
15	65748800	1	COMPLETE BRACKET FOR TOOL KIT BAG FIXING
16	153815	1	ADHESIVE PLATE -Not for USA and CDN-
17	65252900	1	SPARE WHEEL COVER
18	60643400	4	RIVET
19	62940900	3	SCREW
20	65253000	1	COMPLETE BAG FOR ACCESSORIES
21	65253100	1	BAG FOR ACCESSORIES
22	65253200	1	SLEEVE
23	65253300	1	GLOVES
24	139886	1	ADHESIVE PLATE -Valid for USA and CDN-

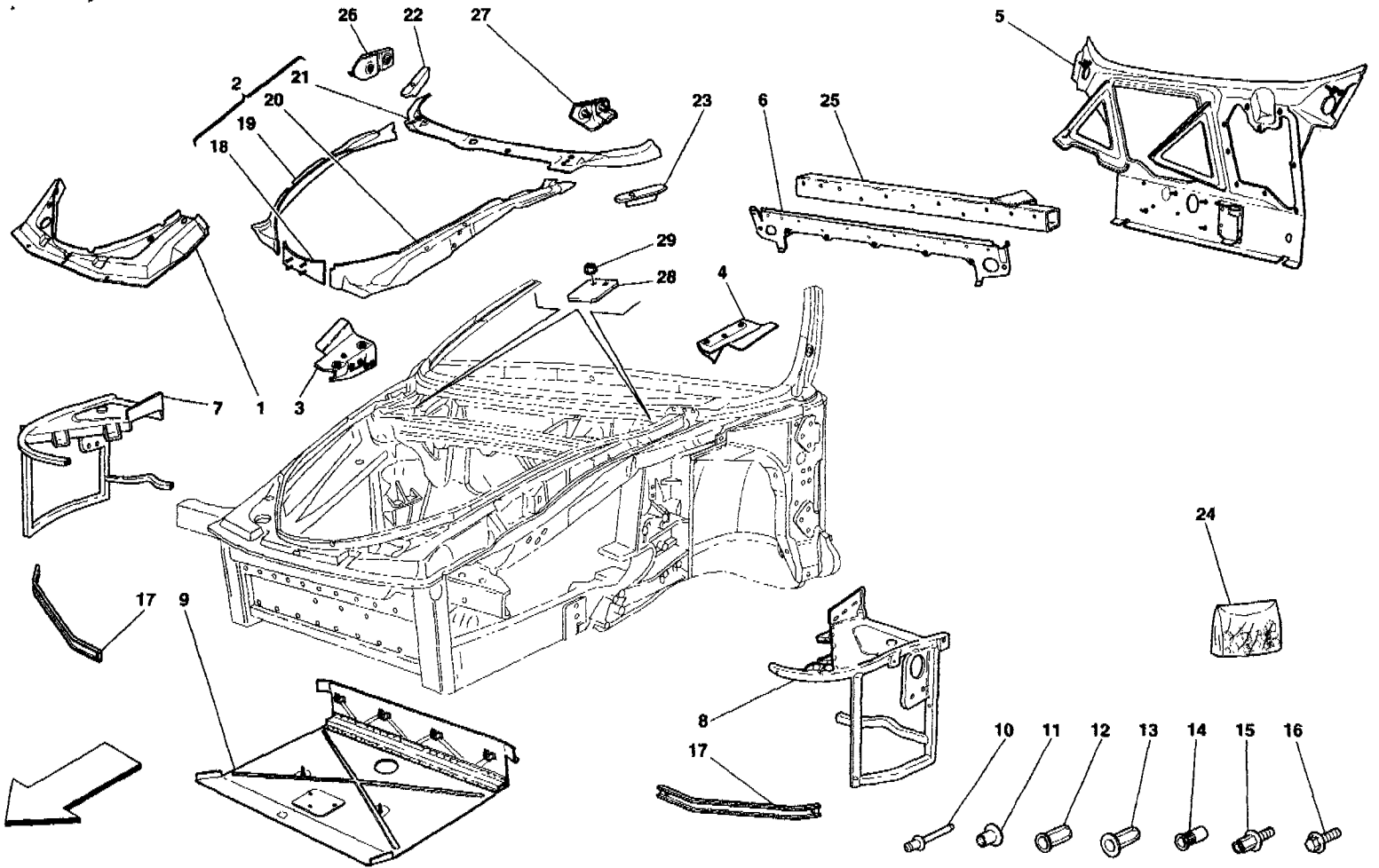
Challenge Stradale - 100 - BODY - OUTER TRIMS



Challenge Stradale - 100 - BODY - OUTER TRIMS

1	---	1	COMPLETE BODYWORK -Only as specific request by fax or e-m@il, specifying car serial number-
2	67495011	1	COMPLETE FRONT FENDER ASSEMBLY
3	67495111	1	COMPLETE R.H. FRONT FENDER
4	65314100	1	FRONT CENTRAL LINING
5	66233911	1	FRONT CENTRAL MOULDING
6	67495211	1	COMPLETE L.H. FRONT FENDER
7	66091100	1	COMPLETE R.H. REAR FENDER
7	66098800	1	-Not for GD- COMPLETE R.H. REAR FENDER
8	66091200	1	-Valid for GD- COMPLETE L.H. REAR FENDER
8	66098900	1	-Not for GD- COMPLETE L.H. REAR FENDER
9	63246700	1	-Valid for GD- ROOF UPHOLSTERY
10	65703100	1	TAIL WINDSHIELD TRIM
11	65315000	1	R.H. WINDSHIELD PILLAR SHIELD
12	65315100	1	L.H. WINDSHIELD PILLAR SHIELD
13	13836971	-	SCREW
14	65934600	2	PLATE
15	65921900	2	SQUADRA CORSE SMALL SHIELD
16	16101711	6	NUT
17	14498521	6	WASHER
18	12624178	6	WASHER
19	63268400	1	COMPLETE TAIL WINDSHIELD TRIM
20	65155300	2	FIXED REAR BRACKET FOR REAR FENDER
21	67749200	1	TRICOLOUR STRIPE

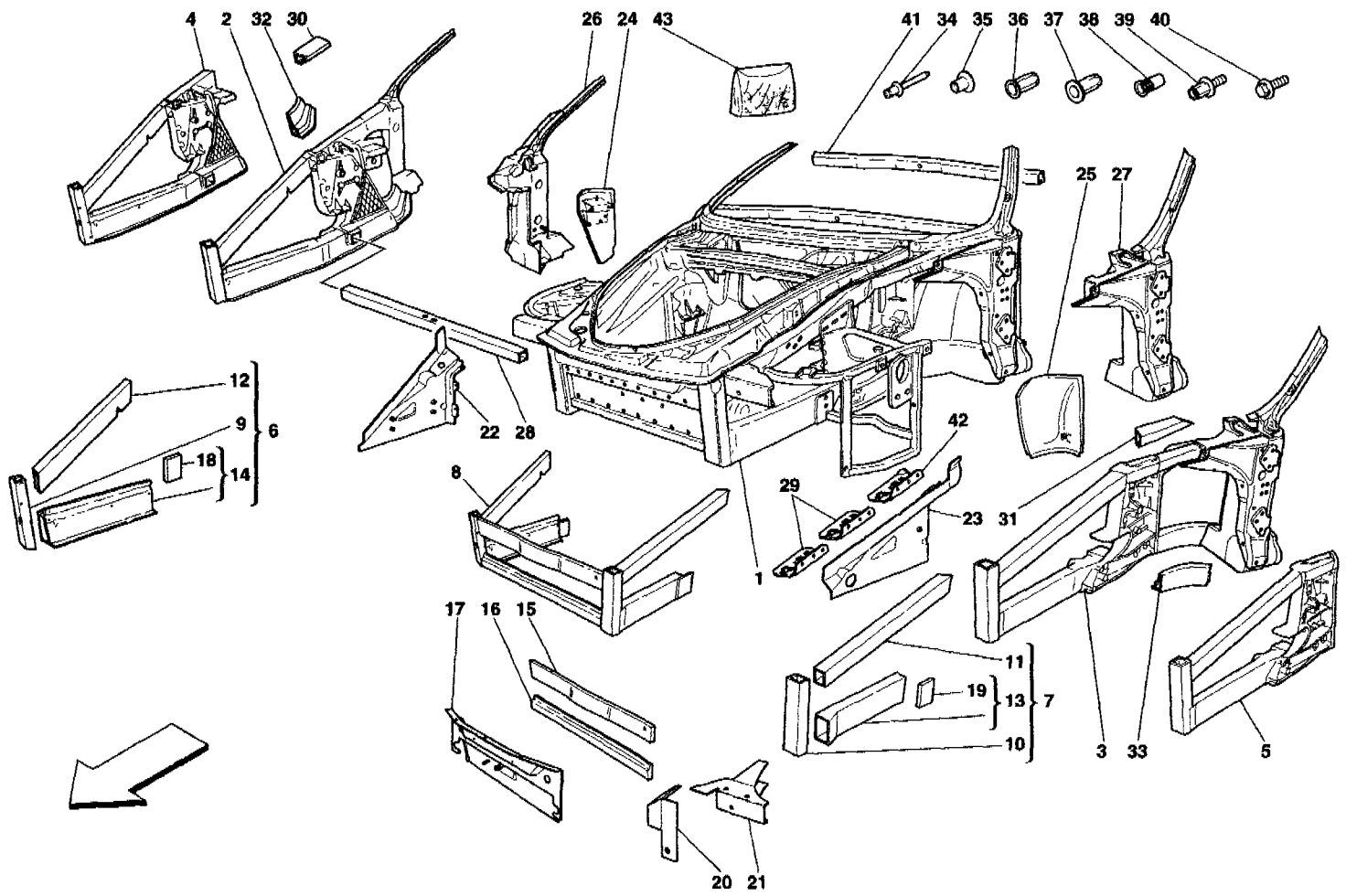
Challenge Stradale - 101 - FRAME - COMPLETE FRONT PART STRUCTURES AND PLATES



Challenge Stradale - 101 - FRAME - COMPLETE FRONT PART STRUCTURES AND PLATES

1*	65393600	1	COMPLETE FRONT CROSS MEMBER
2	65393100	1	COMPLETE FRONT MOULDING -Not for USA and CDN-
2	67504600	1	COMPLETE FRONT MOULDING -Valid for USA and CDN-
3	65393800	1	R.H. PLATE FOR FRONT HOOD BONNET HINGE
4	65393900	1	L.H. PLATE FOR FRONT HOOD BONNET HINGE
5	175739	1	COMPLETE FRONT SHIELD -Not for GD-
5	177721	1	COMPLETE FRONT SHIELD -Valid for GD-
6	67958700	1	TRUNK COMPARTMENT UPPER REAR PANEL -Not as spare part- -Replaced by 65152300-
6	65152300	1	TRUNK COMPARTMENT UPPER REAR PANEL
7	66202300	1	COMPLETE R.H. FRONT SIDE FRAME
8	66202400	1	COMPLETE L.H. FRONT SIDE FRAME
9	65152500	1	COMPLETE COMPARTMENT BOTTOM PLATE
10	66292200	-	STANDARD HEAD POP RIVET
10	66292300	-	HALF REPOTTED HEAD POP RIVET
10	14642891	-	POP RIVET L. 14 mm
11	65133800	-	RIVET L. 6,4 mm
12	15624211	-	ESAGONAL RIVET M4
12	15180411	-	BLIND ESAGONAL RIVET
12	15624511	-	ESAGONAL RIVET M8
12	15624411	-	ESAGONAL RIVET M6
12	15624311	-	ESAGONAL RIVET M5
13	65151200	-	RIVET M6
14	166101	-	RIVET M4
14	65135000	-	RIVET M8
14	65930400	-	RIVET M6
14	65319800	-	RIVET M8 BLIND
14	179299	-	RIVET M10 BLIND
15	65065400	-	STUD ESAGONAL HEAD M6
16	13836971	-	SCREW
17	64874400	2	R.H. AND L.H. LOWER CARPET SHIELD
18	66219800	1	TRUNK COMPARTMENT UPPER MOULDING INSERT
19	65751100	1	R.H. FENDER SUPPORT WALL
20	65751200	1	L.H. FENDER SUPPORT WALL
21	66120311	1	UINDER WINDSCREED FRAME
22	65317400	1	R.H. BRACKET
23	65317500	1	L.H. BRACKET
24	70000950	1	INSERTS KIT FOR REPAIR
25	66846700	1	COMPLETE FRONT SUSPENSION UPPER CONNECTION CROSS MEMBER -Not for GD-
25	66845200	1	COMPLETE FRONT SUSPENSION UPPER CONNECTION CROSS MEMBER -Valid for GD-
26	65709800	1	R.H. BRACKET FOR FIXED HINGE
27	65709900	1	L.H. BRACKET FOR FIXED HINGE
28	65548800	2	SEAL
29	65897200	4	NUT

Challenge Stradale - 102 - FRAME - FRONT ELEMENTS STRUCTURES AND PLATES

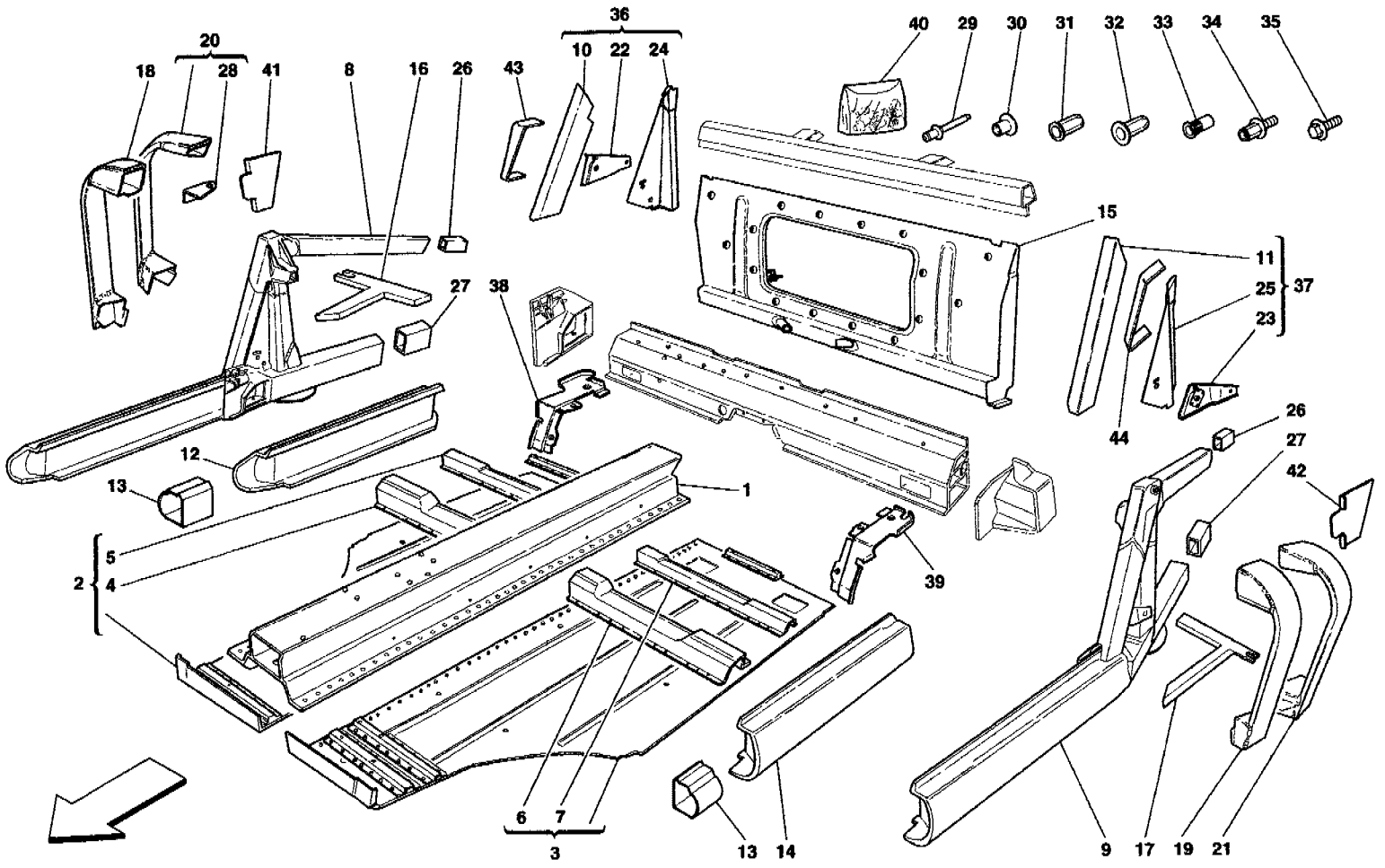


Challenge Stradale - 102 - FRAME - FRONT ELEMENTS STRUCTURES AND PLATES

1	67606700	1	COMPLETE FRONT FRAME -Not for USA,CDN and GD-
1	68151700	1	COMPLETE FRONT FRAME -Valid for GD-
1	68151900	1	COMPLETE FRONT FRAME -Valid for USA and CDN-
2	67386700	1	COMPLETE R.H. FRONT SIDE FRAME -Not for GD-
2	67410300	1	COMPLETE R.H. FRONT SIDE FRAME -Valid for GD-
3	67410600	1	COMPLETE L.H. FRONT SIDE FRAME -Not for GD-
3	67410700	1	COMPLETE L.H. FRONT SIDE FRAME -Valid for GD-
4	66452600	1	R.H. FRONT LATERAL SPRAG
5	66452800	1	L.H. FRONT LATERAL SPRAG -Not for GD-
5	67040200	1	L.H. FRONT LATERAL SPRAG -Valid for GD-
6	65940300	1	COMPLETE R.H. FRONT LATERAL FRAME
7	65940400	1	COMPLETE L.H. FRONT LATERAL FRAME
8	65940200	1	COMPLETE FRONT FRAME
9	166202	1	R.H. FRONT BUMPER PILLAR
10	166102	1	L.H. FRONT BUMPER PILLAR
11	166105	1	L.H. FRONT UPPER FRAME
12	166205	1	R.H. FRONT UPPER FRAME
13	177481	1	L.H. FRONT CRUSH-BOX
14	177482	1	R.H. FRONT CRUSH-BOX
15	166301	1	FRONT UPPER CROSS MEMBER
16	183816	1	FRONT LOWER CROSS MEMBER
17	65393500	1	TRUNK COMPARTMENT FRONT WALL
18	166291	1	R.H. FRONT REINFORCEMENT
19	166191	1	L.H. FRONT REINFORCEMENT
20	66395411	1	L.H. BRACKET
20	66395511	1	R.H. BRACKET
21	166170	1	L.H. BRACKET FOR FRONT BUMPER FIXING
21	166270	1	R.H. BRACKET FOR FRONT BUMPER FIXING
22	65152700	1	R.H. FRONT SIDE WALL
23	67958800	1	L.H. FRONT SIDE WALL
24	175738	1	R.H. PLATE -Not for GD-
24	179433	1	R.H. PLATE -Valid for GD-
25	175737	1	L.H. PLATE -Not for GD-
25	179432	1	L.H. PLATE -Valid for GD-
26	67385900	1	COMPLETE R.H. DOOR PILLAR
27	67385800	1	COMPLETE L.H. DOOR PILLAR
28	203125	1	CROSS MEMBER
29	65013100	2	BRACKET FOR CONTROL UNITS FIXING
30	166207	1	R.H. UPPER FRAME
31	166107	1	L.H. UPPER FRAME

32	166215	1	R.H. LOWER FRAME
33	166115	1	L.H. LOWER FRAME
34	66292200	-	STANDARD HEAD RIVET
34	66292300	-	HALF REPOTTED HEAD RIVET
35	65133800	-	RIVET L. 6,4 mm
36	15624211	-	ESAGONAL RIVET M4
36	15180411	-	BLIND ESAGONAL RIVET
36	15624511	-	ESAGONAL RIVET M8
36	15624411	-	ESAGONAL RIVET M6
36	15624311	-	ESAGONAL RIVET M5
37	65151200	-	RIVET M6
38	166101	-	RIVET M4
38	65135000	-	RIVET M8
38	65930400	-	RIVET M6
38	65319800	-	RIVET M8 BLIND
38	179299	-	RIVET M10 BLIND
39	65065400	-	STUD ESAGONAL HEAD M6
40	13836971	-	SCREW
41	166310	1	UNDER WINDSCREEN CROSS MEMBER -Not for USA, CDN and GD-
41	181310	1	UNDER WINDSCREEN CROSS MEMBER -Valid for GD-
41	206673	1	UNDER WINDSCREEN CROSS MEMBER -Valid for USA and CDN-
42	67794200	1	BRACKET FOR CONTROL UNITS FIXING
43	70000950	1	INSERTS KIT FOR REPAIR

Challenge Stradale - 103 - CENTRAL SIDE ELEMENTS AND PLATES

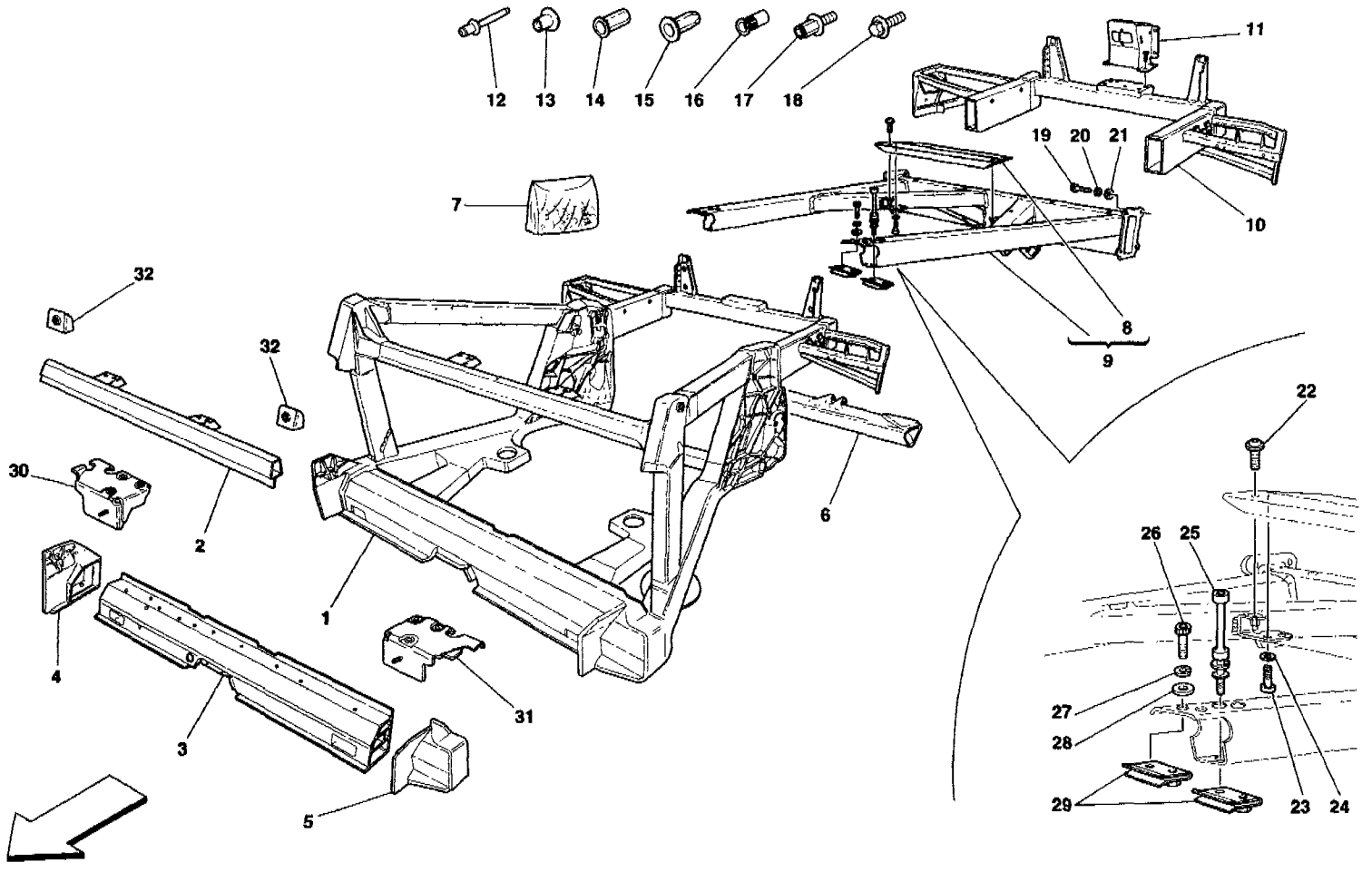


Challenge Stradale - 103 - CENTRAL SIDE ELEMENTS AND PLATES

1	67958400	1	COMPLETE TUNNEL -Not for GD-
1	68160200	1	COMPLETE TUNNEL -Valid for GD-
2	67958500	1	COMPLETE R.H. LATERAL HALF FLOOR -Not for GD-
2	68152000	1	COMPLETE R.H. LATERAL HALF FLOOR -Valid for GD-
3	67958600	1	COMPLETE L.H. LATERAL HALF FLOOR -Not for GD-
3	68152100	1	COMPLETE L.H. LATERAL HALF FLOOR -Valid for GD-
4	6166250	1	R.H. FRONT CROSS MEMBER
5	6166251	1	R.H. REAR CROSS MEMBER
6	6166150	1	L.H. FRONT CROSS MEMBER
7	6166151	1	L.H. REAR CROSS MEMBER
8	67411000	1	R.H. LATERAL REAR CROSSMEMBAR
9	67411200	1	L.H. LATERAL REAR CROSSMEMBAR
10	166232	1	R.H. REINFORCEMENT FRAME
11	166132	1	L.H. REINFORCEMENT FRAME
12	67386100	1	R.H. CROSSMEMBER
13	181981	-	CORE FOR REPAIR
14	67386000	1	L.H. CROSSMEMBER
15	166343	1	COMPLETE REAR SHIELD
16	64811000	1	R.H. REAR FIXING FRAME
17	64811100	1	L.H. REAR FIXING FRAME
18	65153400	1	R.H. FRONT SIDE MOLDING
19	65153500	1	L.H. FRONT SIDE MOLDING
20	65998100	1	R.H. REAR SIDE MOLDING
21	65998200	1	L.H. REAR SIDE MOLDING
22	64804300	1	R.H. REWINDER FIXING REINFORCEMENT
23	64804400	1	L.H. REWINDER FIXING REINFORCEMENT
24	64803500	1	R.H. LATERAL MOLDING
25	64803600	1	L.H. LATERAL MOLDING
26	181980	-	UPPER INNER CORE
27	181979	-	LOWER INNER CORE
28	177542	1	BRACKET FOR OIL RADIATOR
29	66292200	-	STANDARD HEAD RIVET
29	66292300	-	HALF REPOTTED HEAD RIVET
30	65133800	-	RIVET L. 6,4 mm
31	15624211	-	ESAGONAL RIVET M4
31	15180411	-	BLIND ESAGONAL RIVET
31	15624511	-	ESAGONAL RIVET M8
31	15624411	-	ESAGONAL RIVET M6
31	15624311	-	ESAGONAL RIVET M5
32	65151200	-	RIVET M6
33	166101	-	RIVET M4
33	65135000	-	RIVET M8
33	65930400	-	RIVET M6
33	65319800	-	RIVET M8 BLIND
33	179299	-	RIVET M10 BLIND
34	65065400	-	STUD ESAGONAL HEAD M6
35	13836971	-	SCREW
36	66464800	1	R.H. PANEL UPPER FRAME

37	66464900	1	L.H. PANEL UPPER FRAME
38	65386100	1	R.H. SUPPORT CENTRAL OVERLAP
39	65386200	1	L.H. SUPPORT CENTRAL OVERLAP
40	70000950	1	INSERTS KIT FOR REPAIR
41	182624	1	R.H. FUEL TANK PROTECTION PLATE
42	182623	1	L.H. FUEL TANK PROTECTION PLATE
43	65903600	1	R.H. STRIKER REINFORCEMENT
44	65903700	1	L.H. STRIKER REINFORCEMENT

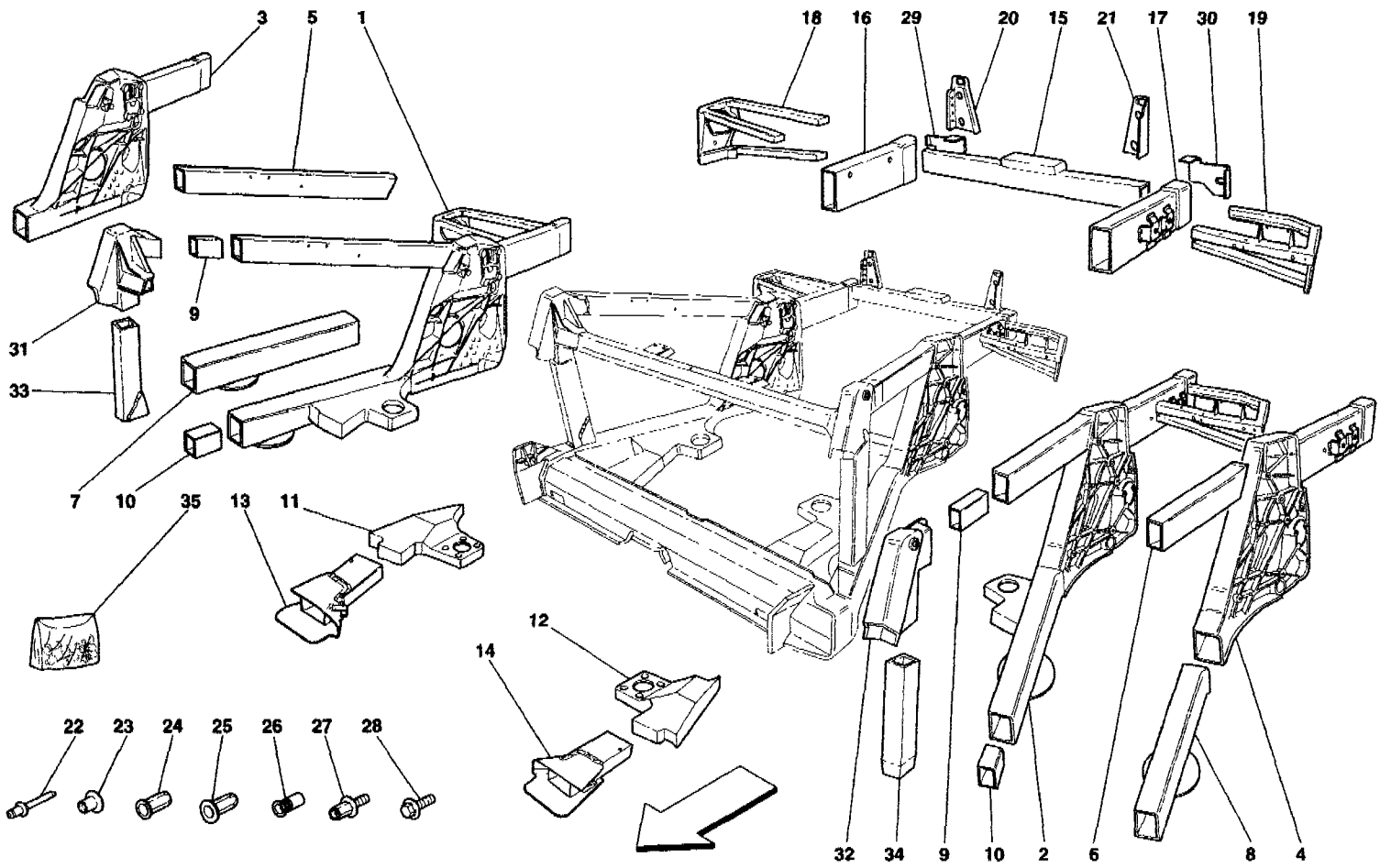
Challenge Stradale - 104 - FRAME - REAR ELEMENTS STRUCTURES AND PLATES



Challenge Stradale - 104 - FRAME - REAR ELEMENTS STRUCTURES AND PLATES

1	67607000	1	COMPLETE REAR FRAME -Not for USA and CDN-
1	68152200	1	COMPLETE REAR FRAME -Valid for USA and CDN-
2	65943000	1	COMPLETE TAIL REAR WINDOW CROSSPIECE -Not for USA and CDN-
2	66451700	1	COMPLETE TAIL REAR WINDOW CROSSPIECE -Valid for USA and CDN-
3	65943100	1	REAR CROSS MEMBER
4	6166260	1	R.H. LOWER REAR CASTING -Valid till car Nr. 138027-
4	199984	1	R.H. LOWER REAR CASTING -Valid from car Nr. 138028-
5	6166160	1	L.H. LOWER REAR CASTING -Valid till car Nr. 138027-
5	199983	1	L.H. LOWER REAR CASTING -Valid from car Nr. 138028-
6	65993600	1	COMPLETE LOWER CROSS MEMBER
7	70000950	1	INSERTS KIT FOR REPAIR
8	166320	1	CROSS MEMBER
9	65943700	1	COMPLETE REAR REMOVIBLE FRAME
10	67607300	1	COMPLETE REAR FRAME
11	65756300	1	BRACKET FOR ENGINE HOOD BONNETLOCK
12	66292200	-	STANDARD HEAD RIVET
12	66292300	-	HALF REPOTTED HEAD RIVET
13	65133800	-	RIVET L. 6,4 mm
14	15624211	-	ESAGONAL RIVET M4
14	15180411	-	BLIND ESAGONAL RIVET
14	15624511	-	ESAGONAL RIVET M8
14	15624411	-	ESAGONAL RIVET M6
14	15624311	-	ESAGONAL RIVET M5
15	65151200	-	RIVET M6
16	166101	-	RIVET M4
16	65135000	-	RIVET M8
16	65930400	-	RIVET M6
16	65319800	-	RIVET M8 BLIND
16	179299	-	RIVET M10 BLIND
17	65065400	-	STUD ESAGONAL HEAD M6
18	13836971	-	SCREW
19	14306374	8	SCREW
20	127496	8	WASHER
21	10519601	8	WASHER
22	62940900	2	SCREW
23	13027024	4	SCREW
24	10523424	4	WASHER
25	183554	4	COMPLETE SCREW
26	13028734	4	SCREW
27	127496	4	WASHER
28	10519601	4	WASHER
29	179268	2	L.H. BRACKET
29	179269	2	R.H. BRACKET
30	67607800	1	R.H. BRACKET LOWER FIXING ROLL-BAR -Not for USA, CDN and AUS-
31	67607900	1	L.H. BRACKET LOWER FIXING ROLL-BAR -Not for USA, CDN and AUS-
32	67608200	2	BRACKET FOR REAR SPRAG FIXING ROLL-BAR -Not for USA, CDN and AUS-

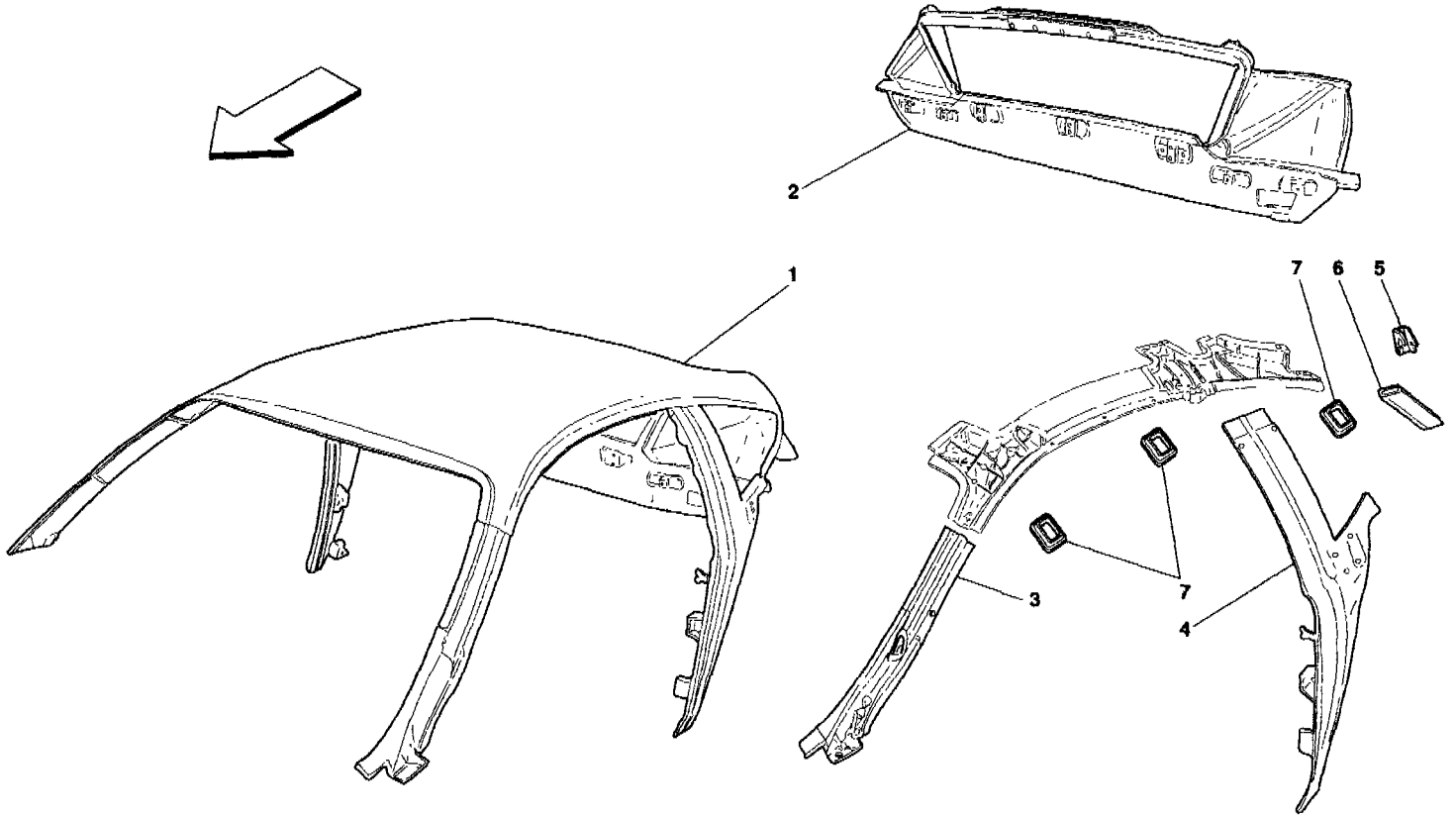
Challenge Stradale - 105 - FRAME - REAR ELEMENTS SUB-GROUPS



Challenge Stradale - 105 - FRAME - REAR ELEMENTS SUB-GROUPS

1	67977800	1	COMPLETE R.H. SIDE FRAME
2	67977900	1	COMPLETE L.H. SIDE FRAME
3	67977600	1	R.H. REAR LATERAL CASTING
4	67977700	1	L.H. REAR LATERAL CASTING
5	166227	1	R.H. UPPER FRAME
6	166127	1	L.H. UPPER FRAME
7	66465000	1	R.H. LOWER FRAME
8	66465100	1	L.H. LOWER FRAME
9	181980	-	CORE FOR REPAIR
10	181979	-	CORE FOR REPAIR
11	6187237	1	R.H. BRACKET ENGINE SUPPORT
11	195208	1	-Valid till car Nr. 138027- R.H. BRACKET ENGINE SUPPORT -Valid from car Nr. 120069 for GS and 120194 for GD- -Valid from car Nr. 138028-
12	6187137	1	L.H. BRACKET ENGINE SUPPORT -Valid till car Nr. 138027-
12	195207	1	L.H. BRACKET ENGINE SUPPORT -Valid from car Nr. 138028-
13	65942200	1	R.H. SUPPORT FOR BRACKET
14	65942300	1	L.H. SUPPORT FOR BRACKET
15	183978	1	REAR BUMPER CROSS MEMBER
16	203115	1	R.H. REAR FRAME
17	203116	1	L.H. REAR FRAME
18	64810000	1	R.H. REAR FENDER FRAME
19	65995500	1	L.H. REAR FENDER FRAME
20	65151611	1	R.H. SIDE BRACKET
21	65151711	1	L.H. SIDE BRACKET
22	66292200	-	STANDARD HEAD RIVET
22	66292300	-	HALF REPOTTED HEAD RIVET
23	65133800	-	RIVET L. 6,4 mm
24	15624211	-	ESAGONAL RIVET M4
24	15180411	-	BLIND ESAGONAL RIVET
24	15624511	-	ESAGONAL RIVET M8
24	15624411	-	ESAGONAL RIVET M6
24	15624311	-	ESAGONAL RIVET M5
25	65151200	-	RIVET M6
26	166101	-	RIVET M4
26	65135000	-	RIVET M8
26	65930400	-	RIVET M6
26	65319800	-	RIVET M8 BLIND
26	179299	-	RIVET M10 BLIND
27	65065400	-	STUD ESAGONAL HEAD M6
28	13836971	-	SCREW
29	166288	1	R.H. BRACKET
30	166188	1	L.H. BRACKET
31	6166261	1	R.H. UPPER FUSION REAR PILLAR
32	6166161	1	L.H. UPPER FUSION REAR PILLAR
33	66051200	1	COMPLETE R.H. REAR PANEL
34	66051100	1	COMPLETE L.H. REAR PANEL
35	70000950	1	INSERTS KIT FOR REPAIR

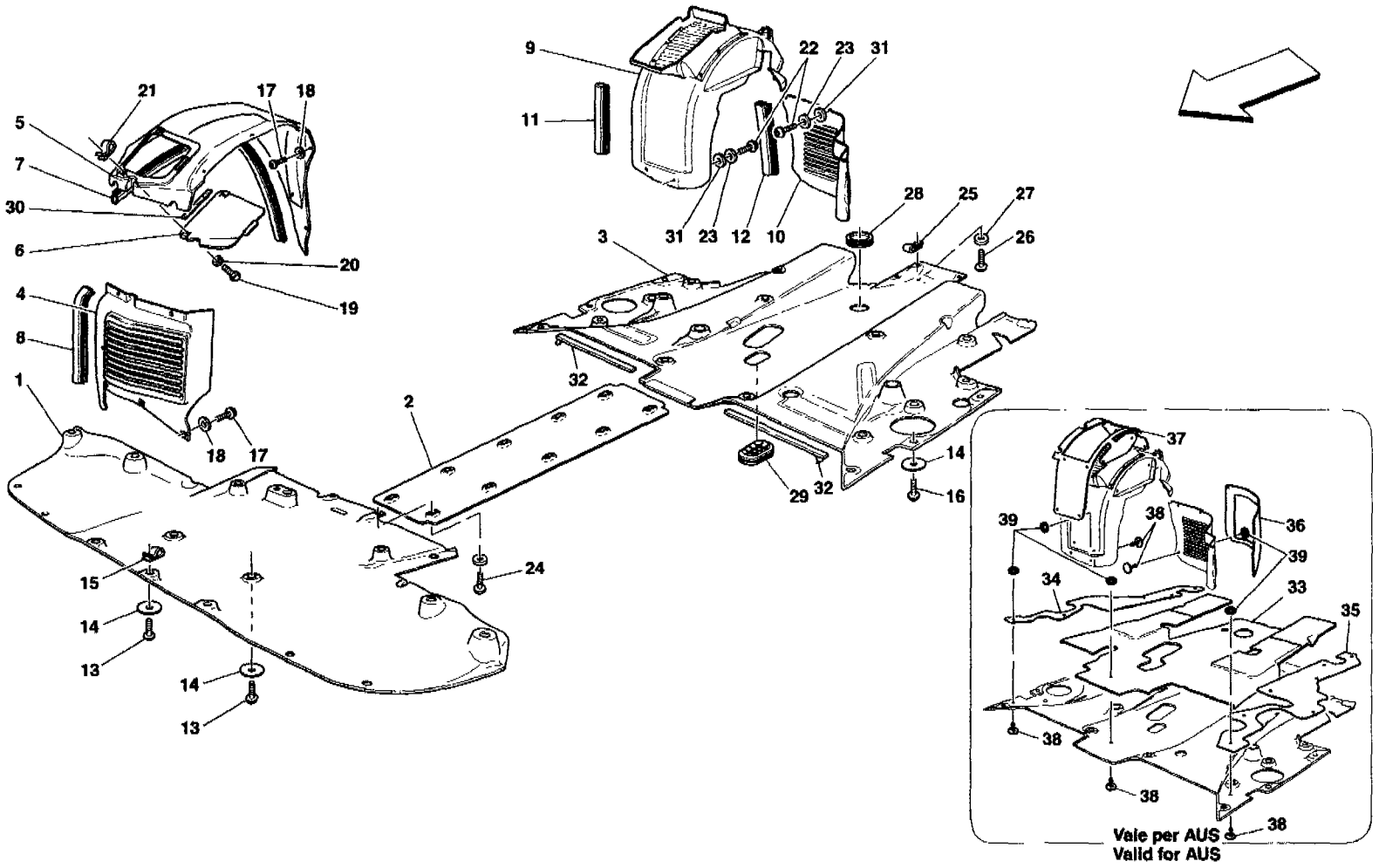
Challenge Stradale - 106 - ROOF - STRUCTURE



Challenge Stradale - 106 - ROOF - STRUCTURE

1	65703000	1	COMPLETE ROOF
2	64804500	1	REAR WINDOW MOULDING
3	65943500	1	L.H. SIDE MOLDING
3	65943400	1	R.H. SIDE MOLDING
4	65019700	1	L.H. CENTRAL PILLAR
4	65019600	1	R.H. CENTRAL PILLAR
5	64854300	1	BRACKET FOR L.H. PROP FIXING
5	64807900	1	BRACKET FOR R.H. PROP FIXING
6	65804100	1	COMPLETE L.H. REAR PANEL
6	65804000	1	COMPLETE R.H. REAR PANEL
7	65715200	6	PLUG

Challenge Stradale - 107 - FLAT FLOOR PAN AND WHEELHOUSE

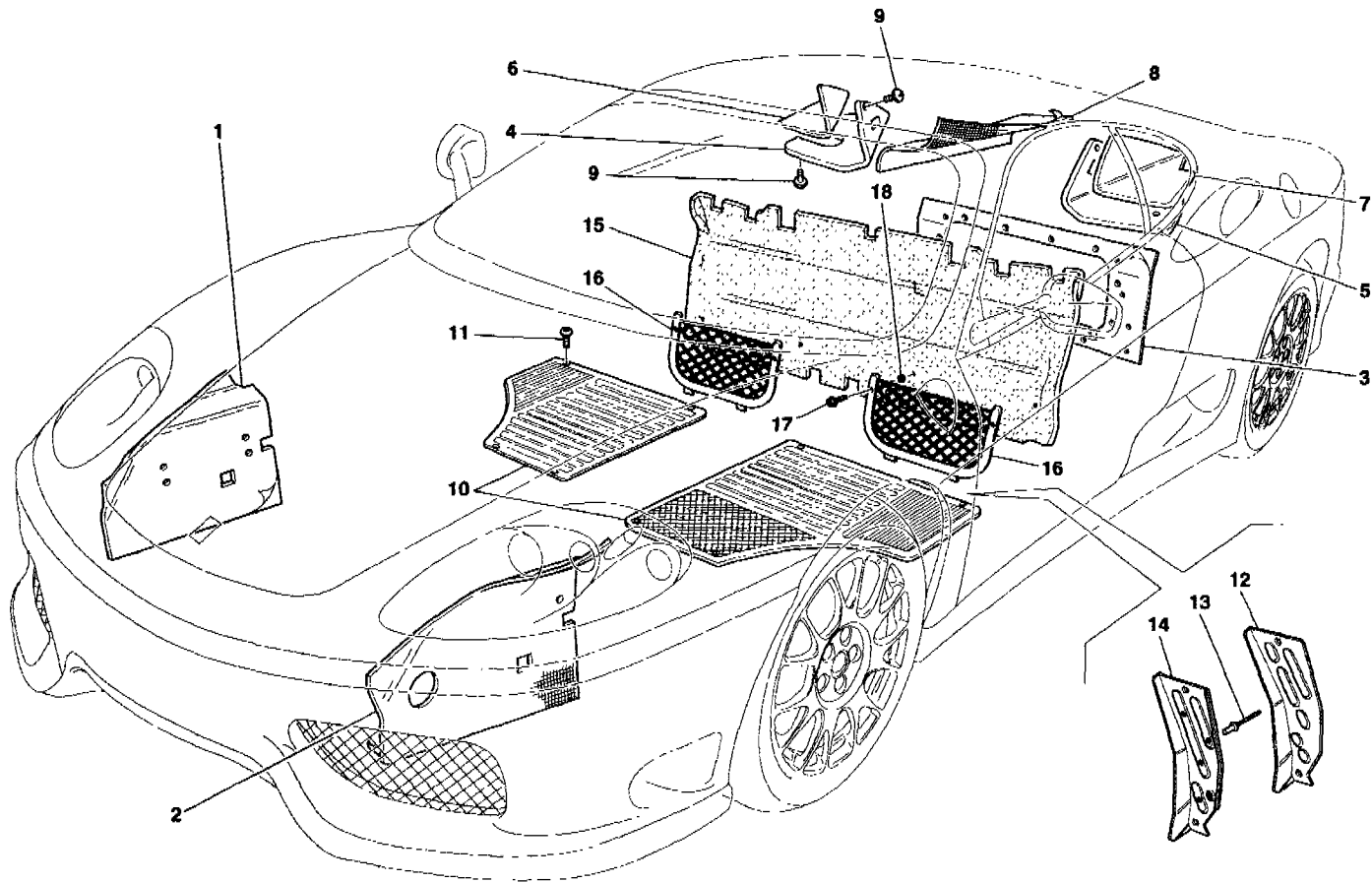


Challenge Stradale - 107 - FLAT FLOOR PAN AND WHEELHOUSE

1	67670100	1	FRONT UNDER THE BODY SHELL SHIELD
2	65512100	1	CENTRAL UNDER THE BODY SHELL SHIELD -Not as spare part- -Replaced by 67895100-
2	67895100	1	CENTRAL UNDER THE BODY SHELL SHIELD
3	67670200	1	REAR UNDER THE BODY SHELL SHIELD
4	65872500	1	FRONT GRAVEL GUARD FOR R.H. FRONT WHEEL
4	65872600	1	FRONT GRAVEL GUARD FOR L.H. FRONT WHEEL
5	65536700	1	R.H. FRONT WHEELHOUSE OUTER CARPET SHIELD
5	65536800	1	L.H. FRONT WHEELHOUSE OUTER CARPET SHIELD
6	65522300	1	R.H. WHEELHOUSE DOOR
6	65522400	1	L.H. WHEELHOUSE DOOR
7	64857800	2	GASKET
8	64994500	2	GASKET
9	65060000	1	R.H. REAR WHEELHOUSE ASSEMBLY -Front side-
9	65060100	1	L.H. REAR WHEELHOUSE ASSEMBLY -Front side-
10	63266100	1	R.H. GRAVEL GUARD FOR REAR WHEEL
10	63266200	1	L.H. GRAVEL GUARD FOR REAR WHEEL
11	64865000	2	GASKET
12	64994700	2	GASKET
13	15903975	7	SCREW
14	12640677	7	WASHER
15	62767600	7	CLIP FOR SCREW
16	65377400	22	SCREW
17	13276477	10	SCREW
18	12643778	10	WASHER
19	10977887	4	SCREW
20	12638177	4	WASHER
21	66927700	2	BRACKET
22	13276477	18	SCREW
23	11197777	18	WASHER
24	10902424	10	SCREW
25	62767600	2	CLIP FOR SCREW
26	15644175	2	SCREW
27	60711900	2	WASHER
28	64783600	1	PROTECTION PLUG
29	62678500	1	PLUG FOR HOLE
30	66092500	2	ANTI-VIBRATION GASKET
31	12643724	18	WASHER
32	66307900	2	GASKET
33	68456100	1	CENTRAL INSULATION -Valid from Nr.53911 for AUS-
34	68456200	1	R.H. LATERAL INSULATION -Valid from Nr.53911 for AUS-
35	68456300	1	L.H. LATERAL INSULATION -Valid from Nr.53911 for AUS-
36	68455900	1	INSULATION FOR R.H. WHEEL PROTECTION -Valid from Nr.53911 for AUS-
36	68456000	1	INSULATION FOR L.H. WHEEL PROTECTION -Valid from Nr.53911 for AUS-
37	68456400	1	INSULATION FOR R.H. WHEEL HOUSE

37	68456500	1	-Valid from Nr.53911 for AUS- INSULATION FOR L.H. WHEEL HOUSE
38	68484300	21	-Valid from Nr.53911 for AUS- BUTTON
39	68484400	21	-Valid from Nr.53911 for AUS- FIXING CLIP -Valid from Nr.53911 for AUS-

Challenge Stradale - 108 - INSULATIONS AND PASSENGERS COMPARTMENT CARPETS

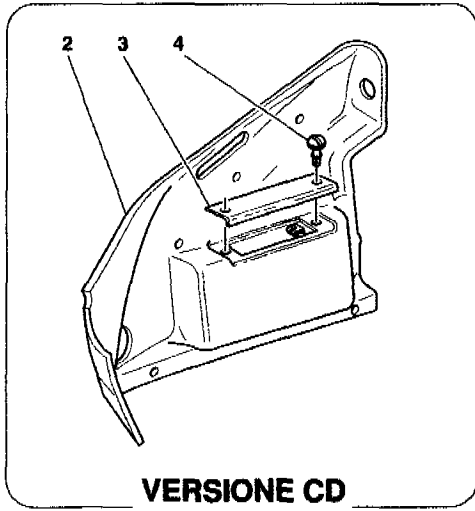


Challenge Stradale - 108 - INSULATIONS AND PASSENGERS COMPARTMENT CARPETS

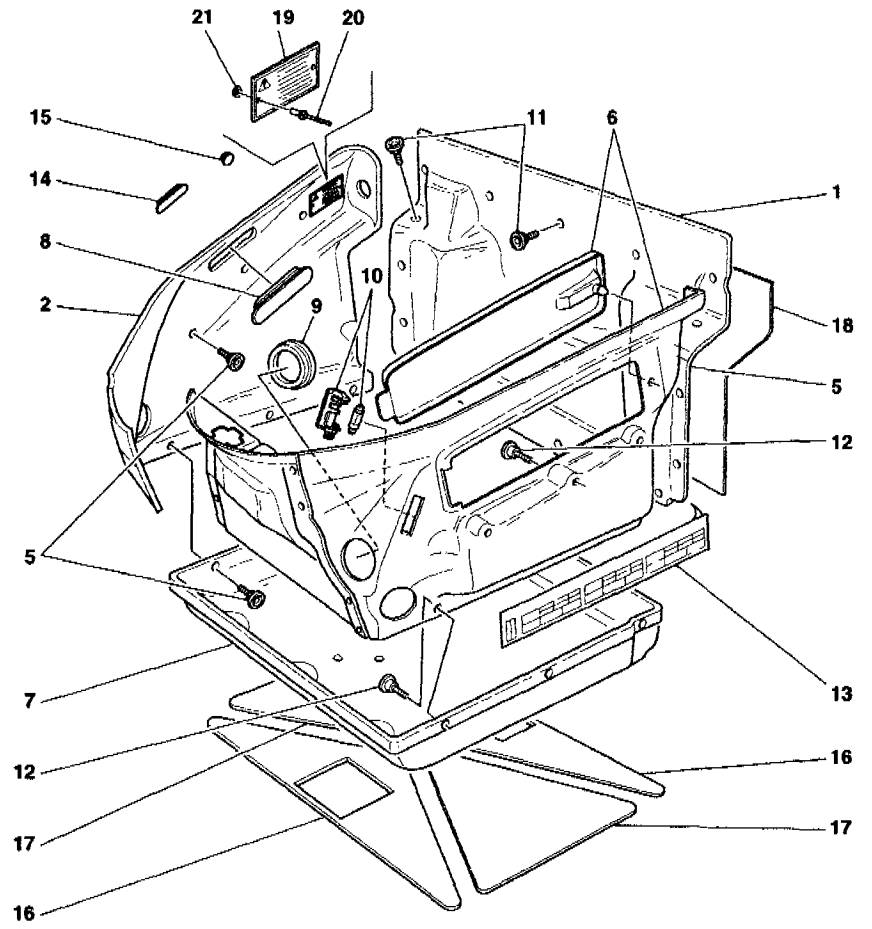
1	65774500	1	OUTER FRONT R.H. INSULATION
2	65774400	1	OUTER FRONT L.H. INSULATION
3	65524300	1	MOTOR COMPARTMENT REAR SIDE INSULATION
4	65840800	1	MOTOR COMPARTMENT/FUEL TANK R.H. INSULATION
5	65840700	1	MOTOR COMPARTMENT/FUEL TANK L.H. INSULATION
6	65303300	1	R.H. SMALL PLANE INSULATION
7	65303400	1	L.H. SMALL PLANE INSULATION
8	65774600	1	R.H. REAR MUDGUARD INSULATION
9	66252500	6	BUTTON
10	67605200	1	COMPLETE MOVABLE CARPETS KIT -Not for Extinguisher cars- -Not for GD-
10	68152700	1	COMPLETE MOVABLE CARPETS KIT -Not for Extinguisher cars- -Valid for GD-
10	67605500	1	COMPLETE MOVABLE CARPETS KIT -Valid for Extinguisher cars- -Not for GD-
10	68152800	1	COMPLETE MOVABLE CARPETS KIT -Valid for Extinguisher cars- -Valid for GD-
11	60860600	8	SCREW
12	65628900	1	SLAB FOR DRIVER SIDE FOOT REST -Not for GD-
13	14642291	5	RIVET -Not for GD-
14	65524100	1	DRIVER SIDE FOOT REST -Not for GD-
15	674257..	1	COMPLETE REAR CARPET -Lorica version- -Valid for 3 point safety belts- -Not for cars with roll bar-
15	678020..	1	COMPLETE REAR CARPET -Lorica version- -Valid for 3 point safety belts- -Valid for cars with roll bar- -Not for USA, CDN and AUS-
15	678021..	1	COMPLETE REAR CARPET -Lorica version- -Valid for 4 point safety belts- -Not for cars with roll bar- -Not for USA, CDN,AUS and J-
15	678022..	1	COMPLETE REAR CARPET -Lorica version- -Valid for 4 point safety belts- -Valid for cars with roll bar- -Not for USA, CDN, AUS and J-
15	668421..	1	COMPLETE REAR CARPET - Leather version- -Valid for 3 point safety belts- -Not for cars with roll bar-
15	678023..	1	COMPLETE REAR CARPET - Leather version- -Valid for 3 point safety belts- -Valid for cars with roll bar- -Not for USA, CDN and AUS-
15	678024..	1	COMPLETE REAR CARPET - Leather version- -Valid for 4 point safety belts- -Not for cars with roll bar- -Not for USA, CDN, AUS and J-

15	678025..	1	COMPLETE REAR CARPET - Leather version- -Valid for 4 point safety belts- -Valid for cars with roll bar- -Not for USA, CDN, AUS and J-
16	66761900	2	SEAT BACK POCKET -Not for leather version-
16	662906..	2	SEAT BACK POCKET -Leather version-
17	168133	4	SCREW
18	65708600	4	BUSHING

For particular colour matchings, make order by Fax or E-m@il, specifying serial number. - See "INNER TRIMS CAR CODES" table for codes of parts covered in leather or moquette.



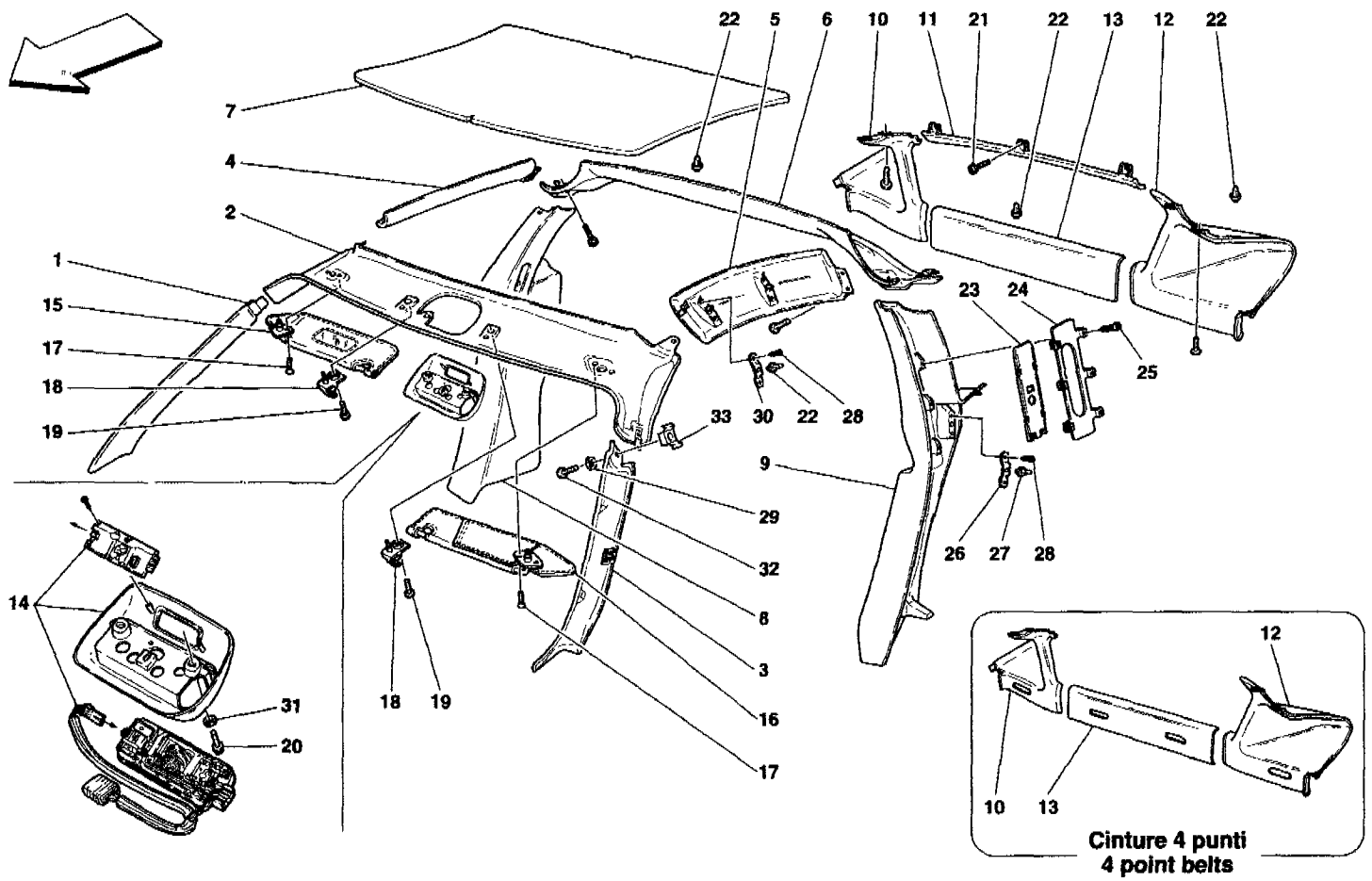
**VERSIONE CD
CD VERSION**



Challenge Stradale - 109 - FRONT COMPARTMENT TRIMS

1	67748500	1	TRUNK COMPARTMENT REAR PANEL
2	65301500	1	R.H. SIDE CARPET TRUNK COMPARTMENT
2	65527100	1	-Valid for cars without CD charger- R.H. SIDE CARPET TRUNK COMPARTMENT
3	65544200	1	-Valid for cars with CD charger- CD CHARGER DOOR
4	65970500	2	-Valid for cars with CD charger- BUTTON WITH PIN
5	65933500	11	-Valid for cars with CD charger- SCREW
6	67748700	1	COVER FOR CONTROL UNIT INSPECTION
7	65301400	1	TRUNK COMPARTMENT BOTTOM CARPET
8	62678500	2	PLUG
9	63965800	4	PLUG
10	139517	1	DOME LAMP
11	66091000	11	SCREW
12	65970400	7	SCREW
13	168849	1	RELAYS AND FUSES NAMEPLATE
14	65715100	2	PLUG
15	14567487	2	PLUG
16	65527000	2	INSULATION
17	65528500	2	INSULATION
18	66212900	1	WATER PROTECTION CLOTH
19	201280	1	PLATE FOR BATTERY CUT-OUT
20	14641492	2	-Valid from Ass. Nr.50514- RIVET
21	14498501	2	-Valid from Ass. Nr.50514- WASHER
			-Valid from Ass. Nr.50514-

Challenge Stradale - 110 - ROOF PANEL UPHOLSTERY AND ACCESSORIES



Challenge Stradale - 110 - ROOF PANEL UPHOLSTERY AND ACCESSORIES

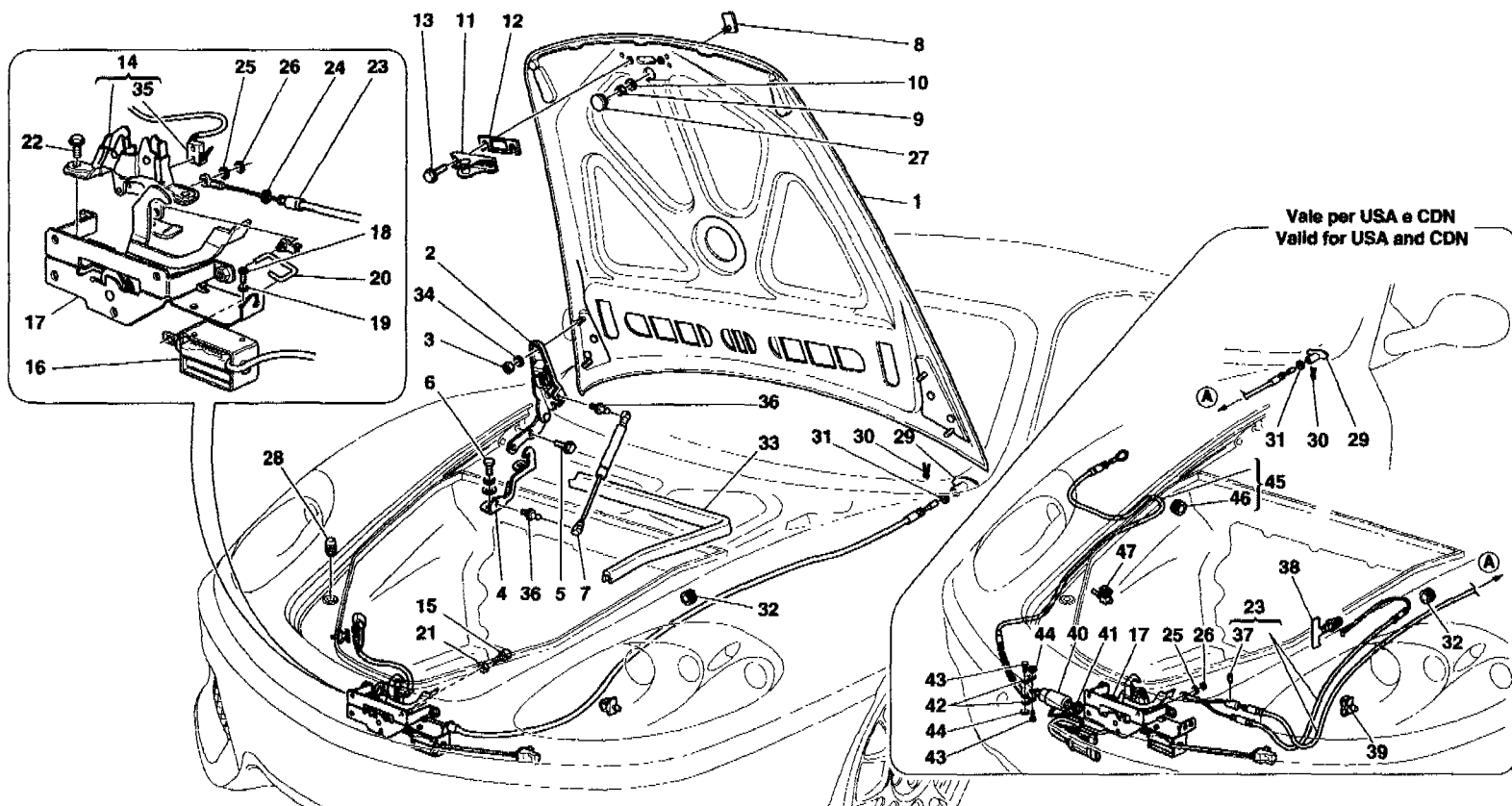
1	674648..	1	COMPLETE R.H. PILLAR COVER -Not for USA and CDN-
1	674649..	1	LINING
1	677754..	1	-Not for USA and CDN- COMPLETE R.H. PILLAR COVER
1	677755..	1	-Valid for USA and CDN- LINING
2	674639..	1	-Valid for USA and CDN- WINDSCREEN UPPER COVER
2	674641..	1	-Not for USA and CDN- LINING
2	677752..	1	-Not for USA and CDN- WINDSCREEN UPPER COVER
2	677753..	1	-Valid for USA and CDN- LINING
3	674650..	1	-Valid for USA and CDN- COMPLETE L.H. PILLAR COVER
3	674651..	1	-Not for USA and CDN- LINING
3	677756..	1	-Not for USA and CDN- COMPLETE L.H. PILLAR COVER
3	677757..	1	-Valid for USA and CDN- LINING
4	674652..	1	-Valid for USA and CDN- COMPLETE R.H. SIDE RAIL COVER
4	674653..	1	-Not for USA and CDN- LINING
4	677758..	1	-Not for USA and CDN- COMPLETE R.H. SIDE RAIL COVER
4	677759..	1	-Valid for USA and CDN- LINING
5	674654..	1	-Valid for USA and CDN- COMPLETE L.H. SIDE RAIL COVER
5	674655..	1	-Not for USA and CDN- LINING
5	677760..	1	-Not for USA and CDN- COMPLETE L.H. SIDE RAIL COVER
5	677761..	1	-Valid for USA and CDN- LINING
6	674684..	1	-Valid for USA and CDN- COMPLETE REAR ROOF COVER
6	674685..	1	-Not for USA and CDN- LINING
6	677776..	1	-Not for USA and CDN- COMPLETE REAR ROOF COVER
6	677777..	1	-Valid for USA and CDN- LINING
7	67463700	1	-Valid for USA and CDN- COMPLETE UPHOLSTERY
7	658955..	1	-Technical silver tissue- COMPLETE UPHOLSTERY
8	674656..	1	-LEATHER- COMPLETE R.H. CENTRAL PILLAR COVER
8	674657..	1	-Not for 4 point belts cars- -Not for USA and CDN- LINING
8	674663..	1	-Not for 4 point belts cars- -Not for USA and CDN- COMPLETE R.H. CENTRAL

			PILLAR COVER
8	674664..	1	-Valid for 4 point belts cars- -Not for USA, CDN, AUS and J-LINING
8	677762..	1	-Valid for 4 point belts cars- -Not for USA, CDN, AUS and J-COMplete R.H. CENTRAL PILLAR COVER
8	677763..	1	-Not for 4 point belts cars- -Valid for USA and CDN-LINING
9	674670..	1	-Not for 4 point belts cars- -Valid for USA and CDN-COMplete L.H. CENTRAL PILLAR COVER
9	674671..	1	-Not for 4 point belts cars- -Not for USA and CDN-LINING
9	674677..	1	-Not for 4 point belts cars- -Not for USA and CDN-COMplete L.H. CENTRAL PILLAR COVER
9	674678..	1	-Valid for 4 point belts cars- -Not for USA, CDN, AUS and J-LINING
9	677769..	1	-Valid for 4 point belts cars- -Not for USA, CDN, AUS and J-COMplete L.H. CENTRAL PILLAR COVER
9	677770..	1	-Not for 4 point belts cars- -Valid for USA and CDN-LINING
10	674696..	1	-Not for 4 point belts cars- -Valid for USA and CDN-COMplete R.H. REAR WINDOW COVER
10	674697..	1	-Not for 4 point belts cars-LINING
10	674903..	1	-Not for 4 point belts cars- -Valid for USA and CDN-COMplete R.H. REAR WINDOW COVER
10	674902..	1	-Valid for 4 point belts cars- -Not for USA, CDN, AUS and J-LINING
11	674686..	1	-Valid for 4 point belts cars- -Not for USA, CDN, AUS and J-COMplete REAR OVER-WINDOW CROSSMEMBER
11	674687..	1	LINING
12	674913..	1	COMPLETE L.H. REAR WINDOW COVER
12	674914..	1	-Not for 4 point belts cars-LINING
12	674918..	1	-Not for 4 point belts cars- -Valid for USA and CDN-COMplete L.H. REAR WINDOW COVER
12	674919..	1	-Valid for 4 point belts cars- -Not for USA, CDN, AUS and J-LINING
13	674688..	1	-Valid for 4 point belts cars- -Not for USA, CDN, AUS and J-COMplete REAR UNDER-WINDOW CROSSMEMBER
13	674689..	1	-Not for 4 point belts cars-LINING
13	674692..	1	-Not for 4 point belts cars- -Valid for USA and CDN-COMplete REAR UNDER-WINDOW CROSSMEMBER
			-Valid for 4 point belts cars- -Not for USA, CDN, AUS and J-

13	674693..	1	LINING -Valid for 4 point belts cars- -Not for USA, CDN, AUS and J-
14	66398400	1	COMPLETE DOME LAMP
15	676091..	1	COMPLETE R.H. SUN SCREEN -Not for GD-
15	678354..	1	COMPLETE R.H. SUN SCREEN -Valid for GD-
16	676090..	1	COMPLETE L.H. SUN SCREEN -Not for GD-
16	678352..	1	COMPLETE L.H. SUN SCREEN -Valid for GD-
17	13309477	4	SCREW
18	65151500	2	CENTRAL BRACKET
19	13274277	2	SCREW
20	64830600	3	SCREW
21	64830600	13	SCREW
22	14186880	16	RETAINER
23	65070800	2	PLATE
24	65069800	2	BRACKET
25	15901501	12	SCREW
26	66092200	8	FIXING PLATE
27	66092400	8	PLUG
28	16082901	24	SCREW
29	12643778	6	WASHER
30	65069900	4	FIXING PLATE
31	12643778	3	WASHER
32	64830600	6	SCREW
33	14648490	6	NUT WITH CAGE

For particular colour matchings, make order by Fax or E-mail, specifying serial number. - See "INNER TRIMS CAR CODES" table for codes of parts covered in leather or moquette.

Challenge Stradale - 111 - FRONT HOOD AND OPENING DEVICE



Challenge Stradale - 111 - FRONT HOOD AND OPENING DEVICE

1	65313100	1	SHEETED COMPLETE FRONT HOOD BONNET
2	65712200	1	COMPLETE R.H. HINGE
2	65712300	1	COMPLETE L.H. HINGE
3	13832211	4	NUT
4	65710600	1	R.H. BRACKET
4	65710700	1	L.H. BRACKET
5	16287124	4	SCREW
6	16287127	4	SCREW
7	67508100	2	SHOCK ABSORBER FOR HOOD SUPPORT
8	65394800	1	FRONT ORNAMENT
9	169180	1	NUT
10	10519378	1	WASHER
11	65770100	1	STRIKER
12	65772100	1	THICKNESS
13	16286027	2	SCREW
14	67046200	1	COMPLETE INNER DEVICE FOR FRONT HOOD OPENING
15	13027026	4	SCREW
16	65757300	1	ACTUATOR
17	67011600	1	COMPLETE BRACKET -Not for USA and CDN-
17	67364800	1	COMPLETE BRACKET -Valid for USA and CDN-
18	13271814	2	SCREW
19	127492	2	WASHER
20	65777800	1	SMALL ROD
21	11194674	4	WASHER
22	16296927	2	SCREW
23	65801300	1	COMPLETE CABLE FOR FRONT HOOD OPENING -Not for USA and CDN-
23	67404100	1	CABLE FOR HANDLE FOR SAFETY CHILDREN -Valid for USA and CDN-
24	11087676	1	FLEXIBLE RING
25	14496101	1	WASHER
26	11087476	1	FLEXIBLE RING
27	14506787	1	PLUG
28	65546600	2	SMALL BLOCK
29	60710900	1	EMERGENCY HANDLE
30	60711000	1	CLIP
31	11087674	1	FLEXIBLE RING
32	10396180	2	CABLE GROMMET
33	65850000	1	GASKET FOR TRUNK HOOD
34	12646724	4	WASHER
35	67493300	1	MICRO-SWITCH
36	65939900	4	PIN
37	60276805	1	DOWEL -Valid for USA and CDN-
38	67053000	1	HANDLE FOR SAFETY CHILDREN -Valid for USA and CDN-
39	62854300	1	FIXING CLIP -Valid for USA and CDN-
40	67365100	1	ACTUATOR -Valid for USA and CDN-
41	60538800	1	RING NUT -Valid for USA and CDN-
42	67558300	2	SMALL LINK -Valid for USA and CDN-
43	67555700	2	PIN -Valid for USA and CDN-
44	11087476	2	FLEXIBLE RING -Valid for USA and CDN-
45	67405000	1	EMERGENCY CABLE -Valid for USA and CDN-
46	10396180	1	CABLE GROMMET -Valid for USA and CDN-

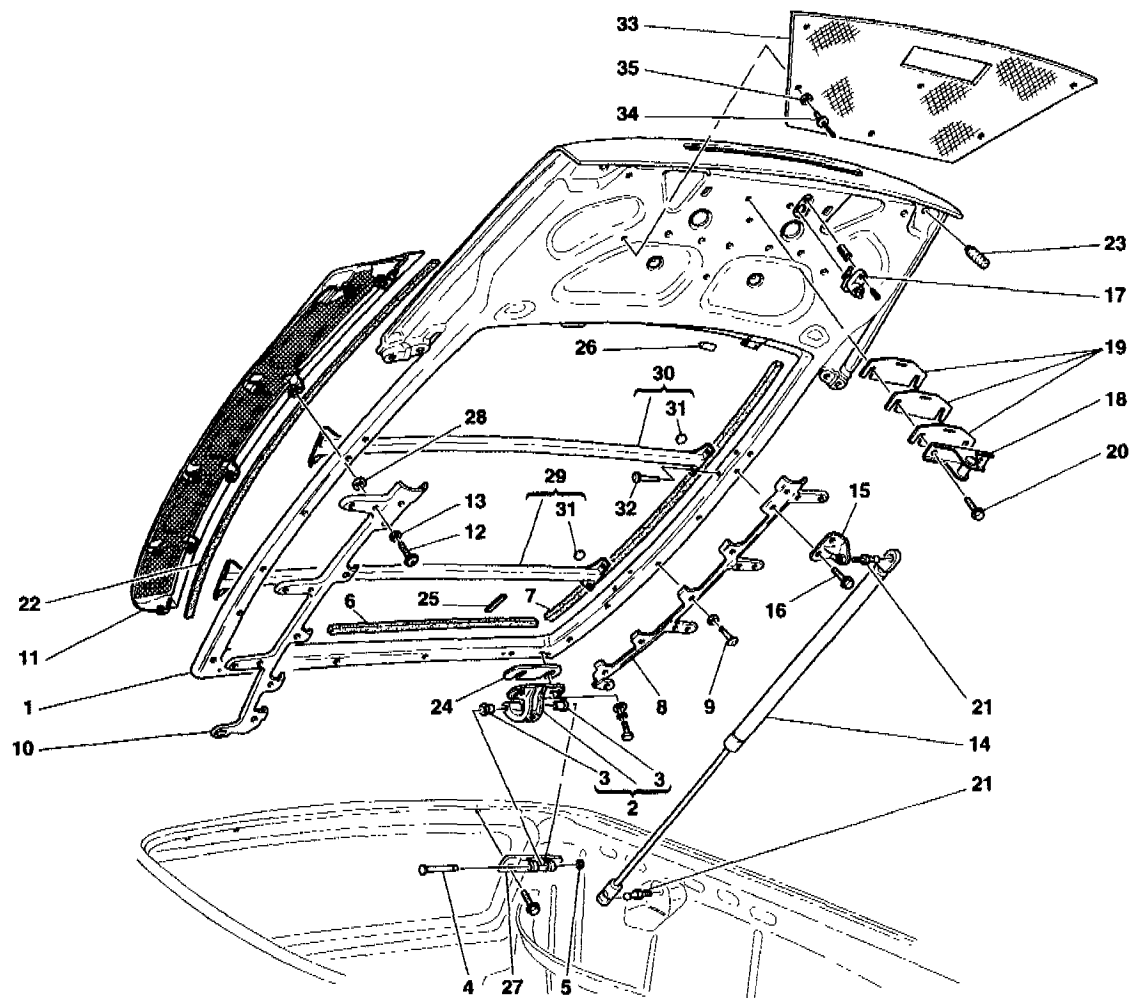
47

65897700

1

CLIP
-Valid for USA and CDN-

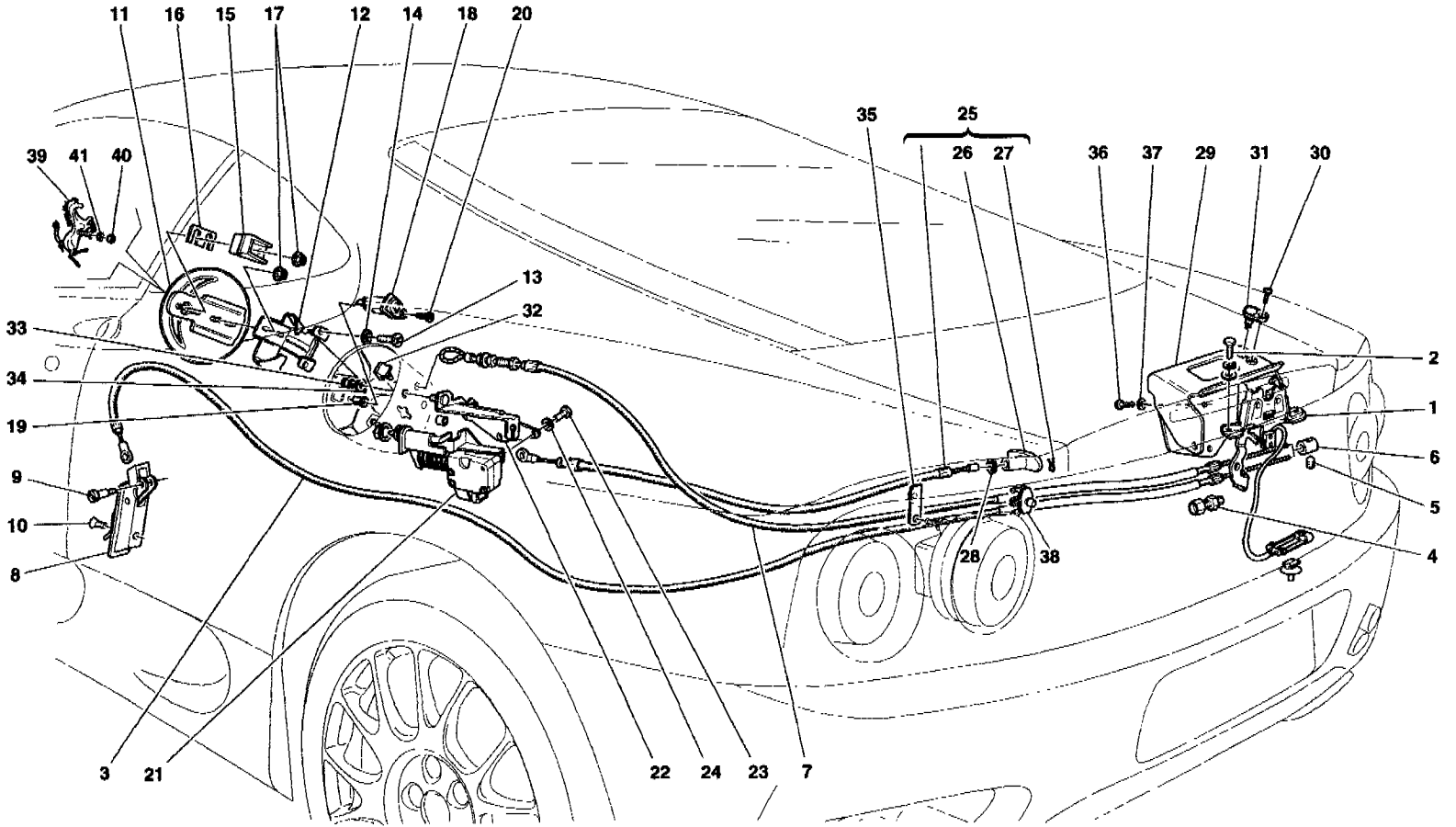
Challenge Stradale - 112 - ENGINE BONNET



Challenge Stradale - 112 - ENGINE BONNET

1	67361311	1	REAR HOOD BONNET
2	64877500	1	R.H. MOBILE HINGE
2	64877600	1	L.H. MOBILE HINGE
3	62825300	4	HINGE BUSHING
4	64807100	2	PIN
5	11087974	2	FLEXIBLE RING
6	67774400	1	UPPER GASKET
7	67774300	2	LATERAL GASKET
8	67416700	1	R.H. PLATE
9	62940900	8	SCREW
10	67416800	1	L.H. PLATE
11	67670600	1	COMPLETE L.H. GRILL SUPPORT
11	67670500	1	COMPLETE R.H. GRILL SUPPORT
12	169815	18	SCREW
13	12638177	18	WASHER
14	65855000	2	GAS SPRING
15	65526300	2	BRACKET
16	16286124	4	SCREW
17	143331	1	ADDITIONAL STOP LIGHT MOBILE CONTACT
18	64867900	1	HOOD CLOSING STRIKER
19	65524800	4	ADJUSTING PLATE -Possible fitting-
20	16286027	2	SCREW
21	65939900	2	PIN
22	65979200	2	GASKET
23	62167600	2	SMALL BLOCK
24	66073100	6	THICKNESS
25	65714600	4	SPACER
26	63023300	18	SPACER
27	64806700	1	R.H. FIXED HINGE
27	64806800	1	L.H. FIXED HINGE
28	12644478	-	WASHER -Possible fitting-
29	67426600	1	FRONT FRAME
30	67426700	1	REAR FRAME
31	67509400	6	RUBBER
32	62940900	8	SCREW
33	68032900	1	INSULATION -Not as spare part- -Replaced by 68153200-
33	68153200	1	INSULATION
34	14641495	6	RIVET
35	12637824	6	WASHER

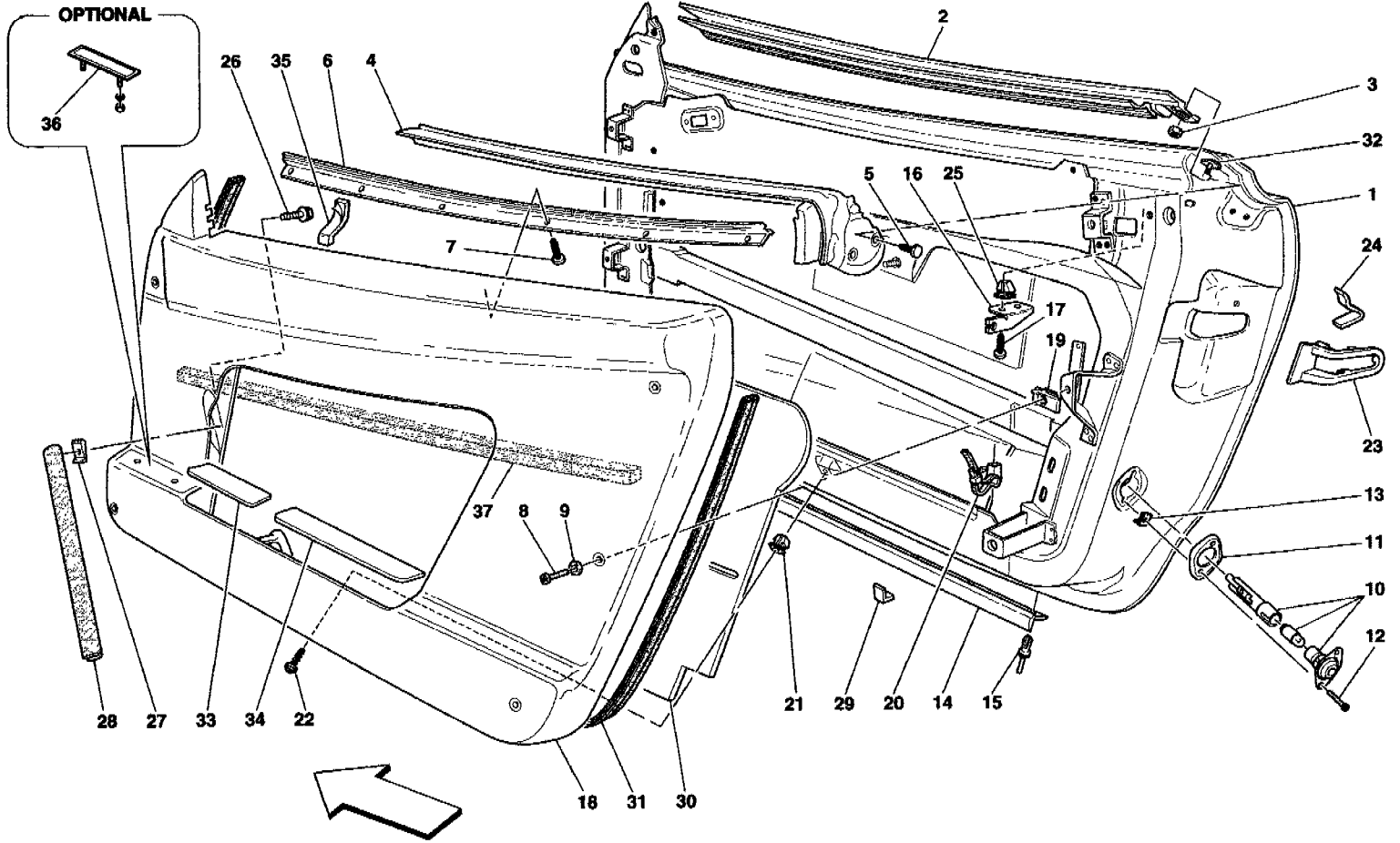
Challenge Stradale - 113 - OPENING DEVICES FOR ENGINE BONNET AND GAS DOOR



Challenge Stradale - 113 - OPENING DEVICES FOR ENGINE BONNET AND GAS DOOR

1	65732400	1	COMPLETE ENGINE BONNET LOCK -Not for GD-
1	65732500	1	COMPLETE ENGINE BONNET LOCK -Valid for GD-
2	16286127	2	SCREW
3	65853300	1	COMPLETE CABLE FOR MOTOR BONNET OPENING
4	62828900	1	REGISTER FOR CABLES
5	60276805	1	DOWEL
6	60276607	1	CONNECTION
7	65067300	1	COMPLETE SAFETY LOCK CABLE FOR ENGINE HOOD -Not for GD-
7	65849900	1	COMPLETE SAFETY LOCK CABLE FOR ENGINE HOOD -Valid for GD-
8	65808100	1	HANDLE FOR REAR HOOD OPENING
9	65852000	1	PIN
10	13299477	1	SCREW
11	67494110	1	FUEL INLET LID
12	64872100	1	HINGE FOR GAS UNION DOOR
13	13274014	2	SCREW
14	12605274	2	WASHER
15	65396000	1	STRIKER
16	65396100	2	SPACER
17	168698	2	NUT
18	153069	1	OPEN DOOR SWITCH
19	14115380	1	BLOCK
20	16082401	1	SCREW
21	65395900	1	ACTUATOR
22	65395800	1	ACTUATOR SUPPORTING BRACKET
23	15641275	2	SCREW
24	14496277	2	WASHER
25	65701000	1	COMPLETE SAFETY CABLE FOR GAS UNION DOOR
26	60710900	1	EMERGENCY HANDLE
27	60711000	1	CLIP
28	11087676	2	FLEXIBLE RING
29	65756100	1	ENGINE BONNET LOCK SHIELD
30	13297477	1	SCREW
31	62535900	1	ADDITIONAL STOP LIGHT FIXED CONTACT
32	63879900	2	RUBBER PAD
33	168698	2	NUT
34	12637878	2	WASHER
35	65506500	1	REAR PIPE FIXING BRACKET
36	10444887	4	SCREW
37	12642878	4	WASHER
38	177805	1	CLIP
39	67642200	1	CAVALLINO RAMPANTE
40	16101721	1	NUT
41	10615174	1	WASHER

Challenge Stradale - 114 - DOORS - FRAMEWORK AND COVERINGS



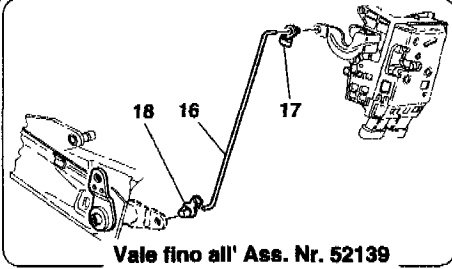
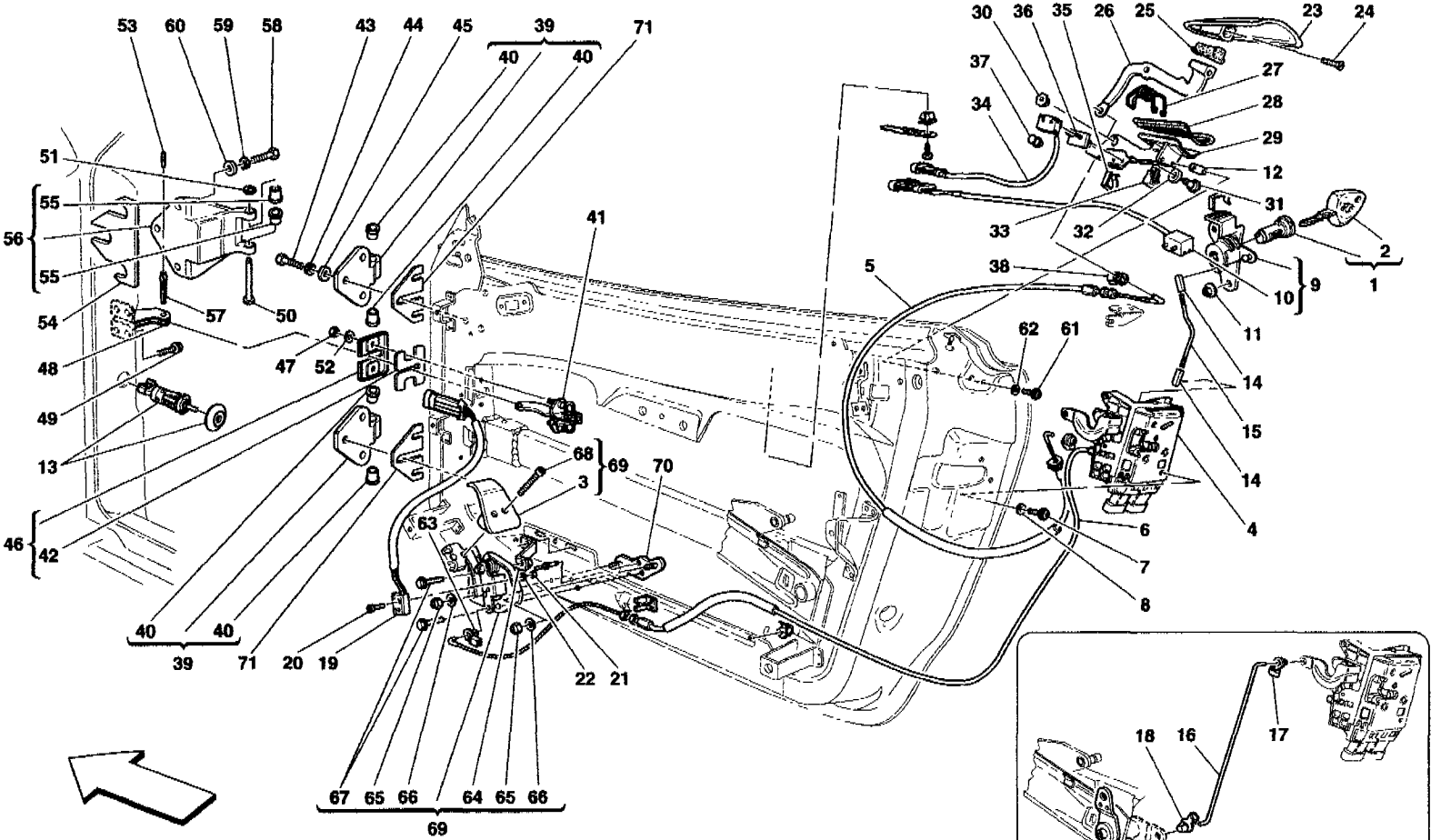
Challenge Stradale - 114 - DOORS - FRAMEWORK AND COVERINGS

1	67660211	1	R.H. DOOR FRAME -Not for USA and CDN-
1	67784111	1	R.H. DOOR FRAME -Valid for USA and CDN-
1	67660311	1	L.H. DOOR FRAME -Not for USA and CDN-
1	67784211	1	L.H. DOOR FRAME -Valid for USA and CDN-
2	65164400	1	R.H. GASKET OUTER GLASS SCRAPER
2	65164500	1	L.H. GASKET OUTER GLASS SCRAPER
3	14042077	2	NUT
4	65544600	1	R.H. GASKET INNER GLASS SCRAPER -Valid for descending glass-
4	67541200	1	R.H. GASKET INNER GLASS SCRAPER -Valid for fixing glass-
4	65544700	1	L.H. GASKET INNER GLASS SCRAPER -Valid for descending glass-
4	67541300	1	L.H. GASKET INNER GLASS SCRAPER -Valid for fixing glass-
5	14591687	4	FIXING BUTTON
6	65013000	1	R.H. STRUCTURAL SHAPE
6	65546200	1	L.H. STRUCTURAL SHAPE
7	16082901	12	SCREW
8	65864100	12	SCREW
9	61529400	12	GASKET
10	184786	2	OPENING DOOR LAMP
11	140576	2	GASKET
12	15901570	4	SCREW
13	61828500	4	FIXING CLIP
14	64855600	2	GASKET
15	62764000	14	RIVET
16	65546400	1	R.H. BRACKET
16	65547800	1	L.H. BRACKET
17	15644075	4	SCREW
18	67538600	1	R.H. COVERED DOOR PANEL -Not for USA and CDN-
18	67787500	1	R.H. COVERED DOOR PANEL -Valid for USA and CDN-
18	67538700	1	L.H. COVERED DOOR PANEL -Not for USA and CDN-
18	67787600	1	L.H. COVERED DOOR PANEL -Valid for USA and CDN-
19	14190190	12	NUT
20	177553	8	CLAMP
21	14201980	4	BLOCK
22	15688170	4	SCREW
23	65705000	1	R.H. PLATE
23	65717800	1	L.H. PLATE
24	65705300	4	CLIP
25	14201980	4	BLOCK
26	14305224	4	SCREW
27	14190190	4	NUT WITH CAGE
28	67531700	2	HANDLE MOULDING
29	67111400	4	RUBBER
30	66212700	1	R.H. WATER PROTECTION CLOTH
30	66212800	1	L.H. WATER PROTECTION CLOTH
31	67761700	1	R.H. GASKET
31	67761800	1	L.H. GASKET
32	67194200	2	SMALL PLATE
33	677592..	1	R.H. FRONT INSERT
33	677593..	1	L.H. FRONT INSERT
34	677594..	1	R.H. REAR CARPET SHIELD

34	677595..	1	L.H. REAR CARPET SHIELD
35	67953900	3	ANTI-VIBRATIONS
36	65643100	1	CUSTOMER PLATE
			-Optional-
37	67954000	2	ANTI-VIBRATIONS
			-Valid for USA and CDN-

For particular colour matchings, make order by Fax or E-mail, specifying serial number. - See "INNER TRIMS CAR CODES" table for codes of parts covered in leather or moquette.

Challenge Stradale - 115 - DOORS - OPENING CONTROL AND HINGES

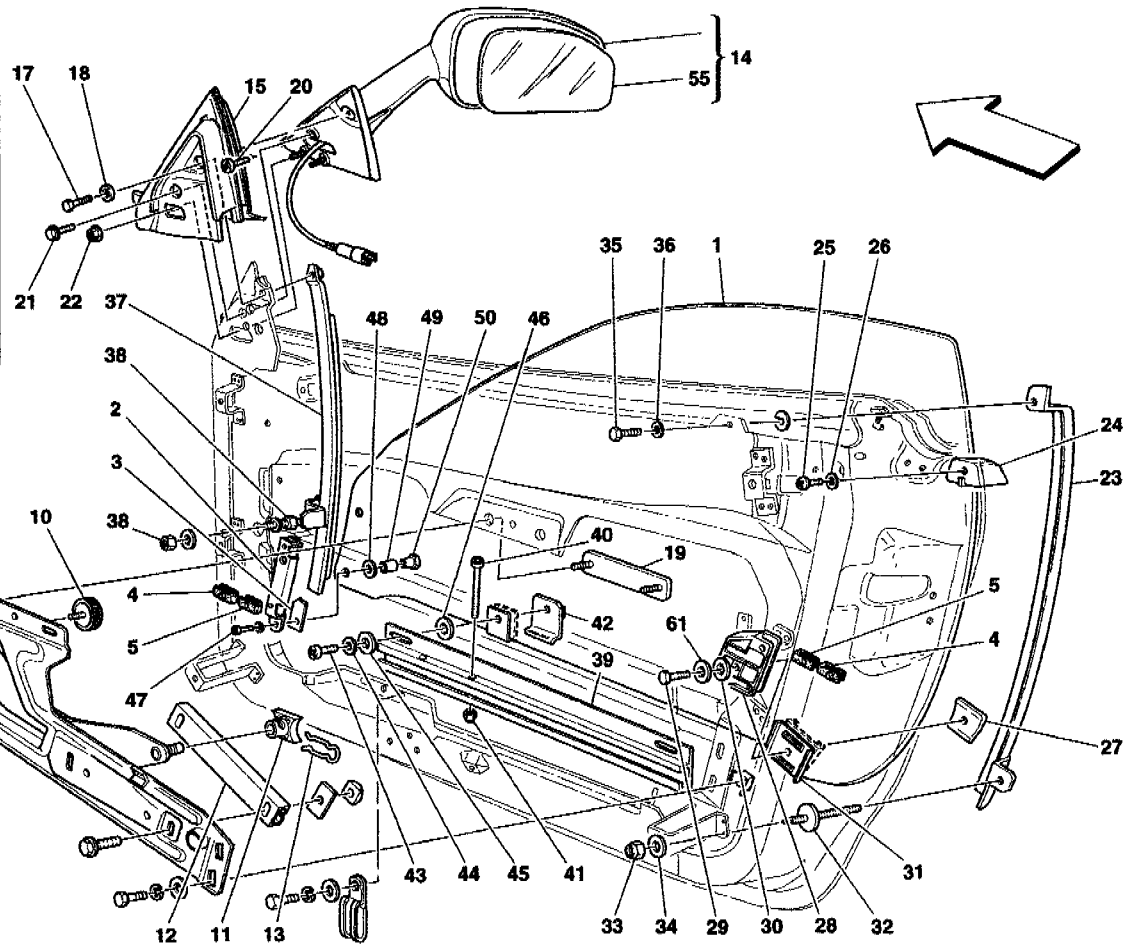
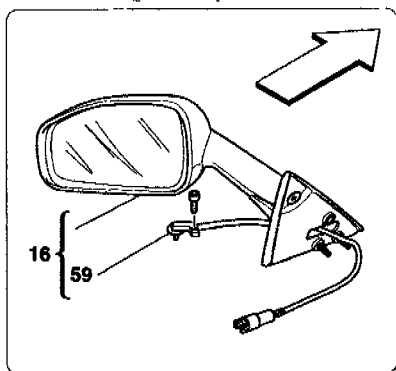


Challenge Stradale - 115 - DOORS - OPENING CONTROL AND HINGES

1	198908	1	LOCKS SET COMPLETED WITH STEERING LOCK AND KEY
2	202204	-	BLANK KEY
3	67648800	1	R.H. INNER HANDLE FOR DOOR OPENING
3	67648900	1	L.H. INNER HANDLE FOR DOOR OPENING
4	65836100	1	R.H. DOOR LOCK
4	65836200	1	L.H. DOOR LOCK
5	65068400	2	DOOR OPENING OUTER CABLE -Not as spare part- -Replaced by 68602600-
5	68602600	2	DOOR OPENING OUTER CABLE
6	65069300	2	DOOR OPENING INNER CABLE
7	62940900	6	SCREW
8	13550277	6	WASHER
9	65839400	1	R.H. DOOR LOCK BLOCK
9	65839500	1	L.H. DOOR LOCK BLOCK
10	63859200	1	R.H. MICRO-SWITCH
10	63859300	1	L.H. MICRO-SWITCH
11	13046011	4	NUT
12	65547500	6	SPACER
13	179697	2	PILLAR SWITCH
14	62794000	4	FLEXIBLE JOINT
15	65836500	2	SAFETY TIE ROD
16	65302000	2	SAFETY TIE ROD -Valid till Ass. Nr.52139-
17	66308300	2	CLIP -Valid till Ass. Nr.52139-
18	14578283	2	CLIP -Valid till Ass. Nr.52139-
19	171120	2	MICRO-SWITCH
20	63992900	4	SCREW
21	63693800	4	NUT
22	63693700	4	WASHER
23	63576010	1	R.H. OUTER DOOR HANDLE
23	63576110	1	L.H. OUTER DOOR HANDLE
24	13309277	2	SCREW
25	64861100	1	R.H. INNER GASKET
25	64861200	1	L.H. INNER GASKET
26	64860600	2	LEVER
27	64860700	2	SPRING FOR HANDLE
28	64860900	1	R.H. HANDLE GASKET
28	64861000	1	L.H. HANDLE GASKET
29	64860410	1	R.H. HANDLE SEAT
29	64860510	1	L.H. HANDLE SEAT
30	65398700	2	BUSHING
31	64860800	2	PIN
32	65520700	4	WASHER
33	65398600	2	GUIDE
34	178187	2	MICRO-SWITCH
35	63179900	2	FIXING CLIP
36	65806300	2	PLATE
37	63853400	2	RUBBER PAD
38	14578180	2	CLIP -Not as spare part- -Replaced by 14578283-
38	14578283	2	CLIP
39	64803300	4	MOBILE HINGE
40	62825300	8	BUSHING
41	65195200	2	TIE ROD
42	63892300	2	GASKET
43	16043934	12	SCREW
44	10571779	12	WASHER
45	14496578	12	WASHER
46	63895200	1	R.H. PLATE
46	63895300	1	L.H. PLATE

47	^ 102741	4	NUT
48	67111800	2	BRACKET
49	18770124	8	SCREW
50	64803400	4	PIN
51	11087974	4	FLEXIBLE RING
52	12644424	4	WASHER
53	14163874	2	FLEXIBLE PIN
54	65713400	4	THICKNESS
55	62825300	8	BUSHING
56	64803200	4	FIXED HINGE
57	66842800	2	PIN
58	16043534	12	SCREW
59	10571779	12	WASHER
60	13550405	12	WASHER
61	169814	2	SCREW
62	166467	2	WASHER
63	65700900	2	FIXING CLIP
64	67743000	1	R.H. BRACKET
64	67743100	1	L.H. BRACKET
65	102741	8	NUT
66	13550221	8	WASHER
67	13027024	8	SCREW
68	67660400	4	SCREW
69	67774500	1	R.H. DOOR OPENING SYSTEM
69	67774600	1	L.H. DOOR OPENING SYSTEM
70	67744000	1	R.H. COUNTER BRACKET
70	67744100	1	L.H. COUNTER BRACKET
71	65998600	4	THICKNESS

Challenge Stradale - 116 - DOORS - POWER WINDOW AND REARVIEW MIRROR

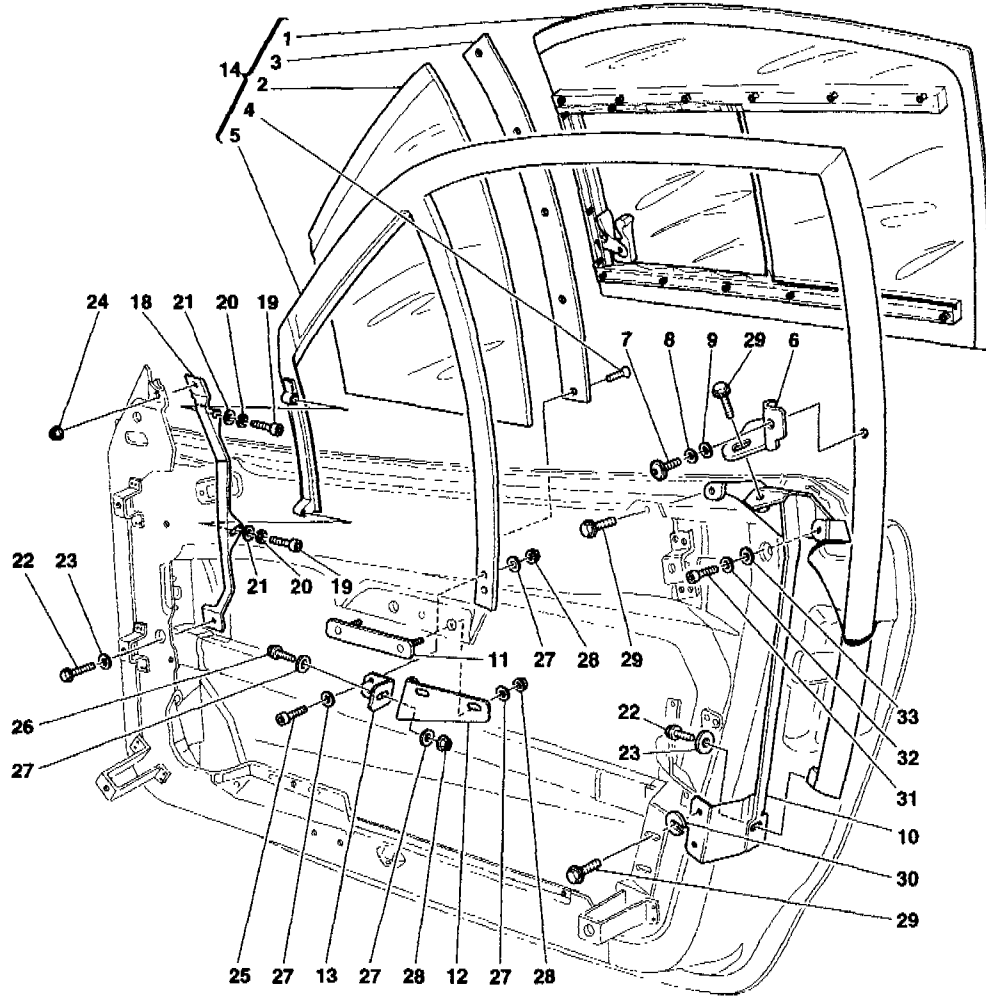
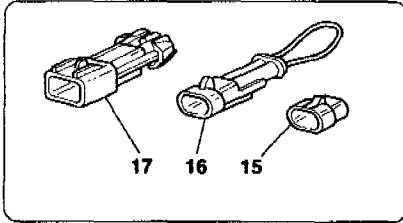


Challenge Stradale - 116 - DOORS - POWER WINDOW AND REARVIEW MIRROR

1	65949200	1	R.H. DOOR GLASS
1	65949300	1	L.H. DOOR GLASS
2	63768100	1	R.H. GUIDE SHOE
2	63768200	1	L.H. GUIDE SHOE
3	63486900	2	GASKET
4	63767900	8	CLIP
5	63890100	8	GASKET
6	67658800	1	COMPLETE R.H. DEVICE FOR GLASS LIFT
6	67658900	1	COMPLETE L.H. DEVICE FOR GLASS LIFT
7	65826900	2	HELICOIDAL SPRING
8	65819600	1	R.H. GLASS LIFTING MOTOR
8	65819700	1	L.H. GLASS LIFTING MOTOR
9	15917904	8	SCREW
10	65827200	2	STOP BUFFER
11	64081100	6	SMALL BLOCK
12	65816700	2	GUIDE
13	64081200	6	CLIP
14	67538300	1	COMPLETE R.H. OUTER REAR VIEW MIRROR
14	67779900	1	-Not for USA, CDN and GD- COMPLETE R.H. OUTER REAR VIEW MIRROR
14	67836800	1	-Valid for USA and CDN- COMPLETE R.H. OUTER REAR VIEW MIRROR
14	68169600	1	-Valid for GB- COMPLETE R.H. OUTER REAR VIEW MIRROR
15	65226000	1	-Valid for AUS- R.H. OUTER MIRROR
15	65226100	1	GASKET L.H. OUTER MIRROR
16	67538200	1	GASKET COMPLETE L.H. OUTER REAR VIEW MIRROR
16	67836700	1	-Not for GD- COMPLETE L.H. OUTER REAR VIEW MIRROR
16	68169700	1	-Valid for GD- COMPLETE L.H. OUTER REAR VIEW MIRROR
17	10902224	2	-Valid for USA and CDN- SCREW
18	12643778	2	WASHER
19	66075200	2	BRACKET
20	65713200	2	SCREW
21	65366700	2	SCREW
22	13831801	4	NUT
23	65062100	1	R.H. REAR GLASS GUIDE
23	65062200	1	L.H. REAR GLASS GUIDE
24	65310700	1	R.H. SMALL BLOCK
24	65310800	1	L.H. SMALL BLOCK
25	13274014	2	SCREW
26	12638124	2	WASHER
27	65997500	1	R.H. PLATE
27	65997700	1	L.H. PLATE
28	63853600	1	R.H. MOVING GUIDE
28	63853700	1	L.H. MOVING GUIDE
29	10903024	2	SCREW
30	12644424	2	WASHER
31	63168800	2	PRELOADING REGULATOR
32	64854600	2	ADJUSTMENT PIN
33	102741	2	NUT
34	12643778	2	WASHER
35	13836721	2	SCREW
36	12643724	2	WASHER

37	65061900	1	R.H. FRONT GLASS GUIDE
37	65062000	1	L.H. FRONT GLASS GUIDE
38	14039714	4	NUT
39	65828200	1	R.H. SLIDING GUIDE
39	65828300	1	L.H. SLIDING GUIDE
40	14303724	4	SCREW
41	62790300	4	NUT
42	65807300	4	PLATE GASKET
43	14305424	4	SCREW
44	12601279	4	WASHER
45	12643724	4	WASHER
46	12647624	4	WASHER
47	13297377	4	SCREW
48	62798000	4	WASHER
49	62932800	4	SPACER
50	62932900	4	BUSHING
51	168617	2	MICRO-SWITCH
52	15643975	4	SCREW
			-Not as spare part-
			-Replaced by 15687975-
52	15687975	4	SCREW
53	65907400	1	R.H. MOBILE BRACKET
53	65907500	1	L.H. MOBILE BRACKET
54	14084011	4	NUT
55	67954300	1	R.H. OUTER REAR VIEW MIRROR GLASS
			-Not for USA and CDN-
55	67954600	1	R.H. OUTER REAR VIEW MIRROR GLASS
			-Valid for USA and CDN-
55	67954500	1	L.H. OUTER REAR VIEW MIRROR GLASS
			-Not for USA and CDN-
55	67954400	1	L.H. OUTER REAR VIEW MIRROR GLASS
			-Valid for USA and CDN-
56	10418601	2	BRACKET
57	102741	2	NUT
58	12644424	2	WASHER
59	65889400	1	OUTSIDE TEMPERATURE FEELER
60	13579224	2	WASHER
61	127494	2	WASHER

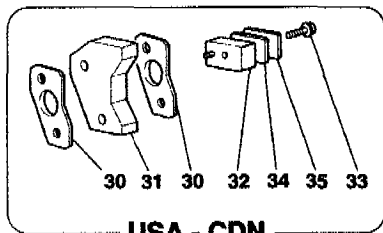
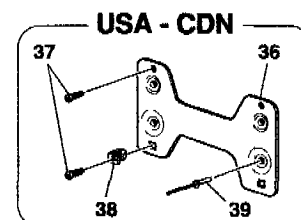
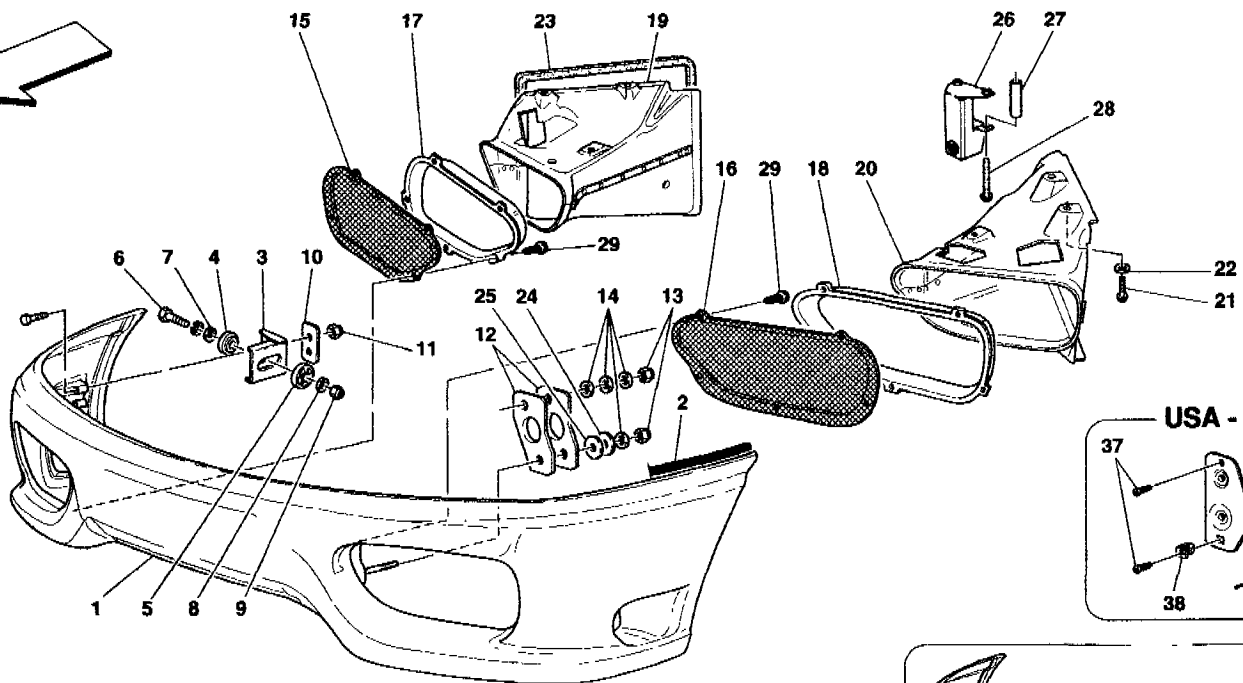
Challenge Stradale - 117 - FIXING GLASS -OPTIONAL-



Challenge Stradale - 117 - FIXING GLASS -OPTIONAL-

1	67541000	1	R.H. LEXAN -Not as spare part- -Arrived with the complete 67539500 ref. 14-
1	67541100	1	L.H. LEXAN -Not as spare part- -Arrived with the complete 67539700 ref. 14-
2	67540800	1	R.H. GLASS -Not as spare part- -Arrived with the complete 67539500 ref. 14-
2	67540900	1	L.H. GLASS -Not as spare part- -Arrived with the complete 67539700 ref. 14-
3	67540600	1	R.H. AESTHETICS PLATE
3	67540700	1	L.H. AESTHETICS PLATE
4	67890700	8	SCREW
5	67890500	1	FRAME FOR R.H. DOOR
5	67890600	1	FRAME FOR L.H. DOOR
6	67831800	1	R.H. UPPER BRACKET
6	67831900	1	L.H. UPPER BRACKET
7	65366700	2	SCREW
8	12601177	2	WASHER
9	14446624	2	WASHER
10	67540200	1	R.H. REAR BRACKET
10	67540300	1	L.H. REAR BRACKET
11	66075200	2	BRACKET
12	67539800	1	R.H. PILLAR BRACKET
12	67539900	1	L.H. PILLAR BRACKET
13	67541500	1	R.H. FRONT BRACKET
13	67541600	1	L.H. FRONT BRACKET
14	67539500	1	COMPLETE FRAME FOR R.H. DOOR
14	67539700	1	COMPLETE FRAME FOR L.H. DOOR
15	175876	2	PROTECTION FOR CONNECTOR
16	209439	2	STAPLE FOR DOORS LOCKING
17	199125	2	PROTECTION FOR CONNECTOR
18	67540000	1	R.H. FRONT FRAME BRACKET
18	67540100	1	L.H. FRONT FRAME BRACKET
19	13027024	4	SCREW
20	12601274	4	WASHER
21	10519424	4	WASHER
22	13836324	4	SCREW
23	12640624	4	WASHER
24	13832101	2	NUT
25	14305424	4	SCREW
26	13836324	2	SCREW
27	12643724	16	WASHER
28	102948	10	NUT
29	13836324	8	SCREW
30	105864	8	WASHER
31	13274014	2	SCREW
32	12601174	2	WASHER
33	12638124	2	WASHER

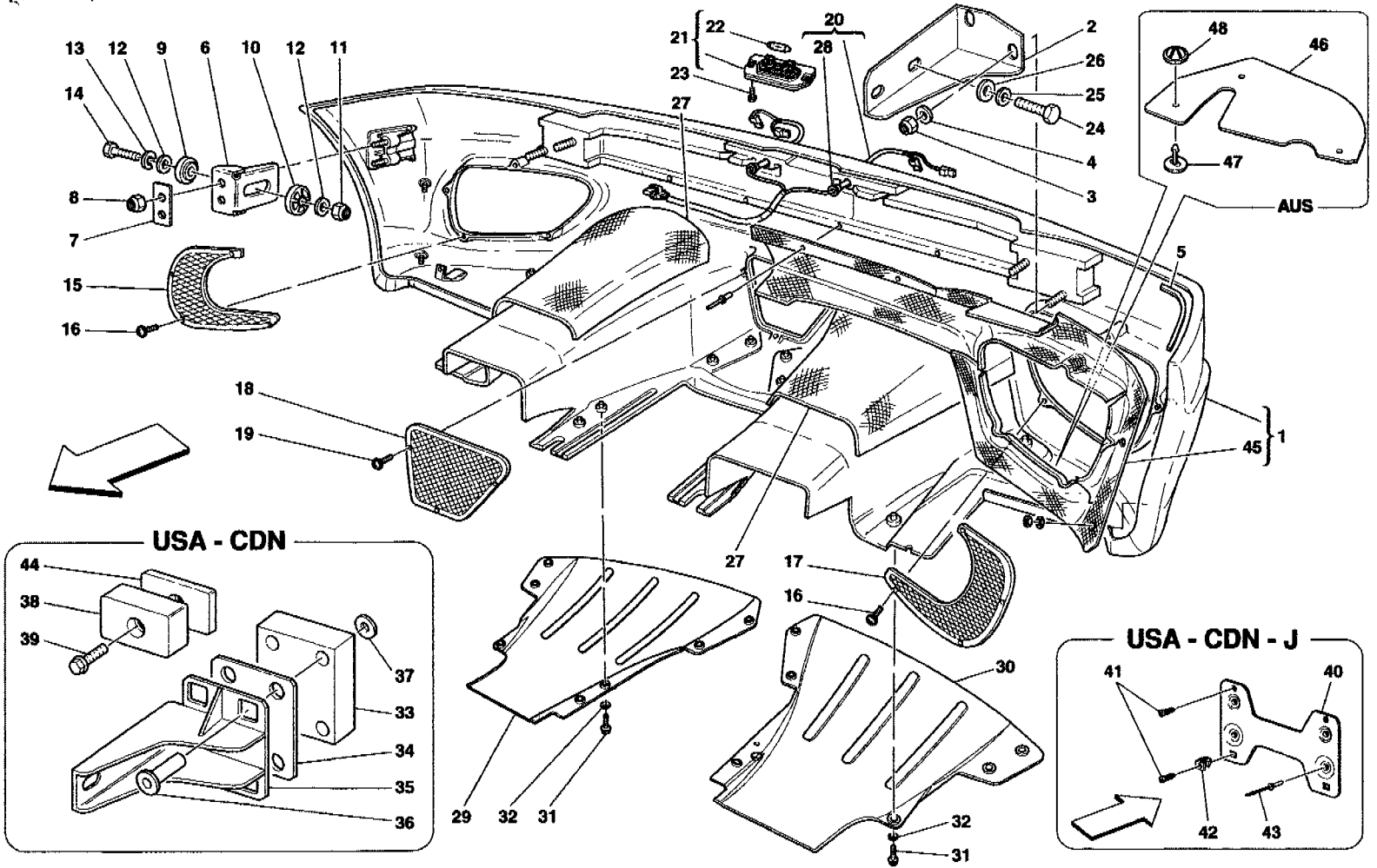
Challenge Stradale - 118 - FRONT BUMPER



Challenge Stradale - 118 - FRONT BUMPER

1	67360610	1	FRONT BUMPER -Without lightwashers- -Not for USA and CDN-
1	67788510	1	FRONT BUMPER -Without lightwashers- -Valid for USA and CDN-
1	67499510	1	FRONT BUMPER -With lightwashers- -Not for USA and CDN-
1	67788710	1	FRONT BUMPER -With lightwashers- -Valid for USA and CDN-
2	65856500	1	RUBBER PROFILE
3	62973000	2	BUMPER LATERAL FIXING BRACKET
4	62128200	2	EXTERNAL SMALL BLOCK
5	62128300	2	INTERNAL SMALL BLOCK
6	11307021	2	SCREW
7	12646801	4	WASHER
8	127497	2	WASHER
9	104114	2	NUT
10	62126600	2	PLATE
11	104030	4	NUT
12	65311700	4	SPACER PLATE -Not for USA and CDN-
13	104114	4	NUT
14	12646801	8	WASHER
15	63330200	1	R.H. FRONT BUMPER GRILL
16	63330300	1	L.H. FRONT BUMPER GRILL
17	66307300	1	R.H. FRAME
18	66307400	1	L.H. FRAME
19	65870800	1	R.H. AIR INLET
20	65870900	1	L.H. AIR INLET
21	64686900	8	SCREW
22	12644424	8	WASHER
23	65973200	1	R.H. REAR GASKET
24	65998400	2	WASHER
25	65921200	-	SPACER -Possible fitting-
26	65311800	1	TOW HOOK BRACKET
27	65802300	2	SPACER
28	16297824	2	SCREW
29	16084304	10	SCREW
30	65892600	4	SPACER PLATE -Valid for USA and CDN-
30	65899600	4	SPACER PLATE -Possible fitting- -Valid for USA and CDN-
31	64875500	2	PAD -Valid for USA and CDN-
32	65537700	2	SIDE PAD -Valid for USA and CDN-
33	16287224	2	SCREW -Valid for USA and CDN-
34	65537800	2	SPACER FOR WICK -Valid for USA and CDN-
35	65899500	2	SPACER FOR WICK -Valid for USA and CDN- -Possible fitting-
36	65886300	1	FRONT PLATE FRAME -Valid for USA and CDN-
37	16084370	4	SCREW -Valid for USA and CDN-
38	14201980	2	BLOCK -Valid for USA and CDN-
39	14295696	4	RIVET -Valid for USA and CDN-

Challenge Stradale - 119 - REAR BUMPER

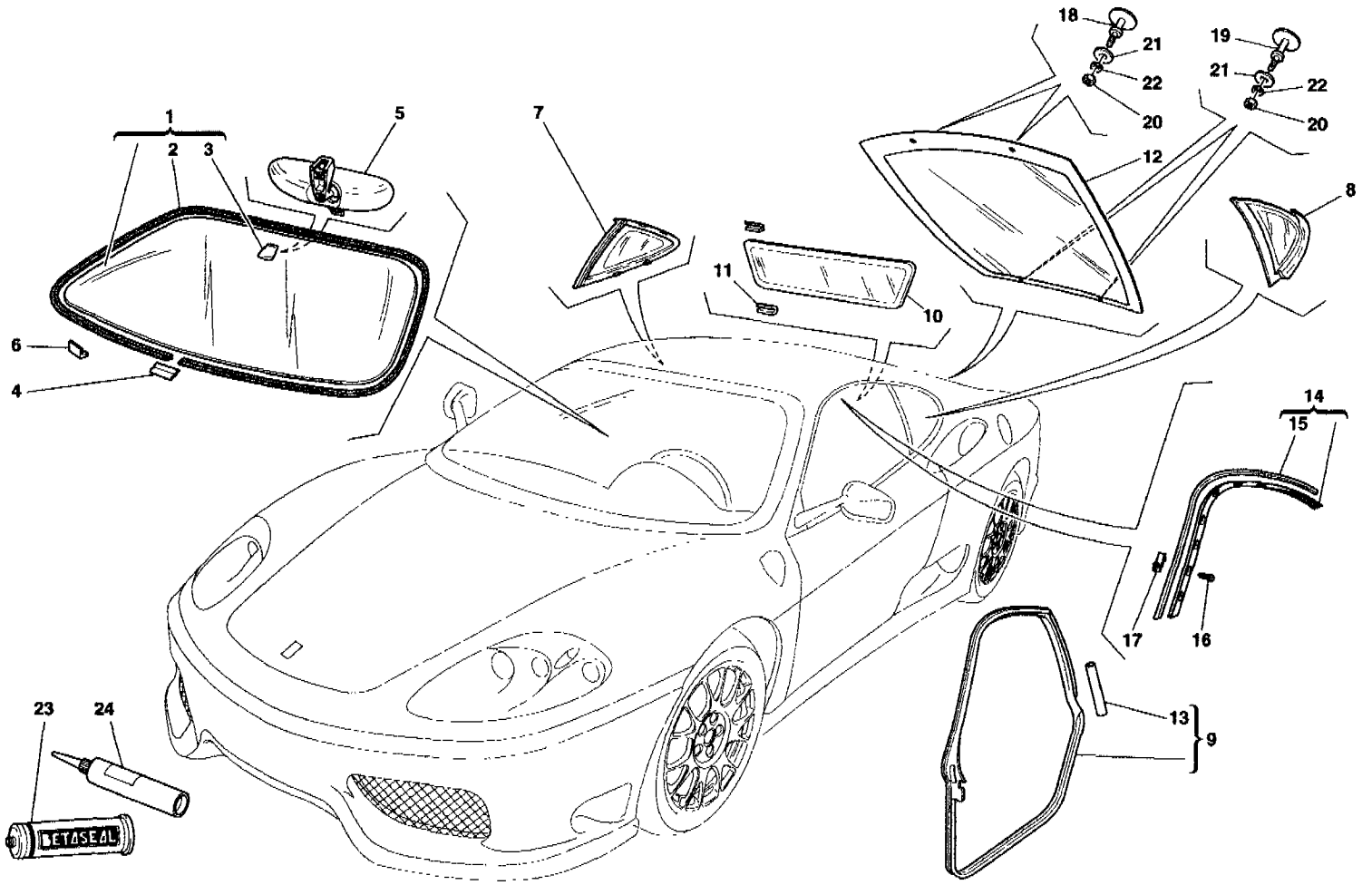


Challenge Stradale - 119 - REAR BUMPER

1	67360810	1	COMPLETE REAR BUMPER -Not for USA and CDN-
1	67779510	1	COMPLETE REAR BUMPER -Valid for USA and CDN-
2	65306600	1	L.H. CENTRAL BRACKET -Not for USA and CDN-
2	65306500	1	R.H. CENTRAL BRACKET -Not for USA and CDN-
3	104114	4	NUT
4	12646801	8	WASHER
5	65856200	2	RUBBER PROFILE
6	62973000	2	SIDE BRACKET
7	62126600	2	PLATE
8	104030	4	NUT
9	62128200	2	EXTERNAL SMALL BLOCK
10	62128300	2	INTERNAL SMALL BLOCK
11	104114	2	NUT
12	12646801	4	WASHER
13	127497	2	WASHER
14	11307021	2	SCREW
15	67416300	1	R.H. GRILL
16	16084201	8	SCREW
17	67416400	1	L.H. GRILL
18	67416200	1	CENTER GRILLE
19	16084201	3	SCREW
20	182985	1	CABLES FOR NUMBER PLATE LIGHTS
21	186180	2	NUMBER PLATE LIGHT
22	10857790	2	BULB
23	15644175	4	SCREW
24	15540421	4	SCREW
25	11190779	4	WASHER
26	12646901	4	WASHER
27	65942000	2	INSULATION
28	10399280	2	CABLE GROMMET
29	67361400	1	R.H. EXTRACTOR
30	67361500	1	L.H. EXTRACTOR
31	65377400	14	SCREW
32	12644478	14	WASHER
33	63214100	2	ABSORPTION PAD -Valid for USA and CDN-
34	63738800	2	PLATE -Valid for USA and CDN-
35	65155200	2	CENTRAL BRACKET -Valid for USA and CDN-
36	65372900	8	BUSHING -Valid for USA and CDN-
37	13550405	8	WASHER -Valid for USA and CDN-
38	65537700	2	ABSORPTION PAD -Valid for USA and CDN-
39	16287224	2	SCREW -Valid for USA and CDN-
40	65886300	1	REAR PLATE FRAME -Valid for USA and CDN-
40	65887600	1	REAR PLATE FRAME -Valid for J-
41	16084370	4	SCREW -Valid for USA and CDN-
42	14201980	2	BLOCK -Valid for USA and CDN-
43	14295696	4	RIVET -Valid for USA and CDN-
43	14296191	4	RIVET -Valid for J-
44	65537800	2	SPACER FOR WICK -Valid for USA and CDN-
45	67973300	1	R.H. HEAT SHIELD

45	67973400	1	-Not for USA and CDN- HEAT SHIELD R.H.
45	67973500	1	-Valid for USA and CDN- L.H. HEAT SHIELD
45	67973600	1	-Not for USA and CDN- HEAT SHIELD L.H.
46	68456900	1	-Valid for USA and CDN- R.H. INSULATION FOR REAR BUMPER
46	68457000	1	-Valid from Nr.53911 for AUS- L.H. INSULATION FOR REAR BUMPER
47	68484300	6	-Valid from Nr.53911 for AUS- BUTTON
48	68484400	6	-Valid from Nr.53911 for AUS- FIXING CLIP

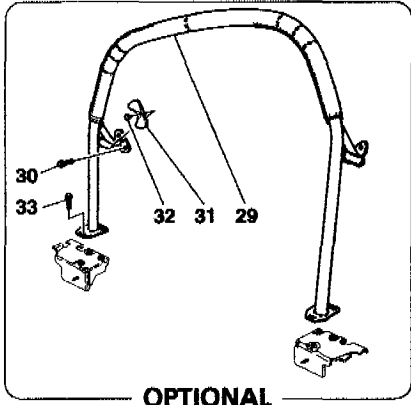
Challenge Stradale - 120 - GLASSES AND GASKETS



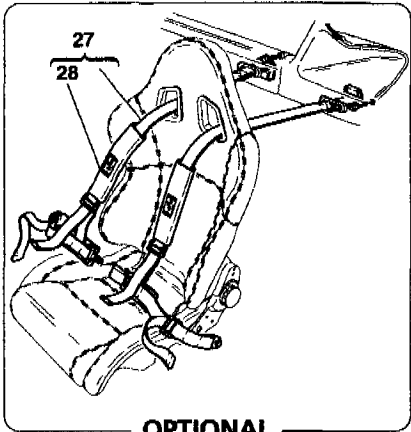
Challenge Stradale - 120 - GLASSES AND GASKETS

1	67422900	1	COMPLETE WINDSCREEN GLASS
2	65305700	1	OUTER GASKET
3	65695500	1	BAR
4	65625100	1	JOINT COVERING
5	65547300	1	INNER REAR VIEW MIRROR
6	65808700	6	COMPLETE SPACER
7	64018900	1	R.H. REAR SIDE GLASS -With gaskets-
8	64019000	1	L.H. REAR SIDE GLASS -With gaskets-
9	66396400	1	COMPLETE L.H. GASKET
9	66396300	1	COMPLETE R.H. GASKET
10	67404200	1	REAR-WINDOW GLASS
11	63023300	6	SPACER
12	67404300	1	GLASS FOR REAR HOOD BONNET
13	66390200	2	STUFFER FOR DOOR GASKET
14	65525300	1	COMPLETE L.H. MOULDING
14	65525200	1	COMPLETE R.H. MOULDING
15	65164600	2	GASKET
16	16083501	26	SCREW
17	64569500	26	FIXING CLIP
18	67509600	2	SCREW
19	67737100	2	SCREW
20	15896214	4	NUT
21	14498804	4	WASHER
22	12604274	4	WASHER
23	63597000	1	WINDSHIELD ADHESIVE
24	66091400	1	SEALING

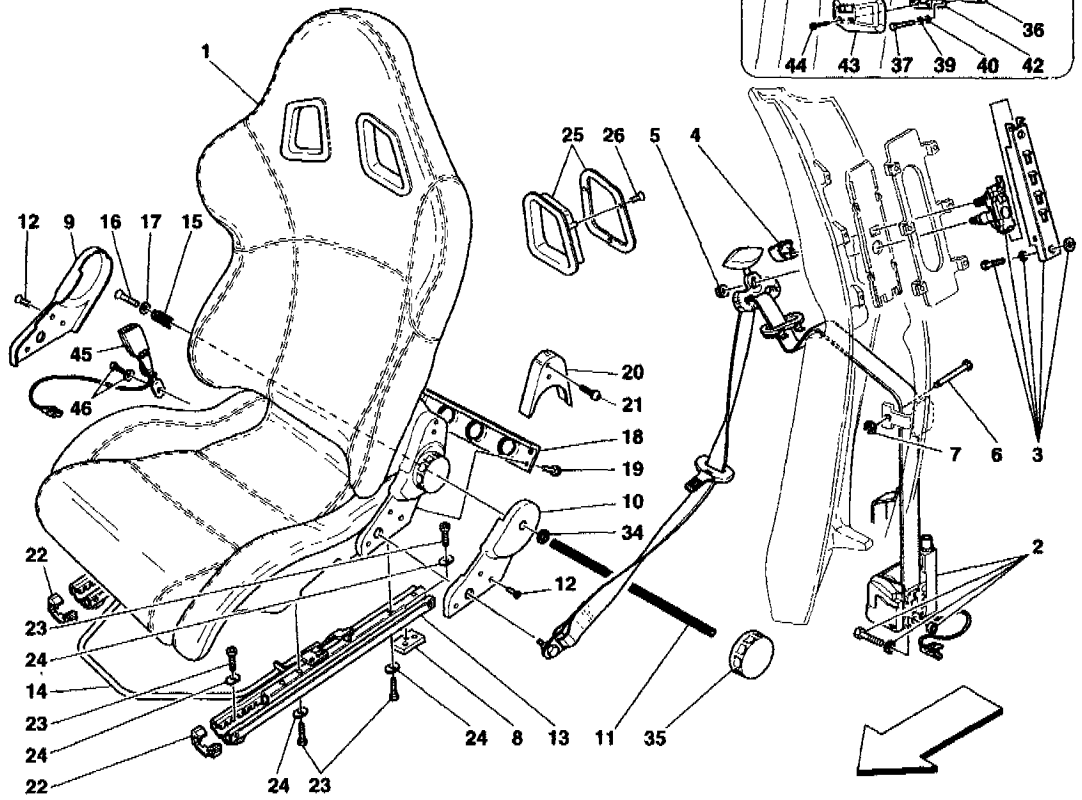
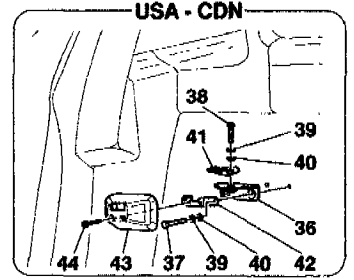
Challenge Stradale - 121 - RACING SEAT-SAFETY BELTS-ROLL BAR



OPTIONAL



OPTIONAL



Challenge Stradale - 121 - RACING SEAT-SAFETY BELTS-ROLL BAR

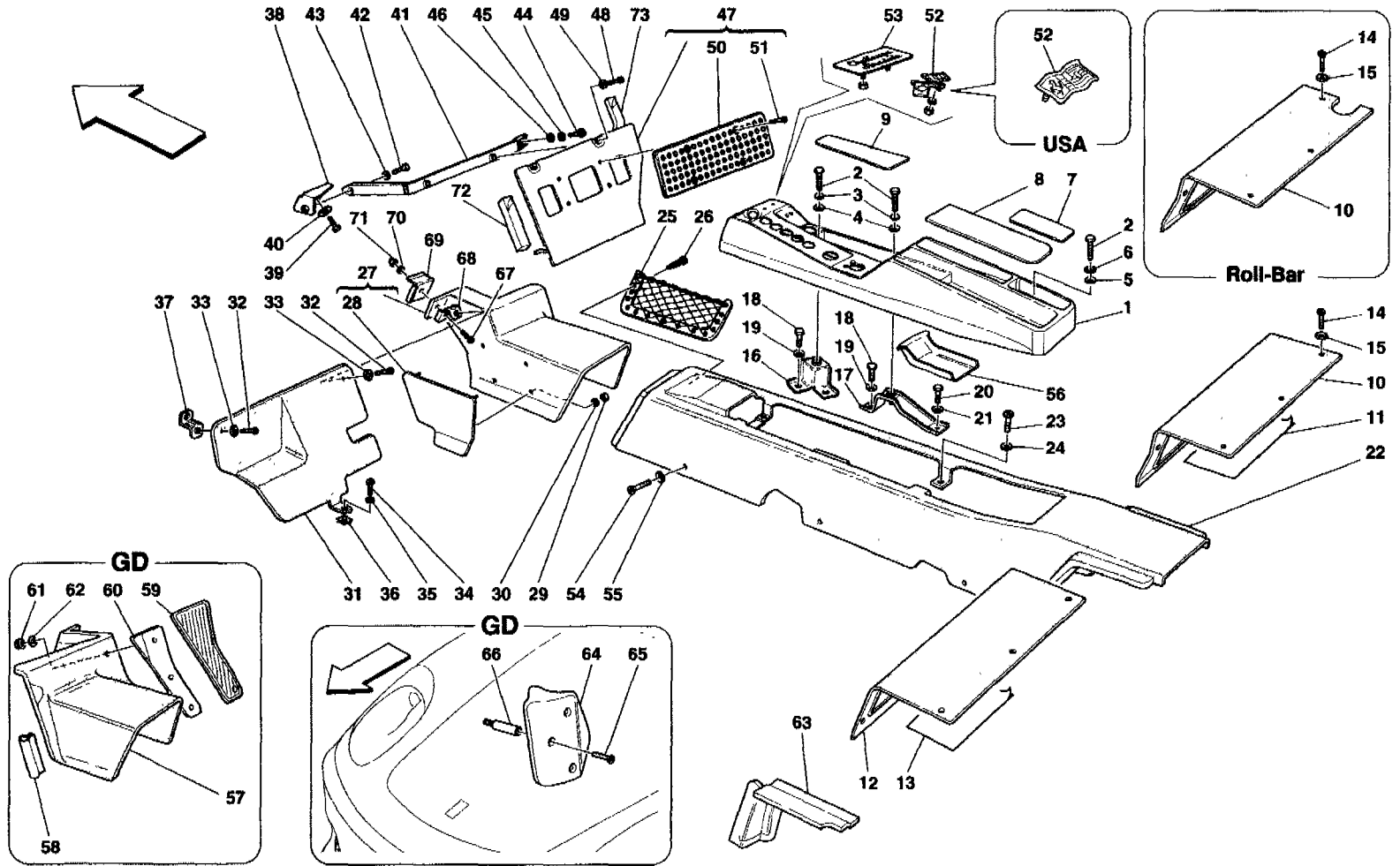
1	674618..	1	L.H. MEDIUM SPORT SEAT -Cloth-
1	677386..	1	L.H. MEDIUM SPORT SEAT -Leather-
1	674619..	1	L.H. SMALL SPORT SEAT -Cloth-
1	677387..	1	L.H. SMALL SPORT SEAT -Leather-
1	674620..	1	L.H. LARGE SPORT SEAT -Cloth-
1	677388..	1	L.H. LARGE SPORT SEAT -Leather-
1	674615..	1	R.H. MEDIUM SPORT SEAT -Cloth-
1	677787..	1	-Not for USA and CDN- R.H. MEDIUM SPORT SEAT -Cloth-
1	677383..	1	-Valid for USA and CDN- R.H. MEDIUM SPORT SEAT -Leather-
1	677788..	1	-Not for USA and CDN- R.H. MEDIUM SPORT SEAT -Leather-
1	674616..	1	-Valid for USA and CDN- R.H. SMALL SPORT SEAT -Cloth-
1	677789..	1	-Not for USA and CDN- R.H. SMALL SPORT SEAT -Cloth-
1	677384..	1	-Valid for USA and CDN- R.H. SMALL SPORT SEAT -Leather-
1	677790..	1	-Not for USA and CDN- R.H. SMALL SPORT SEAT -Leather-
1	674617..	1	-Valid for USA and CDN- R.H. LARGE SPORT SEAT -Cloth-
1	677791..	1	-Not for USA and CDN- R.H. LARGE SPORT SEAT -Cloth-
1	677385..	1	-Valid for USA and CDN- R.H. LARGE SPORT SEAT -Leather-
1	677792..	1	-Not for USA and CDN- R.H. LARGE SPORT SEAT -Leather-
2	65408300	1	-Valid for USA and CDN- COMPLETE L.H. SAFETY BELTS
2	65802500	1	-Not for USA and CDN- COMPLETE L.H. SAFETY BELTS
2	65408200	1	-Valid for USA and CDN- COMPLETE R.H. SAFETY BELTS
2	65802400	1	-Not for USA and CDN- COMPLETE R.H. SAFETY BELTS
3	65408600	2	-Valid for USA and CDN- SAFETY BELTS HEIGHT REGULATOR
4	65408800	2	KNOB
5	65408700	2	NUT
6	64858500	2	PIN FOR BRACKET
7	11087776	2	FLEXIBLE RING
8	166168	4	SMALL PLATE
9	67957800	1	R.H. DRIVER SIDE SEAT REGULATOR

9'	67957600	1	COVER R.H.PASSENGER SIDE SEAT REGULATOR
10	67957900	1	COVER L.H. DRIVER SIDE SEAT REGULATOR
10	67957700	1	COVER L.H. PASSENGER SIDE SEAT REGULATOR COVER
11	66463400	2	CONNECTION ROD
12	67342700	12	SCREW
13	68728200	2	COMPLETE L.H. SEAT GUIDE
13	68728100	2	COMPLETE R.H. SEAT GUIDE
14	67606100	2	SEAT RELEASE LEVER
15	66464000	2	SPRING
16	67342500	2	SCREW
17	66464100	2	WASHER
18	66462900	2	CROSS MEMBER
19	67342600	8	SCREW
20	67196100	2	L.H. CARBON REGULATOR COVER
20	67196000	2	R.H. CARBON REGULATOR COVER
21	66462600	8	SCREW
22	67606400	4	PLUG
23	67347600	12	SCREW
24	65806500	12	ELASTIC PLATE
25	67297800	2	L.H. PLATE
25	67297700	2	R.H. PLATE
26	67342700	12	SCREW
27	66140801	1	COMPLETE L.H. 4 POINT SAFETY BELTS -RED- -Not for USA, CDN, AUS and J-
27	66140800	1	COMPLETE L.H. 4 POINT SAFETY BELTS -BLACK- Not for USA, CDN, AUS and J-
27	66140802	1	COMPLETE L.H. 4 POINT SAFETY BELTS -BLEU- -Not for USA, CDN, AUS and J-
27	66140701	1	COMPLETE R.H. 4 POINT SAFETY BELTS -RED- -Not for USA, CDN, AUS and J-
27	66140700	1	COMPLETE R.H. 4 POINT SAFETY BELTS -BLACK- -Not for USA, CDN, AUS and J-
27	66140702	1	COMPLETE R.H. 4 POINT SAFETY BELTS -BLEU- -Not for USA, CDN, AUS and J-
28	65876000	1	BELT PADDING SET -BLACK- -Valid for 4 points safety belts- -Not for USA, CDN, AUS and J-
28	65987400	1	BELT PADDING SET -RED- -Valid for 4 points safety belts- -Not for USA, CDN, AUS and J-
28	65992700	1	BELT PADDING SET -BLUE- -Valid for 4 points safety belts- -Not for USA, CDN, AUS and J-
29	67636000	1	COMPLETE ROLL-BAR -Metal effect- -Not for USA, CDN and AUS
29	679726..	1	COMPLETE ROLL-BAR -Not for USA, CDN and AUS
30	16287124	4	SCREW -Not for USA, CDN and AUS
31	676592..	2	COMPLETE COVER -Not for USA, CDN and AUS
32	64460500	2	SCREW -Not for USA, CDN and AUS
33	14306321	6	SCREW

34	66463300	2	-Not for USA, CDN and AUS WASHER
35	67196200	2	CARBON KNOB
36	66150500	1	BRACKET FOR BELT -Valid for USA and CDN-
37	16043934	2	SCREW -Valid for USA and CDN-
38	16043436	1	SCREW -Valid for USA and CDN-
39	14496527	3	WASHER -Valid for USA and CDN-
40	12601374	3	WASHER -Valid for USA and CDN-
41	66154400	1	BRACKET FOR BELT COUPLER -Valid for USA and CDN-
42	66157300	1	BRACKET FOR COVER FIXING -Valid for USA and CDN-
43	66153800	1	COVER -Valid for USA and CDN-
44	168133	2	SCREW -Valid for USA and CDN-
45	65924600	1	PILOT SIDE BUCKLE BRANCH
45	65629100	1	PASSENGER SIDE BUCKLE BRANCH
46	68636200	2	SCREW

For particular colour matchings, make order by Fax or E-m@il, specifying serial number. - See "INNER TRIMS CAR CODES" table for codes of parts covered in leather or moquette.

Challenge Stradale - 122 - TUNNEL - FRAMEWORK AND ACCESSORIES



Challenge Stradale - 122 - TUNNEL - FRAMEWORK AND ACCESSORIES

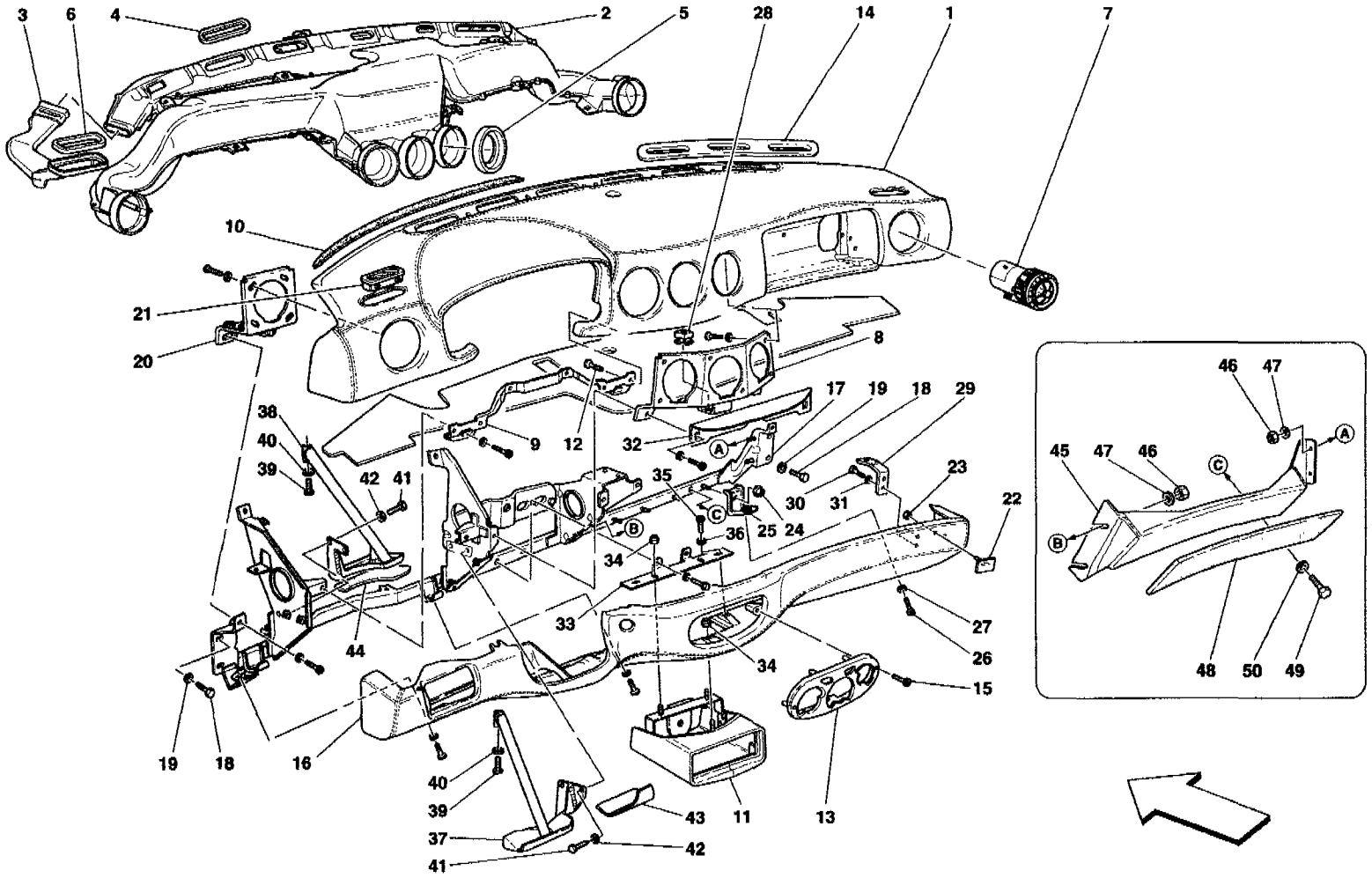
1	67493100	1	CENTRAL UPPER TUNNEL COVER -Valid for descending glass- -Not for GD-
1	67804900	1	CENTRAL UPPER TUNNEL COVER -Valid for descending glass- -Valid for GD-
1	67757000	1	CENTRAL UPPER TUNNEL COVER -Valid for fixing glass- -Not for GD-
1	67836600	1	CENTRAL UPPER TUNNEL COVER -Valid for fixing glass- -Valid for GD-
2	16043424	3	SCREW
3	12604474	2	WASHER
4	14496524	2	WASHER
5	13550301	1	WASHER
6	127496	1	WASHER
7	679175..	1	R.H. REAR DRAWER CARPET SHIELD
8	676861..	1	REAR DRAWER CARPET SHIELD
9	676860..	1	FRONT DRAWER CARPET SHIELD -Not for GD-
9	678364..	1	FRONT DRAWER CARPET SHIELD -Valid for GD-
10	674926..	1	R.H. COVER FOR CONTROL UNIT -Valid for Roll-Bar cars- -Not for USA, CDN and AUS-
10	677395..	1	R.H. COVER FOR CONTROL UNIT -Not for Roll-Bar cars-
11	168850	1	R.H. RELAYS AND FUSES NAMEPLATE -Not for USA and CDN-
11	182708	1	R.H. RELAYS AND FUSES NAMEPLATE -Valid for USA and CDN-
12	674927..	1	L.H. COVER FOR CONTROL UNIT -Valid for Roll-Bar cars- -Not for USA, CDN and AUS-
12	677396..	1	L.H. COVER FOR CONTROL UNIT -Not for Roll-Bar cars- -Not for USA and CDN-
12	677783..	1	L.H. COVER FOR CONTROL UNIT -Not for Roll-Bar cars- -Valid for USA and CDN-
13	186646	1	L.H. RELAYS AND FUSES NAMEPLATE
14	13301770	10	SCREW -For clear carpets-
14	13313477	10	SCREW -For dark carpets-
15	12611442	10	WASHER -For clear carpets-
15	12611407	10	WASHER -For dark carpets-
16	67638200	1	FRONT BRACKET
17	67638400	1	REAR BRACKET
18	16043421	3	SCREW
19	14496524	3	WASHER
20	10902421	1	SCREW
21	12644424	1	WASHER
22	674627..	1	REAR SIDE TUNNEL COVER -Not for GD-
22	678337..	1	REAR SIDE TUNNEL COVER -Valid for GD-
23	13276470	4	SCREW
24	12644424	4	WASHER
25	67774200	1	NET POCKET -Not for GD-

25	67967500	1	NET POCKET -Valid for GD-
26	168133	2	SCREW
27	674626..	1	FRONT SIDE TUNNEL COVER -Not for GD-
28	65305300	1	ACCELERATOR PEDAL PROTECTION -Not for GD-
29	10794014	4	NUT -Not for GD-
30	12642801	4	WASHER -Not for GD-
31	67494500	1	UNDER PEDAL COVER -Not for GD-
31	65712600	1	UNDER PEDAL COVER -Valid for GD-
32	13311077	2	SCREW
33	12611107	2	WASHER
34	13311077	1	SCREW
35	12611107	1	WASHER
36	14370971	1	BRACKET
37	65709300	1	L.H. UPPER BRACKET
38	65523500	1	BRACKET -Not for GD-
38	65538800	1	BRACKET -Valid for GD-
39	10902324	1	SCREW
40	12640624	1	WASHER
41	65522900	1	SUPPORT PIPE -Not for GD-
41	65538700	1	SUPPORT PIPE -Valid for GD-
42	10902324	1	SCREW
43	12640624	1	WASHER
44	10902324	1	SCREW
45	12601274	1	WASHER
46	12644424	1	WASHER
47	67494400	1	COMPLETE FOOT-REST FOR PASSENGER -Not for GD-
47	67832100	1	COMPLETE FOOT-REST FOR PASSENGER -Valid for GD-
48	13276211	2	SCREW
49	12601274	2	WASHER
50	66122200	1	COVER
51	65847800	4	SCREW
52	64460400	1	FERRARI-PININFARINA MARK
52	68401600	1	"50 YEARS USA" MARK -Valid for USA MY 2004-
53	67753700	1	"CHALLENGE STRADALE" PLATE
54	13299877	6	SCREW
55	12611107	6	WASHER
56	67917600	1	SHIELD
57	678347..	1	FRONT SIDE TUNNEL COVER -Valid for GD-
58	67681200	1	GASKET -L.=140mm- -Valid for GD-
59	65918000	1	SLAB FOR DRIVER SIDE FOOT REST PLATE -Valid for GD-
60	65917200	1	FOOT-REST FOR DRIVER -Valid for GD-
61	14059111	3	NUT -Valid for GD-
62	14447001	3	WASHER -Valid for GD-
63	679503..	1	R.H. SIDE SHIELD
63	679504..	1	L.H. SIDE SHIELD
64	67963200	1	ACCELERATOR PEDAL PROTECTION -Valid for GD-

65	13301470	3	SCREW -Valid for GD-
66	68025100	1	PIN -Valid for GD- -Not as spare part- -Replaced by 182363-
66	182363	1	STUD -Valid for GD-
67	13274177	1	SCREW
68	65709200	1	BRACKET
69	68078700	1	SPACER -Not for GD-
70	12637878	1	WASHER
71	113647	1	NUT
72	68161200	1	ANTI-VIBRATIONS
73	68161300	1	ANTI-VIBRATIONS

For particular colour matchings, make order by Fax or E-m@il, specifying serial number. - See "INNER TRIMS CAR CODES" table for codes of parts covered in leather or moquette.

Challenge Stradale - 123 - DASHBOARD



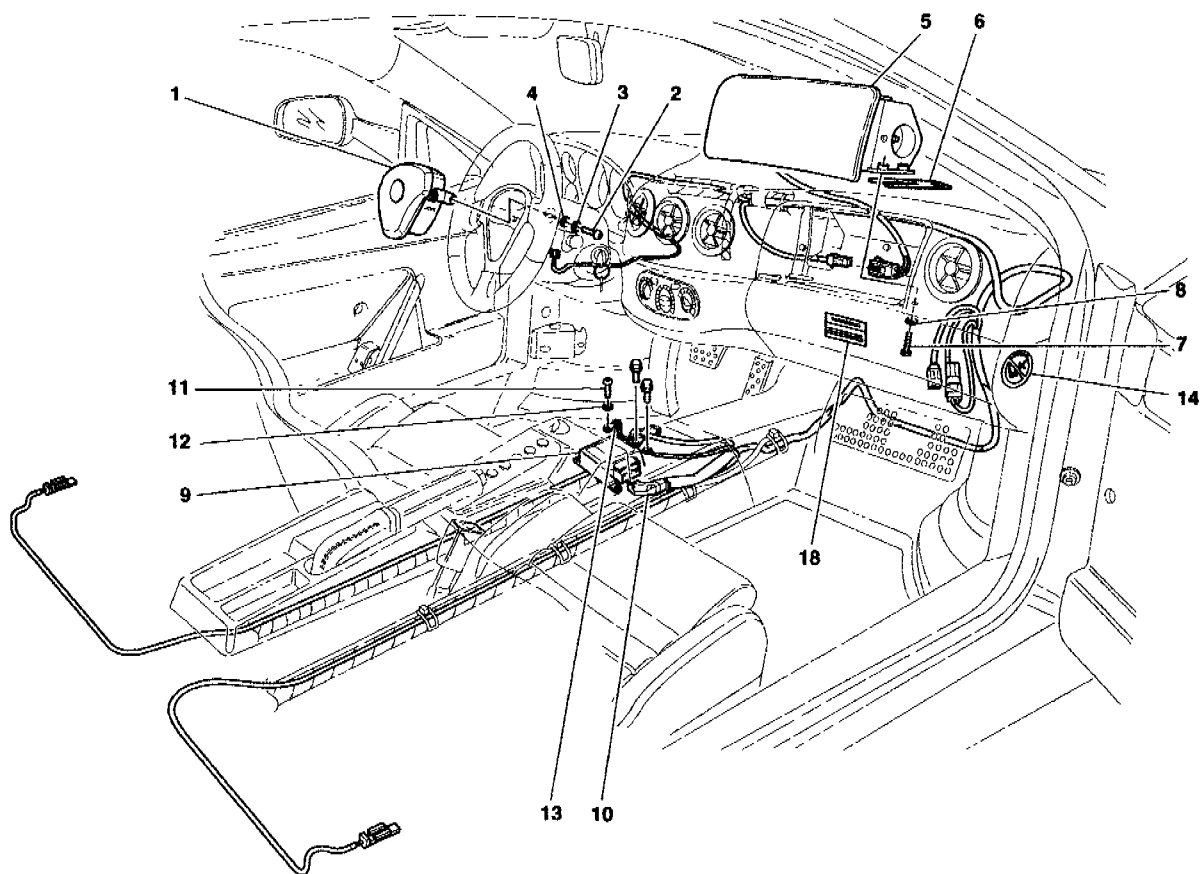
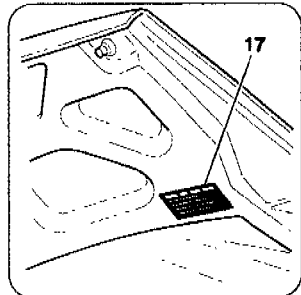
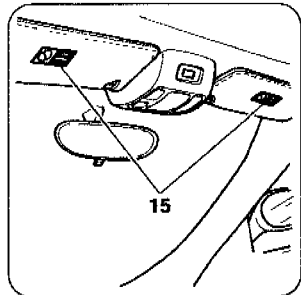
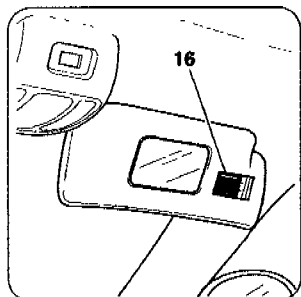
Challenge Stradale - 123 - DASHBOARD

1	675432..	1	UPPER SIDE UPHOLSTERED DASHBOARD -Not for GD-
1	678091..	1	UPPER SIDE UPHOLSTERED DASHBOARD -Valid for GD-
2	63352900	1	AIR DUCTING -Not for GD-
2	65536200	1	AIR DUCTING -Valid for GD-
3	65132400	1	L.H. SIDE DUCTING
3	65132300	1	R.H. SIDE DUCTING
4	66050600	6	GASKET
5	63353300	5	AIR OPENING GASKET
6	65132500	2	GASKET
7	67382400	5	AIR DIFFUSER
8	67748000	1	PLATE FOR CENTRAL AIR DIFFUSER
9	65018600	1	BRACKET
10	65938300	1	FRONT GASKET
11	677900..	1	COMPLETE BOX RADIO -Optional- -Lorica version-
11	677901..	1	COMPLETE BOX RADIO -Optional- - Leather version-
12	13273977	4	SCREW
13	67419500	1	COMPLETE CENTRAL FRAME
14	65018300	1	L.H. AIR OUTLET PLATE -Not for GD-
14	65891000	1	L.H. AIR OUTLET PLATE -Valid for GD-
14	65018200	1	R.H. AIR OUTLET PLATE -Not for GD-
14	65891100	1	R.H. AIR OUTLET PLATE -Valid for GD-
15	67679900	2	SCREW
16	674196..	1	COVERED LOWER DASHBOARD -Not for GD-
16	678304..	1	COVERED LOWER DASHBOARD -Valid for GD-
16	677339..	1	COVERED LOWER DASHBOARD -Optional- -Box radio version- -Not for GD-
16	678314..	1	COVERED LOWER DASHBOARD -Optional- -Box radio version- -Valid for GD-
17	65130400	1	COMPLETE DASHBOARD FRAME ASSEMBLY -Not for GD-
17	65530800	1	COMPLETE DASHBOARD FRAME ASSEMBLY -Valid for GD-
18	16132624	4	SCREW
19	11193274	4	WASHER
20	67747300	1	R.H. DIFFUSER FASTENING PLATE -Not for GD-
20	65533600	1	R.H. DIFFUSER FASTENING PLATE -Valid for GD-
20	65132700	1	L.H. DIFFUSER FASTENING PLATE -Not for GD-
20	68099600	1	L.H. DIFFUSER FASTENING PLATE -Valid for GD-
21	65132800	1	R.H. DEFROSTING OUTLET PLATE
21	65132900	1	L.H. DEFROSTING OUTLET PLATE
22	67730610	1	"CAMPIONI DEL MONDO 2002" MARK

22	68124210	1	"CAMPIONI DEL MONDO 2003" MARK
23	16101711	2	NUT
24	13046114	2	NUT
25	67758200	2	FIXING BRACKET
26	13274377	2	SCREW
27	12638177	2	WASHER
28	60659100	1	NUT WITH CAGE
29	67753300	1	BRACKET
30	10977524	2	SCREW
31	12637824	2	WASHER
32	67953000	1	LOWER BRACKET
33	67789800	1	BOX RADIO SUPPORTING BRACKET
34	13046111	3	-Optional- NUT
35	10902024	2	-Optional- SCREW
36	14496424	2	-Optional- WASHER
37	68030600	1	-Optional- PILOT SIDE R.H. KNEE PROTECT
38	68030700	1	-Valid for USA and CDN- PILOT SIDE L.H. KNEE PROTECT
39	10903221	2	-Valid for USA and CDN- SCREW
40	13550221	2	-Valid for USA and CDN- WASHER
41	10977521	4	-Valid for USA and CDN- SCREW
42	14446921	4	-Valid for USA and CDN- WASHER
43	68095600	1	-Valid for USA and CDN- R.H. PADDING
44	68095700	1	-Valid for USA and CDN- L.H. PADDING
45	68030500	1	-Valid for USA and CDN- PASSENGER SIDE KNEE PROTECT
46	15896224	4	-Valid for USA and CDN- NUT
47	14499324	4	-Valid for USA and CDN- WASHER
48	68095800	1	-Valid for USA and CDN- PADDING
49	10902024	1	-Valid for USA and CDN- SCREW
50	14499324	1	-Valid for USA and CDN- WASHER

For particular colour matchings, make order by Fax or E-m@il, specifying serial number. - See "INNER TRIMS CAR CODES" table for codes of parts covered in leather or moquette.

Challenge Stradale - 124 - AIR-BAGS

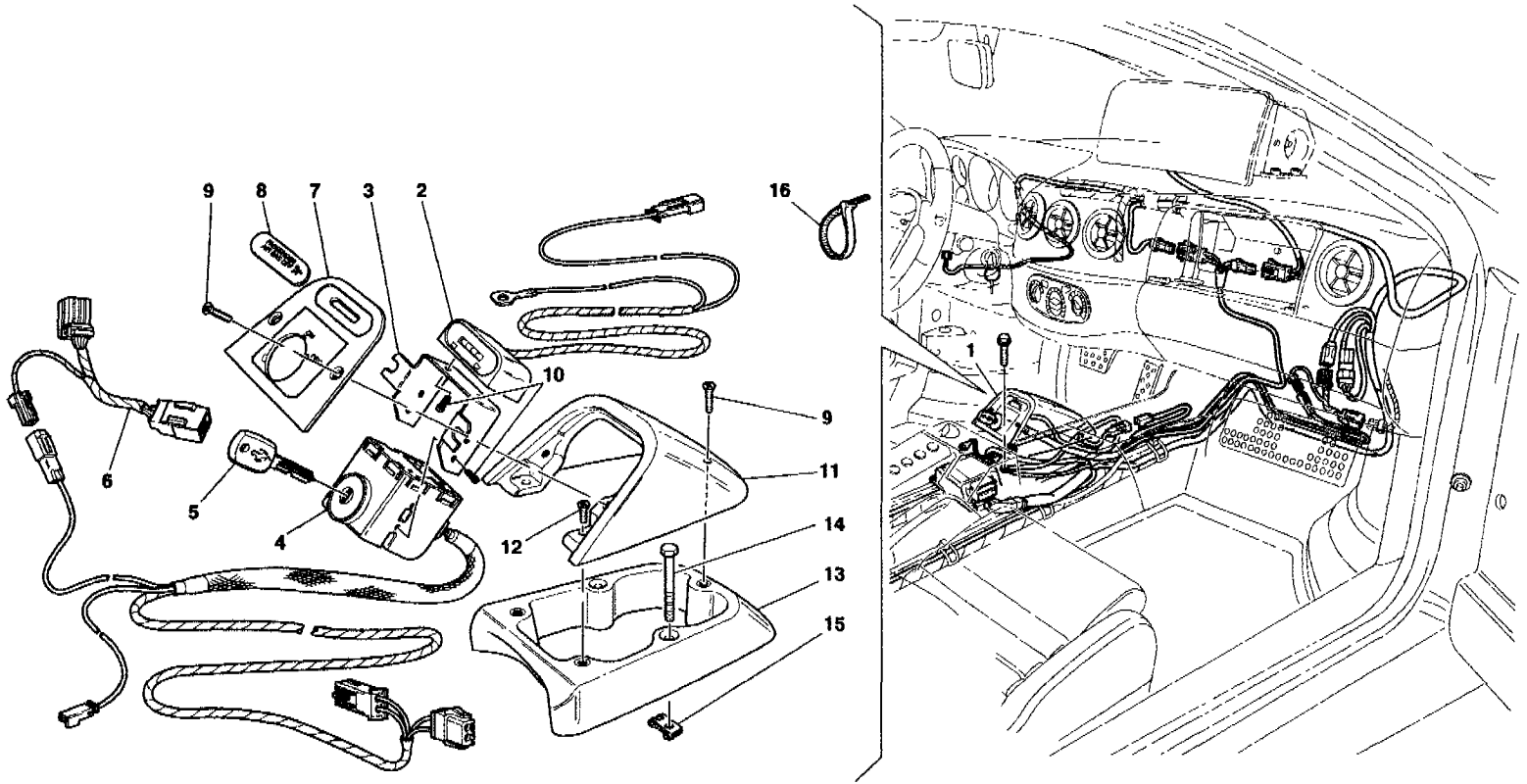


Challenge Stradale - 124 - AIR-BAGS

1	662040..	1	DRIVER SIDE AIR-BAG
2	64882800	2	SCREW
3	127494	2	WASHER
4	14499324	2	WASHER
5	676400..	1	PASSENGER SIDE AIR-BAG -Not for GD-
5	677989..	1	PASSENGER SIDE AIR-BAG -Valid for GD-
6	65133000	4	SPACER
7	16132721	4	SCREW
8	12640624	1	WASHER
9	179793	1	AIR-BAG CONTROL UNIT
10	201888	1	CABLES FOR AR-BAG CONNECTION -Not for GD-
10	201889	1	CABLES FOR AR-BAG CONNECTION -Valid for GD-
11	64830600	3	SCREW
12	12605374	3	WASHER
13	160855	1	GROUND CABLE
14	65142000	1	AIR BAG/CHILDREN SEAT INCOMPATIBILITY PLATE
15	64764500	2	AIR-BAG SYSTEM USE PLATE -Not for USA, CDN and AUS-
15	65423800	2	AIR-BAG SYSTEM USE PLATE -Valid for USA, AUS-
15	64541500	2	AIR-BAG SYSTEM USE PLATE -Valid for CDN-
16	65910700	1	AIR BAG MAINTENANCE PLATE -Not for USA, CDN and AUS-
16	64499400	1	AIR BAG MAINTENANCE PLATE -Valid for USA, AUS-
16	64541700	1	AIR BAG MAINTENANCE PLATE -Valid for CDN-
17	12856780	1	AIR-BAG PLATE
18	65424000	1	AIR-BAG SYSTEM PRESENCE PLATE -Valid for USA, CDN and AUS-

For particular colour matchings, make order by Fax or E-m@il, specifying serial number. - See "INNER TRIMS CAR CODES" table for codes of parts covered in leather or moquette.

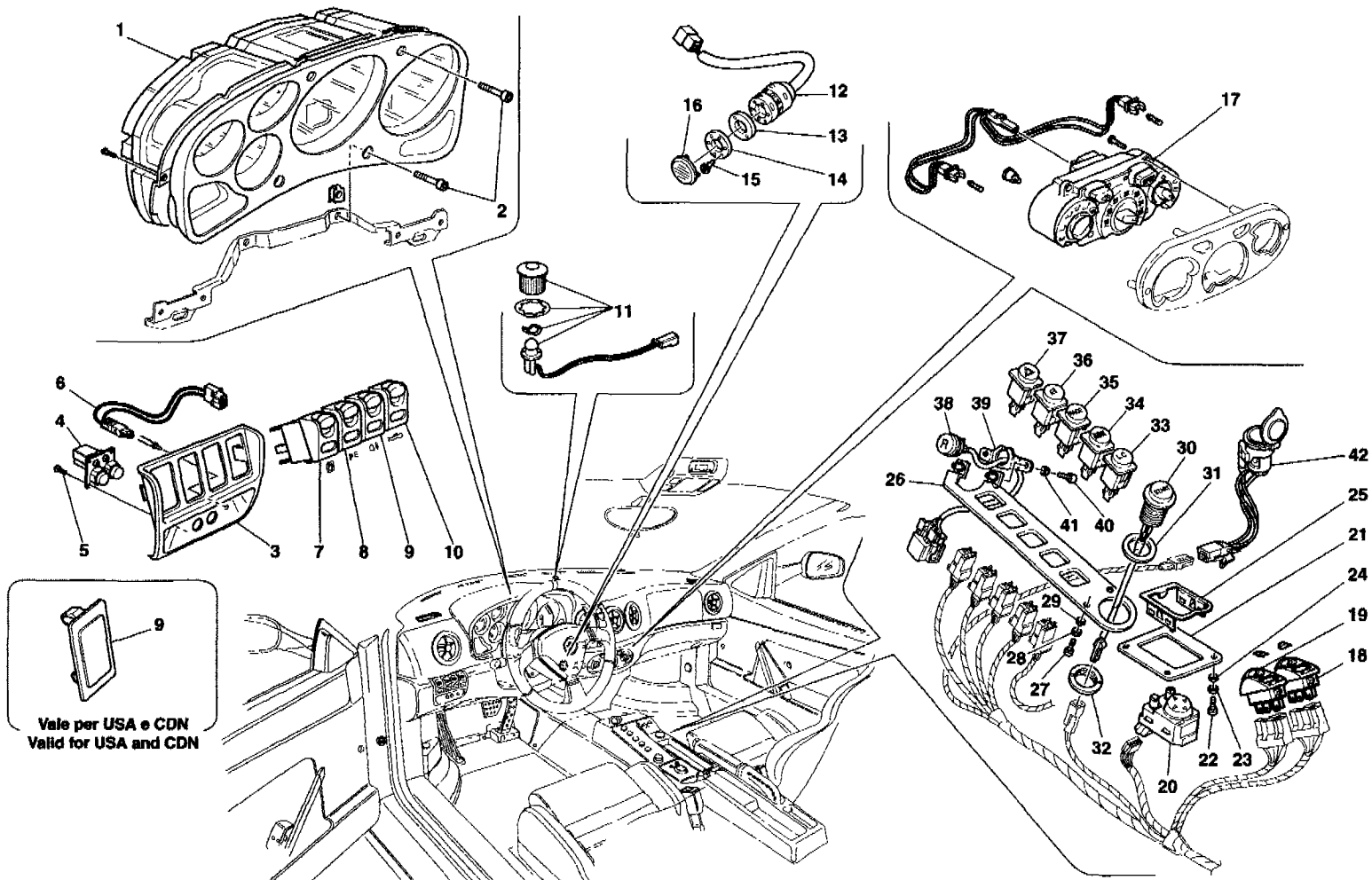
Challenge Stradale - 125 - PASSENGER AIR-BAG EXCLUSION KIT



Challenge Stradale - 125 - PASSENGER AIR-BAG EXCLUSION KIT

1	65808000	1	COMPLETE PASSENGER AIR-BAG EXCLUSION KIT
2	183494	1	PASSENGER AIR-BAG EXCLUSION WARNING LIGHT
3	183544	1	WARNING LIGHT SUPPORTING BRACKET
4	200855	1	SWITCH FOR DESACTIVATION PASSENGER AIR-BAG
5	183498	2	KEY
6	200854	1	LINK CABLE
7	183518	1	PLATE FOR CONSOLE
8	183495	1	TRANSPARENT COVER
9	159357	3	SCREW
10	15901375	6	SCREW
11	183520	1	CENTRAL CONSOLE
12	13310917	2	SCREW
13	66584900	1	NEUTRAL SHOE FOR CONSOLE
14	10903621	2	SCREW
15	62766300	2	CLIP FOR SCREW
16	182511	1	CLAMP

Challenge Stradale - 126 - DASHBOARD INSTRUMENTS

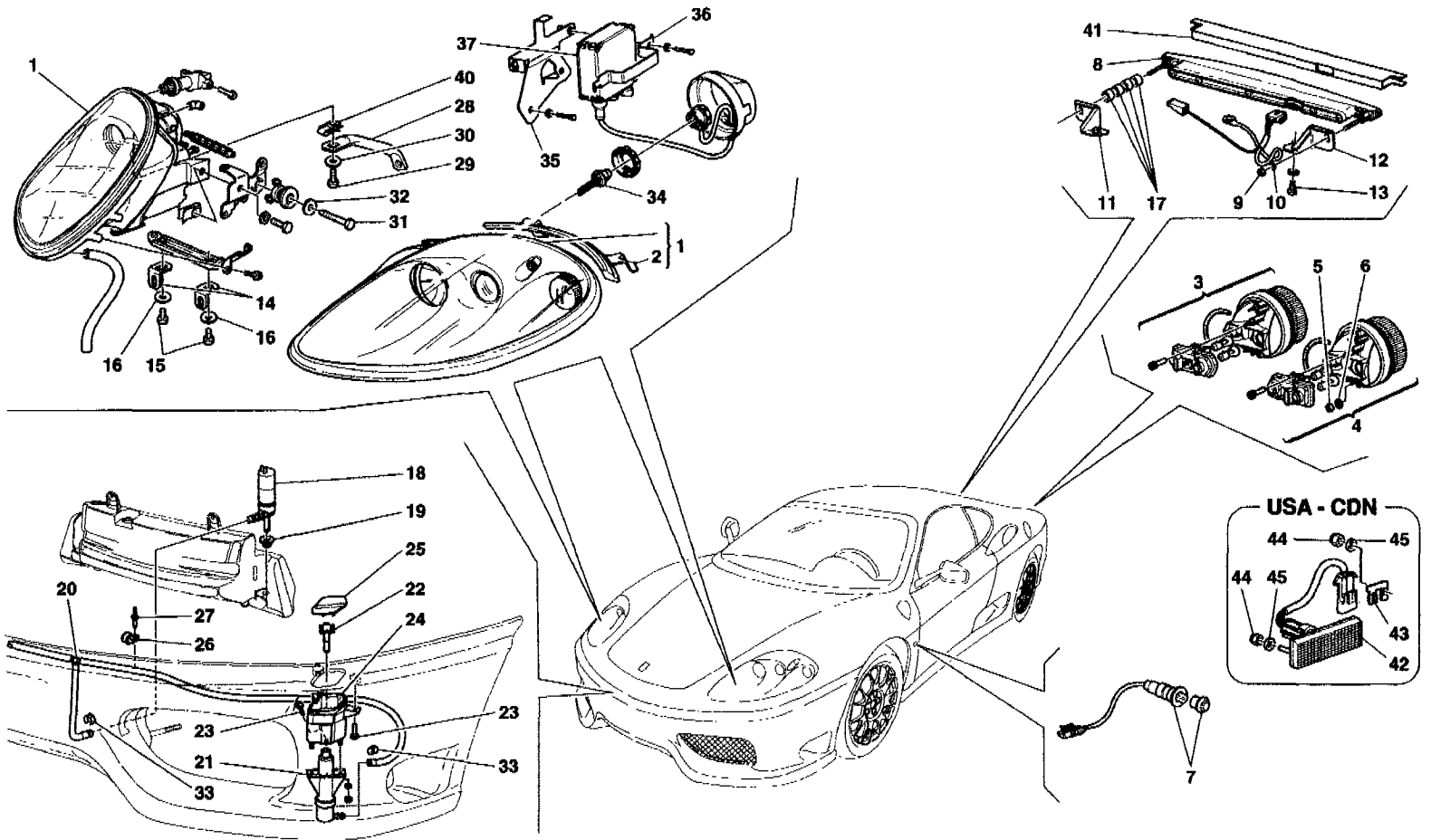


Challenge Stradale - 126 - DASHBOARD INSTRUMENTS

1	196702	1	COMPLETE INSTRUMENT BOARD -Not for USA and GB-
1	200471	1	COMPLETE INSTRUMENT BOARD -Valid for USA-
1	200472	1	-Not for car with metrical system- COMPLETE INSTRUMENT BOARD -Valid for GB- -Not for car with metrical system-
2	60815200	4	SCREW
3	65077200	1	SWITCH HOLDER PLATE
4	177902	1	PUSH-BUTTONS FOR INSTRUMENTS FUNCTIONS CONTROL
5	15641175	4	SCREW -Not as spare part- -Replaced by 15901475-
5	15901475	4	SCREW
6	167064	1	ANTI-THEFT WARNING LED
7	180731	1	FUEL DOOR OPENING PUSH-BUTTON
8	182932	1	SWITCH FOR PARKING LIGHT
9	180733	1	REAR FOG LIGHT CONTROL SWITCH -Not for USA and CDN-
9	67084500	1	PLUG -Valid for USA and CDN-
10	180730	1	FRONT PUSH BUTTON
11	64692400	1	SENSOR
12	63934200	1	INNER COMPARTMENT TEMPERATURE SENSOR
13	63994700	1	WASHER CASING SENSOR
14	63994600	1	WASHER
15	15915977	2	SCREW
16	63994500	1	SENSOR COVERING GRILL
17	65520500	1	A.C. CONTROL SET -With degrees ° C-
17	65803000	1	A.C. CONTROL SET -With degrees ° F-
18	182898	1	R.H. SWITCH FOR GLASS LIFT -Valid for descending glass-
19	182899	1	L.H. SWITCH FOR GLASS LIFT -Valid for descending glass-
20	191046	1	SWITCH FOR OUTER REARVIEW MIRRORS CONTROL
21	67638100	1	PLATE
22	14418924	4	SCREW
23	12601074	4	WASHER
24	13506624	4	WASHER
25	67354100	1	FIXING CLIP
26	67638000	1	FRONT PLATE -Not for GD-
26	67836200	1	FRONT PLATE -Valid for GD-
27	14418924	4	SCREW
28	12601074	4	WASHER
29	13506624	4	WASHER
30	190352	1	PUSH BUTTON
31	67681800	1	SPACER
32	194353	1	RING NUT
33	197009	1	LAUNCH CONTROL SWITCH
34	197010	1	ASR EXCLUSION CONTROL SWITCH
35	197011	1	RACE SWITCH
36	197013	1	LOCK/UNLOCK DOORS SWITCH
37	157477	1	EMERGENCY LIGHTS SWITCH -Valid till stock exhaustion-
37	208845	1	EMERGENCY LIGHTS SWITCH
38	197012	1	REAR GEAR LIGHT CONTROL SWITCH
39	67786500	1	BRACKET

39	67836300	1	-Not for GD- BRACKET
40	14303021	2	-Valid for GD- SCREW
41	14497701	2	WASHER
42	197158	1	12 VOLT SOCKET

Challenge Stradale - 127 - FRONT AND REAR LIGHTS



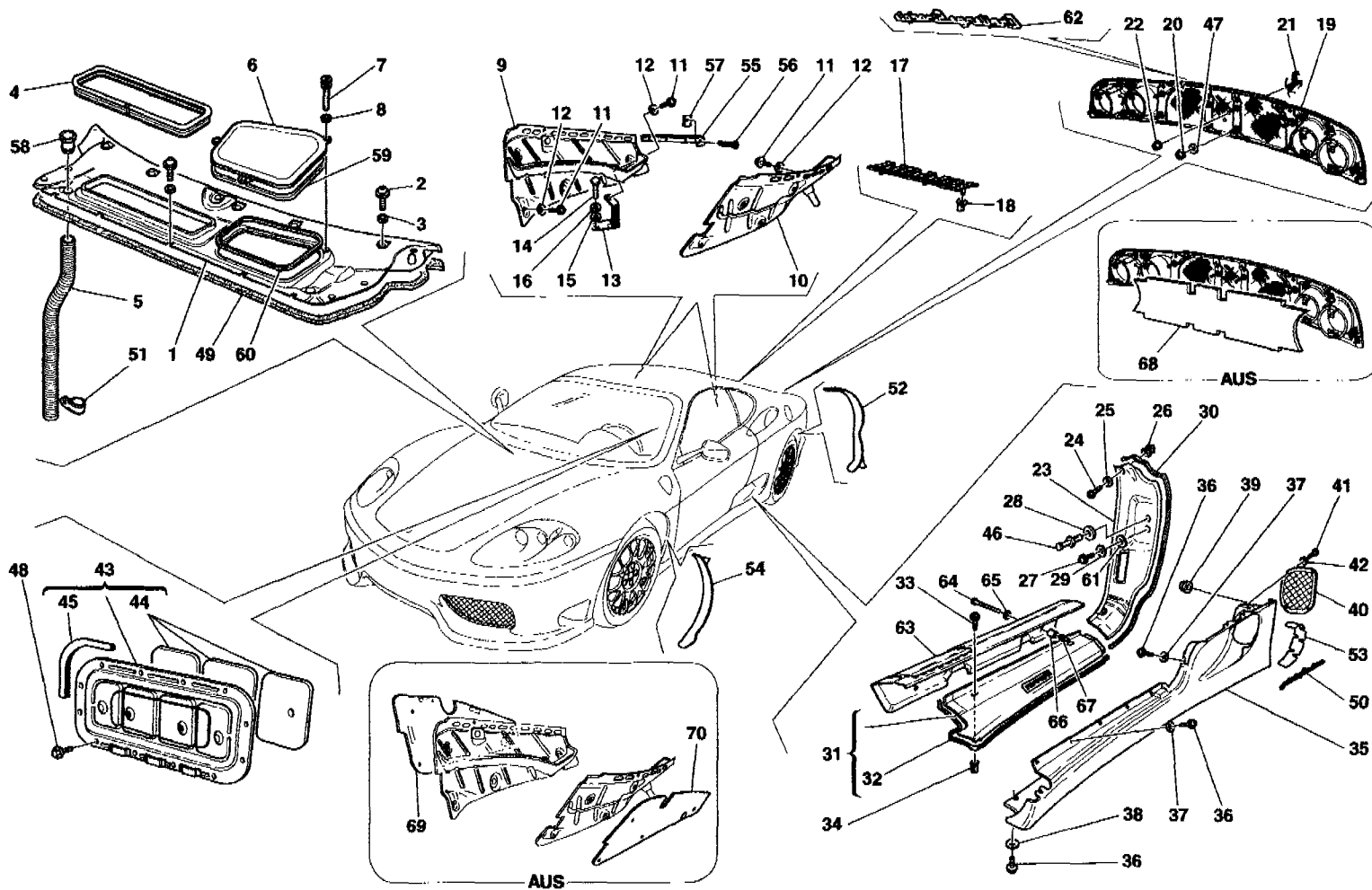
Challenge Stradale - 127 - FRONT AND REAR LIGHTS

1	659946..	1	R.H. HEADLIGHT LOW/HIGH BEAM -Gas lamps- -Not for USA, CDN, GD and J-
1	659947..	1	R.H. HEADLIGHT LOW/HIGH BEAM -Gas lamps- -Valid for USA and CDN-
1	659948..	1	R.H. HEADLIGHT LOW/HIGH BEAM -Gas lamps- -Valid for GD and J-
1	659943..	1	R.H. HEADLIGHT LOW/HIGH BEAM -Not gas lamps- -Not for USA, CDN, GB, AUS and J-
1	659945..	1	R.H. HEADLIGHT LOW/HIGH BEAM -Not gas lamps- -Valid for GD and J-
1	659952..	1	L.H. HEADLIGHT LOW/HIGH BEAM -Gas lamps- -Not for USA, CDN, GD and J-
1	659953..	1	L.H. HEADLIGHT LOW/HIGH BEAM -Gas lamps- -Valid for USA and CDN-
1	659954..	1	L.H. HEADLIGHT LOW/HIGH BEAM -Gas lamps- -Valid for GD and J-
1	659949..	1	L.H. HEADLIGHT LOW/HIGH BEAM -Not gas lamps- -Not for USA, CDN, GB, AUS and J-
1	659951..	1	L.H. HEADLIGHT LOW/HIGH BEAM -Not gas lamps- -Valid for GD and J-
2	185376	1	R.H. HEADLIGHT GASKET
2	185377	1	L.H. HEADLIGHT GASKET
3	157514	1	L.H. INNER REAR LIGHT -Not for USA and CDN-
3	157525	1	L.H. INNER REAR LIGHT -Valid for USA and CDN-
3	157513	1	R.H. INNER REAR LIGHT -Not for USA and CDN-
3	157524	1	R.H. INNER REAR LIGHT -Valid for USA and CDN-
4	157516	1	L.H. OUTER REAR LIGHT -Not for USA and CDN-
4	157523	1	L.H. OUTER REAR LIGHT -Valid for USA and CDN-
4	157515	1	R.H. OUTER REAR LIGHT -Not for USA and CDN-
4	157522	1	R.H. OUTER REAR LIGHT -Valid for USA and CDN-
5	102741	8	NUT
6	10519424	8	WASHER
7	165558	2	FRONT SIDE DIRECTION LIGHT
8	164834	1	ADDITIONAL STOP LIGHT
9	10794014	2	NUT
10	10615274	2	WASHER
11	64865900	1	R.H. BRACKET
12	64866000	1	L.H. BRACKET
13	16286027	2	SCREW
14	65520000	4	FRONT FIXING BRACKET
15	10902024	8	SCREW
16	12640677	8	WASHER
17	64529600	8	SPACER
18	65164700	1	HEADLIGHTS WASHER PUMP -For cars with headlights washer-
19	65511700	1	GASKET -For cars with headlights washer-
20	65363000	1	HEADLIGHTS WASHER PIPE ASSEMBLY -For cars with headlights washer-
21	65380000	2	HEADLIGHTS WASHER FIXED BODY

22	65667200	1	-For cars with headlights washer- R.H. HEADLIGHTS WASHER MOBILE BODY
22	65380100	1	-For cars with headlights washer- L.H. HEADLIGHTS WASHER MOBILE BODY
23	15517201	6	-For cars with headlights washer- SCREW
24	65896600	1	-For cars with headlights washer- R.H. SUPPORT
24	65896700	1	-For cars with headlights washer- L.H. SUPPORT
25	65896400	1	-For cars with headlights washer- R.H. PLUG
25	65896500	1	-For cars with headlights washer- L.H. PLUG
26	10441590	4	-For cars with headlights washer- BRACKET
27	14296191	4	-For cars with headlights washer- RIVET
28	65161500	1	-For cars with headlights washer- R. H. FRONT SIDE LIGHT SUPPORT
28	65161700	1	-For cars with headlights washer- L. H. FRONT SIDE LIGHT SUPPORT
29	16043934	2	SCREW
30	116413	2	WASHER
31	63234200	2	SCREW
32	12646801	2	WASHER
33	185378	3	CLIP
34	183672	2	BULB
35	65705500	1	-For gas lamps- R.H. BRACKET
35	65705600	1	-For gas lamps- L.H. BRACKET
36	65705400	2	-For gas lamps- BRACKET
37	185554	2	-For gas lamps- FRONT LIGHT CONTROL STATION
40	14190190	2	-For gas lamps- NUT WITH CAGE
41	66120200	1	INSULATION
42	147563	2	FRONT SIDE-MARKER LAMP
42	140594	2	-Valid for USA and CDN- REAR SIDE-MARKER LAMP
43	155751	4	-Valid for USA and CDN- CLIP
44	14084111	8	-Valid for USA and CDN- NUT
45	12638124	8	-Valid for USA and CDN- WASHER
			-Valid for USA and CDN-

For particular colour matchings, make order by Fax or E-m@il, specifying serial number. - See "INNER TRIMS CAR CODES" table for codes of parts covered in leather or moquette.

Challenge Stradale - 128 - SHIELDS - OUTSIDE FINISHING

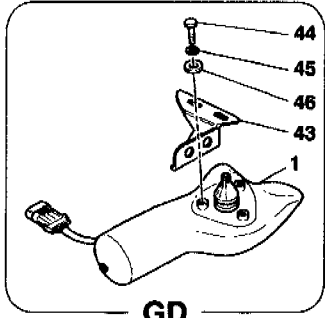


Challenge Stradale - 128 - SHIELDS - OUTSIDE FINISHING

1	65544100	1	WINDSHIELD PLATE -Not for GD-
1	65875200	1	WINDSHIELD PLATE -Valid for GD-
2	65864100	11	SCREW
3	12644477	11	WASHER
4	65750900	1	GASKET
5	65992600	2	WATER EXHAUST TUBE
6	65064300	1	OIL TANK COMPARTMENT COVER -Not for GD-
6	65875400	1	OIL TANK COMPARTMENT COVER -Valid for GD-
7	65750300	3	THREADED PIN
8	14496478	3	WASHER
9	67358600	1	R.H. PANEL
10	67358700	1	L.H. PANEL
11	169815	16	SCREW
12	12624178	16	WASHER
13	65991500	1	R.H. FIXING BRACKET
13	65991800	1	L.H. FIXING BRACKET
14	16043624	2	R.H. SIDE SCREW
14	10902474	2	L.H. SIDE SCREW
15	12638524	2	R.H. SIDE WASHER
15	12601274	2	L.H. SIDE WASHER
16	11220079	2	R.H. SIDE WASHER
17	61025000	1	"FERRARI" MARK
18	60324506	2	SAFETY CLIP
19	67408000	1	COMPLETE REAR SIDE COVERING
20	13046114	12	NUT
21	64865600	1	CAVALLINO RAMPANTE
22	14084011	2	NUT
23	64858900	1	L.H. STRIP COVER -Not for GD-
23	65536500	1	L.H. STRIP COVER -Valid for GD-
23	64858800	1	R.H. STRIP COVER -Not for GD-
23	65536600	1	R.H. STRIP COVER -Valid for GD-
24	15689675	4	SCREW
25	12637878	4	WASHER
26	14201980	4	BLOCK
27	62940900	2	SCREW
28	66751900	2	WASHER
29	12648978	2	WASHER
30	64859000	2	RUBBER PROFILE
31	67684400	1	COMPLETE L.H. KICK PLATE
31	67684300	1	COMPLETE R.H. KICK PLATE
32	65858500	2	RUBBER PROFILE
33	15688875	4	SCREW
34	14115480	4	BLOCK
35	67361110	1	L.H. UNDERDOOR COVERING
35	67361010	1	R.H. UNDERDOOR COVERING
36	64830600	30	SCREW
37	12643778	12	WASHER
38	12640677	18	WASHER
39	13046114	10	NUT
40	66079500	1	R.H. LOWER AIR INTAKE GRILLE
40	66079600	1	L.H. LOWER AIR INTAKE GRILLE
41	15688075	4	SCREW
42	14496277	4	WASHER
43	66236100	1	COMPLETE ENGINE INSPECTION PANEL -Not as spare part- -Replaced by 68093000-

43	68093000	1	COMPLETE ENGINE INSPECTION PANEL
44	66215900	1	R.H. INSULATION -Not as spare part- -Replaced by 68088100-
44	66216100	1	CENTRAL INSULATION -Not as spare part- -Replaced by 68088100-
44	66216000	1	L.H. INSULATION -Not as spare part- -Replaced by 68088100-
44	68088100	1	INSULATION
45	65387300	1	GASKET
46	65305800	2	STRIKER
47	119365	4	WASHER
48	16297024	12	SCREW
49	65841800	1	GASKET
50	64780500	2	PININFARINA ORNAMENT
51	10442190	2	BRACKET WITH SHEATH
52	67755900	1	L.H. REAR ADHESIVE TRACK CLEARER
52	67755800	1	R.H. REAR ADHESIVE TRACK CLEARER
53	67755700	1	L.H. AIR INTAKE TRACK CLEARER
53	67755600	1	R.H. AIR INTAKE TRACK CLEARER
54	65971600	1	L.H. UPPER ADHESIVE TRACK CLEARER
54	67755400	1	L.H. LOWER ADHESIVE TRACK CLEARER
54	65971500	1	R.H. UPPER ADHESIVE TRACK CLEARER
54	67755500	1	R.H. LOWER ADHESIVE TRACK CLEARER
55	65979500	1	R.H. FENDER PLATE
55	65979600	1	L.H. FENDER PLATE
56	15903975	8	SCREW
57	14369876	8	BRACKET
58	65004900	2	WATER EXHAUST TUBE
59	64879800	1	GASKET
60	64879700	1	PLATE GASKET
61	63314400	2	WASHER
62	67753800	1	"CHALLENGE STRADALE" PLATE
63	678954..	1	L.H. CROSSMEMBER COVERING -Optional- -Leather version-
63	684861..	1	L.H. CROSSMEMBER COVERING -Optional- -Lorica version-
63	678953..	1	R.H. CROSSMEMBER COVERING -Optional- -Leather version-
63	684860..	1	R.H. CROSSMEMBER COVERING -Optional- -Lorica version-
64	65071800	2	SCREW -Optional-
65	65916400	2	WASHER -Optional-
66	66093900	2	SPACER -Optional-
67	66759600	2	THREADED INSERT -Optional-
68	68456800	1	INSULATION
69	68457100	1	R.H. SHIELD INSULATION -Valid from Nr.53911 for AUS-
70	68457200	1	L.H. SHIELD INSULATION -Valid from Nr.53911 for AUS-

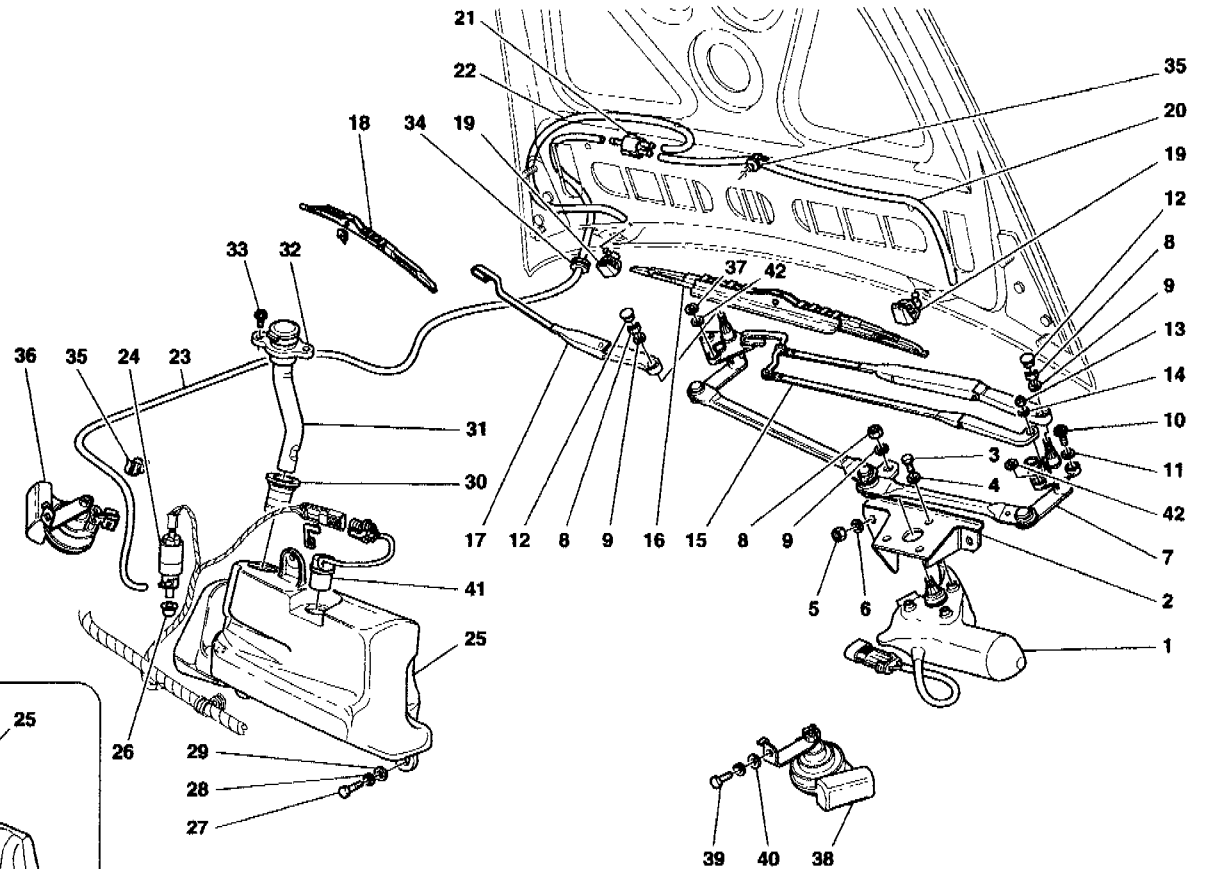
For particular colour matchings, make order by Fax or E-m@il, specifying serial number. - See "INNER TRIMS CAR CODES" table for codes of parts covered in leather or moquette.



GD



-Versione lavafari-
-Headlight washer version-

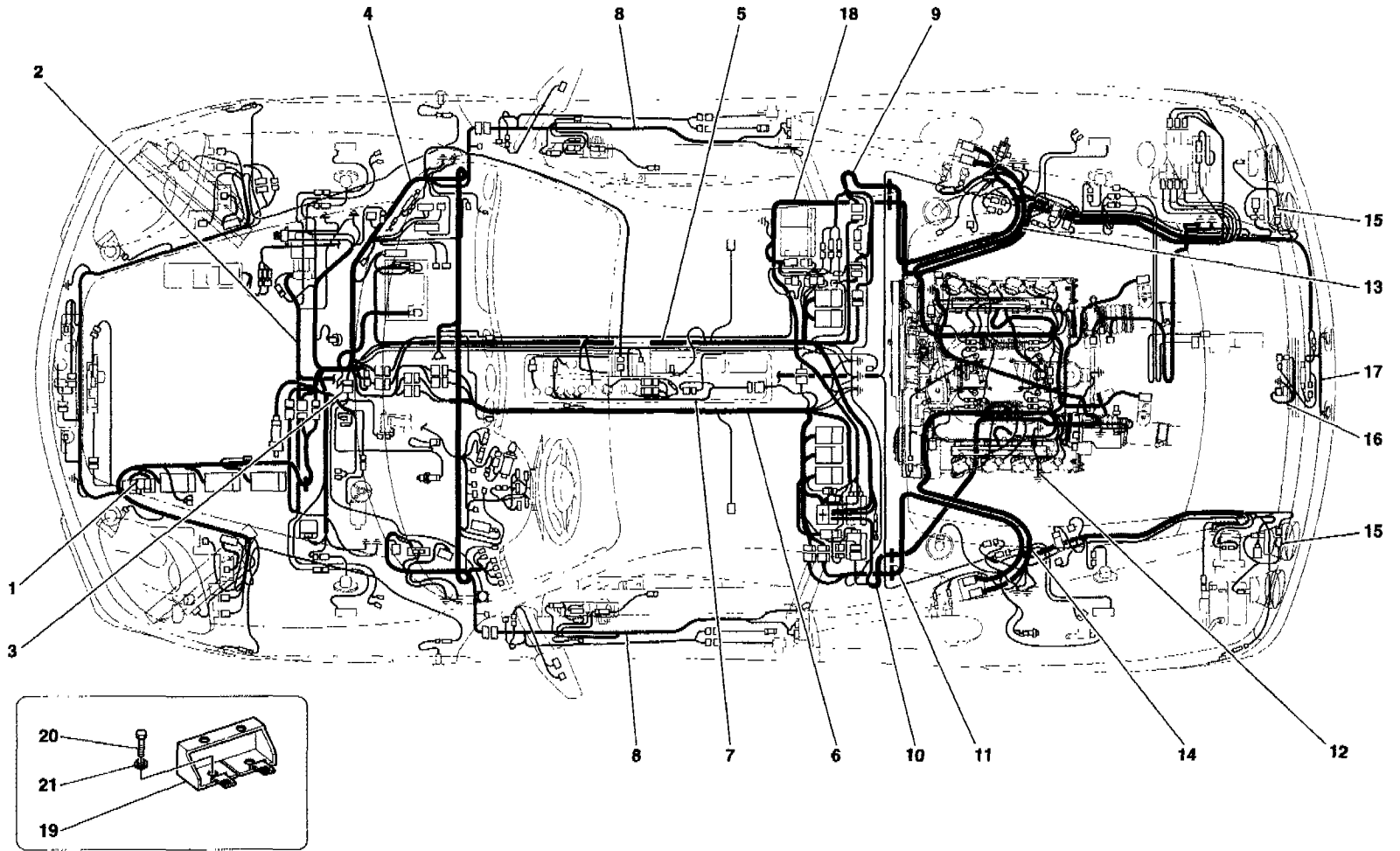


Challenge Stradale - 129 - WINDSHIELD, GLASS WASHER AND HORNS

1	63780200	1	WINDSHIELD WIPER MOTOR
2	173416	1	WINDSHIELD WIPER MOTOR FASTENING BRACKET -Not for GD-
2	65397500	1	WINDSHIELD WIPER MOTOR FASTENING BRACKET -Valid for GD-
3	10902224	3	SCREW
4	127494	3	WASHER
5	104030	3	NUT
6	14496524	3	WASHER
7	65409100	1	COMPLETE WINDSHIELD WIPER LEVERAGE -Not for GD-
7	65849300	1	COMPLETE WINDSHIELD WIPER LEVERAGE -Valid for GD-
8	16100814	3	NUT
9	12601374	3	WASHER
10	64830600	6	SCREW
11	12644477	6	WASHER
12	65190900	2	SMALL COVER
13	15896472	1	NUT
14	12601176	1	WASHER
15	65409200	1	DRIVER SIDE WINDSHIELD WIPER ARM -Not for GD-
15	65849400	1	DRIVER SIDE WINDSHIELD WIPER ARM -Valid for GD-
16	63776100	1	DRIVER SIDE WIPER BRUSH
17	65409300	1	PASSENGER SIDE WINDSHIELD WIPER ARM -Not for GD-
17	65849500	1	PASSENGER SIDE WINDSHIELD WIPER ARM -Valid for GD-
18	65409400	1	PASSENGER SIDE WIPER BRUSH
19	65191000	2	JET FOR WINDOW WASHING
20	65362600	1	RUBBER HOSE
21	61648100	1	NONRETURN VALVE
22	65362500	1	RUBBER HOSE
23	65362400	1	RUBBER HOSE FROM PUMP TO VALVE
24	65358700	1	WIPER PUMP
25	65809100	1	WINDSHIELD WIPER CONTAINER
25	65581500	1	WINDSHIELD WIPER AND HEADLIGHT WASHER CONTAINER
26	65775100	1	GASKET
27	10902414	3	SCREW
28	10615474	3	-For container 65581500 q.ty 4- WASHER
29	10523424	3	-For container 65581500 q.ty 4- WASHER
30	65581700	1	-For container 65581500 q.ty 4- GASKET
31	65581800	1	PIPE
32	65374000	1	PLUG
33	62940900	2	SCREW
34	10396280	2	GASKET
35	65714300	2	FIXING CLIP
36	199231	1	COMPLETE R.H. HORN
37	12646601	1	WASHER
38	199232	1	COMPLETE L.H. HORN
39	10902324	2	SCREW
40	12601274	2	WASHER
41	65758700	1	LIQUID SENSOR

42	65546300	2	BEVEL WASHER
43	66078400	1	INTERMEDIATE BRACKET
			-Valid for GD-
44	10902224	2	SCREW
			-Valid for GD-
45	14499324	2	WASHER
			-Valid for GD-
46	127494	2	WASHER
			-Valid for GD-

Challenge Stradale - 130 - ELECTRICAL SYSTEM

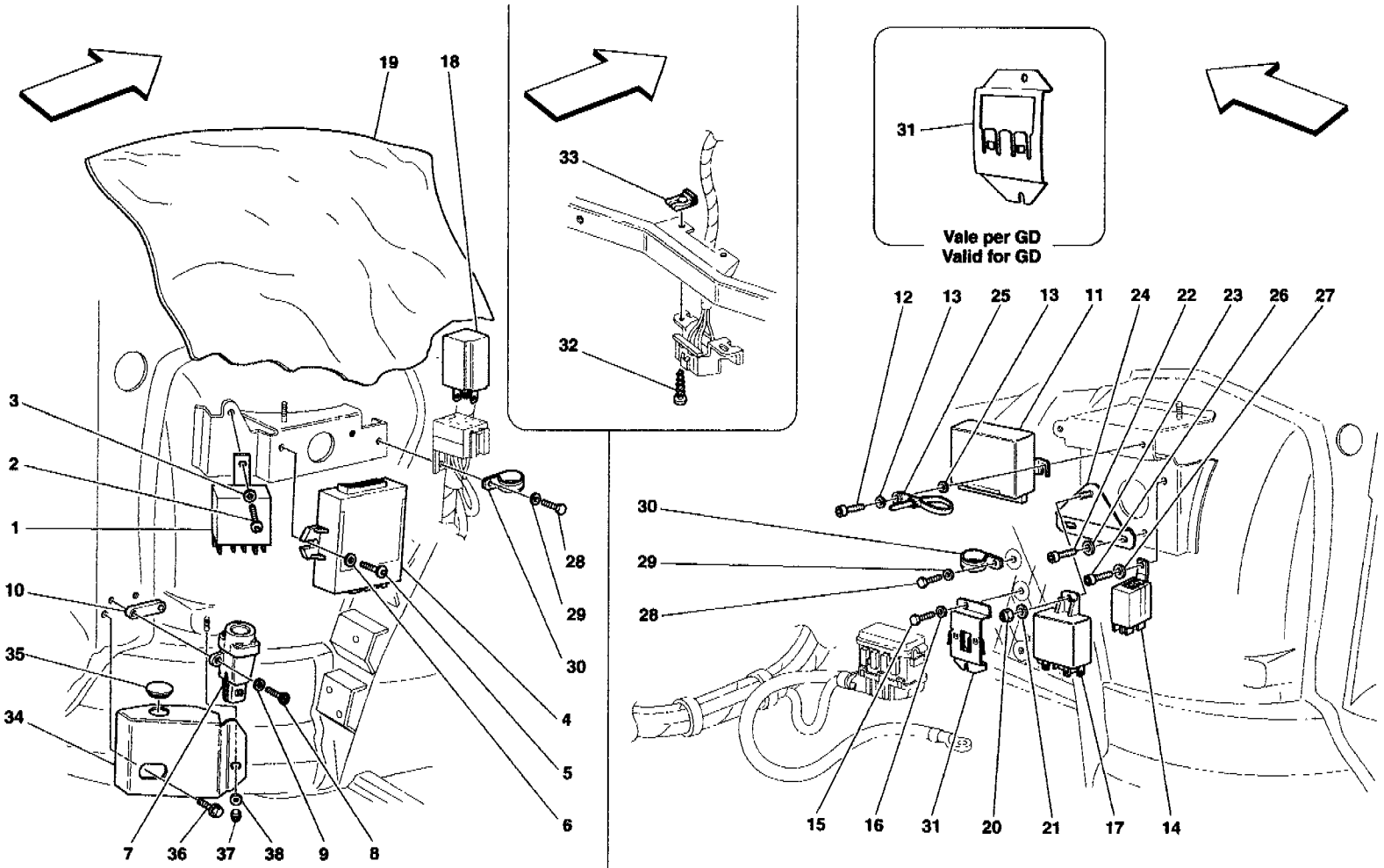


Challenge Stradale - 130 - ELECTRICAL SYSTEM

1	198395	1	FRONT PART CONNECTING CABLES
2	197216	1	ABS/ASR INSTALLATION CONNECTING CABLES -Not for GD-
2	197215	1	ABS/ASR INSTALLATION CONNECTING CABLES -Valid for GD-
3	198676	1	PEDAL DEVICE CONNECTING CABLES -Not for GD-
4	196861	1	DASHBOARD CONNECTION CABLES -Not for GD-
4	196862	1	DASHBOARD CONNECTION CABLES -Valid for GD
5	198554	1	CABLES FOR R.H. REAR TUNNEL CONNECTION -Not for USA, CDN and J-
5	198555	1	CABLES FOR R.H. REAR TUNNEL CONNECTION -Valid for USA, CDN and J-
6	196703	1	CABLES FOR L.H. REAR TUNNEL CONNECTION
7	196882	1	CABLES FOR TUNNEL-CONSOLE CONNECTION
8	201104	2	DOOR CONNECTION CABLES -Valid till Ass. Nr.52139-
8	198209	2	DOOR CONNECTION CABLES -Valid from Ass. Nr.52140-
9	200839	1	CONNECTION CABLES FOR R.H. ENGINE COMPARTMENT -Not for USA and CDN- -Valid till stock exhaustion-
9	205659	1	CONNECTION CABLES FOR R.H. ENGINE COMPARTMENT -Valid after stock exhaustion of 200839- -Not for USA and CDN-
9	200844	1	CONNECTION CABLES FOR R.H. ENGINE COMPARTMENT -Valid for USA and CDN-
10	188108	1	COMPLETE CONNECTION CABLES FOR MOTOR UTILITIES -Not as spare part- -Replaced by 213155-
10	213155	1	COMPLETE CONNECTION CABLES FOR MOTOR UTILITIES
11	200840	1	CONNECTION CABLES FOR L.H. ENGINE COMPARTMENT -Not for USA, CDN and J-
11	200843	1	CONNECTION CABLES FOR L.H. ENGINE COMPARTMENT -Valid for USA, CDN and J-
12	155073	1	CABLE FOR ENGINE-FRAME EARTH
13	199873	1	R.H. SIDE ENGINE INJECTION CABLES -Not for USA and CDN-
13	199875	1	R.H. SIDE ENGINE INJECTION CABLES -Valid for USA and CDN-
14	199874	1	L.H. SIDE ENGINE INJECTION CABLES -Not for USA and CDN-
14	199876	1	L.H. SIDE ENGINE INJECTION CABLES -Valid for USA and CDN-
15	200836	2	REAR LIGHTS CONNECTING CABLES -Not for USA and CDN-
15	200837	2	REAR LIGHTS CONNECTING CABLES -Valid for USA and CDN-
16	200825	1	STOP-LAMP CONNECTION CABLES
17	182985	1	CABLES FOR NUMBER PLATE LIGHTS

18	196860	1	COMPLETE CABLES F1 TRANSMISSION CONNECTION -Valid for F1- -Valid till stock exhaustion-
18	207331	1	COMPLETE CABLES F1 TRANSMISSION CONNECTION -Valid for F1- -Included relay 194909 Tab. 133 Ref. 16-
19	189876	1	CONNECTORS FIXING BRACKET
20	10902224	2	SCREW
21	12601274	2	WASHER

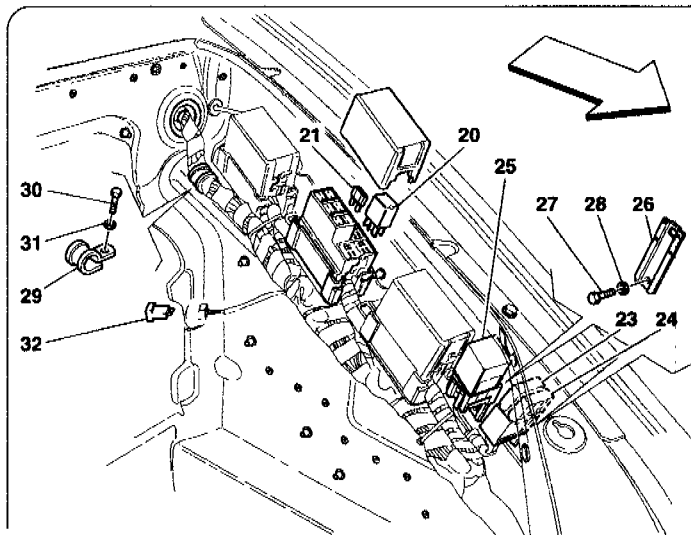
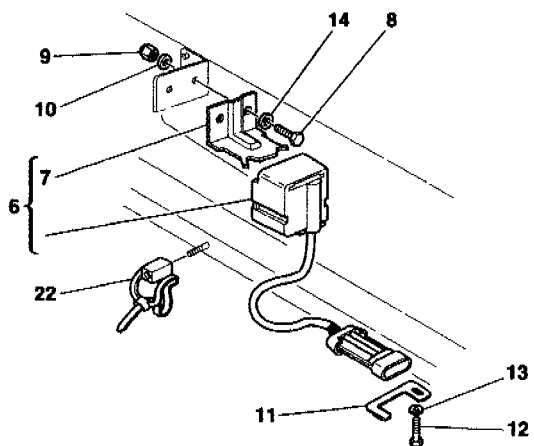
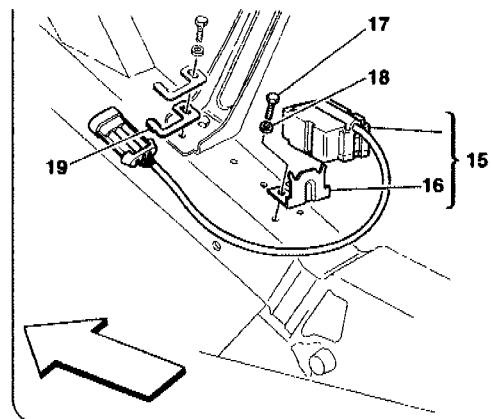
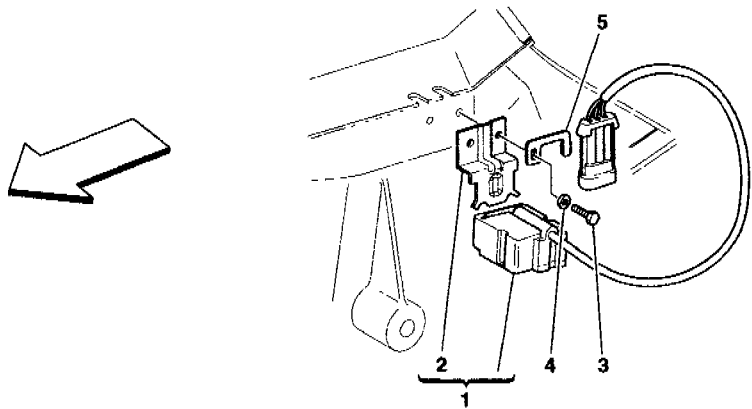
Challenge Stradale - 131 - FRONT PASSENGERS COMPARTMENT CONTROL STATIONS



Challenge Stradale - 131 - FRONT PASSENGERS COMPARTMENT CONTROL STATIONS

1	184391	1	LOCK/UNLOCK DOORS MODULE
2	14304324	1	SCREW
3	12637824	1	WASHER
4	185888	1	GLASS LIFTING ELECTRONIC CONTROL STATION -Not as spare part for USA and CDN- -Replaced by 213212- -Valid till stock exhaustion for not USA and CDN versions-
4	213212	1	GLASS LIFTING ELECTRONIC CONTROL STATION -Valid for USA and CDN- -For versions not USA and CDN valid after stock exhaustion of 185888-
5	62940900	2	SCREW
6	10519424	2	WASHER
7	163675	1	INERTIAL SWITCH
8	10977824	2	SCREW
9	12637824	2	WASHER
10	65549800	1	SPACER
11	198308	1	SHOCK ABSORBERS ELECTRONIC CONTROL STATION
12	14304324	2	SCREW
13	12637824	3	WASHER
14	171798	1	DIRECTION-EMERGENCY LIGHT RELAY -Not for USA and CDN-
14	171799	1	DIRECTION-EMERGENCY LIGHT RELAY -Valid for USA and CDN- -Not as spare part- -Replaced by 213326-
14	213326	1	DIRECTION-EMERGENCY LIGHT RELAY -Valid for USA and CDN-
15	10902224	1	SCREW
16	12601274	1	WASHER
17	180199	1	WINDSHIELD WIPER INTERMITTER
18	171455	1	LIGHTWASHERS TIMER -Valid for lightwashers version-
19	66215200	2	WATER PROTECTION CLOTH
20	102741	1	NUT
21	10519424	1	WASHER
22	14304324	2	SCREW
23	12637824	2	WASHER
24	181583	1	INTERMITTER FIXING BRACKET
25	170011	1	CLAMP
26	14304324	1	SCREW
27	12637824	1	WASHER
28	10902224	2	SCREW
29	10519424	2	WASHER
30	10441290	2	BRACKET WITH SHEATH
31	172943	1	FIXING BRACKET -Not for GD-
31	175345	1	FIXING BRACKET -Valid for GD-
32	15688170	2	SCREW
33	40136707	2	CLIP
34	67603300	1	SHIELD FOR INERTIAL SWITCH
35	14507787	1	PLUG
36	16296924	1	SCREW
37	102948	1	NUT
38	14496424	1	WASHER

Challenge Stradale - 132 - FRONT AND MOTOR COMPARTMENTS ELECTRICAL BOARDS AND SENSOR



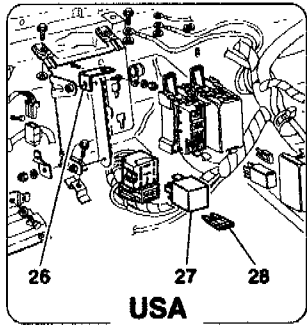
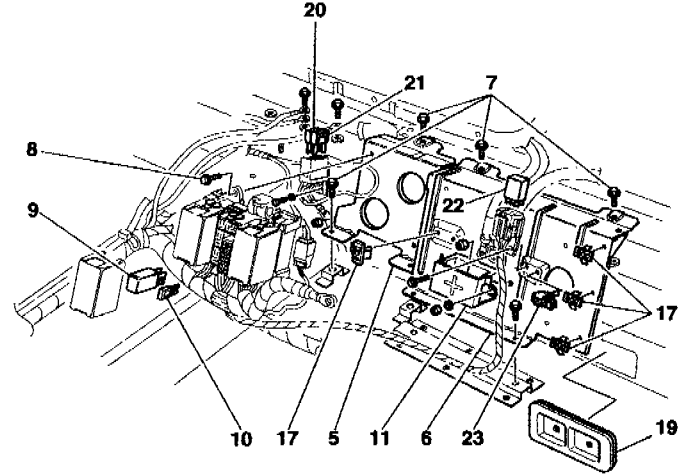
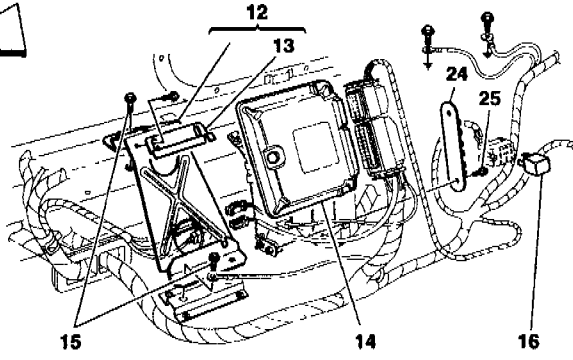
Challenge Stradale - 132 - FRONT AND MOTOR COMPARTMENTS ELECTRICAL BOARDS AND SENSOR

1	175220	1	COMPLETE FRONT VERTICAL ACCELERATION SENSOR
2	178247	1	BRACKET
3	10902024	2	SCREW
4	12601274	2	WASHER
5	162606	2	CLIP
6	175221	1	COMPLETE FRONT LATERAL ACCELERATION SENSOR
7	178251	1	BRACKET
8	10902024	2	SCREW
9	10720111	2	NUT
10	12648277	2	WASHER
11	156198	1	CLIP
12	10902224	1	SCREW
13	10519424	1	WASHER
14	12601274	2	WASHER
15	176923	1	COMPLETE REAR VERTICAL ACCELERATION SENSOR
16	178249	1	BRACKET
17	10902024	2	SCREW
18	12601274	2	WASHER
19	156198	2	CLIP
20	161590	7	MICRO-RELAY 20 A.
20	172882	2	MICRO-RELAY 30 A.
21	172881	2	FUSE 30 A.
21	172880	1	FUSE 25 A.
21	172878	6	FUSE 15 A.
21	172875	4	FUSE 5 A.
21	172876	4	FUSE 7,5 A.
22	177553	1	CLAMP
23	166835	1	FUSE 40 A.
24	172881	1	FUSE 30 A.
25	183209	1	FRONT COMPARTMENT LIGHT TIMER
26	155184	2	FIXING BRACKET
27	10902024	2	SCREW
28	14496424	2	WASHER
29	10441790	1	BRACKET WITH SHEATH
30	10902424	1	SCREW
31	10519424	1	WASHER
32	200852	1	BRACKET

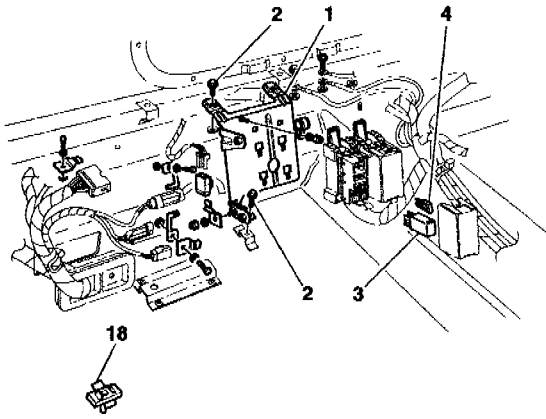
-Valid for CDN-

LATO DX.
R.H. SIDE

LATO SX
L.H. SIDE

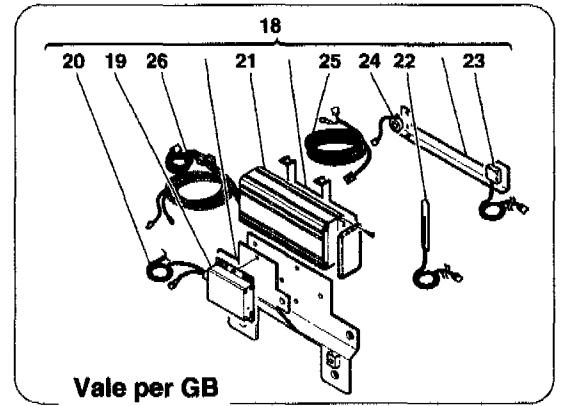
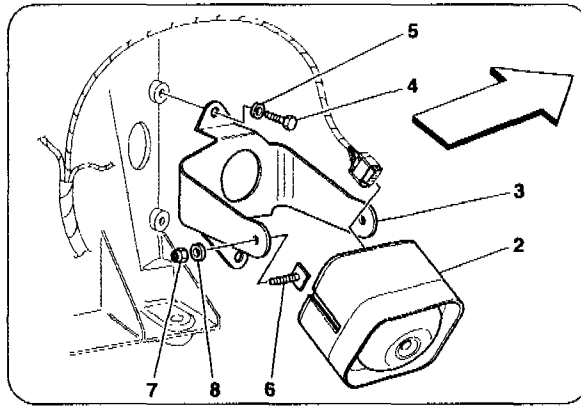
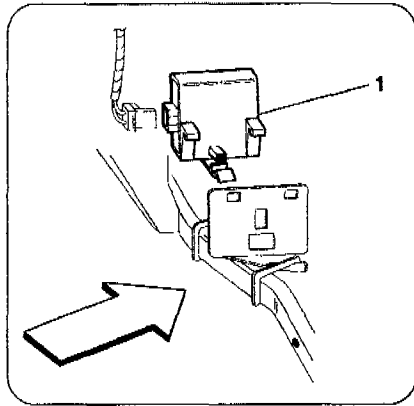
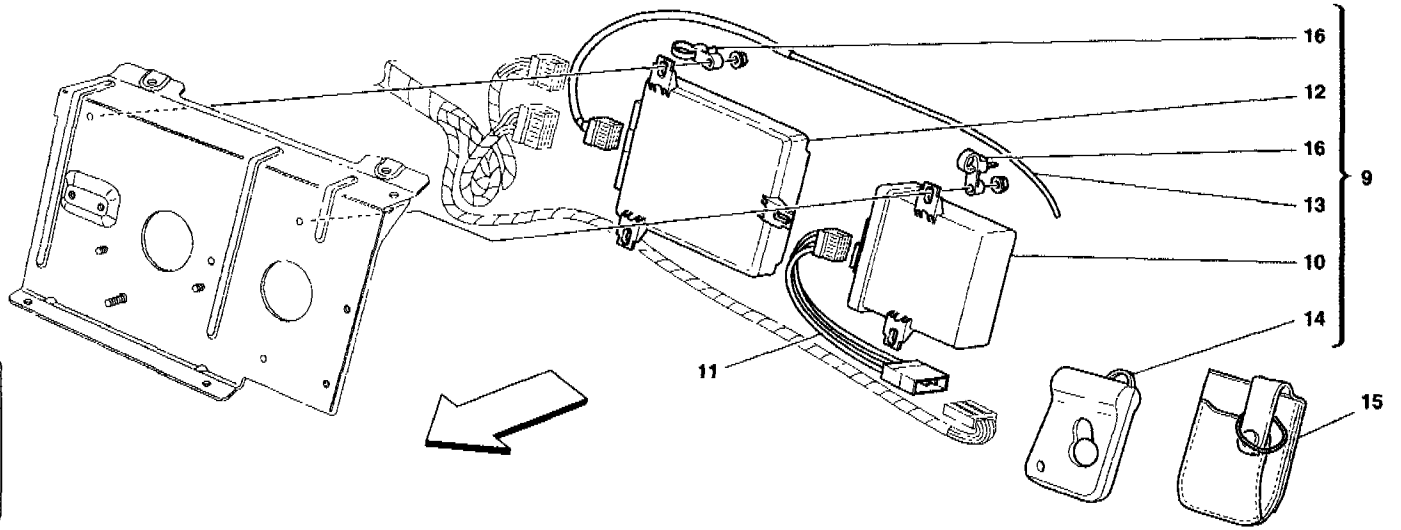


USA
CDN



Challenge Stradale - 133 - REAR PASSENGERS COMPARTMENT CONTROL STATIONS

1	65312600	1	R.H. SIDE BRACKET FOR CONTROL UNIT FIXING
2	16286024	4	SCREW
3	172882	1	MICRO-RELAY 30 A.
3	161590	3	MICRO-RELAY 20 A.
4	172875	1	FUSE 5 A.
4	172876	2	FUSE 7,5 A.
4	172877	5	FUSE 10 A.
4	172878	1	FUSE 15 A.
4	172879	1	FUSE 20 A.
4	172881	2	FUSE 30 A.
5	65312800	1	L.H. SIDE BRACKET FOR CONTROL UNIT FIXING
6	66765200	1	L.H. SIDE BRACKET FOR TERMINAL BOX FIXING
7	16286024	7	SCREW
8	16286024	2	SCREW
9	172882	2	MICRO-RELAY 30 A.
9	161590	5	MICRO-RELAY 20 A.
9	161591	1	MICRO-RELAY 20/10 A.
10	172875	2	FUSE 5 A.
10	172876	4	FUSE 7,5 A.
10	172877	5	FUSE 10 A.
10	172878	5	FUSE 15 A.
10	172880	1	FUSE 25 A.
10	172881	5	FUSE 30 A.
11	170114	1	COMPLETE TERMINAL BOX
12	65692900	1	COMPLETE R.H. SIDE BRACKET FOR F1 CONTROL UNIT FIXING
13	65668900	1	BRACKET
14	196986	1	F1 GEAR-BOX ELECTRONIC CONTROL STATION
15	16286024	3	SCREW
16	155437	1	RELAY -Valid for F1- -Not as spare part- -Replaced by 194909-
16	194909	1	RELAY -Valid for F1-
17	170301	4	PLASTIC CLIP
18	188739	11	CLIP -Plastic-
19	168847	2	INNER COMPARTMENT CABLE BUSHING
20	170093	1	FUSE 30 A.
21	169438	1	FUSE 20 A.
22	172882	1	MICRO-RELAY 30 A.
23	157386	1	CLIP
24	168438	1	SUPPORT
25	16285924	2	SCREW
26	195710	1	BRACKET -Valid for USA and CDN-
27	177761	1	RELAY FOR AIR PUMP -Valid for USA and CDN
28	170061	1	FUSE 50 A. -Valid for USA and CDN



- Challenge Stradale - 134 - ANTI-THEFT ELECTRICAL BOARDS AND DEVICES

1	203327	1	ANTI-LIFT SENSOR
2	177148	1	SIREN
3	172941	1	BRACKET
4	16051921	2	SCREW
5	10519624	2	WASHER
6	179810	2	SCREW
7	102948	2	NUT
8	12646601	2	WASHER
9	182131	1	COMPLETE ANTI-THEFT ELECTRICAL BOARDS KIT -Not for D, CH, B, NL, GB, IRL, USA, CDN, AUS- -For countries ... , see note "1"-
9	182132	1	COMPLETE ANTI-THEFT ELECTRICAL BOARDS KIT -Valid for D-
9	182133	1	COMPLETE ANTI-THEFT ELECTRICAL BOARDS KIT -Valid for CH-
9	182134	1	COMPLETE ANTI-THEFT ELECTRICAL BOARDS KIT -Valid for B-
9	182135	1	COMPLETE ANTI-THEFT ELECTRICAL BOARDS KIT -Valid for NL-
9	182136	1	COMPLETE ANTI-THEFT ELECTRICAL BOARDS KIT -Valid for GB and IRL-
9	182137	1	COMPLETE ANTI-THEFT ELECTRICAL BOARDS KIT -Valid for USA, CDN, AUS and for countries ... , see note "2"-
9	171851	1	REMOTE KIT -For countries ... , see note "1"-
9	171852	1	REMOTE KIT -For countries ... , see note "2"-
10	168509	1	INTERFACE ELECTRONIC CONTROL STATION -Not as a spare part- -With the complete anti-theft ECU-
11	200851	1	CABLES TO CONTROL UNIT
12	168508	1	ANTI-THEFT ELECTRICAL BOARDS (Freq. 433 MHz)-Not as a spare part- -With the complete anti-theft ECU-
12	176004	1	ANTI-THEFT ELECTRICAL BOARDS (Freq. 315 MHz)-Not as a spare part- -With the complete anti-theft ECU-
13	169600	1	ANTI-THEFT ANTENNA -For countries ... , see note "1"-
13	180548	1	ANTI-THEFT ANTENNA -For countries ... , see note "2"-
14	165584	1	"MASTER" REMOTE CONTROL (RED) -Not as spare part- -With the remote control Kit 171851 or the complete anti-theft ECU Kit-
14	165016	1	"SLAVE" REMOTE CONTROL (BLACK) -Not as spare part- -With the remote control Kit 171851 or the complete anti-theft ECU Kit-
14	168016	1	"MASTER" REMOTE CONTROL (RED) -Not as spare part- -With the remote control Kit 171852 or the complete anti-theft ECU Kit-
14	167069	1	"SLAVE" REMOTE CONTROL (BLACK) -Not as spare part-

			-With the remote control Kit 171852 or the complete anti-theft ECU Kit-
15	652597..	1	REMOTE CASE
16	170011	2	CLAMP
17	189552	1	CABLE CONNECTION SIREN TO BATTERY
18	216112	1	SATELLITE ANTI-THEFT KIT
19	216096	1	-Valid for GB- ADR UNIT CONTROL STATION
20	216103	1	-Valid for GB- ANTENNA CABLE
21	216095	1	-Valid for GB- AEM400DLU CONTROL STATION
22	216099	1	-Valid for GB- GSM ANTENNA
23	216098	1	-Valid for GB- GPS ANTENNA
24	216101	1	-Valid for GB- BUZZER
25	216102	1	-Valid for GB- CABLES FOR BUZZER
26	216104	1	-Valid for GB- FEED CABLES

IMPORTANT:

To order the complete anti-theft ECU kit and/or the remote control kit, quote by fax, our part n° from the remote control homologation plate which you will find listed in note "3".

Note 1

Countries with a frequency of 433 MHz:

Italy, Denmark, Luxembourg, Austria, France, Spain, Portugal, Sweden, Finland, Germany (with specific complete ECU kit), Switzerland (with specific complete ECU kit), Belgium (with specific complete ECU kit), Netherlands (with specific complete ECU kit), United Kingdom (with specific complete ECU kit), Ireland (with specific complete ECU kit), Greece, Turkey, Cyprus, Saudi Arabia, Kuwait, Bahrain, Brunei, Hong Kong, China, Thailand, Taiwan.

Note 2

Countries with a frequency of 315 MHz:

USA, Canada, Mexico, Puerto Rico, Brazil, Argentina, Venezuela, Lebanon, United Arab Emirates, Oman, Japan, Singapore, Australia.

Note 3

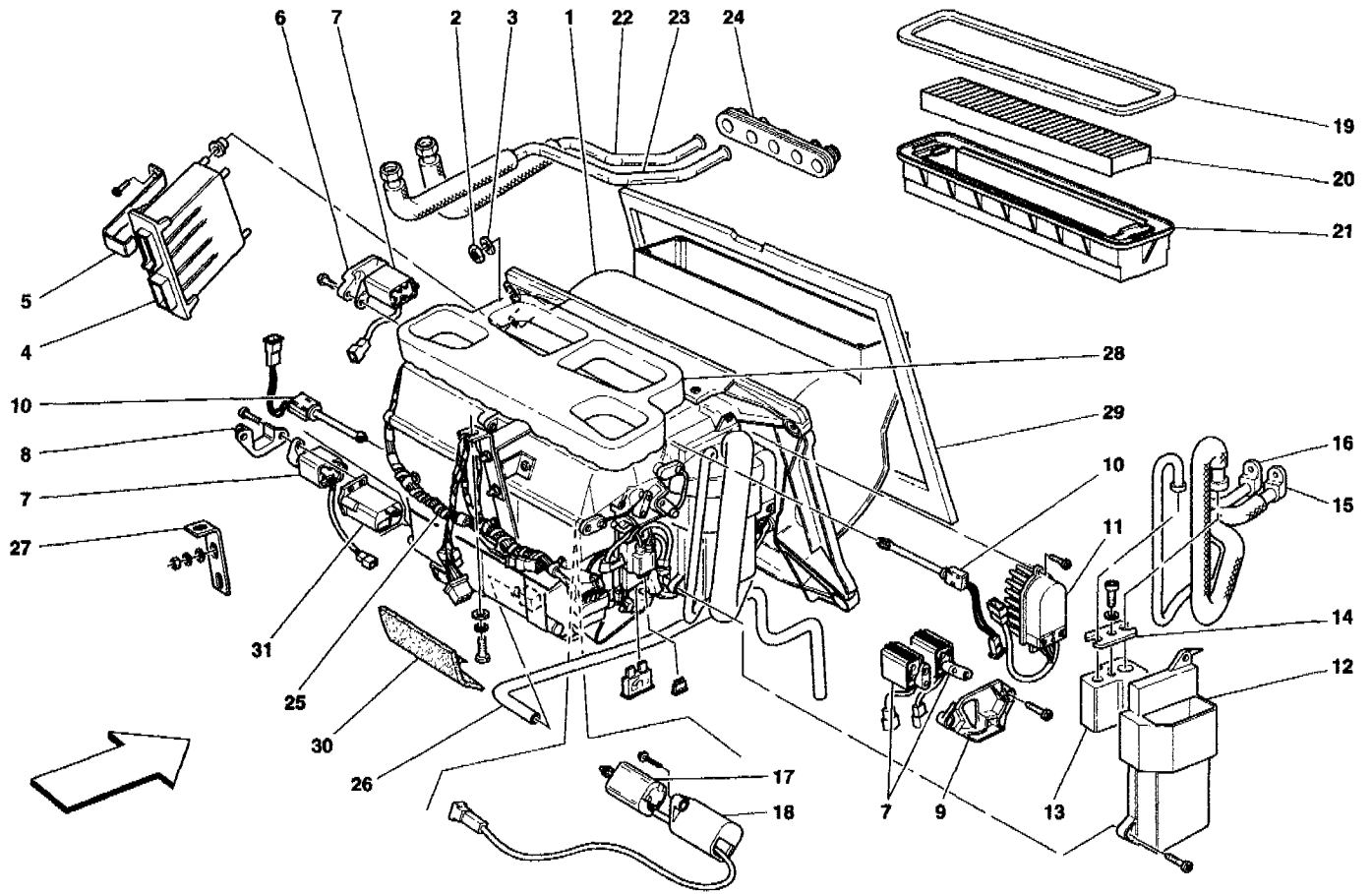
List of homologation plates for the remote control:

Germany/Luxembourg/Austria	Part N° 171281
Belgium	Part N° 171282
Denmark	Part N° 171283
France	Part N° 171284
United Kingdom/Ireland	Part N° 171285
Sweden	Part N° 171286
Switzerland	Part N° 171287
Netherlands	Part N° 171564
Spain/Portugal	Part N° 171565
USA/Canada	Part N° 171566

For the countries not mentioned in the above list, a homologation plate for the remote control is not anticipated.

See "INNER TRIMS CAR CODES" table for codes of parts covered in leather or moquette.

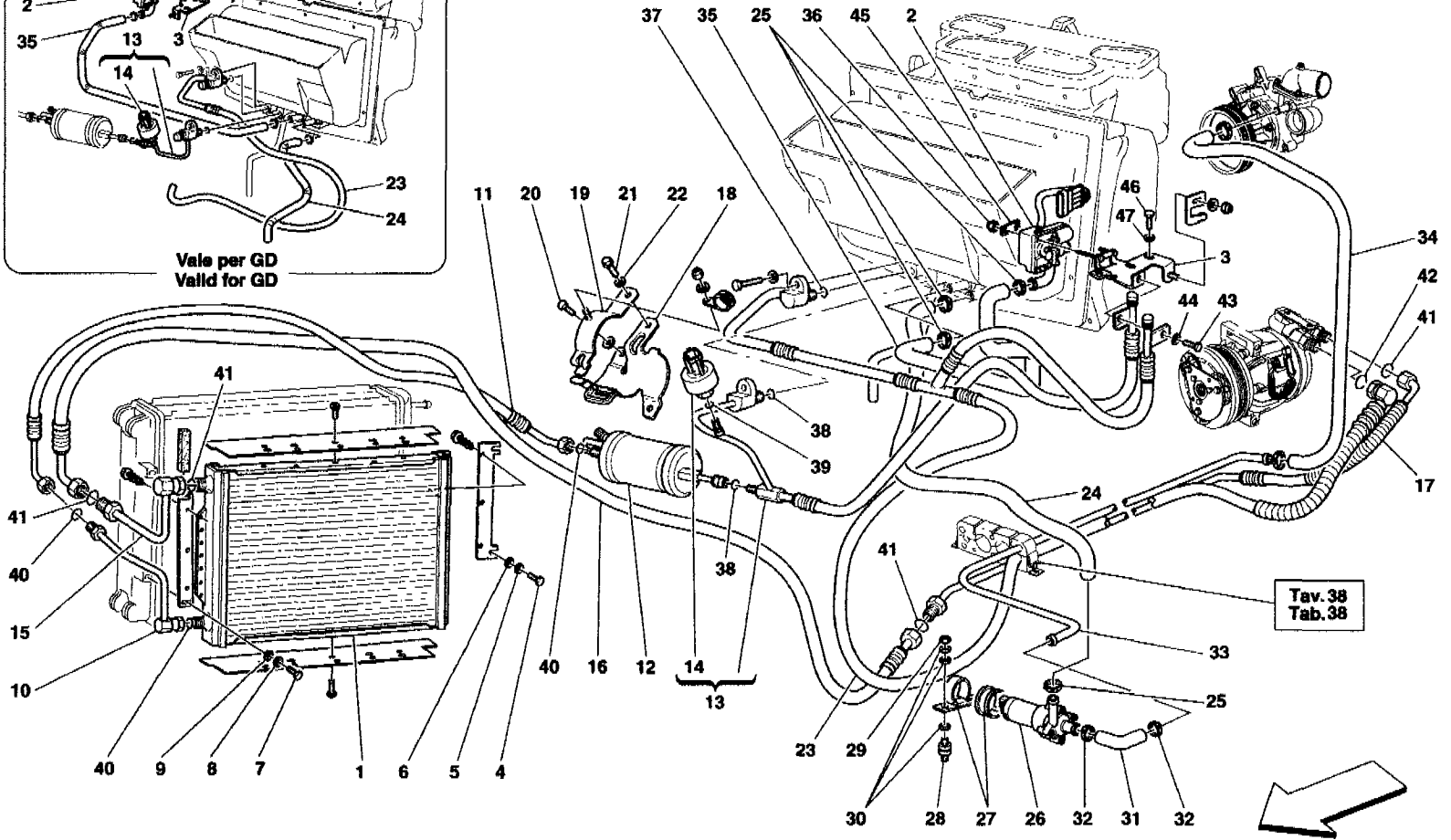
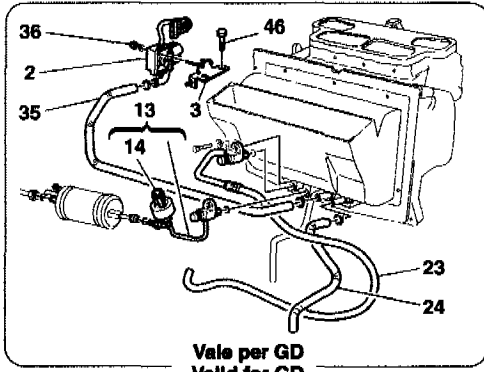
Challenge Stradale - 135 - EVAPORATOR UNIT



Challenge Stradale - 135 - EVAPORATOR UNIT

1	63330900	1	COMPLETE EVAPORATOR SET -Not for GD- -Valid till Ass. Nr. 51196- -Valid till stock exhaustion-
1	68070600	1	COMPLETE EVAPORATOR SET -Not for GD- -Valid from Ass. Nr. 51197- -Valid after stock exhaustion of 63330900-
1	65878700	1	COMPLETE EVAPORATOR SET -Valid for GD- -Valid till Ass. Nr. 51196- -Valid till stock exhaustion-
1	68070700	1	COMPLETE EVAPORATOR SET -Valid for GD- -Valid from Ass. Nr. 51197- -Valid after stock exhaustion of 65878700-
2	147985	4	NUT
3	12646724	4	WASHER
4	168937	1	A.C. ELECTRONIC CONTROL STATION -Valid till Ass. Nr. 51196- -Valid till stock exhaustion-
4	204068	1	A.C. ELECTRONIC CONTROL STATION -Valid from Ass. Nr. 51197- -Valid after stock exhaustion of 168937-
5	66159300	1	ECU FIXING BRACKET
6	66207600	1	FRONT DOOR ACTUATOR FIXING
7	66207300	4	BULHER ACTUATOR
8	66207400	1	FRONT FLOOR ACTUATOR FIXING
9	66159100	1	DEFROST DOOR ACTUATOR FIXING
10	65066600	2	AIR TEMPERATURE SENSOR -Valid till Ass. Nr. 51196- -Valid till stock exhaustion-
10	68154200	2	AIR TEMPERATURE SENSOR -Valid from Ass. Nr. 51197- -Valid after stock exhaustion of 65059100-
11	65230100	1	ELECTRO-BLOWER REGULATOR
12	66158300	1	EVAPORATOR BATTERY COVER
13	65230300	1	EXPANSION VALVE
14	64281500	1	FLANGE
15	66157900	1	PIPE FROM A/C GROUP
16	65229400	1	PIPE FROM EVAPORATOR
17	64280900	1	RECYCLE ELECTRIC MOTOR
18	66159000	1	ACTUATOR SUPPORT
19	65258600	1	GASKET
20	65384300	1	ANTI-POLLEN FILTER
21	65629700	1	A/C GROUP MOBILE DUCTING
22	65229100	1	WATER ENTRY PIPE -Not for GD-
22	66218700	1	WATER ENTRY PIPE -Valid for GD-
23	65229200	1	WATER OUTLET PIPE -Not for GD-
23	66218800	1	WATER OUTLET PIPE -Valid for GD-
24	65374100	1	PIPES GROMMET
25	65229900	1	A/C GROUP ELECTRIC SYSTEM
26	65230200	1	SLEEVE FOR CONDENSATE VENT
27	66159200	1	EVAPORATOR FIXING BRACKET
28	65930900	1	EVAPORATOR UPPER GASKET
29	66207500	1	A/C GROUP SET OF GASKETS
30	159147	1	RUBBER THICKNESS

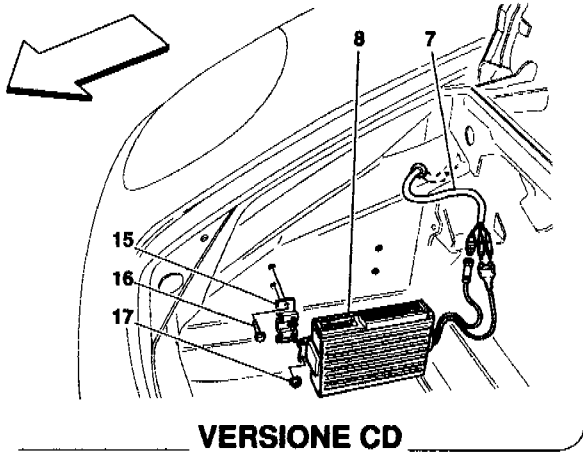
Challenge Stradale - 136 - AIR CONDITIONING SYSTEM



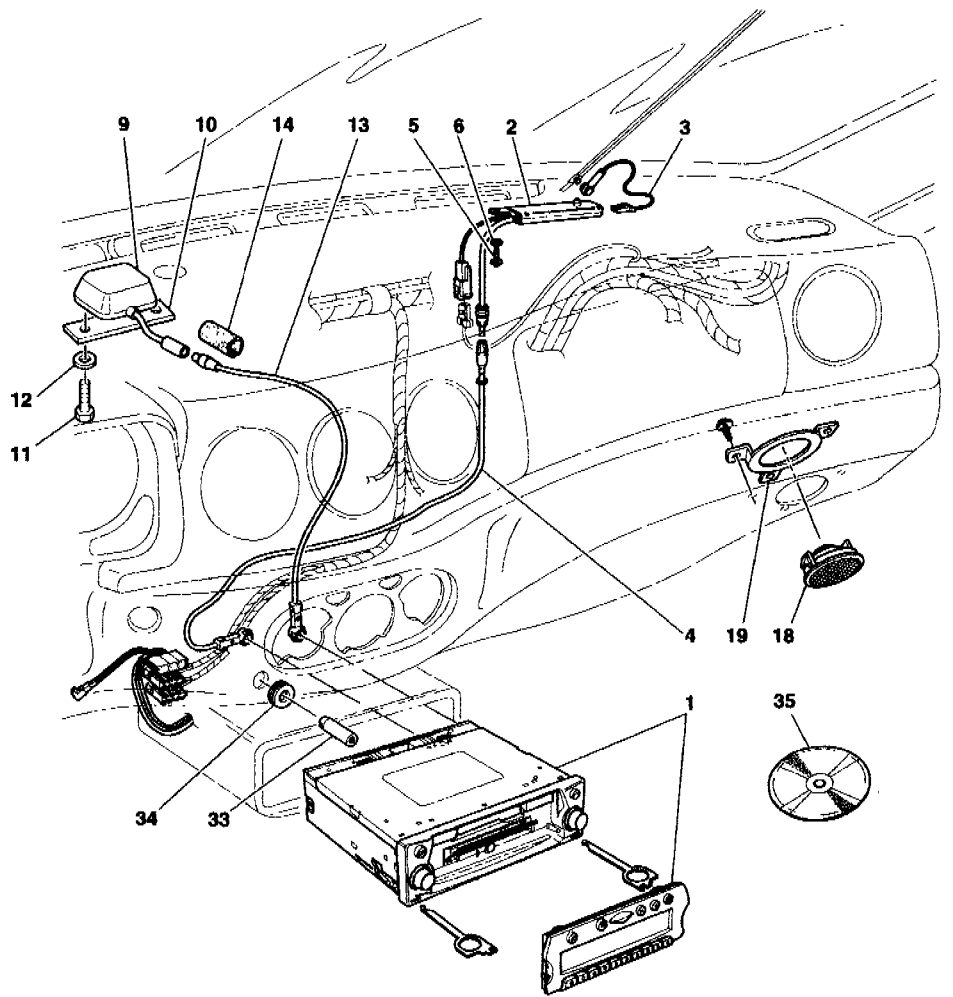
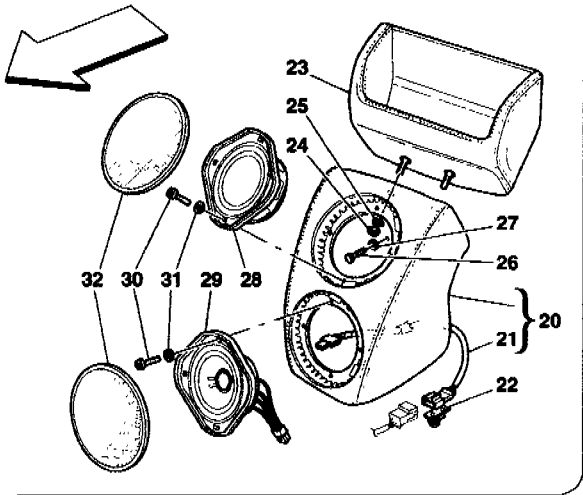
Challenge Stradale - 136 - AIR CONDITIONING SYSTEM

1	178565	1	A.C. CONDENSER
2	65066400	1	TGK VALVE
3	66150300	1	BRACKET FOR VALVE FIXING -Not for GD-
3	65882200	1	BRACKET FOR VALVE FIXING -Valid for GD-
4	10902124	3	SCREW
5	12601274	3	WASHER
6	14496424	3	WASHER
7	60909500	1	SCREW
8	12601274	1	WASHER
9	12643724	1	WASHER
10	65830900	1	DELIVERY METAL PIPE
11	65830700	1	HOSE FROM CONDENSER TO FILTER
12	65628300	1	DEHYDRATING FILTER
13	66147900	1	PIPE FROM FILTER TO A.C. SYSTEM -Not for GD-
13	66643000	1	PIPE FROM FILTER TO A.C. SYSTEM -Not as spare part- -Replaced by 66090200- -Valid for GD-
13	66090200	1	PIPE FROM FILTER TO A.C. SYSTEM -Valid for GD-
14	65628200	1	PRESSOSTAT
15	65830800	1	INLET METAL PIPE
16	65830600	1	PIPE FROM UNDERFLOOR PIPE TO CONDENSER -Not for GD-
16	65744300	1	PIPE FROM UNDERFLOOR PIPE TO CONDENSER -Valid for GD-
17	65230500	1	UNDERFLOOR DELIVERY TUBE FROM COMPRESSOR
18	65539400	1	FILTER SUPPORT -Not for GD-
18	65880700	1	FILTER SUPPORT -Valid for GD-
19	65547700	1	BRACKET -Not for GD-
19	65880900	1	BRACKET -Valid for GD-
20	10902224	2	SCREW
21	13840511	1	SCREW -Not as spare part- -Replaced by 68721400-
21	68721400	1	SCREW
22	12644424	2	WASHER
23	66148000	1	PIPE FROM A.C. SYSTEM TO COMPRESSOR -Not for GD-
23	66643100	1	PIPE FROM A.C. SYSTEM TO COMPRESSOR -Valid for GD-
24	65460800	1	PIPE FROM MINIMUM PUMP TO A.C. SYSTEM -Not for GD-
24	65744600	1	PIPE FROM MINIMUM PUMP TO A.C. SYSTEM -Valid for GD-
25	13000390	4	SCREW COLLAR
26	65460300	1	MINIMUM PUMP
27	63994900	1	COMPLETE BRACKET
28	142202	2	PAD
29	15896214	2	NUT
30	10571570	2	WASHER
31	65460700	1	PIPE FROM UNDERFLOOR PIPE TO MINIMUM PUMP
32	13000390	2	SCREW COLLAR

33	65231400	1	WATER PIPE UNDERFLOOR
34	65831500	1	PIPE FROM WATER PUMP TO UNDRFLOOR PIPE
35	65231700	1	PIPE FROM A.C. HEATER TO TGK VALVE
35	65744700	1	-Not for GD- PIPE FROM A.C. HEATER TO TGK VALVE
36	62790300	2	-Valid for GD- NUT
36	14078010	2	-Not for GD- NUT
37	66309800	1	-Valid for GD- O.R. GASKET
38	66309700	2	O.R. GASKET
39	66309600	1	O.R. GASKET
40	66309300	2	-Not for GD- O.R. GASKET
41	66309400	4	O.R. GASKET
42	66309500	1	O.R. GASKET
43	10977524	1	SCREW
44	11188079	1	-Not for GD- WASHER
45	65929400	1	-Not for GD- SMALL PLATE
46	11193274	2	-Not for GD- SCREW
46	15210624	2	-Not for GD- SCREW
47	11193274	2	-Valid for GD- WASHER
			-Not for GD-



**VERSIONE CD
CD VERSION**



Challenge Stradale - 137 - STEREO EQUIPMENT -OPTIONAL-

1	185202	1	CAR STEREO -With compact disk player- -Not as spare part- -Replaced by 200971-
1	200971	1	CAR STEREO -With compact disk player-
1	189437	1	GPS CAR NAVIGATOR -Optional- -Not for USA, CDN, AUS and J- -Not as spare part- -Replaced by 200966-
1	200966	1	GPS CAR NAVIGATOR -Optional- -Not for USA, CDN, AUS and J-
1	189438	1	GPS CAR NAVIGATOR -Optional- -Valid for USA-
2	201355	1	ANTENNA PRE-AMPLIFIER
3	201353	1	ANTENNA CABLE TO WINDSCREEN
4	201354	1	ANTENNA CABLE TO CAR STEREO
5	16285127	1	SCREW
6	12638177	1	WASHER
7	181321	1	CAR STEREO/CD CHARGER CONNECTION CABLES
8	194414	1	CD CHARGER
9	201356	1	GPS ANTENNA -Optional- -Not for CDN, AUS and J-
10	189920	1	BRACKET FOR GPS ANTENNA FIXING -Optional- -Not for CDN, AUS and J-
11	10389321	2	SCREW -Optional- -Not for CDN, AUS and J-
12	11188079	2	WASHER -Optional- -Not for CDN, AUS and J-
13	201357	1	GPS ANTENNA EXTENSION -Optional- -Not for CDN, AUS and J-
14	179309	1	SPONGE -Optional- -Not for CDN, AUS and J-
15	67196800	1	FRONT BRACKET
15	67197000	1	REAR BRACKET
16	169611	4	SCREW
17	12574011	4	NUT
18	185970	2	LOUD SPEAKER TWEETER
19	66368900	1	R.H. BRACKET
19	66369000	1	L.H. BRACKET
20	677562..	1	SUBWOOFER BOX -Lorica version-
20	672891..	1	SUBWOOFER BOX - Leather version-
21	190455	1	SUBWOOWER BOX CONNECTION CABLE
22	155978	1	CLIP
23	677571..	1	BOX SUBWOOFER CONTAINER -Lorica version-
23	672090..	1	BOX SUBWOOFER CONTAINER - Leather version-
24	113647	2	NUT
25	12638124	2	WASHER
26	10903421	2	SCREW
27	109483	2	WASHER
28	188609	1	LOUD SPEAKER SUBWOOFER WITHOUT MAGNET

29	188610	1	LOUD SPEAKER SUBWOOFER
30	13272077	8	SCREW
31	12637878	8	WASHER
32	66694500	2	LOUD SPEAKER GRILL
33	65540500	1	CENTERING PIN
34	10396380	1	CABLE GROMMET
35	200969	1	CD ROM FOR EUROPA
35	200968	1	CD ROM FOR USA

For particular colour matchings, make order by Fax or E-m@il, specifying serial number. - See "INNER TRIMS CAR CODES" table for codes of parts covered in leather or moquette.