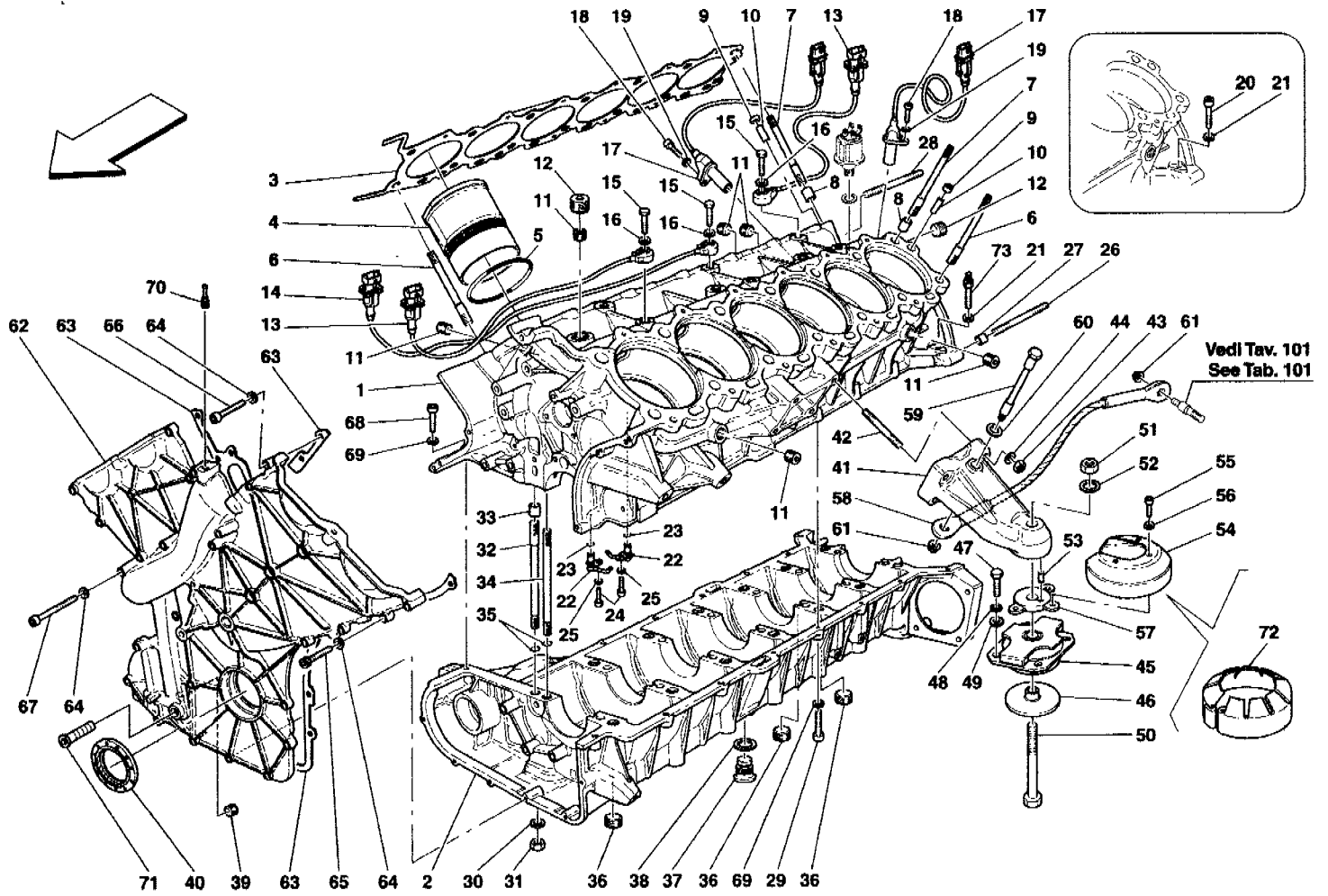


Enzo Ferrari - 1 - CRANKCASE

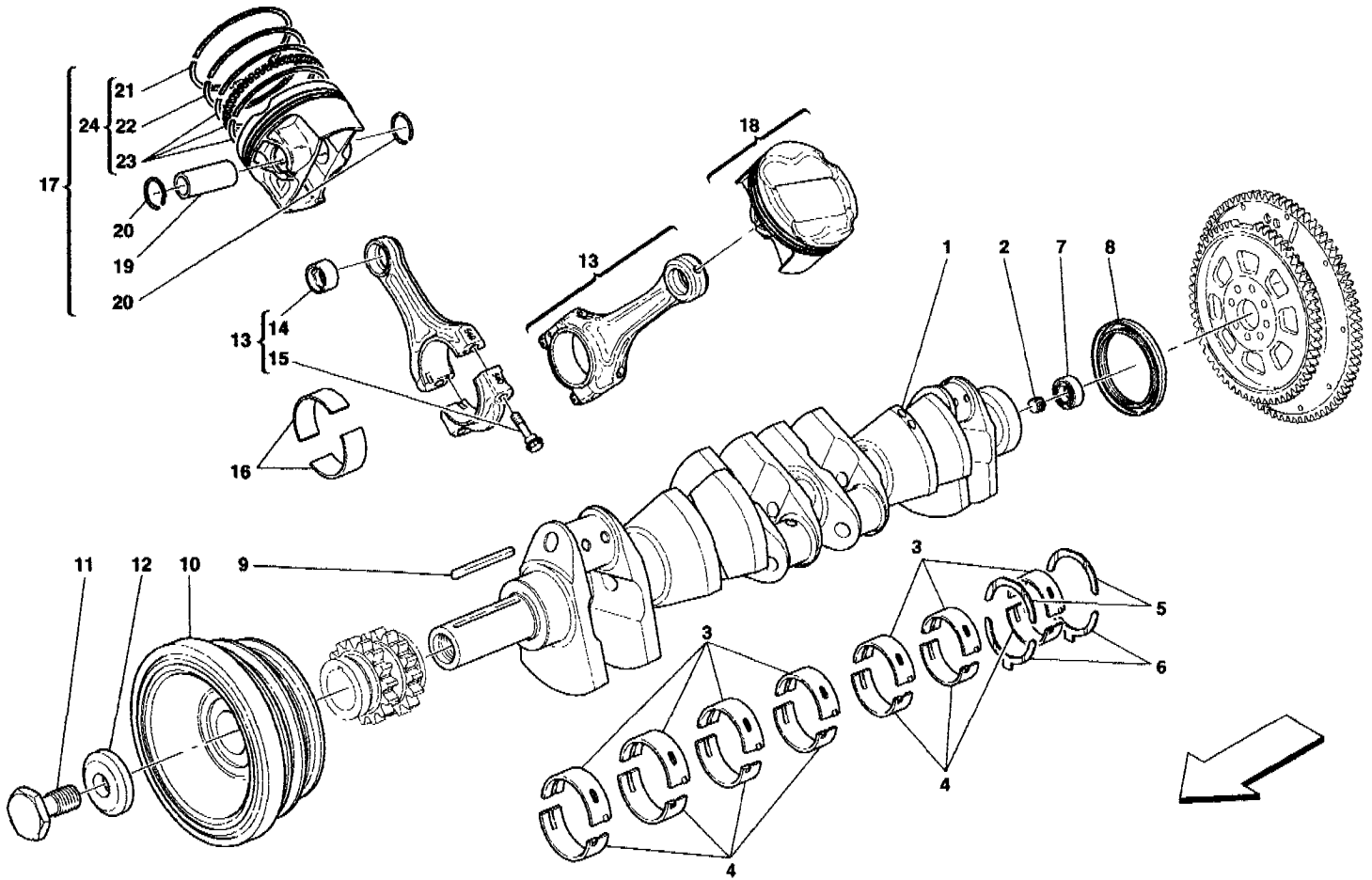


Enzo Ferrari - 1 - CRANKCASE

|    |          |    |  |
|----|----------|----|--|
| *  | 198048   | 1  | COMPLETE CRANKCASE   |
| 1  | 181339   | 1  | ENGINE BASE-PLATE<br>-Not as spare part-   |
| 2  | 186684   | 1  | -With the complete crankcase-<br>COMPLETE UNDERCRANKCASE<br>-Not as spare part-                  |
| 3  | 181832   | 1  | -With the complete crankcase-<br>R.H. GASKET   |
| 3  | 181833   | 1  | L.H. GASKET  |
| 4  | 187806   | 12 | CYLINDER LINER   |
| 5  | 186251   | 36 | O.R. GASKET  |
| 6  | 186134   | 14 | STUD   |
| 7  | 186133   | 14 | STUD   |
| 8  | 185360   | 4  | CENTERING DOWEL  |
| 9  | 195382   | 2  | DOWEL  |
| 10 | 156862   | 2  | NONRETURN VALVE  |
| 11 | 194490   | 7  | THREADED PLUG  |
| 12 | 10269850 | 4  | THREADED PLUG  |
| 13 | 182266   | 4  | SENSOR FOR FIRING<br>-L= 400 mm-   |
| 14 | 181809   | 2  | SENSOR FOR FIRING<br>-L= 650 mm-   |
| 15 | 16043834 | 6  | SCREW  |
| 16 | 11198074 | 6  | WASHER   |
| 17 | 182194   | 2  | ANGOLAR SPEED SENSOR   |
| 18 | 14305724 | 2  | SCREW  |
| 19 | 11197774 | 2  | WASHER   |
| 20 | 14305824 | 2  | SCREW  |
| 21 | 11197774 | 2  | WASHER   |
| 22 | 182973   | 12 | PISTONS COOLING NOZZLE   |
| 23 | 164877   | 12 | O.R. GASKET  |
| 24 | 14302921 | 12 | SCREW  |
| 25 | 11181474 | 12 | WASHER   |
| 26 | 13546934 | 2  | STUD   |
| 27 | 100052   | 2  | CENTERING DOWEL  |
| 28 | 13546734 | 5  | STUD   |
| 29 | 14305424 | 12 | SCREW<br>-L= 25 mm-  |
| 29 | 14305324 | 1  | SCREW<br>-L= 20 mm-  |
| 30 | 178348   | 28 | WASHER   |
| 31 | 133988   | 28 | NUT  |
| 32 | 185084   | 14 | STUD   |
| 33 | 176421   | 14 | CENTERING DOWEL  |
| 34 | 190426   | 14 | STUD   |
| 35 | 134704   | 28 | O.R. GASKET  |
| 36 | 10269850 | 3  | THREADED PLUG  |
| 37 | 104280   | 1  | OIL OUTLET PLUG  |
| 38 | 10263460 | 1  | GASKET<br>-Not as spare part-  |
| 38 | 10261860 | 1  | -Replaced by 10261860-<br>GASKET   |
| 39 | 194490   | 1  | THREADED PLUG  |
| 40 | 188717   | 1  | GASKET   |
| 41 | 186307   | 2  | ENGINE FIXING SUPPORT  |
| 42 | 13546624 | 8  | STUD   |
| 43 | 133988   | 8  | NUT  |
| 44 | 11190574 | 8  | WASHER   |
| 45 | 190255   | 2  | FLEXIBLE PAD   |
| 46 | 182141   | 2  | RETAINING WASHER<br>-Valid till engine Nr. 77489-  |
| 46 | 204086   | 2  | -Not as spare part-<br>-Replaced by 204086-<br>RETAINING WASHER<br>-Valid from engine Nr. 77490- |
| 47 | 15970634 | 8  | -Replaces 182141-<br>SCREW   |
| 48 | 127497   | 8  | WASHER   |

|    |          |    |                                 |
|----|----------|----|---------------------------------|
| 49 | 13550424 | 8  | WASHER                          |
| 50 | 15864334 | 2  | SCREW                           |
| 51 | 176573   | 2  | NUT                             |
| 52 | 12601774 | 2  | WASHER                          |
| 53 | 125716   | 2  | CENTERING DOWEL                 |
| 54 | 189819   | 2  | SHIELD                          |
| 55 | 14305024 | 6  | SCREW                           |
| 56 | 12604274 | 6  | WASHER                          |
| 57 | 188853   | 2  | SPACER FOR SHIELD               |
| 58 | 191430   | 2  | ENGINE HOLDING CABLE            |
|    |          |    | -Not as spare part now-         |
|    |          |    | -Replaced by 201868 and 201869- |
| 58 | 201868   | 1  | R.H. ENGINE HOLDING CABLE       |
| 58 | 201869   | 1  | L.H. ENGINE HOLDING CABLE       |
| 59 | 193849   | 2  | SCREW                           |
| 60 | 10523225 | 2  | WASHER                          |
| 61 | 133216   | 4  | NUT                             |
| 62 | 190486   | 1  | FRONT COVER                     |
| 63 | 190487   | 1  | FRONT COVER GASKET              |
| 64 | 11197774 | 33 | WASHER                          |
| 65 | 14305324 | 2  | SCREW                           |
|    |          |    | -L= 20 mm-                      |
| 65 | 14305424 | 15 | SCREW                           |
|    |          |    | -L= 25 mm-                      |
| 66 | 14305524 | 3  | SCREW                           |
|    |          |    | -L= 30 mm-                      |
| 66 | 14305624 | 6  | SCREW                           |
|    |          |    | -L= 35 mm-                      |
| 67 | 14305824 | 2  | SCREW                           |
|    |          |    | -L= 40 mm-                      |
| 67 | 14305924 | 1  | SCREW                           |
|    |          |    | -L= 45 mm-                      |
| 67 | 14306024 | 4  | SCREW                           |
|    |          |    | -L= 50 mm-                      |
| 68 | 14305324 | 1  | SCREW                           |
| 69 | 11197774 | 14 | WASHER                          |
| 70 | 155093   | 1  | THREADED UNION                  |
| 71 | 158025   | 1  | THREADED UNION                  |
| 72 | 206943   | 2  | HEAT SHIELD                     |
| 73 | 198871   | 1  | STUD                            |

Enzo Ferrari - 2 - DRIVING SHAFT - CONNECTING RODS AND PISTONS

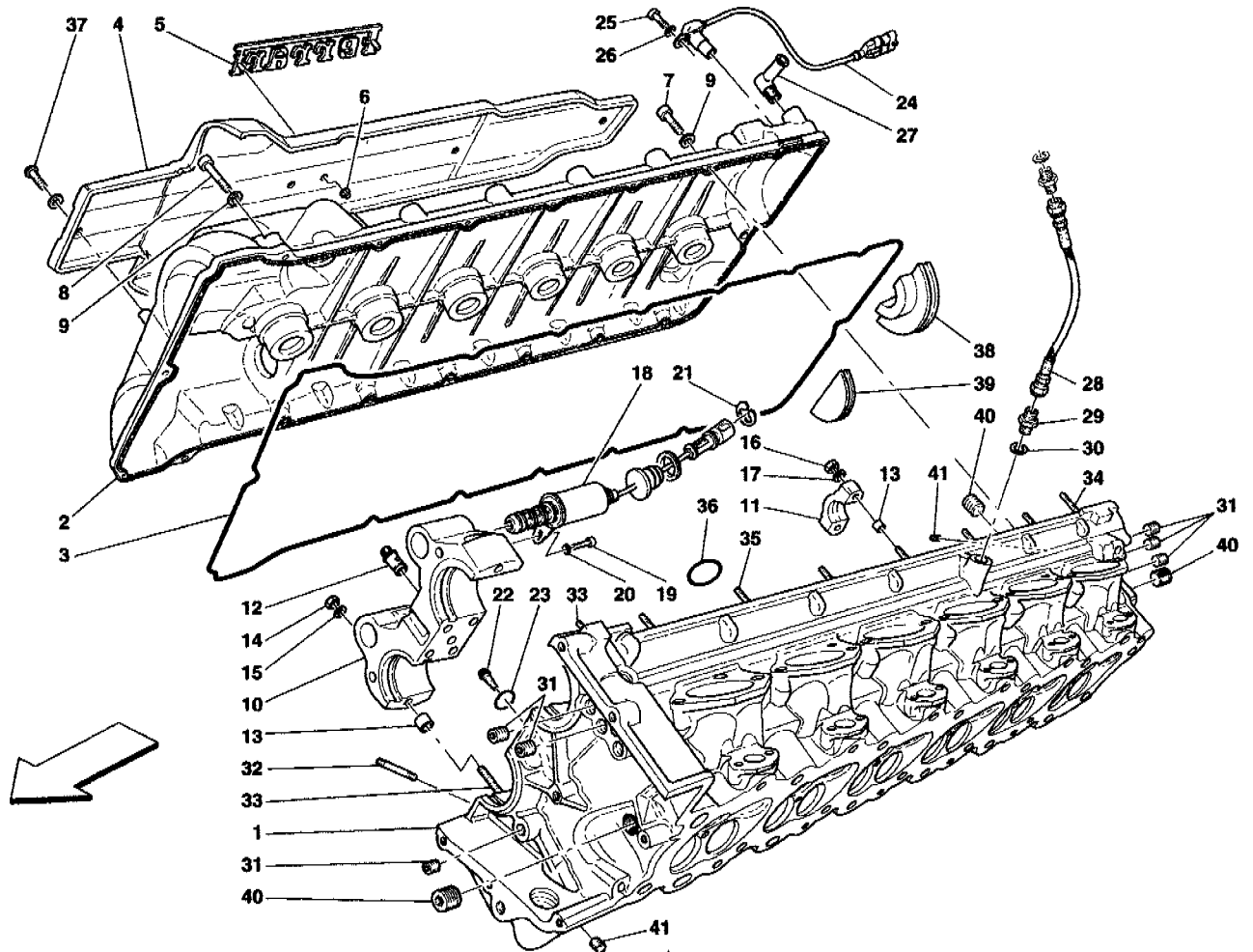


Enzo Ferrari - 2 - DRIVING SHAFT - CONNECTING RODS AND PISTONS

|    |        |    |  |
|----|--------|----|--|
| 1  | 186925 | 1  | CRANKSHAFT   |
| 2  | 163528 | 1  | THREADED PLUG  |
| *  | 198440 | 1  | HALF-BEARINGS COMPLETE SERIES<br>-STANDARD SIZE-<br>-Red-                                      |
| 3  | 174716 | 7  | UPPER HALF BEARING<br>-Red-<br>-Not as spare part-<br>-With the half-bearings complete series- |
| 4  | 174739 | 7  | LOWER HALF BEARING<br>-Red-<br>-Not as spare part-<br>-With the half-bearings complete series- |
| 5  | 179539 | 2  | UPPER SPACER<br>-Standard-<br>-Not as spare part-<br>-With the half-bearings complete series-  |
| 6  | 189724 | 2  | LOWER SPACER<br>-Standard-<br>-Not as spare part-<br>-With the half-bearings complete series-  |
| 7  | 103877 | 1  | BEARING FOR SHAFT  |
| 8  | 163989 | 1  | GASKET<br>-Not as spare part-<br>-Replaced by 200323-  |
| 8  | 200323 | 1  | GASKET   |
| 9  | 190981 | 1  | KEY  |
| 10 | 186235 | 1  | TORSION DAMPER   |
| 11 | 140925 | 1  | SCREW  |
| 12 | 140922 | 1  | WASHER   |
| 13 | 182497 | 12 | COMPLETE CONNECTING ROD<br>AND CAP   |
| 14 | 183811 | 12 | BUSHING  |
| 15 | 177159 | 24 | CONNECTING ROD<br>TIGHTENING SCREW   |
| 16 | 176150 | 24 | CONNECTING ROD HALF<br>BEARING   |
| 16 | 176151 | 24 | CONNECTING ROD HALF<br>BEARING<br>-1st oversize mm 0,254-                                      |
| 16 | 176152 | 24 | CONNECTING ROD HALF<br>BEARING<br>-2st oversize mm 0,508-                                      |
| 16 | 176153 | 24 | CONNECTING ROD HALF<br>BEARING<br>-3st oversize mm 0,762-                                      |
| 16 | 182965 | 24 | CONNECTING ROD HALF<br>BEARING<br>-Blue-   |
| 16 | 190265 | 24 | CONNECTING ROD HALF<br>BEARING<br>-Yellow-   |
| 17 | 186772 | 6  | R.H. PISTON WITH RINGS   |
| 18 | 186771 | 6  | L.H. PISTON WITH RINGS   |
| 19 | 175367 | 12 | PIN  |
| 20 | 178890 | 24 | STOP RING  |
| 21 | 175612 | 12 | AC SEAL RING<br>(1nd groove)<br>-Not as spare part-<br>-With the pistons rings set-            |
| 22 | 187201 | 12 | AC SEAL RING<br>(2nd groove)<br>-Not as spare part-<br>-With the pistons rings set-            |
| 23 | 175614 | 12 | ROF OIL SCRAPING RING<br>(3rd groove)<br>-Not as spare part-<br>-With the pistons rings set-   |



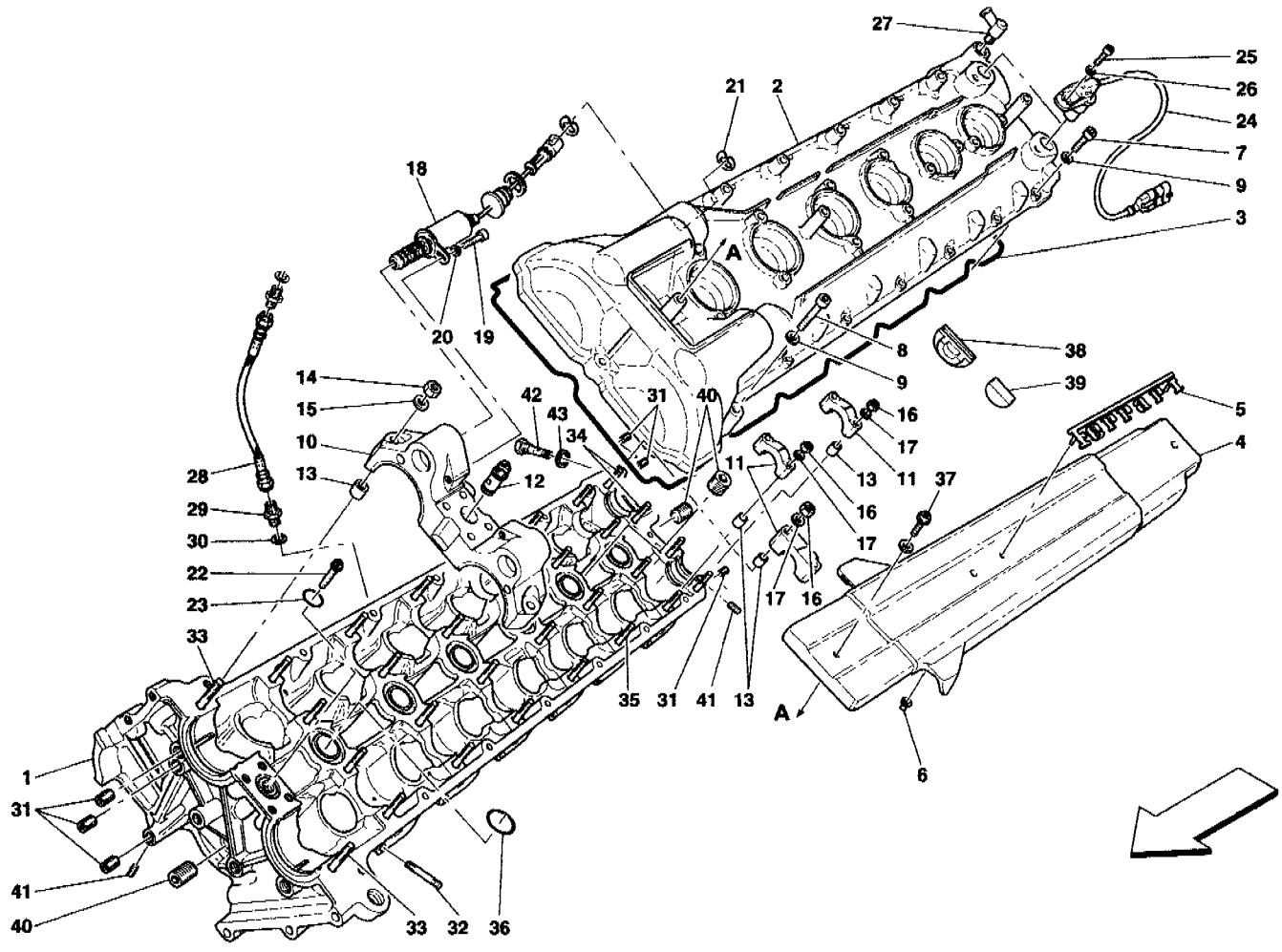
Enzo Ferrari - 3 - R.H. CYLINDER HEAD



Enzo Ferrari - 3 - R.H. CYLINDER HEAD

|    |          |    |   |
|----|----------|----|---|
| *  | 198020   | 1  | COMPLETE R.H. CYLINDERS HEAD  |
| 1  | 186428   | 1  | R.H. HEAD<br>-Not as spare part-<br>-With the complete cylinders head 198020- |
| 2  | 181834   | 1  | R.H. CYLINDERS HEAD COVER   |
| 3  | 195369   | 1  | R.H. HEAD COVER GASKET  |
| 4  | 192456   | 1  | CABLES SMALL COVER  |
| 5  | 61025000 | 1  | "FERRARI" MARK  |
| 6  | 60324506 | 2  | CLIP  |
| 7  | 157218   | 14 | SCREW   |
| 8  | 156830   | 2  | SCREW   |
| 9  | 11197774 | 16 | WASHER  |
| 10 | -        | 1  | FRONT CAP<br>-Not as spare part-<br>-With the complete cylinders head 198020- |
| 11 | -        | 14 | CAP<br>-Not as spare part-<br>-With the complete cylinders head 198020-       |
| 12 | 188142   | 1  | PRESSURE CONTROL VALVE  |
| 13 | 102032   | 30 | CENTERING DOWEL   |
| 14 | 16100814 | 2  | NUT<br>-Not as spare part-<br>-Replaced by 16100812-                          |
| 14 | 16100812 | 2  | NUT   |
| 15 | 11193874 | 2  | WASHER  |
| 16 | 15896211 | 28 | NUT   |
| 17 | 11197774 | 28 | WASHER  |
| 18 | 186563   | 2  | VARIATOR CONTROL SOLENOID VALVE   |
| 19 | 14433124 | 2  | SCREW   |
| 20 | 11197774 | 2  | WASHER  |
| 21 | 11087374 | 2  | FLEXIBLE RING   |
| 22 | 180266   | 1  | OIL FILTER  |
| 23 | 134233   | 1  | GASKET  |
| 24 | 177673   | 2  | PHASE SENSOR  |
| 25 | 14305224 | 2  | SCREW   |
| 26 | 11197774 | 2  | WASHER  |
| 27 | 195510   | 1  | THREADED UNION  |
| 28 | 187535   | 1  | OIL HOSE FROM HEAD TO SUCTION MANIFOLD  |
| 29 | 182426   | 1  | THREADED UNION  |
| 30 | 10261060 | 1  | GASKET  |
| 31 | 194495   | 6  | THREADED PLUG<br>-Not as spare part now-<br>-Replaced by 14326001-            |
| 31 | 14326001 | 6  | THREADED PLUG   |
| 32 | 13543524 | 12 | STUD  |
| 33 | 13543821 | 2  | STUD  |
| 34 | 11501021 | 2  | STUD  |
| 35 | 13541521 | 26 | STUD  |
| 36 | 148225   | 6  | O.R. GASKET   |
| 37 | 65377400 | 3  | SCREW   |
| 38 | 180109   | 1  | COVER GASKET  |
| 39 | 180110   | 1  | COVER GASKET  |
| 40 | 127635   | 9  | THREADED PLUG   |
| 41 | 194493   | 2  | THREADED PLUG<br>-Not as spare part now-<br>-Replaced by 141563-              |
| 41 | 141563   | 2  | THREADED PLUG   |

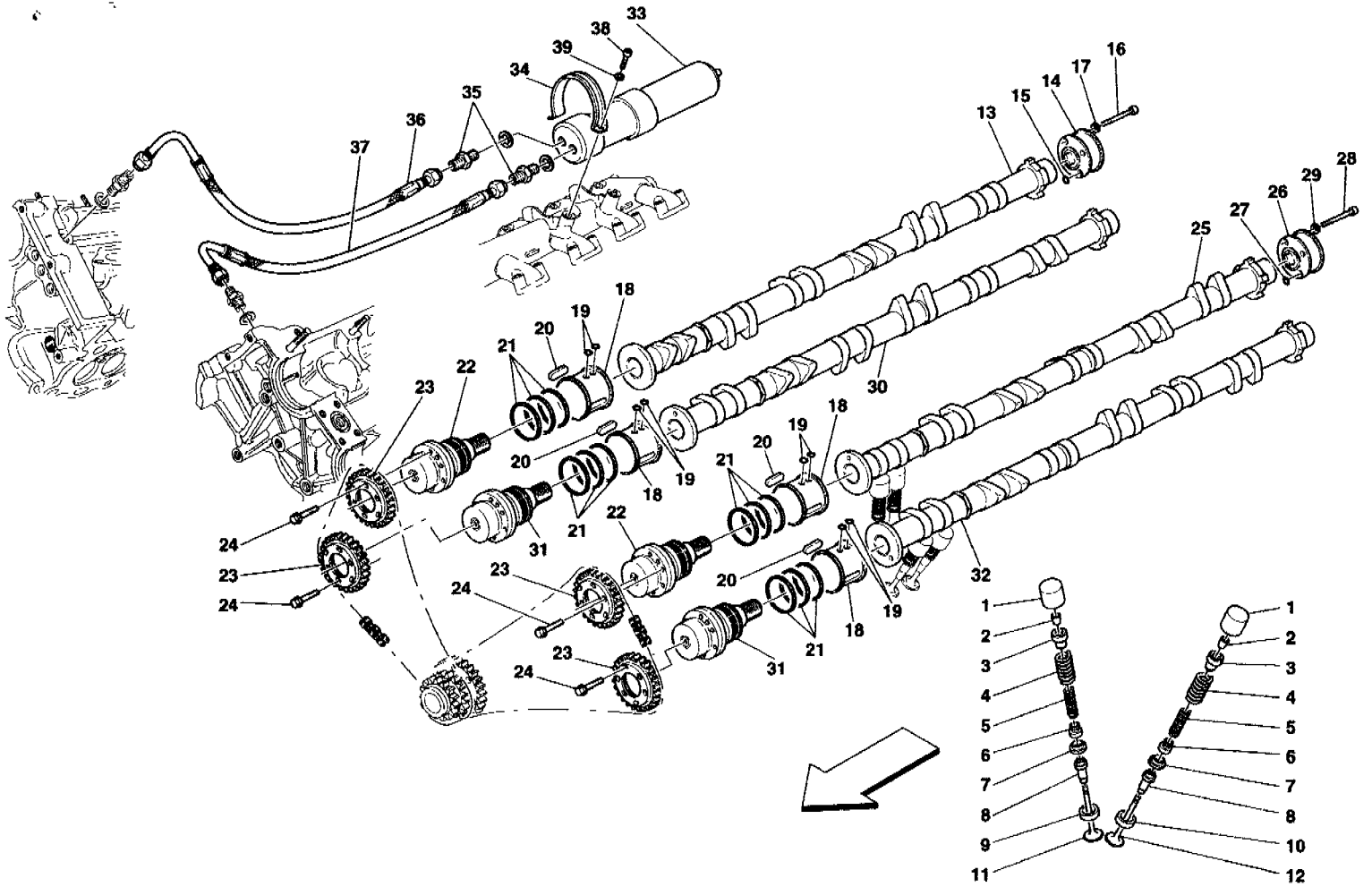
Enzo Ferrari - 4 - L.H. CYLINDER HEAD



Enzo Ferrari - 4 - L.H. CYLINDER HEAD

|    |          |    |  |
|----|----------|----|--|
| *  | 198021   | 1  | COMPLETE L.H. CYLINDERS<br>HEAD  |
| 1  | 186429   | 1  | L.H. HEAD<br>-Not as spare part-<br>-With the complete cylinders head<br>198021- |
| 2  | 181835   | 1  | L.H. CYLINDERS HEAD COVER  |
| 3  | 195370   | 1  | L.H. HEAD COVER GASKET   |
| 4  | 192456   | 1  | CABLES SMALL COVER   |
| 5  | 61025000 | 1  | "FERRARI" MARK   |
| 6  | 60324506 | 2  | CLIP   |
| 7  | 157218   | 14 | SCREW  |
| 8  | 156830   | 2  | SCREW  |
| 9  | 11197774 | 16 | WASHER   |
| 10 | -        | 1  | FRONT CAP<br>-Not as spare part-<br>-With the complete cylinders head<br>198021- |
| 11 | -        | 14 | CAP<br>-Not as spare part-<br>-With the complete cylinders head<br>198021-       |
| 12 | 188142   | 1  | PRESSURE CONTROL VALVE   |
| 13 | 102032   | 30 | CENTERING DOWEL  |
| 14 | 16100814 | 2  | NUT<br>-Not as spare part-<br>-Replaced by 16100812-                             |
| 14 | 16100812 | 2  | NUT  |
| 15 | 11193874 | 2  | WASHER   |
| 16 | 15896211 | 28 | NUT  |
| 17 | 11197774 | 28 | WASHER   |
| 18 | 186563   | 2  | VARIATOR CONTROL SOLENOID<br>VALVE   |
| 19 | 14433124 | 2  | SCREW  |
| 20 | 11197774 | 2  | WASHER   |
| 21 | 11087374 | 2  | FLEXIBLE RING  |
| 22 | 180266   | 1  | OIL FILTER   |
| 23 | 134233   | 1  | GASKET   |
| 24 | 177673   | 2  | PHASE SENSOR   |
| 25 | 14305224 | 2  | SCREW  |
| 26 | 11197774 | 2  | WASHER   |
| 27 | 195510   | 1  | THREADED UNION   |
| 28 | 187535   | 1  | OIL HOSE FROM HEAD TO<br>SUCTION MANIFOLD  |
| 29 | 182426   | 1  | THREADED UNION   |
| 30 | 10261060 | 1  | GASKET   |
| 31 | 194495   | 6  | THREADED PLUG<br>-Not as spare part now-<br>-Replaced by 14326001-               |
| 31 | 14326001 | 6  | THREADED PLUG  |
| 32 | 13543524 | 12 | STUD   |
| 33 | 13543821 | 2  | STUD   |
| 34 | 11501021 | 2  | STUD   |
| 35 | 13541521 | 26 | STUD   |
| 36 | 148225   | 6  | O.R. GASKET  |
| 37 | 65377400 | 3  | SCREW  |
| 38 | 180109   | 1  | COVER GASKET   |
| 39 | 180110   | 1  | COVER GASKET   |
| 40 | 127635   | 9  | THREADED PLUG  |
| 41 | 194493   | 2  | THREADED PLUG<br>-Not as spare part now-<br>-Replaced by 141563-                 |
| 41 | 141563   | 2  | THREADED PLUG  |
| 42 | 180267   | 1  | NONRETURN VALVE  |
| 43 | 10261060 | 1  | GASKET   |

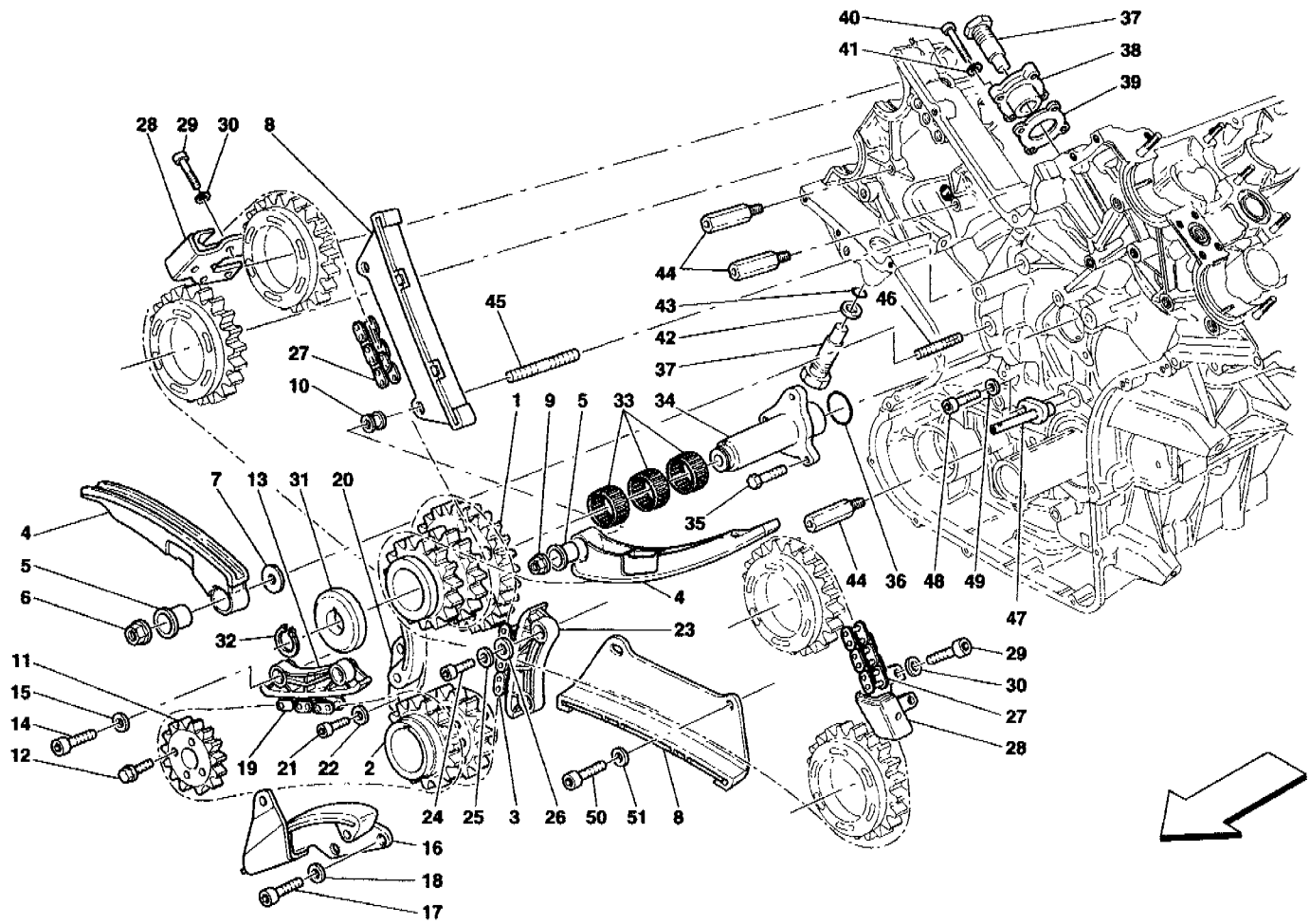
Enzo Ferrari - 5 - TIMING - TAPPETS AND SHAFTS



Enzo Ferrari - 5 - TIMING - TAPPETS AND SHAFTS

|    |          |    |                                       |
|----|----------|----|---------------------------------------|
| 1  | 193631   | 48 | TAPPET FOR VALVE CONTROL              |
| 2  | 179763   | 96 | COTTER FOR VALVE SPRING CUP           |
| 3  | 187489   | 48 | UPPER CUP                             |
| 4  | 188849   | 48 | OUTER SPRING FOR VALVE RETURN         |
| 5  | 184055   | 48 | INNER SPRING FOR VALVE RETURN         |
| 6  | 148153   | 48 | OIL RING FOR VALVE GUIDE              |
| 7  | 190388   | 48 | LOWER CUP                             |
|    |          |    | -Not as spare part-                   |
|    |          |    | -Replaced by 204178-                  |
| 7  | 204178   | 48 | LOWER CUP                             |
| 7  | 204179   | 48 | LOWER CUP                             |
|    |          |    | -OVERSIZED-                           |
| 8  | 172328   | 48 | VALVE GUIDE                           |
| 8  | 172452   | 48 | VALVE GUIDE                           |
|    |          |    | -OVERSIZED-                           |
| 9  | 175381   | 24 | INTAKE VALVE SEAT                     |
| 10 | 179959   | 24 | EXHAUST VALVE SEAT                    |
| 11 | 190525   | 24 | INTAKE VALVE                          |
| 12 | 189351   | 24 | EXHAUST VALVE                         |
| 13 | 187848   | 1  | R.H. INDUCTION DISTRIBUTION CAM SHAFT |
| 14 | 186321   | 1  | R.H. VARIATOR OIL PUMP                |
| 15 | 134701   | 2  | O.R. GASKET                           |
| 16 | 14303474 | 4  | SCREW                                 |
| 17 | 106848   | 4  | WASHER                                |
| 18 | 190123   | 4  | BUSHING FOR VARIATORS                 |
|    |          |    | -Valid till stock exhaustion-         |
| 18 | 206785   | 4  | BUSHING FOR VARIATORS                 |
| 19 | 134701   | 8  | GASKET                                |
| 20 | 14721120 | 4  | KEY                                   |
| 21 | 185288   | 12 | GASKET                                |
| 22 | 187820   | 2  | INDUCTION PHASE VARIATOR              |
| 23 | 193527   | 4  | TOOTHED WHEEL                         |
| 24 | 194977   | 20 | SCREW                                 |
| 25 | 187850   | 1  | L.H. INDUCTION DISTRIBUTION CAM SHAFT |
| 26 | 186322   | 1  | L.H. VARIATOR OIL PUMP                |
| 27 | 134701   | 2  | O.R. GASKET                           |
| 28 | 14303474 | 4  | SCREW                                 |
| 29 | 106848   | 4  | WASHER                                |
| 30 | 187849   | 1  | R.H. EXHAUST CAM SHAFT                |
| 31 | 185422   | 2  | EXHAUST PHASE VARIATOR                |
| 32 | 187851   | 1  | L.H. EXHAUST CAM SHAFT                |
| 33 | 184188   | 1  | OIL ACCUMULATOR                       |
| 34 | 184800   | 2  | BRACKET FIXING ACCUMULATOR            |
| 35 | 182426   | 2  | THREADED UNION                        |
| 36 | 192823   | 1  | R.H. OIL PIPE                         |
| 37 | 187534   | 1  | L.H. OIL PIPE                         |
| 38 | 14305724 | 4  | SCREW                                 |
| 39 | 11197774 | 4  | WASHER                                |

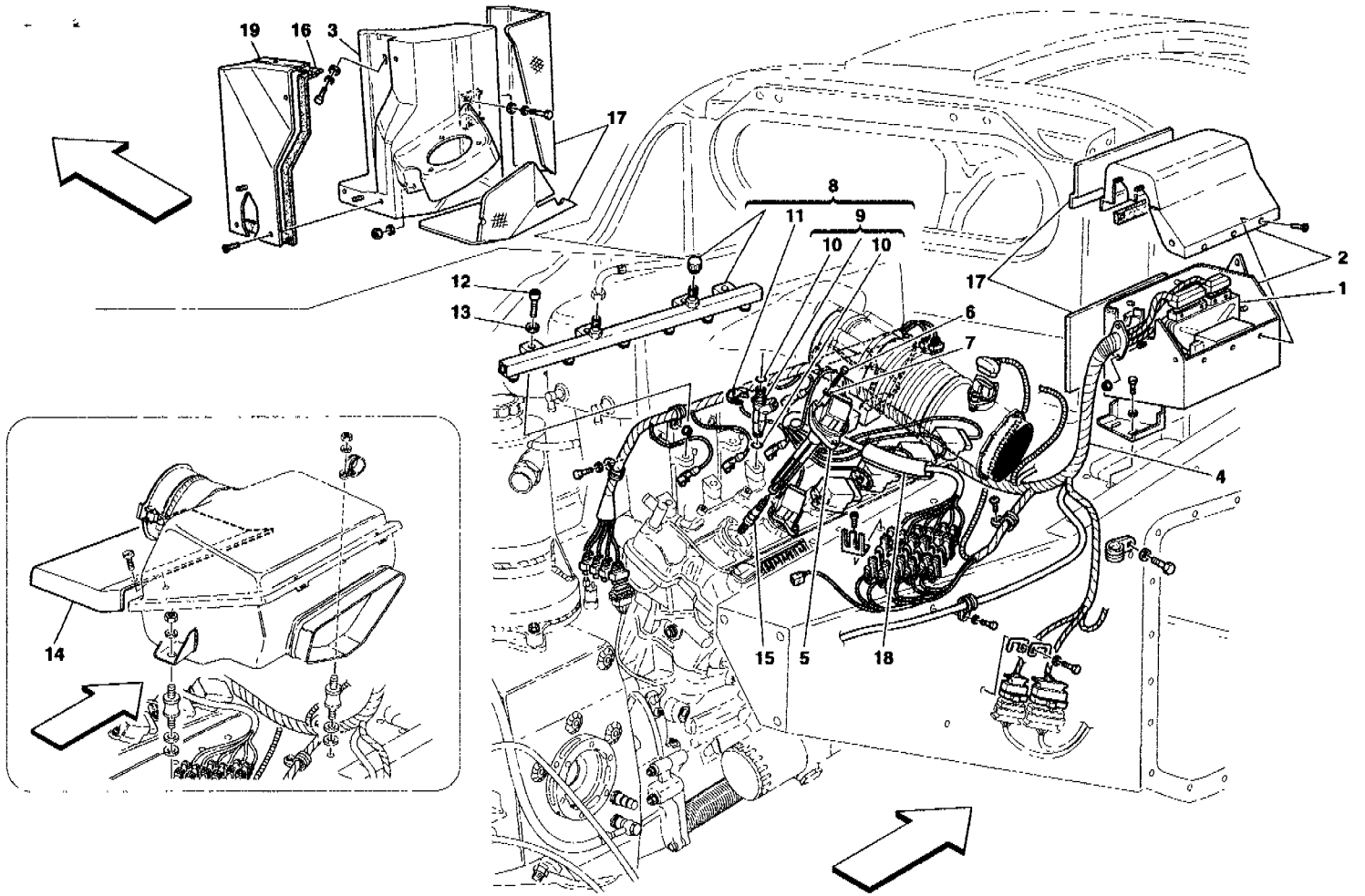
Enzo Ferrari - 6 - TIMING - CONTROLS



Enzo Ferrari - 6 - TIMING - CONTROLS

|    |          |   |                            |
|----|----------|---|----------------------------|
| 1  | 193528   | 1 | TRANSMISSION TOOTHED WHEEL |
| 2  | 186854   | 1 | CRANKSHAFT TOOTHED WHEEL   |
| 3  | 175286   | 1 | TRANSMISSION CHAIN         |
| 4  | 183761   | 2 | MOBILE GUIDE SHOE          |
| 5  | 175303   | 2 | BUSHING                    |
| 6  | 177778   | 1 | NUT                        |
| 7  | 175306   | 1 | WASHER                     |
| 8  | 186185   | 2 | FIXED TENSION              |
| 9  | 177778   | 1 | NUT                        |
| 10 | 183929   | 1 | BUSHING                    |
| 11 | 187656   | 1 | TOOTHED WHEEL CONTROL PUMP |
| 12 | 186668   | 4 | SCREW                      |
| 13 | 186186   | 1 | FIXED TENSION              |
| 14 | 14305424 | 2 | SCREW                      |
| 15 | 11197774 | 2 | WASHER                     |
| 16 | 192922   | 1 | SUPPORT                    |
| 17 | 14305624 | 2 | SCREW                      |
| 18 | 11197774 | 2 | WASHER                     |
| 19 | 175314   | 1 | PUMPS CONTROL CHAIN        |
| 20 | 186159   | 1 | COMPLETE SUPPORT           |
| 21 | 14305724 | 2 | SCREW                      |
| 22 | 11197774 | 2 | WASHER                     |
| 23 | 186181   | 1 | FIXED TENSION              |
| 24 | 14432224 | 2 | SCREW                      |
| 25 | 11197774 | 2 | WASHER                     |
| 26 | 12647624 | 2 | WASHER                     |
| 27 | 193529   | 2 | TIMING CONTROL CHAIN       |
| 28 | 189569   | 2 | UPPER FIXED TENSION        |
| 29 | 14305934 | 8 | SCREW                      |
| 30 | 11197774 | 8 | WASHER                     |
| 31 | 190134   | 1 | SHOULDER                   |
| 32 | 11066876 | 1 | SEEGER RING                |
| 33 | 187742   | 3 | ROLLER CAGE                |
| 34 | 190133   | 1 | TRANSMISSION SUPPORT       |
| 35 | 181336   | 3 | SCREW                      |
| 36 | 148225   | 1 | O.R. GASKET                |
| 37 | 180316   | 2 | HYDRAULIC TIGHTENER        |
| 38 | 190060   | 1 | BUSH FOR TIGHTENER         |
| 39 | 185854   | 1 | GASKET                     |
| 40 | 14432224 | 4 | SCREW                      |
| 41 | 11197774 | 4 | WASHER                     |
| 42 | 190171   | 1 | SPACER                     |
| 43 | 192069   | 1 | O.R. GASKET                |
| 44 | 175410   | 3 | STUD                       |
| 45 | 13543824 | 1 | STUD                       |
| 46 | 13543124 | 1 | STUD                       |
| 47 | 187818   | 1 | JET                        |
| 48 | 14305224 | 1 | SCREW                      |
| 49 | 11197774 | 1 | WASHER                     |
| 50 | 14306224 | 3 | SCREW                      |
| 51 | 11193874 | 3 | WASHER                     |

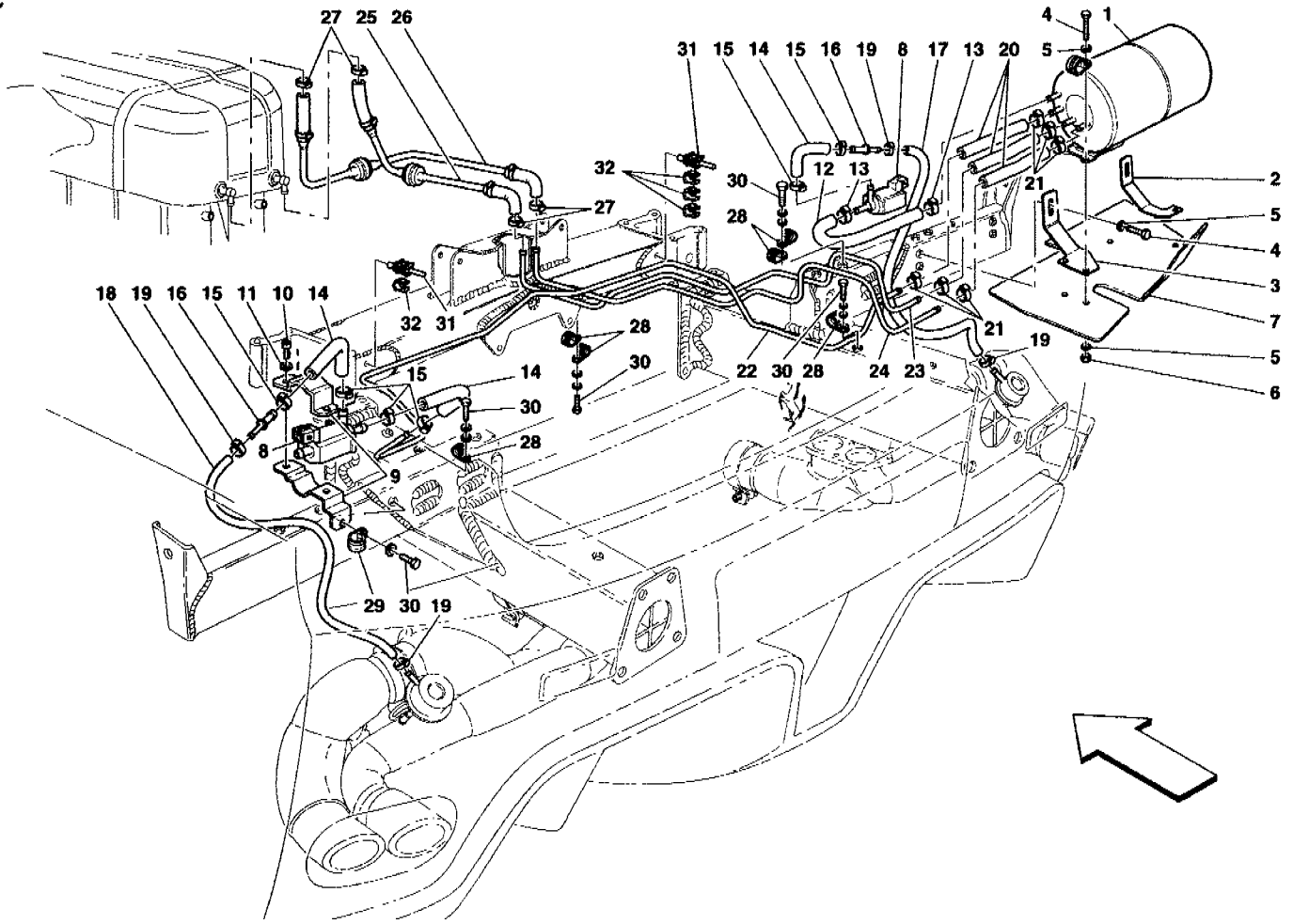
Enzo Ferrari - 7 - INJECTION - IGNITION DEVICE



Enzo Ferrari - 7 - INJECTION - IGNITION DEVICE

|    |          |    |   |
|----|----------|----|---|
| 1  | 185257   | 2  | CONTROL UNIT IGNITION<br>-Not for USA and CDN-  |
| 1  | 192748   | 2  | CONTROL UNIT IGNITION<br>-Valid for USA and CDN-  |
| 2  | 191407   | 1  | R.H. CONTROL STATION BOX  |
| 3  | 191408   | 1  | L.H. CONTROL STATION BOX  |
| 4  | 197601   | 1  | R.H. SIDE INJECTION CONNECTING<br>CABLES  |
| 4  | 188137   | 1  | L.H. SIDE INJECTION CONNECTING<br>CABLES  |
| 5  | 186914   | 8  | IGNITION COIL<br>-L= 900 mm-  |
| 5  | 188504   | 4  | IGNITION COIL<br>-L= 700 mm-  |
| 6  | 14305324 | 12 | SCREW   |
| 7  | 11197774 | 12 | WASHER  |
| 8  | 183553   | 2  | COMPLETE FUEL TUBE<br>WITH ELECTRO-INJECTORS<br>-Not as spare part now-<br>-Replaced by 199402- |
| 8  | 199402   | 2  | COMPLETE FUEL TUBE<br>WITH ELECTRO-INJECTORS  |
| 9  | 197808   | 12 | ELECTRO-INJECTOR  |
| 10 | 133902   | 24 | GASKET  |
| 11 | 144730   | 12 | FIXING CLIP   |
| 12 | 16043124 | 8  | SCREW   |
| 13 | 12601374 | 8  | WASHER  |
| 14 | 195837   | 1  | R.H. SHIELD   |
| 14 | 195839   | 1  | L.H. SHIELD   |
| 15 | 192637   | 12 | SPARK PLUG  |
| 16 | 66578600 | 1  | GASKET  |
| 17 | 196334   | 1  | CONTROL STATION BOXES INSULATIONS KIT   |
| 18 | 198529   | 2  | HEAT SHIELD   |
| 19 | 66870200 | 1  | FUEL PAN  |

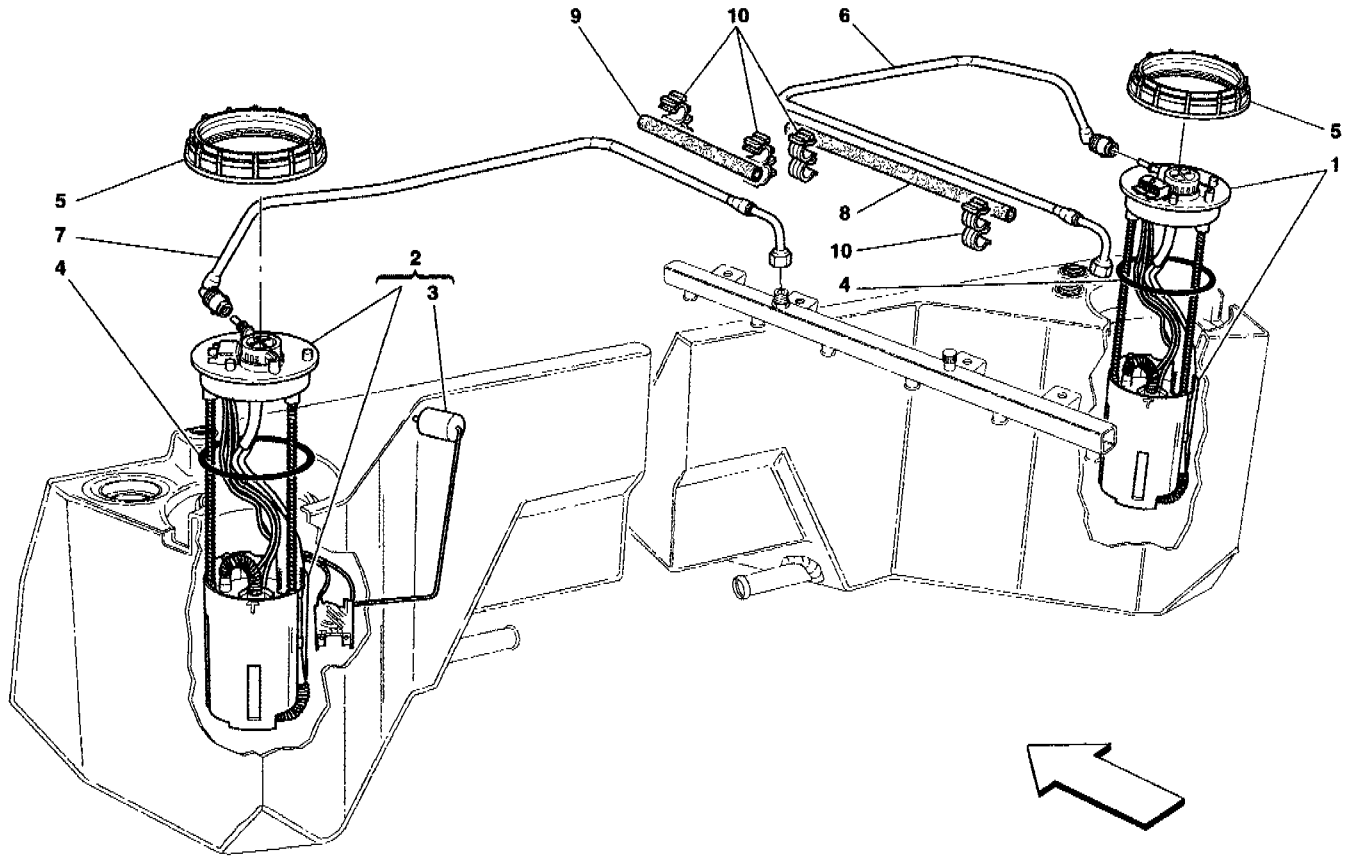
Enzo Ferrari - 8 - PNEUMATICS ACTUATOR SYSTEM



Enzo Ferrari - 8 - PNEUMATICS ACTUATOR SYSTEM

|    |          |    |   |
|----|----------|----|---|
| 1  | 191385   | 1  | DEPRESSION ACCUMULATION<br>TANK   |
| 2  | 191380   | 1  | R.H. SUPPORT BRACKET  |
| 3  | 191378   | 1  | L.H. SUPPORT BRACKET  |
| 4  | 10902424 | 8  | SCREW   |
| 5  | 12644424 | 12 | WASHER  |
| 6  | 14048115 | 4  | NUT   |
| 7  | 195911   | 1  | SHIELD FOR TANK<br>PROTECTION   |
| 8  | 178309   | 2  | SOLENOID VALVE  |
| 9  | 178515   | 2  | SOLENOID VALVE SUPPORT  |
| 10 | 14302924 | 4  | SCREW   |
| 11 | 127492   | 4  | WASHER  |
| 12 | 194260   | 1  | PIPE FROM SOLENOID VALVE<br>TO TANK   |
| 13 | 13432070 | 2  | COLLAR FOR SLEEVE   |
| 14 | 148464   | 3  | SLEEVE  |
| 15 | 13432070 | 6  | COLLAR FOR SLEEVE   |
| 16 | 178369   | 2  | UNION   |
| 17 | 147122   | 1  | R.H. PIPE FROM UNION TO VALVE<br>-Not as spare part-<br>-Replaced by 8147122- |
| 17 | 8147122  | 1  | R.H. PIPE FROM UNION TO VALVE   |
| 18 | 147127   | 1  | L.H. PIPE FROM UNION TO VALVE<br>-Not as spare part-<br>-Replaced by 8147127- |
| 18 | 8147127  | 1  | L.H. PIPE FROM UNION TO VALVE   |
| 19 | 171406   | 4  | COLLAR FOR SLEEVE   |
| 20 | 194259   | 3  | RUBBER HOSE   |
| 21 | 13432070 | 6  | COLLAR FOR SLEEVE   |
| 22 | 193562   | 1  | PIPE FROM TANK TO L.H. SOLENOID<br>VALVE                                      |
| 23 | 193564   | 1  | PIPE FROM TANK TO R.H.<br>DEPRESSION PIPE                                     |
| 24 | 193563   | 1  | PIPE FROM TANK TO L.H.<br>DEPRESSION PIPE                                     |
| 25 | 186822   | 1  | COMPLETE R.H. DEPRESSION PIPE   |
| 26 | 186823   | 1  | COMPLETE L.H. DEPRESSION PIPE   |
| 27 | 13432070 | 4  | COLLAR FOR SLEEVE   |
| 28 | 10441190 | 6  | BRACKET WITH SHEATH   |
| 29 | 10441390 | 2  | BRACKET WITH SHEATH   |
| 30 | 14305287 | 6  | SCREW   |
| 31 | 140162   | 2  | ANCHORAGE FOR CLIP  |
| 32 | 140130   | 4  | FLEXIBLE CLIP   |

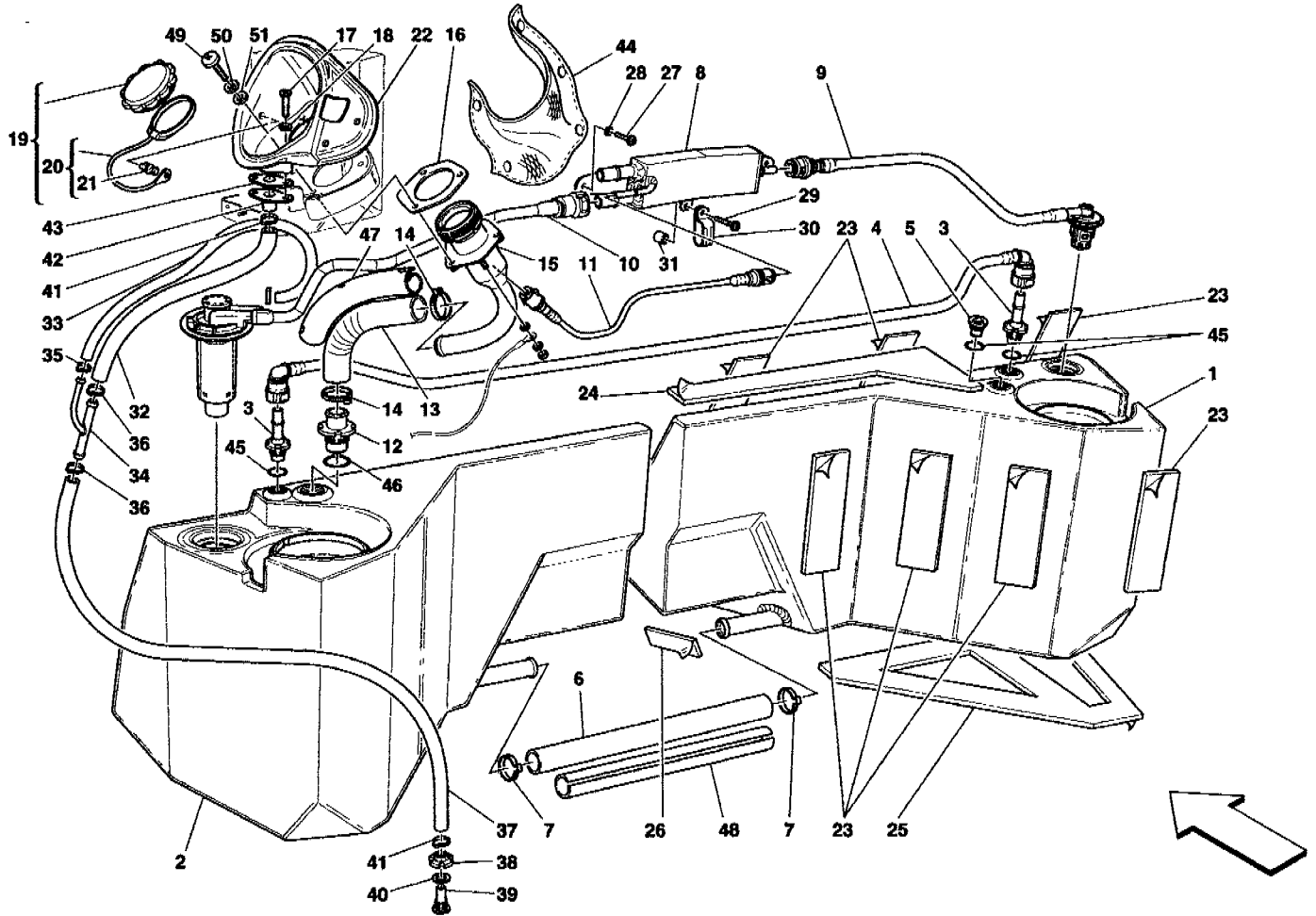
Enzo Ferrari - 9 - FUEL PUMPS AND PIPES



Enzo Ferrari - 9 - FUEL PUMPS AND PIPES

|    |        |   |  |
|----|--------|---|--|
| 1  | 186012 | 1 | R.H. COMPLETE FUEL PUMP  |
| 2  | 186019 | 1 | L.H. COMPLETE FUEL PUMP AND<br>FUEL LEVEL INDICATOR<br>CONTROL                 |
| 3  | 186021 | 1 | FUEL LEVEL INDICATOR<br>CONTROL<br>-Not as spare part-<br>-Replaced by 204998- |
| 3  | 204998 | 1 | FUEL LEVEL INDICATOR<br>CONTROL  |
| 4  | 181681 | 2 | GASKET FOR RING NUT  |
| 5  | 181682 | 2 | RING NUT FIXING PUMP   |
| 6  | 189407 | 1 | R.H. FUEL DELIVERY TUBE  |
| 7  | 189408 | 1 | L.H. FUEL DELIVERY TUBE  |
| 8  | 197746 | 1 | R.H. HEAT SHIELD   |
| 9  | 197750 | 1 | L.H. HEAT SHIELD   |
| 10 | 140727 | 8 | FIXING CLIP  |

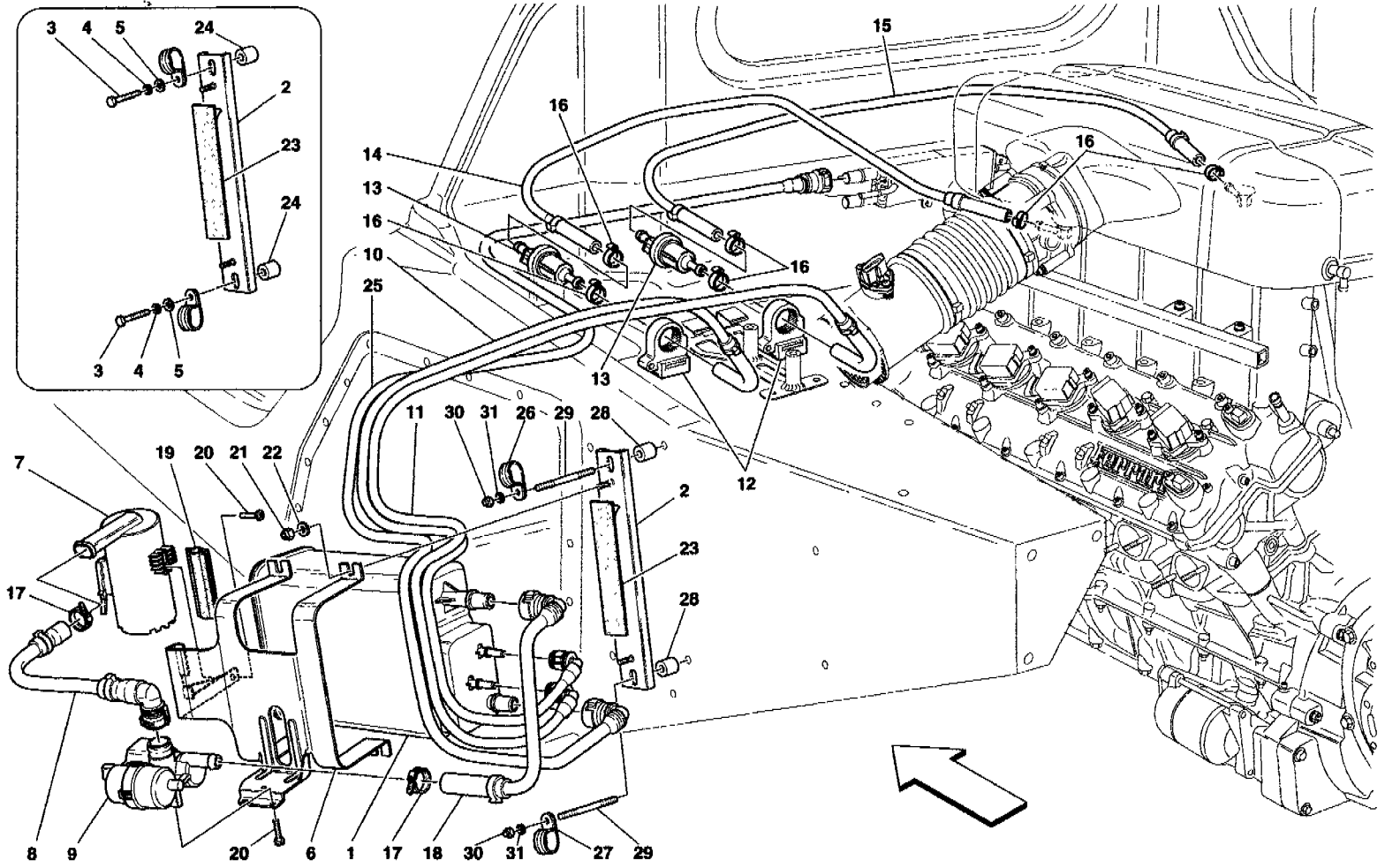
Enzo Ferrari - 10 - FUEL TANKS AND UNION



Enzo Ferrari - 10 - FUEL TANKS AND UNION

|    |          |    |   |
|----|----------|----|---|
| 1  | 186007   | 1  | R.H. FUEL TANK  |
| 2  | 186014   | 1  | L.H. FUEL TANK  |
| 3  | 187709   | 2  | PIPE ON TANK FOR QUICK CONNECTION   |
| 4  | 190874   | 1  | TANKS AIR BELL CONNECTION PIPE  |
| 5  | 187665   | 1  | THREADED PLUG   |
| 6  | 187164   | 1  | TANK LOWER CONNECTING<br>PIPE   |
| 7  | 170127   | 2  | COLLAR FOR SLEEVE   |
| 8  | 190517   | 1  | DISAREATOR  |
| 9  | 192020   | 1  | VENTILATION VALVE COMPLETE OF TUBE  |
| 10 | 192007   | 1  | MULTIFUNCTIONAL VALVE COMPLETE OF TUBE  |
| 11 | 192251   | 1  | UNIONS COMPLETE TUBE  |
| 12 | 187494   | 1  | PIPE ON TANK FOR FUEL FILL  |
| 13 | 192261   | 1  | UNION-TANKS CONNECTING<br>PIPE  |
| 14 | 170127   | 2  | COLLAR FOR SLEEVE   |
| 15 | 188799   | 1  | UNION   |
| 16 | 172899   | 1  | GASKET  |
| 17 | 14778418 | 2  | SCREW   |
| 18 | 10571570 | 2  | WASHER  |
| 19 | 195669   | 1  | COMPLETE PLUG   |
| 20 | 195666   | 1  | COMPLETE RING   |
| 21 | 186172   | 1  | RETAINER FOR STRING   |
| 22 | 66761100 | 1  | FLANGE  |
| 23 | 190424   | 14 | RUBBER THICKNESS  |
| 24 | 191656   | 1  | R.H. UPPER RUBBER THICKNESS   |
| 24 | 191653   | 1  | L.H. UPPER RUBBER THICKNESS   |
| 25 | 191657   | 1  | R.H. LOWER RUBBER THICKNESS   |
| 25 | 191651   | 1  | L.H. LOWER RUBBER THICKNESS   |
| 26 | 190425   | 2  | RUBBER THICKNESS  |
| 27 | 65366700 | 2  | SCREW   |
| 28 | 10571570 | 2  | WASHER  |
| 29 | 168133   | 1  | SCREW   |
| 30 | 139512   | 1  | BRACKET WITH SHEATH   |
| 31 | 189927   | 1  | SPACER  |
| 32 | 196657   | 1  | PIPE FROM PAN TO 3-WAY  |
| 33 | 196658   | 1  | PIPE FROM VALVE TO 3-WAY  |
| 34 | 195439   | 1  | 3-WAY UNION   |
| 35 | 13432270 | 1  | SCREW COLLAR  |
| 36 | 13433570 | 2  | SCREW COLLAR  |
| 37 | 196656   | 1  | PIPE FROM 3-WAY TO BOTTOM   |
| 38 | 104919   | 1  | RING NUT  |
| 39 | 64872000 | 1  | SLEEVE  |
| 40 | 65064500 | 1  | GASKET  |
| 41 | 177553   | 2  | CLAMP   |
| 42 | 197000   | 1  | FLANGE FOR EXHAUST  |
| 43 | 197001   | 1  | GASKET  |
| 44 | 198097   | 1  | UNION PROTECTION  |
| 44 | 199428   | 1  | -Valid till stock exhaustion-<br>UNION PROTECTION<br>-Valid after stock exhaustion of 198097- |
| 45 | 14457589 | 3  | O.R. GASKET   |
| 46 | 14458289 | 1  | O.R. GASKET   |
| 47 | 198238   | 1  | PIPE PROTECTION   |
| 48 | 199427   | 1  | PIPE PROTECTION   |
| 49 | 14064117 | 3  | SCREW   |
| 50 | 12620477 | 3  | WASHER  |
| 51 | 12644477 | 3  | WASHER  |

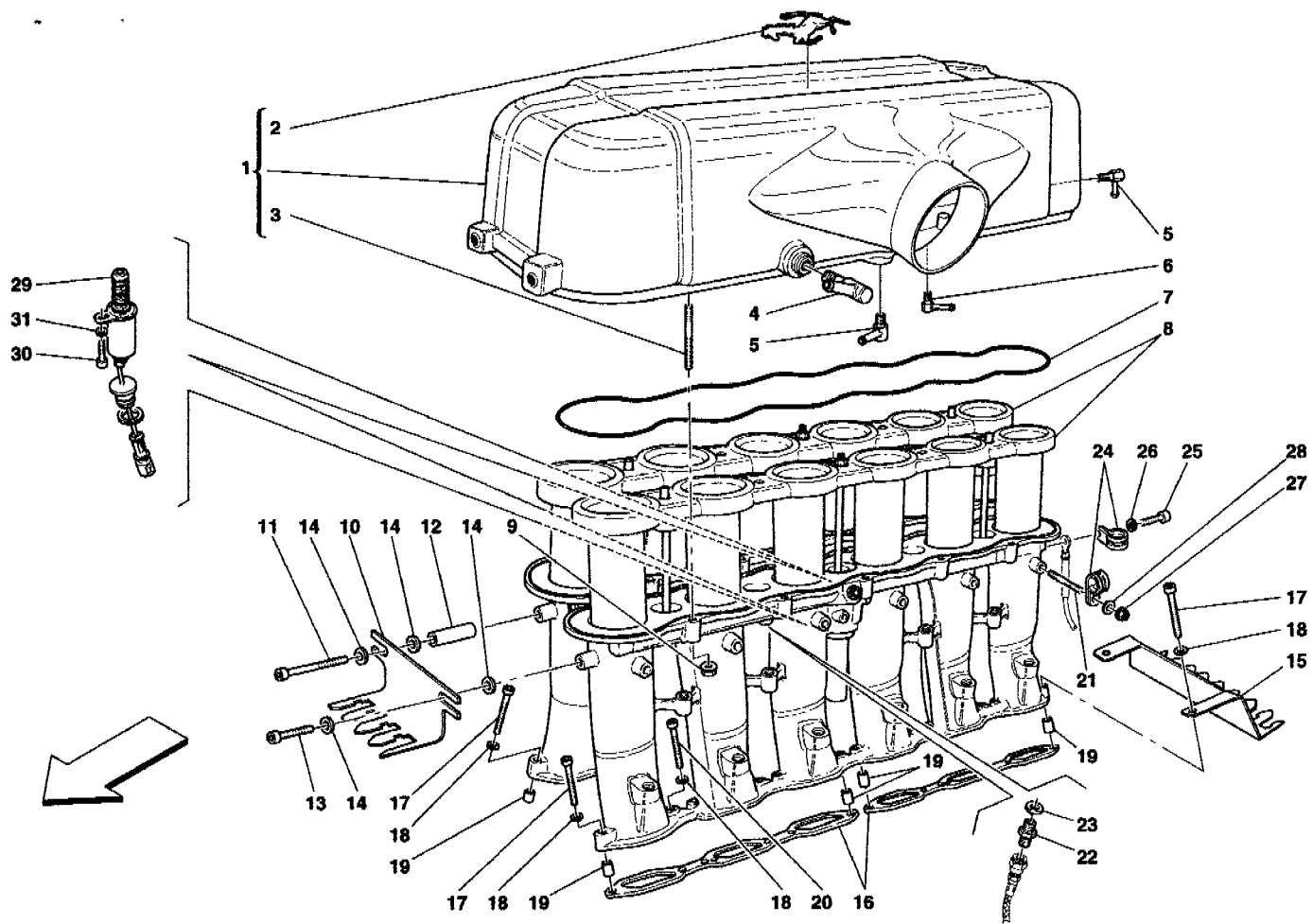
Enzo Ferrari - 11 - ANTIEVAPORATION DEVICE



Enzo Ferrari - 11 - ANTIEVAPORATION DEVICE

|    |          |   |  |
|----|----------|---|--|
| 1  | 184465   | 1 | FUEL VAPOR FILTER  |
| 2  | 189925   | 2 | BRACKET  |
| 3  | 10978224 | 4 | SCREW  |
| 4  | 10571570 | 4 | -Valid till car Ass. Nr. 45997-<br>WASHER  |
| 5  | 12638177 | 4 | -Valid till car Ass. Nr. 45997-<br>WASHER  |
| 6  | 189924   | 1 | -Valid till car Ass. Nr. 45997-<br>BRACKET FOR VAPOR FILTER<br>FIXING            |
| 7  | 183221   | 1 | FILTER FOR OBD PUMP  |
| 8  | 189386   | 1 | UNIONS COMPLETE TUBE   |
| 9  | 185405   | 1 | DIAGNOSIS PUMP   |
| 10 | 188115   | 1 | UNIONS COMPLETE TUBE   |
| 11 | 188114   | 1 | UNIONS COMPLETE TUBE   |
| 12 | 174623   | 2 | BUFFER FOR SUPPORT   |
| 13 | 162412   | 2 | WASHER VALVE   |
| 14 | 188117   | 1 | UNIONS COMPLETE TUBE   |
| 15 | 188118   | 1 | UNIONS COMPLETE TUBE   |
| 16 | 13432070 | 6 | COLLAR FOR SLEEVE  |
| 17 | 13000390 | 2 | SCREW COLLAR   |
| 18 | 188112   | 1 | UNIONS COMPLETE TUBE   |
| 19 | 196103   | 1 | ANTI-VIBRATION GASKET  |
| 20 | 15688375 | 4 | SCREW  |
| 21 | 113647   | 4 | NUT  |
| 22 | 14496324 | 4 | WASHER   |
| 23 | 66202100 | 1 | ADHESIVE   |
| 24 | 189926   | 2 | SPACER   |
| 24 | 189927   | 2 | -L= 10,5mm-<br>-Valid till car Ass. Nr. 45997-<br>SPACER                         |
| 25 | 190878   | 1 | -L= 12,5mm-<br>-Valid till car Ass. Nr. 45997-<br>PIPE FROM FILTER TO DISAREATOR |
| 26 | 10441690 | 2 | BRACKET WITH SHEATH  |
| 27 | 10441790 | 1 | BRACKET WITH SHEATH  |
| 28 | 13604115 | 4 | SPACER   |
| 29 | 11001524 | 4 | -Valid from car Ass. Nr. 45998-<br>STUD  |
| 30 | 12637824 | 4 | -Valid from car Ass. Nr. 45998-<br>WASHER  |
| 31 | 113647   | 4 | -Valid from car Ass. Nr. 45998-<br>NUT   |

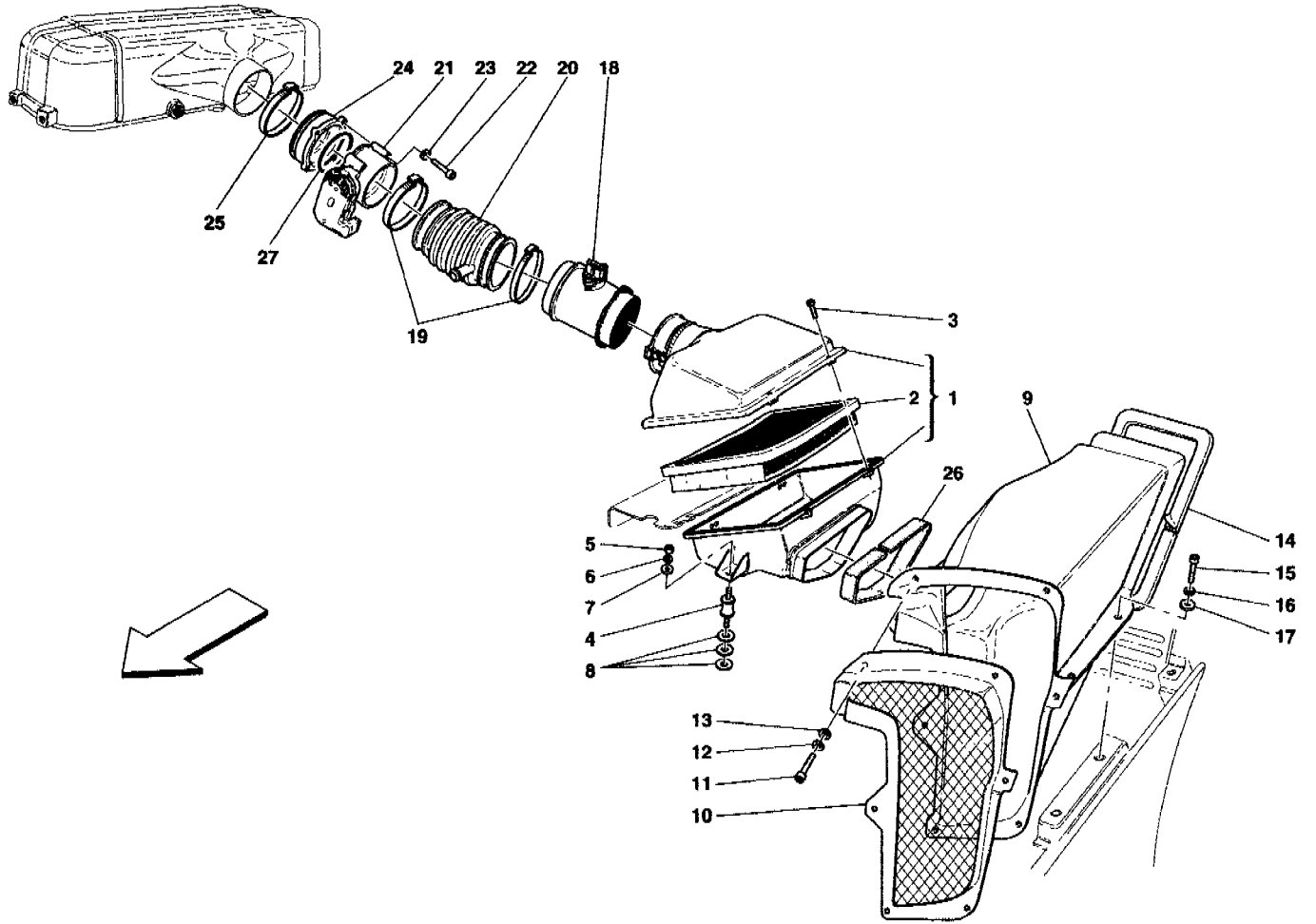
Enzo Ferrari - 12 - AIR INTAKE MANIFOLD AND AIR BOX



Enzo Ferrari - 12 - AIR INTAKE MANIFOLD AND AIR BOX

|    |   |          |    |                                    |
|----|---|----------|----|------------------------------------|
| 1  | - | 191038   | 1  | COMPLETE PLENUM CHAMBER            |
| 2  |   | 196001   | 1  | CAVALLINO RAMPANTE                 |
| 3  |   | 11500824 | 18 | STUD                               |
| 4  |   | 195510   | 2  | UNION<br>-M14x1,25-                |
| 5  |   | 195508   | 4  | UNION<br>-M8x1-                    |
| 6  |   | 195509   | 2  | UNION<br>-M6x1-                    |
| 7  |   | 190716   | 2  | GASKET                             |
| 8  |   | 186402   | 2  | COMPLETE SUCTION MANIFOLD          |
| 9  |   | 159601   | 18 | NUT                                |
| 10 |   | 185659   | 1  | FRONT SENSORS FIXING BRACKET       |
| 11 |   | 14305587 | 1  | SCREW                              |
| 12 |   | 169037   | 1  | SPACER                             |
| 13 |   | 14305187 | 1  | SCREW                              |
| 14 |   | 12644424 | 4  | WASHER                             |
| 15 |   | 185660   | 1  | REAR SENSORS FIXING BRACKET        |
| 16 |   | 184647   | 4  | GASKET                             |
| 17 |   | 14305624 | 8  | SCREW                              |
| 18 |   | 11197774 | 24 | WASHER                             |
| 19 |   | 102725   | 8  | CENTERING DOWEL                    |
| 20 |   | 14305524 | 16 | SCREW                              |
| 21 |   | 11500124 | 12 | STUD                               |
| 22 |   | 182426   | 2  | THREADED UNION                     |
| 23 |   | 10261060 | 2  | GASKET                             |
| 24 |   | 10441490 | 11 | BRACKET WITH SHEATH                |
| 24 |   | 10441790 | 3  | BRACKET WITH SHEATH                |
| 25 |   | 14305724 | 2  | SCREW                              |
| 26 |   | 11197774 | 2  | WASHER                             |
| 27 |   | 102741   | 12 | NUT                                |
| 28 |   | 14496424 | 12 | WASHER                             |
| 29 |   | 186563   | 2  | VARIATOR CONTROL SOLENOID<br>VALVE |
| 30 |   | 14305724 | 2  | SCREW                              |
| 31 |   | 11197774 | 2  | WASHER                             |

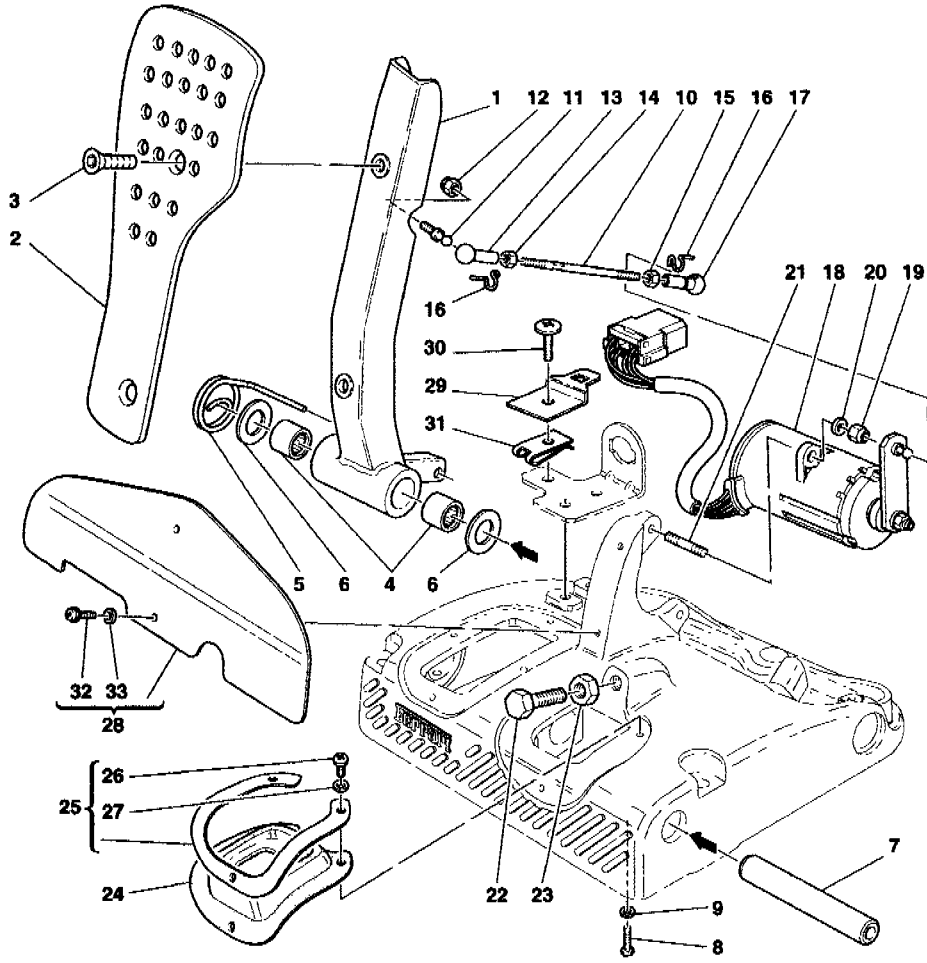
Enzo Ferrari - 13 - AIR INTAKE AND THROTTLE BODIES



Enzo Ferrari - 13 - AIR INTAKE AND THROTTLE BODIES

|                |          |    |                              |
|----------------|----------|----|------------------------------|
| 1 <sub>2</sub> | 186798   | 1  | COMPLETE L.H. AIR FILTER BOX |
| 1              | 186795   | 1  | COMPLETE R.H. AIR FILTER BOX |
| 2              | 180935   | 2  | AIR FILTER                   |
| 3              | 157757   | 8  | SCREW                        |
| 4              | 142202   | 4  | PAD                          |
| 5              | 15896214 | 4  | NUT                          |
| 6              | 127494   | 4  | WASHER                       |
| 7              | 12643724 | 4  | WASHER                       |
| 8              | 12640624 | 12 | WASHER                       |
| 9              | 66586300 | 1  | L.H. AIR INLET               |
| 9              | 66586400 | 1  | R.H. AIR INLET               |
| 10             | 66926200 | 1  | L.H. AIR INLET GRILL         |
| 10             | 66926100 | 1  | R.H. AIR INLET GRILL         |
| 11             | 14304124 | 12 | SCREW                        |
| 12             | 12637824 | 12 | WASHER                       |
| 13             | 12601174 | 12 | WASHER                       |
| 14             | 185510   | 2  | AIR CONVEYOR GASKET          |
| 15             | 16043934 | 4  | SCREW                        |
| 16             | 127496   | 4  | WASHER                       |
| 17             | 14496524 | 4  | WASHER                       |
| 18             | 180045   | 2  | AIR FLOW METER               |
| 19             | 190151   | 4  | CLAMP                        |
| 20             | 187156   | 2  | CONNECTION SLEEVE            |
| 21             | 179912   | 2  | THROTTLE HOLDER              |
| 22             | 14305924 | 8  | SCREW                        |
| 23             | 11197774 | 8  | WASHER                       |
| 24             | 195206   | 2  | SPACER                       |
| 25             | 190151   | 2  | CLAMP                        |
| 26             | 191267   | 2  | RUBBER THICKNESS             |
| 27             | 150302   | 2  | GASKET                       |

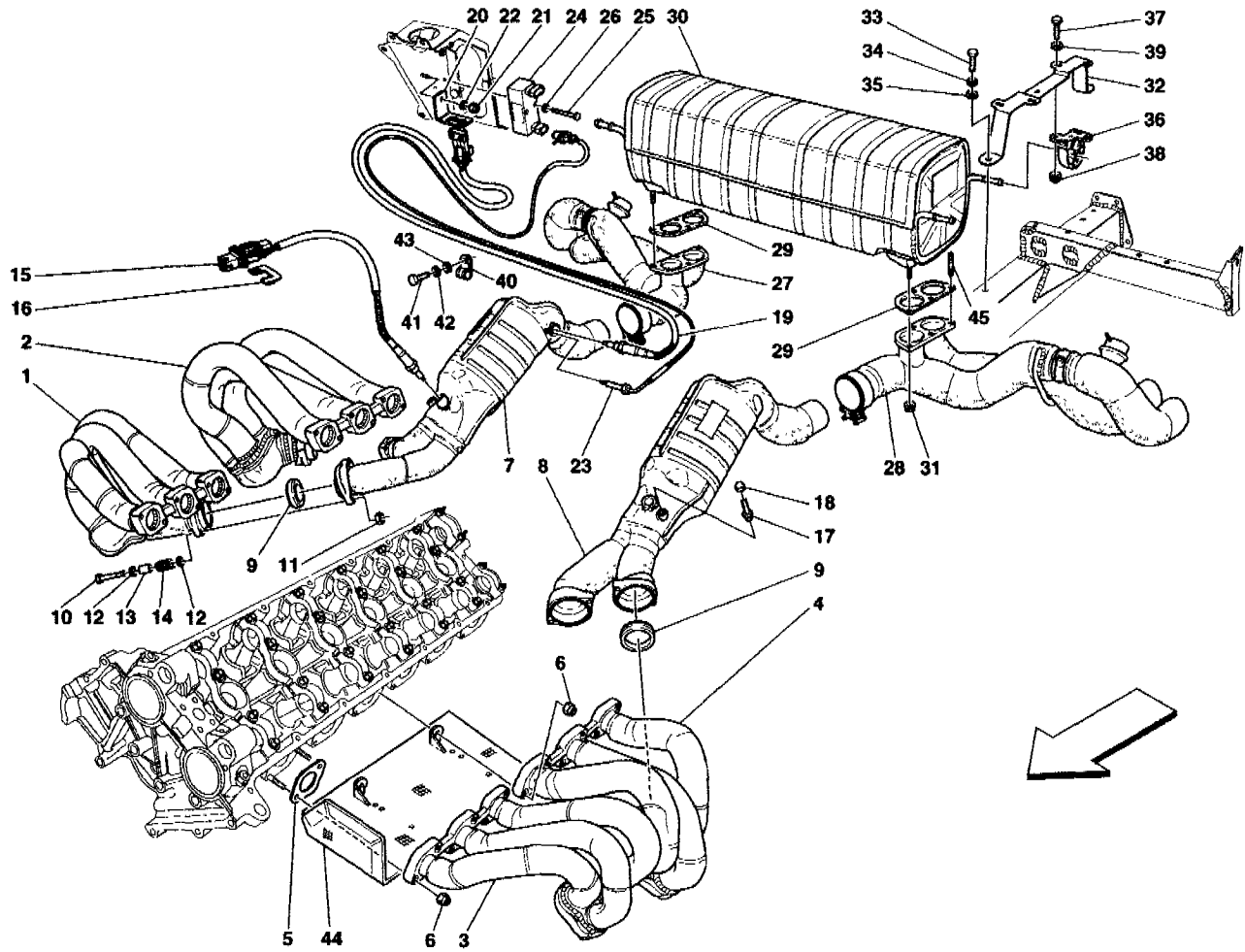
Enzo Ferrari - 14 - ELECTRONIC ACCELERATOR PEDAL



Enzo Ferrari - 14 - ELECTRONIC ACCELERATOR PEDAL

|    |          |   |                                    |
|----|----------|---|------------------------------------|
| 1  | 186047   | 1 | ACCELERATOR PEDAL                  |
| 2  | 192618   | 1 | ACCELERATOR PEDAL COVER            |
| 2  | 193708   | 1 | ACCELERATOR PEDAL COVER            |
|    |          |   | -As an alternative-                |
| 3  | 14441424 | 2 | SCREW                              |
| 4  | 101677   | 2 | ROLLER BEARING                     |
| 5  | 175351   | 1 | SPRING                             |
| 6  | 157115   | 2 | SPACER WASHER                      |
| 7  | 171468   | 1 | ROLLER CAGE RACE                   |
| 8  | 10977724 | 1 | SCREW                              |
| 9  | 11181574 | 1 | WASHER                             |
| 10 | 171466   | 1 | PUSH ROD                           |
| 11 | 15151911 | 1 | JOINT PIN                          |
| 12 | 169180   | 1 | NYLON NUT                          |
| 13 | 173999   | 1 | BALL JOINT HEAD                    |
| 14 | 15896470 | 1 | NUT                                |
| 15 | 105586   | 1 | NUT                                |
| 16 | 174001   | 2 | CLIP                               |
| 17 | 174000   | 1 | BALL JOINT HEAD                    |
| 18 | 170038   | 1 | ACCELERATOR PEDAL<br>POTENTIOMETER |
| 19 | 102948   | 2 | NYLON NUT                          |
| 20 | 12639724 | 2 | WASHER                             |
| 21 | 13586124 | 2 | STUD                               |
| 22 | 16043624 | 1 | SCREW                              |
| 23 | 16102314 | 1 | NUT                                |
| 24 | 186802   | 1 | ACCELERATOR PEDAL<br>BELLOWS       |
| 25 | 186800   | 1 | PLATE                              |
| 26 | 13271872 | 3 | SCREW                              |
| 27 | 12601074 | 3 | WASHER                             |
| 28 | 193121   | 1 | AESTHETIC SHIELD                   |
| 29 | 170925   | 1 | CONNECTOR FIXING BRACKET           |
| 30 | 14063314 | 1 | SCREW                              |
| 31 | 14371274 | 1 | BRACKET                            |
| 32 | 13271872 | 2 | SCREW                              |
| 33 | 12601074 | 2 | WASHER                             |

Enzo Ferrari - 15 - EXHAUST SYSTEM



Enzo Ferrari - 15 - EXHAUST SYSTEM

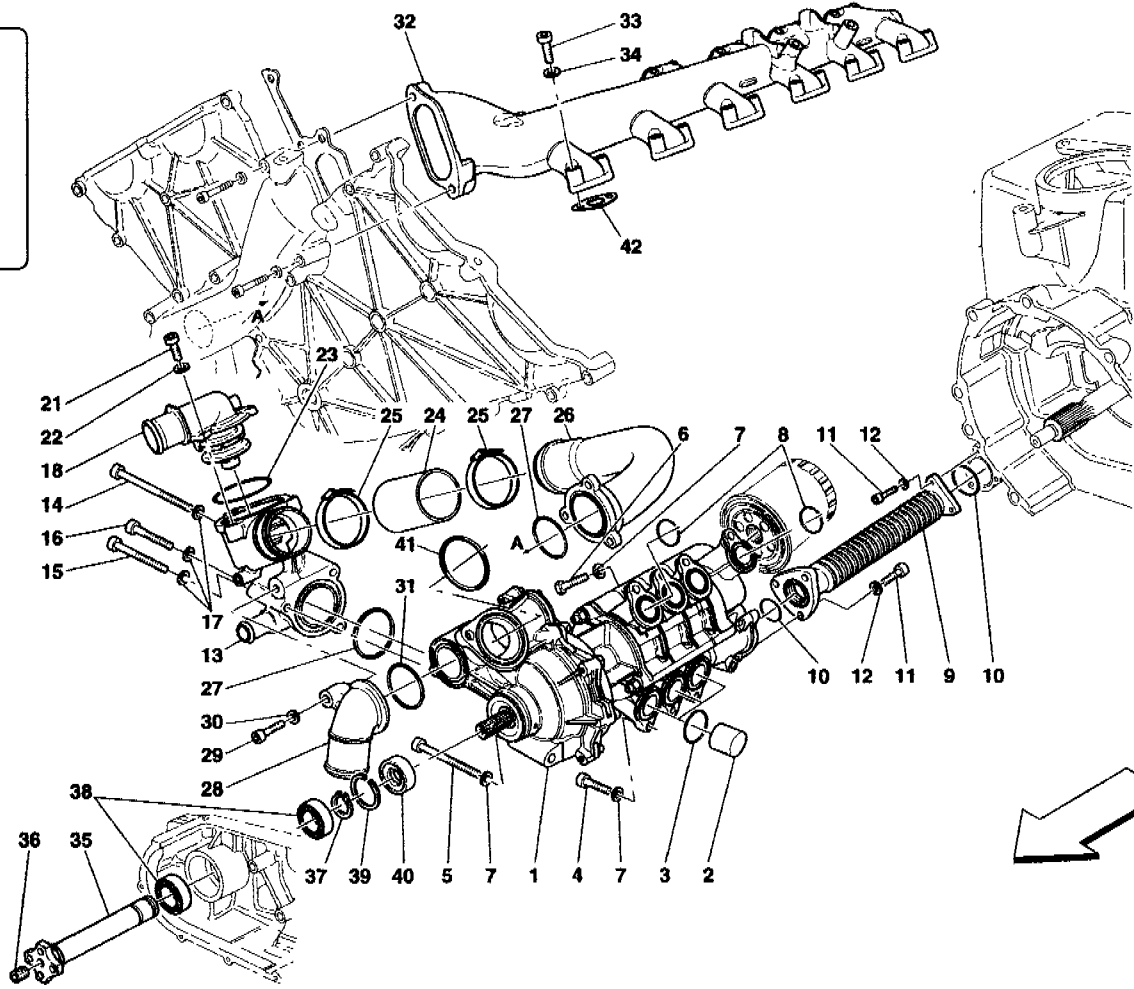
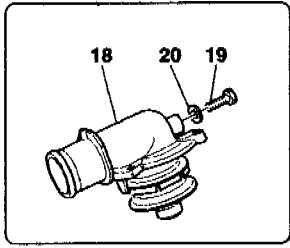
|    |          |    |   |
|----|----------|----|---|
| 1  | 192662   | 1  | R.H. FRONT EXHAUST<br>MANIFOLD          |
| 2  | 192663   | 1  | R.H. REAR EXHAUST MANIFOLD              |
| 3  | 192664   | 1  | L.H. FRONT EXHAUST<br>MANIFOLD          |
| 4  | 192665   | 1  | L.H. REAR EXHAUST MANIFOLD              |
| 5  | 177006   | 12 | GASKET                                  |
| 6  | 138392   | 24 | NUT                                     |
| 7  | 191669   | 1  | R.H. CATALYST                           |
| 8  | 191670   | 1  | L.H. CATALYST                           |
| 9  | 159914   | 4  | GASKET                                  |
| 10 | 16044834 | 8  | SCREW                                   |
| 11 | 138392   | 8  | NUT                                     |
| 12 | 12646778 | 16 | WASHER                                  |
| 13 | 114749   | 8  | SPACER                                  |
| 14 | 111743   | 8  | SPRING                                  |
| 15 | 182837   | 2  | FRONT LAMBDA FEELER                     |
| 16 | 175856   | 2  | FRONT CONNECTOR FIXING BRACKET          |
| 17 | 144240   | 2  | THREADED UNION                          |
| 18 | 150595   | 2  | CAP NUT                                 |
| 19 | 180915   | 2  | REAR LAMBDA FEELER                      |
| 20 | 178366   | 2  | REAR CONNECTOR FIXING BRACKET           |
| 21 | 102741   | 1  | NUT                                     |
| 22 | 10519424 | 1  | WASHER                                  |
| 23 | 168824   | 2  | THERMOCOUPLE                            |
| 24 | 179278   | 2  | CATALYST TEMPERATURE<br>CONTROL STATION |
| 25 | 15210824 | 4  | SCREW                                   |
| 26 | 10519224 | 4  | WASHER                                  |
| 27 | 191672   | 1  | R.H. EXHAUST TERMINAL                   |
| 28 | 191673   | 1  | L.H. EXHAUST TERMINAL                   |
| 29 | 177612   | 2  | GASKET                                  |
| 30 | 191671   | 1  | COMPLETE EXHAUST SILENCER               |
| 31 | 179808   | 8  | NUT                                     |
| 32 | 187817   | 2  | BRACKET                                 |
| 33 | 14305587 | 6  | SCREW                                   |
| 34 | 11197777 | 6  | WASHER                                  |
| 35 | 12644477 | 6  | WASHER                                  |
| 36 | 187861   | 4  | ANTI-VIBRATION SUPPORT                  |
| 37 | 14306387 | 8  | SCREW                                   |
| 38 | 175283   | 8  | NUT                                     |
| 39 | 12638578 | 8  | WASHER                                  |
| 40 | 10441190 | 6  | BRACKET WITH SHEATH                     |
| 41 | 10902224 | 6  | SCREW                                   |
| 42 | 10519424 | 6  | WASHER                                  |
| 43 | 12601274 | 6  | WASHER                                  |
| 44 | 195488   | 1  | L.H. HEAT PROTECTION SHIELD             |
| 44 | 195487   | 1  | R.H. HEAT PROTECTION SHIELD             |
| 45 | 188986   | 8  | STUD                                    |



Enzo Ferrari - 16 - LUBRICATION SYSTEM AND BLOW-BY SYSTEM

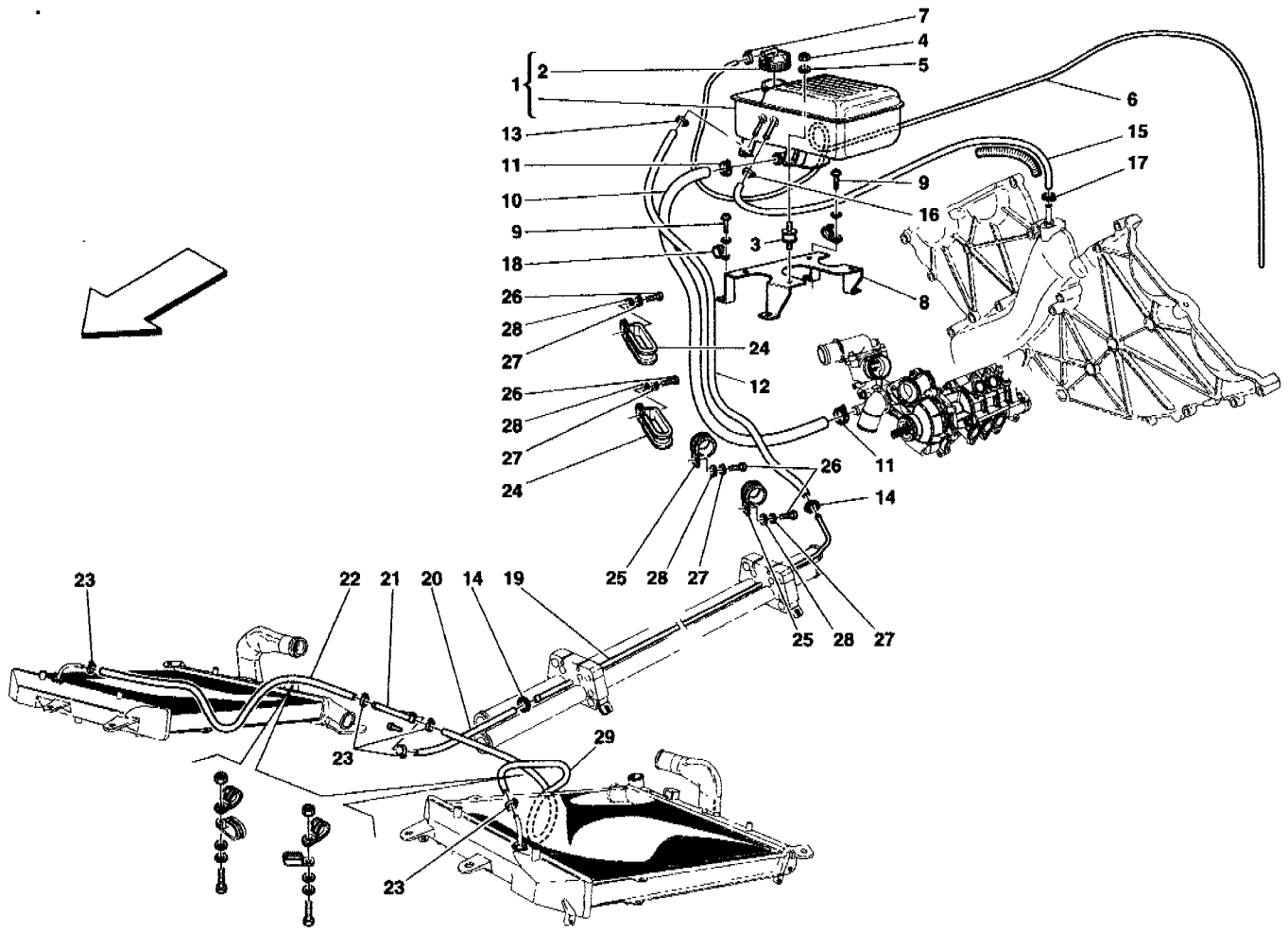
|    |          |   |  |
|----|----------|---|--|
| 1  | 185435   | 1 | OIL RADIATOR                             |
| 2  | 16043934 | 4 | SCREW                                    |
| 3  | 127496   | 4 | WASHER                                   |
| 4  | 14496524 | 4 | WASHER                                   |
| 5  | 107979   | 8 | CUP                                      |
| 6  | 155395   | 4 | SPACER                                   |
| 7  | 107978   | 8 | PAD                                      |
| 8  | 186815   | 1 | HOSE FROM ENGINE TO RADIATOR             |
|    |          |   | -Valid till stock exhaustion-            |
| 8  | 206775   | 1 | HOSE FROM ENGINE TO RADIATOR             |
| 9  | 186816   | 1 | HOSE FROM RADIATOR TO DISAREATOR         |
| 10 | 195168   | 4 | FIXING CLIP                              |
| 11 | 195363   | 1 | OIL FILTER CARTRIDGE                     |
| 12 | 177604   | 1 | THREADED UNION                           |
| 13 | 135940   | 1 | OIL PRESSURE TRANSMITTER                 |
| 14 | 10259960 | 1 | GASKET                                   |
| 15 | 195163   | 1 | PIPE FIXING BRACKET                      |
| 16 | 10442290 | 1 | BRACKET WITH SHEATH                      |
| 17 | 14065917 | 2 | NUT                                      |
|    |          |   | -Not as spare part-                      |
|    |          |   | -Replaced by 194031-                     |
| 17 | 194031   | 2 | NUT                                      |
| 18 | 193490   | 1 | THREE-WAY RIGID PIPE                     |
| 19 | 178051   | 2 | CLAMP                                    |
| 20 | 179383   | 2 | RUBBER HOSE                              |
| 21 | 184484   | 1 | NONRETURN VALVE                          |
| 22 | 178053   | 4 | CLAMP                                    |
| 23 | 193655   | 1 | L.H. OIL VAPOR PIPE                      |
| 23 | 193533   | 1 | R.H. OIL VAPOR PIPE                      |
| 24 | 178051   | 2 | CLAMP                                    |
| 25 | 178052   | 2 | CLAMP                                    |
| 26 | 189131   | 1 | AIR-OIL DISAREATOR                       |
| 27 | 176388   | 1 | O.R. GASKET                              |
| 28 | 13517124 | 3 | STUD                                     |
| 29 | 101139   | 3 | NUT                                      |
| 30 | 12601374 | 3 | WASHER                                   |
| 31 | 189762   | 1 | COMPLETE OIL LEVEL ROD                   |
| 32 | 180585   | 1 | GASKET                                   |
| 33 | 196328   | 1 | COVER                                    |
| 34 | 161816   | 1 | 3-WAY UNION                              |
| 35 | 115042   | 2 | RUBBER HOSE                              |
| 36 | 194910   | 1 | RUBBER HOSE                              |
| 37 | 196010   | 1 | ANTI-VIBRATIONS                          |
| 38 | 13516824 | 2 | STUD                                     |
| 39 | 177778   | 2 | NUT                                      |
| 40 | 64830600 | 1 | SCREW                                    |
| 41 | 12643778 | 1 | WASHER                                   |
| 42 | 10441790 | 1 | BRACKET WITH SHEATH                      |
| 43 | 198785   | 1 | SPACER                                   |
|    |          |   | -Valid till stock exhaustion-            |
| 43 | 200213   | 1 | SPACER                                   |
|    |          |   | -Valid after stock exhaustion of 198785- |
| 44 | 14499401 | 2 | WASHER                                   |
| 45 | 153628   | 1 | O.R. GASKET                              |

Enzo Ferrari - 17 - OIL / WATER PUMP



Enzo Ferrari - 17 - OIL / WATER PUMP

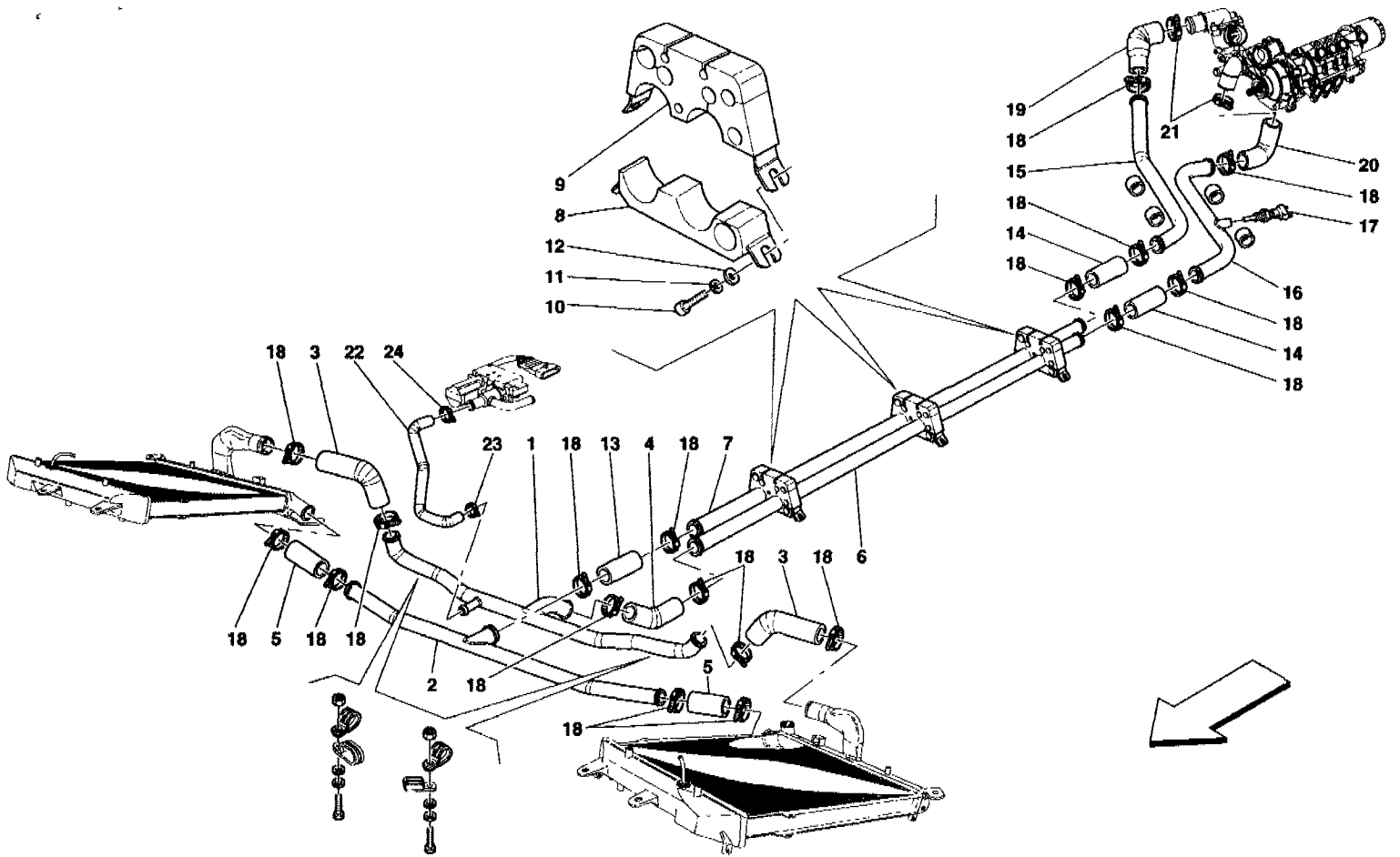
|    |          |    |                                     |
|----|----------|----|-------------------------------------|
| 1  | 195440   | 1  | COMPLETE WATER-OIL PUMP             |
| 2  | 187051   | 2  | LATERAL OIL RECOVERY FILTER         |
| 2  | 187162   | 1  | CENTRAL OIL RECOVERY FILTER         |
| 3  | 148225   | 3  | O.R. GASKET                         |
| 4  | 14306424 | 4  | SCREW                               |
| 5  | 14359324 | 2  | SCREW                               |
| 6  | 185345   | 4  | SCREW                               |
| 7  | 11198074 | 10 | WASHER                              |
| 8  | 133938   | 4  | O.R. GASKET                         |
| 9  | 196938   | 1  | OIL HOSE                            |
| 10 | 153628   | 2  | O.R. GASKET                         |
| 11 | 10902424 | 6  | SCREW                               |
| 12 | 12640624 | 6  | WASHER                              |
| 13 | 193713   | 1  | THERMOSTAT VALVE BODY               |
| 14 | 14300724 | 1  | SCREW                               |
| 15 | 14304824 | 1  | SCREW                               |
| 16 | 14305524 | 1  | SCREW                               |
| 17 | 11197774 | 3  | WASHER                              |
| 18 | 193904   | 1  | THERMO PRESSOSTAT COVER             |
|    |          |    | -Not as spare part-                 |
|    |          |    | -Replaced by 196242-                |
| 18 | 196242   | 1  | THERMO PRESSOSTAT COVER             |
| 19 | 10300540 | 1  | THREADED PLUG                       |
|    |          |    | -Valid for pressostat cover 193904- |
| 20 | 10298460 | 1  | GASKET                              |
|    |          |    | -Valid for pressostat cover 193904- |
| 21 | 14432224 | 3  | SCREW                               |
| 22 | 11197774 | 3  | WASHER                              |
| 23 | 137873   | 1  | GASKET                              |
| 24 | 178722   | 1  | RUBBER HOSE                         |
| 25 | 13000790 | 2  | SCREW COLLAR                        |
| 26 | 181975   | 1  | PIPE FROM FRONT COVER TO PUMP       |
| 27 | 154191   | 2  | O.R. GASKET                         |
| 28 | 186334   | 1  | WATER INLET DUCTING                 |
| 29 | 14306524 | 1  | SCREW                               |
| 30 | 11193874 | 1  | WASHER                              |
| 31 | 141250   | 1  | O.R. GASKET                         |
| 32 | 184726   | 1  | COMPLETE WATER OUTLET<br>MANIFOLD   |
| 33 | 14305524 | 24 | SCREW                               |
| 34 | 11197774 | 24 | WASHER                              |
| 35 | 192353   | 1  | PUMPS CONTROL SHAFT                 |
| 36 | 127635   | 1  | THREADED PLUG                       |
| 37 | 11067276 | 1  | SEEGER RING                         |
| 38 | 155996   | 2  | BALL BEARING                        |
| 39 | 11381076 | 1  | SEEGER RING                         |
| 40 | 184384   | 1  | GASKET                              |
| 41 | 132829   | 1  | GASKET                              |
| 42 | 182658   | 12 | GASKET                              |



Enzo Ferrari - 18 - NOURICE AND PIPES

|    |          |   |   |
|----|----------|---|---|
| 1  | 191040   | 1 | COMPLETE FUEL CANISTER  |
| 2  | 145030   | 1 | TANK PLUG   |
| 3  | 142202   | 4 | PAD   |
| 4  | 15896214 | 4 | NUT   |
| 5  | 12643724 | 4 | WASHER  |
| 6  | 195600   | 1 | VENT PIPE   |
| 7  | 183919   | 1 | ELASTIC COLLAR  |
| 8  | 191014   | 1 | NOURICE SUPPORTING BRACKET  |
| 9  | 62940900 | 4 | SCREW   |
| 10 | 196098   | 1 | RUBBER HOSE FROM PUMP TO NOURICE  |
| 11 | 13000490 | 2 | SCREW COLLAR  |
| 12 | 191838   | 1 | RUBBER HOSE FROM NOURICE TO UNDER FLOOR<br>-Not as spare part-<br>-Replaced by 8191838- |
| 12 | 8191838  | 1 | RUBBER HOSE FROM NOURICE TO UNDER FLOOR   |
| 13 | 177995   | 1 | CLAMP   |
| 14 | 13000190 | 2 | SCREW COLLAR  |
| 15 | 191837   | 1 | RUBBER HOSE FROM NOURICE TO ENGINE  |
| 16 | 177995   | 1 | CLAMP   |
| 17 | 13000190 | 1 | SCREW COLLAR  |
| 18 | 10442090 | 1 | BRACKET WITH SHEATH   |
| 19 | 188062   | 1 | UNDERFLOOR PIPE   |
| 20 | 191856   | 1 | RUBBER HOSE<br>-Not as spare part-<br>-Replaced by 8191856-                             |
| 20 | 8191856  | 1 | RUBBER HOSE   |
| 21 | 194017   | 1 | 3-WAY UNION   |
| 22 | 191854   | 1 | RUBBER HOSE<br>-Not as spare part-<br>-Replaced by 8191854-                             |
| 22 | 8191854  | 1 | RUBBER HOSE   |
| 22 | 198665   | 1 | RUBBER HOSE<br>-Not as spare part-<br>-Replaced by 8198665-                             |
| 22 | 8198665  | 1 | RUBBER HOSE   |
| 23 | 13000190 | 5 | SCREW COLLAR  |
| 24 | 138478   | 2 | CLAMP   |
| 25 | 172995   | 2 | BRACKET WITH SHEATH   |
| 26 | 10902224 | 4 | SCREW   |
| 27 | 12644424 | 4 | WASHER  |
| 28 | 12601274 | 4 | WASHER  |
| 29 | 198665   | 1 | RUBBER HOSE   |

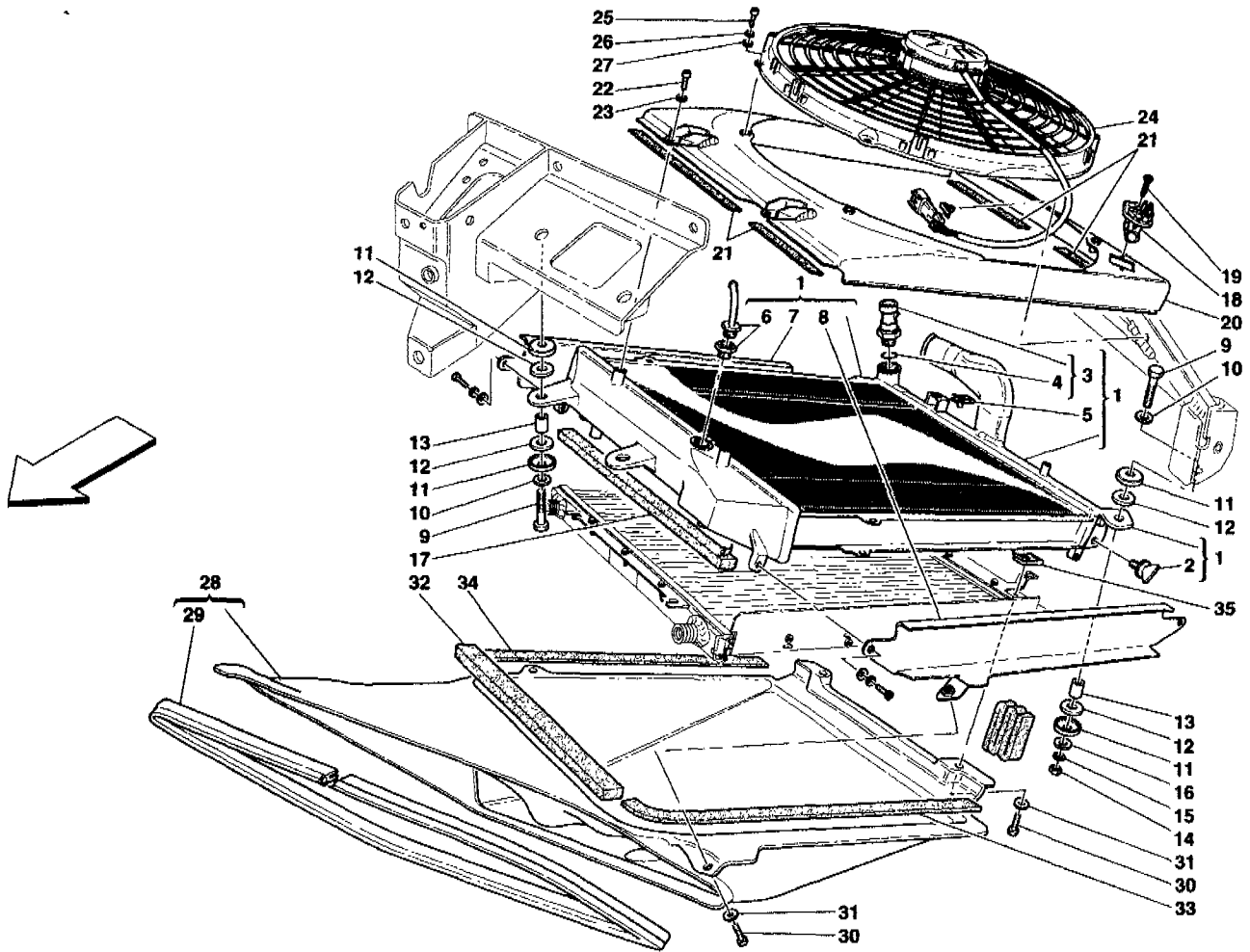
Enzo Ferrari - 19 - COOLING SYSTEM



Enzo Ferrari - 19 - COOLING SYSTEM

|    |          |    |   |
|----|----------|----|---|
| 1  | 188485   | 1  | DELIVERY WATER PIPE                       |
| 2  | 188486   | 1  | RETURN WATER PIPE                         |
| 3  | 181742   | 2  | DELIVERY RUBBER HOSE                      |
| 4  | 193463   | 1  | PRESHAPED RUBBER HOSE                     |
| 5  | 188422   | 2  | RETURN RUBBER HOSE                        |
| 6  | 188064   | 1  | UNDERFLOOR DELIVERY<br>ALUMINIUM TUBE     |
| 7  | 191685   | 1  | UNDERFLOOR RETURN<br>ALUMINIUM TUBE       |
| 8  | 188811   | 3  | LOWER SUPPORT                             |
| 9  | 188812   | 3  | UPPER SUPPORT                             |
| 10 | 13026924 | 6  | SCREW                                     |
| 11 | 12644424 | 6  | WASHER                                    |
| 12 | 12601274 | 6  | WASHER                                    |
| 13 | 191681   | 1  | RETURN RUBBER HOSE                        |
| 14 | 188422   | 2  | RUBBER HOSE                               |
| 15 | 188063   | 1  | DELIVERY TUBE FROM<br>UNDER FLOOR TO PUMP |
| 16 | 189150   | 1  | RETURN TUBE FROM<br>UNDER FLOOR TO PUMP   |
| 17 | 180137   | 1  | TEMPERATURE SENSOR                        |
| 18 | 13000690 | 18 | SCREW COLLAR                              |
| 19 | 194208   | 1  | RETURN RUBBER HOSE                        |
| 20 | 193464   | 1  | DELIVERY RUBBER HOSE                      |
| 21 | 13000790 | 2  | SCREW COLLAR                              |
| 22 | 67191600 | 1  | TUBE FROM 3-WAY TO TGK VALVE              |
| 23 | 13000490 | 1  | SCREW COLLAR                              |
| 24 | 13000390 | 1  | SCREW COLLAR                              |

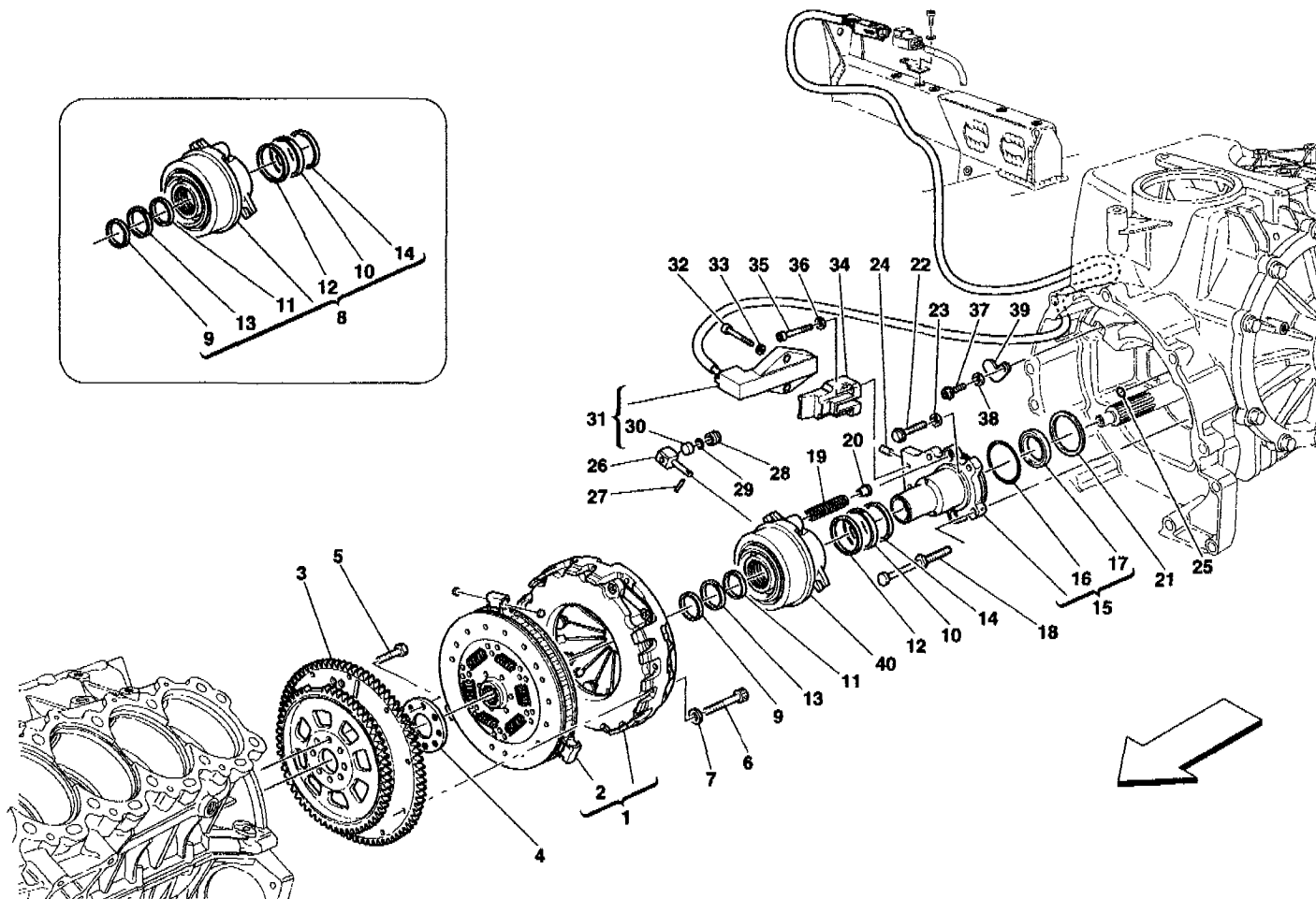
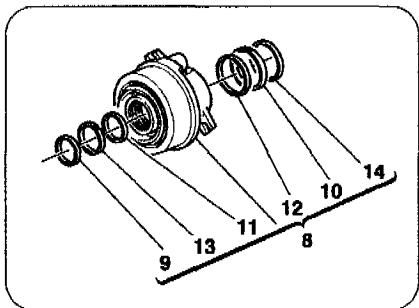
Enzo Ferrari - 20 - COOLING SYSTEM RADIATORS



Enzo Ferrari - 20 - COOLING SYSTEM RADIATORS

|    |          |    |                                      |
|----|----------|----|--------------------------------------|
| 1  | 185782   | 1  | WATER L.H. RADIATOR                  |
| 1  | 185774   | 1  | WATER R.H. RADIATOR                  |
| 2  | 176324   | 2  | WATER OUTLET PLUG                    |
| 3  | 176322   | 1  | TEMPERATURE SWITCH                   |
| 4  | 101508   | 1  | GASKET                               |
| 5  | 194127   | 2  | FLEXIBLE CLIP                        |
| 6  | 194126   | 2  | VENT PIPE                            |
| 7  | 190286   | 1  | R.H. STRAP                           |
| 8  | 190287   | 1  | L.H. STRAP                           |
| 9  | 16043934 | 8  | SCREW                                |
| 10 | 11193974 | 8  | WASHER                               |
| 11 | 107979   | 16 | CUP                                  |
| 12 | 107978   | 16 | PAD                                  |
| 13 | 155395   | 8  | SPACER                               |
| 14 | 16100814 | 4  | NUT                                  |
| 15 | 127496   | 4  | WASHER                               |
| 16 | 14496524 | 4  | WASHER                               |
| 17 | 67363900 | 2  | GASKET                               |
|    |          |    | -Valid for l.h. radiator-            |
| 17 | 67363800 | 1  | GASKET                               |
|    |          |    | -Valid for r.h. radiator-            |
| 18 | 185543   | 2  | RESISTOR                             |
| 19 | 15688375 | 4  | SCREW                                |
| 20 | 185785   | 1  | L.H. HOOD FOR ELECTROFAN             |
| 20 | 188767   | 1  | R.H. HOOD FOR ELECTROFAN             |
| 21 | 195144   | 2  | GASKET                               |
|    |          |    | -Valid for hood front and rear side- |
| 22 | 67352400 | 6  | SCREW                                |
|    |          |    | -M6x12-                              |
| 22 | 62940900 | 2  | SCREW                                |
|    |          |    | -M6x15-                              |
| 23 | 166601   | 8  | WASHER                               |
| 24 | 195199   | 2  | ELECTROFAN                           |
| 25 | 14304224 | 8  | SCREW                                |
| 26 | 12637824 | 8  | WASHER                               |
| 27 | 127493   | 8  | WASHER                               |
| 28 | 66534700 | 1  | R.H. AIR INLET                       |
| 28 | 66534900 | 1  | L.H. AIR INLET                       |
| 29 | 66584800 | 1  | R.H. GASKET                          |
| 29 | 66584700 | 1  | L.H. GASKET                          |
| 30 | 62940900 | 2  | SCREW                                |
|    |          |    | -M6x15-                              |
| 30 | 10902124 | 6  | SCREW                                |
|    |          |    | -M6x14-                              |
| 31 | 12644477 | 2  | WASHER                               |
| 31 | 11193274 | 6  | WASHER                               |
| 32 | 67363700 | 1  | GASKET                               |
|    |          |    | -Valid for r.h. radiator-            |
| 32 | 67364100 | 1  | GASKET                               |
|    |          |    | -Valid for l.h. radiator-            |
| 33 | 67363600 | 1  | GASKET                               |
|    |          |    | -Valid for r.h. radiator-            |
| 33 | 67364000 | 1  | GASKET                               |
|    |          |    | -Valid for l.h. radiator-            |
| 34 | 67363600 | 1  | GASKET                               |
|    |          |    | -Valid for r.h. radiator-            |
| 34 | 67364200 | 1  | GASKET                               |
|    |          |    | -Valid for l.h. radiator-            |
| 35 | 62766300 | 4  | CLIP                                 |

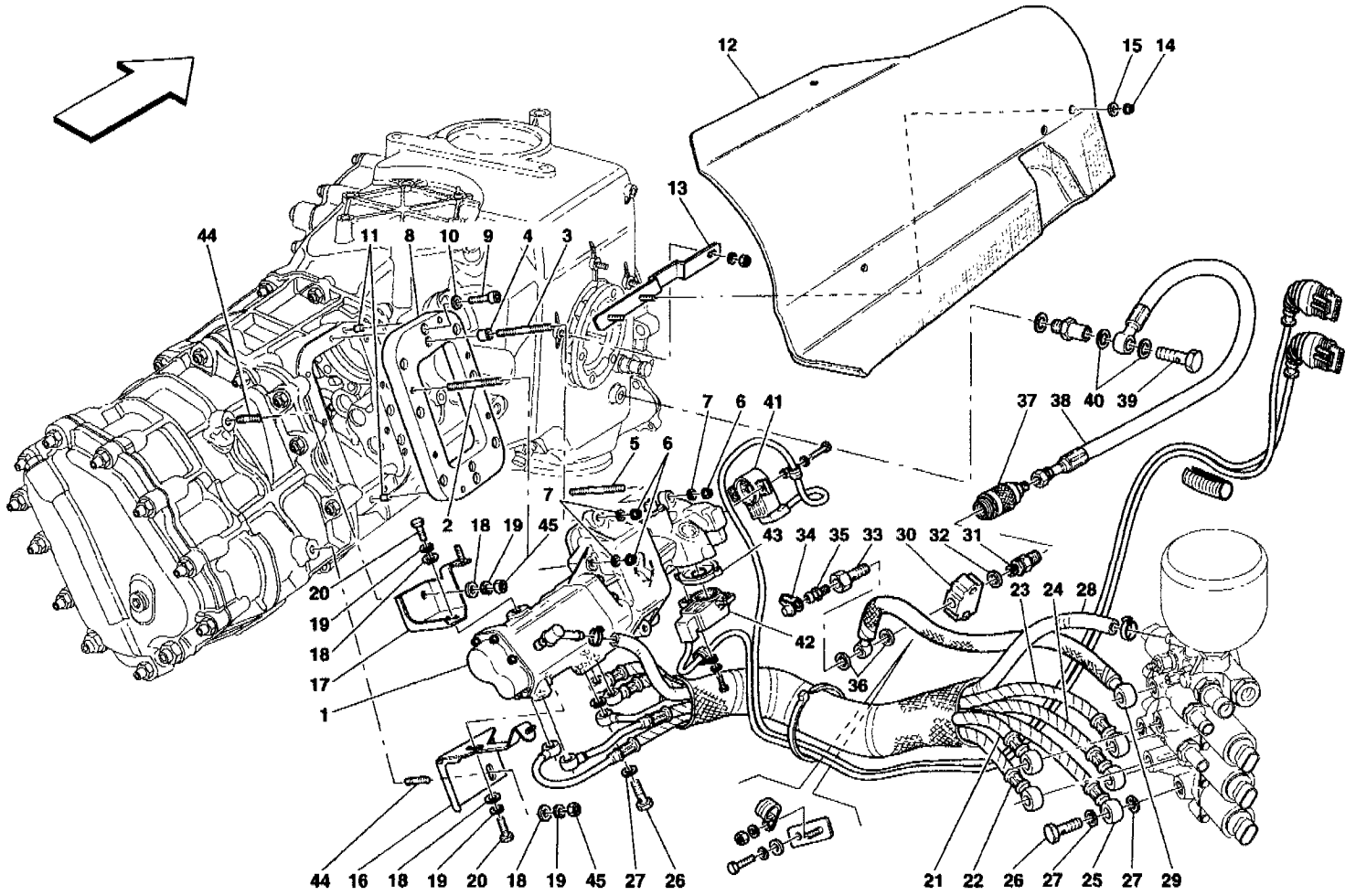
Enzo Ferrari - 21 - CLUTCH CONTROLS



Enzo Ferrari - 21 - CLUTCH CONTROLS

|    |          |   |   |
|----|----------|---|---|
| 1  | 194517   | 1 | COMPLETE CLUTCH<br>-Valid till stock exhaustion-  |
| 2  | 186415   | 1 | CLUTCH BIDISC<br>-Valid till stock exhaustion-<br>-After stock exhaustion use complete<br>194517- |
| 2  | 198824   | 1 | COMPLETE CLUTCH<br>-Valid after stock exhaustion of 194517-                                       |
| 3  | 185983   | 1 | ENGINE FLYWHEEL WITH<br>TOOTHED WHEEL   |
| 4  | 103876   | 1 | FLYWHEEL FIXING WASHER  |
| 5  | 103875   | 8 | SCREW   |
| 6  | 185206   | 9 | SCREW   |
| 7  | 11194377 | 9 | WASHER  |
| 8  | 190771   | 1 | COMPLETE THRUST BEARING<br>-Not as spare part now-  |
| 9  | 181837   | 1 | SCRAPER RING  |
| 10 | 189184   | 1 | SLIDING RING<br>-Not as spare part-<br>-Replaced by 154507-                                       |
| 10 | 154507   | 1 | SLIDING RING  |
| 11 | 181838   | 1 | SEAL RING   |
| 12 | 181828   | 1 | SEAL RING   |
| 13 | 189183   | 1 | SLIDING RING<br>-Not as spare part-<br>-Replaced by 170416-                                       |
| 13 | 170416   | 1 | SLIDING RING  |
| 14 | 181836   | 1 | SCRAPER RING  |
| 15 | 194670   | 1 | FLANGE SUPPORTING BEARING   |
| 16 | 136140   | 1 | O.R. GASKET   |
| 17 | 172363   | 1 | SEAL RING   |
| 18 | 171458   | 2 | STUD FOR END OF STROKE<br>-Not as spare now-<br>-Replaced by 201322-                              |
| 18 | 201322   | 2 | STUD FOR END OF STROKE  |
| 19 | 155207   | 2 | PRELOAD SPRING  |
| 20 | 155206   | 2 | SPACER  |
| 21 | 173360   | 1 | SPACER  |
| 22 | 16052024 | 2 | SCREW   |
| 23 | 12601374 | 2 | WASHER  |
| 24 | 10267550 | 2 | THREADED PLUG   |
| 25 | 166432   | 2 | O.R. GASKET   |
| 26 | 165567   | 1 | PIN   |
| 27 | 14158570 | 1 | FLEXIBLE PIN  |
| 28 | 167802   | 1 | PLUG  |
| 29 | 165658   | 1 | O.R. GASKET   |
| 30 | 165676   | 1 | MAGNET<br>-Not supplied-<br>-Included in 182311-  |
| 31 | 182311   | 1 | COMPLETE SENSOR KIT<br>-Includes sensor ref. 30 and<br>magnet-                                    |
| 32 | 14303324 | 2 | SCREW   |
| 33 | 10519224 | 2 | WASHER  |
| 34 | 178545   | 1 | SUPPORT<br>-Not as spare part now-<br>-Replaced by 201282-  |
| 34 | 201282   | 1 | SUPPORT   |
| 35 | 14358524 | 2 | SCREW   |
| 36 | 10519378 | 2 | WASHER  |
| 37 | 14778114 | 1 | SCREW   |
| 38 | 11188079 | 1 | WASHER  |
| 39 | 194250   | 1 | SMALL PLATE   |
| 40 | 178331   | 1 | THRUST BEARING<br>-Not as spare part-<br>-Replaced by 201024-                                     |
| 40 | 201024   | 1 | THRUST BEARING  |

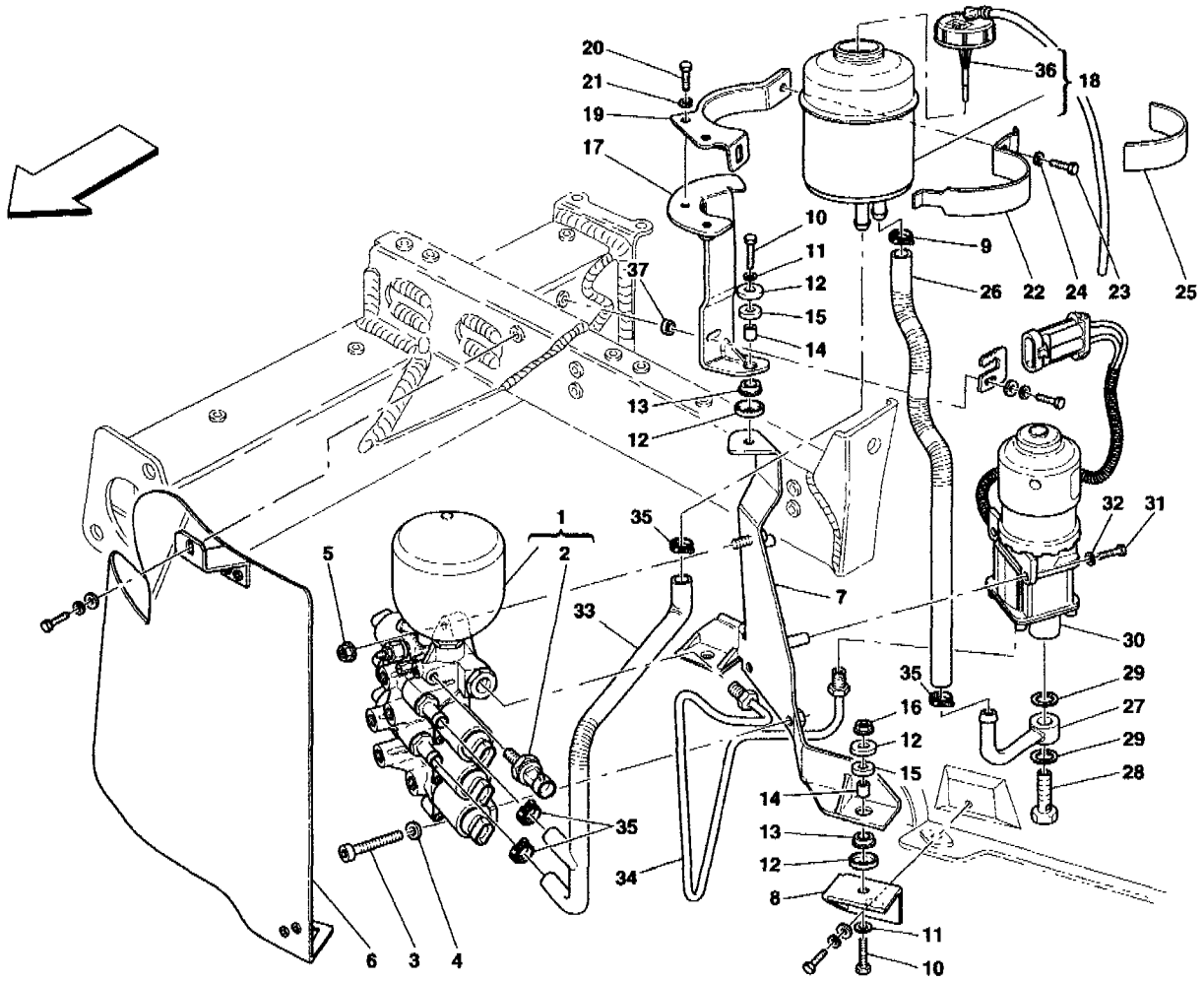
Enzo Ferrari - 22 - F1 CLUTCH HYDRAULIC CONTROL



Enzo Ferrari - 22 - F1 CLUTCH HYDRAULIC CONTROL

|    |          |    |   |
|----|----------|----|---|
| *  | 193477   | 1  | F1 GEARBOX SYSTEM<br>COMPONENTS KIT       |
| 1  | 181160   | 1  | COMPLETE HYDRAULIC ACTUATOR               |
| 2  | 11501024 | 4  | STUD                                      |
| 3  | 11500724 | 2  | STUD                                      |
| 4  | 103038   | 2  | CENTERING DOWEL                           |
| 5  | 11500624 | 2  | STUD                                      |
| 6  | 132877   | 8  | NUT                                       |
| 7  | 12604274 | 8  | WASHER                                    |
| 8  | 189083   | 1  | PLATE                                     |
| 9  | 14432224 | 8  | SCREW                                     |
| 10 | 12648221 | 8  | WASHER                                    |
| 11 | 125717   | 2  | CENTERING DOWEL                           |
| 12 | 196181   | 1  | SHIELD FOR ACTUATOR<br>PROTECTION         |
| 13 | 196222   | 1  | SHIELD SUPPORTING BRACKET                 |
| 14 | 160472   | 4  | NUT                                       |
| 15 | 13577724 | 4  | WASHER                                    |
| 16 | 195549   | 1  | ACTUATOR SUPPORT LOWER BRACKET            |
| 17 | 195550   | 1  | ACTUATOR SUPPORT UPPER BRACKET            |
| 18 | 10519624 | 4  | WASHER                                    |
| 19 | 127496   | 4  | WASHER                                    |
| 20 | 16043124 | 2  | SCREW<br>-Till car Ass. Nr. 48494 Q.ty 4- |
| 21 | 189767   | 1  | PIPE (EV1)                                |
| 22 | 189768   | 1  | PIPE (EV2)                                |
| 23 | 189769   | 1  | PIPE (EV3)                                |
| 24 | 189771   | 1  | PIPE (EV4)                                |
| 25 | 189772   | 1  | PIPE (EV5)                                |
| 26 | 171454   | 11 | UNION                                     |
| 27 | 10261060 | 22 | GASKET                                    |
| 28 | 191775   | 1  | OIL RECYCLING PIPE                        |
| 29 | 195838   | 1  | PIPE FROM PUMP TO BLOCK                   |
| 30 | 175667   | 1  | BLOCK                                     |
| 31 | 172965   | 1  | MALE COUPLING                             |
| 32 | 171755   | 1  | WASHER                                    |
| 33 | 171630   | 1  | UNION                                     |
| 34 | 152955   | 1  | PROTECTION BOOT                           |
| 35 | 152954   | 1  | BLEEDER SCREW                             |
| 36 | 10261060 | 2  | GASKET                                    |
| 37 | 172964   | 1  | FEMALE COUPLING                           |
| 38 | 193541   | 1  | CLUTCH CONTROL TUBE                       |
| 39 | 171454   | 1  | UNION                                     |
| 40 | 10261060 | 2  | GASKET                                    |
| 41 | 181325   | 1  | SELECTION SENSOR                          |
| 42 | 181325   | 1  | COUPLING SENSOR                           |
| 43 | 192911   | 1  | POTENTIOMETER SUPPORT                     |
| 44 | 13516424 | 2  | STUD<br>-Valid from car Ass. Nr. 48495-   |
| 45 | 16100814 | 2  | NUT<br>-Valid from car Ass. Nr. 48495-    |

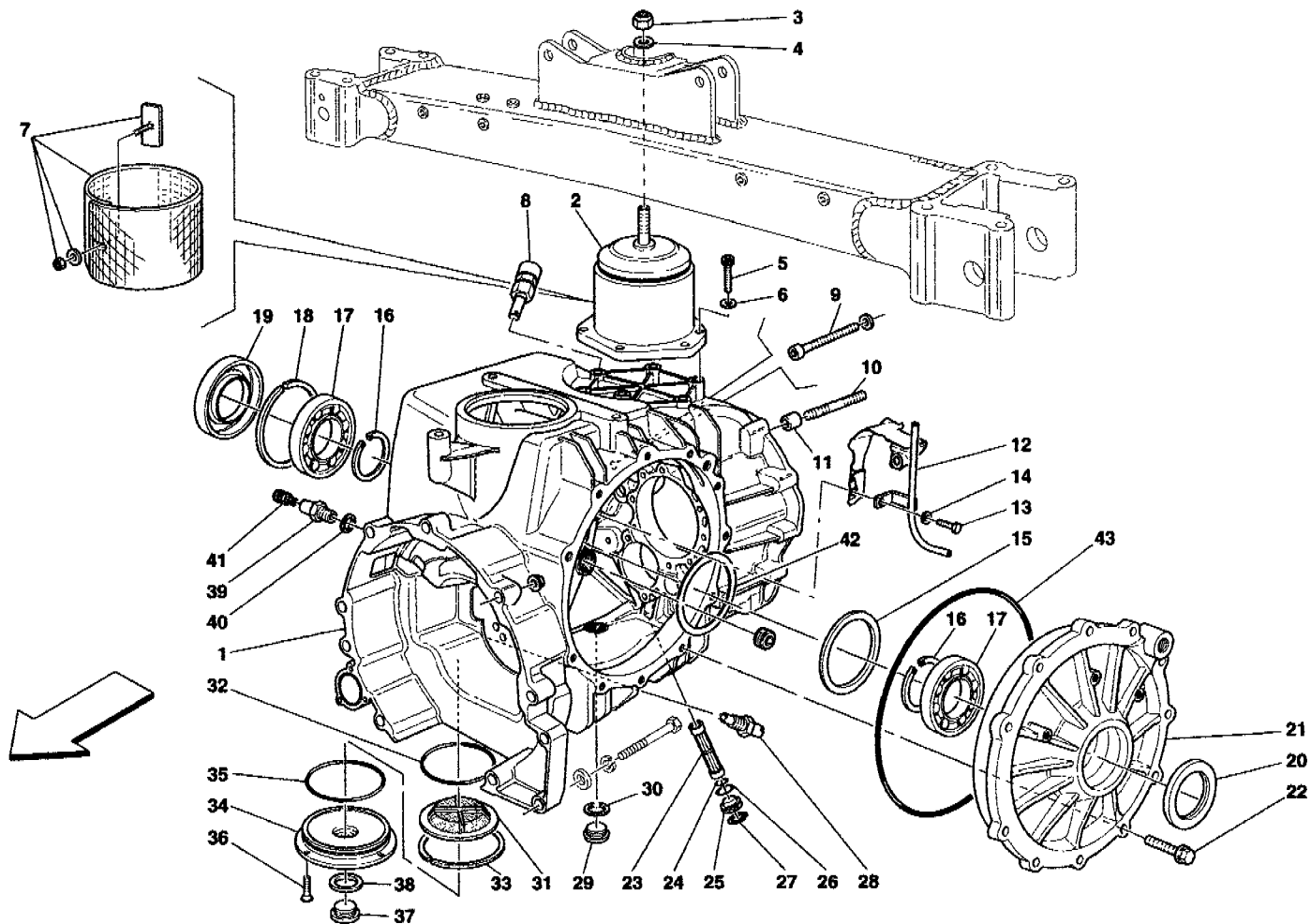
Enzo Ferrari - 23 - POWER UNIT AND TANK



Enzo Ferrari - 23 - POWER UNIT AND TANK

|    |          |   |                                       |
|----|----------|---|---------------------------------------|
| *  | 193477   | 1 | F1 GEARBOX SYSTEM COMPONENTS KIT      |
| 1  | 179533   | 1 | POWER UNIT                            |
| 2  | 190662   | 1 | PRESSURE SENSOR                       |
| 3  | 14306534 | 2 | SCREW                                 |
| 4  | 14496524 | 2 | WASHER                                |
| 5  | 175283   | 1 | NUT                                   |
| 6  | 192710   | 1 | POWER UNIT ANTI-HEAT SHIELD           |
| 7  | 196151   | 1 | POWER UNIT FIXING BRACKET             |
| 8  | 194322   | 2 | LOWER SUPPORT                         |
| 9  | 13000390 | 1 | SCREW COLLAR                          |
| 10 | 10902727 | 2 | SCREW                                 |
|    |          |   | -M6x28-                               |
| 10 | 10903024 | 1 | SCREW                                 |
|    |          |   | -M6x35-                               |
| 11 | 14496424 | 3 | WASHER                                |
| 12 | 179636   | 6 | CUP                                   |
| 13 | 179639   | 3 | LOWER PAD                             |
| 14 | 179637   | 3 | SPACER                                |
| 15 | 179638   | 3 | UPPER PAD                             |
| 16 | 14058411 | 2 | NUT                                   |
| 17 | 194273   | 1 | OIL TANK SUPPORT BRACKET              |
| 18 | 197573   | 1 | OIL TANK                              |
|    |          |   | -Not as spare now-                    |
|    |          |   | -Replaced by 202390-                  |
| 18 | 202390   | 1 | OIL TANK                              |
| 19 | 179593   | 1 | TANK SUPPORT BRACKET                  |
| 20 | 10902124 | 2 | SCREW                                 |
| 21 | 14496424 | 2 | WASHER                                |
| 22 | 171746   | 1 | SUPPORT CLAMP                         |
| 23 | 10902124 | 1 | SCREW                                 |
| 24 | 12601274 | 1 | WASHER                                |
| 25 | 183718   | 1 | SMALL PLATE                           |
| 26 | 193405   | 1 | PIPE FROM TANK TO ELECTRIC PUMP       |
| 27 | 193410   | 1 | UNION                                 |
| 28 | 10185111 | 1 | UNION                                 |
| 29 | 10280050 | 2 | GASKET                                |
| 30 | 178757   | 1 | ELECTRIC PUMP                         |
|    |          |   | -Not as spare part-                   |
|    |          |   | -Replaced by 213264-                  |
| 30 | 213264   | 1 | ELECTRIC PUMP                         |
| 31 | 10902324 | 3 | SCREW                                 |
| 32 | 14496424 | 3 | WASHER                                |
| 33 | 194317   | 1 | RETURN TUBE FROM POWER UNIT TO TANK   |
|    |          |   | -Not as spare now-                    |
|    |          |   | -Replaced by 193425-                  |
| 33 | 193425   | 1 | RETURN TUBE FROM POWER UNIT TO TANK   |
| 34 | 197773   | 1 | PIPE FROM ELECTRIC PUMP TO POWER UNIT |
| 35 | 161490   | 4 | SCREW COLLAR                          |
| 36 | 202522   | 1 | PLUG                                  |
| 37 | 196248   | 1 | SPACER                                |

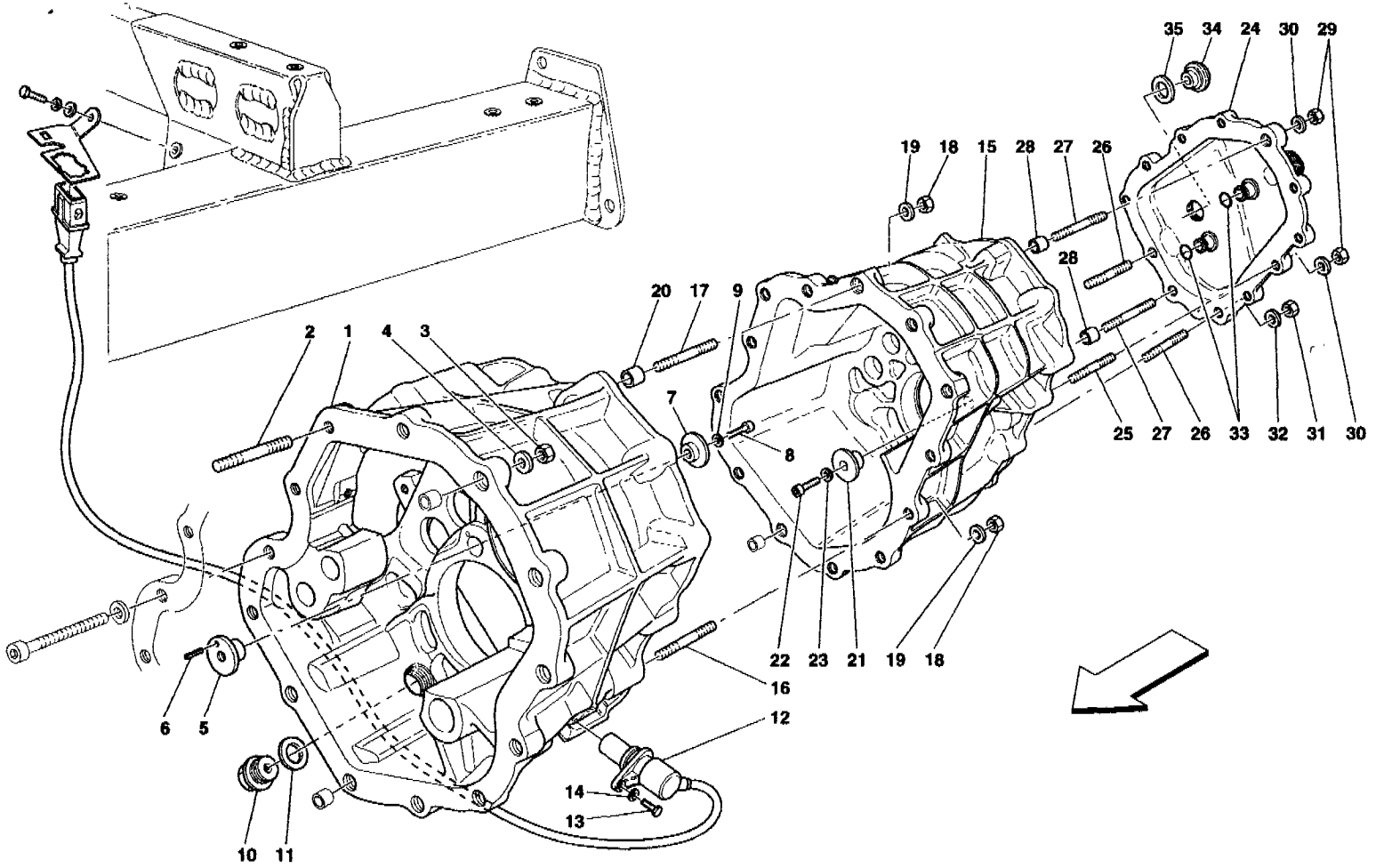
Enzo Ferrari - 24 - GEARBOX / DIFFERENTIAL HOUSING



Enzo Ferrari - 24 - GEARBOX / DIFFERENTIAL HOUSING

|     |          |    |   |
|-----|----------|----|---|
| * 1 | 194234   | 1  | COMPLETE GEARBOX ASSEMBLY                                       |
| 1   | 193481   | 1  | GEARBOX<br>-With the complete gearbox 194234-                   |
| 2   | 194000   | 1  | PAD   |
| 3   | 12577411 | 1  | NUT   |
| 4   | 10730921 | 1  | WASHER  |
| 5   | 14307524 | 6  | SCREW   |
| 6   | 12604574 | 6  | WASHER  |
| 7   | 193774   | 1  | ANTI-HEAT SHIELD  |
| 8   | 196731   | 1  | COMPLETE OIL VENT<br>-Not as spare now-<br>-Replaced by 197798- |
| 8   | 197798   | 1  | COMPLETE OIL VENT   |
| 9   | 14306624 | 1  | SCREW   |
| 10  | 13543724 | 4  | STUD<br>-L= 35mm-   |
| 10  | 13543624 | 1  | STUD<br>-L= 30mm-   |
| 10  | 13543824 | 1  | STUD<br>-L= 40mm-   |
| 11  | 102704   | 2  | CENTERING DOWEL   |
| 12  | 190177   | 1  | LUBRIFICATION PIPE  |
| 13  | 10979424 | 1  | SCREW   |
| 14  | 11194377 | 1  | WASHER  |
| 15  | 185026   | 1  | RING<br>-Th. 6,8mm-   |
| 16  | 184994   | 2  | FLEXIBLE RING   |
| 17  | 184995   | 2  | BALL BEARING  |
| 18  | 185723   | 1  | SEEGER RING   |
| 19  | 184006   | 1  | R.H. SEAL RING  |
| 20  | 181617   | 1  | L.H. SEAL RING  |
| 21  | 193510   | 1  | DIFFERENTIAL COVER  |
| 22  | 16288424 | 11 | SCREW   |
| 23  | 190182   | 1  | OIL SUCTION FILTER  |
| 24  | 14452881 | 1  | O.R. GASKET   |
| 25  | 190181   | 1  | PLUG  |
| 26  | 14453181 | 1  | O.R. GASKET   |
| 27  | 11057476 | 1  | SEEGER RING   |
| 28  | 104628   | 1  | THERMISTOR  |
| 29  | 183962   | 1  | MAGNETIC PLUG   |
| 30  | 10263460 | 1  | GASKET  |
| 31  | 122429   | 1  | OIL SUCTION FILTER  |
| 32  | 190183   | 1  | GASKET  |
| 33  | 185723   | 1  | SEEGER RING   |
| 34  | 185927   | 1  | FILTER COVER  |
| 35  | 14455981 | 1  | GASKET  |
| 36  | 14440620 | 4  | SCREW   |
| 37  | 10276140 | 1  | PLUG  |
| 38  | 10265060 | 1  | GASKET  |
| 39  | 189252   | 2  | UNION   |
| 40  | 10280060 | 2  | GASKET  |
| 41  | 121699   | 1  | BLEEDER SCREW   |
| 42  | 185029   | 1  | RING<br>-Th. 3,30mm-  |
| 43  | 14468881 | 1  | O.R. GASKET   |

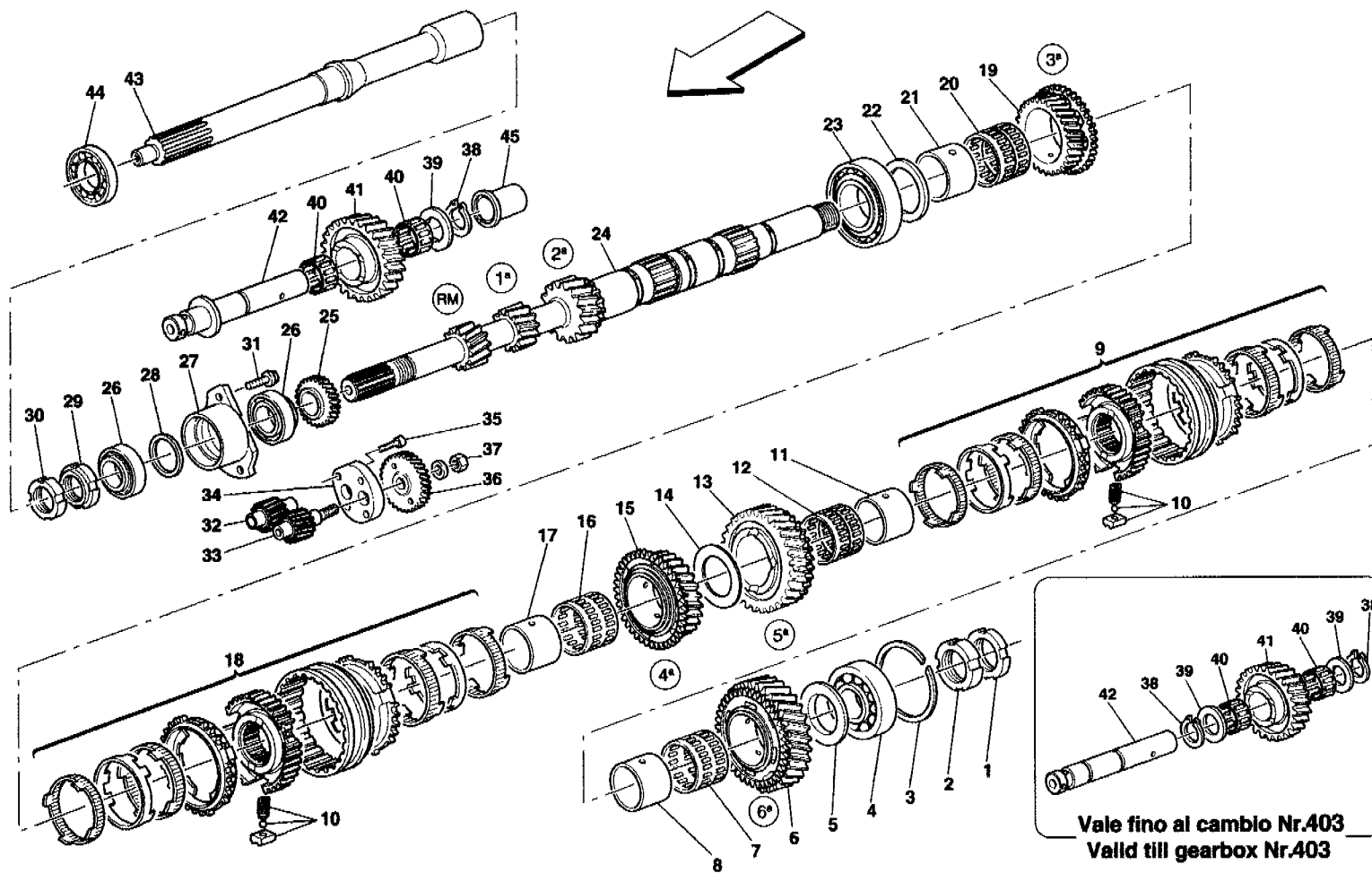
Enzo Ferrari - 25 - GEARBOX - REAR PART GEARBOXES HOUSING AND COVER



Enzo Ferrari - 25 - GEARBOX - REAR PART GEARBOXES HOUSING AND COVER

|    |          |    |  |
|----|----------|----|--|
| *  | 194234   | 1  | COMPLETE GEARBOX ASSEMBLY                                  |
| 1  | 185744   | 1  | GEAR BOX 3rd ELEMENT<br>-With the complete gearbox 194234- |
| 2  | 13543524 | 3  | STUD   |
| 3  | 16100812 | 12 | NUT  |
| 4  | 12601374 | 13 | WASHER   |
| 5  | 157009   | 1  | BUSHING  |
| 6  | 14159470 | 1  | FLEXIBLE PIN   |
| 7  | 157010   | 1  | BUSHING  |
| 8  | 14305731 | 1  | SCREW  |
| 9  | 10569274 | 1  | WASHER   |
| 10 | 10305111 | 1  | THREADED PLUG  |
| 11 | 10263460 | 1  | GASKET   |
| 12 | 168729   | 1  | ELECTRO-MAGNETIC SENSOR                                    |
| 13 | 10902224 | 1  | SCREW  |
| 14 | 11194377 | 1  | WASHER   |
| 15 | 185743   | 1  | GEAR BOX 2rd ELEMENT<br>-With the complete gearbox 194234- |
| 16 | 13543524 | 11 | STUD   |
| 17 | 13543624 | 2  | STUD   |
| 18 | 16100812 | 13 | NUT  |
| 19 | 12601374 | 13 | WASHER   |
| 20 | 102704   | 2  | CENTERING DOWEL  |
| 21 | 131757   | 1  | BUSHING  |
| 22 | 14305731 | 1  | SCREW  |
| 23 | 10569274 | 1  | WASHER   |
| 24 | 185372   | 1  | REAR COVER   |
| 25 | 13543624 | 8  | STUD   |
| 26 | 13546524 | 2  | STUD   |
| 27 | 13543724 | 2  | STUD   |
| 28 | 102704   | 2  | CENTERING DOWEL  |
| 29 | 16100812 | 10 | NUT  |
| 30 | 12601374 | 10 | WASHER   |
| 31 | 12164712 | 2  | NUT  |
| 32 | 12601474 | 2  | WASHER   |
| 33 | 137192   | 2  | O.R. GASKET  |
| 34 | 10305111 | 1  | THREADED PLUG  |
| 35 | 10263460 | 1  | GASKET   |

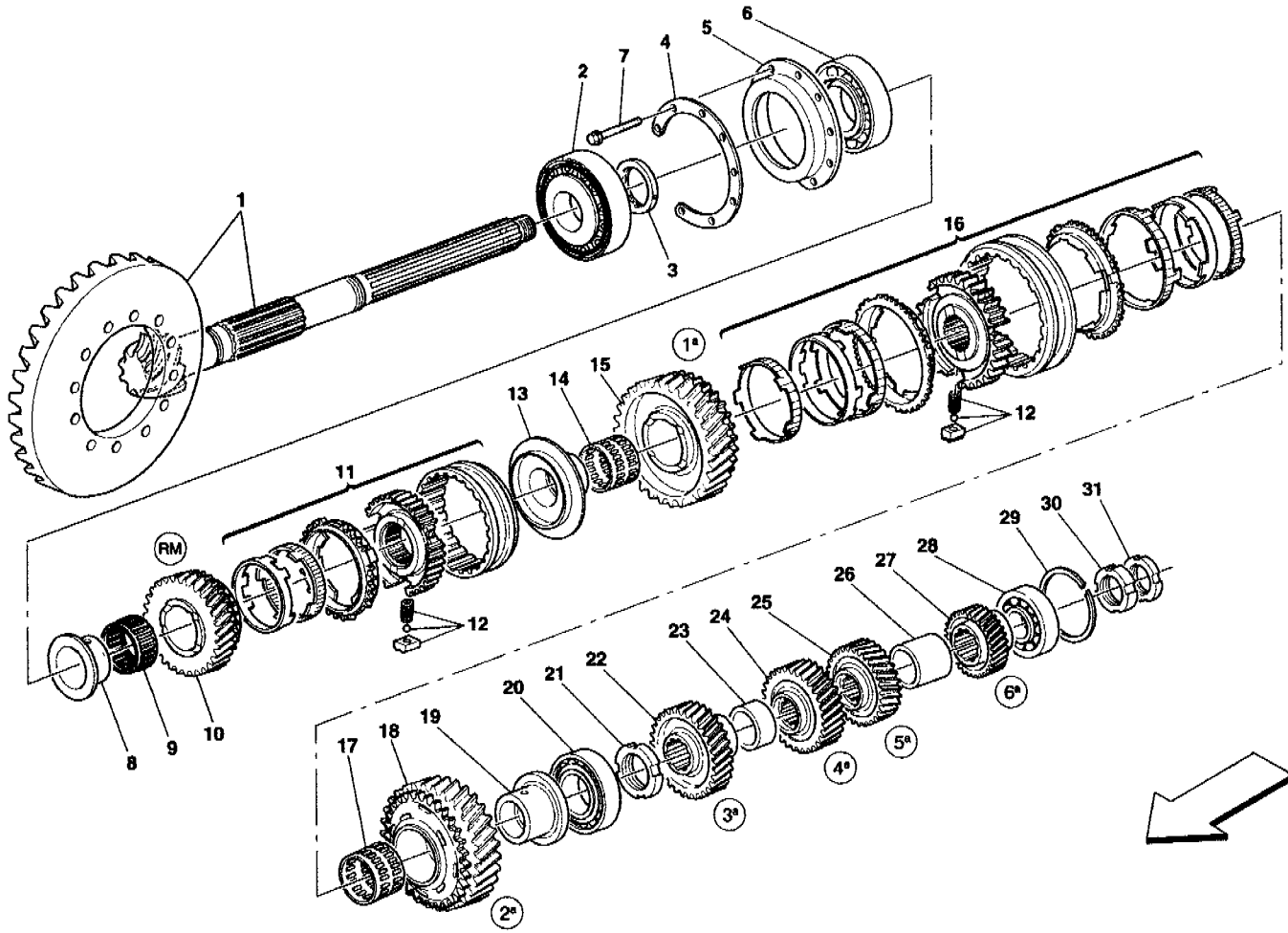
Enzo Ferrari - 26 - MAIN SHAFT GEARS



Enzo Ferrari - 26 - MAIN SHAFT GEARS

|    |          |   |   |
|----|----------|---|---|
| 1  | 163684   | 1 | RING NUT  |
| 2  | 163670   | 1 | RING NUT  |
| 3  | 144511   | 1 | STOP RING   |
| 4  | 103030   | 1 | ROLLER BEARING  |
| 5  | 189704   | 1 | RING  |
| 6  | 190191   | 1 | PINION FOR 6th GEAR   |
| 7  | 109002   | 1 | ROLLER CAGE   |
| 8  | 189705   | 1 | BUSHING   |
| 9  | 190185   | 1 | 5th AND 6th GEAR COMPLETE<br>SYNCHRONIZER                                     |
| 10 | 194029   | 2 | PAD FOR SYNCHRONIZER/BALL/<br>SPRING REPLACEMENT KIT                          |
| 11 | 195809   | 1 | BUSHING   |
| 12 | 109002   | 1 | ROLLER CAGE   |
| 13 | 190190   | 1 | PINION FOR 5th GEAR   |
| 14 | 195810   | 1 | RING  |
| 15 | 190189   | 1 | PINION FOR 4th GEAR   |
| 16 | 109002   | 1 | ROLLER CAGE   |
| 17 | 195809   | 1 | BUSHING   |
| 18 | 190184   | 1 | 3th AND 4th GEAR COMPLETE<br>SYNCHRONIZER                                     |
| 19 | 190188   | 1 | PINION FOR 3rd GEAR   |
| 20 | 109002   | 1 | ROLLER CAGE   |
| 21 | 189656   | 1 | BUSHING   |
| 22 | 189700   | 1 | RING  |
| 23 | 131056   | 1 | ROLLER BEARING  |
| 24 | 190209   | 1 | MAIN SHAFT FOR GEAR<br>LEVER  |
| 25 | 190210   | 1 | DRIVING GEAR  |
| 26 | 190212   | 2 | ROLLER BEARING  |
| 27 | 190208   | 1 | BEARING SUPPORT   |
| 28 | 190211   | 1 | SPACER  |
| 29 | 163670   | 1 | RING NUT  |
| 30 | 163684   | 1 | RING NUT  |
| 31 | 16287521 | 3 | SCREW   |
| 32 | 109723   | 1 | OIL PUMP DRIVEN GEAR  |
| 33 | 190178   | 1 | OIL PUMP DRIVING GEAR   |
| 34 | 190179   | 1 | OIL PUM COVER   |
| 35 | 14305731 | 4 | SCREW   |
| 36 | 190180   | 1 | DRIVEN GEAR TRANSMISSION  |
| 37 | 16100812 | 1 | NUT   |
| 38 | 158272   | 2 | FLEXIBLE RING   |
| 39 | 193893   | 2 | -Q.ty 1 from gearbox Nr. 404-<br>WASHER<br>-Th. 3,9mm-                        |
| 39 | 193891   | 2 | -Q.ty 1 from gearbox Nr. 404-<br>WASHER<br>-Th. 4mm-<br>-As an alternative-   |
| 39 | 193892   | 2 | -Q.ty 1 from gearbox Nr. 404-<br>WASHER<br>-Th. 4,1mm-<br>-As an alternative- |
| 40 | 104256   | 2 | -Q.ty 1 from gearbox Nr. 404-<br>ROLLER CAGE                                  |
| 41 | 189570   | 1 | IDLE GEAR FOR REVERSE   |
| 42 | 189574   | 1 | PIN   |
| 42 | 211960   | 1 | -Valid till gearbox Nr. 403-<br>PIN   |
| 43 | 190194   | 1 | -Valid from gearbox Nr. 404-<br>CLUTCH SHAFT                                  |
| 44 | 184013   | 1 | BALL BEARING  |
| 45 | 211961   | 1 | SPACER BUSHING<br>-Valid from gearbox Nr. 404-                                |

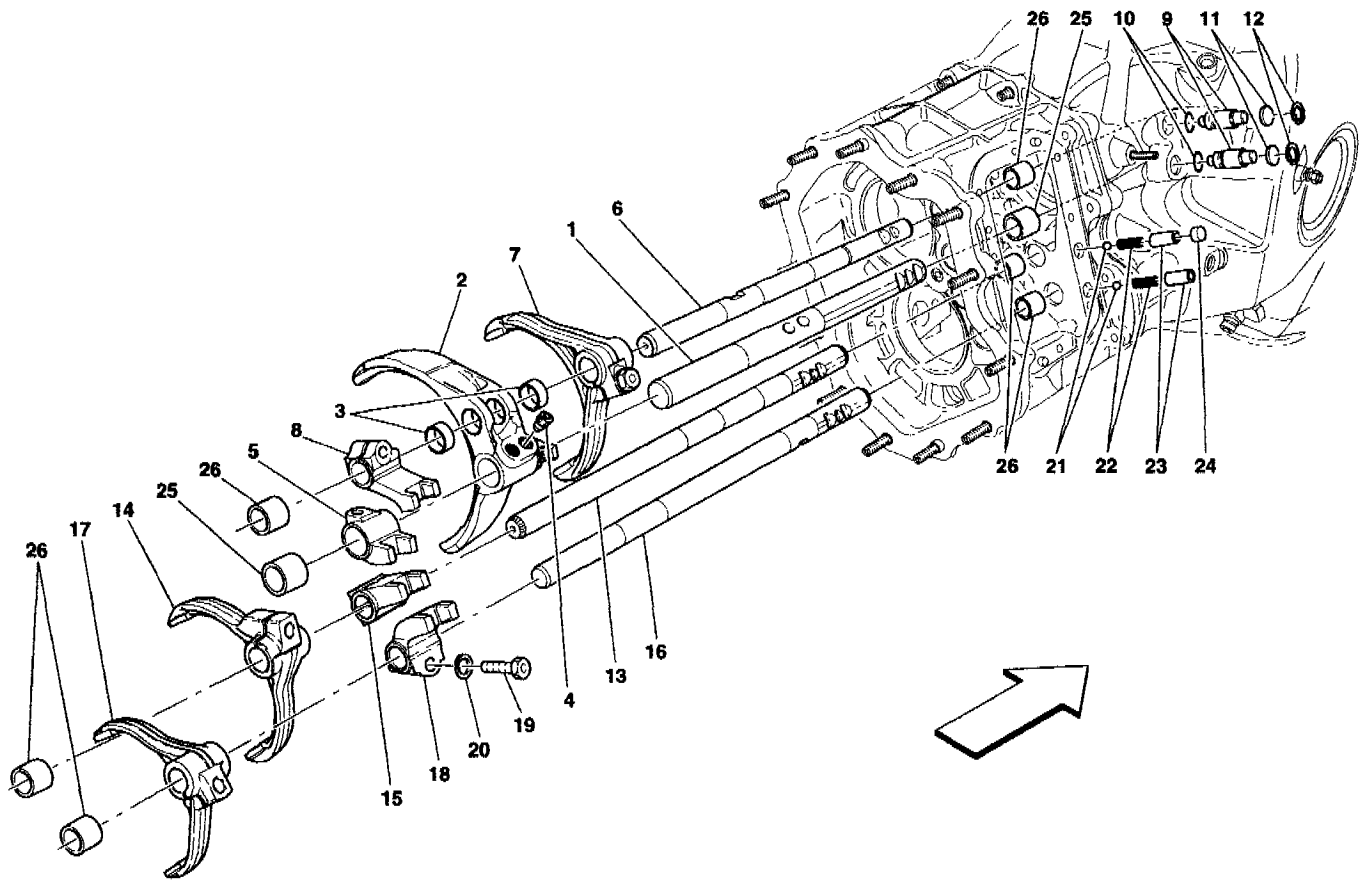
Enzo Ferrari - 27 - SECONDARY SHAFT GEARS



Enzo Ferrari - 27 - SECONDARY SHAFT GEARS

|    |          |   |  |
|----|----------|---|--|
| 1  | 190214   | 1 | BEVEL SET  |
| 2  | 185022   | 1 | ROLLER BEARING                                       |
| 3  | 190206   | 1 | SPACER   |
| 4  | 185042   | 1 | REGISTER RING<br>-Th. 2,8mm-                         |
| 5  | 190205   | 1 | BEARING SUPPORT                                      |
| 6  | 190207   | 1 | ROLLER BEARING                                       |
| 7  | 16287624 | 9 | SCREW  |
| 8  | 190193   | 1 | BUSHING  |
| 9  | 150004   | 1 | ROLLER CAGE  |
| 10 | 189524   | 1 | REVERSE GEAR   |
| 11 | 189522   | 1 | REVERSE GEAR COMPLETE<br>SYNCHRONIZER                |
| 12 | 194029   | 2 | PAD FOR SYNCHRONIZER/BALL/<br>SPRING REPLACEMENT KIT |
| 13 | 189579   | 1 | BUSHING  |
| 14 | 189580   | 1 | ROLLER CAGE  |
| 15 | 190186   | 1 | PINION FOR 1st GEAR                                  |
| 16 | 189587   | 1 | 1th AND 2th GEAR COMPLETE<br>SYNCHRONIZER            |
| 17 | 189580   | 1 | ROLLER CAGE  |
| 18 | 190187   | 1 | PINION FOR 2nd GEAR                                  |
| 19 | 189590   | 1 | BUSHING  |
| 20 | 131056   | 1 | ROLLER BEARING                                       |
| 21 | 189747   | 1 | RING NUT   |
| 22 | 190195   | 1 | PINION FOR 3rd GEAR                                  |
| 23 | 189701   | 1 | SPACER   |
| 24 | 190197   | 1 | PINION FOR 4th GEAR                                  |
| 25 | 190198   | 1 | PINION FOR 5th GEAR                                  |
| 26 | 189702   | 1 | SPACER   |
| 27 | 190199   | 1 | PINION FOR 6th GEAR                                  |
| 28 | 103030   | 1 | ROLLER BEARING                                       |
| 29 | 144511   | 1 | STOP RING  |
| 30 | 163670   | 1 | RING NUT   |
| 31 | 163684   | 1 | RING NUT   |

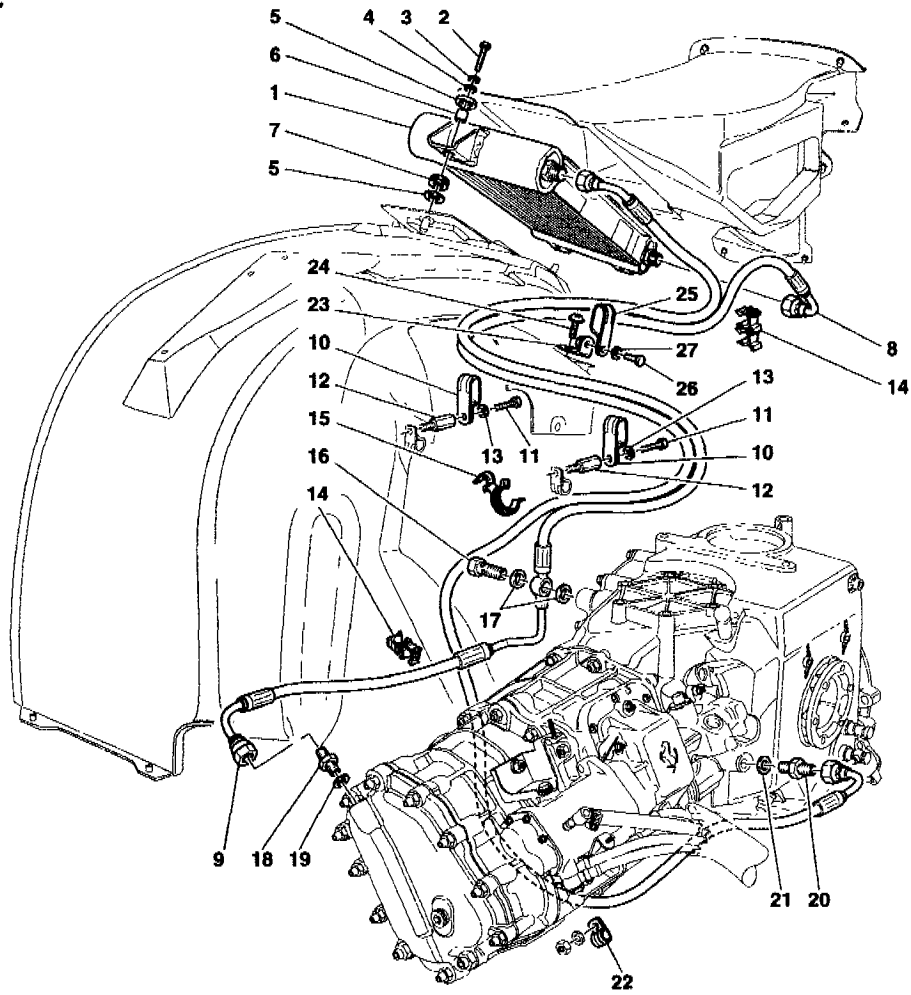
Enzo Ferrari - 28 - INSIDE GEARBOX CONTROLS



Enzo Ferrari - 28 - INSIDE GEARBOX CONTROLS

|    |          |   |                                   |
|----|----------|---|-----------------------------------|
| 1  | 189531   | 1 | ROD FOR 1st AND 2nd GEAR          |
| 2  | 189080   | 1 | CONTROL FORK FOR 1st AND 2nd GEAR |
| 3  | 185566   | 2 | SELF-LUBRICATING BUSHING          |
| 4  | 142245   | 2 | SCREW                             |
| 5  | 189078   | 1 | ROD FORK FOR 1st AND 2nd GEAR     |
| 6  | 185314   | 1 | CONTROL ROD FOR REVERSE           |
| 7  | 189528   | 1 | CONTROL FORK FOR REVERSE          |
| 8  | 189077   | 1 | ROD FORK REVERSE                  |
| 9  | 153719   | 2 | PIN                               |
| 10 | 14453381 | 2 | O.R. GASKET                       |
| 11 | 154698   | 2 | PAD                               |
| 12 | 11057476 | 2 | SEEGER RING                       |
| 13 | 158051   | 1 | ROD FOR 3rd AND 4th GEAR          |
| 14 | 189532   | 1 | CONTROL FORK FOR 3rd AND 4th GEAR |
| 15 | 189081   | 1 | ROD FORK FOR 3rd AND 4rd GEAR     |
| 16 | 189533   | 1 | ROD FOR 5TH AND 6TH GEAR          |
| 17 | 189534   | 1 | CONTROL FORK FOR 5th AND 6th GEAR |
| 18 | 189082   | 1 | ROD FORK FOR 5th AND 6th GEAR     |
| 19 | 16043634 | 7 | SCREW                             |
| 20 | 10571779 | 7 | WASHER                            |
| 21 | 101612   | 2 | BALL                              |
| 22 | 100750   | 2 | SPRING                            |
| 23 | 115376   | 2 | BUSHING                           |
| 24 | 150173   | 1 | SPACER                            |
| 25 | 150093   | 2 | SELF-LUBRICATING BUSHING          |
| 26 | 106500   | 6 | SELF-LUBRICATING BUSHING          |

Enzo Ferrari - 29 - COOLING SYSTEM GEARBOX OIL



Enzo Ferrari - 29 - COOLING SYSTEM GEARBOX OIL

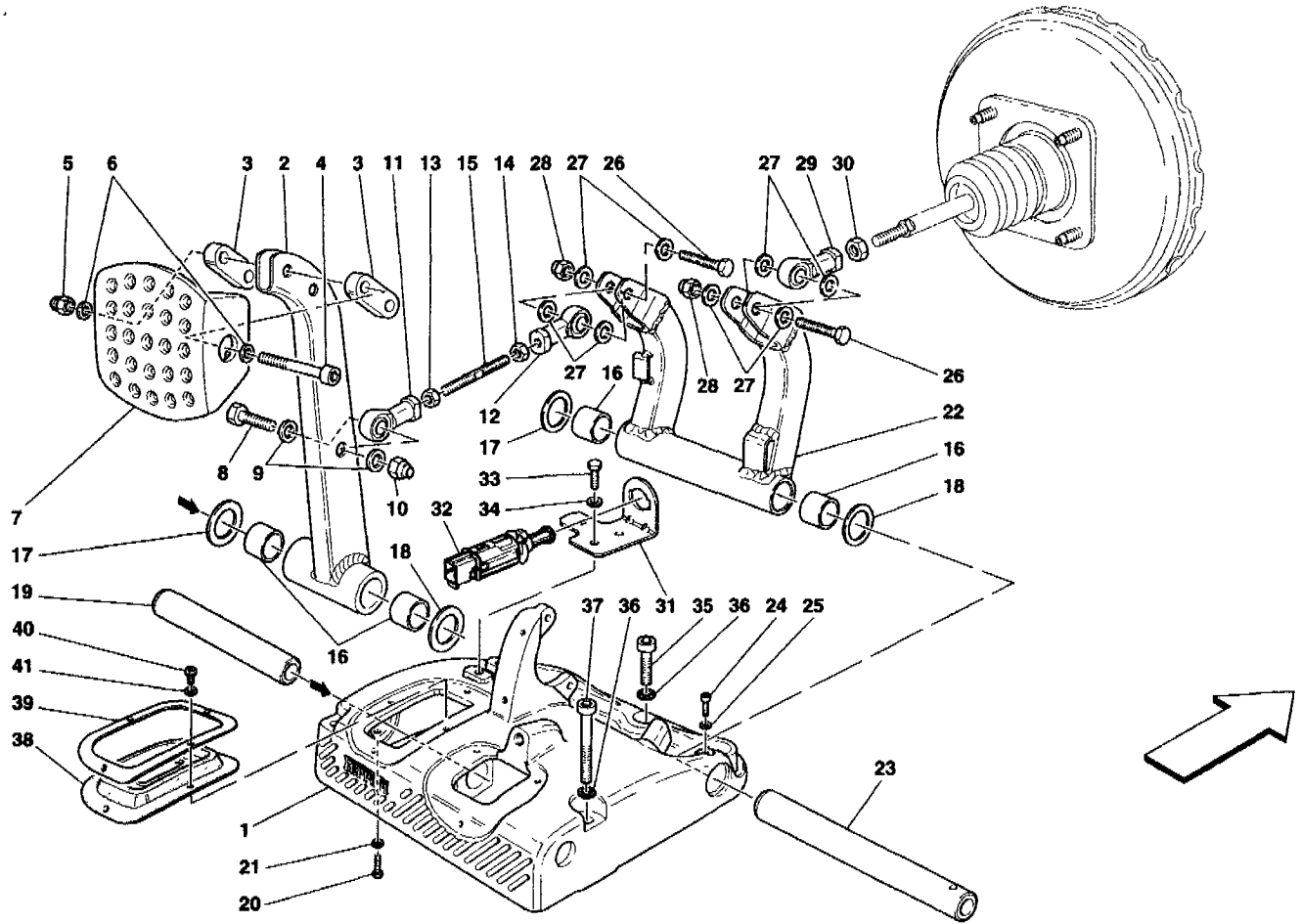
|    |          |   |   |
|----|----------|---|---|
| 1  | 187119   | 1 | OIL RADIATOR                                |
| 2  | 16043934 | 3 | SCREW                                       |
| 3  | 127496   | 3 | WASHER                                      |
| 4  | 14496524 | 3 | WASHER                                      |
| 5  | 107979   | 6 | CUP   |
| 6  | 155395   | 3 | SPACER                                      |
| 7  | 107978   | 3 | PAD   |
| 8  | 195019   | 1 | OIL DELIVERY RADIATOR HOSE                  |
| 9  | 195020   | 1 | SEMI-RIGID RETURN PIPE FROM<br>OIL RADIATOR |
| 10 | 10116401 | 2 | BRACKET WITH SHEATH                         |
| 11 | 10979424 | 2 | SCREW                                       |
| 12 | 178772   | 2 | STUD  |
| 13 | 14496424 | 2 | WASHER                                      |
| 14 | 145543   | 2 | FLEXIBLE CLIP                               |
| 15 | 183098   | 1 | FLEXIBLE CLIP                               |
| 16 | 184727   | 1 | UNION                                       |
| 17 | 145192   | 2 | GASKET                                      |
| 18 | 134988   | 1 | UNION                                       |
| 19 | 10257060 | 1 | GASKET                                      |
| 20 | 194163   | 1 | UNION                                       |
|    |          |   | -Not as spare part now-                     |
|    |          |   | -Replaced by 203182-                        |
| 20 | 203182   | 1 | UNION                                       |
| 21 | 10280060 | 1 | GASKET                                      |
| 22 | 10450390 | 3 | BRACKET WITH SHEATH                         |
| 23 | 142060   | 1 | BRACKET                                     |
| 24 | 64830600 | 1 | SCREW                                       |
| 25 | 10441890 | 1 | BRACKET WITH SHEATH                         |
| 26 | 10979414 | 1 | SCREW                                       |
| 27 | 12644424 | 1 | WASHER                                      |



Enzo Ferrari - 30 - DIFFERENTIAL AND AXLE SHAFTS

|    |          |    |                                     |
|----|----------|----|-------------------------------------|
| 1  | 190006   | 1  | COMPLETE DIFFERENTIAL               |
| 2  | 184998   | 2  | ROLLER BEARING                      |
| 3  | 185014   | 1  | R.H. SHAFT FOR DIFFERENTIAL<br>EXIT |
|    |          |    | -Not as spare part now-             |
|    |          |    | -Replaced by 199055-                |
| 3  | 199055   | 1  | R.H. SHAFT FOR DIFFERENTIAL<br>EXIT |
| 4  | 182322   | 1  | L.H. SHAFT FOR DIFFERENTIAL<br>EXIT |
|    |          |    | -Not as spare part now-             |
|    |          |    | -Replaced by 199056-                |
| 4  | 199056   | 1  | L.H. SHAFT FOR DIFFERENTIAL<br>EXIT |
| 5  | 183909   | 12 | SCREW                               |
| 6  | 187647   | 2  | AXLE SHAFT                          |
| 7  | 181910   | 12 | SCREW                               |
|    |          |    | -Not as spare part-                 |
|    |          |    | -Replaced by 206086-                |
| 7  | 206086   | 12 | SCREW                               |
| 8  | 149415   | 6  | PLATE                               |
| 9  | 184083   | 2  | SHIELD FOR AXLE SHAFT<br>PROTECTION |
| 10 | 13540924 | 6  | STUD                                |
| 11 | 12639724 | 6  | WASHER                              |
| 12 | 12601274 | 6  | WASHER                              |
| 13 | 14048115 | 6  | NUT                                 |

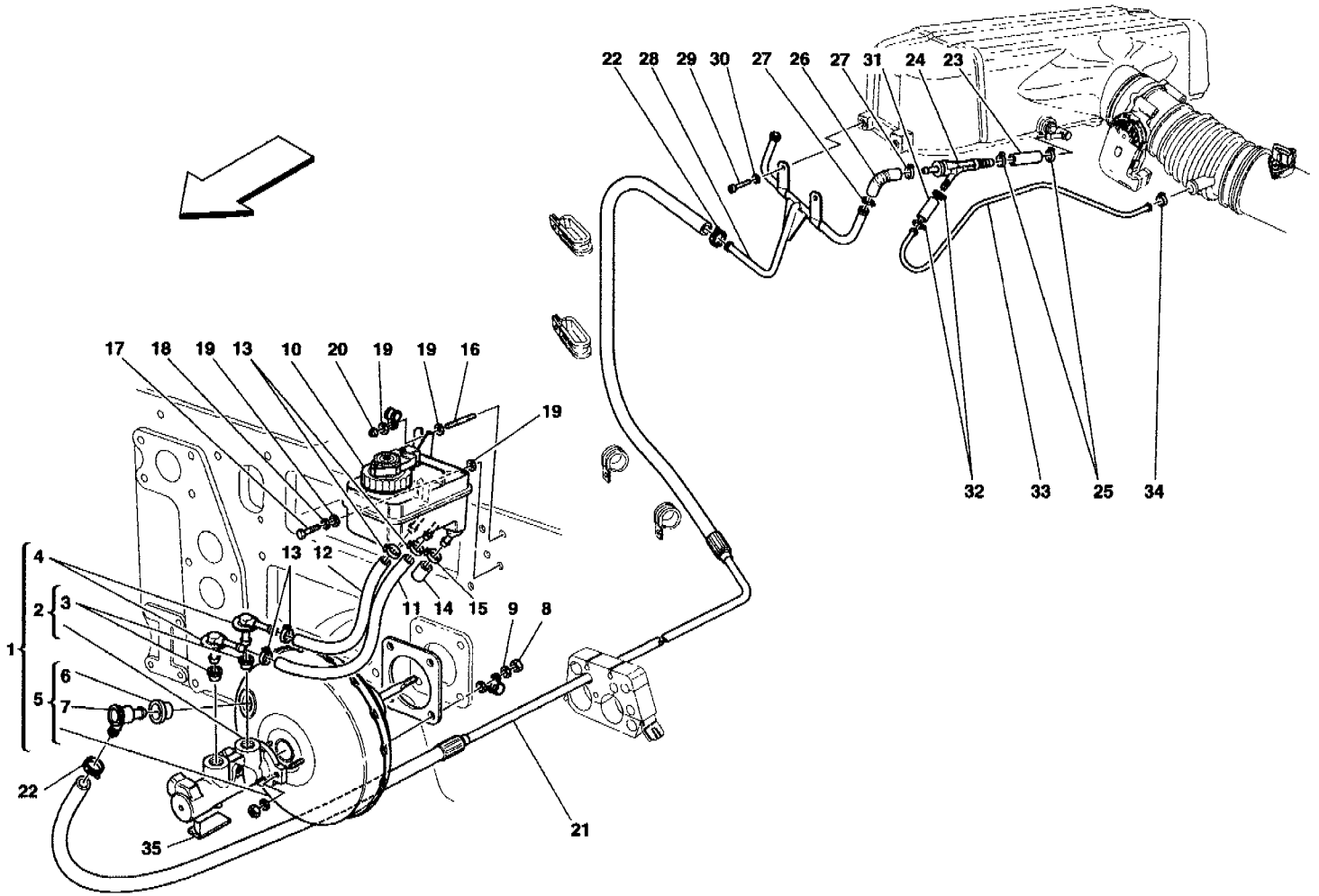
Enzo Ferrari - 31 - PEDALS - BRAKE PEDAL



Enzo Ferrari - 31 - PEDALS - BRAKE PEDAL

|    |          |   |  |
|----|----------|---|--|
| 1  | 186050   | 1 | PEDAL SUPPORT                                |
| 2  | 186055   | 1 | BRAKE PEDAL                                  |
| 3  | 187017   | 2 | SPACER                                       |
| 4  | 14304824 | 2 | SCREW  |
| 5  | 14037211 | 2 | CAP NUT                                      |
| 6  | 12639724 | 2 | WASHER                                       |
| 7  | 186059   | 1 | BRAKE PEDAL PLATE                            |
| 8  | 187025   | 1 | SCREW  |
| 9  | 10730314 | 2 | WASHER                                       |
| 10 | 14037311 | 1 | CAP NUT                                      |
| 11 | 145482   | 1 | BALL JOINT                                   |
| 12 | 145483   | 1 | BALL JOINT                                   |
| 13 | 16102914 | 1 | NUT  |
| 14 | 16102314 | 1 | NUT  |
| 15 | 186064   | 1 | SPRAG  |
| 16 | 103163   | 4 | SELF-LUBRICATING BUSHING                     |
| 17 | 178340   | 2 | WASHER<br>-Th. 1,5mm-                        |
| 18 | 106083   | 2 | WASHER<br>-Th. 1mm-                          |
| 18 | 113833   | 2 | WASHER<br>-Th. 1,1mm-                        |
| 18 | 113834   | 2 | WASHER<br>-As an alternative-<br>-Th. 1,2mm- |
| 18 | 113835   | 2 | WASHER<br>-As an alternative-<br>-Th. 1,3mm- |
| 18 | 113836   | 2 | WASHER<br>-As an alternative-<br>-Th. 1,4mm- |
| 19 | 186056   | 1 | BRAKE PEDAL PIN                              |
| 20 | 10977724 | 1 | SCREW  |
| 21 | 11181574 | 1 | WASHER                                       |
| 22 | 186061   | 1 | TRANSMISSION BRAKE PEDAL                     |
| 23 | 186062   | 1 | TRANSMISSION BRAKE PEDAL PIN                 |
| 24 | 10977724 | 1 | SCREW  |
| 25 | 11181574 | 1 | WASHER                                       |
| 26 | 187030   | 2 | SCREW  |
| 27 | 10730314 | 8 | WASHER                                       |
| 28 | 14037311 | 2 | CAP NUT                                      |
| 29 | 145483   | 1 | BALL JOINT                                   |
| 30 | 16102314 | 1 | NUT  |
| 31 | 186053   | 1 | SWITCH SUPPORT                               |
| 32 | 183433   | 1 | PUSH-BUTTON SWITCH                           |
| 33 | 10977724 | 2 | SCREW  |
| 34 | 11181574 | 2 | WASHER                                       |
| 35 | 14814234 | 1 | SCREW  |
| 36 | 11199874 | 3 | WASHER                                       |
| 37 | 14815034 | 2 | SCREW  |
| 38 | 186801   | 1 | BRAKE PEDAL RUBBER BOOT                      |
| 39 | 186799   | 1 | PLATE  |
| 40 | 13271872 | 4 | SCREW  |
| 41 | 12601074 | 4 | WASHER                                       |

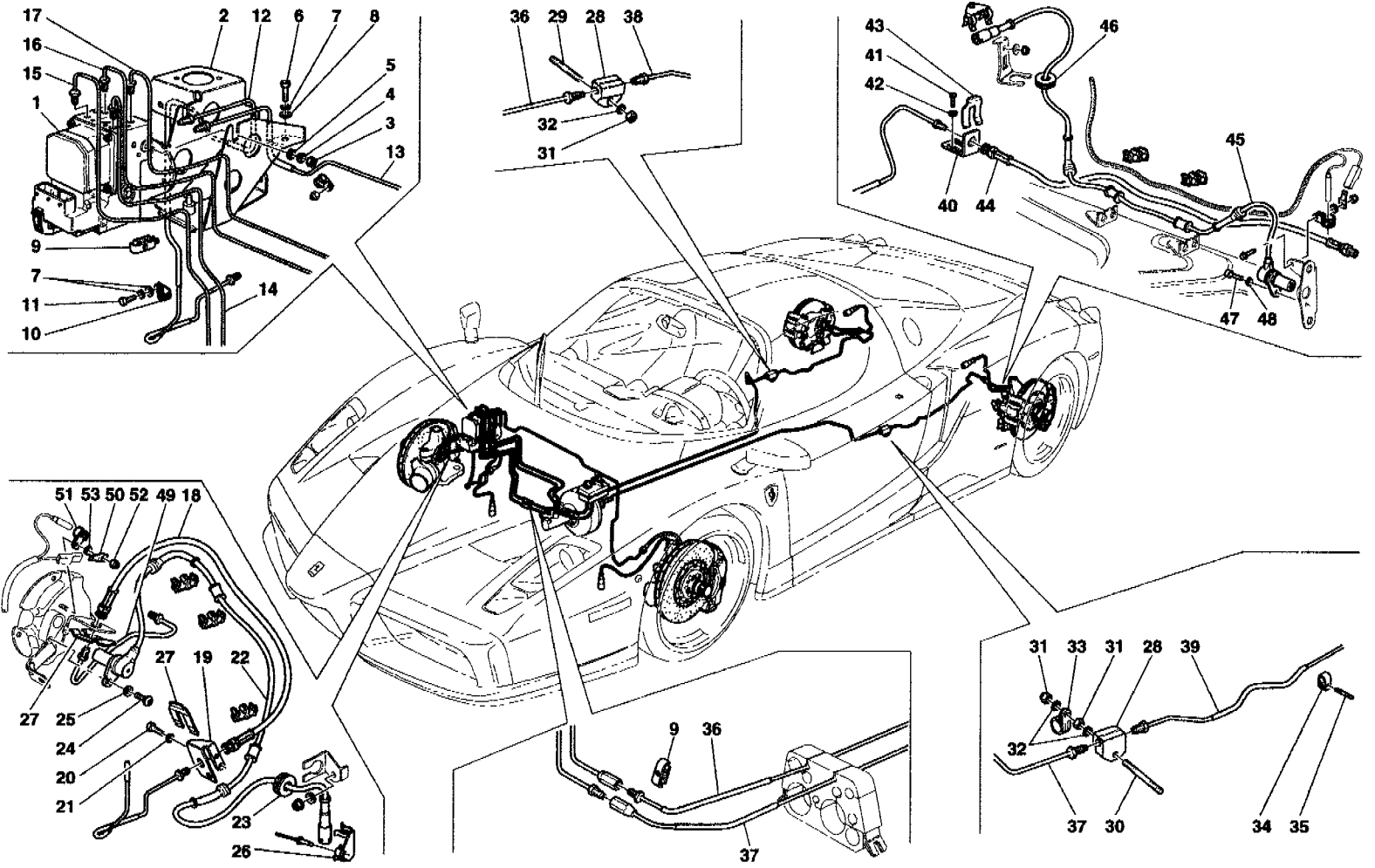
Enzo Ferrari - 32 - BRAKES HYDRAULIC CONTROLS AND BRAKE BOOSTER SYSTEM



Enzo Ferrari - 32 - BRAKES HYDRAULIC CONTROLS AND BRAKE BOOSTER SYSTEM

|    |          |   |                                   |
|----|----------|---|-----------------------------------|
| 1  | 186051   | 1 | COMPLETE BRAKE BOOSTER            |
| 2  | 186052   | 1 | BRAKE PUMP                        |
| 3  | 171784   | 2 | CONNECTION FOR BRAKE PUMP         |
| 4  | 183477   | 2 | UNION                             |
| 5  | 180848   | 1 | BOOSTER                           |
| 6  | 151475   | 1 | CABLE GROMMET                     |
| 7  | 144552   | 1 | UNION                             |
| 8  | 147985   | 4 | NUT                               |
| 9  | 12625224 | 4 | WASHER                            |
| 10 | 191008   | 1 | PAN FOR BRAKE LIQUID              |
| 11 | 182244   | 1 | PIPE FROM PAN TO FRONT UNION      |
| 12 | 191007   | 1 | PIPE FROM PAN TO REAR UNION       |
| 13 | 13432070 | 4 | COLLAR FOR SLEEVE                 |
| 14 | 136379   | 1 | PLUG                              |
| 15 | 177995   | 1 | CLAMP                             |
| 16 | 13541224 | 1 | STUD                              |
| 17 | 10902324 | 1 | SCREW                             |
| 18 | 12601274 | 1 | WASHER                            |
| 19 | 12644424 | 4 | WASHER                            |
| 20 | 102741   | 1 | NUT                               |
| 21 | 188361   | 1 | UNDERFLOOR TUBE FOR BRAKE BOOSTER |
| 22 | 13000690 | 2 | SCREW COLLAR                      |
| 23 | 196326   | 2 | RUBBER HOSE                       |
|    |          |   | -Not as spare part-               |
|    |          |   | -Replaced by 8196326-             |
| 23 | 8196326  | 2 | RUBBER HOSE                       |
| 24 | 178529   | 2 | DEPRESSURE VALVE                  |
| 25 | 178052   | 4 | CLAMP                             |
| 26 | 179394   | 2 | RUBBER HOSE CURVED                |
| 27 | 178052   | 4 | CLAMP                             |
| 28 | 193473   | 1 | THREE-WAY RIGID PIPE              |
| 29 | 14305724 | 2 | SCREW                             |
| 30 | 11197774 | 2 | WASHER                            |
| 31 | 146969   | 2 | RUBBER HOSE                       |
| 32 | 178051   | 4 | CLAMP                             |
| 33 | 193475   | 1 | L.H. PIPE FROM SLEEVE TO VALVE    |
| 33 | 193474   | 1 | R.H. PIPE FROM SLEEVE TO VALVE    |
| 34 | 178051   | 2 | CLAMP                             |
| 35 | 205938   | 1 | GASKET                            |

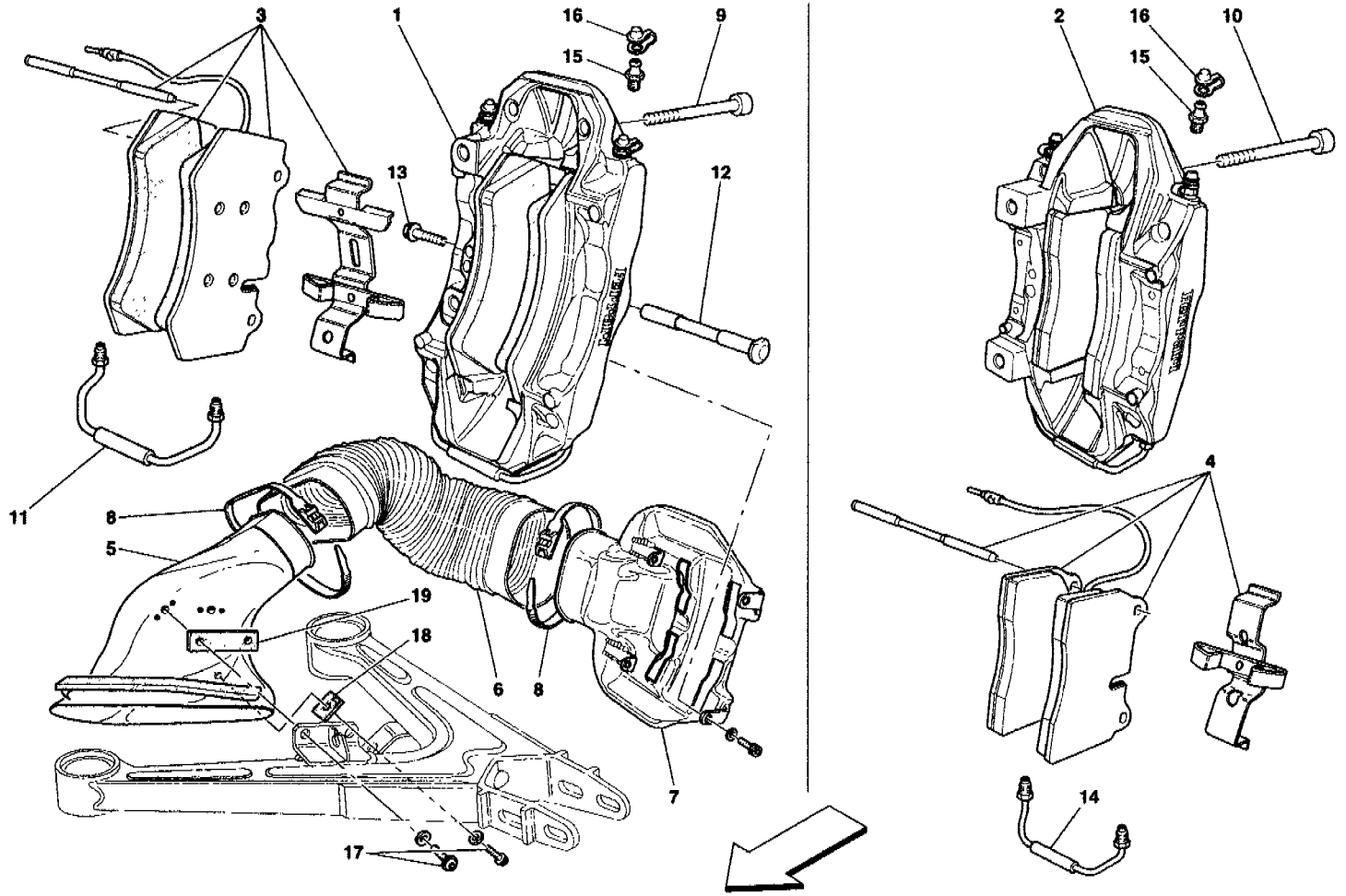
Enzo Ferrari - 33 - BRAKE SYSTEM



## Enzo Ferrari - 33 - BRAKE SYSTEM

|    |          |   |  |
|----|----------|---|--|
| 1  | 186179   | 1 | ABS/ASR HYDRAULIC/ELECTRONIC CONTROL STATION   |
| 2  | 193441   | 1 | CONTROL STATION SUPPORTING BRACKET             |
| 3  | 16100814 | 2 | NUT  |
| 4  | 127496   | 2 | WASHER   |
| 5  | 12638524 | 2 | WASHER   |
| 6  | 10902324 | 3 | SCREW  |
| 7  | 12601274 | 8 | WASHER   |
| 8  | 12644424 | 3 | WASHER   |
| 9  | 169476   | 6 | CLIP   |
| 10 | 10440990 | 5 | BRACKET WITH SHEATH                            |
| 11 | 10902124 | 5 | SCREW  |
| 12 | 196659   | 1 | PIPE FROM CONTROL STATION TO R.H. HOSE         |
| 13 | 196660   | 1 | PIPE FROM CONTROL STATION TO L.H. HOSE         |
| 14 | 190982   | 1 | PIPE FROM CONTROL STATION TO R.H. UNDER TUNNEL |
| 15 | 190983   | 1 | PIPE FROM CONTROL STATION TO L.H. UNDER TUNNEL |
| 16 | 188329   | 1 | PIPE FROM FRONT PUMP TO CONTROL UNIT           |
| 17 | 188327   | 1 | PIPE FROM REAR PUMP TO CONTROL UNIT            |
| 18 | 193465   | 2 | FRONT HOSE                                     |
| 19 | 196602   | 1 | R.H. FRONT SUPPORT                             |
| 19 | 196601   | 1 | L.H. FRONT SUPPORT                             |
| 20 | 10902124 | 4 | SCREW  |
| 21 | 12601274 | 4 | WASHER   |
| 22 | 170592   | 2 | ABS SENSOR                                     |
| 23 | 10396180 | 2 | CABLE GROMMET                                  |
| 24 | 60909500 | 2 | SCREW  |
| 25 | 127494   | 2 | WASHER   |
| 26 | 128292   | 2 | CLIP   |
| 27 | 116374   | 4 | CLIP   |
| 28 | 155215   | 2 | TWO-WAY UNION                                  |
| 29 | 13541224 | 1 | STUD   |
| 30 | 13541624 | 1 | STUD   |
| 31 | 10725914 | 3 | NUT  |
| 32 | 12601274 | 3 | WASHER   |
| 33 | 10441590 | 1 | BRACKET WITH SHEATH                            |
| 34 | 169477   | 4 | CLIP   |
| 35 | 11001224 | 4 | STUD   |
| 36 | 188328   | 1 | PIPE TO TUNNEL FROM R.H. REAR UNION            |
| 37 | 188332   | 1 | PIPE TO TUNNEL FROM L.H. REAR UNION            |
| 38 | 188333   | 1 | PIPE FROM UNION TO R.H. REAR HOSE              |
| 39 | 188334   | 1 | PIPE FROM UNION TO L.H. REAR HOSE              |
| 40 | 194440   | 2 | REAR SUPPORT                                   |
| 41 | 10902124 | 2 | SCREW  |
| 42 | 12601274 | 2 | WASHER   |
| 43 | 116374   | 2 | CLIP   |
| 44 | 193466   | 2 | REAR HOSE                                      |
| 45 | 170592   | 2 | ABS SENSOR                                     |
| 46 | 10396180 | 2 | CABLE GROMMET                                  |
| 47 | 60909500 | 2 | SCREW  |
| 48 | 127494   | 2 | WASHER   |
| 49 | 193295   | 1 | PIPE FROM FRONT HOSE TO R.H. CALIPER           |
| 49 | 193296   | 1 | PIPE FROM FRONT HOSE TO L.H. CALIPER           |
| 50 | 143405   | 2 | FASTON   |
| 51 | 10440990 | 2 | CLIP   |
| 52 | 113647   | 2 | NUT  |
| 53 | 14496324 | 2 | WASHER   |

Enzo Ferrari - 34 - FRONT AND REAR BRAKES CALIPERS



Enzo Ferrari - 34 - FRONT AND REAR BRAKES CALIPERS

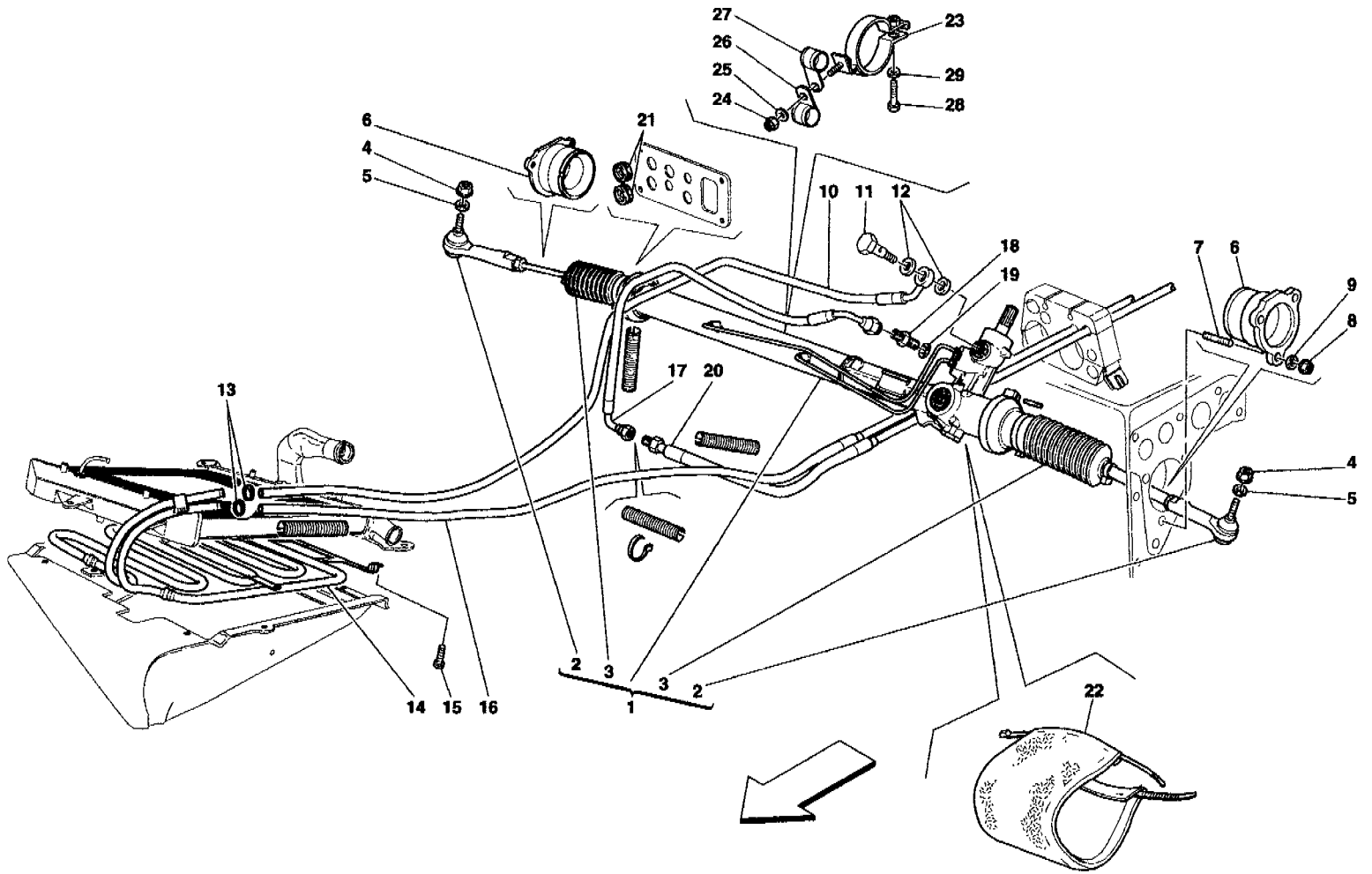
|    |          |   |  |
|----|----------|---|--|
| 1  | 193800   | 1 | R.H. FRONT CALIPER UNIT<br>WITH PADS                                 |
| 1  | 193801   | 1 | L.H. FRONT CALIPER UNIT<br>WITH PADS                                 |
| 2  | 194950   | 1 | R.H. REAR CALIPER UNIT<br>WITH PADS                                  |
| 2  | 194951   | 1 | L.H. REAR CALIPER UNIT<br>WITH PADS                                  |
| 3  | 70000965 | 1 | KIT OF FRONT PADS WITH<br>SPRING                                     |
| 4  | 70000966 | 1 | KIT OF REAR PADS WITH<br>SPRING                                      |
| 5  | 194958   | 1 | R.H. AIR INTAKE  |
| 5  | 194957   | 1 | L.H. AIR INTAKE  |
| 6  | 198049   | 2 | AIR DELIVERY TUBE<br>-Not as spare part now-<br>-Replaced by 201149- |
| 6  | 201149   | 2 | AIR DELIVERY TUBE  |
| 7  | 194955   | 2 | AIR INTAKE ON CALIPER  |
| 8  | 196655   | 4 | CLAMP  |
| 9  | 196367   | 2 | SCREW  |
| 10 | 196381   | 2 | SCREW  |
| 11 | 198012   | 2 | FRONT CONNECTION PIPE  |
| 12 | 198015   | 2 | TIE ROD  |
| 13 | 198014   | 2 | SCREW  |
| 14 | 198013   | 2 | REAR CONNECTION PIPE   |
| 15 | 152954   | 4 | UNIONWITH EXHAUST VALVE  |
| 16 | 152955   | 4 | PROTECTION BOOT  |
| 17 | 66207700 | 6 | SCREW  |
| 18 | 196355   | 2 | ANTI-VIBRATIONS  |
| 19 | 196350   | 2 | ANTI-VIBRATIONS  |



Enzo Ferrari - 35 - HAND-BRAKE CONTROL AND CALIPER

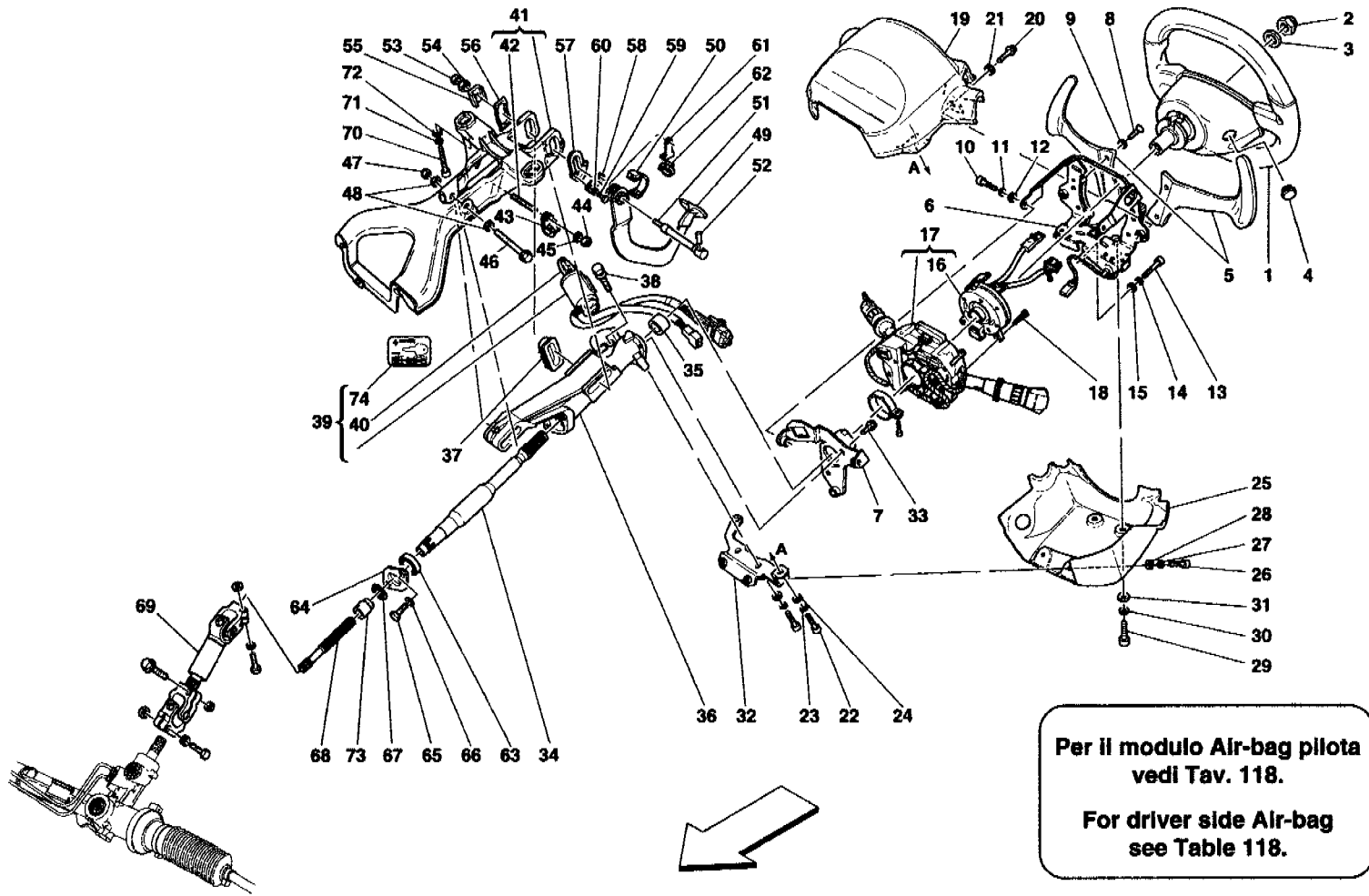
|    |          |   |  |
|----|----------|---|--|
| 1  | 154095   | 1 | HAND BRAKE LEVER<br>-Without lining-               |
| 1  | 629965   | 1 | LINING -See relevant table for<br>leather colours- |
| 2  | 191634   | 1 | COMPLETE MECHANISM                                 |
| 3  | 191635   | 1 | PIN  |
| 4  | 191636   | 1 | WASHER   |
| 5  | 191638   | 1 | SEEGER RING  |
| 6  | 191637   | 1 | SPACER WASHER                                      |
| 7  | 169292   | 1 | SWITCH   |
| 8  | 169291   | 1 | SUPPORT BRACKET                                    |
| 9  | 15896470 | 1 | NUT  |
| 10 | 12605274 | 1 | WASHER   |
| 11 | 63622400 | 2 | WASHER   |
| 12 | 50084409 | 1 | RIVET  |
| 13 | 14304824 | 4 | SCREW  |
| 14 | 12601274 | 4 | WASHER   |
| 15 | 12644424 | 4 | WASHER   |
| 16 | 67354000 | 1 | LEVER SUPPORT                                      |
| 17 | 191974   | 1 | HAND-BRAKE CONTROL FRONT CABLE                     |
| 18 | 10734208 | 1 | SPLIT PIN  |
| 19 | 13550301 | 1 | WASHER   |
| 20 | 192894   | 1 | CABLE FIXING BRACKET                               |
| 21 | 14306374 | 4 | SCREW  |
| 22 | 12601374 | 4 | WASHER   |
| 23 | 10248271 | 1 | FORK   |
| 24 | 10050814 | 1 | PIN  |
| 25 | 13550301 | 1 | WASHER   |
| 26 | 10734208 | 1 | SPLIT PIN  |
| 27 | 122091   | 1 | PULLEY FOR CABLE                                   |
| 28 | 194962   | 1 | HAND-BRAKE CONTROL REAR CABLE                      |
| 29 | 192395   | 1 | BRACKET FOR TIGHTENER FIXING                       |
| 30 | 10441890 | 1 | BRACKET WITH SHEATH                                |
| 31 | 181245   | 2 | BRACKET WITH SHEATH                                |
| 32 | 10441390 | 2 | BRACKET WITH SHEATH                                |
| 33 | 10902024 | 3 | SCREW  |
| 34 | 12601274 | 5 | WASHER   |
| 35 | 10902224 | 2 | SCREW  |
| 36 | 196140   | 1 | L.H. CALIPER FOR HAND BRAKE                        |
| 36 | 196139   | 1 | R.H. CALIPER FOR HAND BRAKE                        |
| 37 | 194960   | 1 | L.H. BRACKET                                       |
| 37 | 194961   | 1 | R.H. BRACKET                                       |
| 38 | 14308424 | 2 | SCREW  |
| 39 | 14308924 | 2 | SCREW  |
| 40 | 195556   | 4 | SCREW  |
| 41 | 12604574 | 4 | WASHER   |
| 42 | 70000969 | 1 | KIT OF HAND BRAKES PADS WITH<br>SPRING             |
| 43 | 195878   | 1 | PROTECTION PIPE                                    |

Enzo Ferrari - 36 - HYDRAULIC STEERING BOX AND SERPENTINE



Enzo Ferrari - 36 - HYDRAULIC STEERING BOX AND SERPENTINE

|    |          |   |   |
|----|----------|---|---|
| 1  | 185518   | 1 | COMPLETE STEERING BOX                           |
| 2  | 154300   | 2 | BALL JOINT                                      |
| 3  | 160674   | 2 | RUBBER BOOT                                     |
| 4  | 149807   | 2 | NUT   |
| 5  | 155002   | 2 | WASHER  |
| 6  | 185374   | 2 | STEERING BOX SUPPORT                            |
| 7  | 13543324 | 6 | STUD  |
| 8  | 177778   | 6 | NUT   |
| 9  | 10730314 | 6 | WASHER  |
| 10 | 188378   | 1 | PIPE FROM STEERING BOX TO<br>REFRIGERATING COIL |
| 11 | 10185111 | 1 | UNION   |
| 12 | 10280060 | 2 | GASKET  |
| 13 | 13000390 | 2 | SCREW COLLAR                                    |
| 14 | 190370   | 1 | REFRIGERATING COIL                              |
| 15 | 62940900 | 3 | SCREW   |
| 16 | 188379   | 1 | PIPE FROM REFRIGERATING COIL<br>TO UNDER FLOOR  |
| 17 | 194128   | 1 | PIPE FROM UNDER FLOOR TO<br>STEERING BOX        |
| 18 | 177237   | 1 | THREADED UNION                                  |
| 19 | 10261060 | 1 | GASKET  |
| 20 | 192847   | 1 | OIL DELIVERY TUBE FROM PUMP                     |
| 21 | 10396680 | 2 | CABLE GROMMET                                   |
| 22 | 197268   | 1 | SHIELD  |
| 23 | 194210   | 1 | PIPES FIXING BRACKET                            |
| 24 | 102741   | 1 | NUT   |
| 25 | 12644424 | 1 | WASHER  |
| 26 | 10441790 | 1 | BRACKET WITH SHEATH                             |
| 27 | 10441690 | 1 | BRACKET WITH SHEATH                             |
| 28 | 10903024 | 1 | SCREW   |
| 29 | 12601274 | 1 | WASHER  |



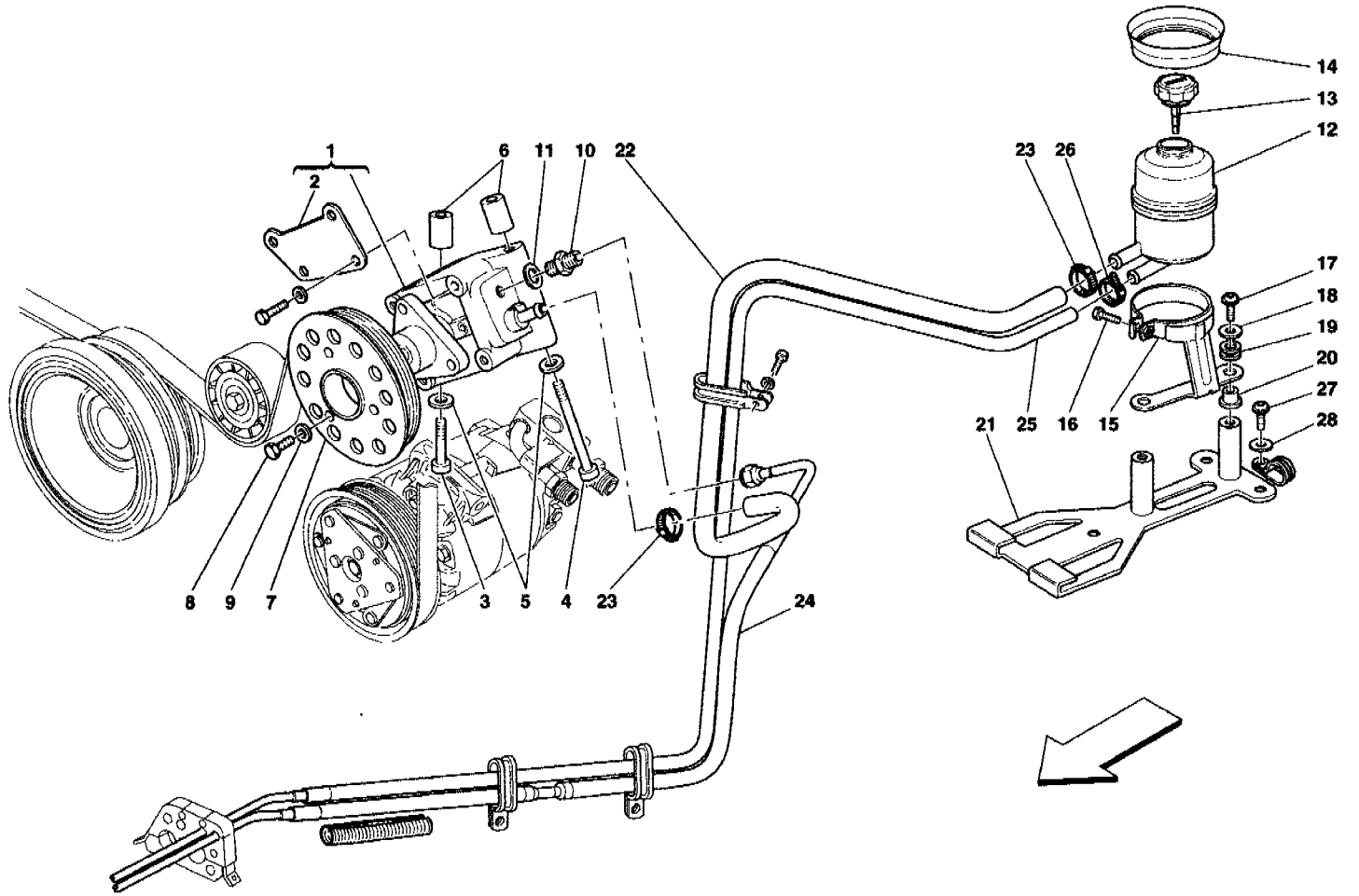
.Enzo Ferrari - 37 - STEERING COLUMN

|    |          |   |  |
|----|----------|---|--|
| 1  | 675560.. | 1 | COMPLETE AIR-BAG STEERING WHEEL                      |
| 2  | 101648   | 1 | NUT  |
| 3  | 10730921 | 1 | WASHER   |
| 4  | 185486   | 1 | PLUG   |
| 5  | 197873   | 1 | COUPLE LEVERS  |
| 6  | 190534   | 1 | GEAR BOX CONTROL BRACKET                             |
| 7  | 190533   | 1 | BRACKET  |
| 8  | 13308977 | 4 | SCREW  |
| 9  | 12606673 | 4 | WASHER   |
| 10 | 14304187 | 2 | SCREW  |
| 11 | 12637878 | 2 | WASHER   |
| 12 | 12620377 | 2 | WASHER   |
| 13 | 14304521 | 1 | SCREW  |
| 14 | 12637878 | 1 | WASHER   |
| 15 | 12638124 | 1 | WASHER   |
| 16 | 194665   | 1 | SPIRAL CONTACT                                       |
| 17 | 185462   | 1 | UNHOOK DEVIATION ASSEMBLY                            |
| 18 | 13271914 | 1 | SCREW  |
| 19 | 66576700 | 1 | UPPER COLUMN COVER                                   |
| 20 | 62940900 | 2 | SCREW  |
| 21 | 12644478 | 2 | WASHER   |
| 22 | 14304187 | 2 | SCREW  |
| 23 | 12637878 | 2 | WASHER   |
| 24 | 12620377 | 2 | WASHER   |
| 25 | 66576800 | 1 | LOWER COLUMN COVER                                   |
| 26 | 14304187 | 2 | SCREW  |
| 27 | 12637878 | 2 | WASHER   |
| 28 | 12620377 | 2 | WASHER   |
| 29 | 14305287 | 2 | SCREW  |
| 30 | 12644477 | 2 | WASHER   |
| 31 | 12620477 | 2 | WASHER   |
| 32 | 67041000 | 1 | COLUMN COVER FIXING BRACKET                          |
| 33 | 14440634 | 2 | SCREW  |
| 34 | 183994   | 1 | UPPER SHAFT FOR STEERING<br>CONTROL                  |
| 35 | 171539   | 1 | ROLLER BEARING                                       |
| 36 | 171516   | 1 | COLUMN SUPPORT                                       |
| 37 | 171501   | 1 | FIXED TENSION SLIDE                                  |
| 38 | 172563   | 1 | ANTITHEFT FIXING SCREW                               |
| 39 | 70000972 | 1 | LOCKS SET COMPLETED<br>WITH STEERING<br>LOCK AND KEY |
| 40 | 198026   | - | BLANK KEY  |
| 41 | 171505   | 1 | STEERING COLUMN SUPPORT<br>BRACKET                   |
| 42 | 11001024 | 1 | STUD   |
| 43 | 10441490 | 1 | BRACKET WITH SHEATH                                  |
| 44 | 113647   | 1 | NUT  |
| 45 | 13577707 | 1 | WASHER   |
| 46 | 180632   | 1 | SCREW  |
| 47 | 104030   | 1 | NUT  |
| 48 | 12625224 | 2 | WASHER   |
| 49 | 675568.. | 1 | COVERED LEVER  |
| 50 | 171531   | 1 | PIN RETAINING SPRING                                 |
| 51 | 171503   | 1 | LEVER PIN  |
| 52 | 10336630 | 1 | PIN  |
| 53 | 147985   | 1 | NUT  |
| 54 | 171542   | 1 | NUT  |
| 55 | 171529   | 1 | MOBILE GUIDE SHOE                                    |
| 56 | 171502   | 1 | SPRING FOR GUIDE SHOE                                |
| 57 | 171544   | 1 | LEVER SIDE GUIDE SHOE                                |
| 58 | 171523   | 1 | PLATE  |
| 59 | 10977724 | 2 | SCREW  |
| 60 | 11181574 | 2 | WASHER   |
| 61 | 177977   | 1 | SMALL PLATE  |
| 62 | 178430   | 1 | FIXING CLIP  |
| 63 | 171540   | 1 | BALL BEARING   |
| 64 | 177645   | 1 | PLATE  |

|    |          |   |                                   |
|----|----------|---|-----------------------------------|
| 65 | 10902224 | 2 | SCREW                             |
| 66 | 11181874 | 2 | WASHER                            |
| 67 | 11067376 | 1 | SEGER RING                        |
| 68 | 186930   | 1 | COLUMN LOWER SHAFT                |
| 69 | 186916   | 1 | STEERING CARDANIC<br>TRASSMISSION |
| 70 | 16132721 | 2 | SCREW                             |
| 71 | 11193274 | 2 | WASHER                            |
| 72 | 12646601 | 2 | WASHER                            |
| 73 | 183995   | 1 | RING NUT                          |
| 74 | 153603   | 1 | CODE CARD                         |

For particular colour matchings, make order by Fax or E-m@il, specifying serial number. - See "INNER TRIMS CAR CODES" table for codes of parts covered in leather or moquette.

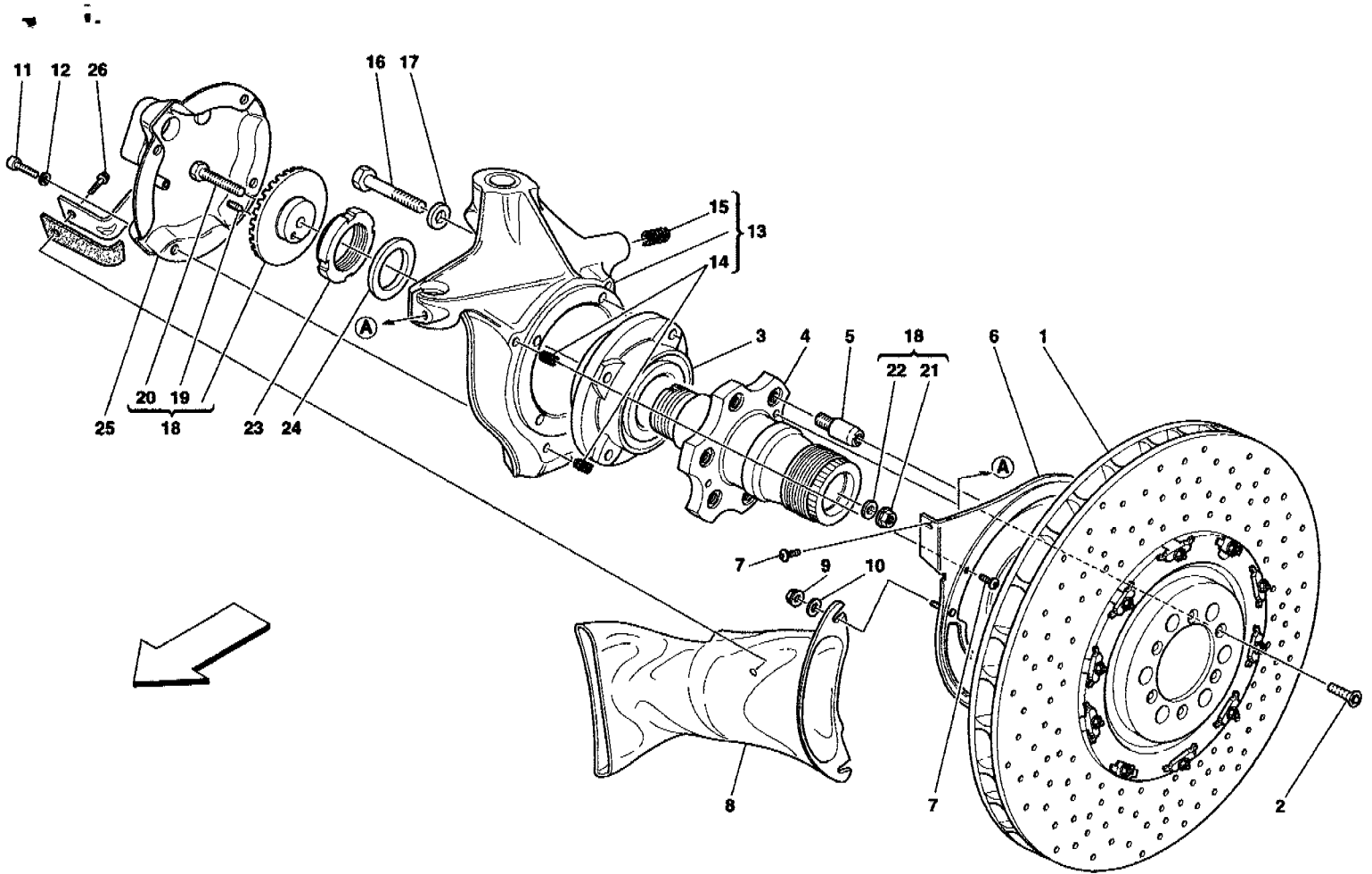
Enzo Ferrari - 38 - HYDRAULIC STEERING PUMP AND TANK



Enzo Ferrari - 38 - HYDRAULIC STEERING PUMP AND TANK

|    |          |   |                                  |
|----|----------|---|----------------------------------|
| 1  | 193446   | 1 | HYDRAULIC SERVO-CONTROL<br>PUMP  |
| 2  | 182833   | 1 | PUMP SUPPORT BRACKET             |
| 3  | 14302224 | 1 | SCREW                            |
| 4  | 143873   | 1 | SCREW                            |
| 5  | 11193874 | 2 | WASHER                           |
| 6  | 184598   | 2 | SPACER                           |
| 7  | 195936   | 1 | POWER STEERING PULLEY            |
| 8  | 16043124 | 3 | SCREW                            |
| 9  | 12604474 | 3 | WASHER                           |
| 10 | 174091   | 1 | UNION                            |
| 11 | 10261460 | 1 | GASKET                           |
| 12 | 170877   | 1 | OIL TANK FOR<br>SERVOSTEERING    |
| 13 | 194383   | 1 | OIL TANK COVER                   |
| 14 | 179301   | 1 | TANK RING                        |
| 15 | 179287   | 1 | UPPER BRACKET                    |
| 16 | 10902424 | 1 | SCREW                            |
| 17 | 64830600 | 2 | SCREW                            |
| 18 | 12643778 | 2 | WASHER                           |
| 19 | 103549   | 2 | CABLE GROMMET                    |
| 20 | 149707   | 2 | SPACER                           |
| 21 | 192379   | 1 | LOWER BRACKET                    |
| 22 | 192846   | 1 | PIPE FROM TANK TO PUMP           |
| 23 | 13000390 | 2 | SCREW COLLAR                     |
| 24 | 192847   | 1 | DELIVERY TUBE FROM PUMP TO FRONT |
| 25 | 188379   | 1 | PIPE FROM UNDER FLOOR TO TANK    |
| 26 | 13000390 | 1 | SCREW COLLAR                     |
| 27 | 62940900 | 3 | SCREW                            |
| 28 | 12644478 | 3 | WASHER                           |

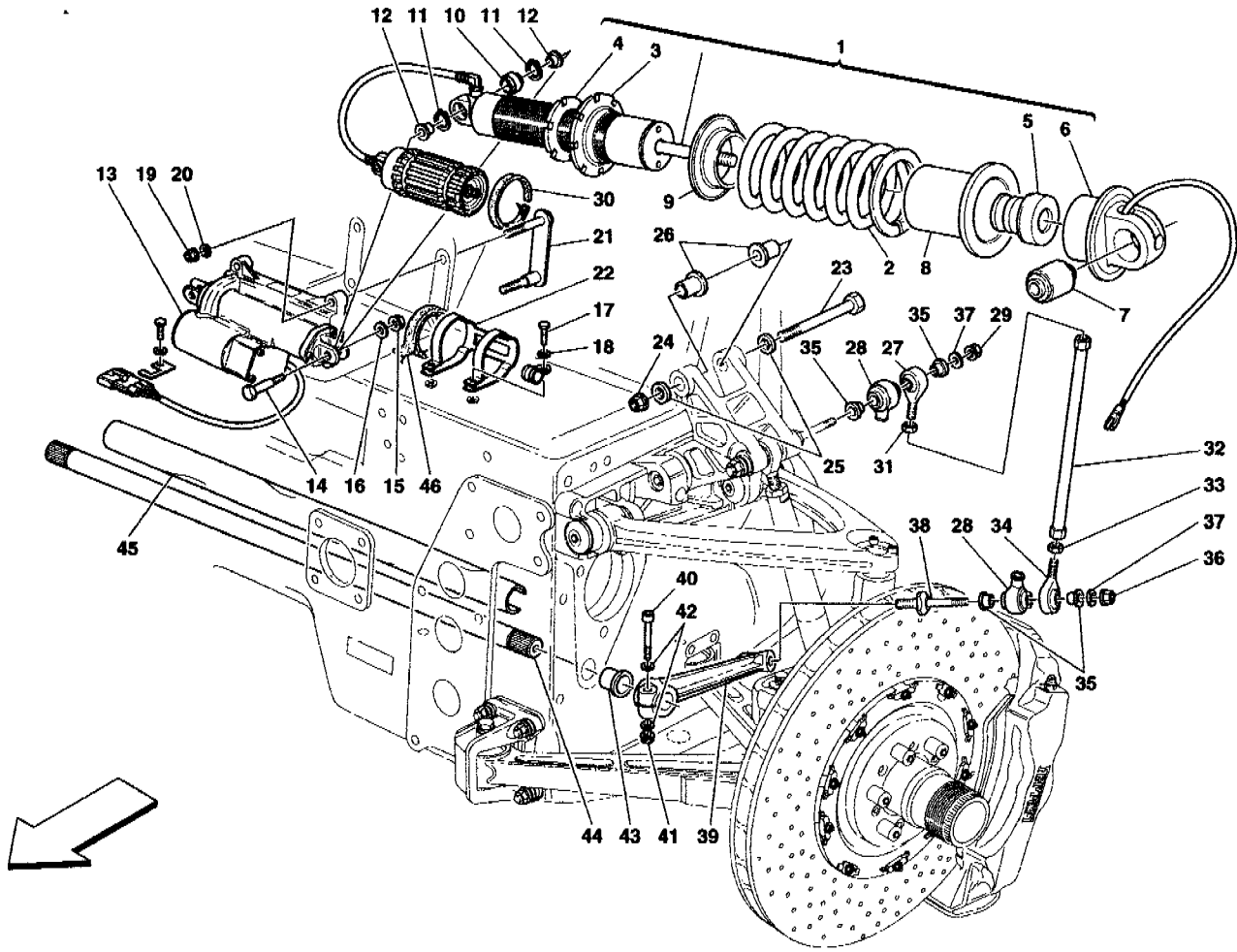
Enzo Ferrari - 39 - FRONT BRAKE DISC AND STEERING KNUCKLE



Enzo Ferrari - 39 - FRONT BRAKE DISC AND STEERING KNUCKLE

|    |          |    |  |
|----|----------|----|--|
| 1  | 194948   | 2  | R.H. AND L.H. FRONT BRAKE DISC<br>WITH FLANGE<br>-Not as spare part-<br>-Replaced by 201598- |
| 1  | 201598   | 2  | R.H. AND L.H. FRONT BRAKE DISC<br>WITH FLANGE  |
| 2  | 14441324 | 4  | SCREW  |
| 3  | 150608   | 2  | BEARING  |
| 4  | 185568   | 1  | L.H. FRONT WHEEL HUB   |
| 4  | 185569   | 1  | R.H. FRONT WHEEL HUB   |
| 5  | 150780   | 12 | STUD   |
| 6  | 194423   | 1  | L.H. AIR INTAKE SHIELD   |
| 6  | 194816   | 1  | R.H. AIR INTAKE SHIELD   |
| 7  | 169593   | 10 | SCREW  |
| 8  | 194953   | 1  | L.H. AIR INTAKE  |
| 8  | 194954   | 1  | R.H. AIR INTAKE  |
| 9  | 14058314 | 4  | NUT  |
| 10 | 12638124 | 4  | WASHER   |
| 11 | 16323934 | 8  | SCREW  |
| 12 | 166448   | 8  | WASHER   |
| 13 | 186081   | 1  | COMPLETE L.H. STEERING KNUCKLE   |
| 13 | 186076   | 1  | COMPLETE R.H. STEERING KNUCKLE   |
| 14 | 13521770 | 10 | THREADED INSERT  |
| 15 | 13524670 | 4  | THREADED INSERT  |
| 16 | 16323934 | 8  | SCREW  |
| 17 | 166448   | 8  | WASHER   |
| 18 | 185570   | 2  | TOOTHED WHEEL  |
| 19 | 169984   | 2  | DOWEL  |
| 20 | 16043974 | 2  | SCREW  |
| 21 | 177778   | 2  | NUT  |
| 22 | 12638524 | 2  | WASHER   |
| 23 | 150785   | 2  | RING NUT   |
| 24 | 112800   | 2  | WASHER   |
| 25 | 186090   | 1  | L.H. COVER   |
| 25 | 189943   | 1  | R.H. COVER   |
| 26 | 62940900 | 2  | SCREW  |

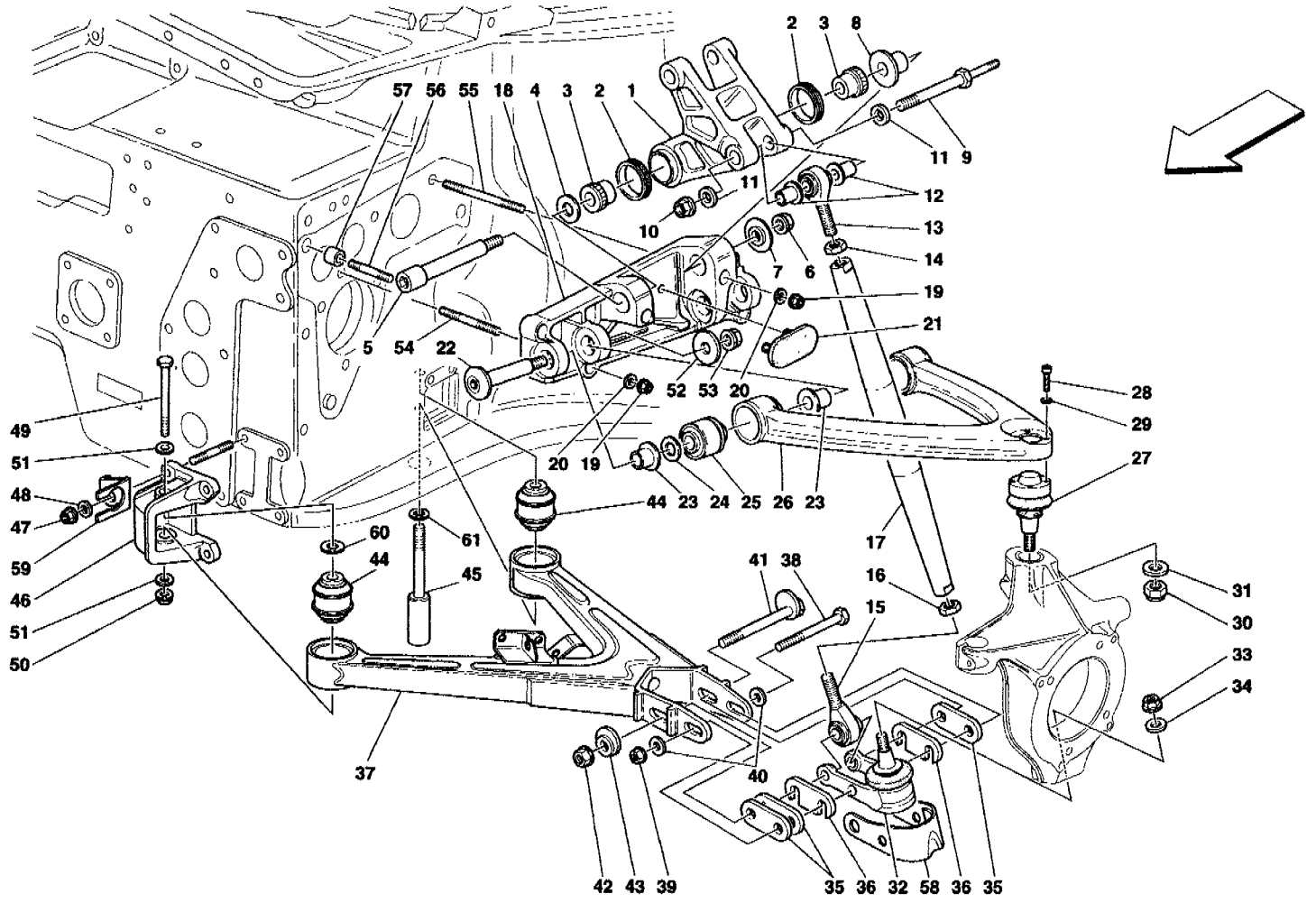
Enzo Ferrari - 40 - FRONT SUSPENSION - SHOCK ABSORBER AND STABILIZER BAR



Enzo Ferrari - 40 - FRONT SUSPENSION - SHOCK ABSORBER AND STABILIZER BAR

|    |          |   |                                  |
|----|----------|---|----------------------------------|
| 1  | 186085   | 2 | FRONT SHOCK ABSORBER             |
| 2  | 185804   | 2 | SUSPENSION SPRING                |
| 3  | 174725   | 2 | SPACER                           |
| 4  | 174726   | 2 | RING NUT                         |
| 5  | 174728   | 2 | SHOCK ABSORBER PAD               |
| 6  | 187702   | 2 | SPRING RETAINING UPPER<br>SPACER |
| 7  | 157630   | 2 | BALL JOINT                       |
| 8  | 177688   | 2 | UPPER SPACER                     |
| 9  | 169684   | 2 | LOWER SPACER                     |
| 10 | 149354   | 2 | BALL JOINT                       |
| 11 | 194143   | 4 | FLEXIBLE RING                    |
| 12 | 153321   | 4 | BUSHING                          |
|    |          |   | -Not as spare part now-          |
|    |          |   | -Replaced by 197135-             |
| 12 | 197135   | 4 | BUSHING                          |
| 13 | 189930   | 1 | HOISTER                          |
| 14 | 153320   | 2 | PIN                              |
| 15 | 133216   | 2 | NUT                              |
| 16 | 10730514 | 2 | WASHER                           |
| 17 | 14305224 | 4 | SCREW                            |
| 18 | 14499304 | 4 | WASHER                           |
| 19 | 177778   | 4 | NUT                              |
| 20 | 12638524 | 4 | WASHER                           |
| 21 | 189144   | 2 | FIXING SMALL PLATE               |
| 22 | 192654   | 2 | TANK SUPPORT                     |
| 23 | 192018   | 2 | SCREW                            |
| 24 | 132876   | 2 | NUT                              |
| 25 | 10732531 | 4 | WASHER                           |
| 26 | 150082   | 4 | BUSHING                          |
| 27 | 169310   | 2 | BALL JOINT                       |
| 28 | 148772   | 4 | PROTECTION                       |
| 29 | 101139   | 2 | NUT                              |
| 30 | 195101   | 4 | ANTI-VIBRATIONS                  |
| 31 | 10788714 | 2 | NUT                              |
| 32 | 186078   | 2 | SHACKLE FOR STABILIZER<br>BAR    |
| 33 | 11690914 | 2 | NUT                              |
| 34 | 169311   | 2 | BALL JOINT                       |
| 35 | 169309   | 8 | BUSHING                          |
| 36 | 177778   | 2 | NUT                              |
| 37 | 12638524 | 4 | WASHER                           |
| 38 | 151663   | 2 | PIN                              |
| 39 | 151662   | 2 | ARM FOR STABILIZER BAR           |
| 40 | 149939   | 2 | SCREW                            |
| 41 | 177778   | 2 | NUT                              |
| 42 | 12638524 | 4 | WASHER                           |
| 43 | 151642   | 2 | BUSHING                          |
| 44 | 194693   | 1 | FRONT ANTI-ROLL BAR              |
| 45 | 197752   | 1 | PROTECTION SHEATH                |
| 46 | 195101   | 4 | ANTI-VIBRATIONS                  |

Enzo Ferrari - 41 - FRONT SUSPENSION - WISHBONES

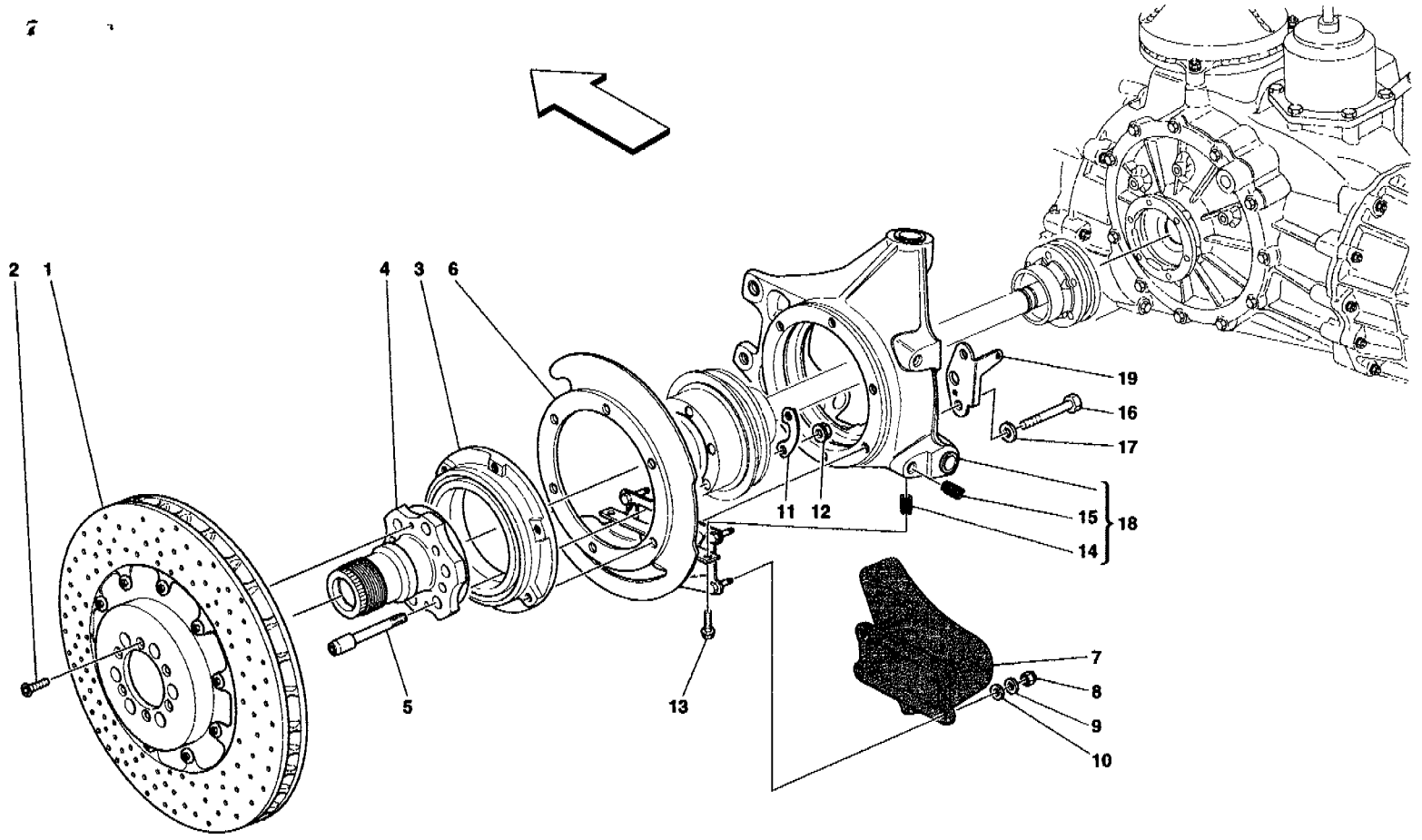


Enzo Ferrari - 41 - FRONT SUSPENSION - WISHBONES

|    |          |    |   |
|----|----------|----|---|
| 1  | 183695   | 1  | L.H. FRONT ROCKER                                   |
| 1  | 188392   | 1  | R.H. FRONT ROCKER                                   |
| 2  | 150153   | 4  | SEAL RING   |
| 3  | 150152   | 4  | ROLLER BEARING                                      |
| 4  | 152022   | 2  | SPACER  |
| 5  | 151983   | 2  | FULCRUM PIN   |
| 6  | 102742   | 2  | NUT   |
| 7  | 152021   | 2  | WASHER  |
| 8  | 151982   | 2  | BUSHING   |
| 9  | 153322   | 2  | PIN   |
| 10 | 132876   | 2  | NUT   |
| 11 | 10732531 | 4  | WASHER  |
| 12 | 150082   | 4  | BUSHING   |
| 13 | 149125   | 2  | BALL JOINT  |
| 14 | 10717477 | 2  | NUT   |
| 15 | 149126   | 2  | BALL JOINT  |
| 16 | 149124   | 2  | NUT   |
| 17 | 165660   | 2  | SHOCK ABSORBER CONTROL ROD                          |
| 18 | 151811   | 1  | L.H. LEVER SUPPORT SUPPORT                          |
| 18 | 151812   | 1  | R.H. LEVER SUPPORT SUPPORT                          |
| 19 | 177778   | 10 | NUT   |
| 20 | 12638524 | 10 | WASHER  |
| 21 | 152615   | 2  | END OF STROKE PAD                                   |
| 22 | 152023   | 2  | UPPER LEVER PIN                                     |
| 23 | 152020   | 8  | BUSHING   |
| 24 | 152032   | 4  | WASHER  |
| 24 | 152033   | 4  | -Th. mm. 0,2-<br>WASHER                             |
| 24 | 152034   | 4  | -Th. mm. 0,3-<br>WASHER                             |
| 24 | 152035   | 4  | -Th. mm. 0,5-<br>WASHER                             |
| 24 | 152036   | 4  | -Th. mm. 0,6-<br>WASHER                             |
| 24 | 152037   | 4  | -Th. mm. 0,7-<br>WASHER                             |
| 24 | 152038   | 4  | -Th. mm. 0,8-<br>WASHER                             |
| 25 | 163918   | 4  | -Th. mm. 1,0-<br>BALL JOINT                         |
| 26 | 171114   | 1  | L.H. UPPER LEVER                                    |
| 26 | 151290   | 1  | R.H. UPPER LEVER                                    |
| 27 | 130202   | 2  | BALL JOINT FOR UPPER LEVER                          |
| 28 | 14305124 | 8  | SCREW   |
| 29 | 10569279 | 8  | WASHER  |
| 30 | 169193   | 2  | NUT   |
| 31 | 150143   | 2  | WASHER  |
| 32 | 146999   | 2  | BALL JOINT FOR LOWER LEVER                          |
| 33 | 149807   | 2  | NUT   |
| 34 | 122237   | 2  | WASHER  |
| 35 | 192576   | 6  | PLATE   |
| 36 | 192577   | -  | -Th. 4mm-<br>PLATE                                  |
| 36 | 192578   | -  | -Th. 1mm-<br>-Possible fitting-<br>PLATE            |
| 36 | 192579   | -  | -Th. 1,5mm-<br>-Possible fitting-<br>PLATE          |
| 36 | 192580   | -  | -Th. 2mm-<br>-Possible fitting-<br>PLATE            |
| 37 | 192516   | 1  | -Th. 3mm-<br>-Possible fitting-<br>L.H. LOWER LEVER |
| 37 | 195299   | 1  | R.H. LOWER LEVER                                    |
| 38 | 192585   | 2  | SCREW   |
| 39 | 133216   | 2  | NUT   |

|    |          |   |                                |
|----|----------|---|--------------------------------|
| 40 | 166448   | 4 | WASHER                         |
| 41 | 192572   | 2 | ECCENTRIC SCREW                |
| 42 | 132876   | 2 | NUT                            |
| 43 | 152818   | 2 | ECCENTRIC WASHER               |
| 44 | 178929   | 4 | BALL JOINT                     |
| 45 | 189157   | 2 | SPECIAL SCREW                  |
| 46 | 189142   | 2 | SUPPORT                        |
| 47 | 177778   | 8 | NUT                            |
| 48 | 12638524 | 8 | WASHER                         |
| 49 | 15971624 | 2 | SCREW                          |
|    |          |   | -Not as spare part-            |
|    |          |   | -Replaced by 15971634-         |
| 49 | 15971634 | 2 | SCREW                          |
| 50 | 104114   | 2 | NUT                            |
| 51 | 14496624 | 4 | WASHER                         |
| 52 | 152031   | 4 | WASHER                         |
| 53 | 132876   | 4 | NUT                            |
| 54 | 12429524 | 2 | STUD                           |
| 55 | 13544334 | 2 | STUD                           |
| 56 | 13543734 | 4 | STUD                           |
| 57 | 150961   | 4 | CENTERING DOWEL                |
| 58 | 195081   | 2 | BALL JOINT PROTECTION          |
| 59 | 193444   | 1 | ABS SENSOR FIXING L.H. BRACKET |
| 59 | 193486   | 1 | ABS SENSOR FIXING R.H. BRACKET |
| 60 | 189155   | - | SPACER                         |
|    |          |   | -Th. 0,3 mm.-                  |
| 60 | 189158   | - | SPACER                         |
|    |          |   | -Th. 0,4 mm.-                  |
| 60 | 189159   | - | SPACER                         |
|    |          |   | -Th. 0,5 mm.-                  |
| 60 | 189160   | - | SPACER                         |
|    |          |   | -Th. 0,6 mm.-                  |
| 60 | 189161   | - | SPACER                         |
|    |          |   | -Th. 0,7 mm.-                  |
| 61 | 12541970 | 2 | WASHER                         |

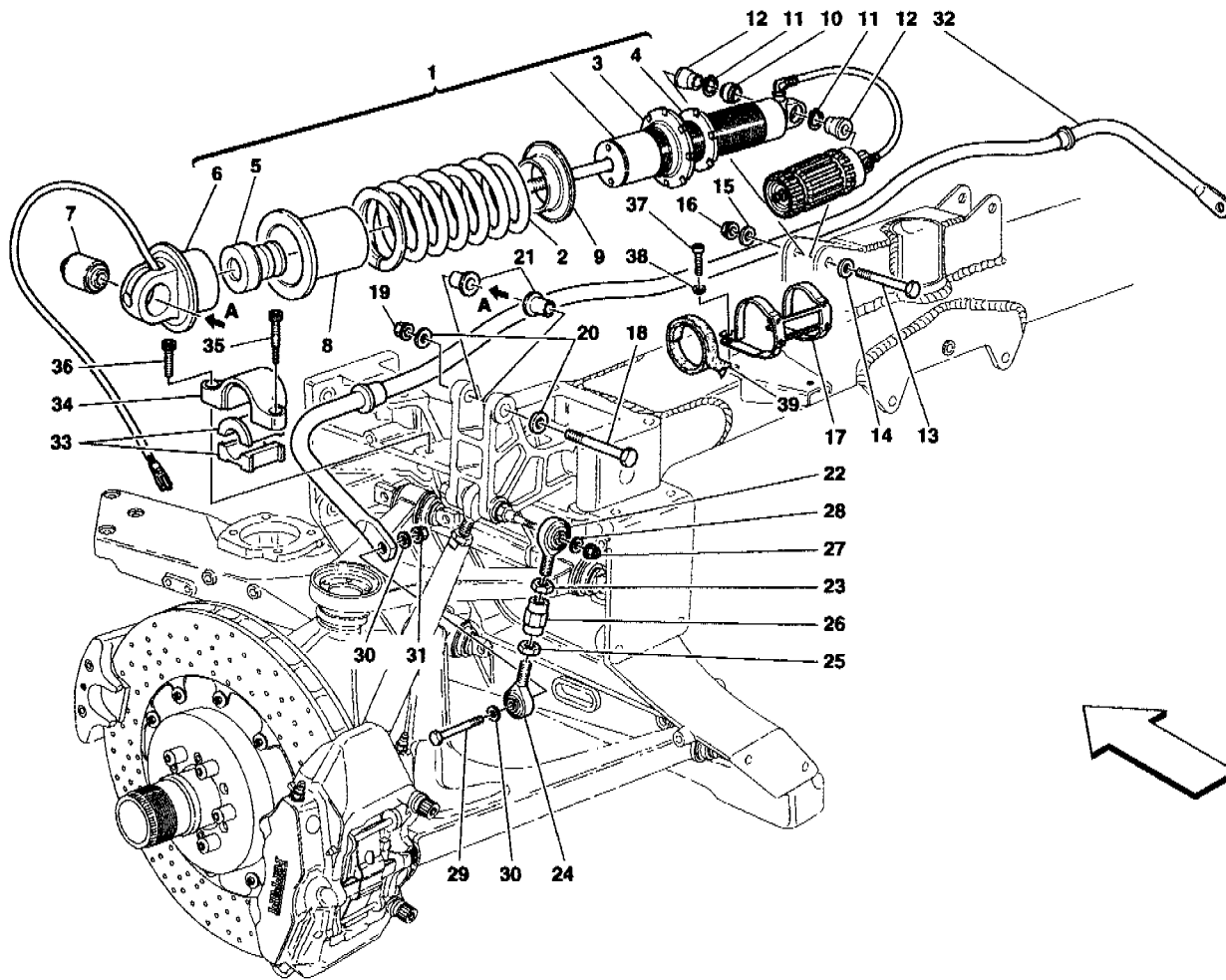
Enzo Ferrari - 42 - REAR BRAKE DISC AND HUB HOLDER



Enzo Ferrari - 42 - REAR BRAKE DISC AND HUB HOLDER

|    |          |    |  |
|----|----------|----|--|
| 1  | 194952   | 2  | REAR BRAKE DISC<br>-Not as spare part-<br>-Replaced by 195171- |
| 1  | 195171   | 2  | REAR BRAKE DISC  |
| 2  | 14441324 | 4  | SCREW  |
| 3  | 148377   | 2  | BEARING  |
| 4  | 163743   | 1  | L.H. REAR WHEEL HUB  |
| 4  | 163742   | 1  | R.H. REAR WHEEL HUB  |
| 5  | 148859   | 12 | STUD   |
| 6  | 195027   | 1  | L.H. AIR INTAKE  |
| 6  | 195026   | 1  | R.H. AIR INTAKE  |
| 7  | 194123   | 1  | L.H. BRAKES AIR INLET  |
| 7  | 194124   | 1  | R.H. BRAKES AIR INLET  |
| 8  | 15896470 | 8  | NUT  |
| 9  | 166467   | 8  | WASHER   |
| 10 | 12638177 | 8  | WASHER   |
| 11 | 149415   | 6  | SCRAPING PLATE   |
| 12 | 133216   | 6  | NUT  |
| 13 | 16285014 | 4  | SCREW  |
| 14 | 13521770 | 4  | THREADED INSERT  |
| 15 | 13524670 | 4  | THREADED INSERT  |
| 16 | 16324334 | 12 | SCREW  |
| 17 | 166448   | 12 | WASHER   |
| 18 | 194965   | 1  | L.H. REAR HUB HOLDER   |
| 18 | 194967   | 1  | R.H. REAR HUB HOLDER   |
| 19 | 189680   | 1  | ABS SENSOR FIXING L.H. BRACKET                                 |
| 19 | 189788   | 1  | ABS SENSOR FIXING R.H. BRACKET                                 |

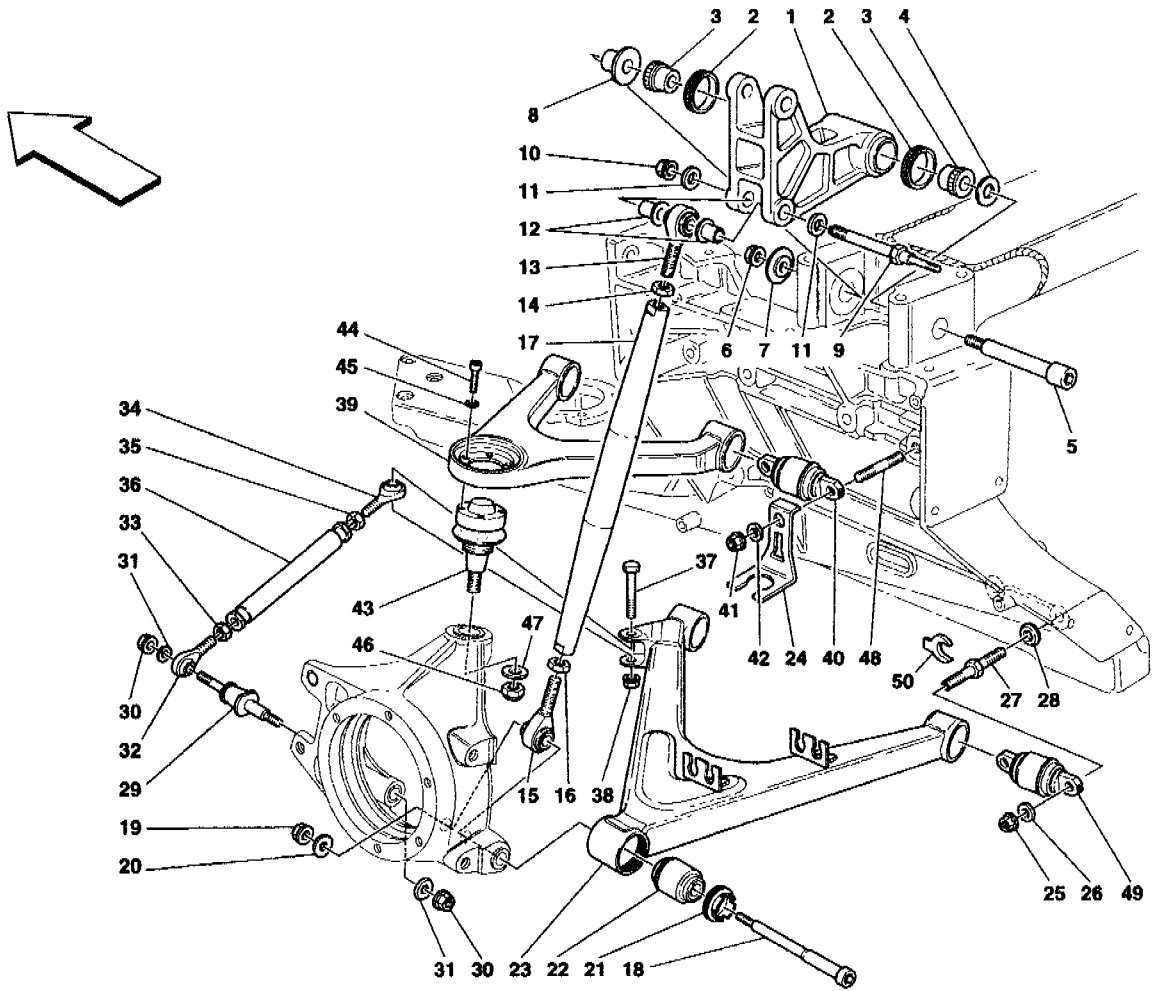
Enzo Ferrari - 43 - REAR SUSPENSIONS - SHOCK ABSORBER AND STABILIZER BAR



Enzo Ferrari - 43 - REAR SUSPENSIONS - SHOCK ABSORBER AND STABILIZER BAR

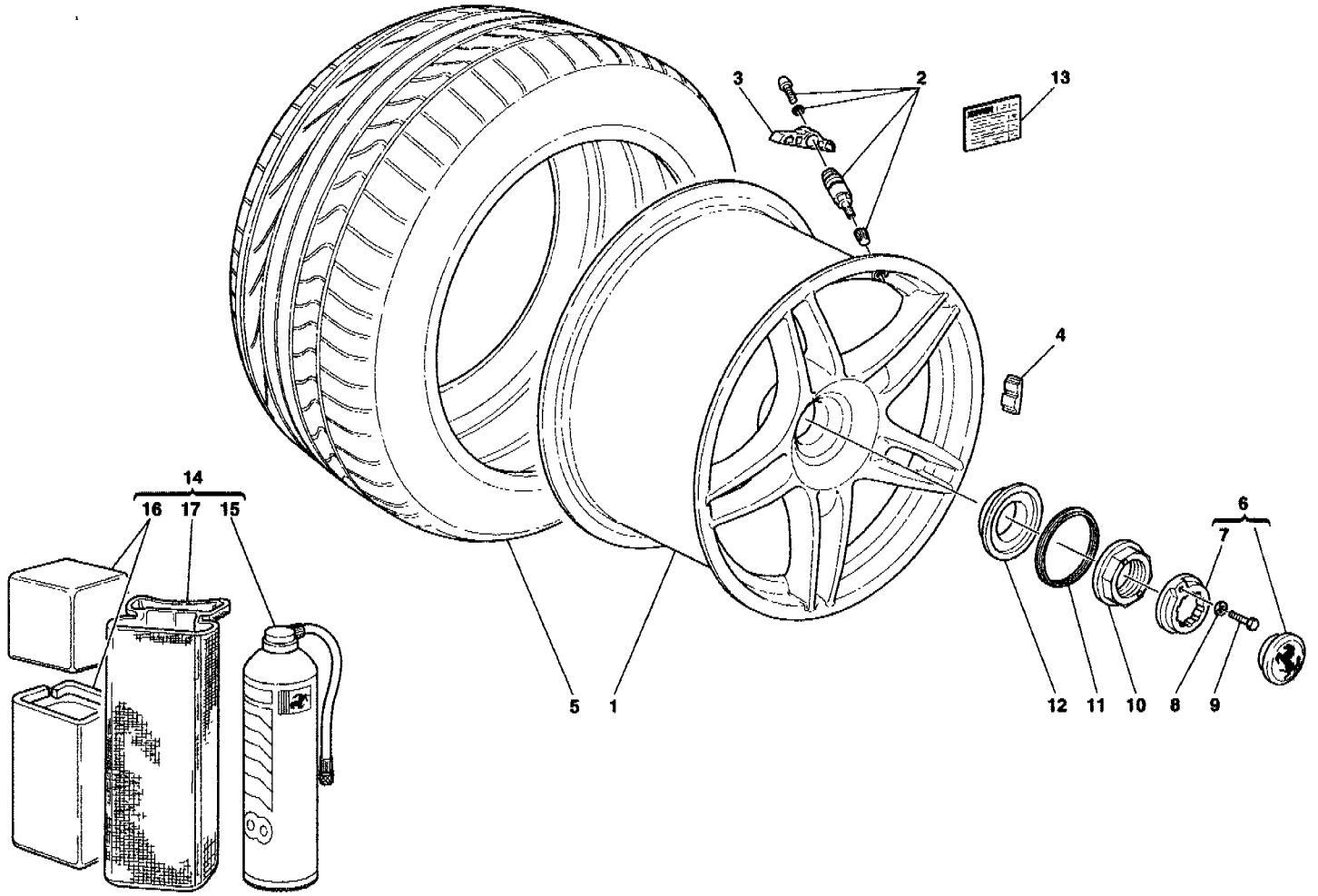
|    |          |   |  |
|----|----------|---|--|
| 1  | 187701   | 2 | REAR SHOCK ABSORBER                      |
| 2  | 185803   | 2 | SUSPENSION SPRING                        |
| 3  | 174725   | 2 | SPACER                                   |
| 4  | 174726   | 2 | RING NUT                                 |
| 5  | 174728   | 2 | SHOCK ABSORBER PAD                       |
| 6  | 187702   | 2 | SPRING RETAINING UPPER<br>SPACER         |
| 7  | 157630   | 2 | BALL JOINT                               |
| 8  | 177688   | 2 | UPPER SPACER                             |
| 9  | 169684   | 2 | LOWER SPACER                             |
| 10 | 149354   | 2 | BALL JOINT                               |
| 11 | 194143   | 4 | FLEXIBLE RING                            |
| 12 | 189126   | 4 | BUSHING                                  |
|    |          |   | -Not as spare part now-                  |
|    |          |   | -Replaced by 197134-                     |
| 12 | 197134   | 4 | BUSHING                                  |
| 13 | 194211   | 2 | PIN                                      |
| 14 | 12641024 | 2 | WASHER                                   |
| 15 | 14499624 | 2 | WASHER                                   |
| 16 | 133216   | 2 | NUT                                      |
| 17 | 195987   | 2 | SHIELD AND SUPPORT TANK                  |
|    |          |   | -Valid till stock exhaustion-            |
| 17 | 192654   | 2 | SHIELD AND SUPPORT TANK                  |
|    |          |   | -Valid after stock exhaustion of 195987- |
| 18 | 192018   | 2 | SCREW                                    |
| 19 | 169183   | 2 | NUT                                      |
| 20 | 10732531 | 4 | WASHER                                   |
| 21 | 150082   | 4 | BUSHING                                  |
| 22 | 188575   | 2 | BALL JOINT                               |
| 23 | 10788714 | 2 | NUT                                      |
| 24 | 188574   | 2 | BALL JOINT                               |
| 25 | 11690914 | 2 | NUT                                      |
| 26 | 188576   | 2 | SHACKLE FOR STABILIZER<br>BAR            |
| 27 | 177778   | 2 | NUT                                      |
| 28 | 12638524 | 2 | WASHER                                   |
| 29 | 16044124 | 2 | SCREW                                    |
| 30 | 12638524 | 4 | WASHER                                   |
| 31 | 177778   | 2 | NUT                                      |
| 32 | 188375   | 1 | REAR TORSION BAR                         |
| 33 | 189134   | 2 | BUSHING                                  |
| 34 | 189135   | 2 | SUPPORT                                  |
| 35 | 193061   | 2 | SCREW                                    |
| 36 | 14306524 | 2 | SCREW                                    |
| 37 | 14305224 | 4 | SCREW                                    |
| 38 | 14499304 | 4 | WASHER                                   |
| 39 | 195101   | 4 | ANTI-VIBRATIONS                          |

Enzo Ferrari - 44 - REAR SUSPENSION - WISHBONES



## Enzo Ferrari - 44 - REAR SUSPENSION - WISHBONES

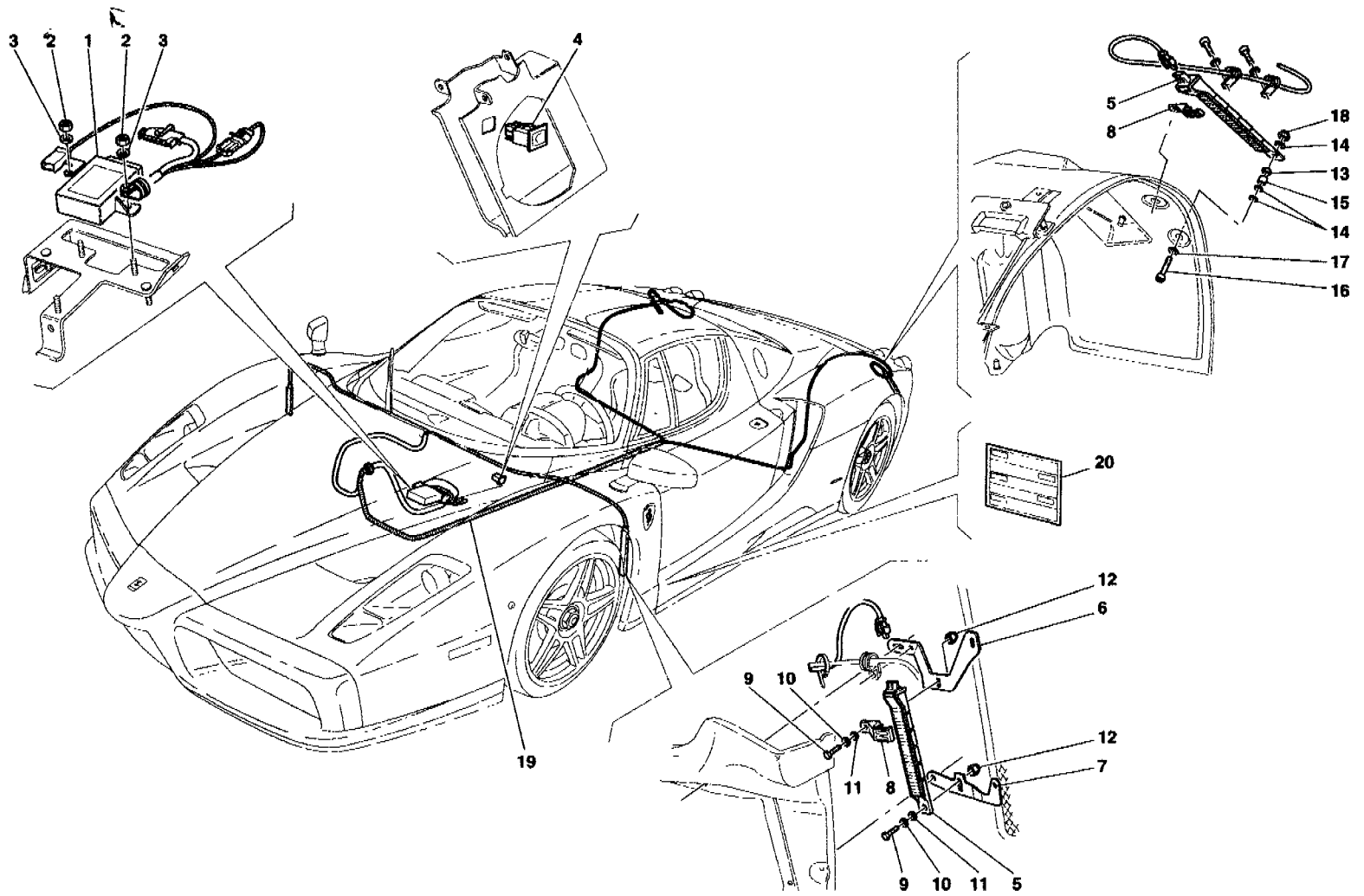
|    |          |   |                                    |
|----|----------|---|------------------------------------|
| 1  | 188390   | 1 | L.H. REAR ROCKER                   |
| 1  | 188391   | 1 | R.H. REAR ROCKER                   |
| 2  | 150153   | 4 | SEAL RING                          |
| 3  | 150152   | 4 | ROLLER BEARING                     |
| 4  | 152022   | 2 | SPACER                             |
| 5  | 151983   | 2 | FULCRUM PIN                        |
| 6  | 133216   | 2 | NUT                                |
| 7  | 152021   | 2 | WASHER                             |
| 8  | 151982   | 2 | BUSHING                            |
| 9  | 188393   | 2 | PIN                                |
| 10 | 132876   | 2 | NUT                                |
| 11 | 10732531 | 2 | WASHER                             |
| 12 | 150082   | 4 | BUSHING                            |
| 13 | 149125   | 2 | BALL JOINT                         |
| 14 | 10717477 | 2 | NUT                                |
| 15 | 149126   | 2 | BALL JOINT                         |
| 16 | 149124   | 2 | NUT                                |
| 17 | 165660   | 2 | REAR SHOCK ABSORBER CONTROL<br>ROD |
| 18 | 150141   | 2 | PIN                                |
| 19 | 169183   | 2 | NUT                                |
| 20 | 101016   | 2 | WASHER                             |
| 21 | 150150   | 2 | RING NUT                           |
| 22 | 163918   | 2 | BALL JOINT                         |
| 23 | 198314   | 1 | L.H. REAR LOWER LEVER              |
| 23 | 198315   | 1 | R.H. REAR LOWER LEVER              |
| 24 | 193064   | 2 | ABS SENSOR FIXING BRACKET          |
| 25 | 133216   | 8 | NUT                                |
| 26 | 12638624 | 8 | WASHER                             |
| 27 | 149102   | 8 | SCREW                              |
| 28 | 149189   | 8 | WASHER                             |
| 29 | 161958   | 2 | PIN                                |
| 30 | 132876   | 4 | NUT                                |
| 31 | 101016   | 4 | WASHER                             |
| 32 | 160471   | 2 | BALL JOINT                         |
| 33 | 149124   | 2 | NUT                                |
| 34 | 160470   | 2 | BALL JOINT                         |
| 35 | 10717477 | 2 | NUT                                |
| 36 | 188434   | 2 | SPRAG                              |
| 37 | 150151   | 2 | PIN                                |
| 38 | 132876   | 2 | NUT                                |
| 39 | 188383   | 1 | L.H. REAR UPPER LEVER              |
| 39 | 193575   | 1 | R.H. REAR UPPER LEVER              |
| 40 | 153746   | 4 | BALL JOINT                         |
| 41 | 102742   | 8 | NUT                                |
| 42 | 102901   | 8 | WASHER                             |
| 43 | 130202   | 2 | BALL JOINT                         |
| 44 | 14305124 | 8 | SCREW                              |
| 45 | 10569279 | 8 | WASHER                             |
| 46 | 169193   | 2 | NUT                                |
| 47 | 150143   | 2 | WASHER                             |
| 48 | 189141   | 8 | STUD                               |
| 49 | 163703   | 4 | BALL JOINT                         |
| 50 | 150144   | 8 | WASHER                             |
| 50 | 197774   | 8 | -Th. 1 mm.-<br>WASHER              |
| 50 | 198889   | 8 | -Th. 0,5 mm.-<br>WASHER            |
| 50 | 150145   | 8 | -Th. 3,0 mm.-<br>WASHER            |
| 50 | 150146   | 8 | -Th. 1,5 mm.-<br>WASHER            |
| 50 | 150146   | 8 | -Th. 2,0 mm.-                      |



Enzo Ferrari - 45 - WHEELS

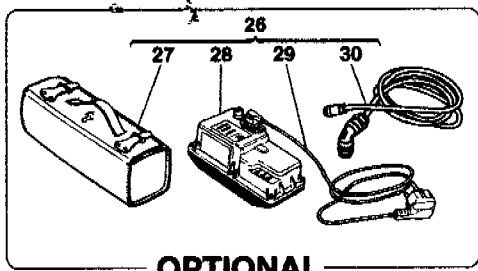
|    |          |   |   |
|----|----------|---|---|
| 1  | 192918   | 2 | FRONT WHEEL RIM   |
| 1  | 184186   | 2 | REAR WHEEL RIM  |
| 2  | 185328   | 4 | VALVE   |
| 3  | 193867   | 4 | TYRES PRESSURE CONTROL<br>SENSOR  |
| 3  | 199418   | 4 | -Not for J-<br>TYRES PRESSURE CONTROL<br>SENSOR   |
| 4  | 192934   | 1 | -Valid for J-<br>COUNTER-WEIGHT -90Gr.-   |
| 5  | -        | 2 | FRONT TYRE  |
| 5  | -        | 2 | -Not as spare part-<br>REAR TYRE  |
| 6  | 196541   | 4 | -Not as spare part-<br>RIM CUP  |
| 7  | 163551   | 4 | FLANGE  |
| 8  | 10730014 | 4 | WASHER  |
| 9  | 14304124 | 4 | SCREW   |
| 10 | 163549   | 2 | L.H. SIDE NUT   |
| 10 | 163548   | 2 | R.H. SIDE NUT   |
| 11 | 163556   | 4 | GASKET  |
| 12 | 163550   | 4 | BEVEL FLANGE  |
| 13 | 193539   | 1 | TYRE PRESSURE PLATE   |
| 13 | 195663   | 1 | -Not for USA and CDN-<br>TYRE PRESSURE PLATE  |
| 14 | 198189   | 1 | -Valid for USA and CDN-<br>COMPLETE CYLINDER FOR TYRE<br>REPAIR                         |
| 14 | 152367   | 1 | -Not as spare part now-<br>-Replaced by 152367-<br>COMPLETE CYLINDER FOR TYRE<br>REPAIR |
| 15 | 137724   | 1 | CYLINDER FOR TYRE REPAIR  |
| 16 | 166537   | 1 | CASING  |
| 17 | 198190   | 1 | PORTFOLIO   |

Enzo Ferrari - 46 - TYRES PRESSURE CONTROL SYSTEM - Not for J -

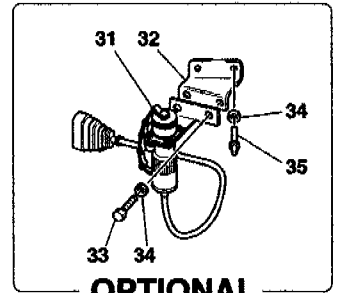


Enzo Ferrari - 46 - TYRES PRESSURE CONTROL SYSTEM - Not for J -

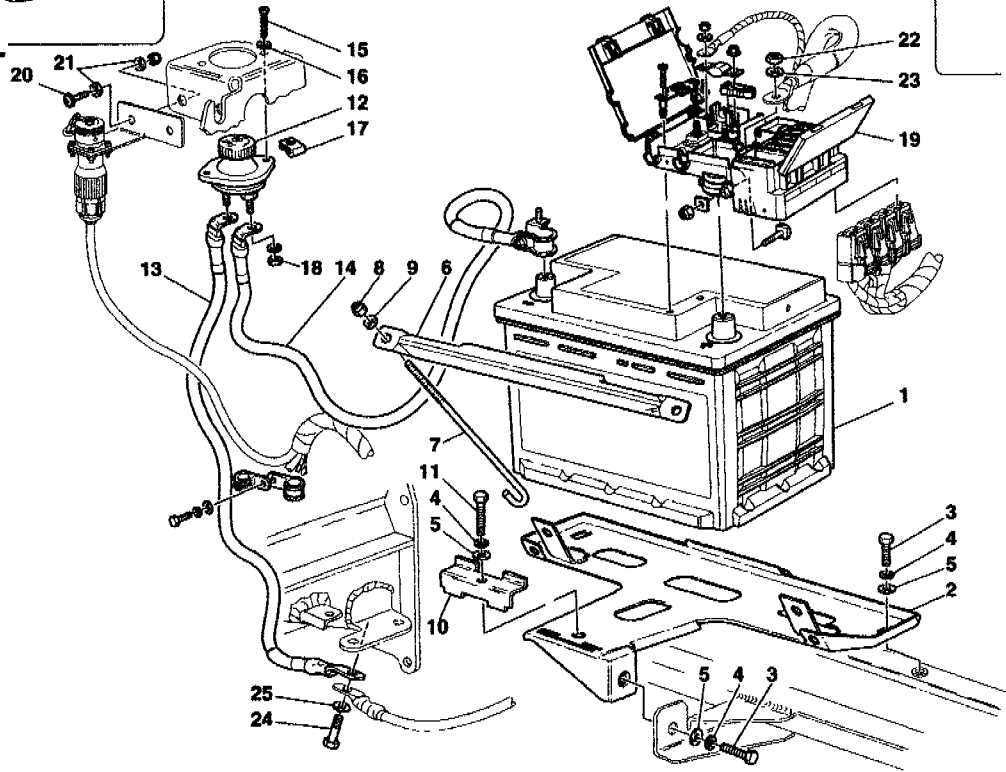
|    |          |    |  |
|----|----------|----|--|
| 1  | 185183   | 1  | TYRES PRESSURE CONTROL<br>STATION<br>-Not as spare part now-<br>-Replaced by 199768- |
| 1  | 199768   | 1  | TYRES PRESSURE CONTROL<br>STATION  |
| 2  | 169180   | 2  | NUT  |
| 3  | 10519304 | 2  | WASHER   |
| 4  | 184615   | 1  | TYRES PRESSURE CONTROL SYSTEM<br>GAUGING SWITCH<br>-Not for J-                       |
| 4  | 195271   | 1  | DUMMY SWITCH<br>-Valid for J-  |
| 5  | 185184   | 4  | TYRES PRESSURE CONTROL<br>ANTENNA  |
| 6  | 67287800 | 1  | R.H. UPPER FRONT BRACKET   |
| 6  | 67287900 | 1  | L.H. UPPER FRONT BRACKET   |
| 7  | 67288000 | 1  | R.H. LOWER FRONT BRACKET   |
| 7  | 67288100 | 1  | L.H. LOWER FRONT BRACKET   |
| 8  | 187504   | 4  | CLIP   |
| 9  | 10902224 | 4  | SCREW  |
| 10 | 12644424 | 8  | WASHER   |
| 11 | 12601274 | 4  | WASHER   |
| 12 | 10720124 | 4  | NUT  |
| 13 | 102741   | 4  | NUT  |
| 14 | 12644477 | 12 | WASHER   |
| 15 | 189926   | 4  | SPACER   |
| 16 | 14305587 | 4  | SCREW  |
| 17 | 12620474 | 4  | WASHER   |
| 18 | 10720124 | 4  | NUT  |
| 19 | 192567   | 1  | TYRES PRESSURE CONTROL CABLES<br>-Not as spare part now-<br>-Replaced by 201100-     |
| 19 | 201100   | 1  | TYRES PRESSURE CONTROL CABLES  |
| 20 | 194621   | 1  | SYSTEM TYRE PRESSURE PLATE   |



OPTIONAL



OPTIONAL

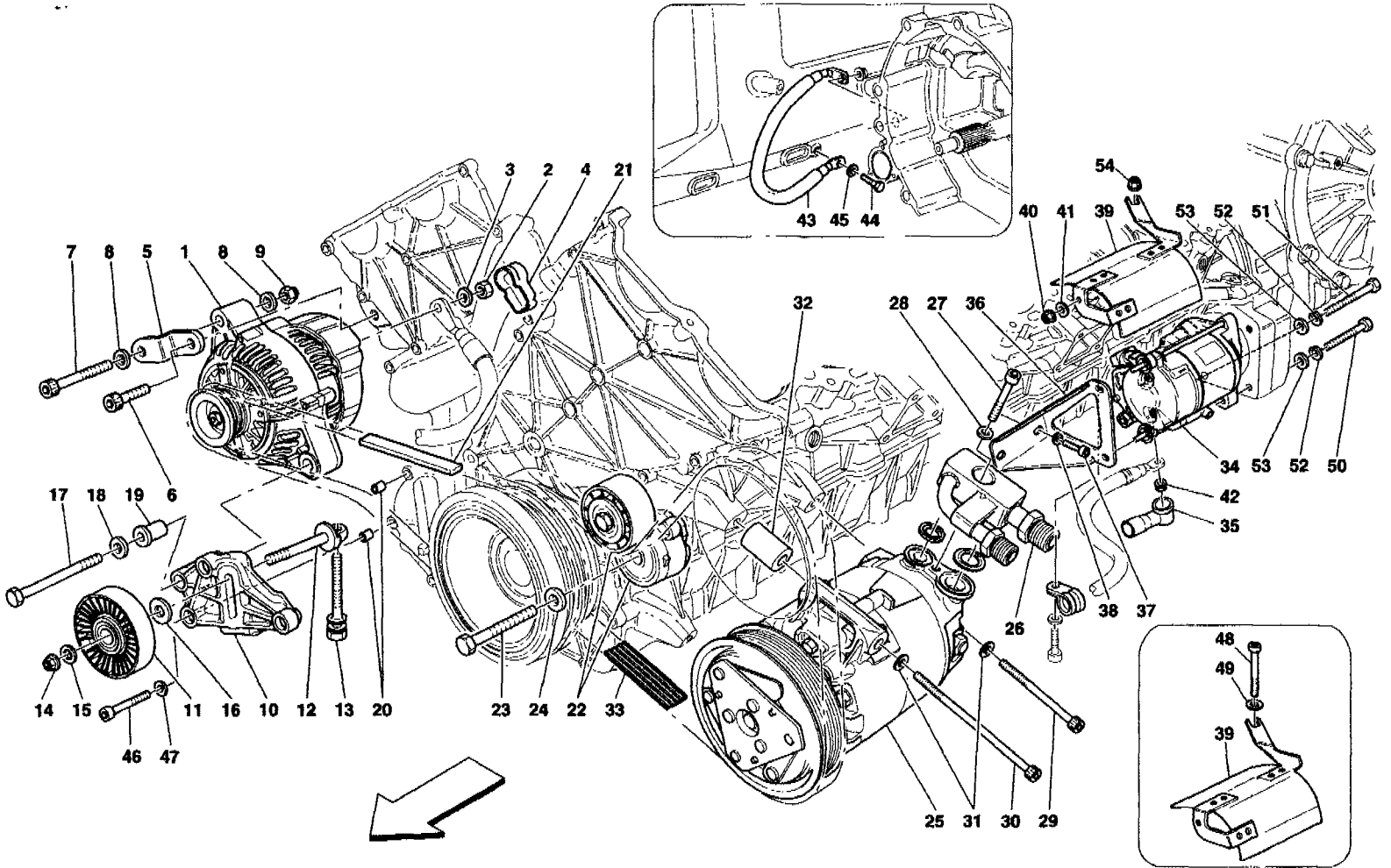


Enzo Ferrari - 47 - BATTERY

|    |          |   |  |
|----|----------|---|--|
| 1  | 168524   | 1 | 60AH 400A HERMETIC VR 68 BATTERY   |
| 2  | 67119400 | 1 | PLATE FOR BATTERY<br>SUPPORT   |
| 3  | 16043434 | 3 | SCREW  |
| 4  | 127496   | 4 | WASHER   |
| 5  | 14496524 | 4 | WASHER   |
| 6  | 67119300 | 1 | ANGLE PIECE  |
| 7  | 67119200 | 2 | TIE ROD  |
| 8  | 102948   | 2 | NUT  |
| 9  | 14496424 | 2 | WASHER   |
| 10 | 154324   | 1 | MOBILE BRACKET   |
| 11 | 16043724 | 1 | SCREW  |
| 12 | 139607   | 1 | CUT-OUT SWITCH   |
| 13 | 190222   | 1 | GROUND CABLE FOR CUT-OUT SWITCH  |
| 14 | 190223   | 1 | BATTERY CONNECTION CABLE TO<br>CUT-OUT SWITCH  |
| 15 | 15688275 | 2 | SCREW  |
| 16 | 12638177 | 2 | WASHER   |
| 17 | 61067800 | 2 | BRACKET  |
| 18 | 102741   | 2 | NUT  |
| 19 | 189561   | 1 | FUSES BOX  |
| 20 | 10902224 | 2 | SCREW  |
| 21 | 10519424 | 4 | WASHER   |
| 22 | 16102314 | 1 | NUT  |
| 23 | 127496   | 1 | WASHER   |
| 24 | 16043524 | 1 | SCREW  |
| 25 | 10519624 | 1 | WASHER   |
| 26 | 178682   | 1 | BATTERY CHARGER KIT<br>-Not for USA, CDN, J, GB, Hong Kong and<br>AUS-<br>-Optional- |
| 26 | 178683   | 1 | BATTERY CHARGER KIT<br>-Valid for USA, CDN and J-<br>-Optional-                      |
| 26 | 178685   | 1 | BATTERY CHARGER KIT<br>-Valid for GB and Hong Kong-<br>-Optional-                    |
| 26 | 178684   | 1 | BATTERY CHARGER KIT<br>-Valid for AUS-<br>-Optional-                                 |
| 27 | 65699200 | 1 | BATTERY BAG CASE<br>-Optional-   |
| 28 | 177791   | 1 | BATTERY CHARGER<br>-230V-<br>-Not for USA, CDN and J-<br>-Optional-                  |
| 28 | 177792   | 1 | BATTERY CHARGER<br>-110V-<br>-Not for USA, CDN and J-<br>-Optional-                  |
| 29 | 177794   | 1 | POWER SUPPLY CABLE<br>-Not for USA, CDN, J, GB, Hong Kong and<br>AUS-<br>-Optional-  |
| 29 | 177795   | 1 | POWER SUPPLY CABLE<br>-Valid for USA, CDN and J-<br>-Optional-                       |
| 29 | 178294   | 1 | POWER SUPPLY CABLE<br>-Valid for GB and Hong Kong-<br>-Optional-                     |
| 29 | 177796   | 1 | POWER SUPPLY CABLE<br>-Valid for AUS-<br>-Optional-                                  |
| 30 | 178676   | 1 | CABLE WITH CONNECTOR<br>-Optional-   |
| 31 | 184585   | 1 | BATTERY CHARGING<br>CONNECTION CABLE<br>-Optional-                                   |

|    |          |   |   |
|----|----------|---|---|
| 31 | 200857   | 1 | -Not as spare part now-<br>-Replaced by 200857-<br>BATTERY CHARGING<br>CONNECTION CABLE |
| 32 | 185565   | 1 | -Optional-<br>BRACKET   |
| 33 | 10902224 | 2 | -Optional-<br>SCREW   |
| 34 | 10519424 | 4 | -Optional-<br>WASHER  |
| 35 | 62738200 | 2 | -Optional-<br>RIVET   |

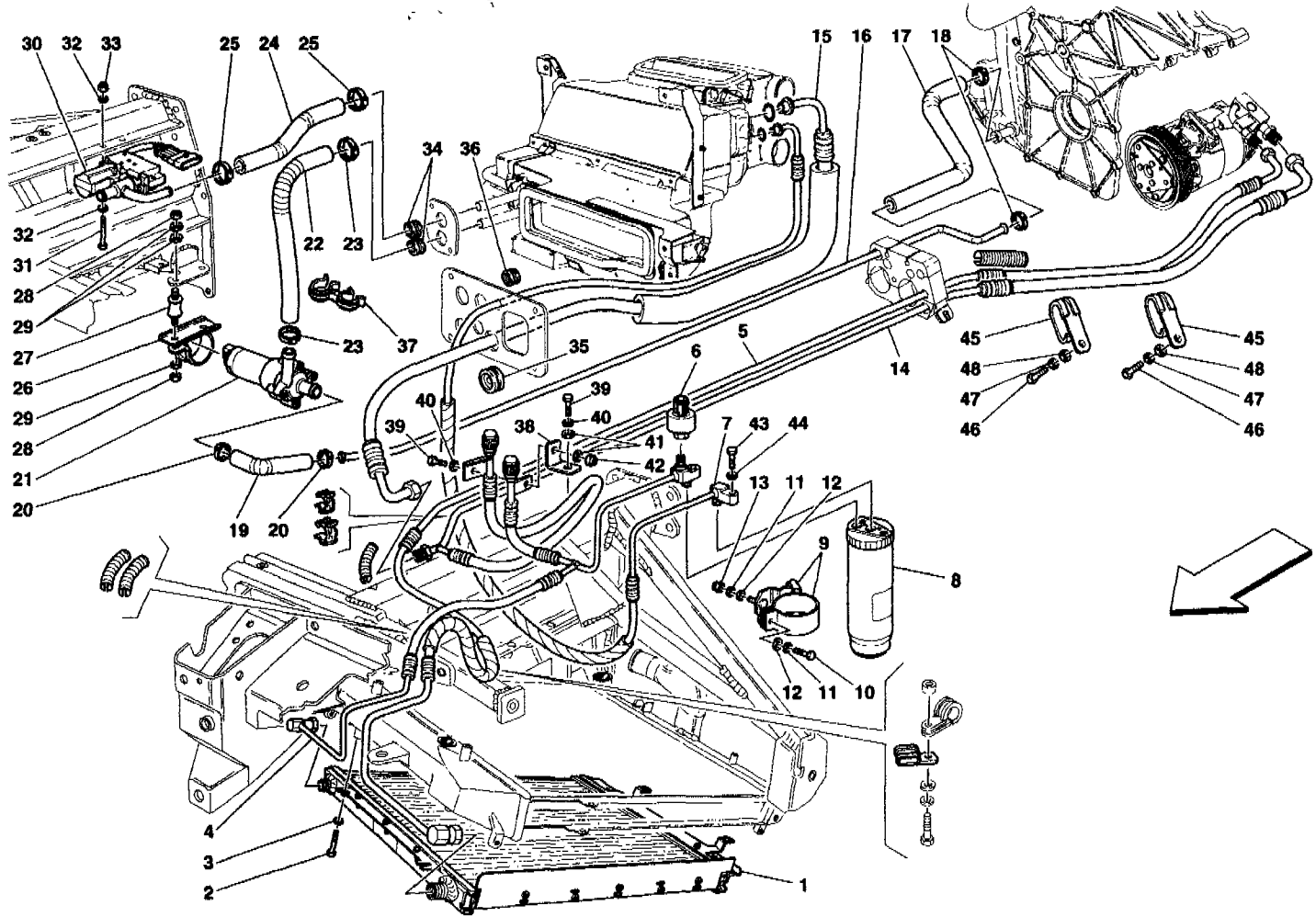
Enzo Ferrari - 48 - ALTERNATOR, STARTING MOTOR AND A.C. COMPRESSOR



Enzo Ferrari - 48 - ALTERNATOR, STARTING MOTOR AND A.C. COMPRESSOR

|    |          |   |                                     |
|----|----------|---|-------------------------------------|
| 1  | 182697   | 1 | 150 A. ALTERNATOR                   |
| 2  | 16102314 | 1 | NUT                                 |
| 3  | 12601374 | 1 | WASHER                              |
| 4  | 154803   | 1 | PROTECTION BOOT                     |
| 5  | 185936   | 1 | UPPER BRACKET                       |
| 6  | 14360124 | 1 | SCREW                               |
| 7  | 14307924 | 1 | SCREW                               |
|    |          |   | -Not as spare part-                 |
|    |          |   | -Replaced by 14307824-              |
| 7  | 14307824 | 1 | SCREW                               |
| 8  | 13550421 | 2 | WASHER                              |
| 9  | 102742   | 1 | NUT                                 |
| 10 | 185646   | 1 | LOWER BRACKET                       |
| 11 | 172537   | 1 | BELT TIGHTENING PULLEY              |
| 12 | 185918   | 1 | PIN                                 |
| 13 | 185919   | 1 | SCREW                               |
| 14 | 133216   | 1 | NUT                                 |
| 15 | 102695   | 1 | WASHER                              |
| 16 | 174508   | 1 | WASHER                              |
| 17 | 15971821 | 1 | SCREW                               |
| 18 | 11190574 | 1 | WASHER                              |
| 19 | 152496   | 1 | BUSHING                             |
| 20 | 103038   | 2 | CENTERING DOWEL                     |
| 21 | 182720   | 1 | GENERATOR CONTROL BELT              |
| 22 | 175436   | 1 | BELT TIGHTENING                     |
| 23 | 16044431 | 1 | SCREW                               |
| 24 | 11193874 | 1 | WASHER                              |
| 25 | 192335   | 1 | AIR CONDITIONING<br>COMPRESSOR      |
| 26 | 67085200 | 1 | FREON DISTRIBUTOR                   |
| 27 | 14306424 | 1 | SCREW                               |
| 28 | 11193874 | 1 | WASHER                              |
| 29 | 14307124 | 2 | SCREW                               |
| 30 | 175428   | 1 | SCREW                               |
| 31 | 11193874 | 3 | WASHER                              |
| 32 | 141496   | 1 | SPACER                              |
| 33 | 182773   | 1 | COMPRESSOR CONTROL<br>BELT          |
| 34 | 180169   | 1 | STARTER MOTOR                       |
| 35 | 124683   | 1 | PROTECTION BOOT                     |
| 36 | 184112   | 1 | STARTER MOTOR SUPPORTING<br>BRACKET |
| 37 | 14305724 | 2 | SCREW                               |
| 38 | 11197774 | 2 | WASHER                              |
| 39 | 194272   | 1 | PROTECTION SHIELD                   |
| 40 | 160472   | 2 | NUT                                 |
| 41 | 61148700 | 2 | WASHER                              |
| 42 | 160472   | 1 | NUT                                 |
| 43 | 182225   | 1 | CABLE FOR ENGINE-FRAME EARTH        |
| 44 | 16043124 | 1 | SCREW                               |
| 45 | 14496524 | 1 | WASHER                              |
| 46 | 14305624 | 3 | SCREW                               |
| 47 | 11197774 | 3 | WASHER                              |
| 48 | 14305824 | 1 | SCREW                               |
| 49 | 11197774 | 1 | WASHER                              |
| 50 | 16044624 | 2 | SCREW                               |
| 51 | 16045424 | 1 | SCREW                               |
| 52 | 127496   | 3 | WASHER                              |
| 53 | 10519624 | 3 | WASHER                              |
| 54 | 132877   | 1 | NUT                                 |
|    |          |   | -Not as spare part-                 |
|    |          |   | -Replaced by 194031-                |
| 54 | 194031   | 1 | NUT                                 |

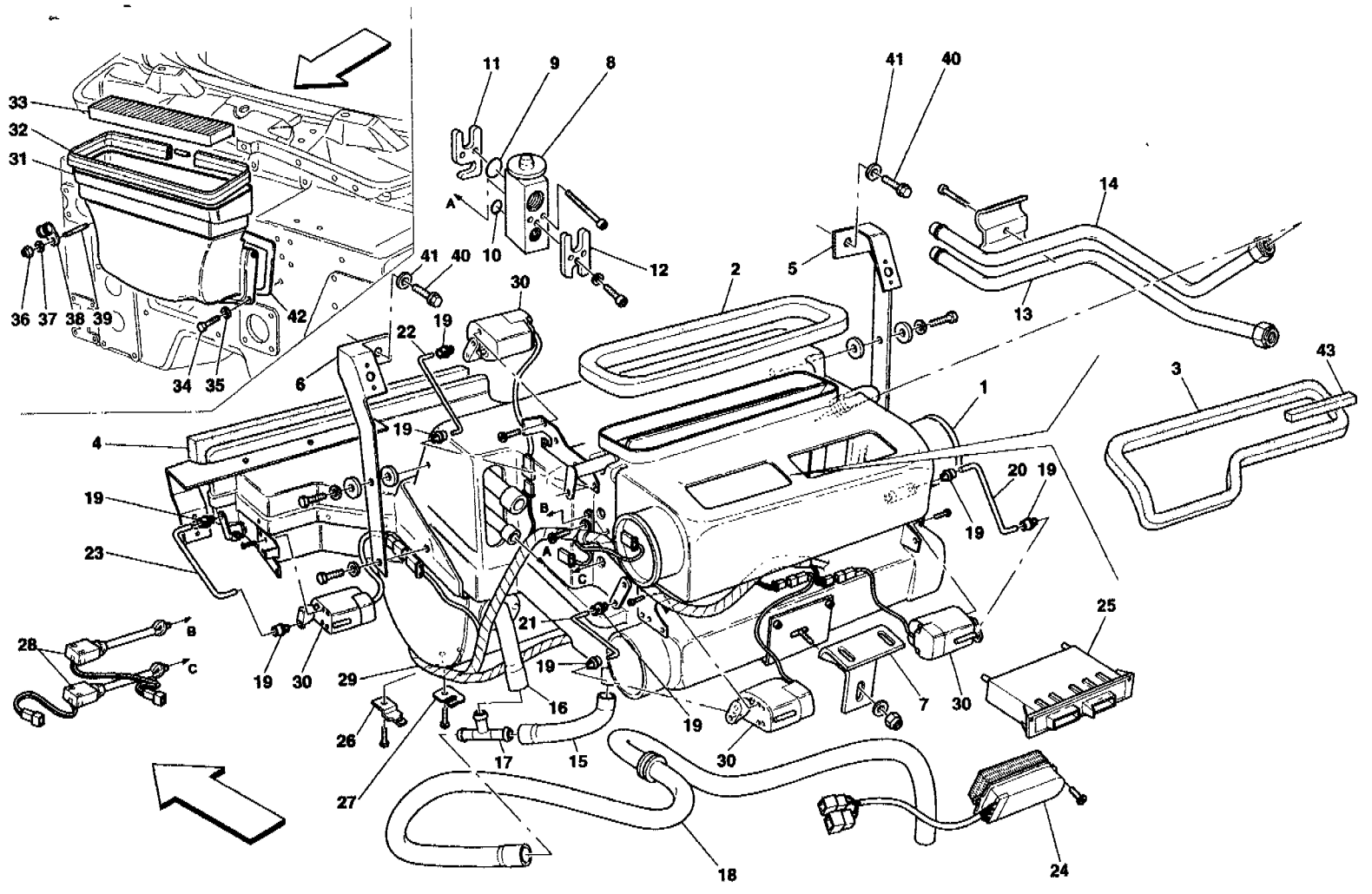
Enzo Ferrari - 49 - AIR CONDITIONING SYSTEM



Enzo Ferrari - 49 - AIR CONDITIONING SYSTEM

|    |          |   |  |
|----|----------|---|--|
| 1  | 190618   | 1 | A.C. CONDENSER                         |
| 2  | 10902024 | 4 | SCREW                                  |
| 3  | 11197777 | 4 | WASHER                                 |
| 4  | 66697400 | 1 | PIPE FROM CONDENSER TO FILTER          |
| 5  | 66697300 | 1 | PIPE FROM COMPRESSOR TO CONDENSER      |
| 6  | 65628200 | 1 | PRESSOSTAT                             |
| 7  | 66697500 | 1 | PIPE FROM FILTER TO EVAPORATOR         |
| 8  | 67085100 | 1 | DEHYDRATING FILTER                     |
| 9  | 66952600 | 1 | CLAMP FOR FILTER                       |
| 10 | 10902124 | 1 | SCREW                                  |
| 11 | 14498801 | 3 | WASHER                                 |
| 12 | 12601274 | 3 | WASHER                                 |
| 13 | 10720114 | 2 | NUT                                    |
| 14 | 67085500 | 1 | CONJUNCTION GAS PIPE TO<br>COMPRESSOR  |
| 15 | 66697600 | 1 | PIPE FROM EVAPORATOR TO CONJUNCTION    |
| 16 | 193479   | 1 | WATER PIPE FOR HEATER                  |
| 17 | 194064   | 1 | WATER PIPE FROM ENGINE                 |
| 18 | 13433370 | 2 | COLLAR FOR SLEEVE                      |
| 19 | 67191200 | 1 | WATER PIPE FROM UNDER FLOOR<br>TO PUMP |
| 20 | 13000490 | 2 | SCREW COLLAR                           |
| 21 | 65460300 | 1 | MINIMUM PUMP                           |
| 22 | 67191700 | 1 | PIPE FROM PUMP TO HEATER               |
| 23 | 13000390 | 2 | SCREW COLLAR                           |
| 24 | 67191500 | 1 | PIPE FROM TGK VALVE TO HEATER          |
| 25 | 13000390 | 2 | SCREW COLLAR                           |
| 26 | 63994900 | 1 | BRACKET FOR PUMP FIXING                |
| 27 | 142202   | 2 | PAD                                    |
| 28 | 15896214 | 4 | NUT                                    |
| 29 | 12601274 | 6 | WASHER                                 |
| 30 | 65066400 | 1 | TGK VALVE                              |
| 31 | 15210824 | 2 | SCREW                                  |
| 32 | 10519224 | 4 | WASHER                                 |
| 33 | 62790300 | 2 | NUT                                    |
| 34 | 10396580 | 2 | CABLE GROMMET                          |
| 35 | 10397980 | 1 | CABLE GROMMET                          |
| 36 | 10396480 | 1 | CABLE GROMMET                          |
| 37 | 140730   | 2 | FIXING CLIP                            |
| 38 | 67380500 | 1 | BRACKET                                |
| 39 | 10902287 | 2 | SCREW                                  |
| 40 | 14499378 | 2 | WASHER                                 |
| 41 | 67555400 | 2 | WASHER                                 |
| 42 | 102741   | 1 | NUT                                    |
| 43 | 10902624 | 1 | SCREW                                  |
| 44 | 11193274 | 1 | WASHER                                 |
| 45 | 138478   | 2 | CLAMP                                  |
| 46 | 10902224 | 4 | SCREW                                  |
| 47 | 12644424 | 4 | WASHER                                 |
| 48 | 12601274 | 4 | WASHER                                 |

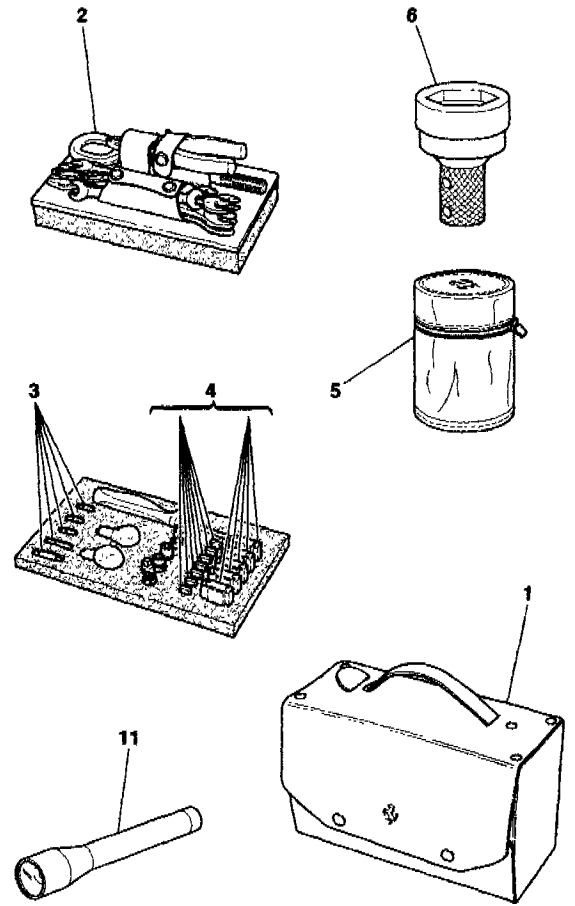
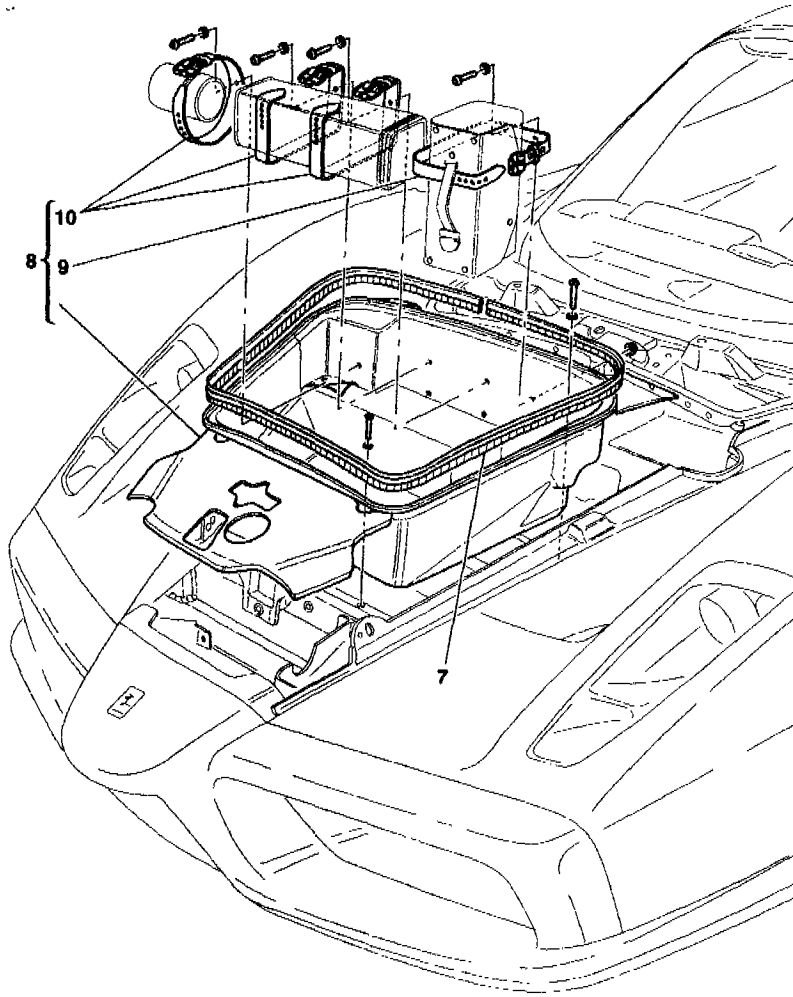
Enzo Ferrari - 50 - EVAPORATOR UNIT



Enzo Ferrari - 50 - EVAPORATOR UNIT

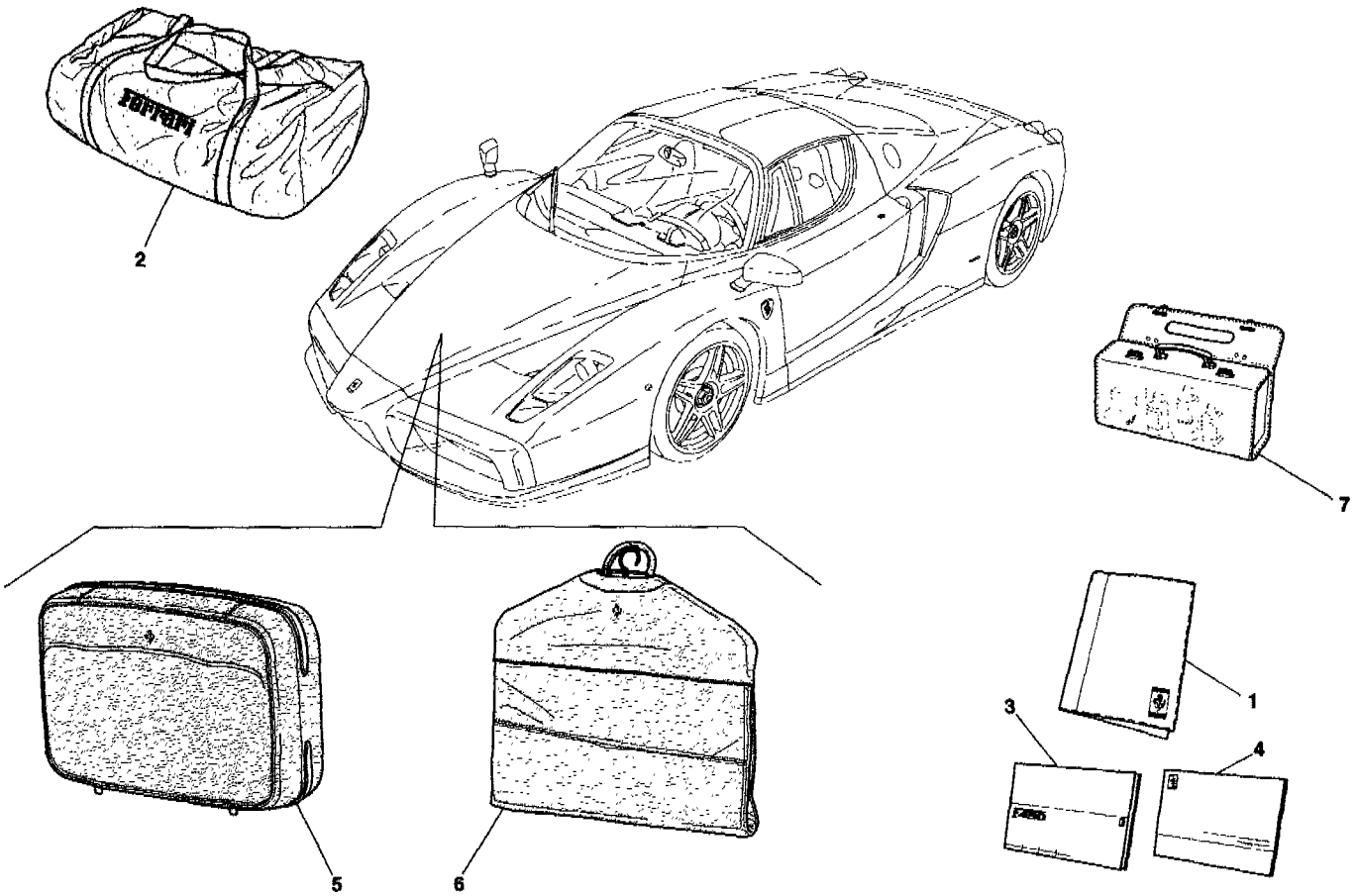
|    |          |   |  |
|----|----------|---|--|
| 1  | 67080100 | 1 | COMPLETO EVAPORATOR SET<br>-Not as spare part-<br>-Replaced by 68028700- |
| 1  | 68028700 | 1 | COMPLETO EVAPORATOR SET  |
| 2  | 67591000 | 1 | UPPER GASKET   |
| 3  | 67591100 | 1 | FRONT GASKET   |
| 4  | 67590900 | 1 | GASKET   |
| 5  | 67589300 | 1 | R.H. BRACKET   |
| 6  | 67589200 | 1 | L.H. BRACKET   |
| 7  | 67589100 | 1 | CENTRAL BRACKET  |
| 8  | 67591700 | 1 | EXPANSION VALVE  |
| 9  | 66309500 | 1 | O.R. GASKET  |
| 10 | 66309400 | 1 | O.R. GASKET  |
| 11 | 67588300 | 1 | FRONT FLANGE   |
| 12 | 67592000 | 1 | REAR FLANGE  |
| 13 | 67589900 | 1 | WATER ENTRY PIPE   |
| 14 | 67589800 | 1 | WATER OUTLET PIPE  |
| 15 | 67591500 | 1 | SLEEVE   |
| 16 | 67591400 | 1 | SLEEVE   |
| 17 | 67589700 | 1 | 3-WAY UNION  |
| 18 | 67591600 | 1 | SLEEVE FOR CONDENSATE VENT   |
| 19 | 67592900 | 6 | THREADED INSERT  |
| 20 | 67590200 | 1 | R.H. CONNECTION ROD  |
| 21 | 67590700 | 1 | L.H. REAR LOWER CONNECTION<br>ROD  |
| 22 | 67590600 | 1 | L.H. UPPER CONNECTION ROD  |
| 23 | 67590000 | 1 | L.H. FRONT LOWER CONNECTION<br>ROD                                       |
| 24 | 64280200 | 1 | ELECTRO-BLOWER REGULATOR   |
| 25 | 198192   | 1 | ELECTRONIC CONTROL<br>STATION  |
| 26 | 67589600 | 1 | CONNECTOR SUPPORT BRACKET  |
| 27 | 67589400 | 1 | CLIP   |
| 28 | 65066600 | 2 | THERMICAL FEELER   |
| 29 | 67589500 | 1 | A/C GROUP ELECTRIC SYSTEM  |
| 30 | 66207300 | 4 | ACTUATOR   |
| 31 | 66508400 | 1 | INTAKE DUCTING   |
| 32 | 65750900 | 1 | GASKET   |
| 33 | 65384300 | 1 | ANTI-POLLEN FILTER   |
| 34 | 10902224 | 4 | SCREW  |
| 35 | 11193274 | 4 | WASHER   |
| 36 | 102741   | 1 | NUT  |
| 37 | 12644424 | 1 | WASHER   |
| 38 | 10440990 | 1 | BRACKET WITH SHEATH  |
| 39 | 13541224 | 1 | STUD   |
| 40 | 16135624 | 2 | SCREW  |
| 41 | 12625224 | 2 | WASHER   |
| 42 | 67545900 | 1 | GASKET   |
| 43 | 65973200 | 1 | ANTI-VIBRATIONS  |

Enzo Ferrari - 51 - TRUNK COMPARTMENT AND TOOLS EQUIPMENT



Enzo Ferrari - 51 - TRUNK COMPARTMENT AND TOOLS EQUIPMENT

|    |          |   |                                   |
|----|----------|---|-----------------------------------|
| *  | 198186   | 1 | COMPLETE TOOL KIT BAG             |
| 1  | 198187   | 1 | EMPTY TOOL KIT BAG                |
| 2  | 155838   | 1 | TOW HOOK                          |
| 3  | 14148190 | 1 | 12V-21W BULB                      |
| 3  | 14144690 | 1 | 12V-21/5W BULB                    |
| 3  | 187652   | 1 | 12V-21W HALOGEN BULB              |
| 3  | 14144190 | 1 | 12V-5W GLASS BULB                 |
| 3  | 14143990 | 1 | 12V-3W GLASS BULB                 |
| 3  | 14142390 | 1 | 12V-4W BULB                       |
| 3  | 10857790 | 1 | 12V-5W BULB                       |
| 4  | 169438   | 1 | 20 A. MAXI FUSE                   |
| 4  | 170093   | 1 | 30 A. MAXI FUSE                   |
| 4  | 166835   | 1 | 40 A. MAXI FUSE                   |
| 4  | 172871   | 1 | 60 A. MAXI FUSE                   |
| 4  | 172873   | 1 | 80 A. MAXI FUSE                   |
| 4  | 172875   | 1 | 5 A. MINI FUSE                    |
| 4  | 172876   | 1 | 7,5 A. MINI FUSE                  |
| 4  | 172877   | 1 | 10 A. MINI FUSE                   |
| 4  | 172878   | 1 | 15 A. MINI FUSE                   |
| 4  | 172879   | 1 | 20 A. MINI FUSE                   |
| 4  | 172880   | 1 | 25 A. MINI FUSE                   |
| 4  | 172881   | 1 | 30 A. MINI FUSE                   |
| 4  | 198206   | 1 | FUSE 60 A.                        |
| 5  | 198195   | 1 | BUSHING PORTFOLIO                 |
| 6  | 169370   | 1 | BUSHING AND CLUTCHING<br>(ASSEM.) |
| 7  | 67532100 | 1 | GASKET                            |
| 8  | 67532000 | 1 | COMPLETE TRUNK COMPARTMENT        |
| 9  | 67635500 | 1 | TOOL KIT BAG BELT                 |
| 10 | 67635400 | 3 | BELT FIXING TOOL                  |
| 11 | 180720   | 1 | EMERGENCY LIGHT                   |



Enzo Ferrari - 52 - DOCUMENTATION AND ACCESSORIES

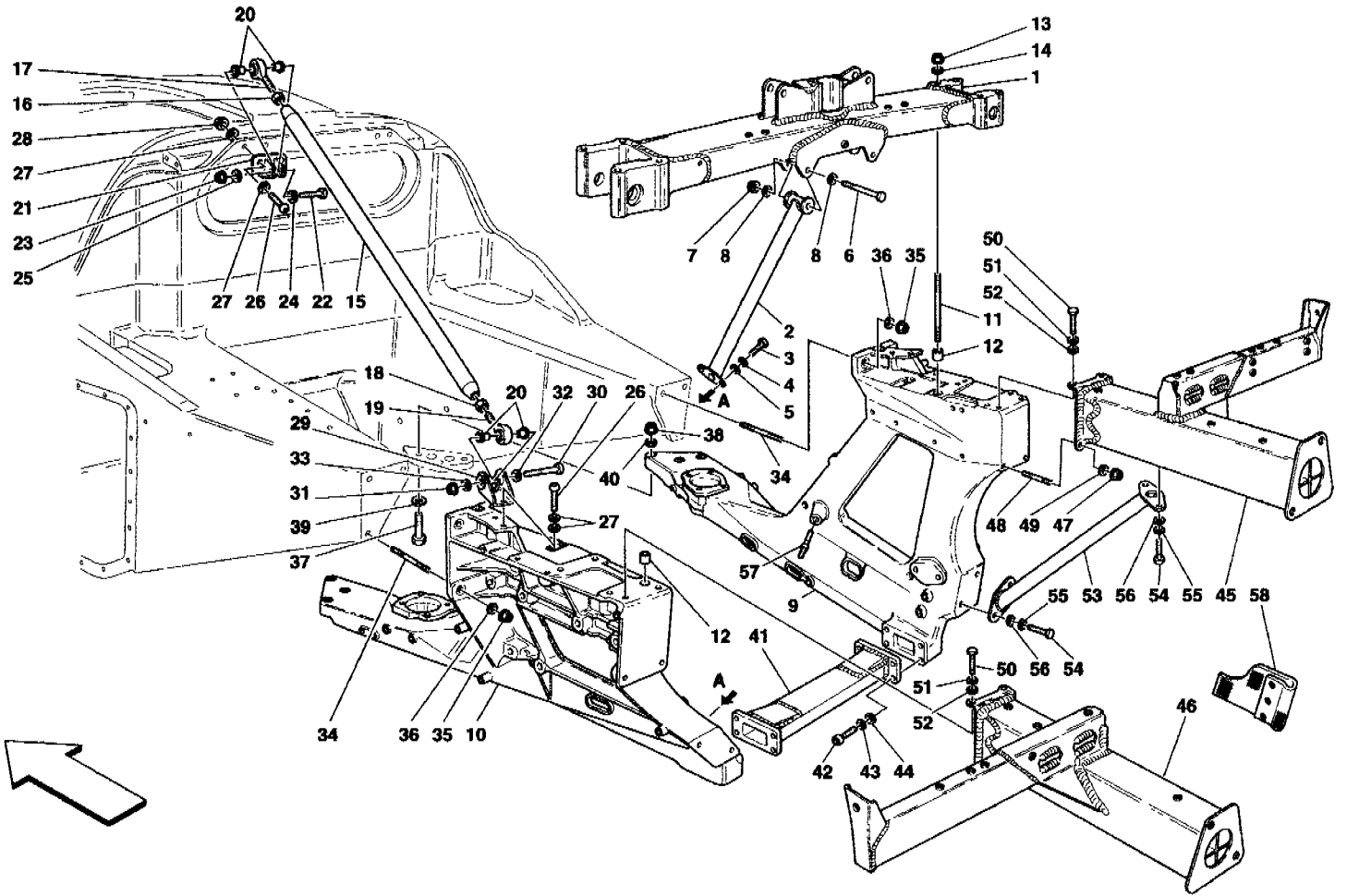
|   |          |   |  |
|---|----------|---|--|
| 1 | 67558600 | 1 | DOCUMENT ENVELOPE  |
| 2 | 67505300 | 1 | CAR PROTECTION KIT<br>-Composed by bag, steering wheel cover, car cover<br>and seat cover- |
| 3 | 67659400 | 1 | INSTRUCTION BOOK<br>-Not for USA, CDN and J-<br>-Italian, english, french and spanish-     |
| 3 | 67631800 | 1 | INSTRUCTION BOOK<br>-Not for USA, CDN and J-<br>-Italian, english, french and german-      |
| 3 | 67631300 | 1 | INSTRUCTION BOOK<br>-Valid for USA and CDN-<br>-Italian, english, french and spanish-      |
| 3 | 67631700 | 1 | INSTRUCTION BOOK<br>-Not for USA and CDN-<br>-Italian, english and japanese-               |
| 4 | 67754500 | 1 | DIRECT LINE BOOK   |
| 5 | 67558400 | 1 | BAG  |
| 6 | 67558500 | 2 | DRESS HOLDER BAG   |
| 7 | 70000911 | 1 | KIT PRODUCTS FOR THE CARE<br>OF THE CAR  |



Enzo Ferrari - 100 - MONOCOQUE BODY FRAME - FRONT FRAME - CENTRAL FLAT FLOOR PAN

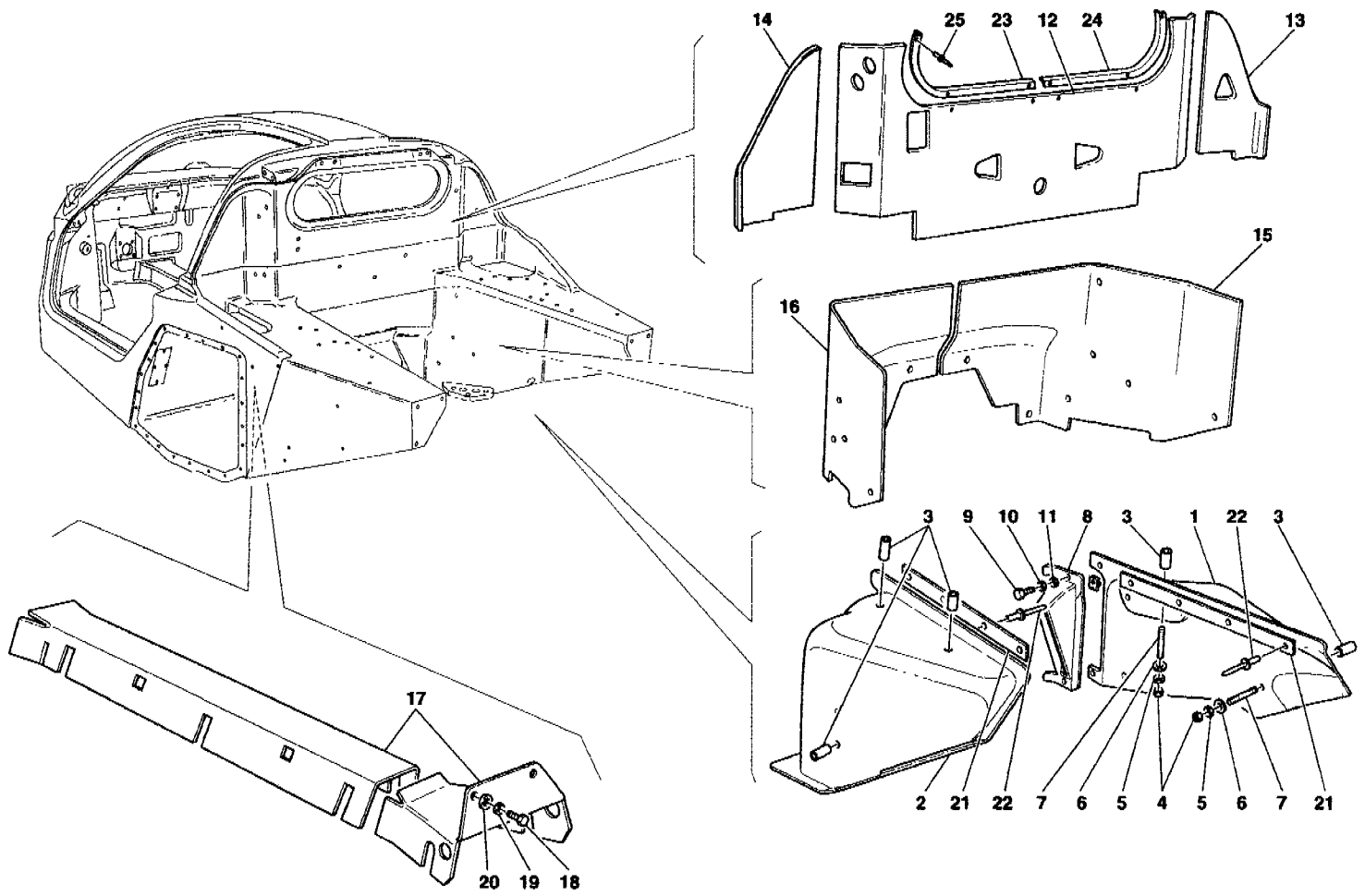
|    |          |    |   |
|----|----------|----|---|
| 1  | 66535400 | 1  | COMPLETE FRAME                          |
| 2  | 66486900 | 1  | FRONT FRAME                             |
| 3  | 189795   | 1  | R.H. COVER FIXING FUEL TANK             |
| 4  | 189796   | 1  | L.H. COVER FIXING FUEL TANK             |
| 5  | 66534000 | 1  | CENTRAL UNDER THE BODY SHELL<br>SHIELD  |
| 6  | 10902224 | 16 | SCREW                                   |
| 7  | 14498804 | 16 | WASHER                                  |
| 8  | 12620474 | 16 | WASHER                                  |
| 9  | 185664   | 2  | BRACKET FOR ELECTRICAL SYSTEM<br>FIXING |
| 10 | 10903224 | 2  | SCREW                                   |
| 11 | 14496424 | 2  | WASHER                                  |
| 12 | 12601274 | 2  | WASHER                                  |
| 13 | 145854   | 4  | CLAMP                                   |
| 14 | 13543324 | 16 | STUD                                    |
| 15 | 177778   | 16 | NUT                                     |
| 16 | 12638524 | 16 | WASHER                                  |
| 17 | 67113500 | 1  | PLATE FOR HEATER CABLE BUSHING          |
| 18 | 67113600 | 1  | PLATE FOR CABLE BUSHING                 |
| 19 | 10902324 | 6  | SCREW                                   |
| 20 | 14498801 | 6  | WASHER                                  |
| 21 | 10902424 | 24 | SCREW                                   |
| 22 | 10523424 | 24 | WASHER                                  |
| 23 | 127494   | 24 | WASHER                                  |
| 24 | 192956   | 1  | R.H. UPPER RUBBER THICKNESS             |
| 25 | 192957   | 1  | R.H. LOWER RUBBER THICKNESS             |
| 26 | 192955   | 1  | L.H. UPPER RUBBER THICKNESS             |
| 27 | 192954   | 1  | L.H. LOWER RUBBER THICKNESS             |
| 28 | 191990   | 1  | R.H. CONTOUR                            |
| 29 | 191991   | 1  | L.H. CONTOUR                            |
| 30 | 145854   | 4  | CLAMP                                   |
| 31 | 14507787 | 4  | PLUG                                    |

Enzo Ferrari - 101 - REAR FRAME



Enz6 Ferrari - 101 - REAR FRAME

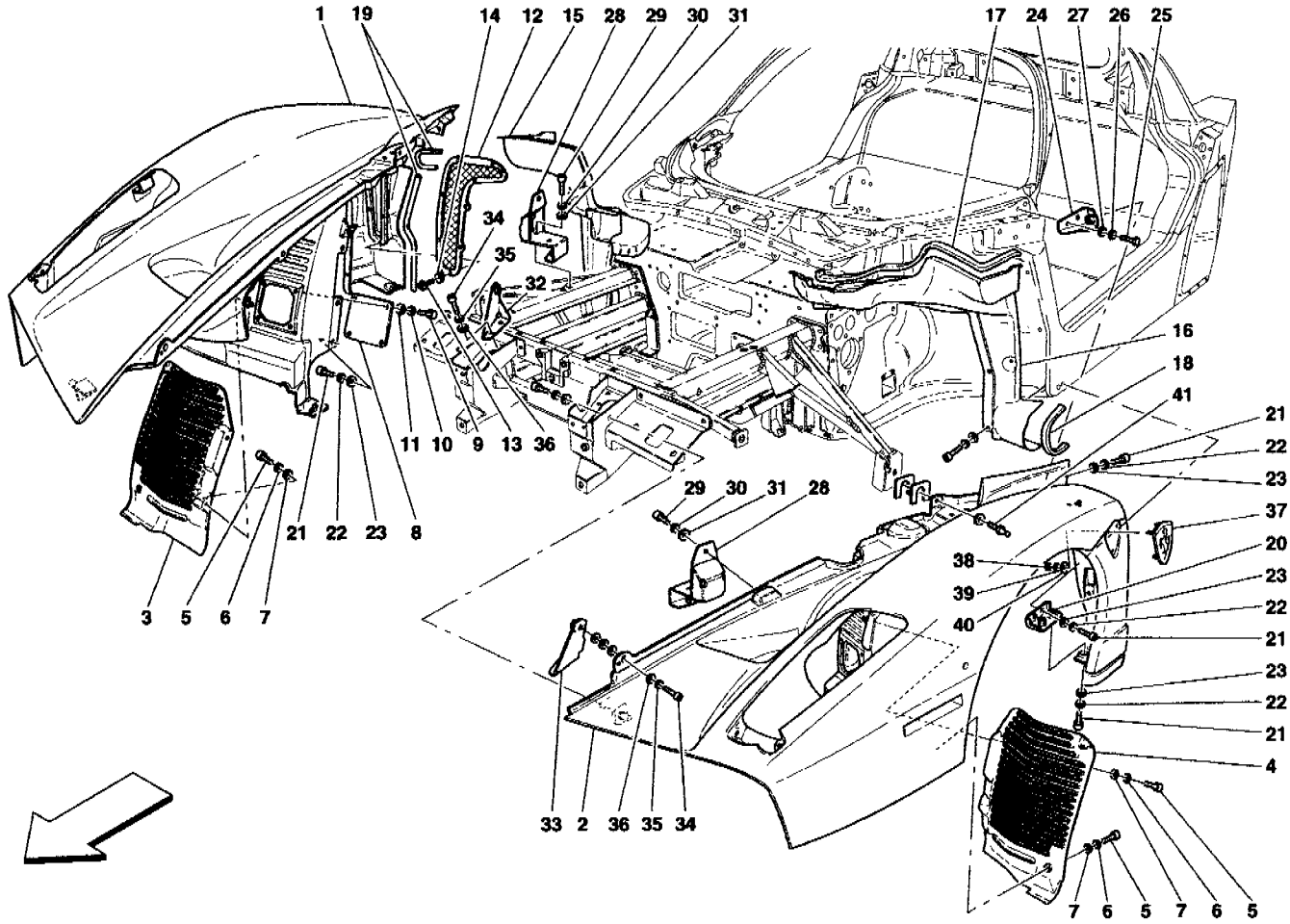
|    |          |    |                                       |
|----|----------|----|---------------------------------------|
| 1  | 66761700 | 1  | UPPER CROSS MEMBER                    |
| 2  | 66846900 | 1  | L.H. TRANSVERSE SPRAG                 |
| 2  | 66846800 | 1  | R.H. TRANSVERSE SPRAG                 |
| 3  | 16043424 | 4  | SCREW                                 |
| 4  | 14496524 | 4  | WASHER                                |
| 5  | 127496   | 4  | WASHER                                |
| 6  | 16044524 | 2  | SCREW                                 |
| 7  | 177778   | 2  | NUT                                   |
| 8  | 14496524 | 4  | WASHER                                |
| 9  | 186312   | 1  | R.H. FUSION FOR SUSPENSION CONNECTION |
| 10 | 186313   | 1  | L.H. FUSION FOR SUSPENSION CONNECTION |
| 11 | 13547724 | 8  | STUD                                  |
| 12 | 160971   | 2  | CENTERING DOWEL                       |
| 13 | 133216   | 8  | NUT                                   |
| 14 | 14496624 | 8  | WASHER                                |
| 15 | 67370700 | 2  | SPRAG                                 |
| 16 | 10717377 | 2  | NUT                                   |
| 17 | 148768   | 2  | BALL JOINT                            |
| 18 | 67592600 | 2  | L.H. THREADED NUT                     |
| 19 | 148769   | 2  | BALL JOINT                            |
| 20 | 66649100 | 8  | BUSHING                               |
| 21 | 66650600 | 2  | FORK CONNECTION SPRAG                 |
| 22 | 66650700 | 2  | SCREW                                 |
| 23 | 133216   | 2  | NUT                                   |
| 24 | 14496624 | 2  | WASHER                                |
| 25 | 12638624 | 2  | WASHER                                |
| 26 | 67254400 | 8  | SCREW                                 |
| 27 | 12638578 | 12 | WASHER                                |
| 28 | 177778   | 4  | NUT                                   |
| 29 | 66647200 | 2  | COMPLETE FORK CONNECTION SPRAG        |
| 30 | 66649300 | 2  | SCREW                                 |
| 31 | 133216   | 2  | NUT                                   |
| 32 | 14496624 | 2  | WASHER                                |
| 33 | 12638624 | 2  | WASHER                                |
| 34 | 13546635 | 6  | STUD                                  |
| 35 | 133216   | 6  | NUT                                   |
| 36 | 12638624 | 6  | WASHER                                |
| 37 | 15541124 | 6  | SCREW                                 |
| 38 | 191959   | 6  | NUT                                   |
| 39 | 14496724 | 6  | WASHER                                |
| 40 | 14499624 | 6  | WASHER                                |
| 41 | 67089600 | 1  | LOWER CROSS MEMBER                    |
| 42 | 14306374 | 8  | SCREW                                 |
| 43 | 14499424 | 8  | WASHER                                |
| 44 | 127496   | 8  | WASHER                                |
| 45 | 66586800 | 1  | R.H. REAR FRAME                       |
| 46 | 66586700 | 1  | L.H. REAR FRAME                       |
| 47 | 177778   | 4  | NUT                                   |
| 48 | 13543324 | 4  | STUD                                  |
| 49 | 14496524 | 4  | WASHER                                |
| 50 | 16043624 | 4  | SCREW                                 |
| 51 | 14496524 | 4  | WASHER                                |
| 52 | 127496   | 4  | WASHER                                |
| 53 | 66847400 | 1  | R.H. LONGITUDINAL SPRAG               |
| 53 | 66847500 | 1  | L.H. LONGITUDINAL SPRAG               |
| 54 | 16043424 | 8  | SCREW                                 |
| 55 | 14496524 | 8  | WASHER                                |
| 56 | 127496   | 8  | WASHER                                |
| 57 | 191481   | 2  | STUD                                  |
| 58 | 204065   | 1  | SHIELD                                |



Enzo Ferrari - 102 - HEAT SHIELDS AND INSULATIONS

|    |          |   |                                 |
|----|----------|---|---------------------------------|
| 1  | 67252200 | 1 | R.H. HEAT SHIELD                |
| 2  | 67252300 | 1 | L.H. HEAT SHIELD                |
| 3  | 170660   | 8 | SPACER                          |
| 4  | 15896224 | 8 | NUT                             |
| 5  | 12601274 | 8 | WASHER                          |
| 6  | 12643724 | 8 | WASHER                          |
| 7  | 13541924 | 8 | STUD                            |
| 8  | 67288800 | 1 | AIR CONVEYOR                    |
| 9  | 10902224 | 4 | SCREW                           |
| 10 | 12644424 | 4 | WASHER                          |
| 11 | 12601274 | 4 | WASHER                          |
| 12 | 67252000 | 1 | CENTRAL UPPER INSULATION SHIELD |
| 13 | 67251800 | 1 | R.H. UPPER INSULATION SHIELD    |
| 14 | 67251900 | 1 | L.H. UPPER INSULATION SHIELD    |
| 15 | 67286700 | 1 | R.H. LOWER INSULATION SHIELD    |
| 16 | 67286900 | 1 | L.H. LOWER INSULATION SHIELD    |
| 17 | 67286600 | 1 | TUNNEL INSULATION               |
| 18 | 10902224 | 2 | SCREW                           |
| 19 | 12601274 | 2 | WASHER                          |
| 20 | 12643724 | 2 | WASHER                          |
| 21 | 67655300 | 2 | SHIELD                          |
| 22 | 104021   | 8 | RIVET                           |
| 23 | 67422700 | 1 | L.H. ANGLE PIECE                |
| 24 | 67422800 | 1 | R.H. ANGLE PIECE                |
| 25 | 14643890 | 6 | RIVET                           |

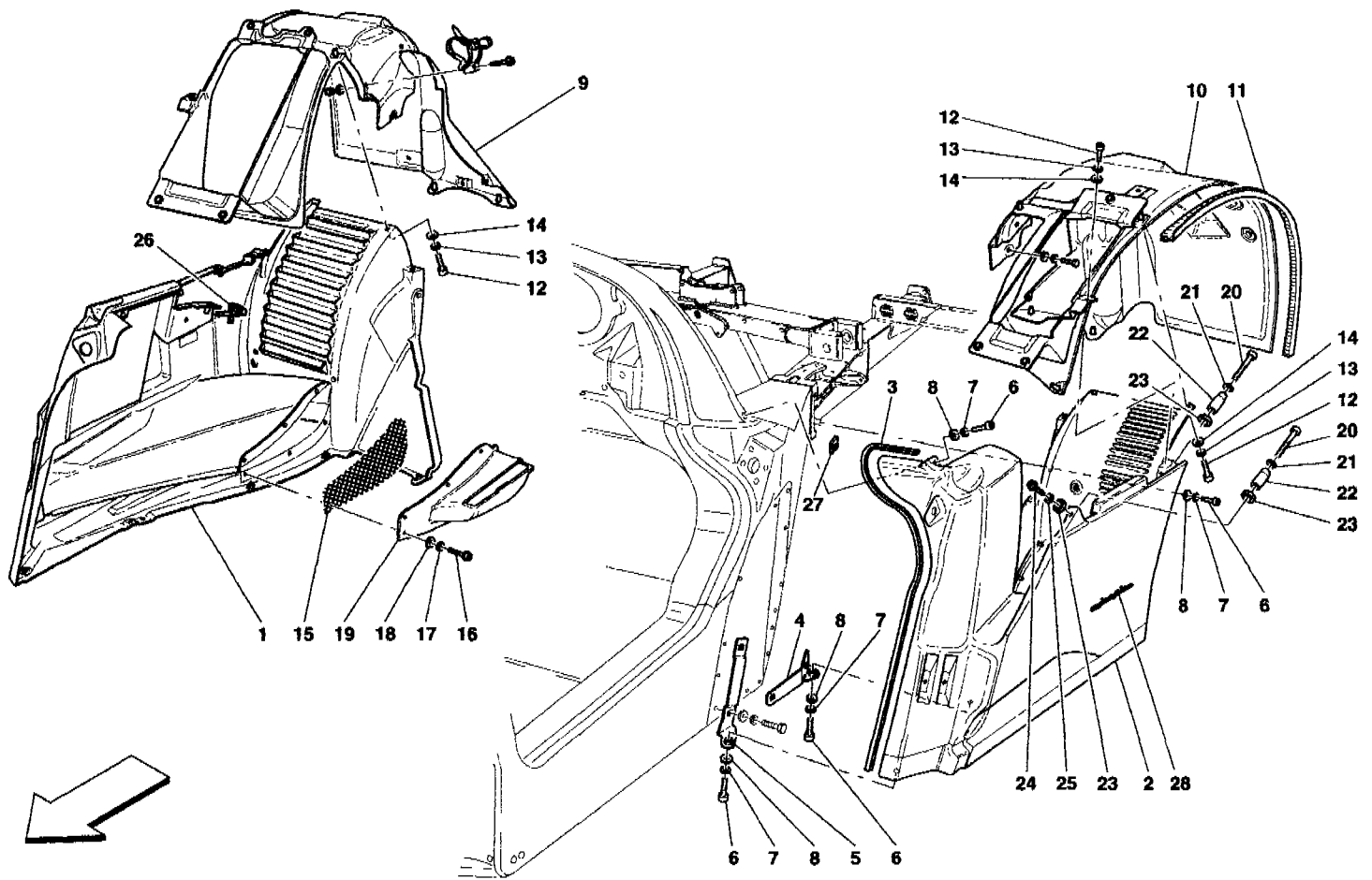
Enzo Ferrari - 103 - FRONT - OUTER TRIMS AND WHEELHOUSE



Enzo Ferrari - 103 - FRONT - OUTER TRIMS AND WHEELHOUSE

|    |          |    |  |
|----|----------|----|--|
| 1  | 66534300 | 1  | FRONT R.H. EXTERNAL TRIM               |
| 2  | 66531400 | 1  | FRONT L.H. EXTERNAL TRIM               |
| 3  | 66642500 | 1  | R.H. COVER FOR HEADLIGHT<br>INSPECTION |
| 4  | 66642600 | 1  | L.H. COVER FOR HEADLIGHT<br>INSPECTION |
| 5  | 14433124 | 8  | SCREW                                  |
| 6  | 14498804 | 8  | WASHER                                 |
| 7  | 12620474 | 8  | WASHER                                 |
| 8  | 67194300 | 2  | COVER FOR SLEEVES<br>INSPECTION        |
| 9  | 10979424 | 8  | SCREW                                  |
| 10 | 12601274 | 8  | WASHER                                 |
| 11 | 14498801 | 8  | WASHER                                 |
| 12 | 66925000 | 1  | R.H. GRILL                             |
| 12 | 66925100 | 1  | L.H. GRILL                             |
| 13 | 65366700 | 16 | SCREW                                  |
| 14 | 166467   | 16 | WASHER                                 |
| 15 | 66579300 | 1  | R.H. FRONT WHEELHOUSE                  |
| 16 | 66579200 | 1  | L.H. FRONT WHEELHOUSE                  |
| 17 | 66579400 | 2  | GASKET                                 |
| 18 | 66644000 | 2  | LOWER GASKET                           |
| 19 | 67287100 | 2  | PILLAR STRIP GASKET                    |
| 20 | 66655000 | 2  | LOWER BRACKET                          |
| 21 | 14305287 | 10 | SCREW                                  |
| 22 | 12620474 | 10 | WASHER                                 |
| 23 | 14498804 | 10 | WASHER                                 |
| 24 | 66755700 | 1  | L.H. UPPER BRACKET                     |
| 24 | 66755600 | 1  | R.H. UPPER BRACKET                     |
| 25 | 10902324 | 4  | SCREW                                  |
| 26 | 12620474 | 4  | WASHER                                 |
| 27 | 12644424 | 4  | WASHER                                 |
| 28 | 67250500 | 2  | BRACKET                                |
| 29 | 14433124 | 6  | SCREW                                  |
| 30 | 12644424 | 6  | WASHER                                 |
| 31 | 12620474 | 6  | WASHER                                 |
| 32 | 67193100 | 1  | R.H. FRONT BRACKET                     |
| 33 | 67193200 | 1  | L.H. FRONT BRACKET                     |
| 34 | 14433124 | 6  | SCREW                                  |
| 35 | 12644424 | 6  | WASHER                                 |
| 36 | 12620474 | 6  | WASHER                                 |
| 37 | 67417400 | 2  | SQUADRA CORSE SMALL SHIELD             |
| 38 | 16101711 | 6  | NUT                                    |
| 39 | 12034470 | 6  | WASHER                                 |
| 40 | 12642878 | 6  | WASHER                                 |
| 41 | 65939900 | 2  | PIN                                    |

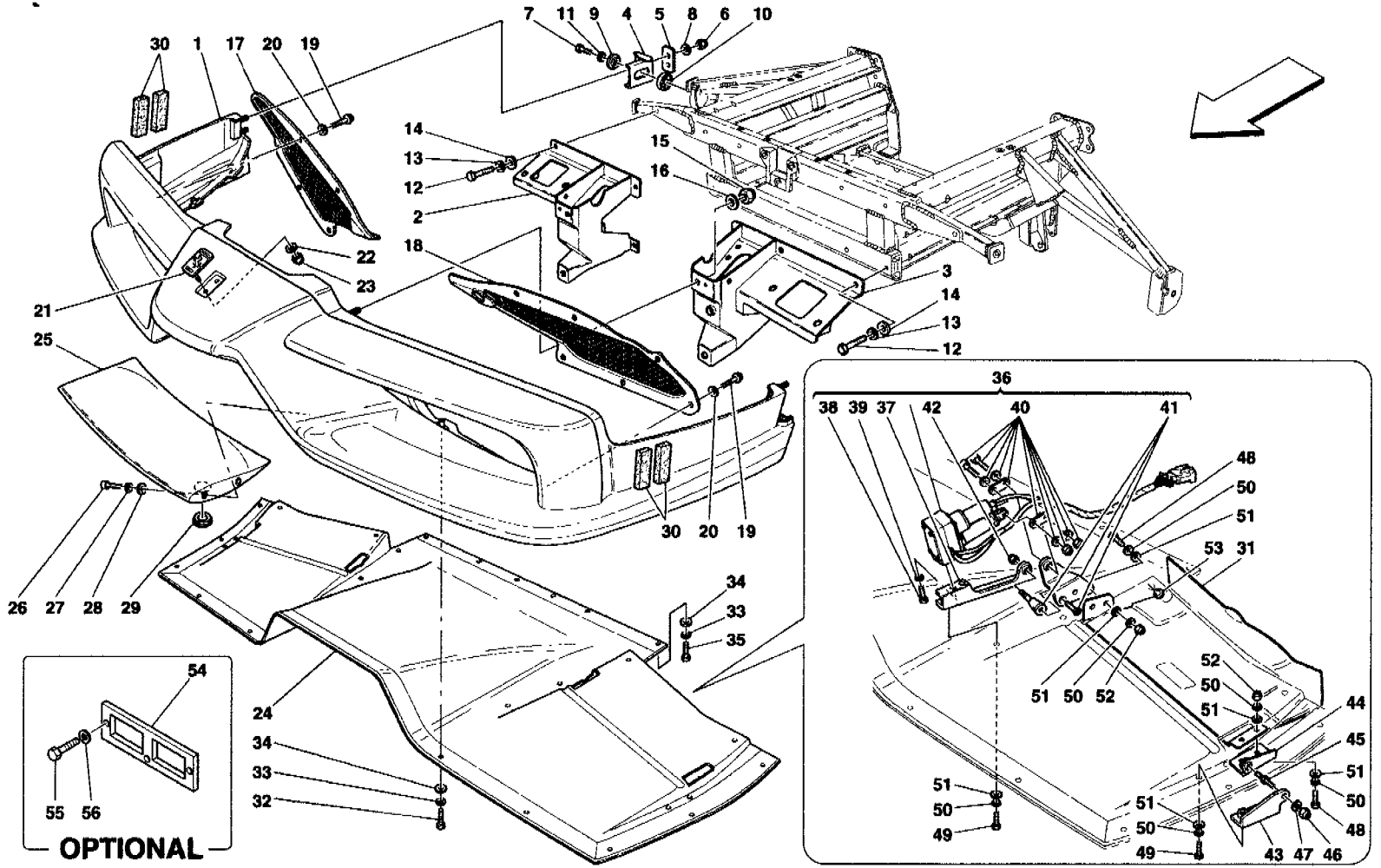
Enzo Ferrari - 104 - REAR - OUTER TRIMS AND WHEELHOUSE



Enzo Ferrari - 104 - REAR - OUTER TRIMS AND WHEELHOUSE

|    |          |    |                          |
|----|----------|----|--------------------------|
| 1  | 66534600 | 1  | R.H. REAR EXTERNAL PANEL |
| 2  | 66531700 | 1  | L.H. REAR EXTERNAL PANEL |
| 3  | 66644500 | 1  | L.H. GASKET              |
| 3  | 66580000 | 1  | R.H. GASKET              |
| 4  | 67114000 | 1  | REAR L.H. BRACKET        |
| 4  | 67113900 | 1  | REAR R.H. BRACKET        |
| 5  | 67119600 | 1  | FRONT L.H. BRACKET       |
| 5  | 67119500 | 1  | FRONT R.H. BRACKET       |
| 6  | 14305287 | 4  | SCREW                    |
| 7  | 12620477 | 4  | WASHER                   |
| 8  | 12644424 | 4  | WASHER                   |
| 9  | 66579600 | 1  | R.H. REAR WHEELHOUSE     |
| 10 | 66579500 | 1  | L.H. REAR WHEELHOUSE     |
| 11 | 66579900 | 2  | GASKET                   |
| 12 | 14305287 | 12 | SCREW                    |
| 13 | 12620477 | 12 | WASHER                   |
| 14 | 12644424 | 12 | WASHER                   |
| 15 | 66925700 | 1  | R.H. GRILL               |
| 15 | 66925800 | 1  | L.H. GRILL               |
| 16 | 14304187 | 12 | SCREW                    |
| 17 | 12637878 | 12 | WASHER                   |
| 18 | 12601177 | 12 | WASHER                   |
| 19 | 67379900 | 1  | R.H. AIR INLET           |
| 19 | 67380000 | 1  | L.H. AIR INLET           |
| 20 | 14358726 | 4  | SCREW                    |
| 21 | 166467   | 4  | WASHER                   |
| 22 | 67365600 | 4  | CENTERING CONE           |
| 23 | 67362500 | 6  | WASHER                   |
| 24 | 65366700 | 2  | SCREW                    |
| 25 | 166467   | 2  | WASHER                   |
| 26 | 67287200 | 2  | PILLAR STRIP GASKET      |
| 27 | 65887500 | 2  | SPACER                   |
| 28 | 64780500 | 2  | PININFARINA ORNAMENT     |

Enzo Ferrari - 105 - FRONT BUMPER AND FLAT FLOOR PAN



Enzo Ferrari - 105 - FRONT BUMPER AND FLAT FLOOR PAN

|    |          |    |                                      |
|----|----------|----|--------------------------------------|
| 1  | 66530410 | 1  | COMPLETE FRONT BUMPER                |
| 2  | 66719600 | 1  | R.H. BRACKET SUPPORTING BUMPER       |
| 3  | 66719700 | 1  | L.H. BRACKET SUPPORTING BUMPER       |
| 4  | 62973000 | 2  | FIXED BRACKET FOR<br>BUMPER          |
| 5  | 62126600 | 2  | PLATE                                |
| 6  | 104114   | 4  | NUT                                  |
| 7  | 11307024 | 2  | SCREW                                |
| 8  | 12646824 | 4  | WASHER                               |
| 9  | 62128200 | 2  | EXTERNAL SMALL BLOCK                 |
| 10 | 62128300 | 2  | INTERNAL SMALL BLOCK                 |
| 11 | 127497   | 2  | WASHER                               |
| 12 | 16043624 | 8  | SCREW<br>-M8x25-                     |
| 12 | 16043524 | 2  | SCREW<br>-M8x22-                     |
| 13 | 12625204 | 10 | WASHER                               |
| 14 | 12602474 | 10 | WASHER                               |
| 15 | 13046311 | 4  | NUT                                  |
| 16 | 67418200 | 4  | THICKNESS                            |
| 17 | 66924800 | 1  | BUMPER R.H. GRILL                    |
| 18 | 66924900 | 1  | BUMPER L.H. GRILL                    |
| 19 | 65366700 | 14 | SCREW                                |
| 20 | 166467   | 14 | WASHER                               |
| 21 | 65394800 | 1  | FRONT ORNAMENT                       |
| 22 | 12638177 | 1  | WASHER                               |
| 23 | 169180   | 1  | NUT                                  |
| 24 | 66530600 | 1  | FRONT UNDER THE BODY SHELL<br>SHIELD |
| 25 | 66761000 | 1  | FIXED STABILIZER BUMPER              |
| 26 | 14305224 | 4  | SCREW                                |
| 27 | 12644424 | 4  | WASHER                               |
| 28 | 12601274 | 4  | WASHER                               |
| 29 | 67254300 | 4  | PLUG                                 |
| 30 | 158346   | 4  | RUBBER THICKNESS                     |
| 31 | 66700000 | 1  | L.H. MOVABLE STABILIZER              |
| 31 | 66700100 | 1  | R.H. MOVABLE STABILIZER              |
| 32 | 10902224 | 16 | SCREW                                |
| 33 | 12620474 | 18 | WASHER                               |
| 34 | 14498804 | 18 | WASHER                               |
| 35 | 14742024 | 2  | SCREW                                |
| 36 | 66700500 | 1  | R.H. STABILIZER ACTUATOR ASSEMBLY    |
| 36 | 66700400 | 1  | L.H. STABILIZER ACTUATOR ASSEMBLY    |
| 37 | 67657200 | 1  | L.H. FIXED BRACKET                   |
| 37 | 67657100 | 1  | R.H. FIXED BRACKET                   |
| 38 | 67657400 | 4  | SCREW                                |
| 39 | 67657300 | 4  | WASHER                               |
| 40 | 67657000 | 2  | ACTUATOR FIXING KIT                  |
| 41 | 67657600 | 1  | L.H. MOVABLE BRACKET                 |
| 41 | 67657500 | 1  | R.H. MOVABLE BRACKET                 |
| 42 | 67657700 | 2  | NUT                                  |
| 43 | 67657900 | 1  | L.H. FIXED COUNTER BRACKET           |
| 43 | 67657800 | 1  | R.H. FIXED COUNTER BRACKET           |
| 44 | 67658200 | 1  | L.H. MOVABLE COUNTER BRACKET         |
| 44 | 67658100 | 1  | R.H. MOVABLE COUNTER BRACKET         |
| 45 | 67658000 | 2  | PIN                                  |
| 46 | 67657700 | 2  | NUT                                  |
| 47 | 67658400 | 2  | WASHER                               |
| 48 | 10902224 | 8  | SCREW                                |
| 49 | 14742224 | 8  | SCREW                                |
| 50 | 12601274 | 24 | WASHER                               |
| 51 | 12644424 | 24 | WASHER                               |
| 52 | 102741   | 8  | NUT                                  |
| 53 | 14624487 | 4  | PLUG                                 |
| 54 | 67749400 | 1  | LICENCE-PLATE SUPPORT<br>-Optional-  |
| 55 | 14072614 | 3  | SCREW<br>-Optional-                  |

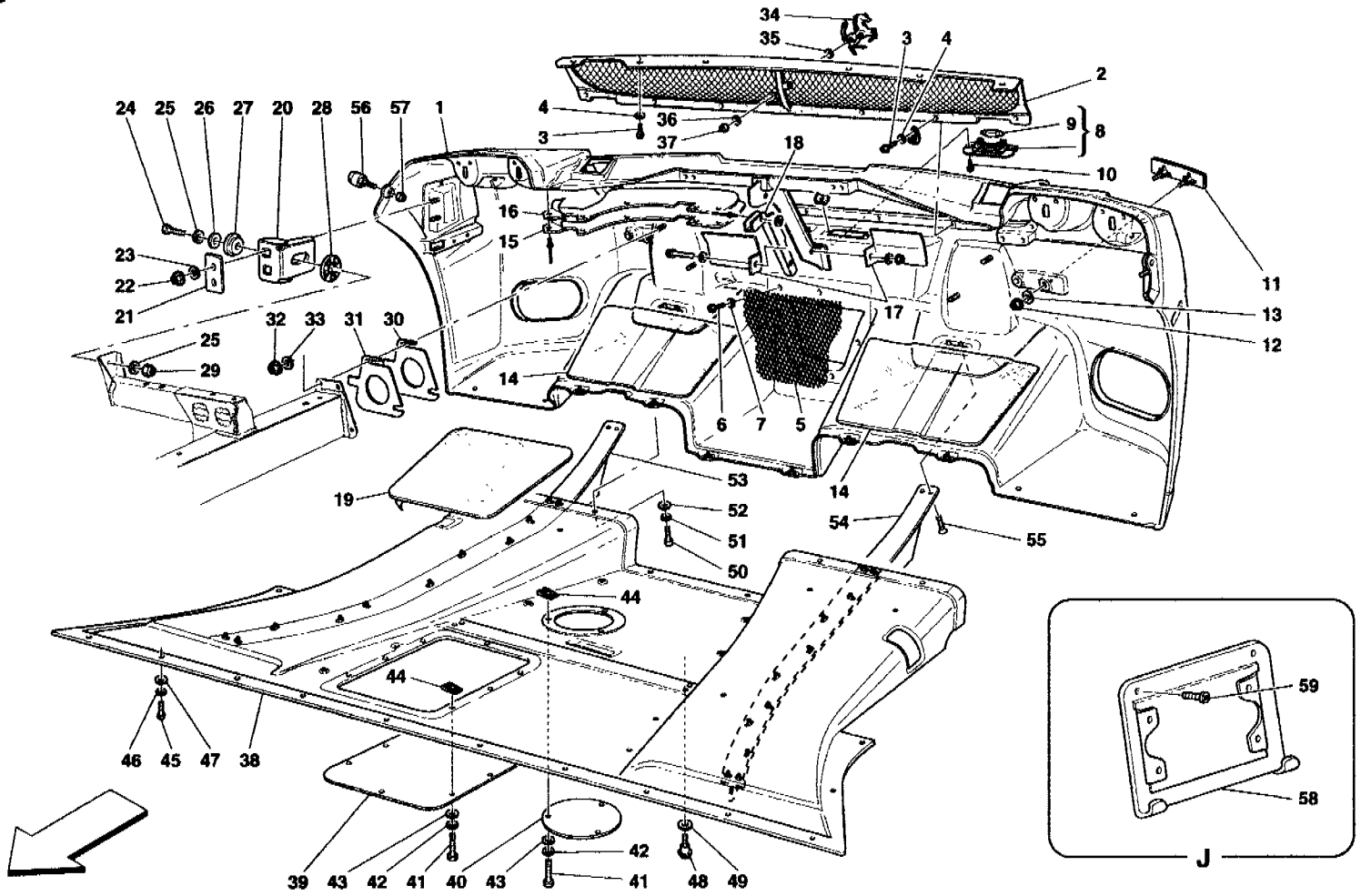
56

67740100

3

THREADED BUSHING  
-Optional-

Enzo Ferrari - 106 - REAR BUMPER AND FLAT FLOOR PAN

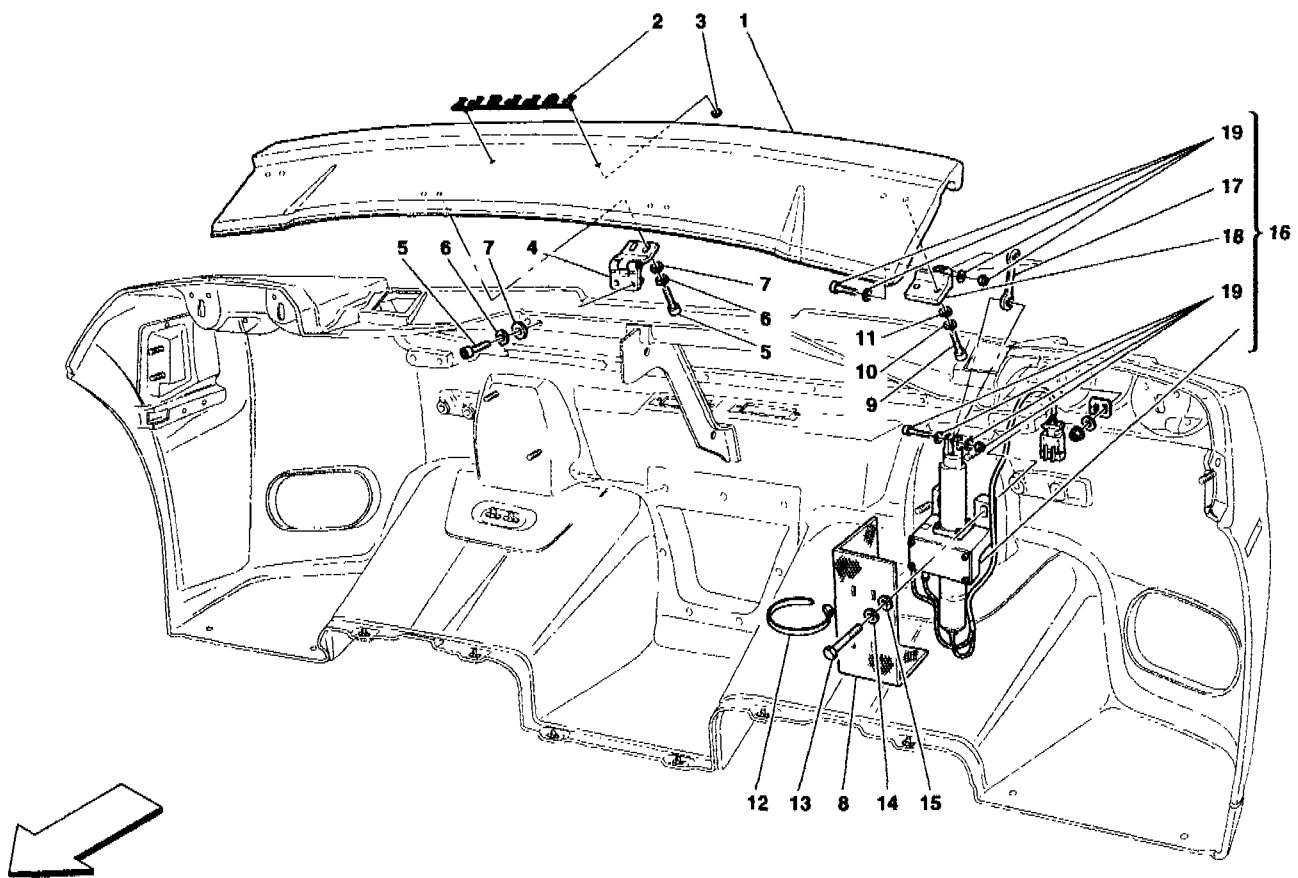


Enzo Ferrari - 106 - REAR BUMPER AND FLAT FLOOR PAN

|    |          |    |  |
|----|----------|----|--|
| 1  | 66530910 | 1  | COMPLETE REAR BUMPER                             |
| 1  | 66955810 | 1  | -Not for USA, CDN and J-<br>COMPLETE REAR BUMPER |
| 1  | 67634910 | 1  | -Valid for USA and CDN-<br>COMPLETE REAR BUMPER  |
| 2  | 66925800 | 1  | -Valid for J-<br>AIR OUTLET GRILLE               |
| 3  | 65366700 | 12 | SCREW  |
|    |          |    | -Not as spare part-                              |
|    |          |    | -Replaced by 169814-                             |
| 3  | 169814   | 12 | SCREW  |
| 3  | 16285127 | 1  | SCREW  |
| 4  | 166467   | 13 | WASHER   |
| 5  | 66927600 | 1  | LOWER CENTER GRILLE                              |
| 6  | 65366700 | 7  | SCREW  |
| 7  | 166467   | 7  | WASHER   |
| 8  | 186180   | 2  | NUMBER PLATE LIGHT                               |
| 9  | 10857790 | 2  | BULB   |
| 10 | 15644175 | 4  | SCREW  |
| 11 | 67362000 | 1  | L.H. REFLECTOR                                   |
| 11 | 67362100 | 1  | R.H. REFLECTOR                                   |
| 12 | 13046011 | 4  | NUT  |
| 13 | 12620374 | 4  | WASHER   |
| 14 | 67380200 | 2  | INSULATION                                       |
| 15 | 67414200 | 2  | BUMPER COVER                                     |
| 16 | 67414100 | 2  | HEAT SHIELD                                      |
| 17 | 67414300 | 1  | NUMBER PLATE LIGHTS SHIELD                       |
| 18 | 67414400 | 1  | CENTRAL SUPPORT SHIELD                           |
| 19 | 67380200 | 2  | INSULATION                                       |
| 20 | 62973000 | 2  | SIDE BRACKET                                     |
| 21 | 62126600 | 2  | PLATE  |
| 22 | 13046314 | 4  | NUT  |
| 23 | 12646824 | 4  | WASHER   |
| 24 | 11307024 | 2  | SCREW  |
| 25 | 12646801 | 4  | WASHER   |
| 26 | 127497   | 2  | WASHER   |
| 27 | 62128200 | 2  | EXTERNAL SMALL BLOCK                             |
| 28 | 62128300 | 2  | INTERNAL SMALL BLOCK                             |
| 29 | 104114   | 2  | NUT  |
| 30 | 67192000 | 8  | THICKNESS  |
| 31 | 67196900 | 1  | THICKNESS  |
| 32 | 13046314 | 4  | NUT  |
| 33 | 12646824 | 4  | WASHER   |
| 34 | 60032109 | 1  | CAVALLINO RAMPANTE                               |
| 35 | 60995100 | 1  | RUBBER RING                                      |
| 36 | 14496101 | 1  | WASHER   |
| 37 | 61002200 | 1  | NUT  |
| 38 | 66531100 | 1  | REAR UNDER THE BODY SHELL<br>SHIELD              |
| 39 | 66570300 | 1  | COVER FOR CHANGE OIL                             |
| 40 | 66570200 | 1  | COVER INSPECTION TRANSMISSION                    |
| 41 | 14742224 | 11 | SCREW  |
| 42 | 12620474 | 11 | WASHER   |
| 43 | 14498804 | 11 | WASHER   |
| 44 | 62766300 | 11 | CLIP   |
| 45 | 10902224 | 22 | SCREW  |
| 46 | 12601174 | 22 | WASHER   |
| 47 | 12638124 | 22 | WASHER   |
| 48 | 66806900 | 4  | SCREW  |
| 49 | 12601474 | 4  | WASHER   |
| 50 | 14304224 | 6  | SCREW  |
| 51 | 12601174 | 6  | WASHER   |
| 52 | 12638124 | 6  | WASHER   |
| 53 | 66569700 | 1  | R.H. VERTICAL FIN                                |
| 54 | 66569600 | 1  | L.H. VERTICAL FIN                                |
| 55 | 14440724 | 26 | SCREW  |
| 56 | 67204600 | 2  | PAD  |
| 57 | 13046124 | 2  | NUT  |

|    |          |   |                  |
|----|----------|---|------------------|
| 58 | 67740200 | 1 | REAR PLATE FRAME |
| 4  |          |   | -Valid for J-    |
| 59 | 14072614 | 4 | SCREW            |
|    |          |   | -Valid for J-    |

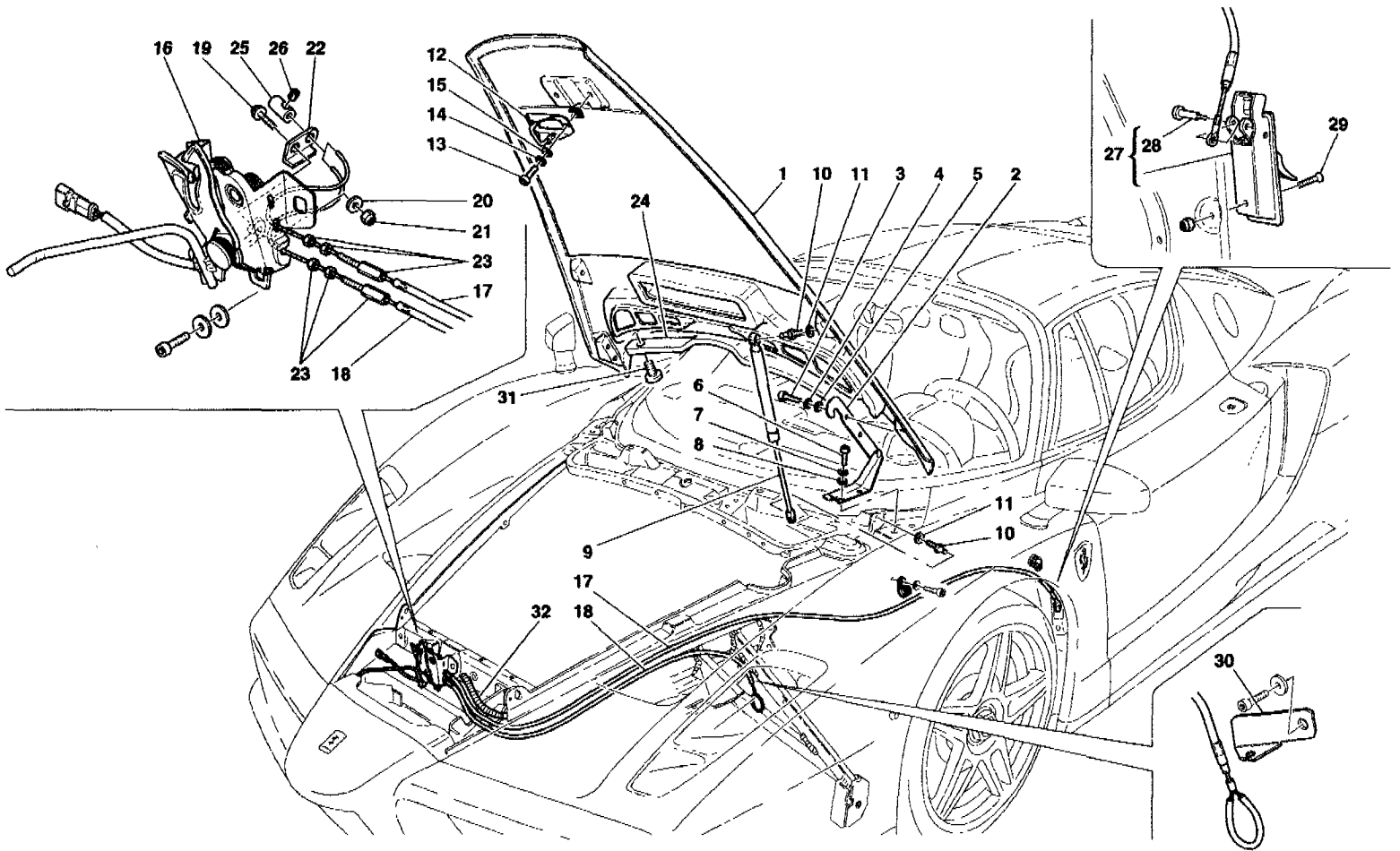
Enzo Ferrari - 107 - REAR MOVABLE STABILIZER



Enzo Ferrari - 107 - REAR MOVABLE STABILIZER

|    |          |   |                                   |
|----|----------|---|-----------------------------------|
| 1  | 66655810 | 1 | REAR MOVABLE STABILIZER           |
| 2  | 61025000 | 1 | "FERRARI" MARK                    |
| 3  | 60324506 | 2 | SAFETY CLIP                       |
| 4  | 66655300 | 2 | HINGE FOR SPOILER                 |
| 5  | 14305224 | 8 | SCREW                             |
| 6  | 12644424 | 8 | WASHER                            |
| 7  | 12601274 | 8 | WASHER                            |
| 8  | 67380300 | 2 | ACTUATOR INSULATION               |
| 9  | 14305224 | 4 | SCREW                             |
| 10 | 12644424 | 4 | WASHER                            |
| 11 | 12601224 | 4 | WASHER                            |
| 12 | 145855   | 4 | CLAMP                             |
| 13 | 14433124 | 4 | SCREW                             |
| 14 | 14498804 | 4 | WASHER                            |
| 15 | 12620474 | 4 | WASHER                            |
| 16 | 66700600 | 1 | L.H. STABILIZER ACTUATOR ASSEMBLY |
| 16 | 66700700 | 1 | R.H. STABILIZER ACTUATOR ASSEMBLY |
| 17 | 67658600 | 2 | SMALL LINK                        |
| 18 | 67658700 | 2 | STABILIZER FIXING BRACKET         |
| 19 | 67658500 | 4 | ACTUATOR FIXING KIT               |

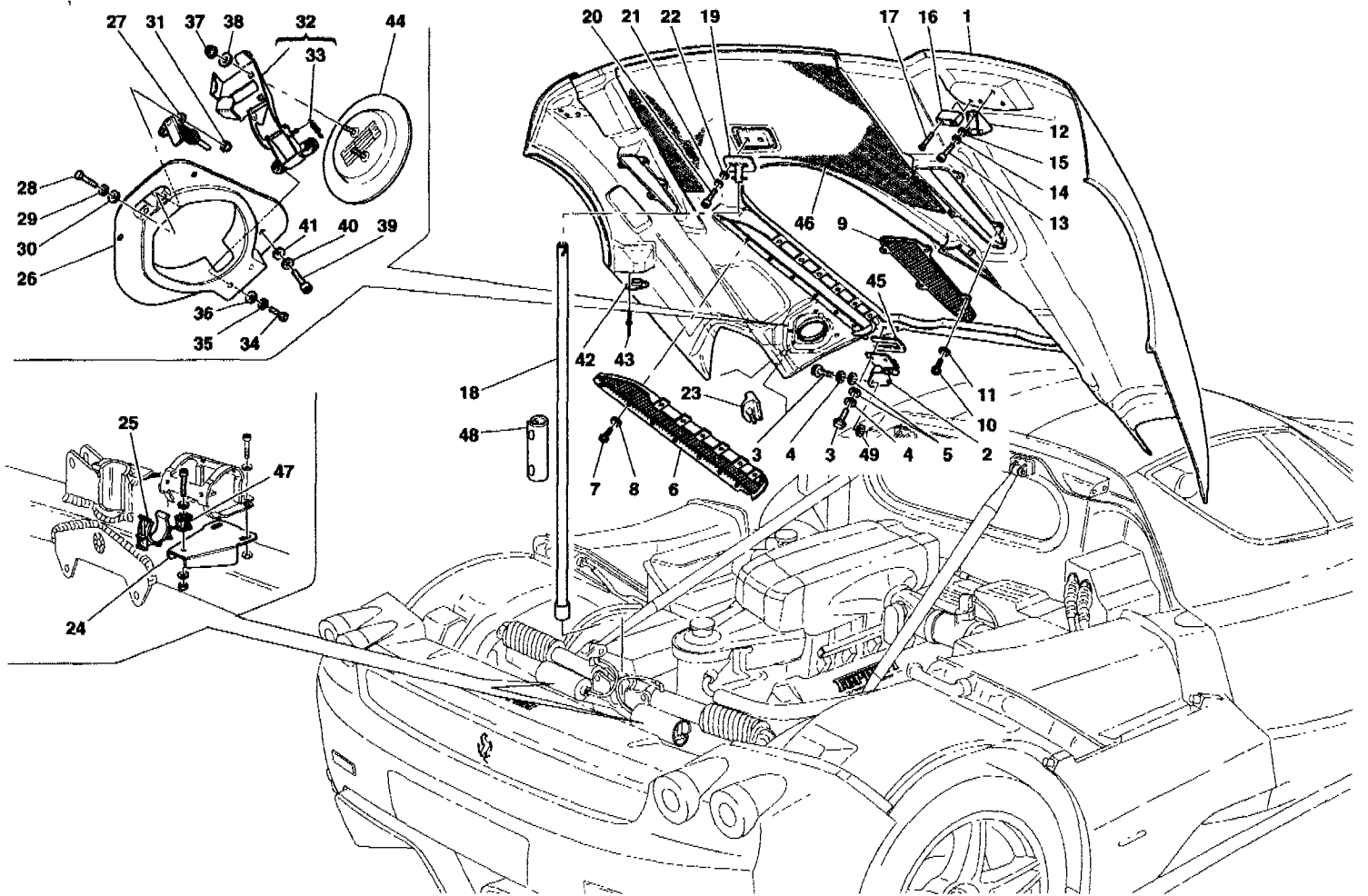
Enzo Ferrari - 108 - FRONT HOOD AND OPENING DEVICE



Enzo Ferrari - 108 - FRONT HOOD AND OPENING DEVICE

|    |          |   |                                       |
|----|----------|---|---------------------------------------|
| 1  | 66486600 | 1 | SHEETED COMPLETE FRONT<br>HOOD BONNET |
| 2  | 66575500 | 1 | COMPLETE L.H. HINGE                   |
| 2  | 66575600 | 1 | COMPLETE R.H. HINGE                   |
| 3  | 14305787 | 4 | SCREW                                 |
| 4  | 12644477 | 4 | WASHER                                |
| 5  | 12620477 | 4 | WASHER                                |
| 6  | 14433124 | 4 | SCREW                                 |
| 7  | 14498804 | 4 | WASHER                                |
| 8  | 12620474 | 4 | WASHER                                |
| 9  | 67251300 | 2 | GAS SPRING                            |
| 10 | 67251200 | 4 | PIN                                   |
| 11 | 12601377 | 4 | WASHER                                |
| 12 | 66574400 | 1 | HOOD CLOSING STRIKER                  |
| 13 | 14305787 | 2 | SCREW                                 |
| 14 | 12644477 | 2 | WASHER                                |
| 15 | 12620477 | 2 | WASHER                                |
| 16 | 66575000 | 1 | BONNET LOCK                           |
| 17 | 66575200 | 1 | CABLE FOR FRONT HOOD<br>OPENING       |
| 18 | 67369100 | 1 | HOOD SAFETY CABLE                     |
| 19 | 65366700 | 1 | SCREW                                 |
| 20 | 12637878 | 1 | WASHER                                |
| 21 | 62790300 | 1 | NUT                                   |
| 22 | 67427000 | 1 | BRACKET                               |
| 23 | 67502400 | 2 | COMPLETE REGULATOR                    |
| 24 | 67596200 | 1 | GASKET                                |
| 25 | 60276607 | 1 | CONNECTION                            |
| 26 | 60276805 | 1 | DOWEL                                 |
| 27 | 67016800 | 1 | HANDLE FOR BONNET<br>OPENING          |
| 28 | 62552200 | 1 | PIN                                   |
| 29 | 13299477 | 1 | SCREW                                 |
| 30 | 65506500 | 1 | BRACKET FOR CABLE FIXING              |
| 31 | 14592587 | 6 | FIXING BUTTON                         |
| 32 | 67632600 | 1 | CORRUGATED HOSE                       |

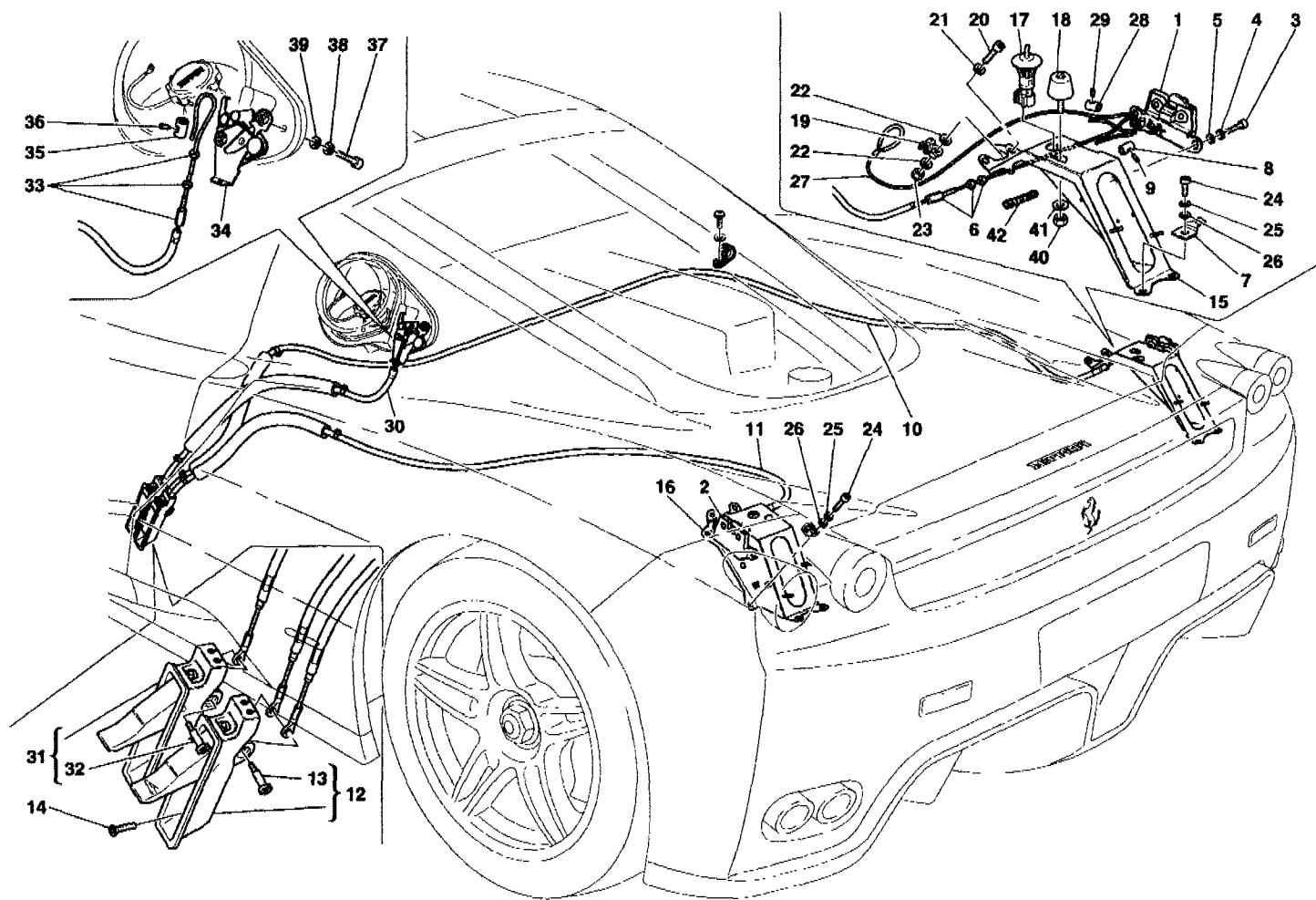
Enzo Ferrari - 109 - ENGINE BONNET AND GAS DOOR



Enzo Ferrari - 109 - ENGINE BONNET AND GAS DOOR

|    |          |    |  |
|----|----------|----|--|
| ↑  | 66571000 | 1  | CPL. REAR HOOD BONNET  |
| 2  | 66572100 | 1  | CPL. L.H. ENGINE HOOD BONNET HINGES                                  |
| 2  | 66572200 | 1  | CPL. R.H. ENGINE HOOD BONNET HINGES                                  |
| 3  | 67253900 | 8  | SCREW  |
| 4  | 12638578 | 8  | WASHER   |
| 5  | 12601377 | 8  | WASHER   |
| 6  | 66925300 | 1  | L.H. REAR GRILL  |
| 6  | 66925200 | 1  | R.H. REAR GRILL  |
| 7  | 65366700 | 26 | SCREW  |
| 8  | 166467   | 26 | WASHER   |
| 9  | 66571700 | 1  | R.H. AIR OUTLET GRILL  |
| 9  | 66571600 | 1  | R.H. AIR OUTLET GRILL  |
| 10 | 65366700 | 8  | SCREW  |
| 11 | 166467   | 8  | WASHER   |
| 12 | 66847700 | 2  | HOOD CLOSING STRIKER   |
| 13 | 14305726 | 4  | SCREW  |
| 14 | 12601274 | 4  | WASHER   |
| 15 | 10519478 | 4  | WASHER   |
| 16 | 67256900 | 2  | HOOD BONNET SWITCH THICKNESS   |
| 17 | 14440927 | 4  | SCREW  |
| 18 | 67379300 | 1  | HOOD SUPPORT ROD   |
| 19 | 67379400 | 1  | CENTERING ROD  |
| 20 | 14305721 | 2  | SCREW  |
| 21 | 12601279 | 2  | WASHER   |
| 22 | 13579224 | 2  | WASHER   |
| 23 | 63879900 | 2  | RUBBER PAD   |
| 24 | 67379500 | 2  | ROD SUPPORTING BRACKET   |
| 25 | 171358   | 2  | FIXING CLIP  |
| 26 | 66761100 | 1  | FUEL INLET LID FLANGE  |
| 27 | 66848000 | 1  | STRIKER  |
| 28 | 10444887 | 2  | SCREW  |
| 29 | 12601077 | 2  | WASHER   |
| 30 | 12647878 | 2  | WASHER   |
| 31 | 62790300 | 2  | NUT  |
| 32 | 66577600 | 1  | HINGE FOR GAS UNION<br>DOOR  |
| 33 | 66578100 | 1  | SPRING   |
| 34 | 10977624 | 2  | SCREW  |
| 35 | 14447024 | 2  | WASHER   |
| 36 | 12620374 | 2  | WASHER   |
| 37 | 13046114 | 2  | NUT  |
| 38 | 12643778 | 2  | WASHER   |
| 39 | 14304187 | 4  | SCREW  |
| 40 | 12638177 | 4  | WASHER   |
| 41 | 12620377 | 4  | WASHER   |
| 42 | 62505200 | 4  | BUSHING FOR PIN<br>-Not as spare part now-<br>-Replaced by 67910800- |
| 42 | 67910800 | 4  | BUSHING FOR PIN  |
| 43 | 60739400 | 8  | RIVET  |
| 44 | 66847900 | 1  | FUEL INLET LID   |
| 45 | 66572300 | 4  | ADJUSTING PLATE  |
| 46 | 67375000 | 1  | INSULATION FOR ENGINE<br>HOOD BONNET                                 |
| 47 | 140162   | 2  | ANCHORAGE FOR CLIP   |
| 48 | 67639300 | 1  | ROD KNOB   |
| 49 | 67503600 | 4  | SPACER<br>-Not as spare part-  |

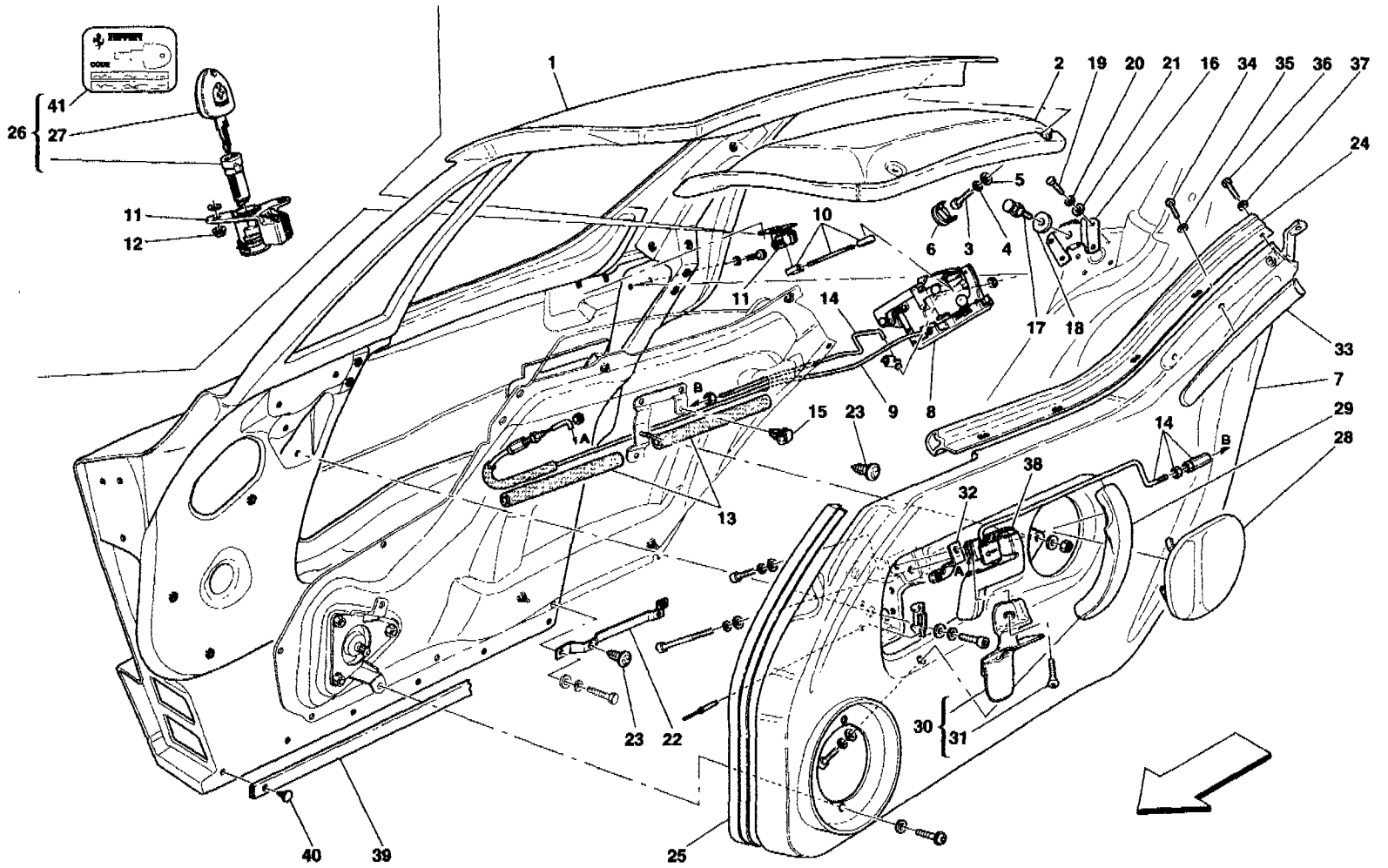
Enzo Ferrari - 110 - OPENING DEVICES FOR ENGINE BONNET AND GAS DOOR



Enzo Ferrari - 110 - OPENING DEVICES FOR ENGINE BONNET AND GAS DOOR

|    |          |    |  |
|----|----------|----|--|
| 1  | 66573700 | 1  | R.H. ENGINE BONNET LOCK                |
| 2  | 66573900 | 1  | L.H. ENGINE BONNET LOCK                |
| 3  | 14433126 | 4  | SCREW                                  |
| 4  | 14498804 | 4  | WASHER                                 |
| 5  | 12620477 | 4  | WASHER                                 |
| 6  | 67502400 | 2  | COMPLETE REGULATOR                     |
| 7  | 170925   | 1  | BRACKET                                |
| 8  | 60276607 | 1  | CONNECTION                             |
| 9  | 60276805 | 1  | DOWEL                                  |
| 10 | 66573100 | 1  | R.H. CABLE FOR MOTOR BONNET<br>OPENING |
| 11 | 67369200 | 1  | L.H. CABLE FOR MOTOR BONNET<br>OPENING |
| 12 | 66572700 | 1  | HANDLE FOR MOTOR BONNET<br>OPENING     |
| 13 | 62552200 | 1  | PIN                                    |
| 14 | 13299477 | 2  | SCREW                                  |
| 15 | 66625200 | 1  | R.H. SUPPORT BRACKET                   |
| 16 | 66625300 | 1  | L.H. SUPPORT BRACKET                   |
| 17 | 179697   | 2  | SWITCH                                 |
| 18 | 64577100 | 2  | ANTIVIBRATION PAD                      |
| 19 | 65897700 | 2  | CLIP                                   |
| 20 | 14305587 | 2  | SCREW                                  |
| 21 | 12646624 | 2  | WASHER                                 |
| 22 | 12643778 | 4  | WASHER                                 |
| 23 | 102741   | 2  | NUT                                    |
| 24 | 14305287 | 10 | SCREW                                  |
| 25 | 12644477 | 10 | WASHER                                 |
| 26 | 12620477 | 10 | WASHER                                 |
| 27 | 66573400 | 2  | HOOD SAFETY CABLE                      |
| 28 | 60276607 | 1  | CONNECTION                             |
| 29 | 60276805 | 1  | DOWEL                                  |
| 30 | 66578200 | 1  | CABLE FOR FUEL INLET LID               |
| 31 | 67016800 | 1  | HANDLE FOR FUEL INLET LID              |
| 32 | 62552200 | 1  | PIN                                    |
| 33 | 67502400 | 1  | COMPLETE REGULATOR                     |
| 34 | 66956600 | 1  | ROCKER                                 |
| 35 | 60276607 | 1  | CONNECTION                             |
| 36 | 60276805 | 1  | DOWEL                                  |
| 37 | 10902224 | 2  | SCREW                                  |
| 38 | 14498804 | 2  | WASHER                                 |
| 39 | 12620474 | 2  | WASHER                                 |
| 40 | 15896377 | 2  | NUT                                    |
| 41 | 14496678 | 2  | WASHER                                 |
| 42 | 63895000 | 3  | RUBBER BOOT                            |

Enzo Ferrari - 111 - DOORS - OPENING CONTROL, FRAMEWORK AND COVERINGS



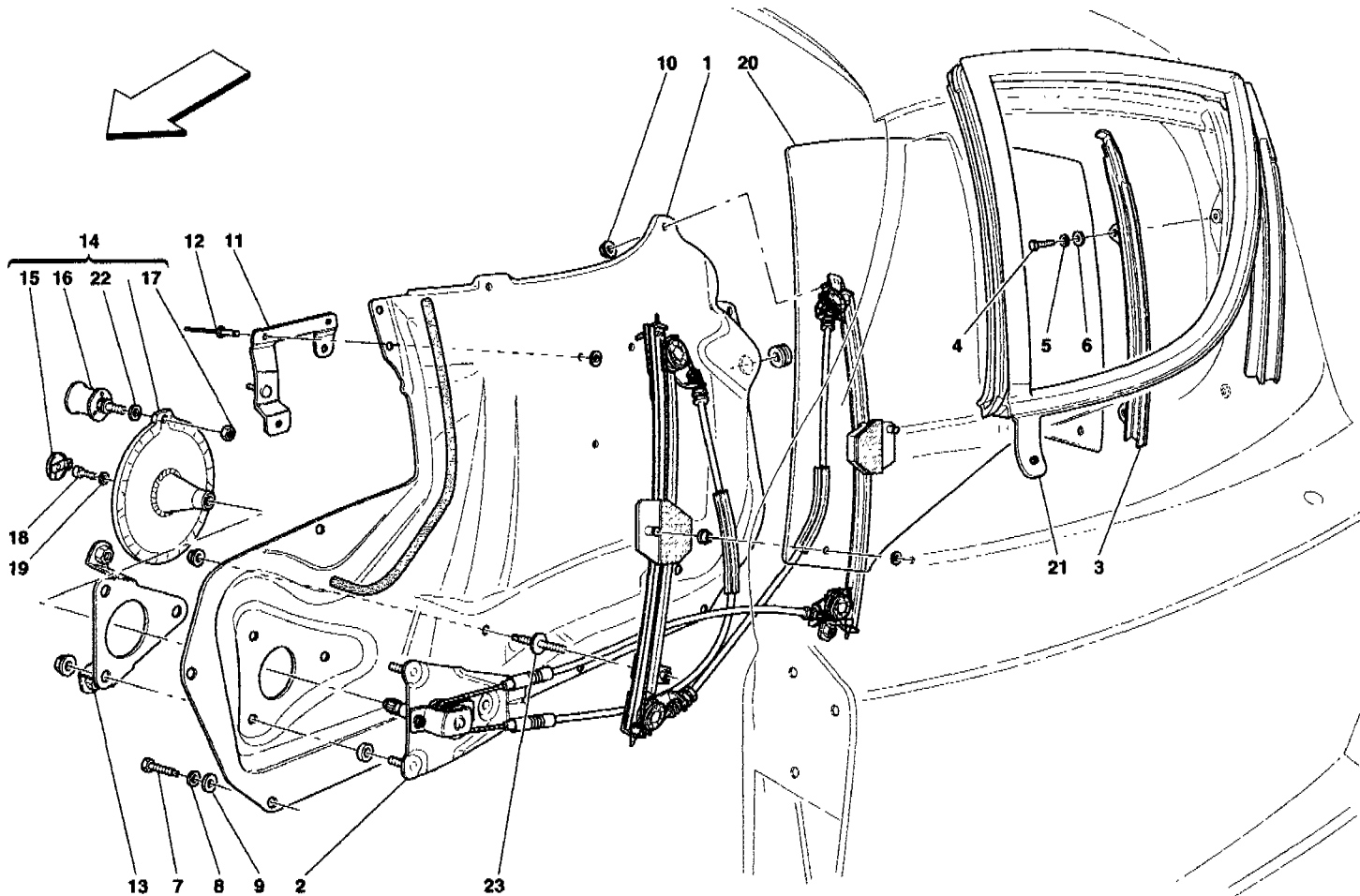
Enzo Ferrari - 111 - DOORS - OPENING CONTROL, FRAMEWORK AND COVERINGS

|    |          |    |  |
|----|----------|----|--|
| 1  | 66563800 | 1  | R.H. DOOR FRAME                                      |
| 1  | 66563700 | 1  | L.H. DOOR FRAME                                      |
| 2  | 66564500 | 1  | COVERED UPPER PANEL FOR<br>R.H. DOOR                 |
| 2  | 66765900 | 1  | LINING   |
| 2  | 66564400 | 1  | COVERED UPPER PANEL FOR<br>L.H. DOOR                 |
| 2  | 66766200 | 1  | LINING   |
| 3  | 14305224 | 8  | SCREW  |
| 4  | 12644424 | 8  | WASHER   |
| 5  | 12601274 | 8  | WASHER   |
| 6  | 67057000 | 4  | COVER PLUG   |
| 7  | 66807000 | 1  | COVERED LOWER PANEL FOR<br>R.H. DOOR                 |
| 7  | 66807100 | 1  | COVERED LOWER PANEL FOR<br>L.H. DOOR                 |
| 8  | 66565800 | 1  | R.H. DOOR LOCK                                       |
| 8  | 66565700 | 1  | L.H. DOOR LOCK                                       |
| 9  | 66565900 | 2  | DOOR OPENING INNER CABLE                             |
| 10 | 66566100 | 1  | R.H. OUTER SAFETY TIE ROD                            |
| 10 | 66566000 | 1  | L.H. OUTER SAFETY TIE ROD                            |
| 11 | 66566300 | 1  | R.H. DOOR LOCK BLOCK                                 |
| 11 | 66566400 | 1  | L.H. DOOR LOCK BLOCK                                 |
| 12 | 13046011 | 4  | NUT  |
| 13 | 67255100 | 2  | PROTECTION   |
| 14 | 66566200 | 2  | R.H. INNER SAFETY CABLE                              |
| 15 | 14573280 | 2  | FLEXIBLE CLIP  |
| 16 | 66754100 | 2  | STRIKER SUPPORT                                      |
| 17 | 65305800 | 2  | STRIKER  |
| 18 | 67206700 | 2  | SPECIAL WASHER                                       |
| 19 | 10902224 | 8  | SCREW  |
| 20 | 12601274 | 8  | WASHER   |
| 21 | 12644424 | 8  | WASHER   |
| 22 | 66805500 | 1  | LOWER BRACKET  |
| 23 | 66092400 | 7  | PLUG   |
| 24 | 66538800 | 1  | R.H. GASKET INNER GLASS<br>SCRAPER                   |
| 24 | 66766600 | 1  | L.H. GASKET INNER GLASS<br>SCRAPER                   |
| 25 | 67417200 | 1  | R.H. DOOR PANEL GASKET                               |
| 25 | 67421300 | 1  | L.H. DOOR PANEL GASKET                               |
| 26 | 70000972 | 1  | LOCKS SET COMPLETED<br>WITH STEERING<br>LOCK AND KEY |
| 27 | 198026   | -  | BLANK KEY  |
| 28 | 665650.. | 1  | R.H. ARMREST PANEL                                   |
| 28 | 667995.. | 1  | LINING   |
| 28 | 665649.. | 1  | L.H. ARMREST PANEL                                   |
| 28 | 667996.. | 1  | LINING   |
| 29 | 665654.. | 1  | R.H. HANDLE KNOB                                     |
| 29 | 667989.. | 1  | LINING   |
| 29 | 665653.. | 1  | L.H. HANDLE KNOB                                     |
| 29 | 667990.. | 1  | LINING   |
| 30 | 66807400 | 1  | R.H. HANDLE PLATE                                    |
| 30 | 66807500 | 1  | L.H. HANDLE PLATE                                    |
| 31 | 14440320 | 2  | SCREW  |
| 32 | 66805800 | 1  | R.H. BRACKET   |
| 32 | 66808000 | 1  | L.H. BRACKET   |
| 33 | 668453.. | 1  | R.H. HEAD SHIELD                                     |
| 33 | 66845500 | 1  | LINING   |
| 33 | 668454.. | 1  | L.H. HEAD SHIELD                                     |
| 33 | 66845600 | 1  | LINING   |
| 34 | 65408900 | 6  | SCREW  |
| 35 | 12620374 | 6  | WASHER   |
| 36 | 13272011 | 10 | SCREW  |
| 37 | 12642824 | 10 | WASHER   |
| 38 | 66565200 | 1  | COMPLETE R.H. INNER HANDLE<br>FOR DOOR OPENING       |

|    |          |    |  |
|----|----------|----|--|
| 38 | 66565100 | 1  | COMPLETE L.H. INNER HANDLE<br>FOR DOOR OPENING |
| 39 | 67363100 | 1  | R.H. DUST PROTECTION GASKET                    |
| 39 | 67363200 | 1  | L.H. DUST PROTECTION GASKET                    |
| 40 | 178949   | 12 | BUTTON   |
| 41 | 153603   | 1  | CODE CARD                                      |

For particular colour matchings, make order by Fax or E-mail, specifying serial number. - See "INNER TRIMS CAR CODES" table for codes of parts covered in leather or moquette.

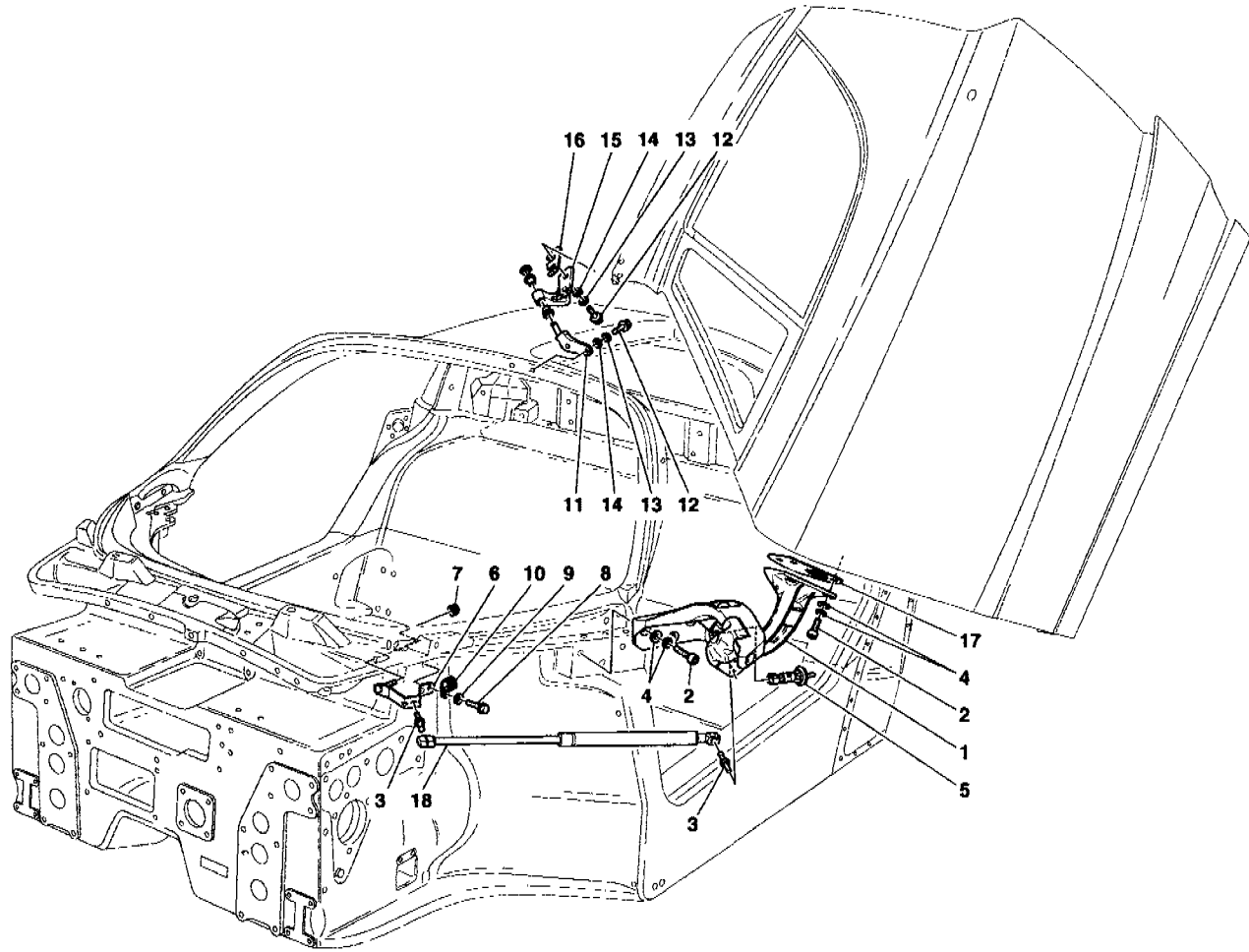
Enzo Ferrari - 112 - DOORS - POWER WINDOW



Enzo Ferrari - 112 - DOORS - POWER WINDOW

|    |          |   |                            |
|----|----------|---|----------------------------|
| 1  | 66539100 | 1 | R.H. CARRIER DOOR          |
| 1  | 66536300 | 1 | L.H. CARRIER DOOR          |
| 2  | 66567400 | 1 | R.H. DEVICE FOR GLASS LIFT |
| 2  | 66561500 | 1 | L.H. DEVICE FOR GLASS LIFT |
| 3  | 66561400 | 1 | R.H. REAR GUIDE            |
| 3  | 66560500 | 1 | L.H. REAR GUIDE            |
| 4  | 10902224 | 4 | SCREW                      |
| 5  | 12644424 | 4 | WASHER                     |
| 6  | 12601274 | 4 | WASHER                     |
| 7  | 14305220 | 4 | SCREW                      |
| 8  | 14498804 | 4 | WASHER                     |
| 9  | 12620474 | 4 | WASHER                     |
| 10 | 12578211 | 2 | NUT                        |
| 11 | 66805600 | 1 | R.H. REAR BRACKET          |
| 11 | 66571800 | 1 | L.H. REAR BRACKET          |
| 12 | 67503500 | 6 | RIVET                      |
| 13 | 66805700 | 2 | FRONT BRACKET              |
| 14 | 67384600 | 2 | GLASS LIF THANDLE          |
| 14 | 67384900 | 1 | LINING                     |
| 15 | 67057000 | 2 | PLUG                       |
| 16 | 67552200 | 2 | COMPLETE KNOB              |
| 17 | 10725914 | 2 | NUT                        |
| 18 | 14304324 | 2 | SCREW                      |
| 19 | 12620374 | 2 | WASHER                     |
| 20 | 66563100 | 1 | R.H. DOOR GLASS            |
| 20 | 66563000 | 1 | L.H. DOOR GLASS            |
| 21 | 66538900 | 1 | L.H. GLASS GASKET          |
| 21 | 66561300 | 1 | R.H. GLASS GASKET          |
| 22 | 14499324 | 2 | WASHER                     |
| 23 | 64854600 | 2 | ADJUSTMENT PIN             |

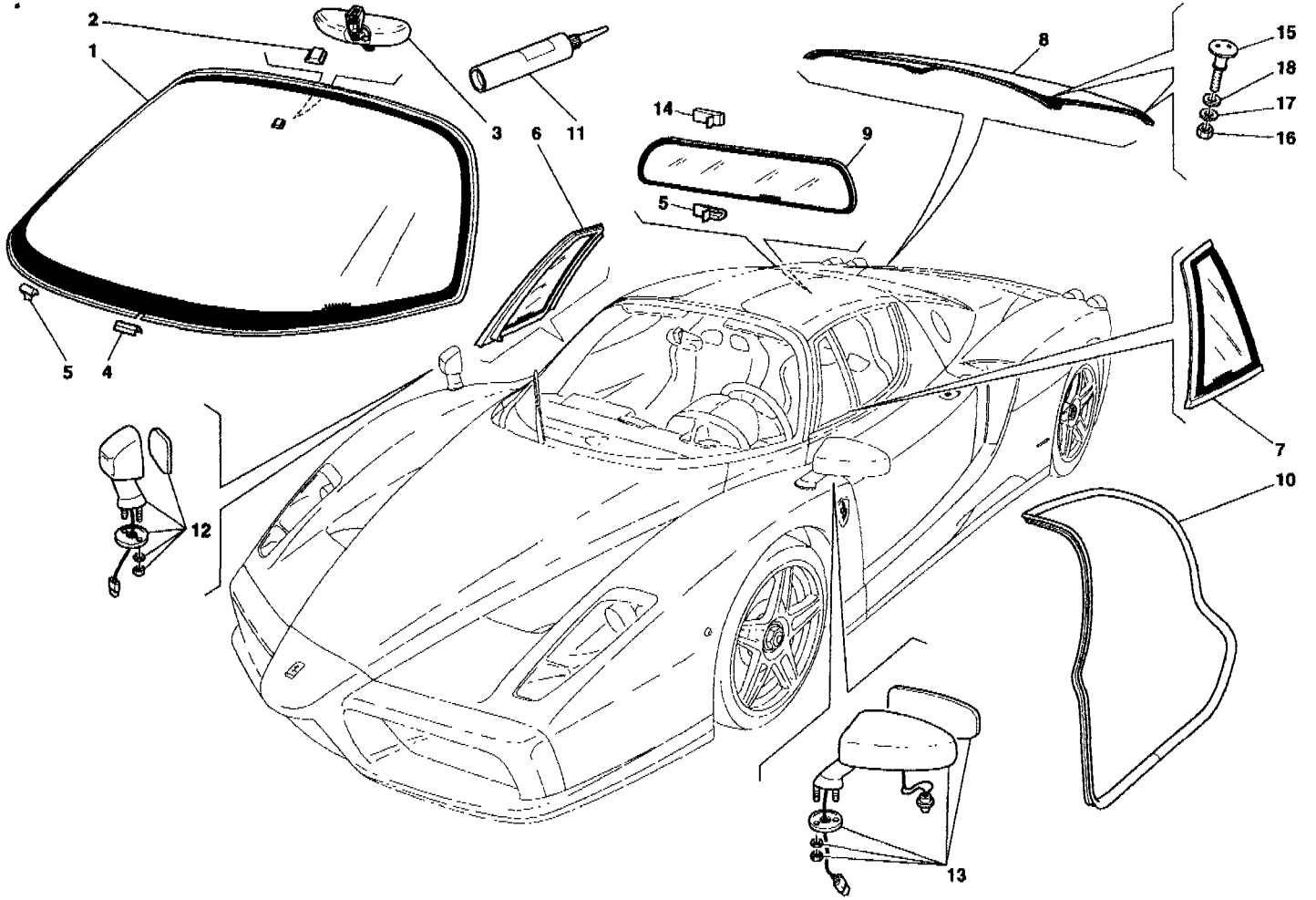
Enzo Ferrari - 113 - DOORS - HINGE AND OPEN CONTROL



Enzo Ferrari - 113 - DOORS - HINGE AND OPEN CONTROL

|    |          |    |                           |
|----|----------|----|---------------------------|
| 1  | 66926900 | 1  | L.H. COMPLETE LOWER HINGE |
| 1  | 66926800 | 1  | R.H. COMPLETE LOWER HINGE |
| 2  | 14307624 | 6  | SCREW                     |
| 3  | 65939900 | 4  | PIN                       |
| 4  | 14496624 | 12 | WASHER                    |
| 5  | 179697   | 2  | ROOF LIGHT SWITCH         |
| 6  | 66653800 | 1  | L.H. BRACKET FOR STABILUS |
| 6  | 66653700 | 1  | R.H. BRACKET FOR STABILUS |
| 7  | 159601   | 2  | NUT                       |
| 8  | 14305221 | 2  | SCREW                     |
| 9  | 14498801 | 2  | WASHER                    |
| 10 | 10441290 | 2  | BRACKET WITH SHEATH       |
| 11 | 66537200 | 1  | L.H. FIXED HINGE          |
| 11 | 66539600 | 1  | R.H. FIXED HINGE          |
| 12 | 67254100 | 8  | SCREW                     |
| 13 | 12620477 | 8  | WASHER                    |
| 14 | 10519478 | 8  | WASHER                    |
| 15 | 66537300 | 1  | L.H. MOBILE HINGE         |
|    |          |    | -Not as spare part-       |
|    |          |    | -Replaced by 68133400-    |
| 15 | 68133400 | 1  | L.H. MOBILE HINGE         |
| 15 | 66539700 | 1  | R.H. MOBILE HINGE         |
|    |          |    | -Not as spare part-       |
|    |          |    | -Replaced by 68254200-    |
| 15 | 68254200 | 1  | R.H. MOBILE HINGE         |
| 16 | 66560200 | 2  | THICKNESS                 |
| 17 | 66560100 | 2  | THICKNESS                 |
| 18 | 67500300 | 2  | GAS SPRING                |

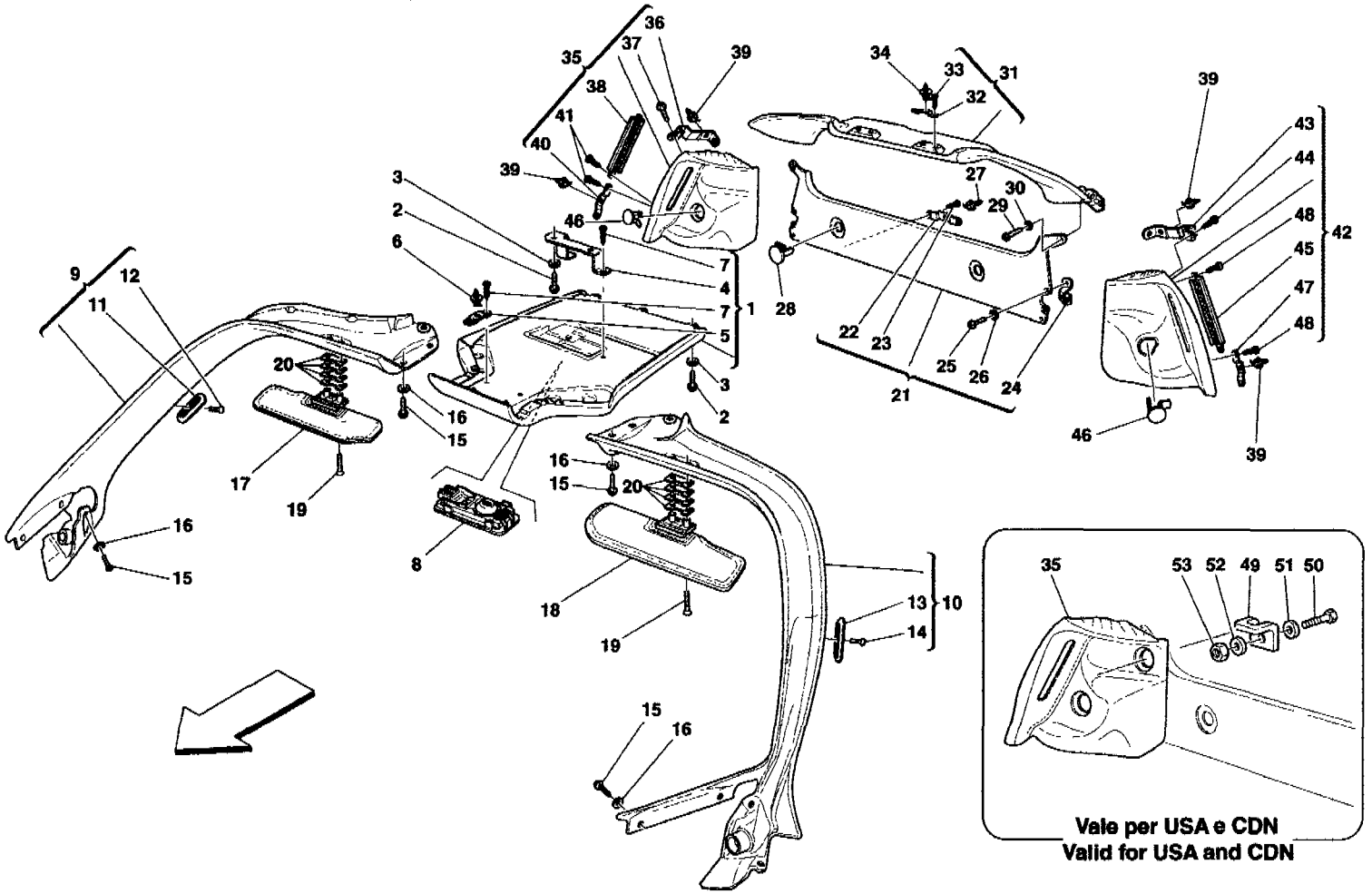
Enzo Ferrari - 114 - GLASSES, GASKETS AND REAR VIEW MIRRORS



Enzo Ferrari - 114 - GLASSES, GASKETS AND REAR VIEW MIRRORS

|    |          |    |  |
|----|----------|----|--|
| 1  | 66569800 | 1  | COMPLETE WINDSCREEN GLASS  |
| 2  | 65695500 | 1  | BAR  |
| 3  | 67118600 | 1  | INNER REAR VIEW MIRROR   |
| 4  | 65625100 | 1  | JOINT COVERING   |
| 5  | 63023300 | 8  | SPACER   |
| 6  | 66563600 | 1  | R.H. WIND WING   |
| 7  | 66563500 | 1  | L.H. WIND WING   |
| 8  | 66572400 | 1  | ENGINE HOOD WINDOW   |
| 9  | 67404400 | 1  | REAR-WINDOW GLASS  |
| 10 | 66538100 | 1  | GASKET FOR L.H. DOOR<br>OPENING  |
| 10 | 66766700 | 1  | GASKET FOR R.H. DOOR<br>OPENING  |
| 11 | 66091400 | -  | SEALING  |
| 12 | 66581169 | 1  | R.H. OUTER REAR VIEW<br>MIRROR<br>-Rosso Corsa Red-<br>-Not for USA and CDN-   |
| 12 | 66581170 | 1  | R.H. OUTER REAR VIEW<br>MIRROR<br>-Modena yellow-<br>-Not for USA and CDN-     |
| 12 | 66581171 | 1  | R.H. OUTER REAR VIEW<br>MIRROR<br>-Black-<br>-Not for USA and CDN-             |
| 12 | 67506669 | 1  | R.H. OUTER REAR VIEW<br>MIRROR<br>-Rosso Corsa Red-<br>-Valid for USA and CDN- |
| 12 | 67506670 | 1  | R.H. OUTER REAR VIEW<br>MIRROR<br>-Modena yellow-<br>-Valid for USA and CDN-   |
| 12 | 67506671 | 1  | R.H. OUTER REAR VIEW<br>MIRROR<br>-Black-<br>-Valid for USA and CDN-           |
| 13 | 66581069 | 1  | L.H. OUTER REAR VIEW<br>MIRROR<br>-Rosso Corsa Red-<br>-Not for USA and CDN-   |
| 13 | 66581070 | 1  | L.H. OUTER REAR VIEW<br>MIRROR<br>-Modena yellow-<br>-Not for USA and CDN-     |
| 13 | 66581071 | 1  | L.H. OUTER REAR VIEW<br>MIRROR<br>-Black-<br>-Not for USA and CDN-             |
| 13 | 67506569 | 1  | L.H. OUTER REAR VIEW<br>MIRROR<br>-Rosso Corsa Red-<br>-Valid for USA and CDN- |
| 13 | 67506570 | 1  | L.H. OUTER REAR VIEW<br>MIRROR<br>-Modena yellow-<br>-Valid for USA and CDN-   |
| 13 | 67506571 | 1  | L.H. OUTER REAR VIEW<br>MIRROR<br>-Black-<br>-Valid for USA and CDN-           |
| 14 | 65808700 | 20 | SPACER   |
| 15 | 67508500 | 4  | SCREW  |
| 16 | 15896214 | 4  | NUT  |
| 17 | 14498804 | 4  | WASHER   |
| 18 | 12604274 | 4  | WASHER   |

Enzo Ferrari - 115 - ROOF PANEL UPHOLSTERY AND ACCESSORIES



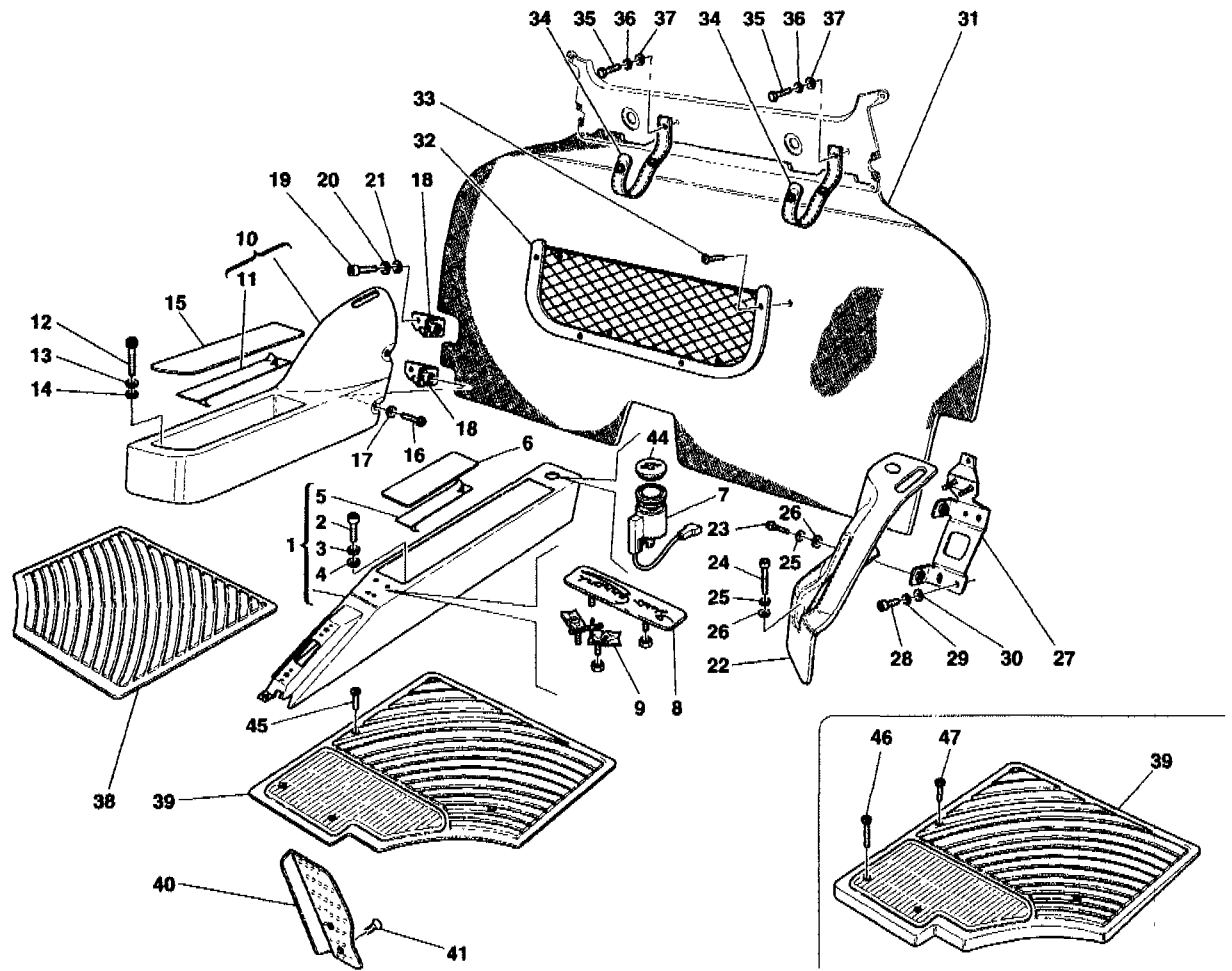
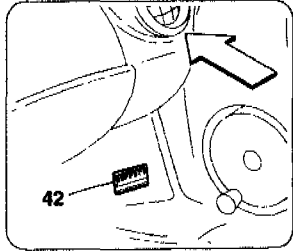
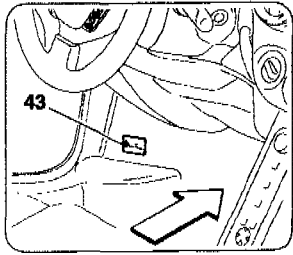
Vale per USA e CDN  
Valid for USA and CDN

Enzo Ferrari - 115 - ROOF PANEL UPHOLSTERY AND ACCESSORIES

|    |          |   |   |
|----|----------|---|---|
| 1  | 66757900 | 1 | UPHOLSTERY                              |
| 1  | 66759900 | 1 | LINING                                  |
| 2  | 65377400 | 5 | SCREW                                   |
| 3  | 12643778 | 5 | WASHER                                  |
| 4  | 67291900 | 1 | BRACKET                                 |
| 5  | 66092200 | 2 | PLATE                                   |
| 6  | 66092400 | 2 | PLUG                                    |
| 7  | 16082977 | 6 | SCREW                                   |
| 8  | 184098   | 1 | DOME LAMP                               |
| 9  | 66757500 | 1 | R.H. MOLDING                            |
| 9  | 66758700 | 1 | LINING                                  |
| 10 | 66757600 | 1 | L.H. MOLDING                            |
| 10 | 66758800 | 1 | LINING                                  |
| 11 | 66759100 | 1 | R.H. PLATE                              |
| 12 | 15914707 | 1 | SCREW                                   |
| 13 | 66759200 | 1 | L.H. PLATE                              |
| 14 | 15914707 | 1 | SCREW                                   |
| 15 | 64830600 | 8 | SCREW                                   |
| 16 | 12643778 | 8 | WASHER                                  |
| 17 | 66758100 | 1 | R.H. SUN SCREEN                         |
| 18 | 66758200 | 1 | L.H. SUN SCREEN                         |
| 19 | 10385477 | 4 | SCREW                                   |
| 20 | 67366200 | 8 | THICKNESS                               |
| 21 | 66792100 | 1 | REAR LOWER SEAT BACK COVER              |
| 21 | 66793000 | 1 | LINING                                  |
| 22 | 66092200 | 2 | PLATE                                   |
| 23 | 16082977 | 4 | SCREW                                   |
| 24 | 66926000 | 1 | L.H. BRACKET                            |
| 24 | 66925900 | 1 | R.H. BRACKET                            |
| 25 | 10856826 | 4 | SCREW                                   |
| 26 | 67555500 | 4 | WASHER                                  |
| 27 | 66092400 | 2 | PLUG                                    |
| 28 | 67207200 | 2 | COVER PLUG                              |
|    |          |   | -Not for 4 points safety belts version- |
| 28 | 66952100 | 1 | LINING                                  |
| 29 | 64830600 | 4 | SCREW                                   |
| 30 | 12643778 | 4 | WASHER                                  |
| 31 | 66764200 | 1 | REAR UPPER CROSS ARM MOLDING            |
| 31 | 66764400 | 1 | LINING                                  |
| 32 | 66092200 | 3 | PLATE                                   |
| 33 | 16082977 | 6 | SCREW                                   |
| 34 | 66092400 | 3 | PLUG                                    |
| 35 | 66792200 | 1 | R.H. REAR MOLDING                       |
|    |          |   | -Not for USA and CDN-                   |
| 35 | 67089000 | 1 | R.H. REAR MOLDING                       |
|    |          |   | -Valid for USA and CDN-                 |
| 35 | 66792400 | 1 | LINING                                  |
|    |          |   | -Not for USA and CDN-                   |
| 35 | 67089100 | 1 | LINING                                  |
|    |          |   | -Valid for USA and CDN-                 |
| 36 | 66928000 | 1 | R.H. BRACKET                            |
| 37 | 16082777 | 2 | SCREW                                   |
| 38 | 67596300 | 2 | COMPLETE BRUSH                          |
| 39 | 66092400 | 4 | PLUG                                    |
| 40 | 66092200 | 2 | PLATE                                   |
| 41 | 15689675 | 6 | SCREW                                   |
| 42 | 66792300 | 1 | L.H. REAR MOLDING                       |
| 42 | 66792500 | 1 | LINING                                  |
| 43 | 66928100 | 1 | L.H. BRACKET                            |
| 44 | 16082777 | 2 | SCREW                                   |
| 45 | 67596300 | 2 | COMPLETE BRUSH                          |
| 46 | 66952000 | 2 | COVER PLUG                              |
|    |          |   | -Not for 4 points safety belts version- |
| 46 | 66952100 | 2 | LINING                                  |
| 47 | 66092200 | 2 | PLATE                                   |
| 48 | 15689675 | 6 | SCREW                                   |
| 49 | 66959500 | 1 | BRACKET FOR BELT COUPLER                |
|    |          |   | -Valid for USA and CDN-                 |

|    |          |   |                                   |
|----|----------|---|-----------------------------------|
| 50 | 67599700 | 1 | SCREW<br>-Valid for USA and CDN-  |
| 51 | 140603   | 1 | WASHER<br>-Valid for USA and CDN- |
| 52 | 12601579 | 1 | WASHER<br>-Valid for USA and CDN- |
| 53 | 65408700 | 1 | NUT<br>-Valid for USA and CDN-    |

Enzo Ferrari - 116 - PASSENGERS COMPARTMENT UPHOLSTERY AND ACCESSORIES

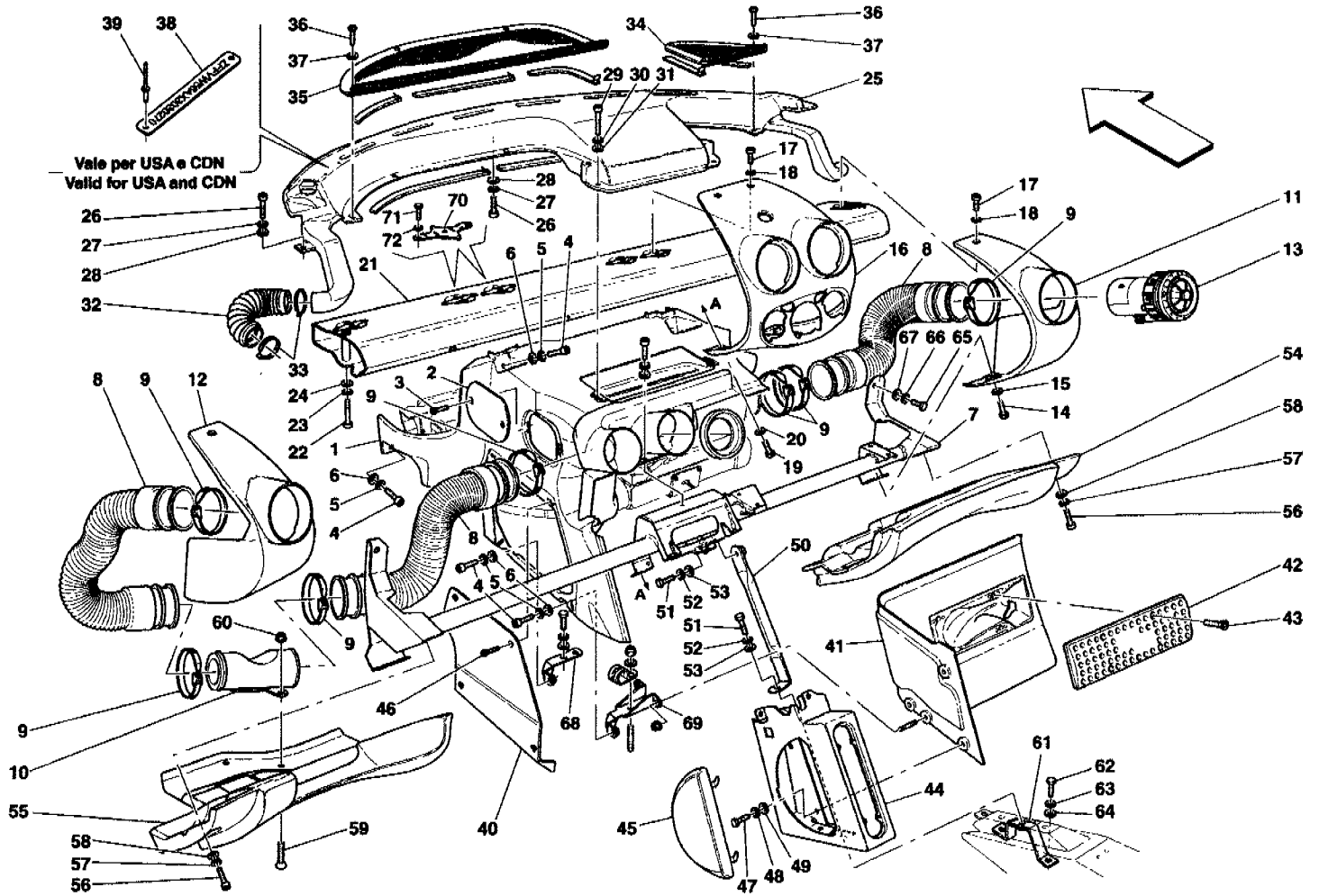


Enzo Ferrari - 116 - PASSENGERS COMPARTMENT UPHOLSTERY AND ACCESSORIES

|    |          |   |                                    |
|----|----------|---|------------------------------------|
| 1  | 66796300 | 1 | CENTRAL TUNNEL CONSOLE             |
| 2  | 14305287 | 3 | SCREW                              |
| 3  | 12644478 | 3 | WASHER                             |
| 4  | 67555400 | 3 | WASHER                             |
| 5  | 66796600 | 2 | FELT                               |
| 6  | 67413700 | 2 | DRAWEL CARPET                      |
| 7  | 61107600 | 1 | CIGAR LIGHTER BODY                 |
| 8  | 67500900 | 1 | "ENZO FERRARI" PLATE               |
| 9  | 64460400 | 1 | FERRARI-PININFARINA MARK           |
| 10 | 672803.. | 1 | R.H. SIDE CONSOLE                  |
| 11 | 67281100 | 1 | FELT                               |
| 12 | 14305624 | 2 | SCREW                              |
| 13 | 12644478 | 2 | WASHER                             |
| 14 | 67555400 | 2 | WASHER                             |
| 15 | 675874.. | 1 | R.H. CARPET                        |
| 16 | 62940900 | 2 | SCREW                              |
| 17 | 12643778 | 2 | WASHER                             |
| 18 | 66842600 | 2 | R.H. SIDE REAR BRACKET             |
| 19 | 14305287 | 4 | SCREW                              |
| 20 | 12644478 | 4 | WASHER                             |
| 21 | 67555400 | 4 | WASHER                             |
| 22 | 672804.. | 1 | L.H. SIDE CONSOLE                  |
| 23 | 168133   | 2 | SCREW                              |
| 24 | 14358726 | 1 | SCREW                              |
| 25 | 12643778 | 3 | WASHER                             |
| 26 | 67555500 | 3 | WASHER                             |
| 27 | 67343700 | 1 | L.H. BRACKET                       |
| 28 | 14305287 | 5 | SCREW                              |
| 29 | 12644478 | 5 | WASHER                             |
| 30 | 67555400 | 5 | WASHER                             |
| 31 | 67365700 | 1 | REAR COVER                         |
| 31 | 67365900 | 1 | LINING                             |
| 32 | 67364500 | 1 | SEAT BACK POCKET                   |
| 33 | 168133   | 4 | SCREW                              |
| 34 | 67508700 | 2 | CLOTHES BELT                       |
| 35 | 10902024 | 2 | SCREW                              |
| 36 | 12604274 | 2 | WASHER                             |
| 37 | 14498804 | 2 | WASHER                             |
| 38 | 193625   | 1 | PASSENGER SIDE CARPET              |
|    |          |   | -Th. 6mm-                          |
| 39 | 193624   | 1 | DRIVER SIDE CARPET                 |
|    |          |   | -Th. 6mm-                          |
| 39 | 193623   | 1 | DRIVER SIDE CARPET                 |
|    |          |   | -Th. 21mm-                         |
| 40 | 193222   | 1 | PILOT FOOT-REST                    |
|    |          |   | PLATE                              |
| 41 | 196564   | 2 | SCREW                              |
| 42 | 67500810 | 1 | "CAMPIONI DEL MONDO F1 2001" PLATE |
| 42 | 67506910 | 1 | "CAMPIONI DEL MONDO F1 2002" PLATE |
| 42 | 68256110 | 1 | "CAMPIONI DEL MONDO F1 2003" MARK  |
| 43 | 67500610 | 1 | CUSTOMER PLATE                     |
| 43 | 67500710 | 1 | "LIMITED" CUSTOMER PLATE           |
| 44 | 67603000 | 1 | CIGAR LIGHTER PLUG                 |
| 45 | 13274117 | 4 | SCREW                              |
| 46 | 13274872 | 2 | SCREW                              |
| 47 | 13274377 | 2 | SCREW                              |

For particular colour matchings, make order by Fax or E-m@il, specifying serial number. - See "INNER TRIMS CAR CODES" table for codes of parts covered in leather or moquette.

Enzo Ferrari - 117 - DASHBOARD

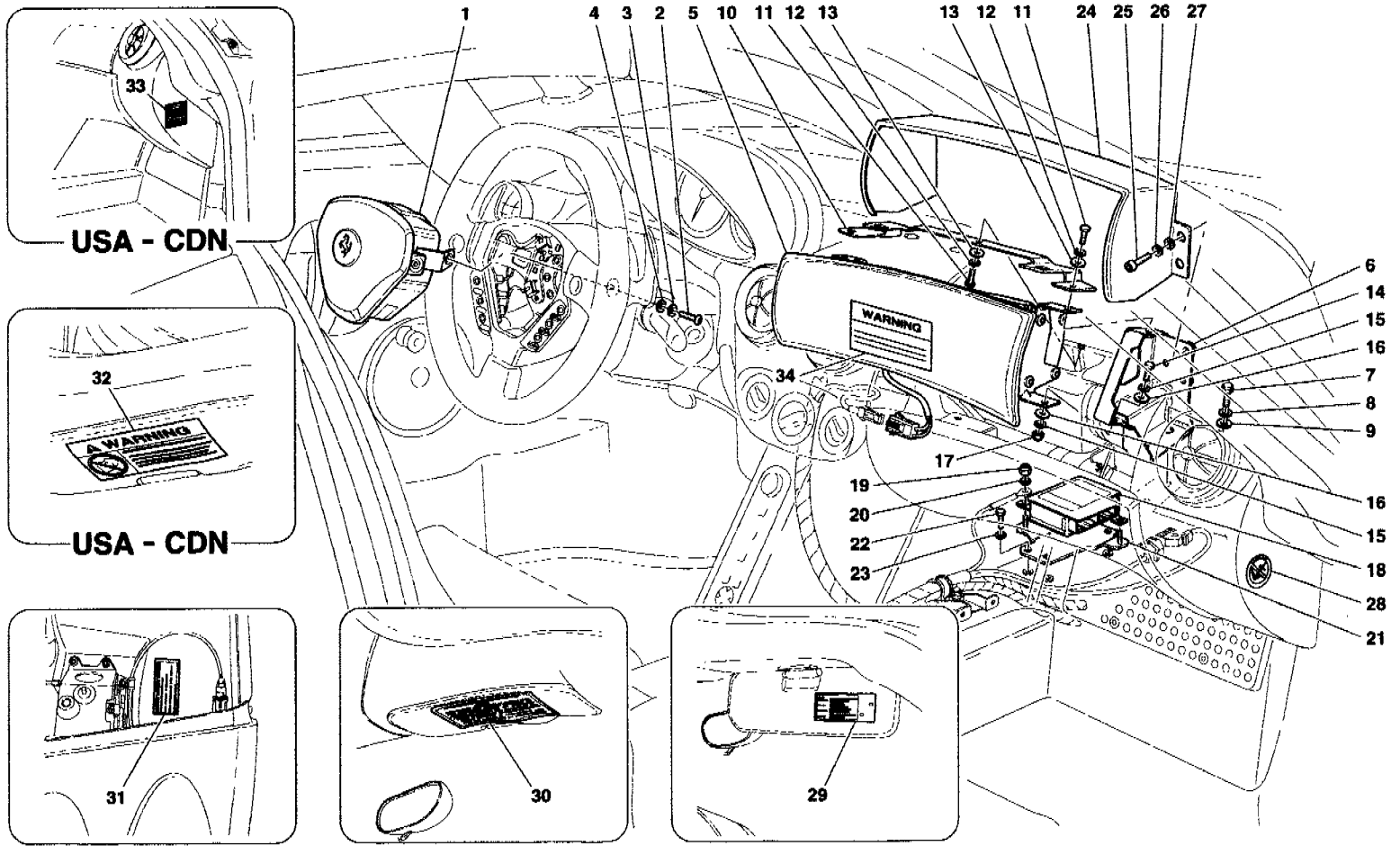


Enzo Ferrari - 117 - DASHBOARD

|    |          |   |   |
|----|----------|---|---|
| 1  | 66756100 | 1 | HEATER COVER                                  |
| 2  | 66756300 | 1 | COVER FOR INSPECTION                          |
| 3  | 13299477 | 2 | SCREW   |
| 4  | 16132324 | 5 | SCREW   |
| 5  | 12644424 | 5 | WASHER  |
| 6  | 12620474 | 5 | WASHER  |
| 7  | 66582000 | 1 | DASHBOARD FRAMEWORK                           |
| 8  | 67208400 | 3 | AIR OUTLET WRINKLED HOSE                      |
| 9  | 196655   | 7 | CLAMP   |
| 10 | 67555100 | 1 | SLEEVE  |
| 11 | 66849700 | 1 | R.H. SIDE SHIELD                              |
| 12 | 66849800 | 1 | L.H. SIDE SHIELD                              |
| 13 | 67382400 | 4 | DASHBOARD AIR DIFFUSER                        |
| 14 | 62940900 | 4 | SCREW   |
| 15 | 12643778 | 4 | WASHER  |
| 16 | 66849900 | 1 | CENTRAL COVER                                 |
| 17 | 67254900 | 4 | SCREW   |
| 18 | 12639724 | 4 | WASHER  |
| 19 | 62940900 | 2 | SCREW   |
| 20 | 12643778 | 2 | WASHER  |
| 21 | 66577500 | 1 | DASHBOARD CROSS MEMBER                        |
| 22 | 14305524 | 2 | SCREW   |
| 23 | 12643724 | 2 | WASHER  |
| 24 | 12620474 | 2 | WASHER  |
| 25 | 66752000 | 1 | AIR DIFFUSER                                  |
| 26 | 14305224 | 3 | SCREW   |
| 27 | 12644477 | 3 | WASHER  |
| 28 | 12620474 | 3 | WASHER  |
| 29 | 14305424 | 2 | SCREW   |
| 30 | 12644424 | 2 | WASHER  |
| 31 | 12620474 | 2 | WASHER  |
| 32 | 67296900 | 2 | WRINKLED HOSE                                 |
| 33 | 105550   | 4 | CLAMP   |
| 34 | 66762500 | 1 | R.H. NET COVER                                |
| 35 | 66762600 | 1 | L.H. NET COVER                                |
| 36 | 63343400 | 7 | SCREW   |
| 37 | 12642878 | 7 | WASHER  |
| 38 | 67507900 | 1 | CAR ID NUMER PLATE<br>-Valid for USA and CDN- |
| 39 | 14643590 | 2 | RIVET<br>-Valid for USA and CDN-              |
| 40 | 66756200 | 1 | ACCELERATOR SIDE COVER                        |
| 41 | 66954800 | 1 | FOOT-REST FOR PASSENGER<br>COVER              |
| 42 | 66122200 | 1 | COVER   |
| 43 | 65847800 | 4 | SCREW   |
| 44 | 66806000 | 1 | CENTRAL CONSOLE                               |
| 45 | 667939.. | 1 | KNEE PROTECT LINING                           |
| 45 | 668092.. | 1 | LINING  |
| 46 | 14305287 | 4 | SCREW   |
| 47 | 10979424 | 2 | SCREW   |
| 48 | 12643724 | 2 | WASHER  |
| 49 | 12620474 | 2 | WASHER  |
| 50 | 67198200 | 1 | REINFORCEMENT PIPE                            |
| 51 | 16043424 | 2 | SCREW   |
| 52 | 14496524 | 2 | WASHER  |
| 53 | 12601374 | 2 | WASHER  |
| 54 | 667569.. | 1 | PASSENGER SIDE LINING                         |
| 54 | 667653.. | 1 | LINING  |
| 55 | 667570.. | 1 | PILOT SIDE LINING                             |
| 55 | 667654.. | 1 | LINING  |
| 56 | 14305287 | 8 | SCREW   |
| 57 | 12644478 | 8 | WASHER  |
| 58 | 67555400 | 8 | WASHER  |
| 59 | 65253400 | 2 | SCREW   |
| 60 | 159601   | 2 | NUT   |
| 61 | 67198500 | 1 | LOWER BRACKET                                 |
| 62 | 16043424 | 2 | SCREW   |

|    |          |    |                              |
|----|----------|----|------------------------------|
| 63 | 14496524 | 2  | WASHER                       |
| 64 | 12601374 | 2  | WASHER                       |
| 65 | 16043424 | 2  | SCREW                        |
| 66 | 12601374 | 2  | WASHER                       |
| 67 | 14496624 | 2  | WASHER                       |
| 68 | 66928400 | 1  | LOWER BRACKET                |
| 69 | 66955600 | 1  | BRACKET                      |
| 70 | 66953200 | 4  | COVERS UPPER FIXING CLIP     |
| 70 | 67056000 | 2  | INSTRUMENT UPPER FIXING CLIP |
| 71 | 10444624 | 12 | SCREW                        |
| 72 | 12601074 | 12 | WASHER                       |

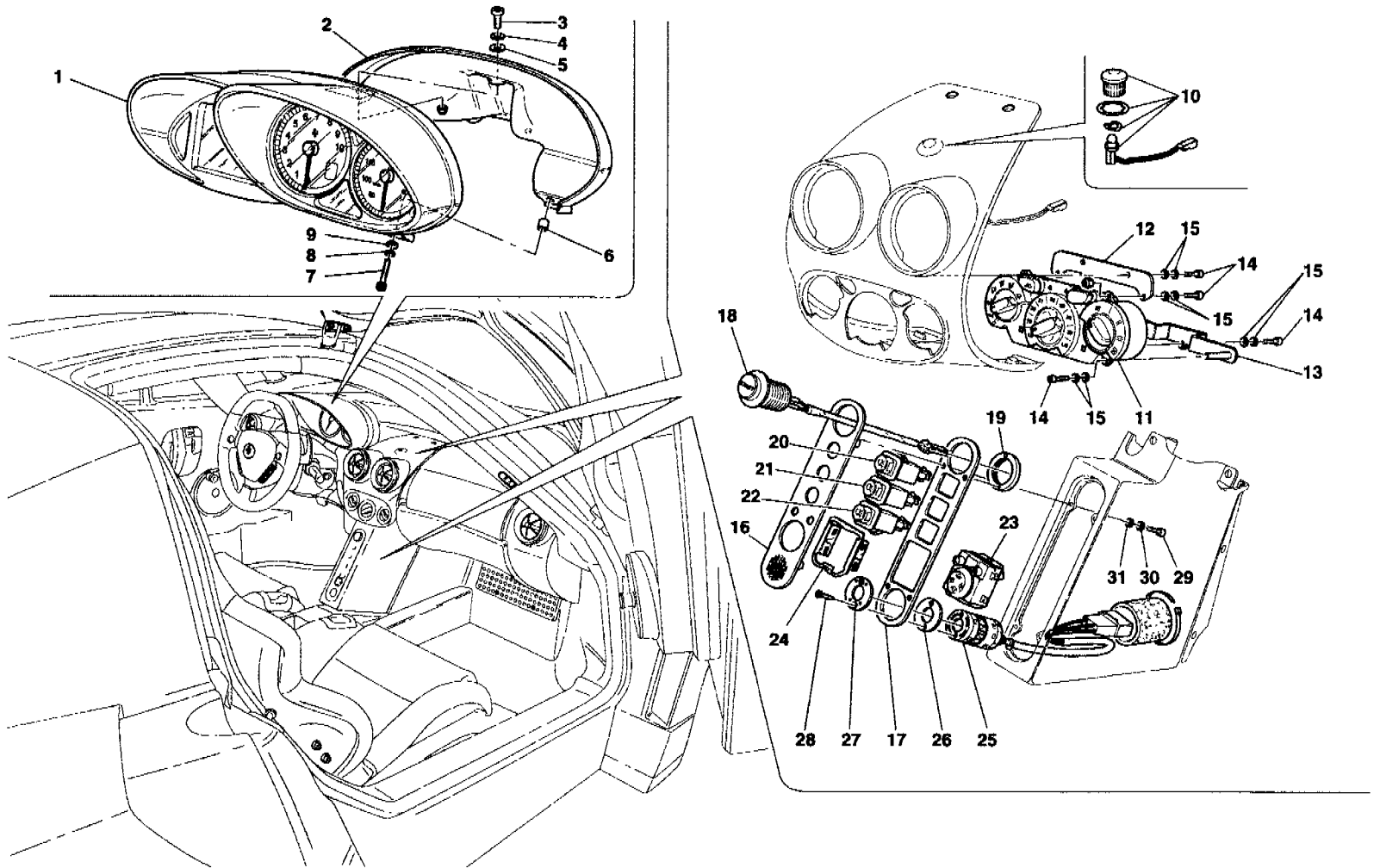
For particular colour matchings, make order by Fax or E-m@il, specifying serial number. - See "INNER TRIMS CAR CODES" table for codes of parts covered in leather or moquette.



Enzo Ferrari - 118 - AIR-BAGS

|    |          |   |  |
|----|----------|---|--|
| 1  | 175334   | 1 | DRIVER SIDE AIR-BAG                            |
| 2  | 64882800 | 2 | SCREW  |
| 3  | 127494   | 2 | WASHER   |
| 4  | 14499324 | 2 | WASHER   |
| 5  | 66586100 | 1 | PASSENGER SIDE AIR-BAG                         |
| 6  | 67111600 | 1 | OUTER BRACKET                                  |
| 6  | 67111700 | 1 | INNER BRACKET                                  |
| 7  | 16286227 | 4 | SCREW  |
|    |          |   | -Not as spare part-                            |
|    |          |   | -Replaced by 16286027-                         |
| 7  | 16286027 | 4 | SCREW  |
| 8  | 12643778 | 4 | WASHER   |
| 9  | 67555400 | 4 | WASHER   |
| 10 | 67112000 | 1 | CENTRAL BRACKET                                |
| 11 | 16132324 | 3 | SCREW  |
| 12 | 12643724 | 3 | WASHER   |
| 13 | 12620474 | 3 | WASHER   |
| 14 | 16132324 | 2 | SCREW  |
| 15 | 12643724 | 4 | WASHER   |
| 16 | 12620474 | 4 | WASHER   |
| 17 | 102741   | 2 | NUT  |
| 18 | 185598   | 1 | AIR-BAG CONTROL UNIT                           |
|    |          |   | -Not as spare part-                            |
|    |          |   | -Replaced by 213143-                           |
| 18 | 213143   | 1 | AIR-BAG CONTROL UNIT                           |
| 19 | 12575421 | 3 | NUT  |
| 20 | 14498804 | 3 | WASHER   |
| 21 | 67088900 | 1 | BRACKET  |
| 22 | 16296927 | 4 | SCREW  |
| 23 | 14499324 | 4 | WASHER   |
| 24 | 67357500 | 1 | PASSENGER SIDE AIR-BAG<br>COVER                |
| 25 | 67254900 | 4 | SCREW  |
| 26 | 12604274 | 4 | WASHER   |
| 27 | 12639724 | 4 | WASHER   |
| 28 | 65142000 | 1 | AIR BAG/CHILDREN SEAT<br>INCOMPATIBILITY PLATE |
|    |          |   | -Not for USA and CDN-                          |
| 29 | 65910700 | 1 | AIR BAG MAINTENANCE<br>PLATE                   |
|    |          |   | -Not for USA and CDN-                          |
| 30 | 64764500 | 2 | AIR-BAG SYSTEM USE PLATE                       |
|    |          |   | -Not for USA and CDN-                          |
| 31 | 12856780 | 1 | AIR-BAG PLATE                                  |
| 32 | 65423800 | 2 | AIR-BAG SYSTEM USE PLATE                       |
|    |          |   | -Valid for USA-                                |
| 32 | 64541500 | 2 | AIR-BAG SYSTEM USE PLATE                       |
|    |          |   | -Valid for CDN-                                |
| 33 | 64499400 | 1 | AIR BAG MAINTENANCE<br>PLATE                   |
|    |          |   | -Valid for USA-                                |
| 33 | 64541700 | 1 | AIR BAG MAINTENANCE<br>PLATE                   |
|    |          |   | -Valid for CDN-                                |
| 34 | 65424000 | 1 | AIR-BAG SYSTEM PRESENCE<br>PLATE               |
|    |          |   | -Valid for USA and CDN-                        |

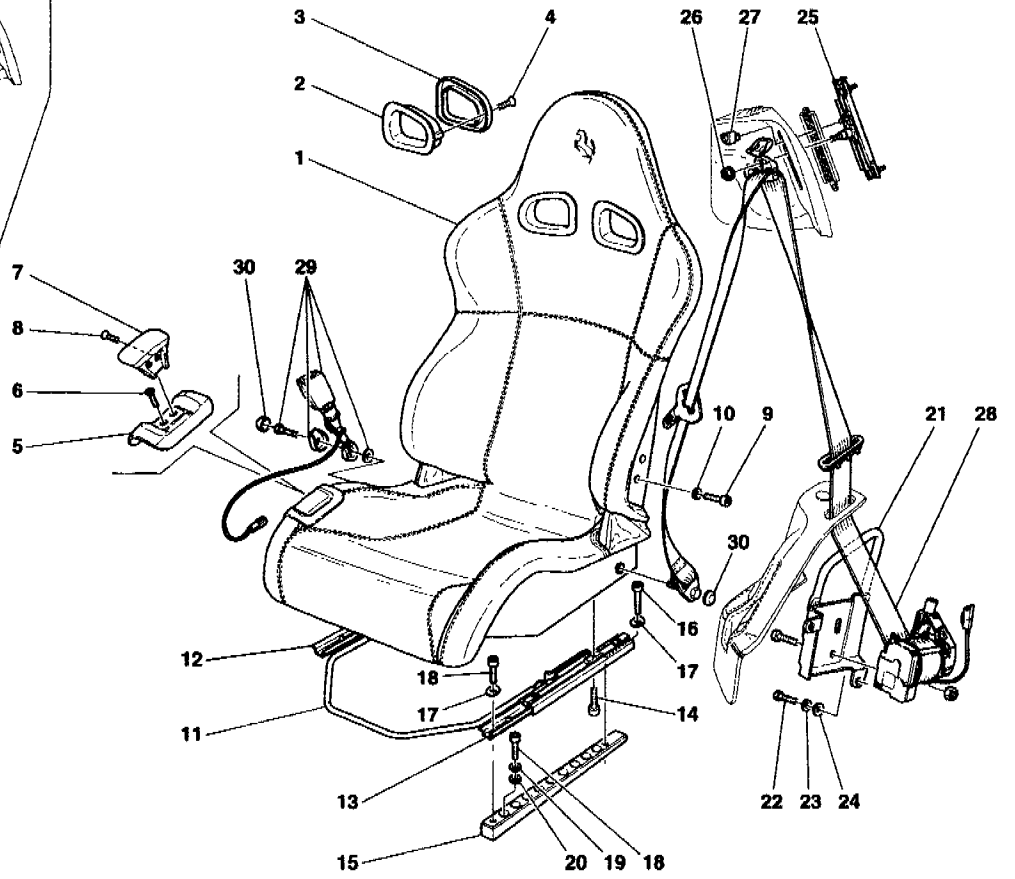
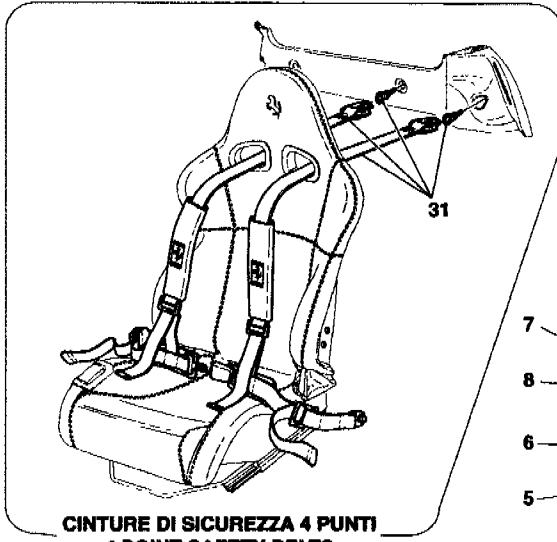
Enzo Ferrari - 119 - DASHBOARD INSTRUMENTS



Enzo Ferrari - 119 - DASHBOARD INSTRUMENTS

|    |          |    |  |
|----|----------|----|--|
| 1  | 185597   | 1  | COMPLETE INSTRUMENT BOARD<br>-Not for USA-                                 |
| 1  | 193176   | 1  | COMPLETE INSTRUMENT BOARD<br>-Valid for USA-                               |
| 1  | 194114   | 1  | COMPLETE YELLOW INSTRUMENT BOARD<br>-As an alternative-<br>-Not for USA-   |
| 1  | 194115   | 1  | COMPLETE YELLOW INSTRUMENT BOARD<br>-As an alternative-<br>-Valid for USA- |
| 2  | 67054800 | 1  | REAR COVER   |
| 3  | 67254900 | 3  | SCREW  |
| 4  | 12604274 | 3  | WASHER   |
| 5  | 12639724 | 3  | WASHER   |
| 6  | 67056400 | 2  | SPACER   |
| 7  | 14304487 | 2  | SCREW  |
| 8  | 12637878 | 2  | WASHER   |
| 9  | 12601177 | 2  | WASHER   |
| 10 | 64692400 | 1  | SENSOR   |
| 11 | 65520500 | 1  | A.C. CONTROL SET<br>-Not for USA-  |
| 11 | 65803000 | 1  | A.C. CONTROL SET<br>-Valid for USA-  |
| 12 | 67362300 | 1  | UPPER BRACKET  |
| 13 | 67362400 | 1  | LOWER BRACKET  |
| 14 | 14303224 | 7  | SCREW  |
| 15 | 13579004 | 14 | WASHER   |
| 16 | 67053300 | 1  | UPPER PLATE<br>-Not for USA and CDN-                                       |
| 16 | 67588500 | 1  | UPPER PLATE<br>-Valid for USA and CDN-                                     |
| 17 | 67053400 | 1  | LOWER PLATE  |
| 18 | 190352   | 1  | PUSH BUTTON  |
| 19 | 194353   | 1  | RING NUT   |
| 20 | 157477   | 1  | EMERGENCY LIGHTS SWITCH<br>-Valid till stock exhaustion-                   |
| 20 | 208845   | 1  | EMERGENCY LIGHTS SWITCH<br>-Valid after stock exhaustion of 157477-        |
| 21 | 157479   | 1  | SWITCH FOR PARKING LIGHT<br>-Valid till stock exhaustion-                  |
| 21 | 208847   | 1  | SWITCH FOR PARKING LIGHT<br>-Valid after stock exhaustion of 157479-       |
| 22 | 190196   | 1  | REAR FOG LIGHT CONTROL SWITCH<br>-Not for USA and CDN-                     |
| 23 | 181275   | 1  | SWITCH FOR OUTER REARVIEW MIRRORS CONTROL                                  |
| 24 | 67354100 | 1  | CLIP   |
| 25 | 63934200 | 1  | INNER COMPARTMENT TEMPERATURE SENSOR                                       |
| 26 | 63994700 | 1  | WASHER CASING SENSOR   |
| 27 | 63994600 | 1  | WASHER   |
| 28 | 15915977 | 2  | SCREW  |
| 29 | 14302987 | 4  | SCREW  |
| 30 | 14497778 | 4  | WASHER   |
| 31 | 67584300 | 4  | WASHER   |

Enzo Ferrari - 120 - SEAT AND SAFETY BELTS



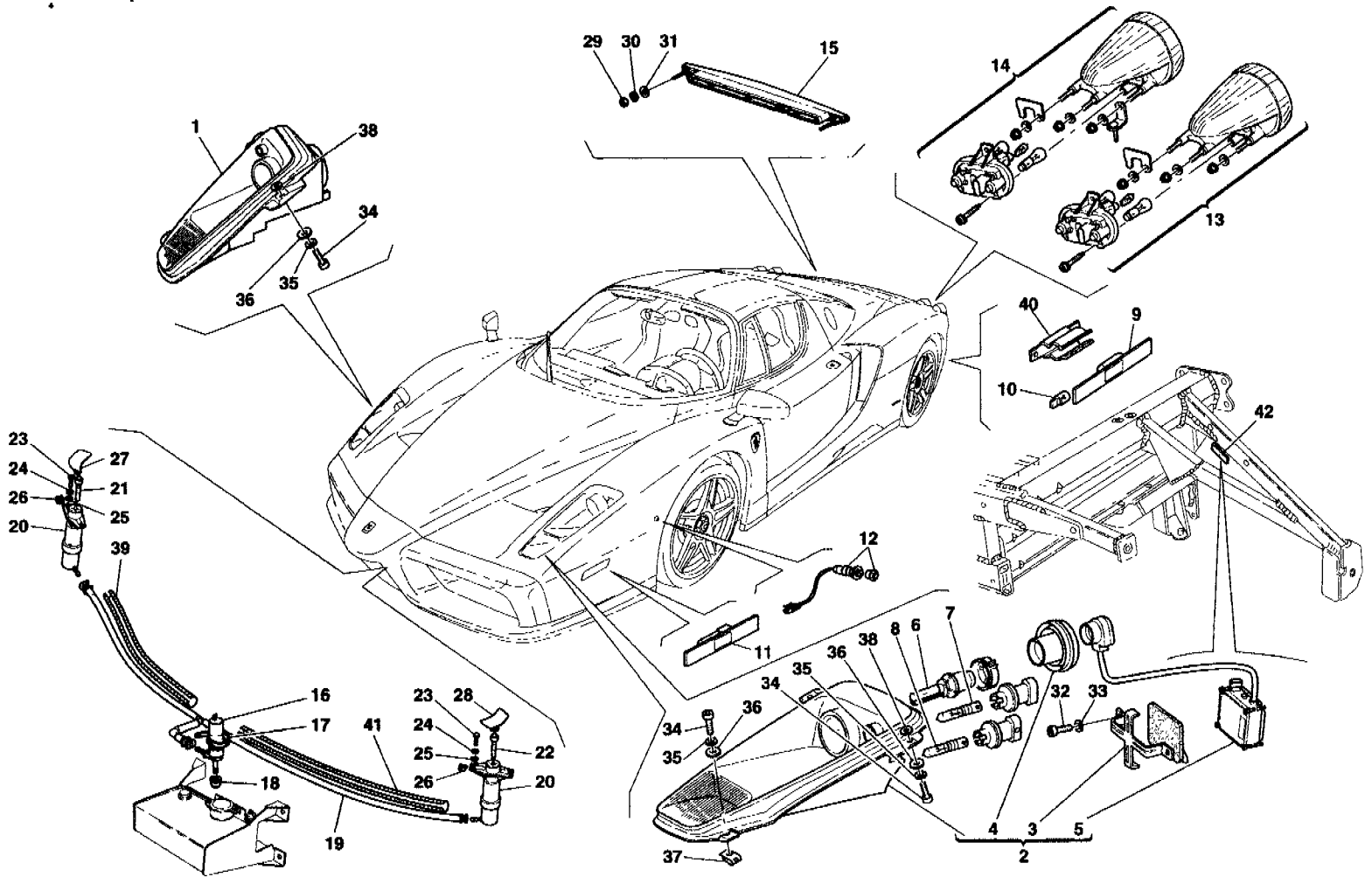
Enzo Ferrari - 120 - SEAT AND SAFETY BELTS

|   |          |   |  |
|---|----------|---|--|
| 1 | 674237.. | 1 | COMPLETE "STANDARD"<br>R.H. SEAT<br>-Leather-            |
| 1 | 674238.. | 1 | COMPLETE "LARGE"<br>R.H. SEAT<br>-Leather-               |
| 1 | 674239.. | 1 | COMPLETE "MEDIUM"<br>R.H. SEAT<br>-Leather-              |
| 1 | 674240.. | 1 | COMPLETE "EXTRA-LARGE"<br>R.H. SEAT<br>-Leather-         |
| 1 | 674241.. | 1 | COMPLETE "STANDARD"<br>L.H. SEAT<br>-Leather-            |
| 1 | 674242.. | 1 | COMPLETE "LARGE"<br>L.H. SEAT<br>-Leather-               |
| 1 | 674243.. | 1 | COMPLETE "MEDIUM"<br>L.H. SEAT<br>-Leather-              |
| 1 | 674244.. | 1 | COMPLETE "EXTRA-LARGE"<br>L.H. SEAT<br>-Leather-         |
| 1 | 675950.. | 1 | COMPLETE 3D TISSUE "STANDARD"<br>R.H. SEAT<br>-Red-      |
| 1 | 675954.. | 1 | COMPLETE 3D TISSUE "STANDARD"<br>R.H. SEAT<br>-Black-    |
| 1 | 676053.. | 1 | COMPLETE 3D TISSUE "STANDARD"<br>L.H. SEAT<br>-Red-      |
| 1 | 676054.. | 1 | COMPLETE 3D TISSUE "STANDARD"<br>L.H. SEAT<br>-Black-    |
| 1 | 676056.. | 1 | COMPLETE 3D TISSUE "LARGE"<br>R.H. SEAT<br>-Red-         |
| 1 | 676057.. | 1 | COMPLETE 3D TISSUE "LARGE"<br>R.H. SEAT<br>-Black-       |
| 1 | 676059.. | 1 | COMPLETE 3D TISSUE "LARGE"<br>L.H. SEAT<br>-Red-         |
| 1 | 676060.. | 1 | COMPLETE 3D TISSUE "LARGE"<br>L.H. SEAT<br>-Black-       |
| 1 | 676062.. | 1 | COMPLETE 3D TISSUE "MEDIUM"<br>R.H. SEAT<br>-Red-        |
| 1 | 676063.. | 1 | COMPLETE 3D TISSUE "MEDIUM"<br>R.H. SEAT<br>-Black-      |
| 1 | 676065.. | 1 | COMPLETE 3D TISSUE "MEDIUM"<br>L.H. SEAT<br>-Red-        |
| 1 | 676066.. | 1 | COMPLETE 3D TISSUE "MEDIUM"<br>L.H. SEAT<br>-Black-      |
| 1 | 676068.. | 1 | COMPLETE 3D TISSUE "EXTRA-LARGE"<br>R.H. SEAT<br>-Red-   |
| 1 | 676069.. | 1 | COMPLETE 3D TISSUE "EXTRA-LARGE"<br>R.H. SEAT<br>-Black- |
| 1 | 676071.. | 1 | COMPLETE 3D TISSUE "EXTRA-LARGE"<br>L.H. SEAT            |

|    |          |    |   |
|----|----------|----|---|
| 1  | 676072.. | 1  | -Red-<br>COMPLETE 3D TISSUE "EXTRA-LARGE"<br>L.H. SEAT  |
| 2  | 67593300 | 2  | -Black-<br>R.H. PLATE   |
| 2  | 67593500 | 2  | L.H. PLATE  |
| 3  | 67593400 | 2  | R.H. FRAME  |
| 3  | 67593600 | 2  | L.H. FRAME  |
| 4  | 67594600 | 8  | SCREW   |
| 5  | 67594000 | 2  | PLATE   |
| 6  | 67594200 | 4  | SCREW   |
| 7  | 67593900 | 2  | RELEASE LEVER   |
| 8  | 67594100 | 4  | SCREW   |
| 9  | 67594900 | 4  | SCREW   |
| 10 | 67594800 | 4  | WASHER  |
| 11 | 67594500 | 2  | SEAT RELEASE LEVER  |
| 12 | 67594300 | 2  | R.H. GUIDE  |
| 13 | 67594400 | 2  | L.H. GUIDE  |
| 14 | 67347600 | 2  | SPECIAL SCREW   |
| 15 | 189355   | 4  | GUIDE CONNECTION  |
| 16 | 14306634 | 4  | SCREW   |
| 17 | 63395300 | 8  | ELASTIC PLATE   |
| 18 | 14306374 | 12 | SCREW   |
| 19 | 12638524 | 8  | WASHER  |
| 20 | 12601374 | 8  | WASHER  |
| 21 | 66580300 | 1  | L.H. BRACKET WINDER   |
| 21 | 66580400 | 1  | R.H. BRACKET WINDER   |
| 22 | 16135624 | 4  | SCREW   |
| 23 | 12601374 | 4  | WASHER  |
| 24 | 12625224 | 4  | WASHER  |
| 25 | 65408600 | 2  | SAFETY BELTS HEIGHT<br>REGULATOR  |
| 26 | 65408700 | 2  | NUT   |
| 27 | 65408800 | 2  | KNOB  |
| 28 | 67649700 | 1  | COMPLETE L.H. SAFETY<br>BELTS   |
| 28 | 67649600 | 1  | -Not for USA and CDN-<br>COMPLETE R.H. SAFETY<br>BELTS  |
| 28 | 67649900 | 1  | -Not for USA and CDN-<br>COMPLETE L.H. SAFETY<br>BELTS  |
| 28 | 67649800 | 1  | -Valid for USA and CDN-<br>COMPLETE R.H. SAFETY<br>BELTS  |
| 29 | 67650200 | 1  | -Valid for USA and CDN-<br>L.H. BUCKLE BRANCH   |
| 29 | 67650100 | 1  | R.H. BUCKLE BRANCH  |
| 30 | 66155100 | 4  | SMALL COVER   |
| 31 | 67291600 | 1  | 4 POINTS SAFETY BELTS<br>ASSEMBLY   |
| 31 | 67348200 | 1  | -BLACK-<br>-Not for USA and CDN-<br>4 POINTS SAFETY BELTS<br>ASSEMBLY<br>-RED-<br>-Not for USA and CDN- |

For particular colour matchings, make order by Fax or E-m@il, specifying serial number. - See "INNER TRIMS CAR CODES" table for codes of parts covered in leather or moquette.

Enzo Ferrari - 121 - FRONT AND REAR LIGHTS

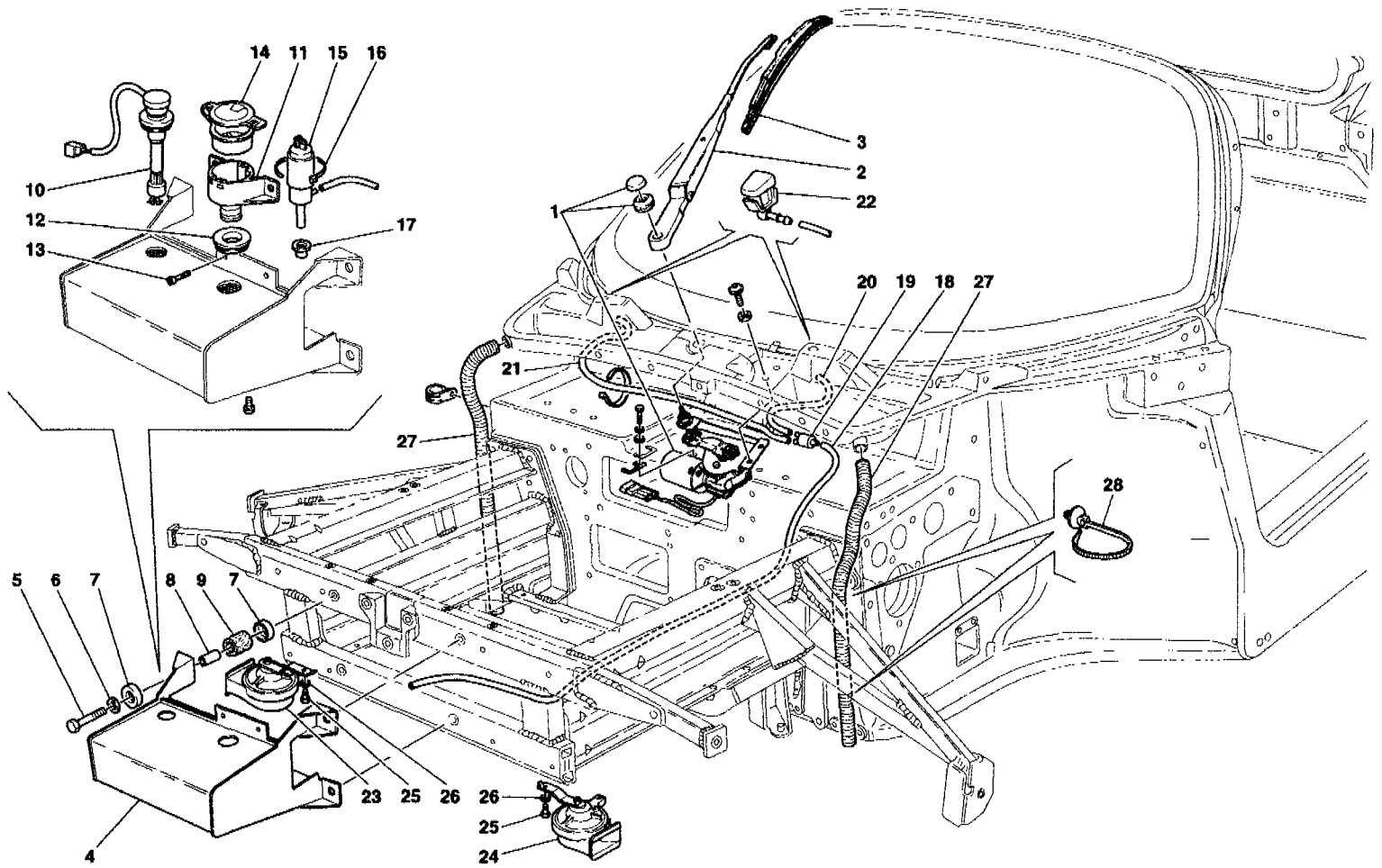


Enzo Ferrari - 121 - FRONT AND REAR LIGHTS

|    |          |   |  |
|----|----------|---|--|
| 1  | 185614   | 1 | R.H. HEADLIGHT LOW/HIGH<br>BEAM<br>-Not for J-                           |
| 1  | 198498   | 1 | R.H. HEADLIGHT LOW/HIGH<br>BEAM<br>-Valid for J-                         |
| 2  | 185615   | 1 | -Valid for GD version-<br>L.H. HEADLIGHT LOW/HIGH<br>BEAM<br>-Not for J- |
| 2  | 198499   | 1 | L.H. HEADLIGHT LOW/HIGH<br>BEAM<br>-Valid for J-                         |
| 3  | 194992   | 2 | -Valid for GD version-<br>BRACKET FOR CONTROL UNIT<br>FIXING             |
| 4  | 195524   | 2 | PROTECTION   |
| 5  | 198092   | 2 | FRONT LIGHT CONTROL<br>STATION   |
| 6  | 14151095 | 2 | 12V-55W BULB   |
| 7  | 14144190 | 2 | 12V-5W BULB  |
| 8  | 187652   | 2 | 12V-21W BULB   |
| 9  | 195404   | 1 | L.H. REAR SIDE-MARKER LIGHT<br>-Not for USA and CDN-                     |
| 9  | 193189   | 1 | L.H. REAR SIDE-MARKER LIGHT<br>-Valid for USA and CDN-                   |
| 9  | 195403   | 1 | R.H. REAR SIDE-MARKER LIGHT<br>-Not for USA and CDN-                     |
| 9  | 195402   | 1 | R.H. REAR SIDE-MARKER LIGHT<br>-Valid for USA and CDN-                   |
| 10 | 14145890 | 4 | SAE 12V BULB   |
| 11 | 193188   | 1 | L.H. FRONT SIDE-MARKER LIGHT   |
| 11 | 195401   | 1 | R.H. FRONT SIDE-MARKER LIGHT   |
| 12 | 165558   | 2 | FRONT SIDE DIRECTION LIGHT   |
| 13 | 185671   | 1 | L.H. OUTER REAR LIGHT<br>-Not for USA and CDN-                           |
| 13 | 193183   | 1 | L.H. OUTER REAR LIGHT<br>-Valid for USA and CDN-                         |
| 13 | 185670   | 1 | R.H. OUTER REAR LIGHT<br>-Not for USA and CDN-                           |
| 13 | 193182   | 1 | R.H. OUTER REAR LIGHT<br>-Valid for USA and CDN-                         |
| 14 | 185669   | 1 | L.H. INNER REAR LIGHT<br>-Not for USA and CDN-                           |
| 14 | 193181   | 1 | L.H. INNER REAR LIGHT<br>-Valid for USA and CDN-                         |
| 14 | 185668   | 1 | R.H. INNER REAR LIGHT<br>-Not for USA and CDN-                           |
| 14 | 193180   | 1 | R.H. INNER REAR LIGHT<br>-Valid for USA and CDN-                         |
| 15 | 164834   | 1 | ADDITIONAL STOP LIGHT  |
| 16 | 65164700 | 1 | HEADLIGHTS WASHER PUMP   |
| 17 | 145855   | 1 | CLAMP  |
| 18 | 65511700 | 1 | GASKET   |
| 19 | 67292900 | 1 | HEADLIGHTS WASHER PIPE SET   |
| 20 | 67292600 | 2 | TELESCOPIC HEADLIGHT WASHER  |
| 21 | 67292700 | 1 | R.H. JET   |
| 22 | 67292800 | 1 | L.H. JET   |
| 23 | 16297024 | 4 | SCREW  |
| 24 | 12601274 | 4 | WASHER   |
| 25 | 12643724 | 4 | WASHER   |
| 26 | 62766300 | 4 | CLIP   |
| 27 | 67259510 | 1 | R.H. CUP PLATE HEADLIGHT WASHER  |
| 28 | 67259610 | 1 | L.H. CUP PLATE HEADLIGHT WASHER  |
| 29 | 10794014 | 2 | NUT  |
| 30 | 10615274 | 2 | WASHER   |
| 31 | 12637824 | 2 | WASHER   |
| 32 | 10977524 | 4 | SCREW  |

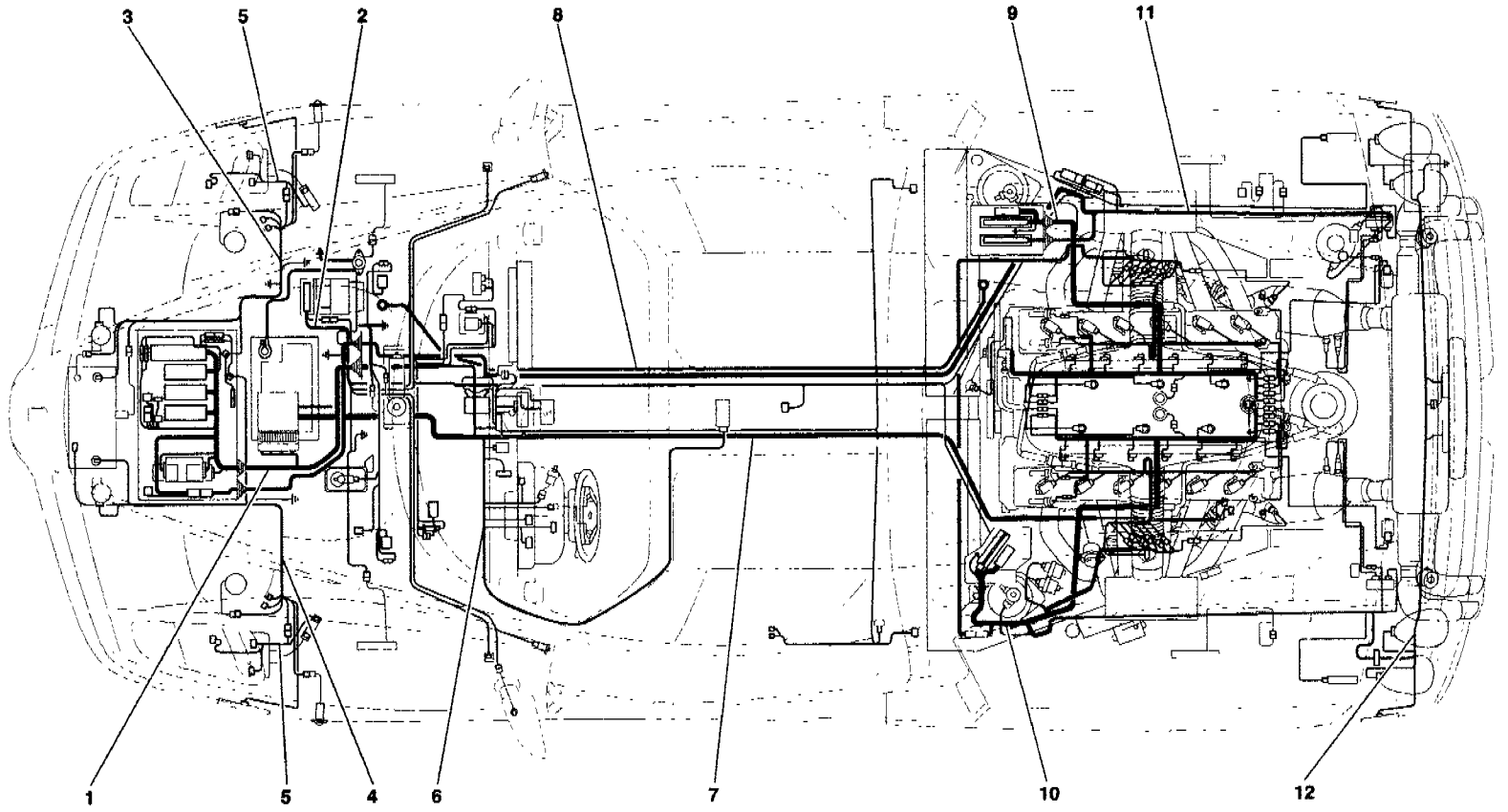
|    |          |   |                 |
|----|----------|---|-----------------|
| 33 | 12637824 | 4 | WASHER          |
| 34 | 14305224 | 6 | SCREW           |
| 35 | 12620474 | 6 | WASHER          |
| 36 | 12644424 | 6 | WASHER          |
| 37 | 62766300 | 2 | CLIP            |
| 38 | 12625224 | 2 | WASHER          |
| 39 | 67632700 | 1 | CORRUGATED HOSE |
| 40 | 67118400 | 4 | CLIP            |
| 41 | 67667000 | 1 | CORRUGATED HOSE |
| 42 | 68134000 | 2 | GASKET          |

Enzo Ferrari - 122 - WINDSHIELD, GLASS WASHER AND HORNS



Enzo Ferrari - 122 - WINDSHIELD, GLASS WASHER AND HORNS

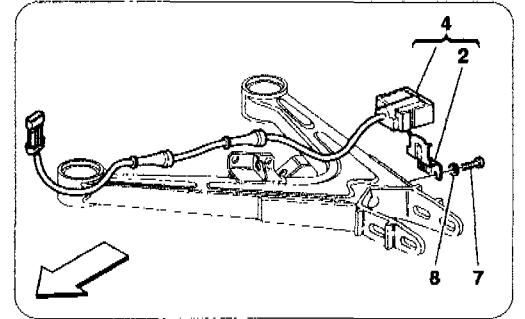
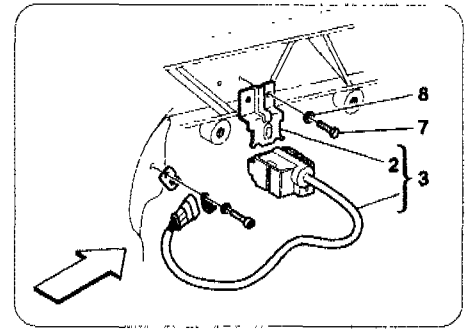
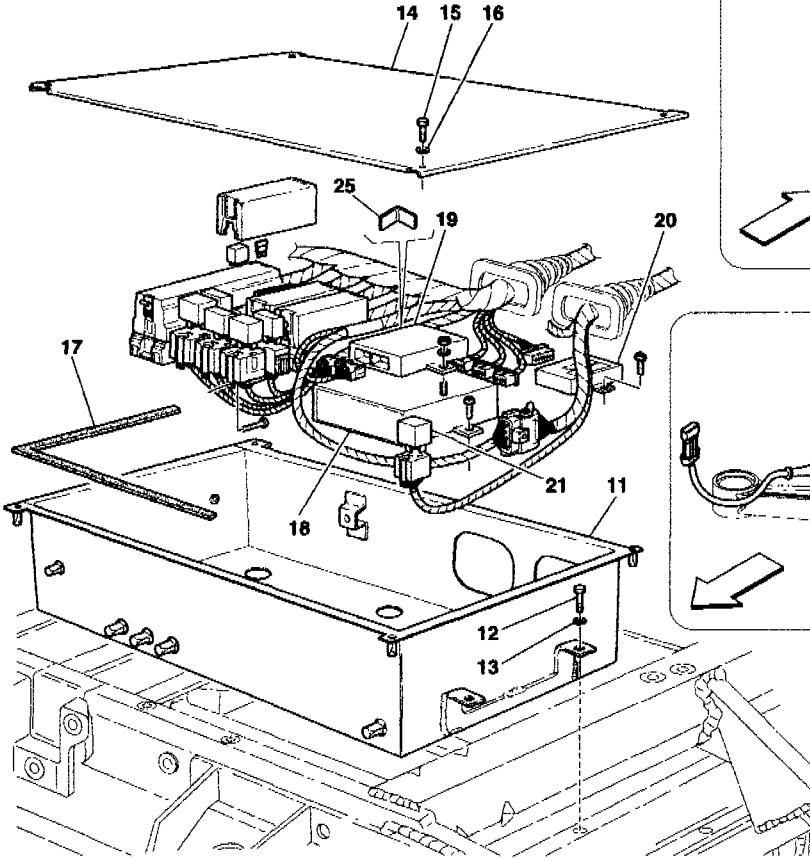
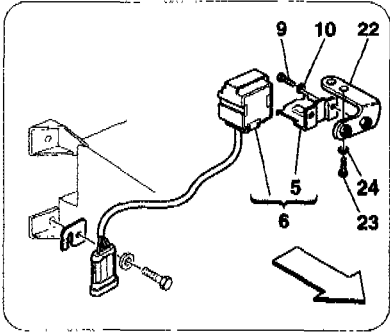
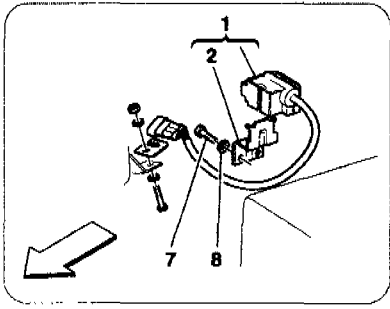
|    |          |   |                               |
|----|----------|---|-------------------------------|
| 1  | 66581900 | 1 | WINDSHIELD WIPER MOTOR        |
| 2  | 67419800 | 1 | WINDSHIELD WIPER ARM          |
| 3  | 66581400 | 1 | WIPER BRUSH                   |
| 4  | 66581800 | 1 | WINDSHIELD WIPER<br>CONTAINER |
| 5  | 16043934 | 4 | SCREW                         |
| 6  | 11193974 | 4 | WASHER                        |
| 7  | 107979   | 8 | CUP                           |
| 8  | 107980   | 4 | SPACER                        |
| 9  | 107978   | 4 | PAD                           |
| 10 | 67288200 | 1 | LIQUID SENSOR                 |
| 11 | 67362600 | 1 | FILL OPENING                  |
| 12 | 63954700 | 1 | SEAL RING                     |
| 13 | 13271914 | 2 | SCREW                         |
| 14 | 63118500 | 1 | TANK PLUG                     |
| 15 | 65358700 | 1 | WIPER PUMP                    |
| 16 | 145855   | 1 | CLAMP                         |
| 17 | 65775100 | 1 | GASKET                        |
| 18 | 67405400 | 1 | PIPE FROM PUMP TO VALVE       |
| 19 | 61648100 | 1 | NONRETURN VALVE               |
| 20 | 67405600 | 1 | PIPE FROM VALVE TO L.H. JET   |
| 21 | 67405500 | 1 | PIPE FROM VALVE TO R.H. JET   |
| 22 | 65191000 | 2 | JET FOR WINDOW WASHING        |
| 23 | 191072   | 1 | COMPLETE R.H. HORN            |
| 24 | 191073   | 1 | COMPLETE L.H. HORN            |
| 25 | 10902324 | 2 | SCREW                         |
| 26 | 12601274 | 2 | WASHER                        |
| 27 | 186653   | 2 | WATER EXHAUST TUBE            |
|    |          |   | -Not as spare parts now-      |
|    |          |   | -Replaced by 65992600-        |
| 27 | 65992600 | 2 | WATER EXHAUST TUBE            |
| 28 | 13386970 | 2 | ELASTIC COLLAR                |



Enzo Ferrari - 123 - ELECTRICAL SYSTEM

|    |        |   |  |
|----|--------|---|--|
| 1  | 198254 | 1 | FRONT PART CONNECTING CABLES<br>-Not as spare parts now-<br>-Replaced by 201101-               |
| 1  | 201101 | 1 | FRONT PART CONNECTING CABLES<br>-Not as spare part-<br>-Replaced by 204339-                    |
| 1  | 204339 | 1 | FRONT PART CONNECTING CABLES   |
| 2  | 185600 | 1 | ABS/ASR INSTALLATION CONNECTING CABLES<br>-Not as spare parts now-<br>-Replaced by 201095-     |
| 2  | 201095 | 1 | ABS/ASR INSTALLATION CONNECTING CABLES   |
| 3  | 185609 | 1 | CONNECTION CABLES FOR R.H. FRONT UTILITIES<br>-Not as spare parts now-<br>-Replaced by 201099- |
| 3  | 201099 | 1 | CONNECTION CABLES FOR R.H. FRONT UTILITIES   |
| 4  | 185608 | 1 | CONNECTION CABLES FOR L.H. FRONT UTILITIES<br>-Not as spare parts now-<br>-Replaced by 201098- |
| 4  | 201098 | 1 | CONNECTION CABLES FOR L.H. FRONT UTILITIES   |
| 5  | 196747 | 2 | FRONT HEADLIGHTS CONNECTION CABLES<br>-Not as spare parts now-<br>-Replaced by 201096-         |
| 5  | 201096 | 2 | FRONT HEADLIGHTS CONNECTION CABLES   |
| 6  | 185603 | 1 | DASHBOARD CONNECTION CABLES<br>-Not as spare parts now-<br>-Replaced by 201097-                |
| 6  | 201097 | 1 | DASHBOARD CONNECTION CABLES<br>-Valid till Ass. Nr. 52364-                                     |
| 6  | 205432 | 1 | DASHBOARD CONNECTION CABLES<br>-Valid from Ass. Nr. 52365-                                     |
| 7  | 188138 | 1 | CONNECTION CABLES FOR MOTOR UTILITIES  |
| 8  | 185606 | 1 | CABLE FROM FRONT TO REAR CONNECTION  |
| 9  | 197601 | 1 | R.H. SIDE INJECTION CONNECTING CABLES  |
| 10 | 188137 | 1 | L.H. SIDE INJECTION CONNECTING CABLES  |
| 11 | 197600 | 1 | REAR PART CONNECTING CABLES  |
| 12 | 185607 | 1 | REAR LIGHTS CONNECTION CABLES<br>-Not for USA and CDN-   |
| 12 | 196341 | 1 | REAR LIGHTS CONNECTION CABLES<br>-Valid for USA and CDN-                                       |

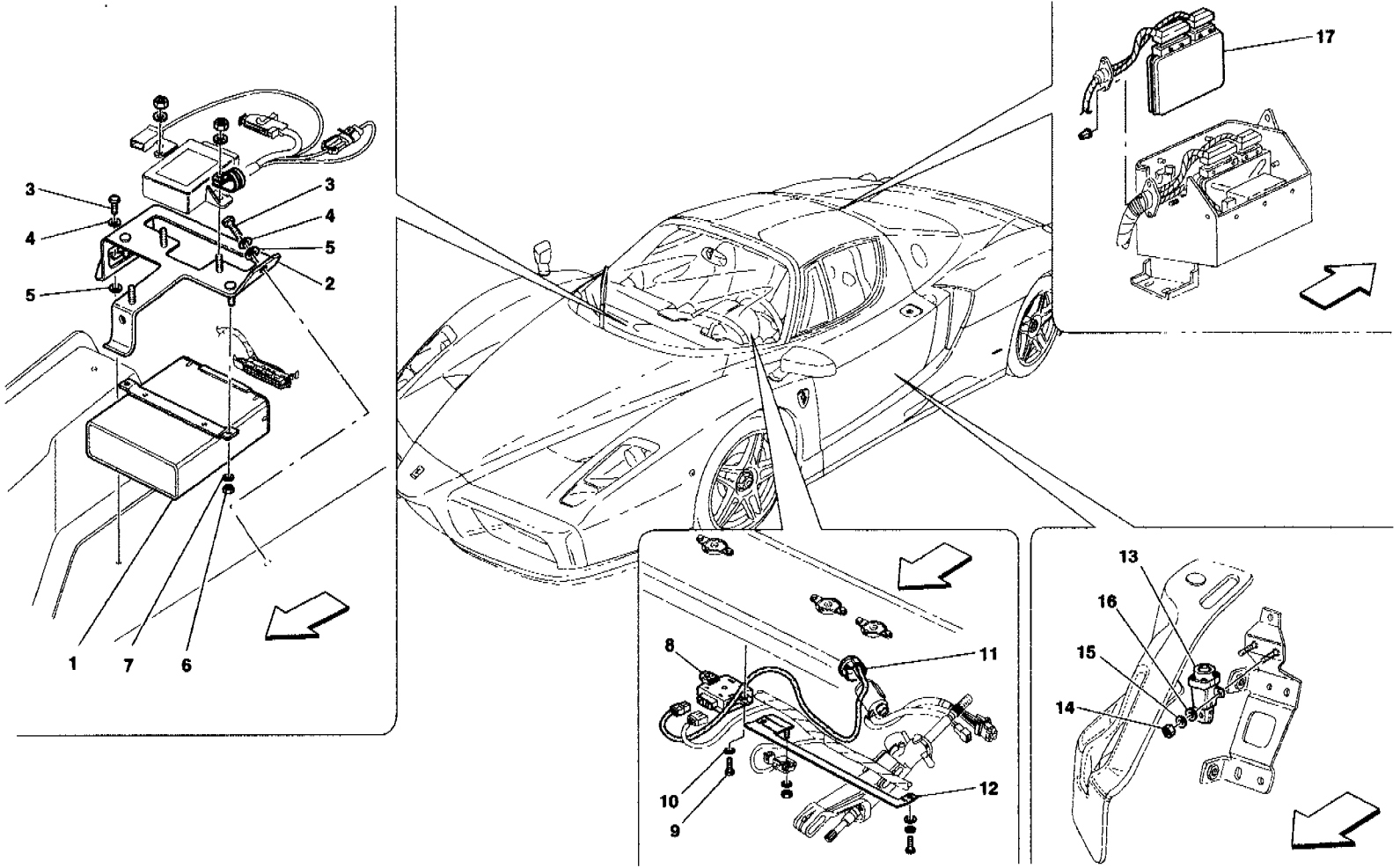
Enzo Ferrari - 124 - FRONT ELECTRICAL BOARDS AND SENSOR



Enzo Ferrari - 124 - FRONT ELECTRICAL BOARDS AND SENSOR

|    |          |    |  |
|----|----------|----|--|
| 1  | 194890   | 2  | FRONT VERTICAL ACCELERATION<br>SENSOR            |
| 2  | 178247   | 5  | BRACKET  |
| 3  | 175220   | 1  | FRONT VERTICAL ACCELERATION<br>SENSOR            |
| 4  | 194888   | 2  | FRONT WHEEL ACCELERATION SENSOR                  |
| 5  | 178251   | 1  | BRACKET  |
| 6  | 175221   | 1  | FRONT LATERAL ACCELERATION<br>SENSOR             |
| 7  | 10902024 | 10 | SCREW  |
| 8  | 12601274 | 10 | WASHER   |
| 9  | 10979414 | 2  | SCREW  |
| 10 | 12601274 | 2  | WASHER   |
| 11 | 191071   | 1  | FRONT BOX  |
| 12 | 10902224 | 4  | SCREW  |
| 13 | 11193274 | 4  | WASHER   |
| 14 | 193761   | 1  | BOX COVER  |
| 15 | 10977824 | 4  | SCREW  |
| 16 | 12637824 | 4  | WASHER   |
| 17 | 62984400 | 1  | ANTI-VIBRATIONS                                  |
| 18 | 197603   | 1  | MOVABLE STABILIZER CONTROL STATION               |
| 19 | 185623   | 1  | REPEATER NODE CONTROL STATION<br>-Not for CDN-   |
| 19 | 200751   | 1  | REPEATER NODE CONTROL STATION<br>-Valid for CDN- |
| 20 | 161589   | 1  | HOISTING ELECTRONIC CONTROL<br>STATION           |
| 21 | 155437   | 1  | RELAY FOR ABS                                    |
| 22 | 193100   | 1  | SENSOR BRACKET                                   |
| 23 | 10902224 | 2  | SCREW  |
| 24 | 12601274 | 2  | WASHER   |
| 25 | 205938   | 1  | GASKET   |

Enzo Ferrari - 125 - PASSENGERS AND ENGINE COMPARTMENTS CONTROL UNITS



Enzo Ferrari - 125 - PASSENGERS AND ENGINE COMPARTMENTS CONTROL UNITS

|    |          |   |   |
|----|----------|---|---|
| 1  | 189968   | 1 | SHOCK ABSORBER CONTROL ELECTRIC UNIT                                  |
| 1  | 205621   | 1 | SHOCK ABSORBER CONTROL ELECTRIC UNIT<br>-Valid till stock exhaustion- |
| 2  | 185662   | 1 | CONTROL UNITS FIXING BRACKET  |
| 3  | 10902224 | 2 | SCREW   |
| 4  | 12601274 | 2 | WASHER  |
| 5  | 10519478 | 2 | WASHER  |
| 6  | 169180   | 2 | NUT   |
| 7  | 10519304 | 2 | WASHER  |
| 8  | 60673131 | 1 | IMMOBILIZER CONTROL UNIT  |
| 9  | 16051921 | 2 | SCREW   |
| 10 | 10519624 | 2 | WASHER  |
| 11 | 60674641 | 1 | IMMOBILIZER ANTENNA   |
| 12 | 193681   | 1 | BRACKET   |
| 13 | 163675   | 1 | INERTIAL SWITCH   |
| 14 | 15896472 | 2 | NUT   |
| 15 | 12637878 | 2 | WASHER  |
| 16 | 12601174 | 2 | WASHER  |
| 17 | 197540   | 1 | F1 TRANSMISSION CONTROL ELECTRIC UNIT                                 |