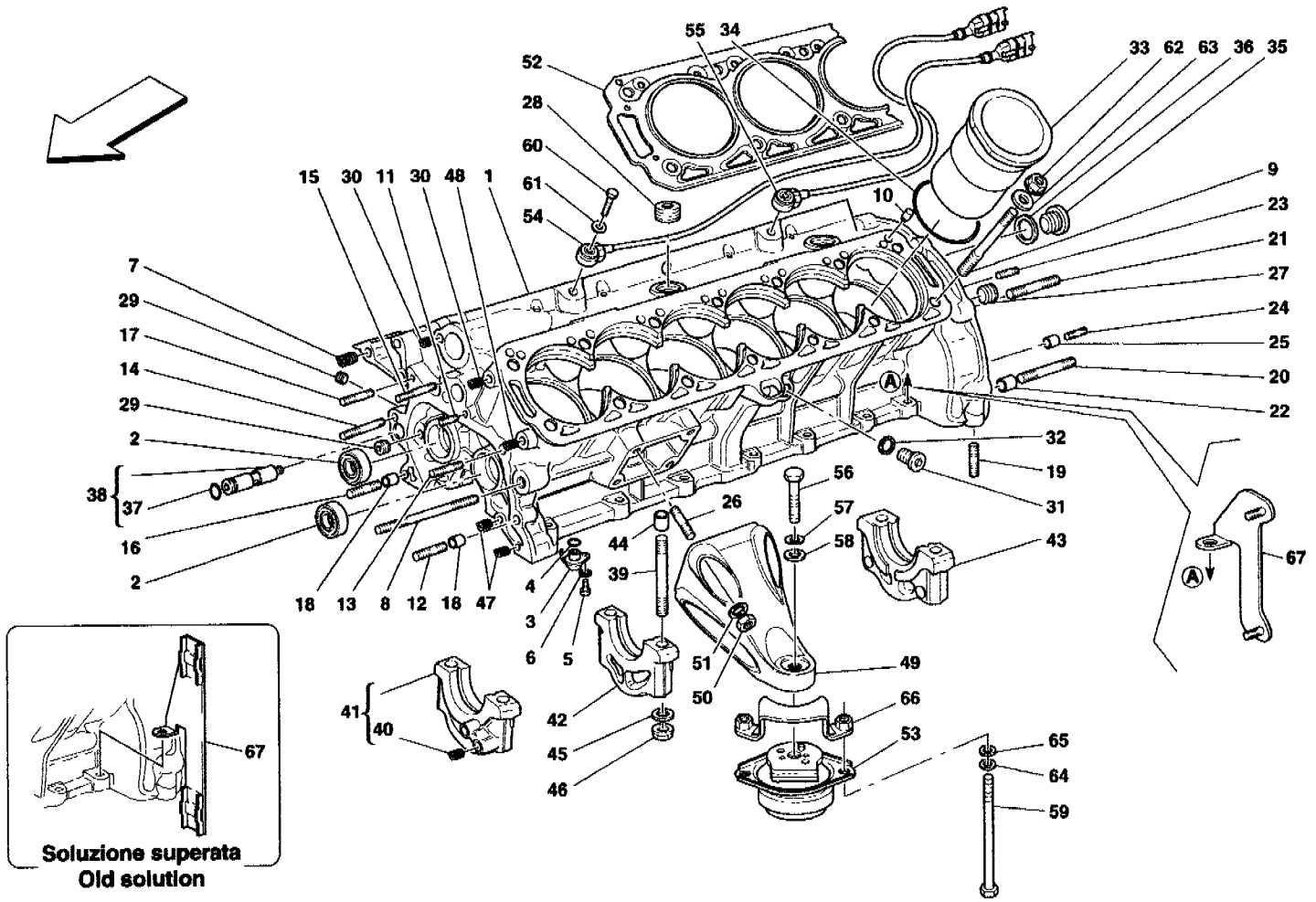


612

SCAGLIETTI



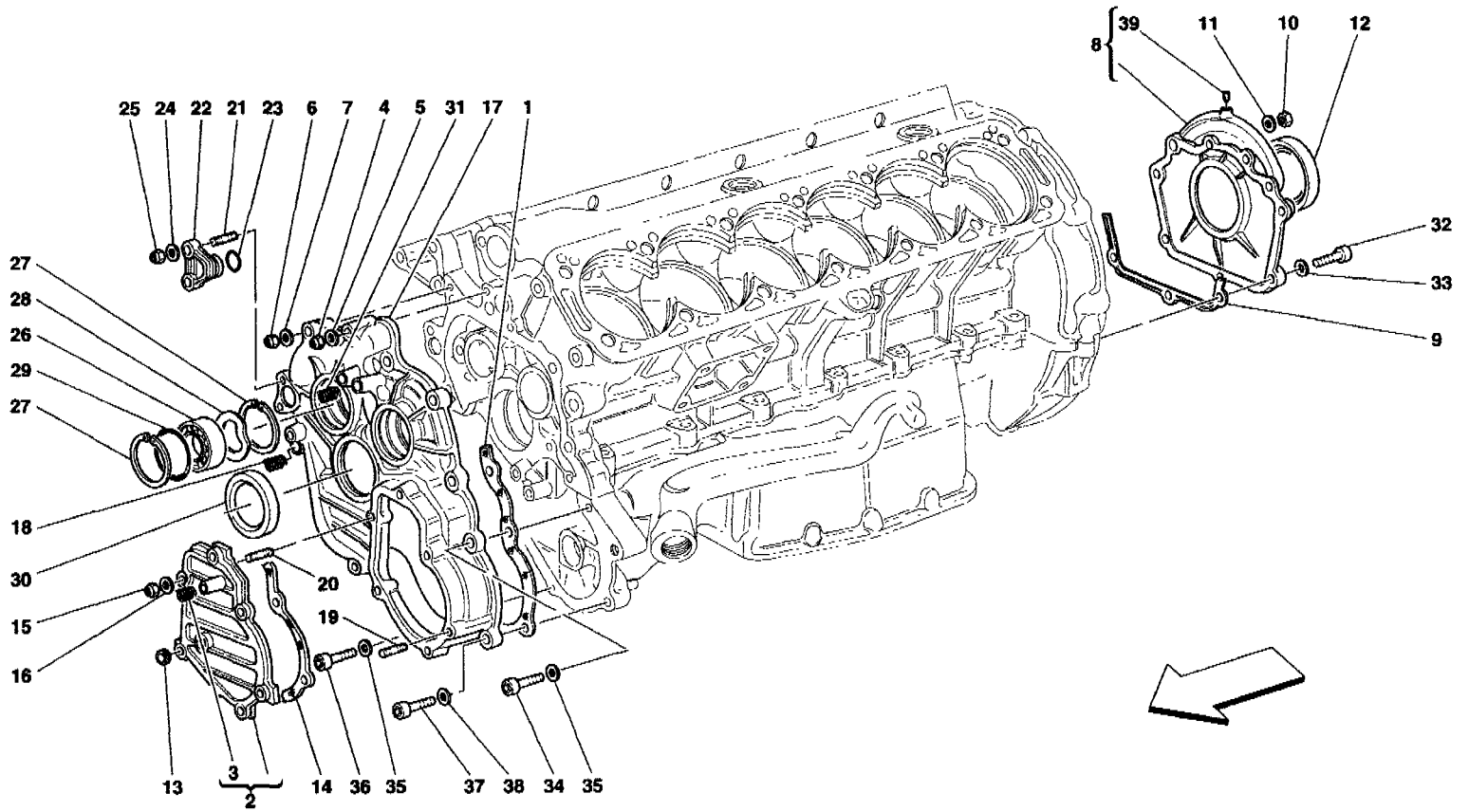
Soluzione superata
Old solution

612 SCAGLIETTI - 1 - CRANKCASE

*	207202	1	COMPLETE CRANKCASE
1	190532	1	ENGINE BASE-PLATE -With the complete crankcase-
2	171177	2	BEARING
3	170749	12	PISTONS COOLING NOZZLE
4	143856	12	O.R. GASKET
5	14303021	12	SCREW
6	12601074	12	WASHER
7	13526170	3	THREADED INSERT
8	13972234	1	STUD
9	140591	28	STUD
10	163121	4	DOWEL
11	13541224	1	STUD
12	13543924	1	STUD
13	13543524	1	STUD
14	13541924	1	STUD
15	13541724	1	STUD
16	13543424	1	STUD
17	13543824	1	STUD
18	100041	2	DOWEL
19	13517224	2	STUD
20	13543924	2	STUD
21	13543824	3	STUD
22	102704	2	DOWEL
23	13541024	2	STUD
24	13541224	2	STUD
25	103038	2	DOWEL
26	13546524	8	STUD
27	10268450	2	THREADED PLUG
28	14325540	2	THREADED PLUG
29	10275550	3	THREADED PLUG
30	13525870	2	THREADED INSERT
31	200988	2	THREADED PLUG
32	10280060	2	GASKET
33	180387	12	CYLINDER LINER
34	140321	12	GASKET
35	10304640	1	THREADED PLUG
36	10264560	1	GASKET
37	134232	1	O.R. GASKET
38	151160	1	OIL PRESSURE RELIEF VALVE
39	180263	14	STUD
40	13525770	2	THREADED INSERT
41	185302	1	FRONT CAP -With complete crankcase-
42	185303	5	INTERMEDIATE CAP -With complete crankcase-
43	185304	1	REAR CAP -With complete crankcase-
44	125317	14	DOWEL
45	103842	14	WASHER
46	103841	14	NUT
47	13525570	2	THREADED INSERT
48	13525570	1	THREADED INSERT
49	195430	1	ENGINE FIXING L.H. SUPPORT
49	195429	1	ENGINE FIXING R.H. SUPPORT
50	133988	8	NUT
51	11190574	8	WASHER
52	185558	2	GASKET
53	196746	2	FLEXIBLE PAD
54	187740	2	SENSOR FOR FIRING -L=550-
55	187739	2	SENSOR FOR FIRING -L=300-
56	11599524	2	SCREW
57	13550521	2	WASHER
58	127498	2	WASHER
59	166798	8	SCREW
60	16043834	4	SCREW

61	11198074	4	WASHER
62	140664	28	NUT
63	140603	28	WASHER
64	14496624	4	WASHER
65	127497	4	WASHER
66	199641	2	BRACKET FOR FULL BUMP POSISION PAD
67	169136	1	INJECTION CABLE SSUPPORTING BRACKET -Valid till engine Nr. 86179- -Not as spare part- -Replaced by 212777-
67	212777	1	INJECTION CABLE SSUPPORTING BRACKET -Valid from engine Nr. 86180-

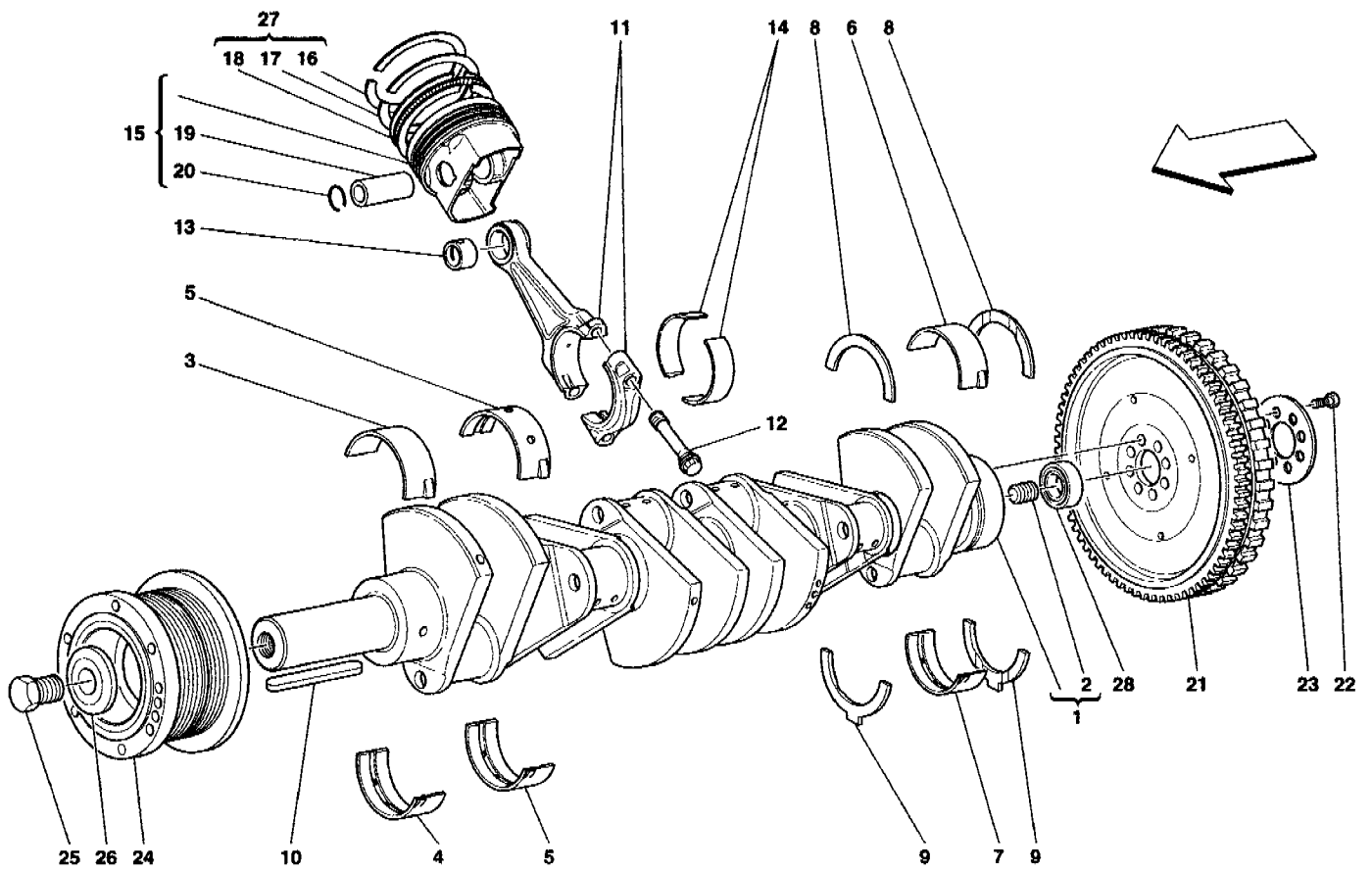
612 SCAGLIETTI - 2 - CRANKCASE - COVERS



612 SCAGLIETTI - 2 - CRANKCASE - COVERS

1	154527	1	GASKET
2	157120	1	FRONT COVER
3	13525570	1	THREADED INSERT
4	101139	4	NUT
5	12601374	4	WASHER
6	102741	3	NUT
7	12601274	3	WASHER
8	141343	1	REAR COVER
9	141291	1	GASKET
10	15896214	4	NUT
11	12620474	4	WASHER
12	200323	1	GASKET
13	10269550	1	THREADED PLUG
14	157121	1	GASKET
15	102741	6	NUT
16	12601274	6	WASHER
17	157119	1	FRONT COVER
18	13525470	1	THREADED INSERT
19	13541024	5	STUD
20	13540824	1	STUD
21	13541024	1	STUD
22	151159	1	PLUG
23	109724	1	GASKET
24	12601274	1	WASHER
25	102741	1	NUT
26	170787	2	BEARING
27	11060576	4	FLEXIBLE RING
28	133377	2	WASHER
29	136140	2	GASKET
30	134714	1	GASKET
31	13525570	2	THREADED INSERT
32	14305424	3	SCREW
33	11197774	3	WASHER
34	14305424	2	SCREW
35	11197774	4	WASHER
36	14306024	2	SCREW
37	14306524	2	SCREW
38	11193874	2	WASHER
39	10275550	1	THREADED PLUG

612 SCAGLIETTI - 3 - DRIVING SHAFT - CONNECTING RODS AND PISTONS

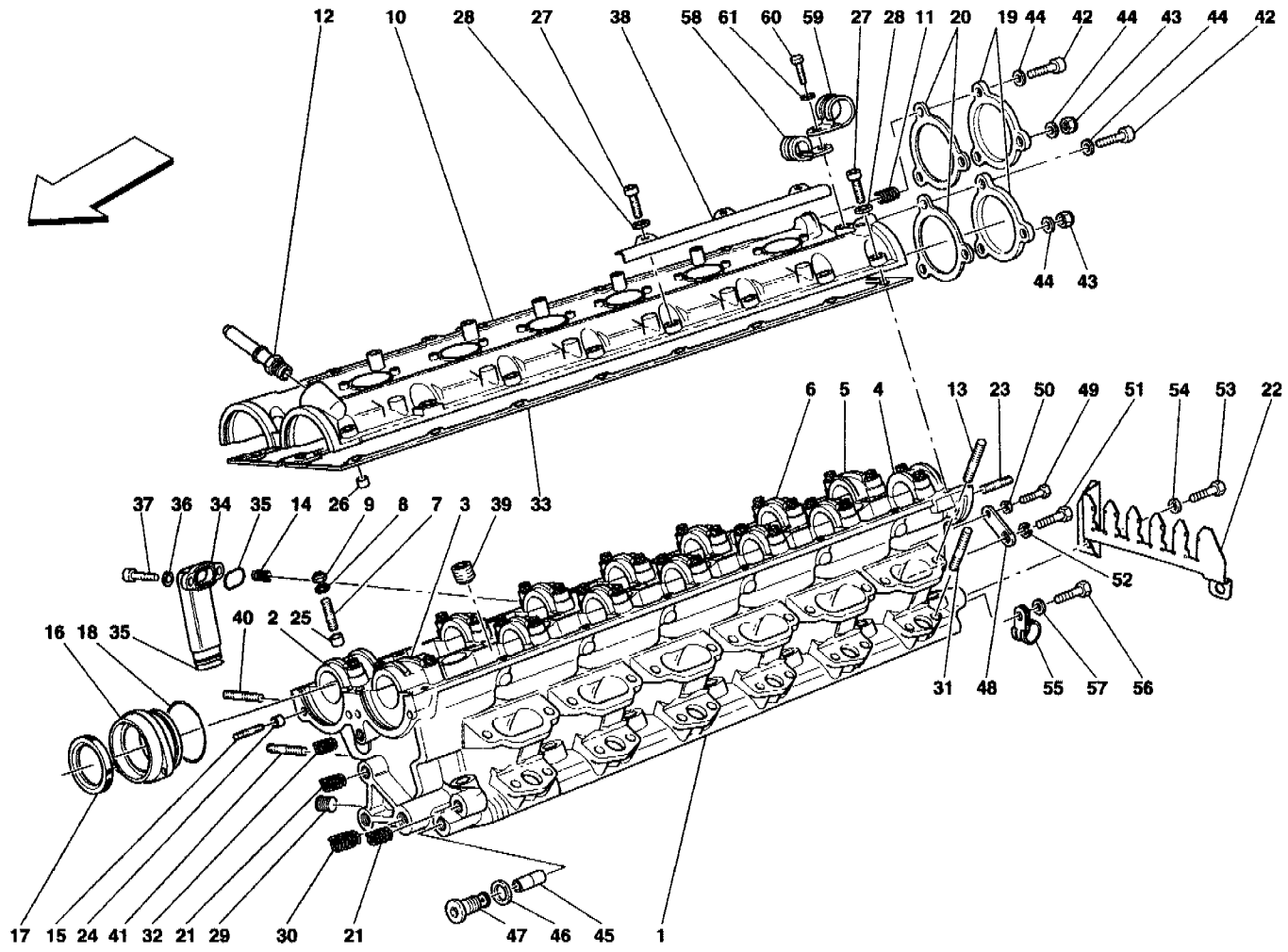


612 SCAGLIETTI - 3 - DRIVING SHAFT - CONNECTING RODS AND PISTONS

1	182735	1	CRANKSHAFT
2	176396	1	THREADED PLUG
3	194251	1	HALF-BEARINGS COMPLETE SERIES -NOMINAL- -Red-
3	173485	1	HALF-BEARINGS COMPLETE SERIES -1 st UNDERSIZE mm. 0,254-
3	173486	1	HALF-BEARINGS COMPLETE SERIES -2 nd UNDERSIZE mm. 0,508-
3	-	1	UPPER FRONT HALF BEARING -With complete serie-
4	-	1	LOWER FRONT HALF BEARING -With complete serie-
5	-	10	INTERMEDIATE FRONT HALF BEARING -With complete serie-
6	-	1	UPPER REAR HALF BEARING -With complete serie-
7	-	1	UPPER REAR HALF BEARING -With complete serie-
8	164111	2	UPPER SHIM -Not as spare part- -With the half-bearings complete series-
8	164112	2	UPPER SHIM -1 st OVERSIZE mm. 0,127- -Not as spare part- -With the half-bearings complete series-
8	164113	2	UPPER SHIM -2 nd OVERSIZE mm. 0,254- -Not as spare part- -With the half-bearings complete series-
9	164108	2	LOWER SHIM -Not as spare part- -With the half-bearings complete series-
9	164109	2	LOWER SHIM -1 st OVERSIZE mm. 0,127- -Not as spare part- -With the half-bearings complete series-
9	164110	2	LOWER SHIM -2 nd OVERSIZE mm. 0,254- -Not as spare part- -With the half-bearings complete series-
10	144876	1	KEY
11	184426	12	COMPLETE CONNECTING ROD AND CAP
11	-	12	CONNECTING ROD WITH CAP -With the assembly complete connecting rod and cap-
12	177159	24	CONNECTING ROD TIGHTENING SCREW
13	184909	12	BUSHING
14	173550	24	CONNECTING ROD HALF BEARING -Red-
15	189515	12	PISTON WITH RINGS
16	180445	12	SEAL RING -1st groove- -With complete series 194252-
17	180446	12	SEAL RING -2nd groove- -With complete series 194252-
18	180447	12	OIL SCRAPING RING -3rd groove- -With complete series 194252-
19	154717	12	PIN
20	189521	24	STOP RING -Not as spare part- -Replaced by 178890-
20	178890	24	STOP RING

21	193051	1	ENGINE FLYWHEEL
22	103875	8	SCREW
23	103876	1	WASHER
24	168565	1	TORSION DAMPER
25	140925	1	SCREW
26	140922	1	WASHER
27	194252	12	PISTONS RINGS SET
28	103877	1	BEARING FOR SHAFT

612 SCAGLIETTI - 4 - R.H. CYLINDER HEAD

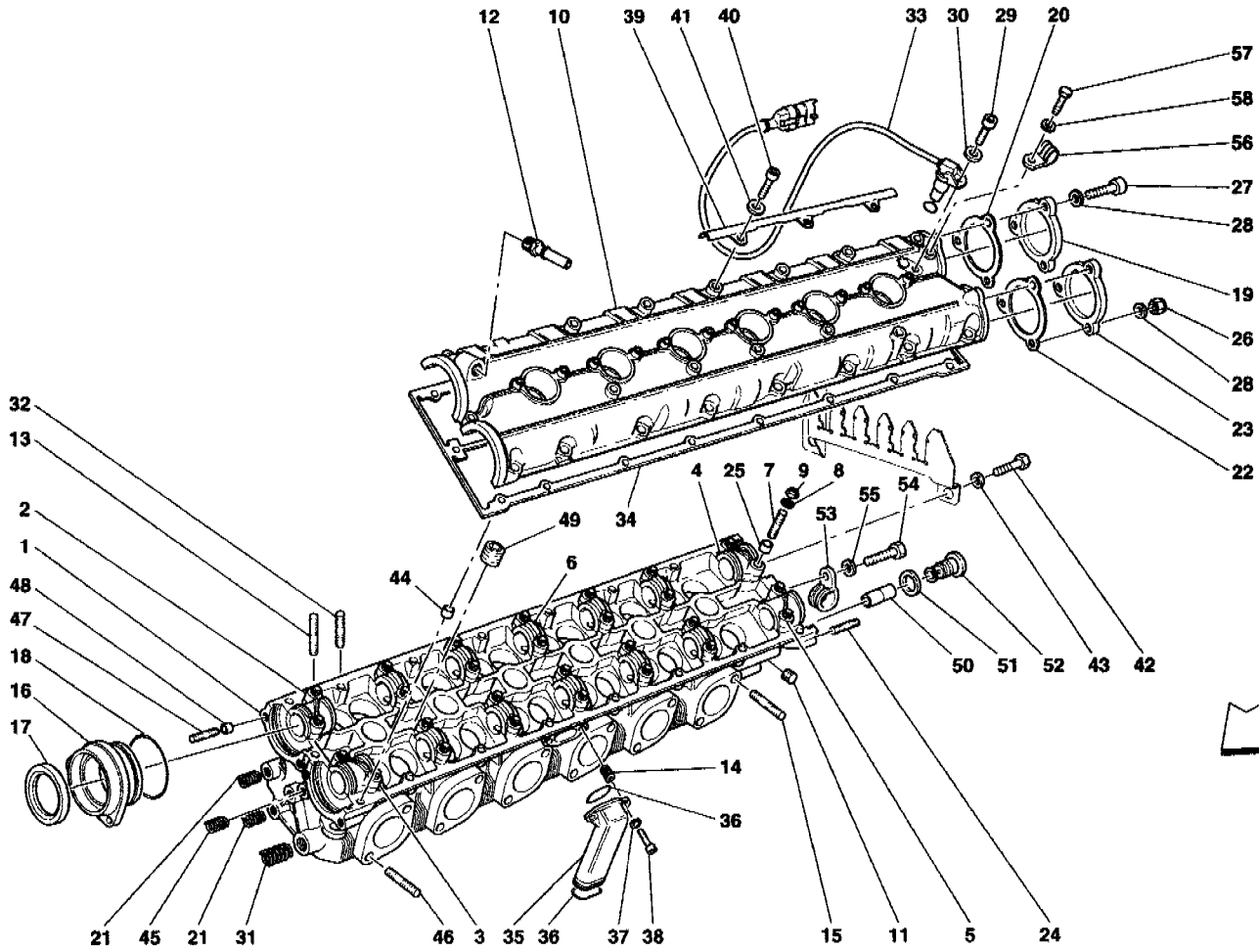


612 SCAGLIETTI - 4 - R.H. CYLINDER HEAD

*	207839	1	COMPLETE R.H. CYLINDERS HEAD
1	204150	1	R.H. HEAD
2	154203	1	-With complete cylinder head- RIGHT FRONT CAP
3	154205	1	-With complete cylinder head- LEFT FRONT CAP
4	154204	1	-With complete cylinder head- LEFT REAR CAP
5	154206	1	-With complete cylinder head- RIGHT REAR CAP
6	154207	10	-With complete cylinder head- INTERMEDIATE CAP
7	13541424	28	-With complete cylinder head- STUD
8	11197774	28	WASHER
9	15896214	28	NUT
10	198890	1	R.H. CYLINDERS HEAD COVER
11	13525570	1	-With complete cylinder head- THREADED INSERT
12	198904	1	THREADED UNION
13	13541124	12	STUD
14	13525170	2	THREADED INSERT
15	13539324	4	STUD
			-Not as spare part-
			-Replaced by 13539424-
15	13539424	4	STUD
16	182409	2	FRONT COVER
17	163987	2	GASKET
18	158349	2	O.R. GASKET
19	182126	2	REAR SMALL COVER
20	182127	2	COVER GASKET
21	13525770	6	THREADED INSERT
22	196202	1	CONNECTOR SUPPORTING BRACKET
23	13541124	4	STUD
24	182434	4	CENTERING DOWEL
25	102725	28	CENTERING DOWEL
26	102725	2	CENTERING DOWEL
27	156834	18	SCREW
28	12601274	18	WASHER
29	14326101	1	PLUG
30	13524670	2	THREADED INSERT
31	11500224	12	STUD
32	13525470	2	THREADED INSERT
33	182931	1	COVER GASKET
34	154647	1	OIL EXHAUST DUCTING
35	142599	2	O.R. GASKET
36	12601174	2	WASHER
37	14304224	2	SCREW
38	182703	1	CABLES SUPPORTING BRACKET
39	127635	4	THREADED PLUG
40	13516824	8	STUD
41	13517024	4	STUD
42	14432224	2	SCREW
43	102948	4	NUT
44	12604274	6	WASHER
45	156862	1	NONRETURN VALVE
46	10298460	1	GASKET
47	163714	1	PLUG
48	200898	1	SMALL PLATE
49	10902124	1	SCREW
50	12601274	1	WASHER
51	16043124	1	SCREW
52	127496	1	WASHER
53	16043124	1	SCREW
54	127496	1	WASHER
55	145661	1	BRACKET WITH SHEATH
56	16043124	1	SCREW

57	127496	1	WASHER
58	10441790	1	BRACKET WITH SHEATH
59	10441990	1	BRACKET WITH SHEATH
60	10902024	1	SCREW
61	12601274	1	WASHER

812 SCAGLIETTI - 5 - L.H. CYLINDER HEAD

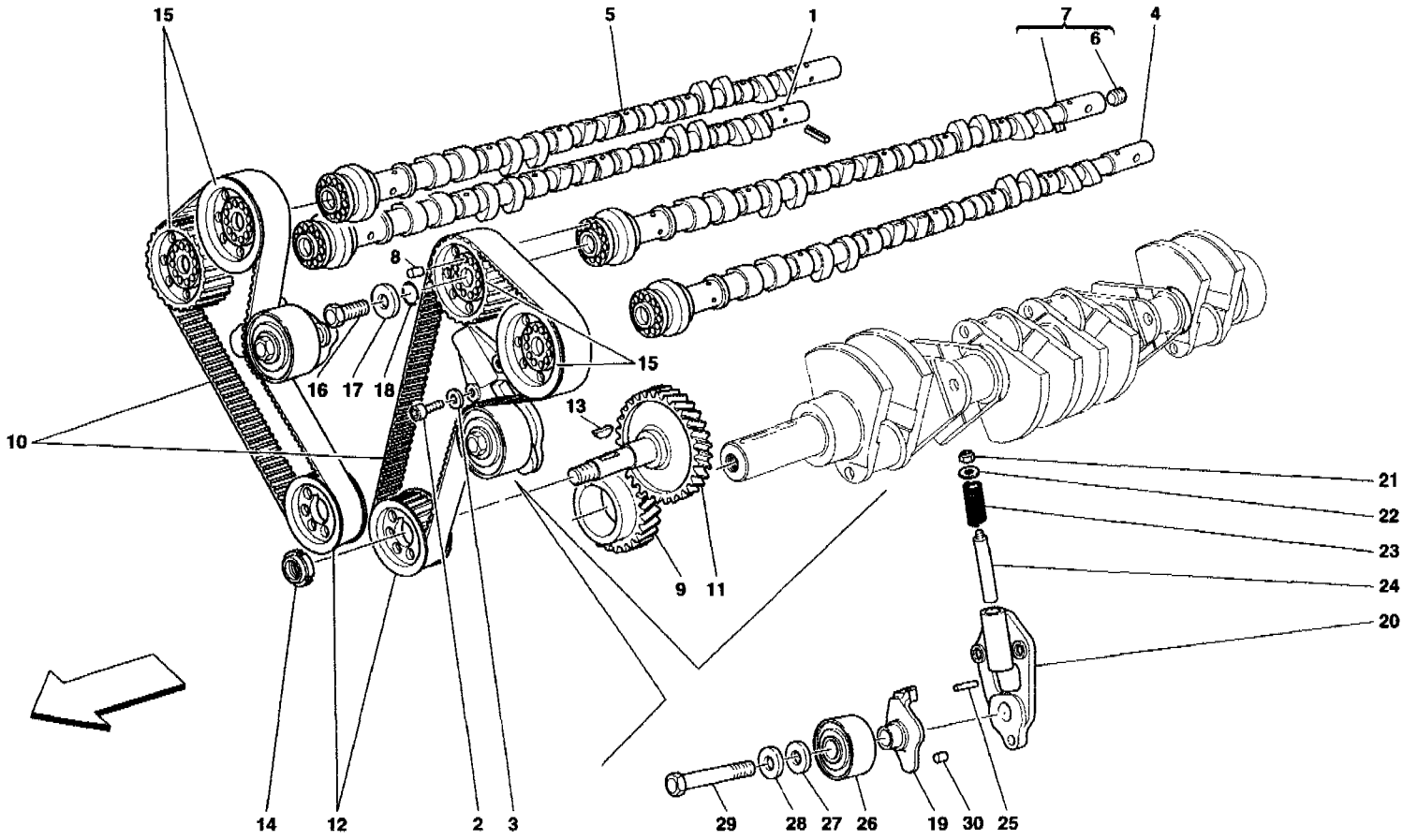


612 SCAGLIETTI - 5 - L.H. CYLINDER HEAD

*	207840	1	COMPLETE L.H. CYLINDERS HEAD
1	204151	1	L.H. HEAD
2	154203	1	-With complete cylinder head- RIGHT FRONT CAP
3	154205	1	-With complete cylinder head- LEFT FRONT CAP
4	154206	1	-With complete cylinder head- RIGHT REAR CAP
5	154204	1	-With complete cylinder head- LEFT REAR CAP
6	154207	10	-With complete cylinder head- INTERMEDIATE CAP
7	13541424	28	-With complete cylinder head- STUD
8	11197774	28	WASHER
9	15896214	28	NUT
10	198891	1	L.H. CYLINDERS HEAD COVER
11	14326101	1	-With complete cylinder head- PLUG
12	198904	1	THREADED UNION
13	13541124	12	STUD
14	13525170	2	THREADED INSERT
15	13516824	8	STUD
16	182409	2	FRONT COVER
17	163987	2	GASKET
18	158349	2	O.R. GASKET
19	182126	1	REAR SMALL COVER
20	182127	1	COVER GASKET
21	13525770	6	THREADED INSERT
22	182406	1	COVER GASKET
23	182407	1	REAR SMALL COVER
24	13541124	4	STUD
25	102725	28	CENTERING DOWEL
26	102948	4	NUT
27	14432224	2	SCREW
28	12604274	6	WASHER
29	14305724	1	SCREW
30	12601274	1	WASHER
31	13524670	2	THREADED INSERT
32	11500224	12	STUD
33	183842	1	COMPLETE PHASE SENSOR
34	182931	1	COVER GASKET
35	154647	1	OIL EXHAUST DUCTING
36	142599	2	O.R. GASKET
37	12601174	2	WASHER
38	14304224	2	SCREW
39	182703	1	CABLES SUPPORTING BRACKET
40	156834	18	SCREW
41	12601274	18	WASHER
42	16043124	1	SCREW
43	127496	1	WASHER
44	102725	2	CENTERING DOWEL
45	13525470	2	THREADED INSERT
46	13517024	4	STUD
47	13539324	4	STUD
			-Not as spare part-
			-Replaced by 13539424-
47	13539424	4	STUD
48	182434	4	CENTERING DOWEL
49	127635	4	THREADED PLUG
50	156862	1	NONRETURN VALVE
51	10298460	1	GASKET
52	163714	1	PLUG
53	10450690	1	BRACKET WITH SHEATH
54	16043124	1	SCREW
55	127496	1	WASHER
56	10441790	1	BRACKET WITH SHEATH

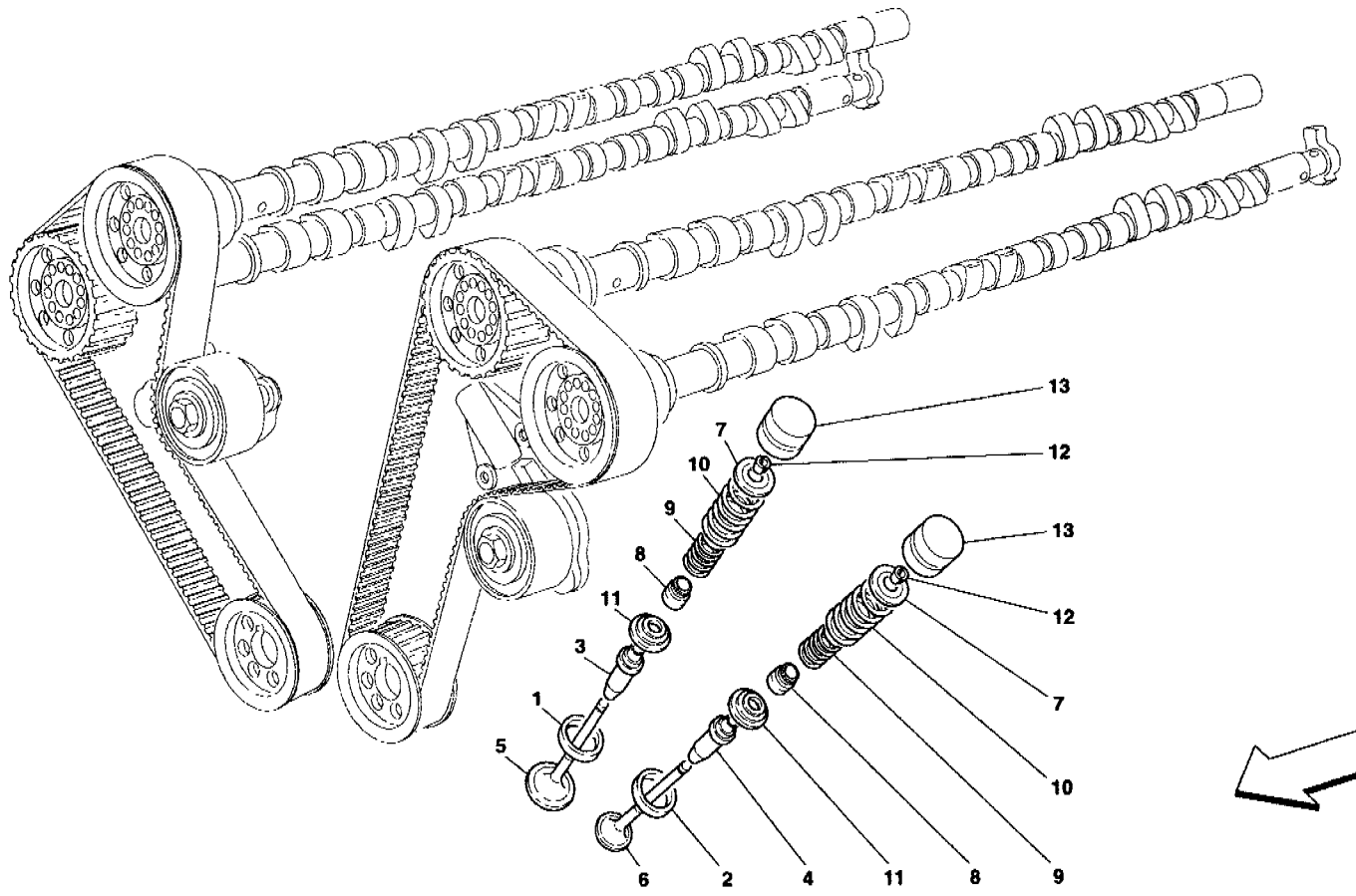
57	10902024	1	SCREW
58	12601274	1	WASHER

612 SCAGLIETTI - 6 - TIMING - CONTROLS



612 SCAGLIETTI - 6 - TIMING - CONTROLS

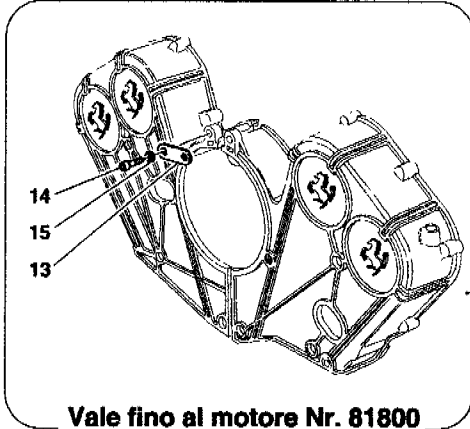
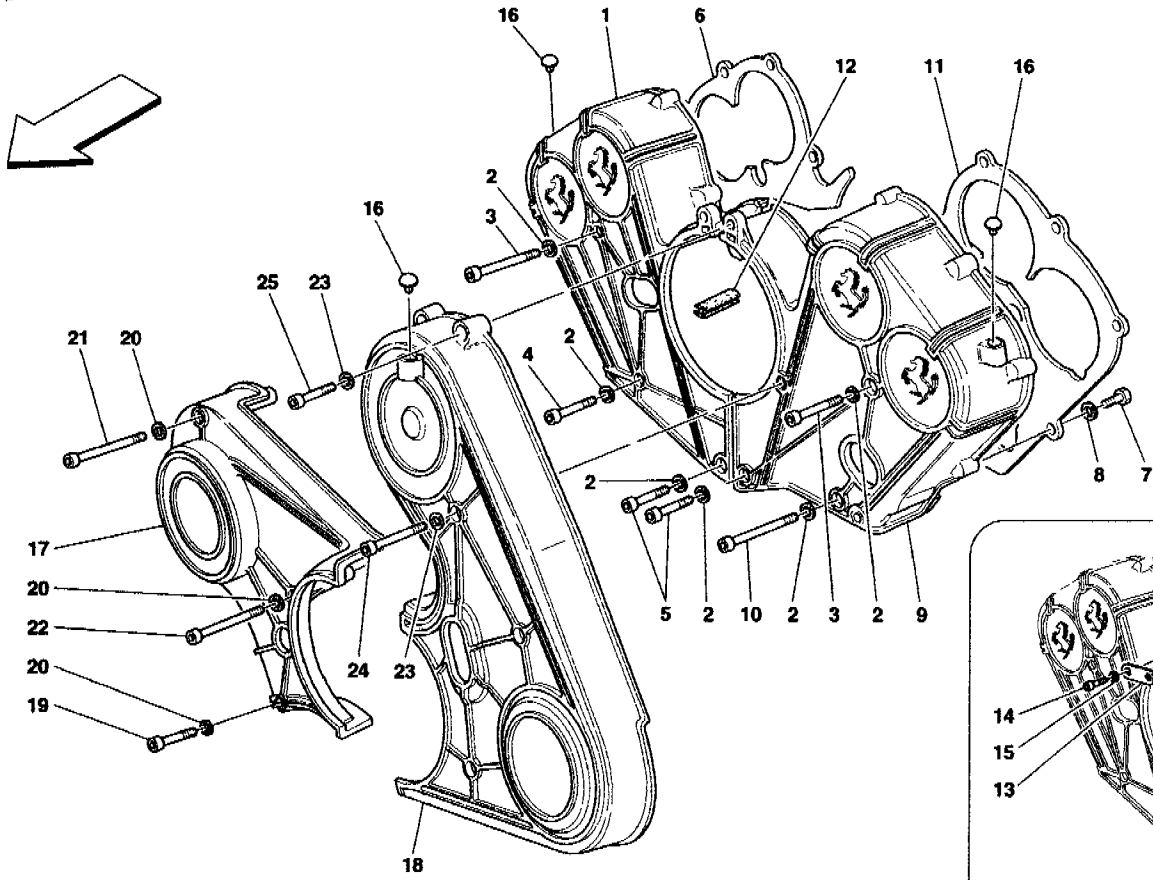
1 *	184688	1	COMPLETE R.H. EXHAUST CAM SHAFT -Valid till stock exhaustion-
1	208371	1	COMPLETE R.H. EXHAUST CAM SHAFT
2	14306424	4	SCREW
3	11193874	4	WASHER
4	184692	1	COMPLETE L.H. EXHAUST CAM SHAFT -Valid till stock exhaustion-
4	208373	1	COMPLETE L.H. EXHAUST CAM SHAFT
5	184686	1	COMPLETE R.H. INDUCTION DISTRIBUTION CAM SHAFT -Valid till stock exhaustion-
5	208369	1	COMPLETE R.H. INDUCTION DISTRIBUTION CAM SHAFT
6	10269550	3	THREADED PLUG
7	184690	1	COMPLETE L.H. INDUCTION DISTRIBUTION CAM SHAFT -Valid till stock exhaustion-
7	208372	1	COMPLETE L.H. INDUCTION DISTRIBUTION CAM SHAFT
8	114803	4	DOWEL
9	168702	1	DRIVING GEAR
10	187744	2	TIMING CONTROL BELT
11	168701	2	DRIVEN GEAR
12	149928	2	CONTROL TIMING GEAR
13	10206320	2	DISC KEY
14	104919	2	RING NUT
15	159382	4	DRIVEN GEAR
16	146540	4	SCREW
17	114802	4	WASHER
18	114808	4	O.R. GASKET
19	171060	2	PLATE
20	149346	2	BELT TIGHTENER BODY
21	102948	2	NUT
22	121558	2	WASHER
23	121249	2	SPRING FOR BELT STRETCHER
24	121047	2	PIN
25	13933570	2	PIN
26	171057	2	PULLEY FOR BELT TIGHTENING
27	111460	2	SPACER
28	102824	2	WASHER
29	149461	2	SCREW
30	125717	2	DOWEL



612 SCAGLIETTI - 7 - TIMING - VALVES

1	174122	24	INTAKE VALVE SEAT
2	174121	24	EXHAUST VALVE SEAT
3	188630	24	SUCTION VALVE GUIDE
3	183781	24	INTAKE VALVE GUIDE OVERSIZED
4	188631	24	EXHAUST VALVE GUIDE
4	176194	24	EXHAUST VALVE GUIDE OVERSIZE
5	167157	24	INTAKE VALVE
6	167158	24	EXHAUST VALVE
7	191232	48	UPPER SPACER
8	145785	48	OIL RING FOR VALVE GUIDE
9	191252	48	INNER SPRING
10	191251	48	OUTER SPRING
11	183779	48	LOWER SPACER
11	188651	48	OVERSIZED LOWER CUP
12	167170	96	COTTER FOR VALVE SPRING CUP
13	166572	48	HYDRAULIC TAPPET FOR VALVE CONTROL

612 SCAGLIETTI - 8 - ENGINE COVERS

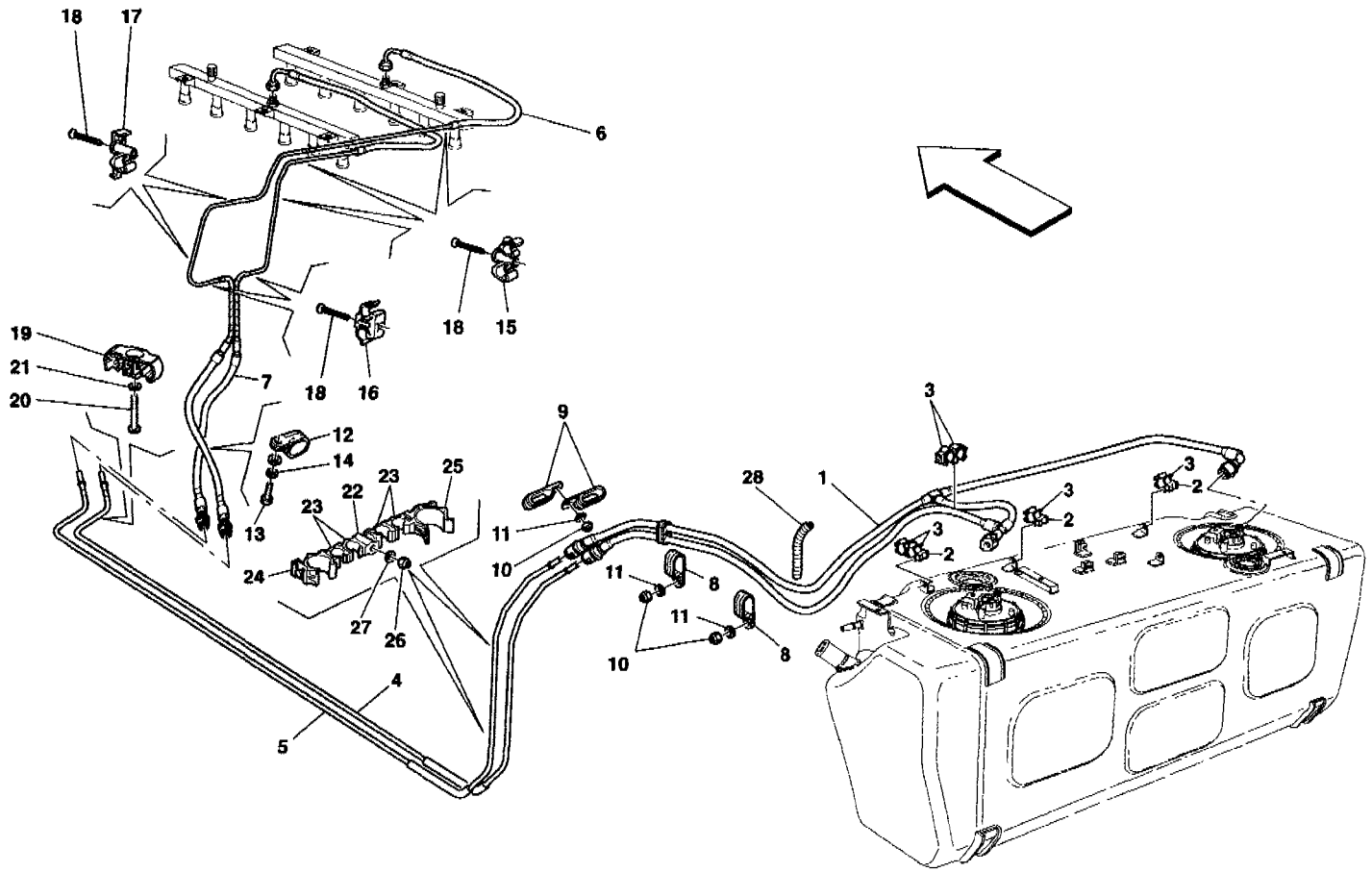


Vale fino al motore Nr. 81800
Valid till engine Nr. 81800

612 SCAGLIETTI - 8 - ENGINE COVERS

1	155422	1	R.H. COVER
2	12604274	6	WASHER
3	156829	2	SCREW
4	156828	1	SCREW
5	156830	2	SCREW
6	155819	1	R.H. PROTECTION
7	10977724	11	SCREW
8	12637824	11	WASHER
9	155479	1	L.H. COVER
10	156839	1	SCREW
11	155820	1	L.H. PROTECTION
12	156786	1	GASKET
13	199119	1	SMALL PLATE
14	198312	2	-Valid till engine Nr. 81800- SCREW
15	12604274	2	-Valid till engine Nr. 81800- WASHER
16	199118	2	-Valid till engine Nr. 81800- FIXING BUTTON
17	209853	1	-Q. ty 3 from engine 81801- GUARD FOR BELT PROTECTION
18	155576	1	-Valid from engine Nr. 81801- GUARD FOR BELT PROTECTION
19	156830	1	-Valid from engine Nr. 81801- SCREW
20	12604274	3	-Valid from engine Nr. 81801- WASHER
21	156829	1	-Valid from engine Nr. 81801- SCREW
22	156832	1	-Valid from engine Nr. 81801- SCREW
23	12604274	5	-Valid from engine Nr. 81801- WASHER
24	156831	2	-Valid from engine Nr. 81801- SCREW
25	156830	2	-Valid from engine Nr. 81801- SCREW

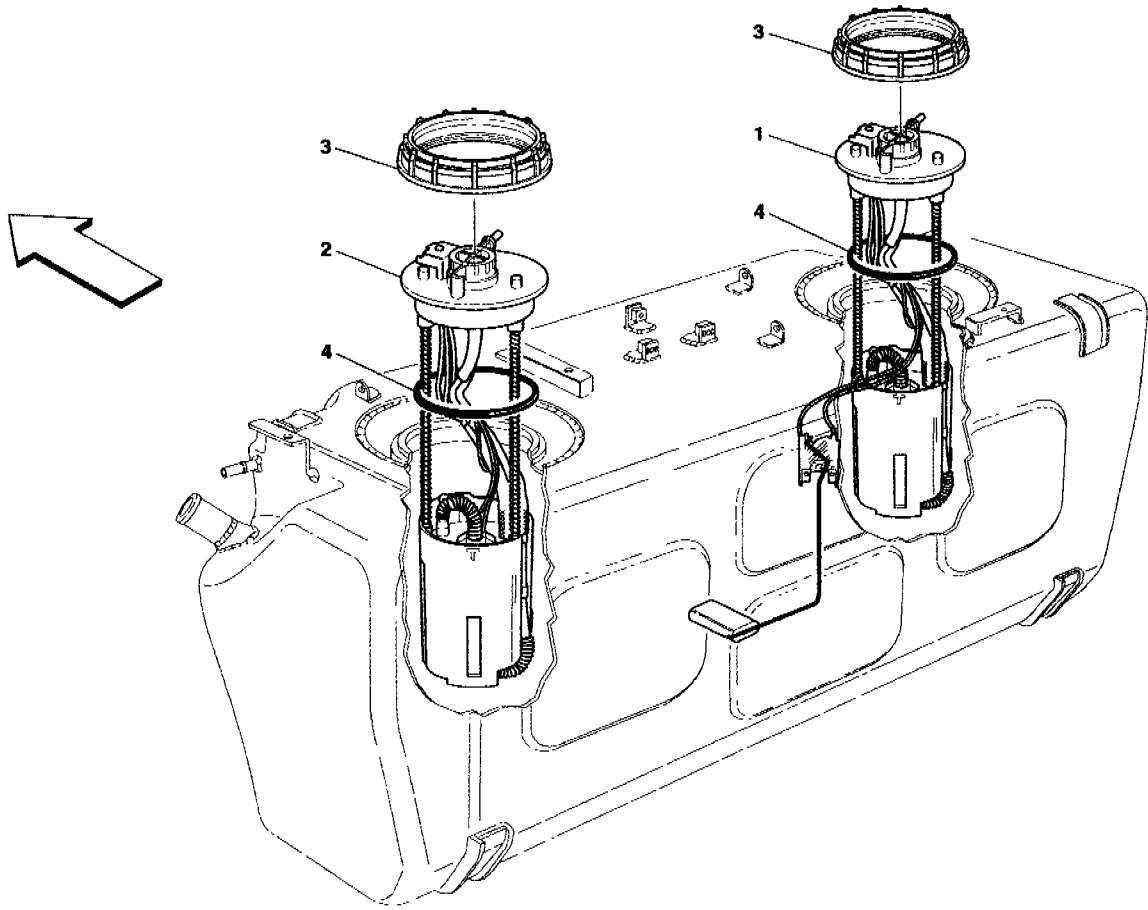
612 SCAGLIETTI - 9 - FUEL SUPPLY SYSTEM



612 SCAGLIETTI - 9 - FUEL SUPPLY SYSTEM

1*	194817	1	PUMPS CONNECTION PIPE
2	140162	3	ANCHORAGE FOR CLIP
3	140727	6	CLIP
4	203518	1	R.H. UNDER FLOOR RIGID PIPE
5	203517	1	L.H. UNDER FLOOR RIGID PIPE
6	205808	1	FUEL DELIVERY R.H. TUBE
6	207019	1	-Not for GD- FUEL DELIVERY R.H. TUBE
6	213547	1	-Valid for GD- -Valid till stock exhaustion- FUEL DELIVERY R.H. TUBE
7	205807	1	-Valid for GD- FUEL DELIVERY L.H. TUBE
7	207020	1	-Not for GD- FUEL DELIVERY L.H. TUBE
7	213548	1	-Valid for GD- -Valid till stock exhaustion- FUEL DELIVERY L.H. TUBE
8	10441390	2	BRACKET WITH SHEATH
9	61712500	2	BRACKET WITH SHEATH
10	102948	4	NUT
11	14499324	4	WASHER
12	10441190	1	BRACKET WITH SHEATH
13	10902024	1	SCREW
14	12604274	1	WASHER
15	186950	3	CLIP
16	141699	2	CLIP
17	187840	2	CLIP
18	14441024	7	SCREW
19	205822	1	CLIP
20	15210824	1	SCREW
21	12544079	1	WASHER
22	140162	2	ANCHORAGE FOR CLIP
23	141546	8	CLIP
24	140727	1	CLIP
25	140730	1	CLIP
26	169180	2	NUT
27	12637824	2	WASHER
28	65758400	1	GASKET

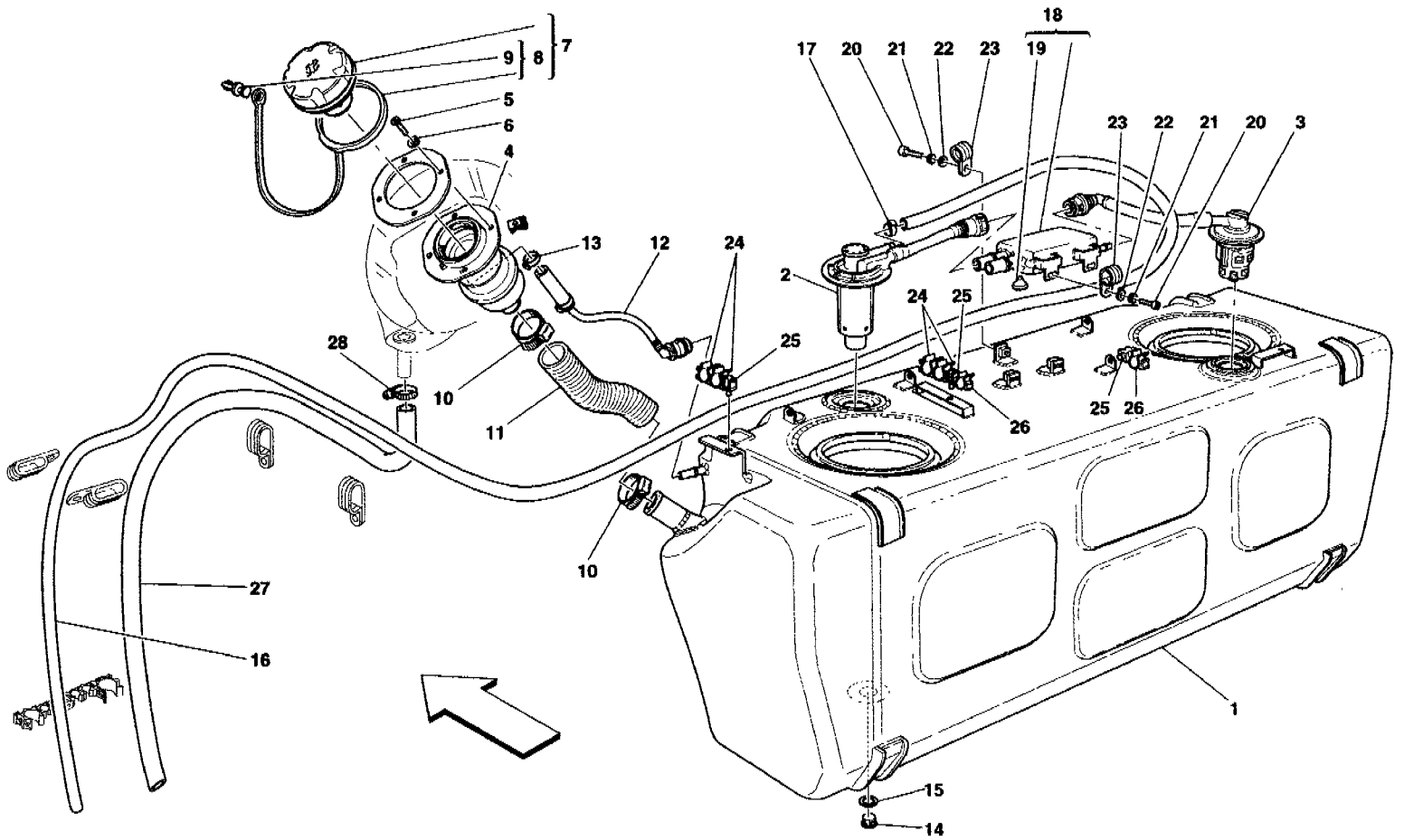
612 SCAGLIETTI - 10 - FUEL PUMP



612 SCAGLIETTI - 10 - FUEL PUMP

1	181204	1	R.H. COMPLETE FUEL PUMP AND FUEL LEVEL INDICATOR CONTROL
2	181205	1	L.H. COMPLETE FUEL PUMP
3	181682	2	RING NUT
4	181681	2	GASKET

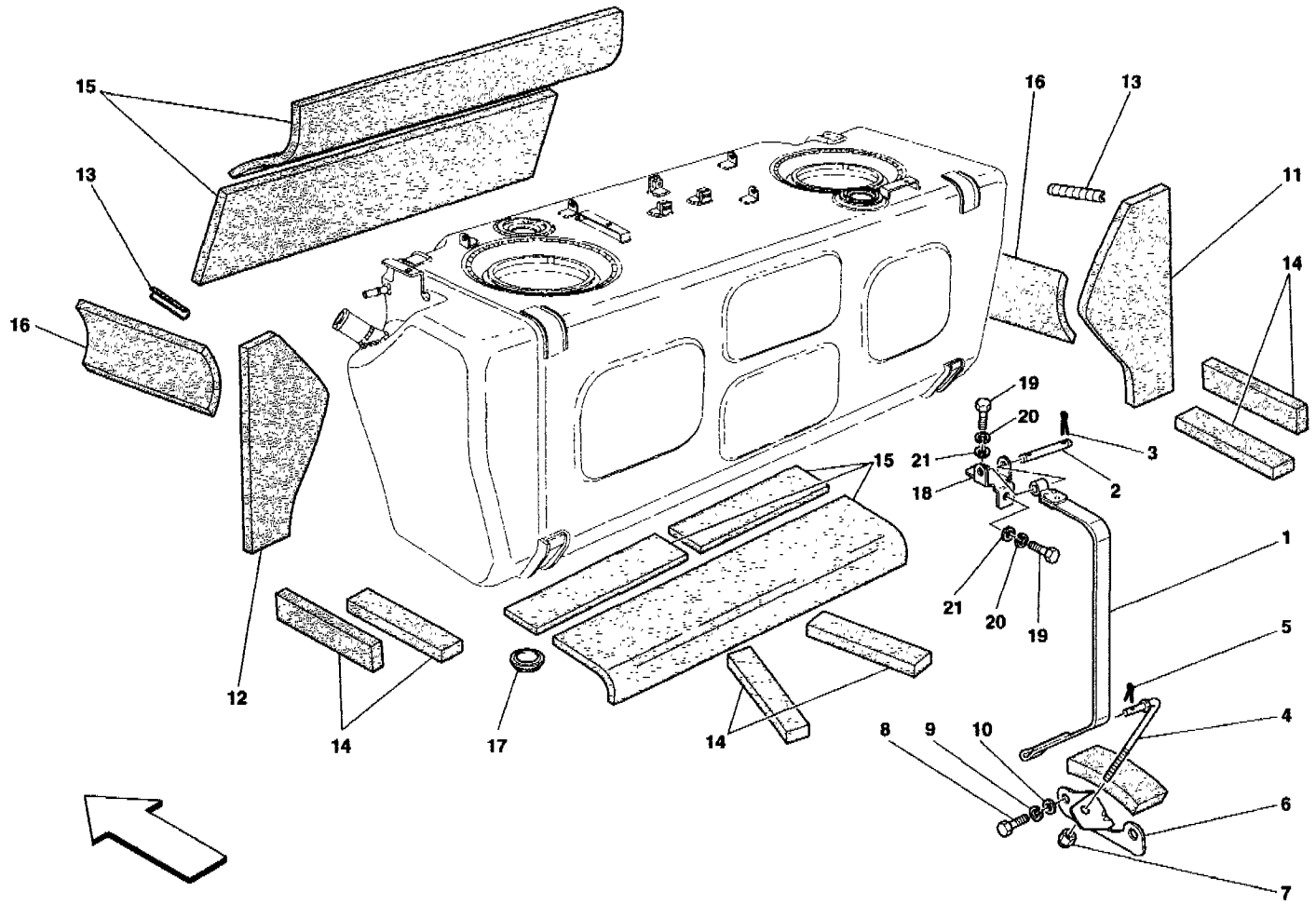
612 SCAGLIETTI - 11 - FUEL TANK - UNION AND PIPING



612 SCAGLIETTI - 11 - FUEL TANK - UNION AND PIPING

1	191486	1	FUEL TANK
2	187549	1	MULTIFUNCTIONAL VALVE
3	187550	1	TANK VENTILATION VALVE
4	183431	1	UNION
5	63343400	4	SCREW
6	12642878	4	WASHER
7	190469	1	TANK PLUG
8	196949	1	RING
9	186172	1	RETAINER
10	170127	2	COLLAR FOR SLEEVE
11	190670	1	UNION-TANK CONNECTING PIPE
12	193703	1	VAPOR RECYCLE PIPE
13	13432070	1	COLLAR FOR SLEEVE
14	148045	1	FUEL OUTLET PLUG
15	123622	1	GASKET
16	205953	1	RUBBER HOSE
17	13434670	1	COLLAR FOR SLEEVE
18	191495	1	DISAREATOR
19	14622387	1	PLUG
20	14305224	3	SCREW
21	10569274	3	WASHER
22	12644404	3	WASHER
23	10441490	3	BRACKET WITH SHEATH
24	140727	4	FIXING CLIP
25	140162	3	ANCHORAGE FOR CLIP
26	145543	2	CLIP
27	208642	1	PIPE
28	161490	1	SCREW COLLAR

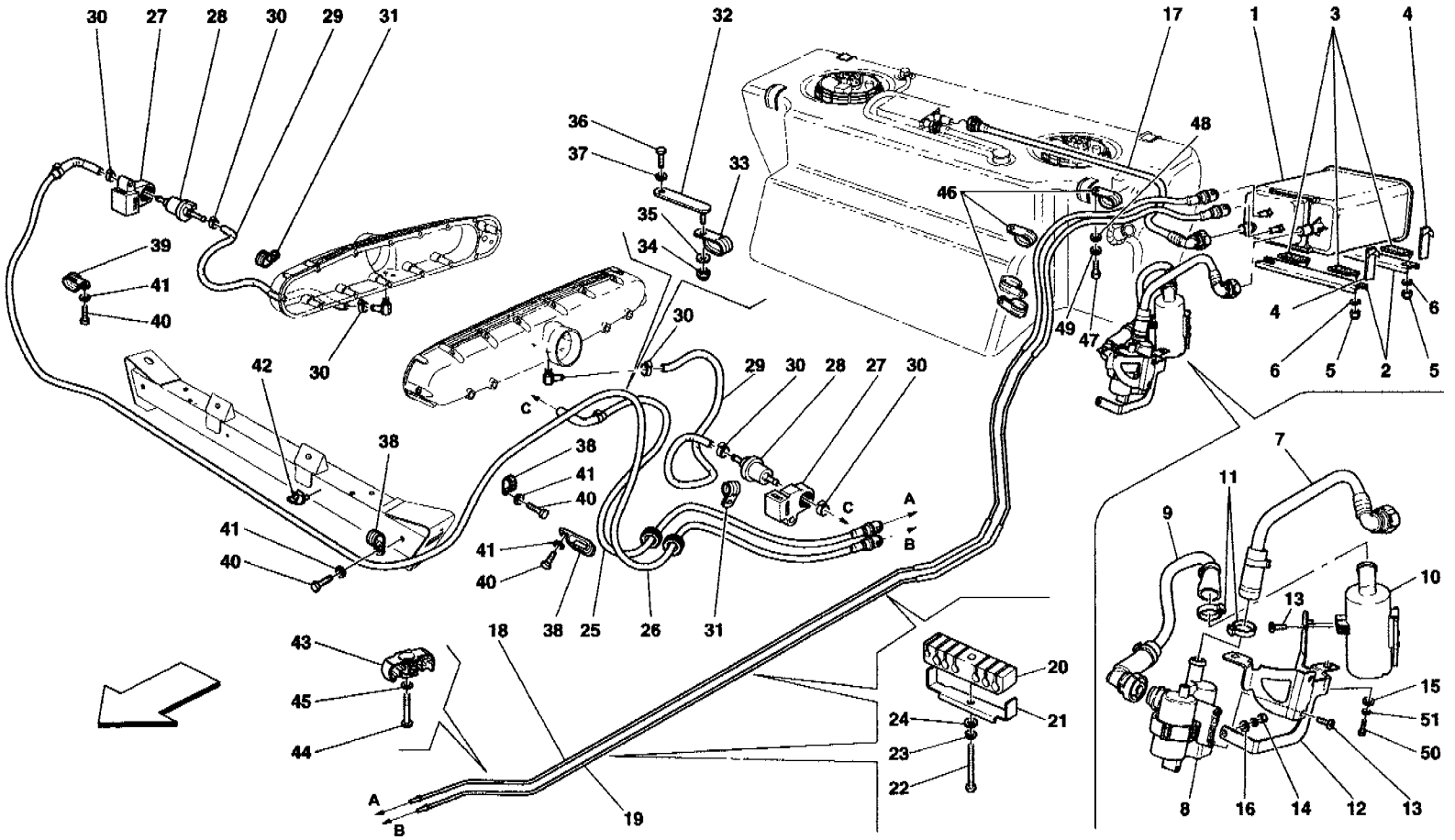
612 SCAGLIETTI - 12 - FUEL TANK INSULATION AND PROTECTION



612 SCAGLIETTI - 12 - FUEL TANK -INSULATION AND PROTECTION

1	194996	2	FUEL TANK FASTENER
2	203503	2	PIN
3	10796440	4	SPLIT PIN
4	127529	2	THREADED TIE ROD
			-Not as spare part-
			-Replaced by 213177-
4	213177	2	THREADED TIE ROD
5	10796440	2	SPLIT PIN
6	195708	1	R.H. BRACKET
6	195709	1	L.H. BRACKET
7	104030	2	NUT
8	16043424	4	SCREW
9	14499401	4	WASHER
10	127496	4	WASHER
11	199022	1	R.H. RUBBER THICKNESS
12	199023	1	L.H. RUBBER THICKNESS
13	65758400	2	ZAGATO GASKET
14	199269	6	LOWER RUBBER THICKNESS
15	199449	4	RUBBER THICKNESS
16	199268	2	L.H./R.H. RUBBER THICKNESS
17	14506987	2	PLUG
18	193487	2	TANK SUPPORT BRACKET
19	16043424	4	SCREW
20	127496	4	WASHER
21	14499401	4	WASHER

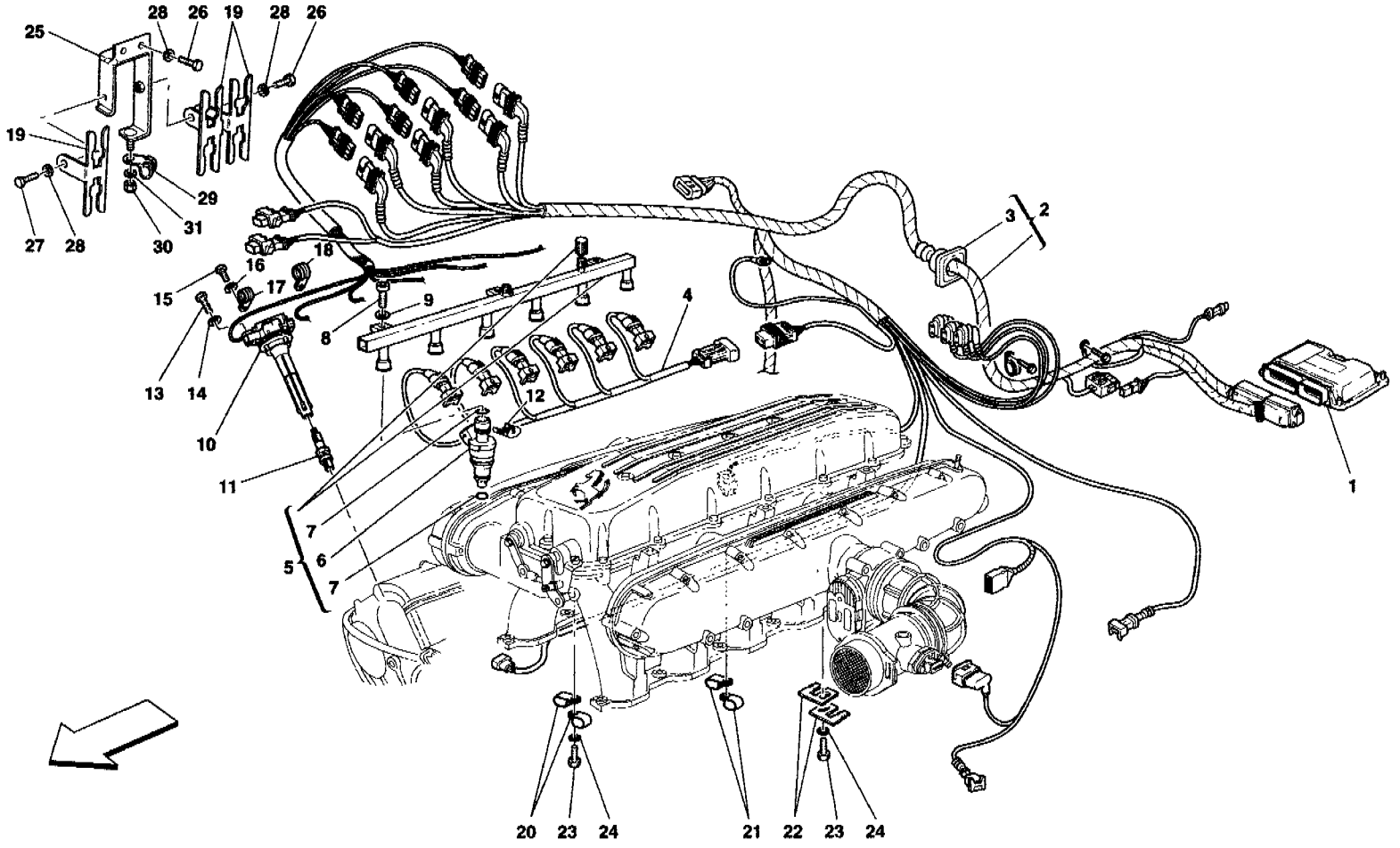
612 SCAGLIETTI - 13 - ANTIEVAPORATION DEVICE



612 SCAGLIETTI - 13 - ANTIEVAPORATION DEVICE

†	193690	1	FUEL VAPOR FILTER -Valid till Ass. Nr. 56586- -Valid till stock exhaustion-
1	206762	1	FUEL VAPOR FILTER -Valid from Ass. Nr. 56587-
2	180653	2	BRACKET FOR FILTRO
3	180655	4	RUBBER THICKNESS
4	180654	4	RUBBER THICKNESS
5	169180	4	NUT
6	12638124	4	WASHER
7	187519	1	PIPE FROM CANISTER TO OBD PUMP
8	202968	1	DIAGNOSIS PUMP
9	190695	1	PIPE FROM FILTER TO PUMP
10	183221	1	FILTER FOR OBD PUMP
11	13432270	2	COLLAR FOR SLEEVE
12	194165	1	BRACKET
13	15958701	4	SCREW
14	102948	2	NUT
15	12643724	2	WASHER
16	14499324	3	WASHER
17	190696	1	PIPE FROM DISAREATOR TO CANISTER
18	206891	1	UNDERFLOOR R.H. TUBE
19	206892	1	UNDERFLOOR L.H. TUBE
20	206067	3	SUPPORT
21	206063	3	SMALL PLATE
22	14305624	3	SCREW
23	12646624	3	WASHER
24	12541774	3	WASHER
25	194647	1	R.H. HOSE
26	194650	1	L.H. HOSE
27	174623	2	PAD
28	162412	2	WASHER VALVE
29	201554	2	PIPE FROM AIR CAPACITY TO VALVE
30	13432070	6	COLLAR FOR SLEEVE
31	10441390	2	BRACKET WITH SHEATH
32	181344	1	BRACKET
33	10441990	1	BRACKET WITH SHEATH
34	169180	1	NUT
35	12638177	1	WASHER
36	10902224	1	SCREW
37	127494	1	WASHER
38	10441490	4	BRACKET WITH SHEATH
39	10441990	1	BRACKET WITH SHEATH
40	10902424	5	SCREW
41	127494	5	WASHER
42	191904	2	CLIP
43	205822	1	CLIP
44	15210824	1	SCREW
45	12544079	1	WASHER
46	66076900	3	BRACKET WITH SHEATH
47	10977724	2	SCREW
48	127493	2	WASHER
49	12637824	2	WASHER
50	10902424	2	SCREW
51	127493	2	WASHER

812 SCAGLIETTI - 14 - INJECTION - IGNITION DEVICE

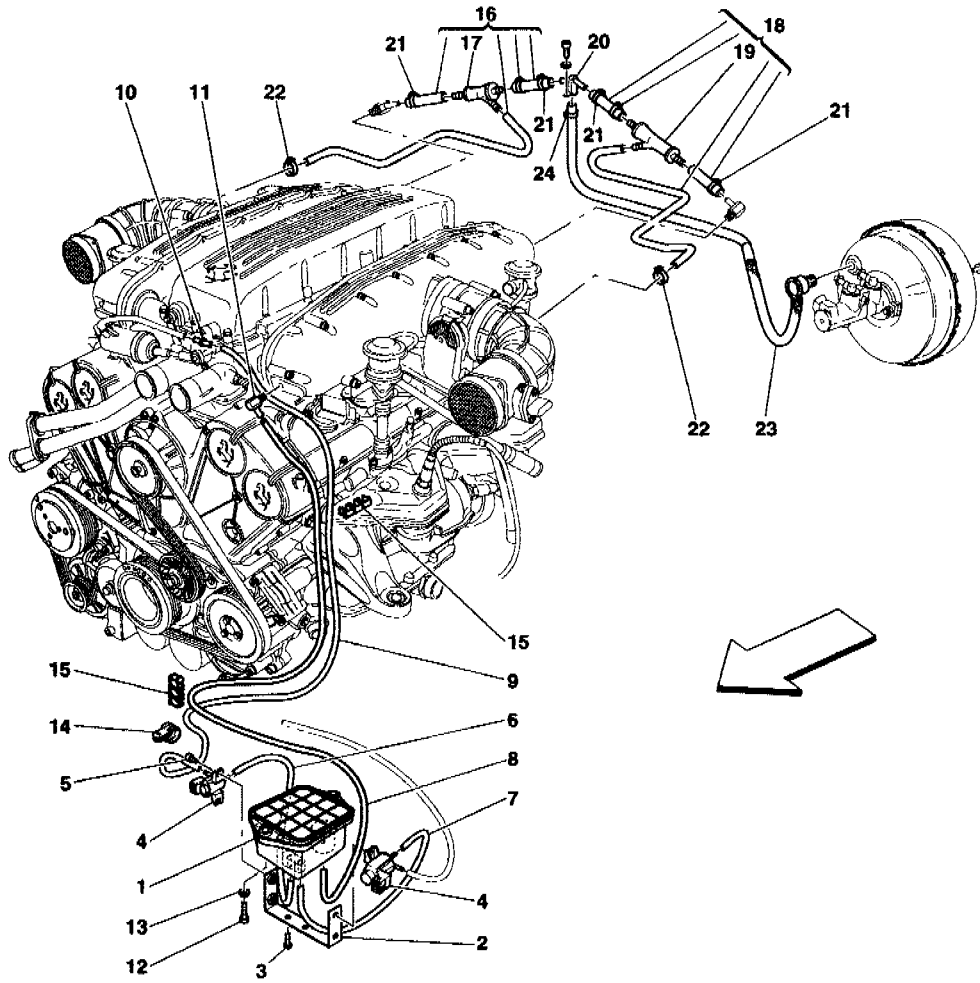


612 SCAGLIETTI - 14 - INJECTION - IGNITION DEVICE

1	202024	2	CONTROL UNIT IGNITION -Valid for F1- -Not for USA e CDN-
1	207508	2	CONTROL UNIT IGNITION -Valid for F1- -Valid for USA and CDN-
1	190605	2	CONTROL UNIT IGNITION -Not for F1- -Not for USA and CDN-
1	204438	2	CONTROL UNIT IGNITION -Not for F1- -Valid for USA and CDN-
2	192557	1	R.H. SIDE ENGINE CONNECTING CABLES -Not for USA, CDN and GD- -Valid till Ass. Nr. 55824-
2	209967	1	R.H. SIDE ENGINE CONNECTING CABLES -Not for USA, CDN and GD- -Valid from Ass. Nr. 55825-
2	205694	1	R.H. SIDE ENGINE CONNECTING CABLES -Valid for USA and CDN- -Valid till Ass. Nr. 55824-
2	191558	1	R.H. SIDE ENGINE CONNECTING CABLES -Valid for USA and CDN- -Valid from Ass. Nr. 55825-
2	206658	1	R.H. SIDE ENGINE CONNECTING CABLES -Valid for GD- -Valid till Ass. Nr. 55824-
2	209968	1	R.H. SIDE ENGINE CONNECTING CABLES -Valid for GD- -Valid from Ass. Nr. 55825-
2	192558	1	L.H. SIDE ENGINE CONNECTING CABLES -Not for USA and CDN- -Replaces 201432 for GD-
2	205695	1	L.H. SIDE ENGINE CONNECTING CABLES -Valid for USA and CDN-
2	201432	1	L.H. SIDE ENGINE CONNECTING CABLES -Valid for GD- -Not as spare part- -Replaced by 192558-
3	192554	2	CABLE BUSHING
4	201332	2	INJECTORS CONNECTING CABLES
5	180563	2	PIPE FOR INJECTORS
6	180552	12	ELECTRO-INJECTOR
7	133902	24	O.R. GASKET
8	14306224	6	SCREW
9	12601374	6	WASHER
10	186914	8	IGNITION COIL
10	188504	4	
11	174954	12	SPARK PLUG
12	144730	12	INJECTORS RETAINING CLIP
13	14432224	24	SCREW
14	12601274	24	WASHER
15	10979434	10	SCREW
16	12601274	10	WASHER
17	10441190	4	BRACKET WITH SHEATH
18	10441390	6	BRACKET WITH SHEATH
19	188586	6	CONNECTOR FIXING BRACKET
20	10441290	2	BRACKET
21	10441490	2	BRACKET

22	156198	2	CLIP
23	10902024	3	SCREW
24	127494	3	WASHER
25	191534	2	BRACKET
26	10902224	6	SCREW
27	10902024	2	SCREW
28	127494	8	WASHER
29	10441690	2	BRACKET WITH SHEATH
30	15896214	2	NUT
31	127494	2	WASHER

612 SCAGLIETTI - 15 - PNEUMATICS ACTUATOR SYSTEM



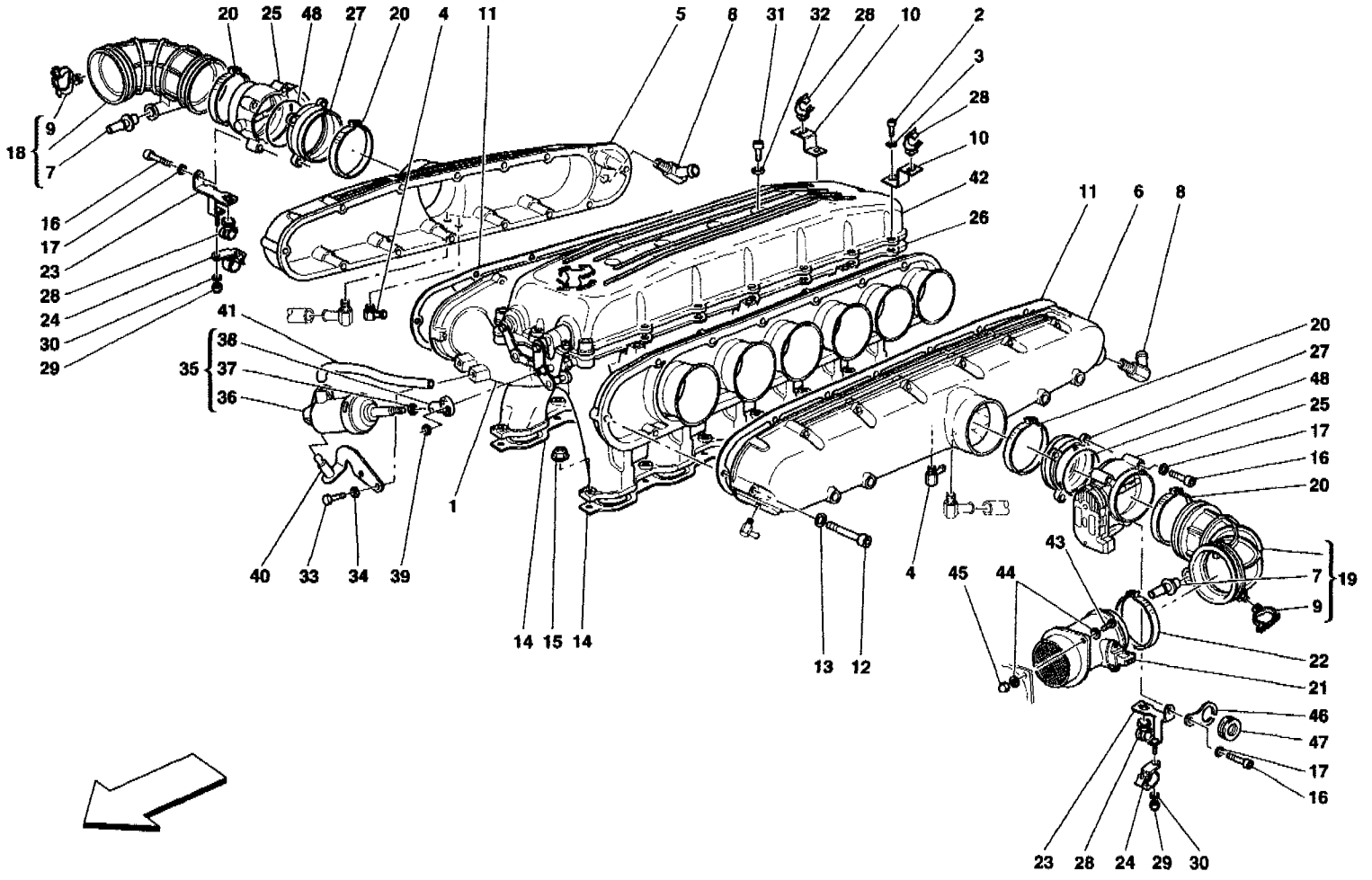
612 SCAGLIETTI - 15 - PNEUMATICS ACTUATOR SYSTEM

1	198339	1	DEPRESSION ACCUMULATION TANK
2	199675	1	BRACKET
3	15689501	2	SCREW
4	184363	2	SOLENOID VALVE
5	14304024	4	SCREW
6	131042	1	RUBBER HOSE
7	115412	1	RUBBER HOSE
8	124406	1	HOSE FROM TANK TO UNION
9	122760	1	HOSE FROM SOLENOID VALVE TO ACTUATOR UNION
10	199696	1	UNION
11	128016	1	UNION
12	10902824	2	SCREW
13	12604274	2	WASHER
14	10441690	1	BRACKET WITH SHEATH
15	141546	9	FLEXIBLE CLIP
16	204135	1	KAISER VALVE COMPLETE R.H. TUBE
17	178529	1	KAISER VALVE
18	204136	1	KAISER VALVE COMPLETE L.H. TUBE
19	178529	1	KAISER VALVE
20	201912	1	3-WAY UNION
21	13432270	4	ELASTIC COLLAR
22	13433570	2	COLLAR FOR SLEEVE
23	205949	1	PIPE TO BRAKE BOOSTER -Not for GD-
23	207527	1	PIPE TO BRAKE BOOSTER -Valid for GD-
24	13432270	1	ELASTIC COLLAR

612 SCAGLIETTI - 16 - SECONDARY AIR PUMP

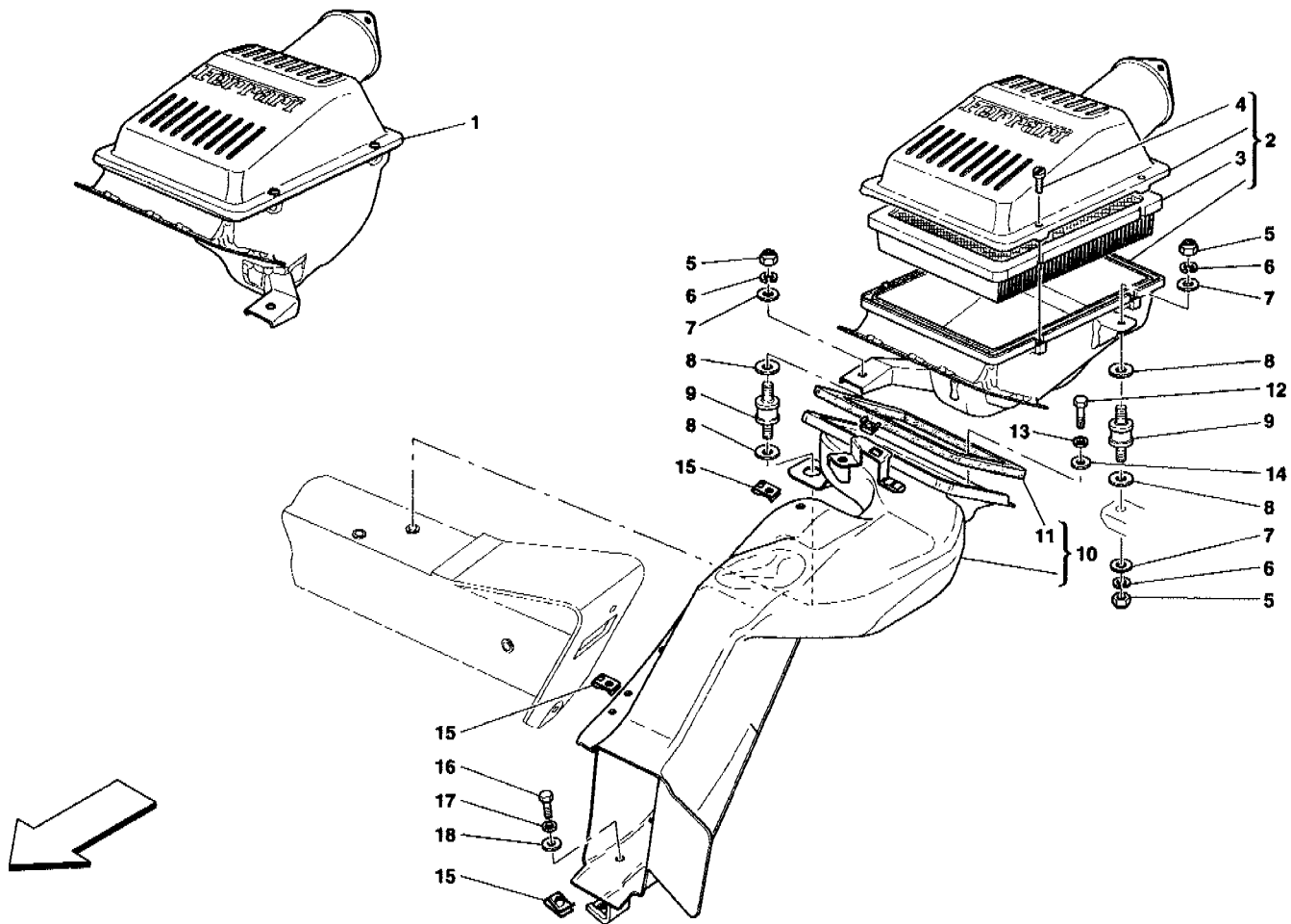
1*	181197	1	SECONDARY AIR PUMP
2	197139	1	BRACKET FOR PUMP
3	10441790	2	BRACKET WITH SHEATH
4	102948	2	NUT
5	15896214	3	NUT
6	12601274	3	WASHER
7	198332	1	SLEEVE
8	178054	2	CLAMP
9	198323	1	RIGID PIPE FOR AIR VALVE
10	146972	3	3-WAY UNION
11	131042	2	RUBBER HOSE
12	163094	1	RUBBER HOSE
13	118901	4	RUBBER HOSE
14	183717	4	SLEEVE
15	185892	4	TUBE FOR VALVE
16	154652	2	CURVED SLEEVE
17	178054	12	CLAMP
18	186164	2	3-WAY RIGID PIPE
19	195095	1	R.H. PROTECTION SHIELD
20	195096	1	L.H. PROTECTION SHIELD
21	10902124	4	SCREW
22	14058411	4	NUT
23	12643724	4	WASHER
24	171175	4	SECONDARY AIR VALVE
25	186781	8	GASKET FOR PIPE
26	185893	4	VALVE SUPPORT BRACKET
27	14305724	8	SCREW
28	12601274	24	WASHER
29	14305224	16	SCREW

612 SCAGLIETTI - 17 - AIR INTAKE MANIFOLDS



612 SCAGLIETTI - 17 - AIR INTAKE MANIFOLDS

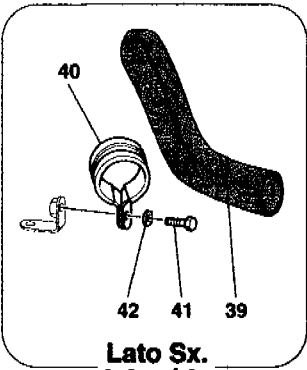
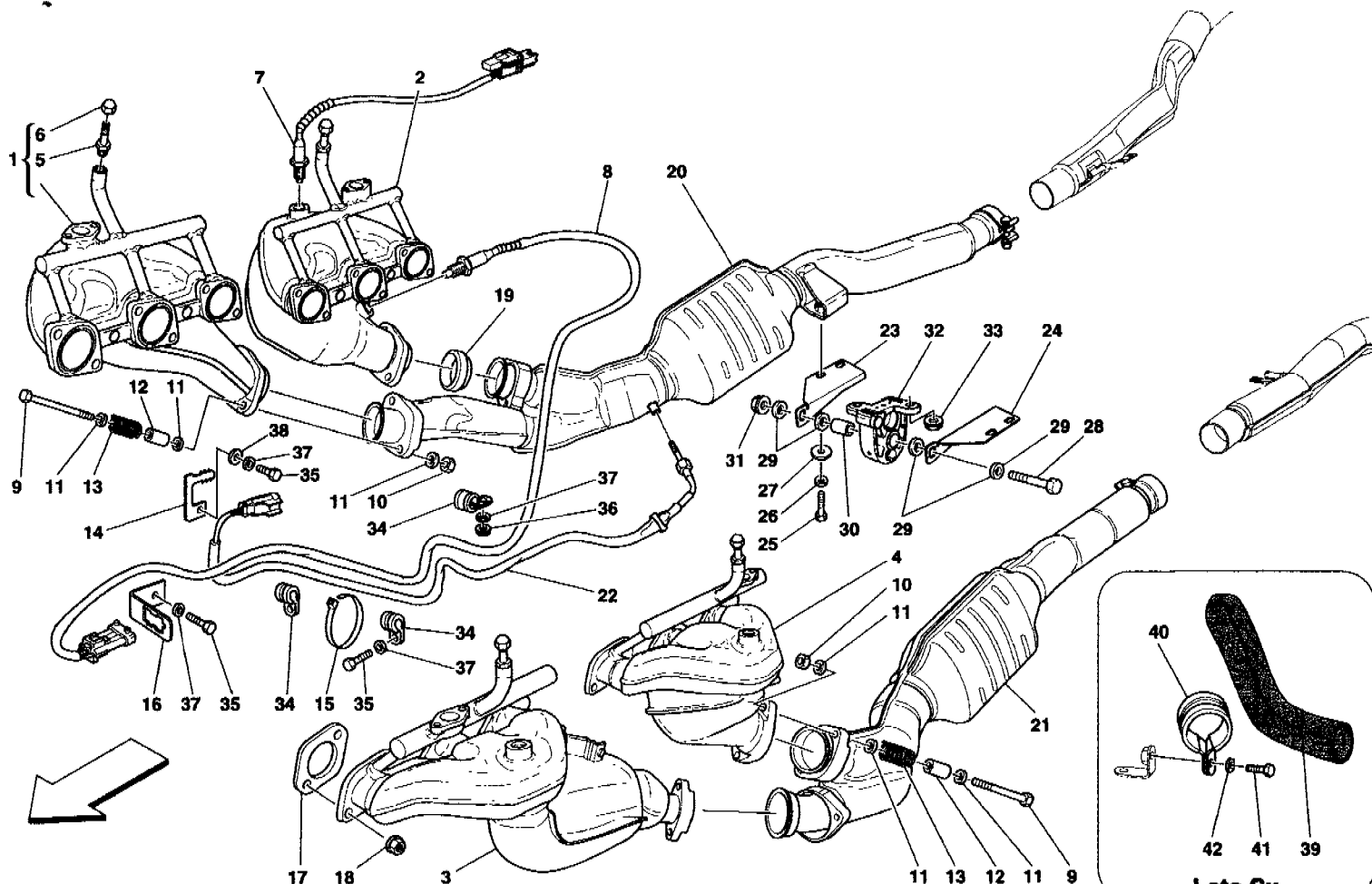
1	194671	1	SUCTION MANIFOLD
2	14305424	16	SCREW
3	12601274	16	WASHER
4	128016	2	UNION
5	198572	1	R.H. SUCTION MANIFOLDS COVER
6	198573	1	L.H. SUCTION MANIFOLDS COVER
7	198895	2	UNION
8	198223	2	UNION
9	189710	4	CLIP
10	205714	2	SMALL PLATE
11	181064	2	GASKET
12	156828	28	SCREW
13	12601274	28	WASHER
14	164092	2	GASKET
15	159601	24	NUT
16	14305924	8	SCREW
17	12639724	8	WASHER
18	190607	1	R.H. SLEEVE -Not for USA and CDN-
18	204440	1	R.H. SLEEVE -Valid for USA and CDN-
19	190608	1	L.H. SLEEVE -Not for USA and CDN-
19	204441	1	L.H. SLEEVE -Valid for USA and CDN-
20	190151	4	CLAMP
21	181120	2	AIR FLOW METER
22	196715	2	CLAMP
23	188614	2	BRACKET RETAINING CABLES
24	160888	2	FIXING CLIP
25	179912	2	THROTTLE HOLDER
26	180979	1	GASKET
27	195206	2	SPACER FOR THROTTLE HOLDER
28	178430	4	FIXING CLIP
29	102741	2	NUT
30	14499324	2	WASHER
31	163774	5	SCREW
32	12601174	5	WASHER
33	173599	2	SCREW
34	173600	2	WASHER
35	173602	1	COMPLETE ACTUATOR
36	173594	1	ACTUATOR
37	173601	1	NUT
38	173596	1	BALL JOINT
39	173598	1	SEEGER RING
40	194218	1	SUPPORT
41	168248	1	RUBBER PIPE
42	198919	1	COVER
43	16285127	4	SCREW
44	12638177	8	WASHER
45	168698	4	NUT
46	165792	2	BRACKET FOR SECONDARY AIR PIPE
47	10396780	2	INSULATING RING
48	150302	2	GASKET



612 SCAGLIETTI - 18 - AIR INTAKE

1	195736	1	COMPLETE R.H. AIR INTAKE
2	195737	1	COMPLETE L.H. AIR INTAKE
3	180935	2	AIR FILER
4	193276	4	SCREW
5	15896214	6	NUT
6	127494	6	WASHER
7	12640624	6	WASHER
8	12643724	8	WASHER
9	142202	4	PAD
10	198017	1	L.H. SUCTION DUCTING
10	198016	1	R.H. SUCTION DUCTING
11	197983	2	GASKET
12	10902624	2	SCREW
13	127494	2	WASHER
14	12643724	2	WASHER
15	66927700	12	BRACKET
16	10902124	2	SCREW
17	12601274	2	WASHER
18	12644424	2	WASHER

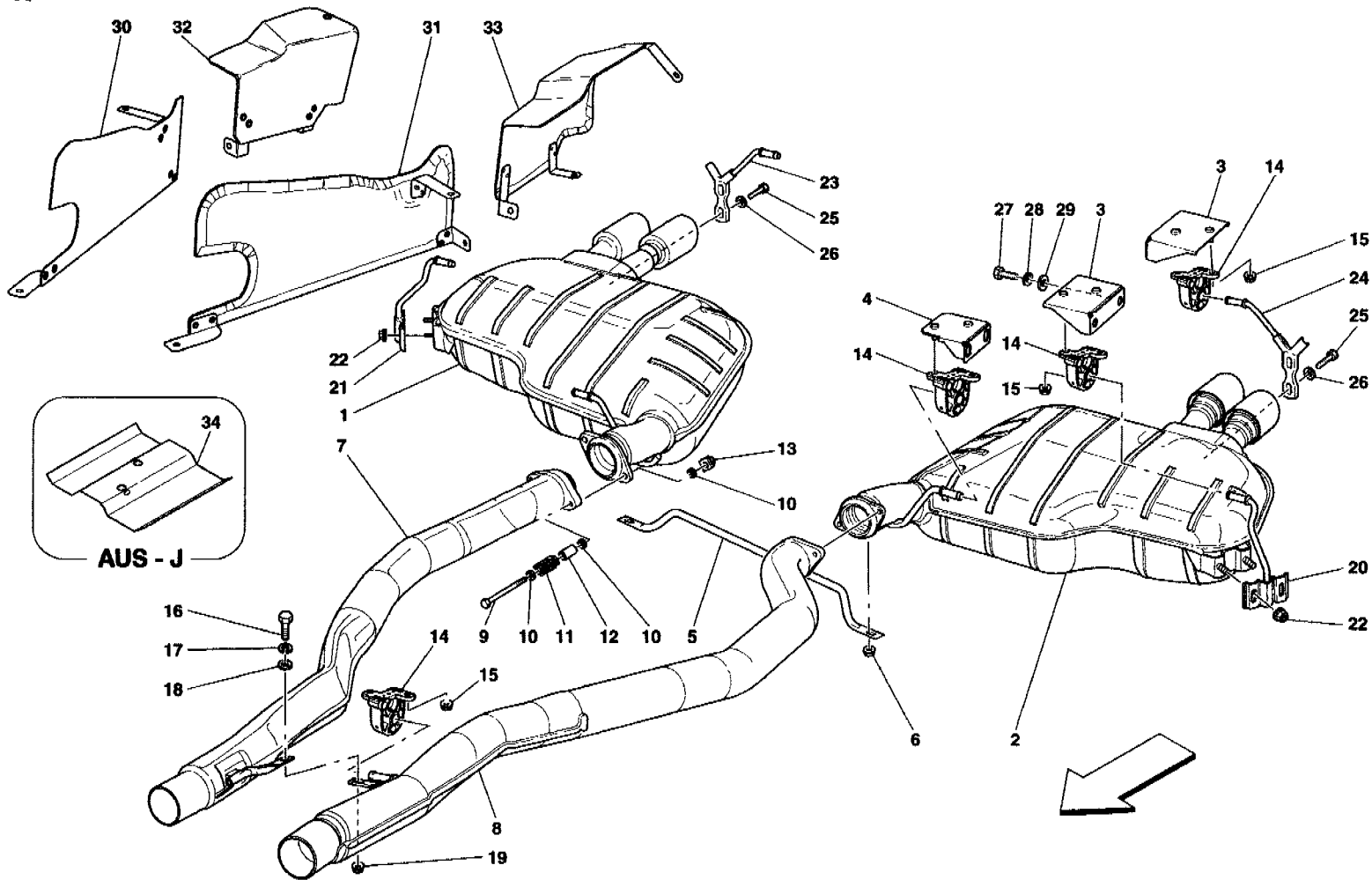
612 SCAGLIETTI - 19 - FRONT EXHAUST SYSTEM



612 SCAGLIETTI - 19 - FRONT EXHAUST SYSTEM

1	189758	1	R.H. FRONT EXHAUST MANIFOLD
2	194006	1	R.H. REAR EXHAUST MANIFOLD
3	189759	1	L.H. FRONT EXHAUST MANIFOLD
4	194007	1	L.H. REAR EXHAUST MANIFOLD
5	152630	4	THREADED UNION
6	150595	4	CAP NUT
7	182837	2	FRONT LAMBDA FEELER -For front side head-
7	187587	2	FRONT LAMBDA FEELER -For rear side head-
8	180915	2	REAR LAMBDA FEELER -For front side head-
8	187586	2	REAR LAMBDA FEELER -For rear side head-
9	16045124	8	SCREW
10	114748	8	NUT
11	112761	24	WASHER
12	114749	8	SPACER
13	111743	8	SPRING
14	162606	2	CLIP
15	206739	7	CLAMP
16	178366	4	BRACKET
17	143408	12	GASKET
18	138392	24	NUT
19	154981	4	GASKET
20	197578	1	R.H. CATALYST
21	197577	1	L.H. CATALYST
22	200934	2	TEMPERATURE SENSOR
23	196440	1	R.H. BRACKET
24	196441	1	L.H. BRACKET
25	16043224	4	SCREW
26	12638578	4	WASHER
27	12646724	4	WASHER
28	16044124	1	SCREW
29	107618	4	WASHER
30	190622	1	SPACER
31	114748	1	NUT
32	199731	1	ANTI-VIBRATION SUPPORT
33	14058519	2	NUT
34	10441790	4	BRACKET WITH SHEATH
35	10902224	10	SCREW
36	15896214	1	NUT
37	127494	12	WASHER
38	12643724	2	WASHER
39	208856	1	HEAT SHIELD FOR L.H. ENGINE CABLES
40	10441990	1	BRACKET WITH SHEATH
41	10902124	1	SCREW
42	127494	1	WASHER

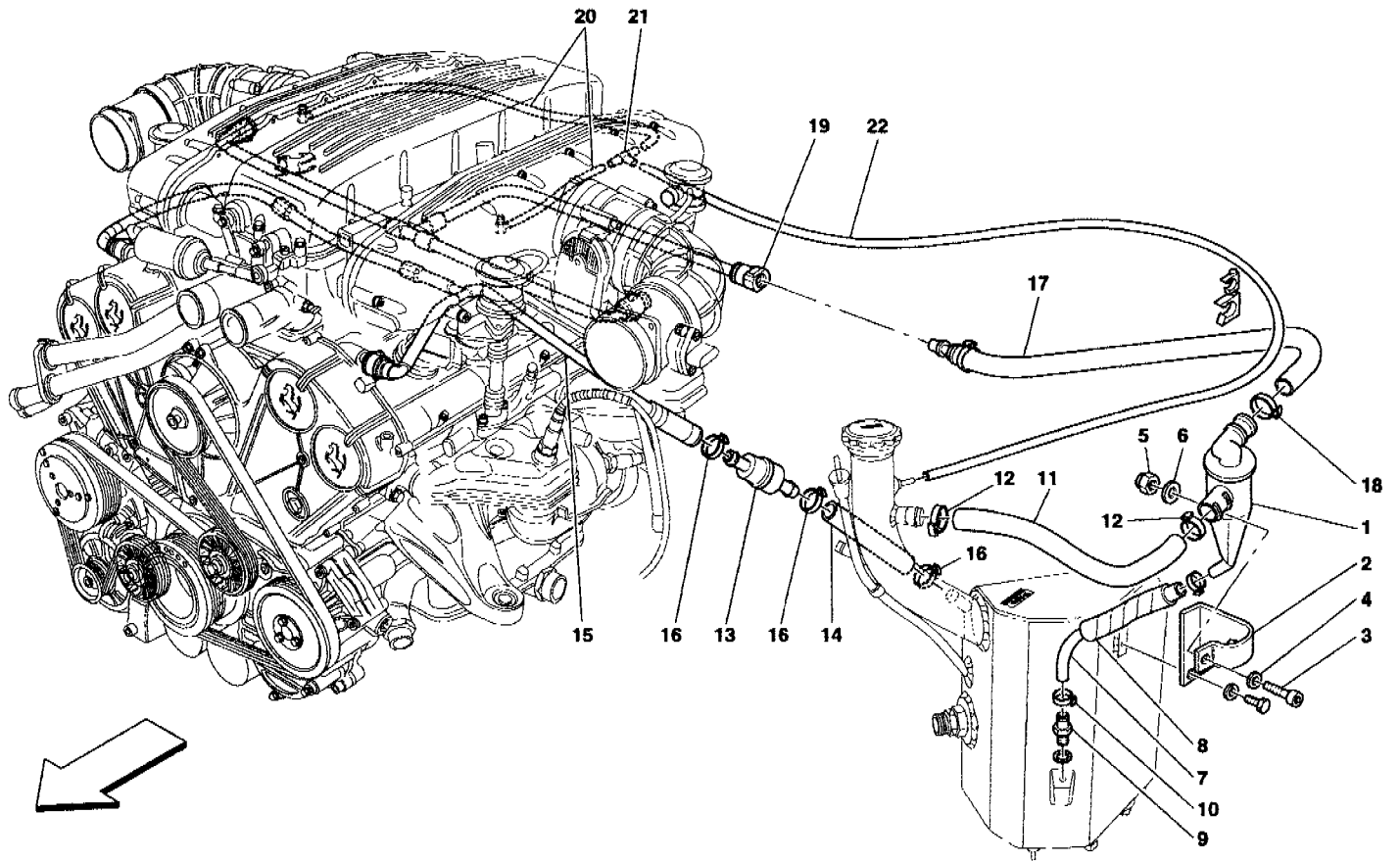
61. SCACLIETTI - 20 - REAR EXHAUST SYSTEM



612 SCAGLIETTI - 20 - REAR EXHAUST SYSTEM

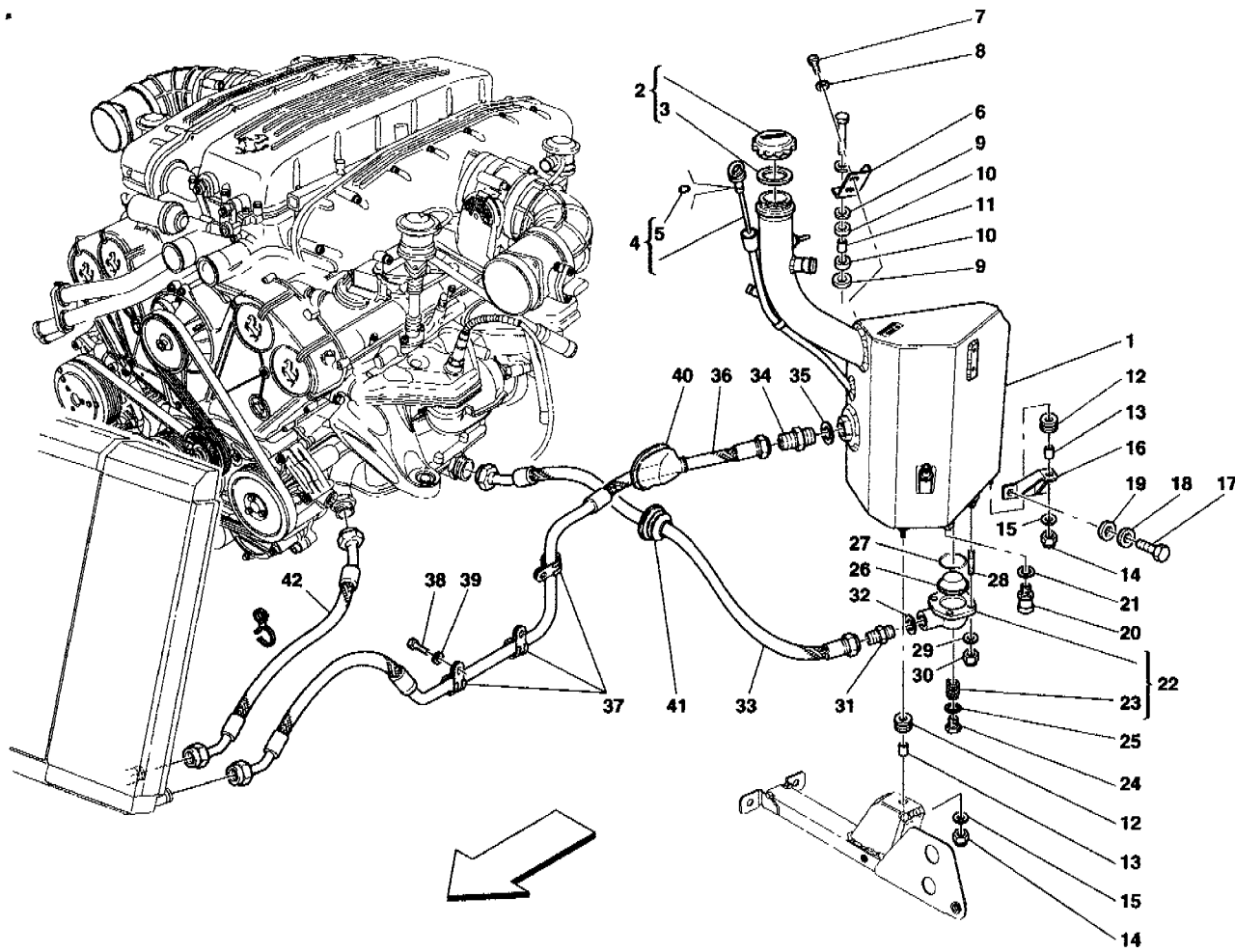
1	197767	1	R.H. EXHAUST SILENCER
2	197766	1	L.H. EXHAUST SILENCER
3	196106	4	SILENCER SUPPORTING BRACKET
4	196105	2	SILENCER SUPPORTING BRACKET
5	195336	1	CROSS MEMBER
6	14058519	2	NUT
7	197732	1	R.H. EXHAUST EXTENSION
8	197731	1	L.H. EXHAUST EXTENSION
9	16043424	4	SCREW
10	112761	12	WASHER
11	111743	4	SPRING
12	114749	4	SPACER
13	14058519	4	NUT
14	187861	7	ANTI-VIBRATION SUPPORT
15	14058519	14	NUT
16	16043434	1	SCREW
17	127496	1	WASHER
18	12646724	1	WASHER
19	14058519	1	NUT
20	207238	1	L.H. LATERAL BRACKET
21	207239	1	R.H. LATERAL BRACKET
22	14058519	4	NUT
23	207237	1	R.H. "Y" BRACKET
24	207236	1	L.H. "Y" BRACKET
25	16043021	4	SCREW
26	12601374	4	WASHER
27	16043434	12	SCREW
28	127496	12	WASHER
29	13578305	12	WASHER
30	208837	1	R.H. FRONT SHIELD
31	208835	1	L.H. FRONT SHIELD
32	208838	1	R.H. REAR SHIELD
33	208836	1	L.H. REAR SHIELD
34	199075	1	HEAT PROTECTION SHIELD

-Valid for AUS and J-



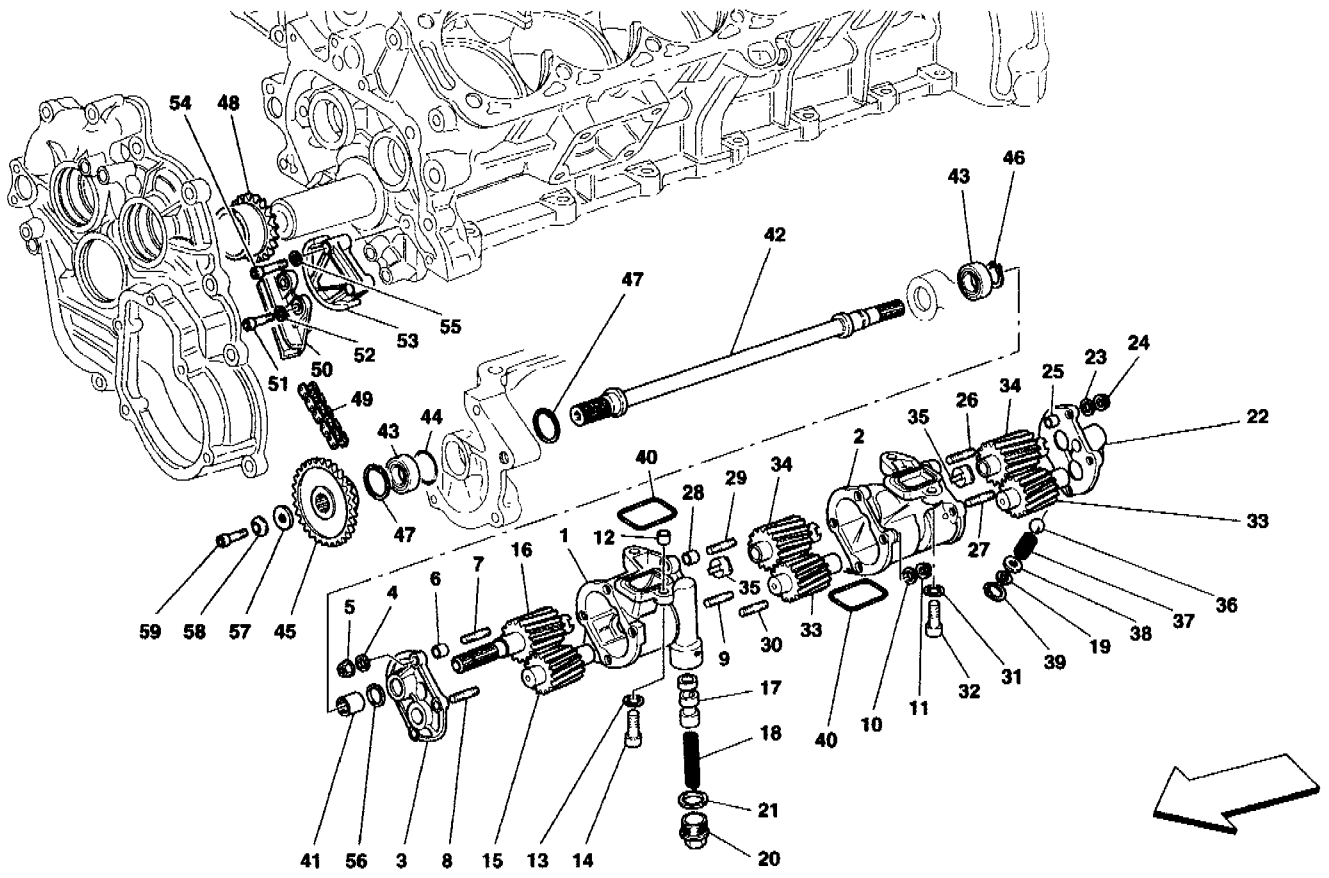
612 SCAGLIETTI - 21 - BLOW-BY

1	192651	1	OIL DECANTER
2	198078	1	BRACKET
3	14305324	1	SCREW
4	12604274	1	WASHER
5	15896214	1	NUT
6	14499324	1	WASHER
7	198655	1	DRAINAGE TUBE
8	204939	1	PROTECTION SHEATH
9	186849	1	NONRETURN VALVE
10	13430770	2	COLLAR FOR SLEEVE
11	206348	1	RUBBER HOSE
12	13432908	2	COLLAR FOR SLEEVE
13	204251	1	NONRETURN VALVE
14	198653	1	PIPE FROM VALVE TO TANK
15	206039	1	VAPOR PIPE FROM HEAD
16	178053	3	CLAMP
17	207210	1	VAPOR SUCTION PIPE
18	13432908	1	COLLAR FOR SLEEVE
19	198993	1	BLOW-BY PIPE
19	204265	1	-Not for USA and CDN- BLOW-BY PIPE
20	198649	2	-Valid for USA and CDN- RUBBER HOSE
21	146972	1	3-WAY UNION
22	198650	1	RUBBER HOSE



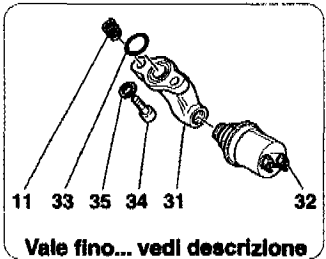
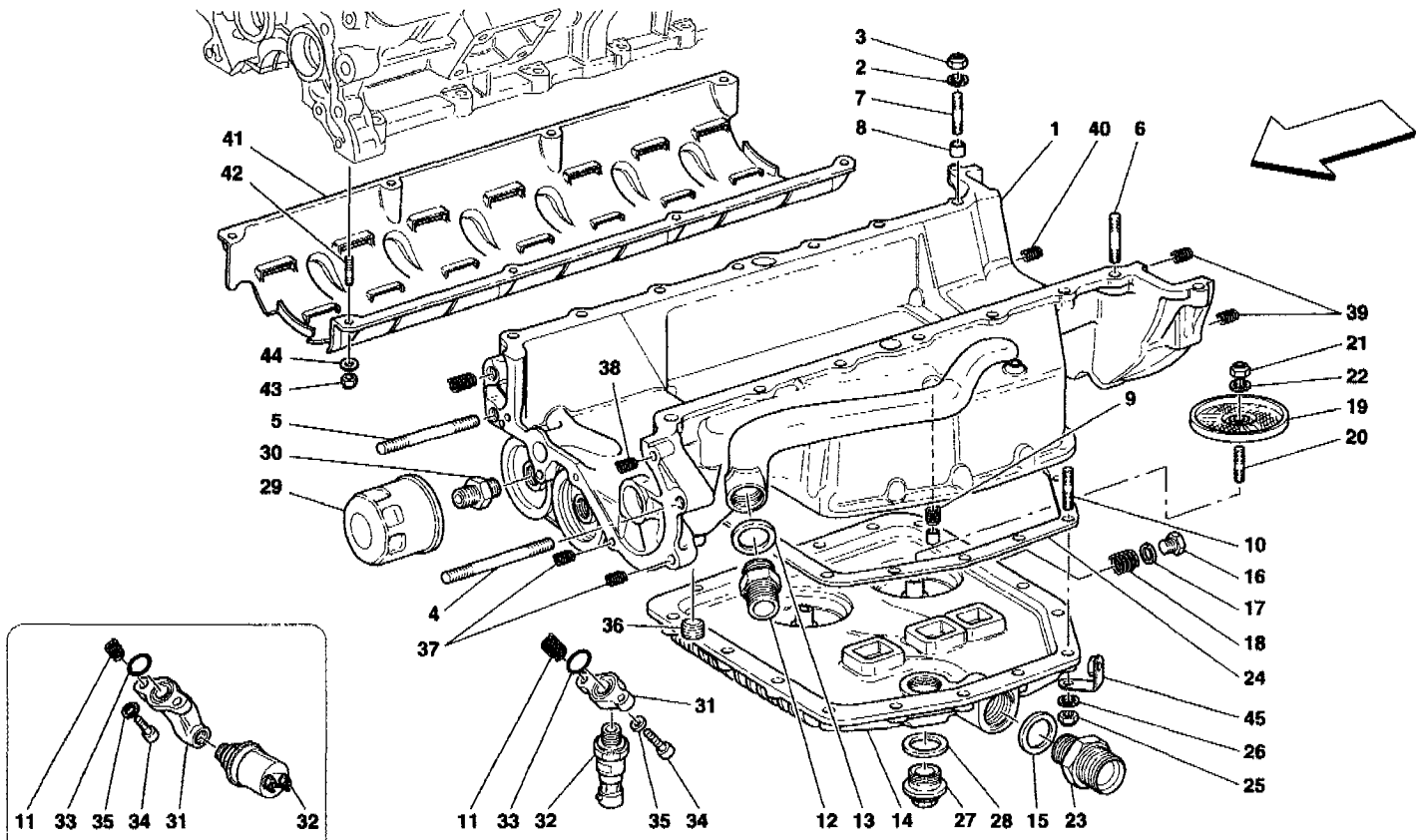
612 SCAGLIETTI - 22 - LUBRICATION SYSTEM - TANK

1	196276	1	OIL TANK
2	175708	1	COMPLETE PLUG
3	175709	1	GASKET
4	199105	1	OIL LEVEL ROD
5	121813	1	O.R. GASKET
6	196978	1	UPPER BRACKET
7	10902024	2	SCREW
8	12620474	2	WASHER
9	107979	2	CUP
10	107978	2	PAD
11	107980	1	SPACER
12	103549	2	CABLE GROMMET
13	149707	2	SPACER
14	14059214	2	NUT
15	12643724	2	WASHER
16	194451	1	LOWER BRACKET
17	10902324	2	SCREW
18	12643724	2	WASHER
19	127494	2	WASHER
20	180137	1	TEMPERATURE SENSOR
21	153722	1	GASKET
22	151684	1	OIL SUCTION FAN
23	111352	1	THREADED INSERT
24	10300711	1	OIL OUTLET PLUG
25	10257060	1	GASKET
26	100332	1	OIL FILTER
27	125521	1	O.R. GASKET
28	11500424	4	STUD
29	12601274	4	WASHER
30	102948	4	NUT
31	138149	1	UNION
32	144485	1	GASKET
33	198403	1	DELIVERY TUBE FROM TANK TO PUMP
34	138150	1	UNION
35	144487	1	GASKET
36	199509	1	RETURN TUBE FROM RADIATOR TO TANK
37	10442090	4	BRACKET WITH SHEATH
38	10902224	4	SCREW
39	127494	4	WASHER
40	202152	1	RUBBER BOOT
41	202151	1	RUBBER BOOT
42	198404	1	OIP TUBE FROM ENGINE TO RADIATOR



612 SCAGLIETTI - 23 - LUBRICATION - OIL PUMPS

*	153197	1	COMPLETE DELIVERY PUMP BODY
1	154575	1	DELIVERY PUMP BODY -With complete delivery pump body-
*	153198	1	COMPLETE RECOVERY PUMP BODY
2	154567	1	RECOVERY PUMP BODY -With complete recovery pump body-
3	141837	1	DELIVERY PUMP COVER
4	11197774	4	WASHER
5	134041	4	NUT
6	102725	2	CENTERING DOWEL
7	13541124	2	STUD
8	13540824	2	STUD
9	11500224	1	STUD
10	153366	4	WASHER
11	132877	4	NUT
12	102704	2	CENTERING DOWEL
13	11193874	2	WASHER
14	14306524	2	SCREW
15	154518	1	DRIVEN GEAR
16	154519	1	DRIVING GEAR
17	156950	1	PISTON
18	137614	1	SPRING
19	168180	1	WASHER
20	156143	1	PLUG
21	10257460	1	GASKET
22	141838	1	RECOVERY PUMP COVER
23	11197774	4	WASHER
24	134041	4	NUT
25	102725	2	CENTERING DOWEL
26	13541224	2	STUD
27	13540924	1	STUD
28	102725	2	CENTERING DOWEL
29	13541124	2	STUD
30	13540824	1	STUD
31	11193874	2	WASHER
32	14306424	2	SCREW
33	154516	2	DRIVEN GEAR
34	154517	2	DRIVING GEAR
35	109309	2	COUPLING
36	121306	1	BALL
37	109980	1	SPRING FOR BALL
38	132772	1	SPACER
39	11057876	1	SEEGER RING
40	154588	5	O.R. GASKET
41	141252	1	COUPLING
42	157042	1	SHAFT
43	140915	2	BEARING
44	140071	1	O.R. GASKET
45	163750	1	DRIVEN GEAR
46	11066576	1	SEEGER RING
47	11058876	2	SEEGER RING
48	141459	1	DRIVING GEAR
49	163753	1	OIL PUMP CONTROL CHAIN
50	141525	1	CHAIN TENSIONER
51	14306424	2	SCREW
52	14499401	2	WASHER
53	152536	1	FIXED TENSION
54	14305521	2	SCREW
55	10569279	2	WASHER
56	11066376	2	SEEGER RING
57	106744	1	WASHER
58	11197774	1	WASHER
59	14305224	1	SCREW

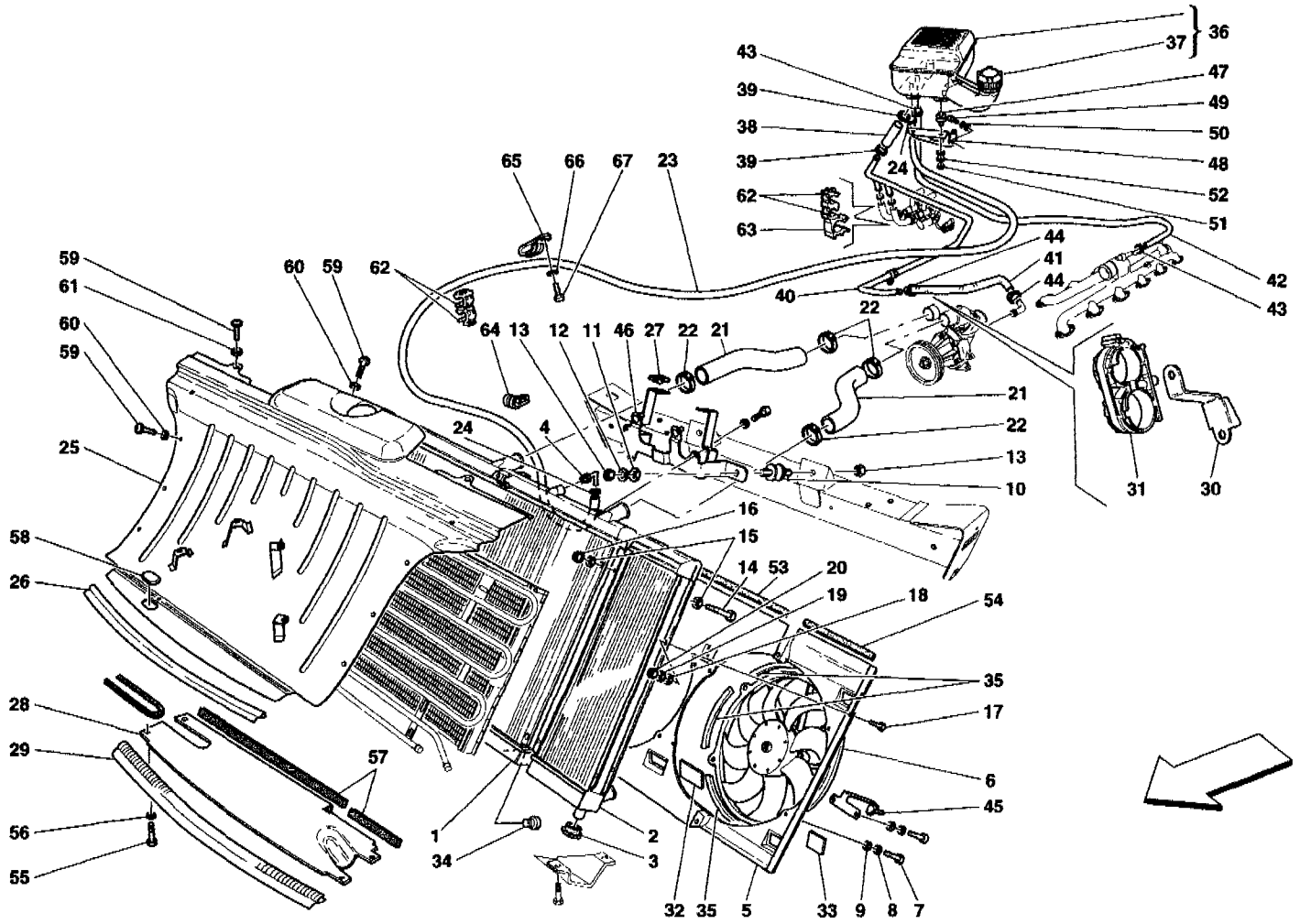


Vale fino... vedi descrizione
Valid till... see description

612 SCAGLIETTI - 24 - LUBRICATION - OIL SUMPS AND FILTERS

*	172465	1	COMPLETE OIL SUMP
1	165757	1	OIL SUMP -With complete oil sump-
2	12601374	14	WASHER
3	101139	14	NUT
4	13971134	1	STUD
5	153423	1	STUD
6	13543424	12	STUD
7	13543624	2	STUD
8	100041	2	CENTERING DOWEL
9	13525770	4	THREADED INSERT
10	13541224	16	STUD
11	13525470	2	THREADED INSERT
12	145085	1	UNION
13	144485	1	GASKET
14	154602	1	SUMP COVER
15	144485	1	GASKET
16	153903	1	OIL OUTLET PLUG
17	10280060	1	GASKET
18	13526570	1	THREADED INSERT
19	125308	2	OIL SUCTION FILTER
20	13540724	2	STUD
21	15896214	2	NUT
22	11197774	2	WASHER
23	138149	1	UNION
24	141960	1	GASKET
25	102741	16	NUT
26	12601274	16	WASHER
27	156144	1	THREADED PLUG
28	10303460	1	GASKET
29	206166	2	OIL FILTER CARTRIDGE
30	141707	2	UNION
31	197596	1	SUPPORT -Not for GD- -Valid till Ass. Nr. 55824-
31	208782	1	SUPPORT -Valid for GD- -For cars not GD valid from Ass. Nr. 55825-
32	193478	1	OIL PRESSURE TRANSMITTER -Not for GD- -Valid till Ass. Nr. 55824-
32	201207	1	OIL PRESSURE TRANSMITTER -Valid for GD- -For cars not GD valid from Ass. Nr. 55825-
33	132248	1	O.R. GASKET
34	14305324	2	SCREW
35	11197774	2	WASHER
36	10269850	2	PLUG
37	13525870	2	THREADED INSERT
38	13525570	4	THREADED INSERT
39	13525870	4	THREADED INSERT
40	13525570	3	THREADED INSERT
41	167016	1	ANTI-SHAKING OIL PANEL
42	13540824	8	STUD
43	14048115	8	NUT
44	14496424	8	WASHER
45	142060	1	BRACKET

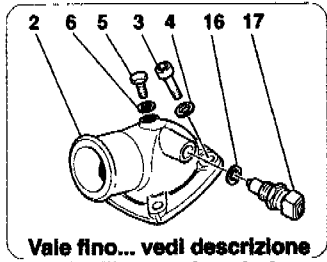
612 SCAGLIETTI - 25 - COOLING SYSTEM - RADIATOR AND NOURICE



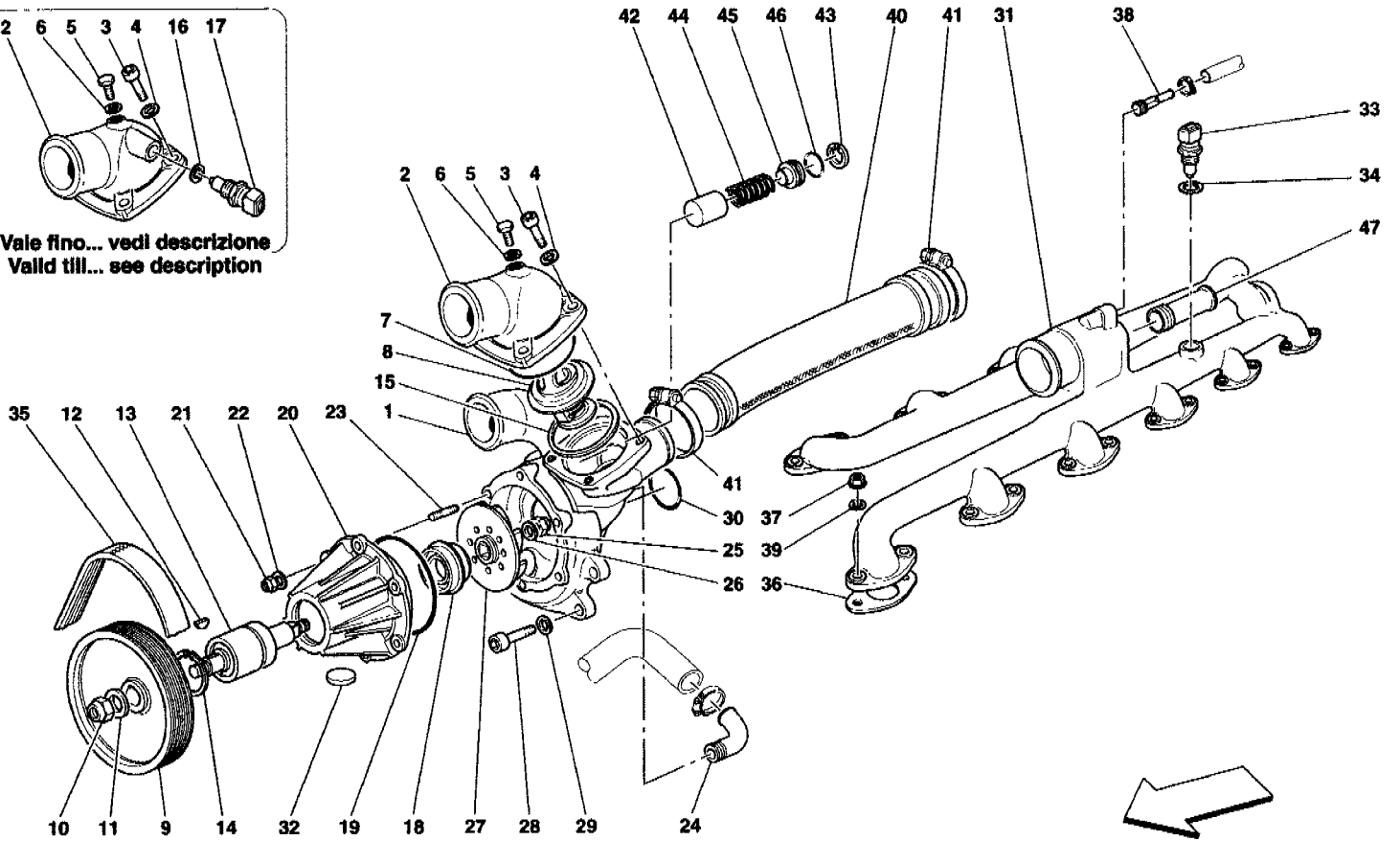
612 SCAGLIETTI - 25 - COOLING SYSTEM - RADIATOR AND NOURICE

1	194142	1	WATER RADIATOR
2	194144	1	OIL RADIATOR
3	138926	2	RUBBER
4	201040	1	THREADED UNION
5	181601	1	HOOD FOR ELECTROFANS
6	186917	2	COMPLETE ELECTROFAN -Not as spare part- -Replaced by 208819-
6	208819	2	COMPLETE ELECTROFAN
7	14304324	8	SCREW
8	12637824	8	WASHER
9	127493	8	WASHER
10	157650	2	FIXING PAD
11	12646724	2	WASHER
12	127496	2	WASHER
13	133989	4	NUT
14	15201024	1	SCREW
15	12637824	2	WASHER
16	14058311	1	NUT
17	14305224	4	SCREW
18	12648224	4	WASHER
19	127494	4	WASHER
20	15896214	4	NUT
21	190637	2	SLEEVE
22	13000690	4	SCREW COLLAR
23	157746	1	PIPE FROM RADIATOR TO NOURICE -Not as spare part- -Replaced by 213721-
23	213721	1	PIPE FROM RADIATOR TO NOURICE
24	177995	2	CLAMP
25	67781800	1	AIR UPPER CONVEYOR
26	68114900	1	AIR CONVEYOR GASKET
27	66927700	2	BRACKET
28	66951500	1	AIR LOWER CONVEYOR
29	68114800	1	AIR CONVEYOR GASKET
30	199474	1	PIPES SUPPORTING BRACKET
31	198101	1	CLIP
32	155441	1	STRAP
33	183649	5	STRAP
34	174538	1	PLUG
35	195910	12	GASKET
36	204043	1	FUEL CANISTER
37	195999	1	TANK PLUG
38	124028	1	RUBBER HOSE -Not for GD- -Not as spare part- -Replaced by 214257-
38	214257	1	RUBBER HOSE
38	68124600	1	RUBBER HOSE -Not for GD- -Valid for GD-
39	186680	2	CLAMP
40	204029	1	RIGID PIPE -Not for GD-
40	207017	1	RIGID PIPE -Valid for GD-
41	199270	1	RUBBER HOSE
42	155618	1	RUBBER HOSE -Not as spare part- -Replaced by 207763-
42	207763	1	RUBBER HOSE
43	177995	2	CLAMP
44	186680	2	CLAMP
45	200783	1	PIPES SUPPORTING BRACKET
46	199599	1	RADIATOR SUPPORTING BRACKET
47	102947	3	PAD
48	202910	1	BRACKET SUPPORTING NOURICE
49	10902024	2	SCREW

50	127494	2	WASHER
51	15896214	3	NUT
52	127494	3	WASHER
53	181602	2	GASKET
54	181603	2	GASKET
55	16285127	4	SCREW
56	12638177	4	WASHER
57	62765800	1	ANTI-VIBRATIONS
58	62797700	1	PLUG
59	169815	12	SCREW
60	12638177	10	WASHER
61	12647777	2	WASHER
62	145543	10	CLIP
63	140730	2	CLIP
64	10441590	1	BRACKET WITH SHEATH
65	10441990	1	BRACKET WITH SHEATH
66	12637824	1	WASHER
67	10902424	1	SCREW

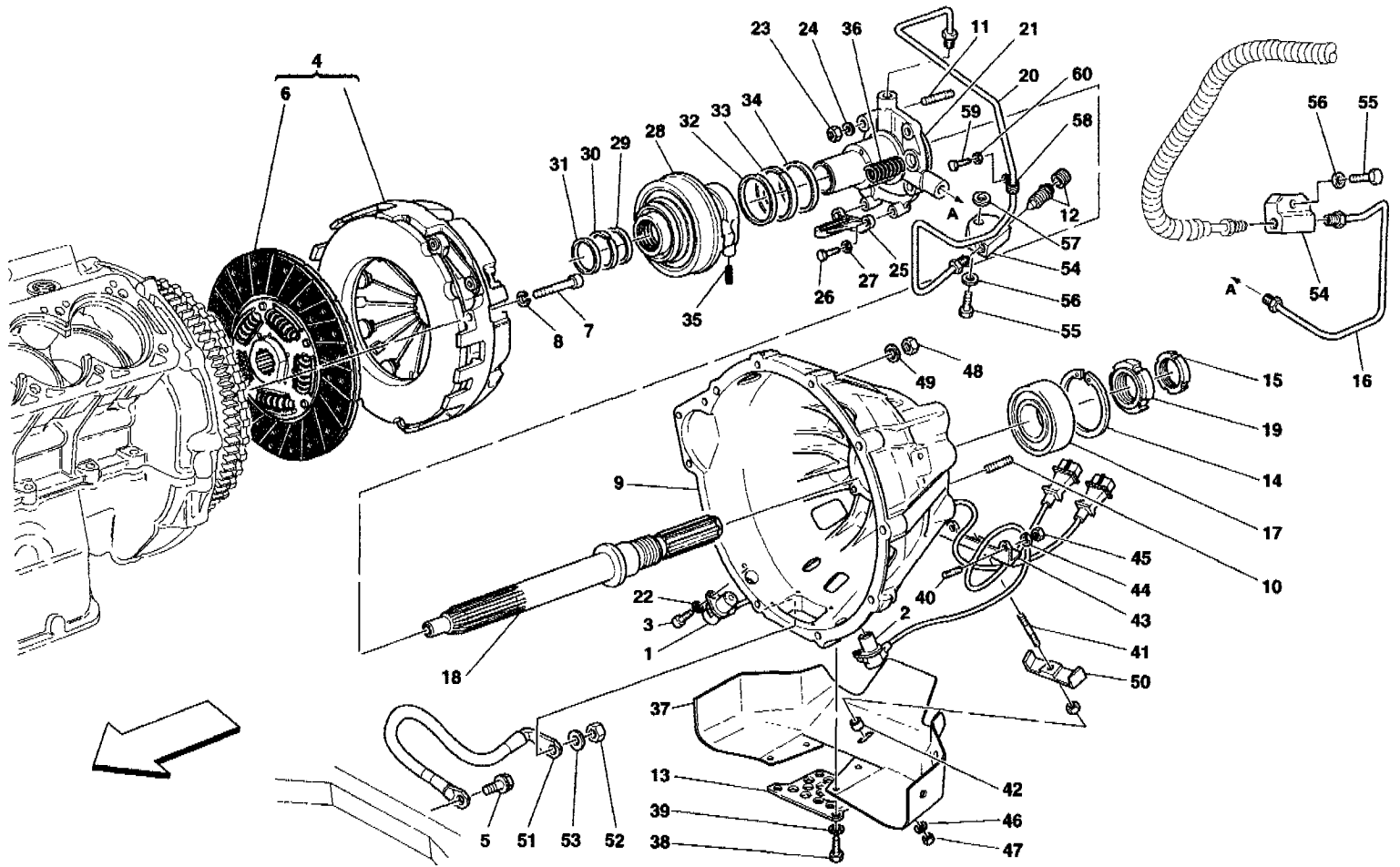


Vale fino... vedi descrizione
Valld till... see description



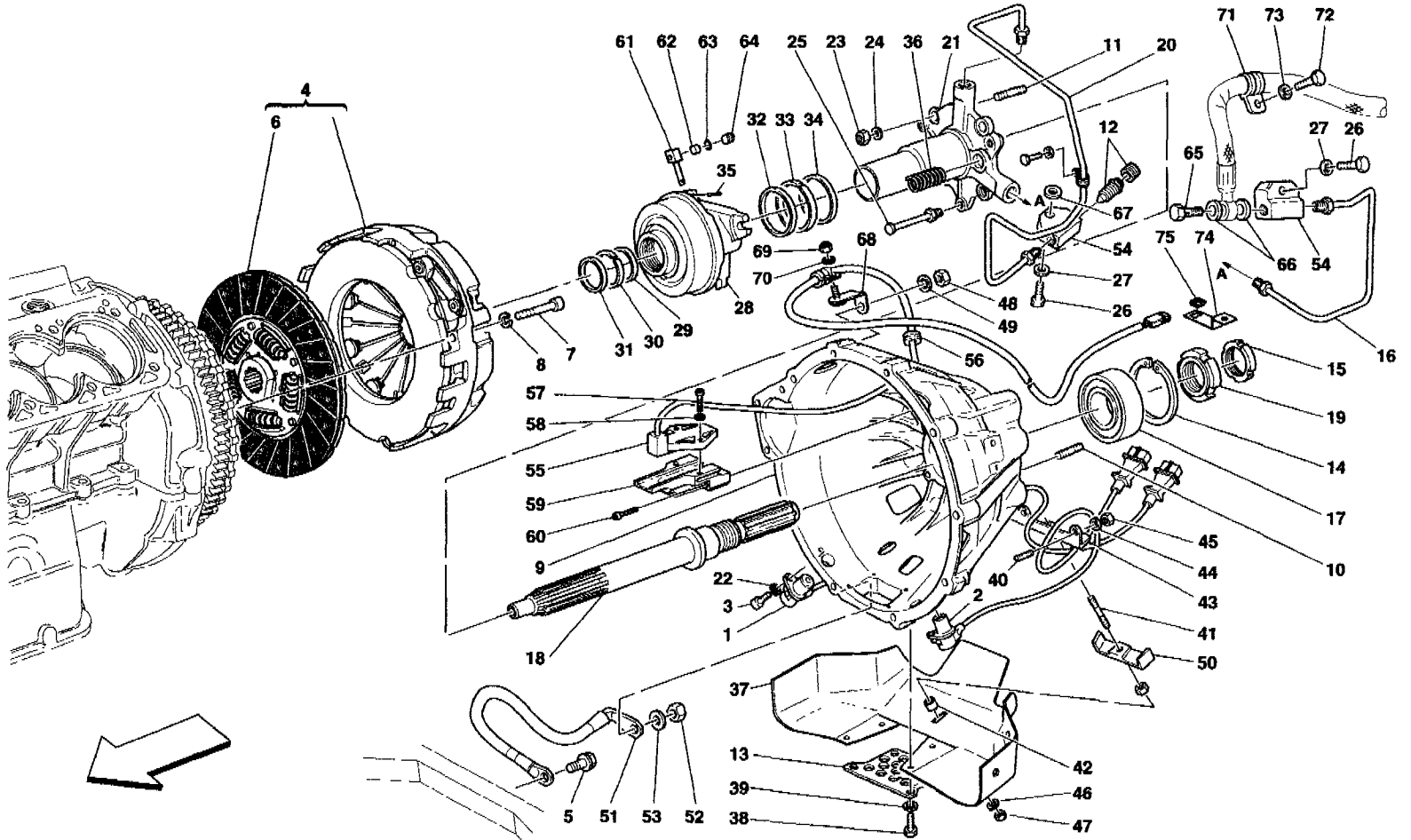
612 SCAGLIETTI - 26 - WATER PUMP

*	194677	1	COMPLETE WATER PUMP -For cars not USA and CDN valid till Ass. Nr. 55824-
*	209929	1	COMPLETE WATER PUMP -Not for USA and CDN- -Valid from Ass. Nr. 55825-
1	184002	1	WATER PUMP BODY
2	183681	1	THERMOSTATIC VALVE COVER -For cars not USA and CDN valid till Ass. Nr. 55824-
2	163952	1	THERMOSTATIC VALVE COVER -Not for USA and CDN- -Valid from Ass. Nr. 55825-
3	14433124	4	SCREW
4	12601274	4	WASHER
5	132349	1	UNION
6	10297760	1	GASKET
7	149279	1	O.R. GASKET
8	183758	1	THERMOSTAT
9	169924	1	PULLEY
10	102742	1	NUT
11	12646824	1	WASHER
12	10202320	1	DISC KEY
13	143742	1	BEARING WITH SHAFT
14	11059976	1	SEEGER RING
15	137873	1	GASKET
16	10298460	1	GASKET -For cars not USA and CDN valid till Ass. Nr. 55824-
17	180137	1	WATER TEMPERATURE SENSOR -For cars not USA and CDN valid till Ass. Nr. 55824-
18	130932	1	SEAL RING
19	137868	1	O.R. GASKET
20	176173	1	WATER PUMP COVER
21	102741	6	NUT
22	12601274	6	WASHER
23	13540924	6	STUD
24	194675	1	UNION
25	100436	1	CAP NUT
26	11194074	1	WASHER
27	176045	1	WATER PUMP IMPELLER
28	14306424	4	SCREW
29	11193874	4	WASHER
30	141250	1	O.R. GASKET
31	194679	1	HEAD WATER MANIFOLD
32	10158801	1	PLUG
33	180137	1	WATER TEMPERATURE SENSOR
34	10298460	1	GASKET
35	201456	1	BELT
36	141332	12	GASKET
37	132877	24	NUT -Not as spare part- -Replaced by 194031-
37	194031	24	NUT
38	155093	1	UNION
39	12604274	24	WASHER
40	181599	1	CONNECTION SLEEVE BEETWEN MANIFOLD AND WATER PUMP
41	134109	2	SCREW COLLAR -Not as spare part- -Replaced by 13000790-
41	13000790	2	SCREW COLLAR
42	176046	1	BUSHING FOR BY-PASS
43	11058376	1	SEEGER RING
44	176047	1	SPRING FOR BY-PASS
45	176048	1	PLUG FOR BY-PASS SPRING
46	147278	1	O.R. GASKET
47	195496	1	UNION



Ø12 SCÀGLIETTI - 27 - CLUTCH AND CONTROLS -Not for F1-

1	189548	1	R.H. SIDE ANGOLAR SPEED SENSOR
2	189540	1	L.H. SIDE ANGOLAR SPEED SENSOR
3	14305124	2	SCREW
4	194775	1	COMPLETE CLUTCH
5	16296421	1	SCREW
6	194776	1	CLUTCH DISC
7	14305974	9	SCREW
8	127494	9	WASHER
9	208102	1	COMPLETE CLUTCH HOUSING
9	195080	1	CLUTCH HOUSING -Not as spare part- -With complete clutch housing-
10	13546334	8	STUD
11	13543124	4	STUD
12	121699	1	BLEEDER SCREW
13	144441	1	CLUTCH HOUSING SMALL COVER
14	144511	1	STOP RING
15	165576	1	RING NUT
16	195133	1	OIL DELIVERY TUBE
17	145805	1	BEARING
18	165573	1	CLUTCH SHAFT
19	165575	1	RING NUT
20	195134	1	VENT PIPE
21	169137	1	FLANGE WITH SLEEVE
22	12601274	2	WASHER
23	133989	4	NUT
24	127496	4	WASHER
25	151693	1	PLATE
26	10977524	2	SCREW
27	127493	2	WASHER
28	177201	1	THRUST BEARING
29	154505	1	SEAL RING
30	154504	1	RING
31	154550	1	SCRAPER RING
32	154508	1	SEAL RING
33	154507	1	RING
34	154551	1	SCRAPER RING
35	13904970	1	FLEXIBLE PIN
36	155207	2	PRELOAD SPRING
37	204862	1	SHIELD FOR FASE SENSOR PROTECTION
38	10977824	4	SCREW
39	12601174	4	WASHER
40	13540824	2	STUD
41	155177	1	STUD
42	205046	1	SPACER
43	200137	1	SUPPORT
44	12639724	2	WASHER
45	102741	2	NUT
46	11199274	1	WASHER
47	15896470	1	NUT
48	16100814	5	NUT
49	12601374	5	WASHER
50	200138	1	SUPPORT
51	202266	1	GROUND CABLE
52	15896470	1	NUT
53	11199274	1	WASHER
54	139471	2	UNION
55	10902624	2	SCREW
56	11197774	2	WASHER
57	12647801	1	WASHER
58	10440990	1	BRACKET WITH SHEATH
59	10902024	1	SCREW
60	12639724	1	WASHER

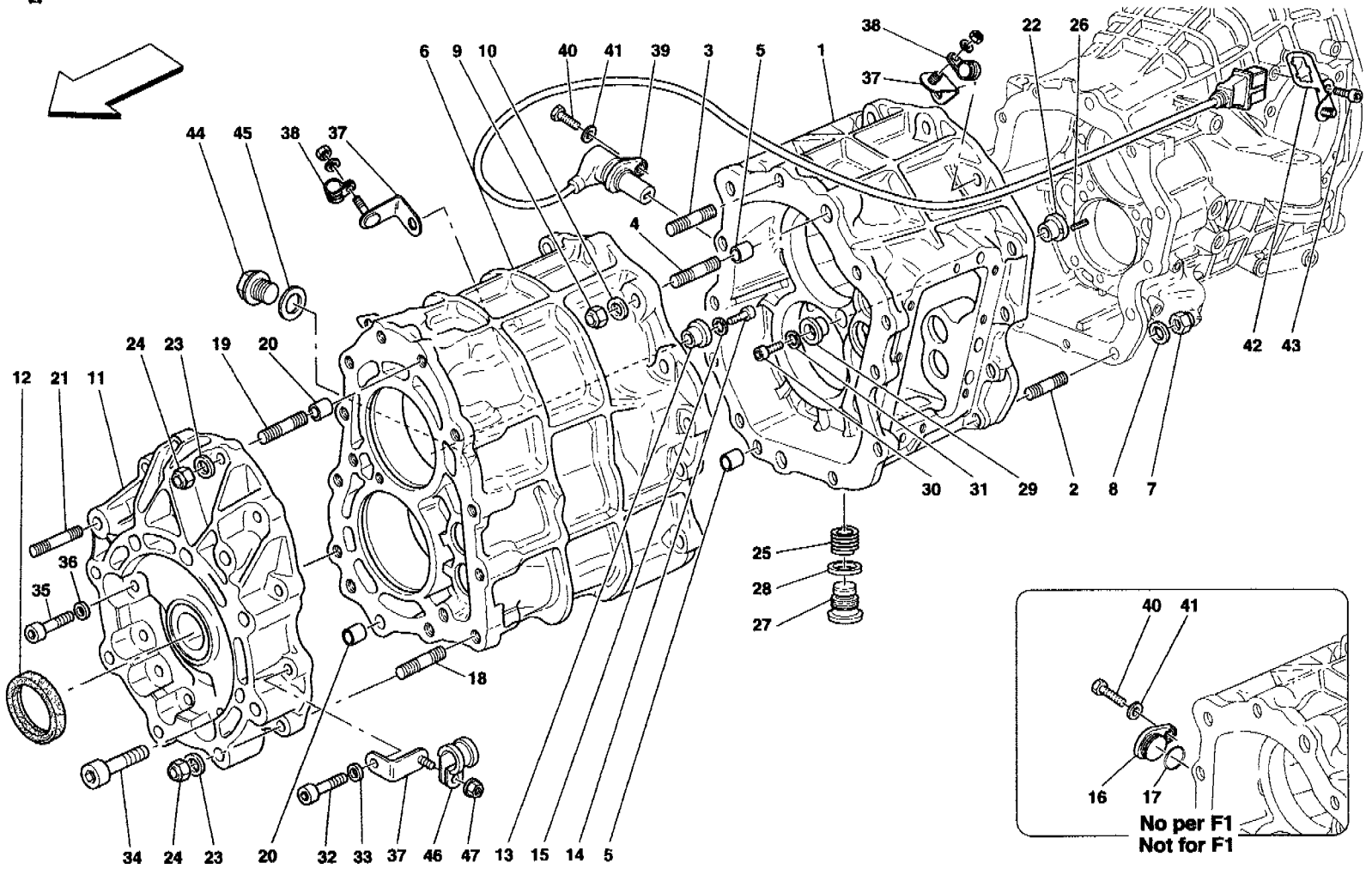


612 SCAGLIETTI - 28 - CLUTCH AND CONTROLS -Valid for F1-

1	189548	1	R.H. SIDE ANGULAR SPEED SENSOR
2	189540	1	L.H. SIDE ANGULAR SPEED SENSOR
3	14305124	2	SCREW
4	194775	1	COMPLETE CLUTCH
5	16296421	1	SCREW
6	194776	1	CLUTCH DISC
7	14305674	9	SCREW -Not as spare part- -Replaced by 14305974-
7	14305974	9	SCREW
8	127494	9	WASHER
9	208102	1	COMPLETE CLUTCH HOUSING
9	195080	1	CLUTCH HOUSING -Not as spare part- -With complete clutch housing-
10	13546334	8	STUD
11	13543124	4	STUD
12	121699	1	BLEEDER SCREW
13	144441	1	CLUTCH HOUSING SMALL COVER
14	144511	1	STOP RING
15	165576	1	RING NUT
16	195133	1	OIL DELIVERY TUBE
17	145805	1	BEARING
18	165573	1	CLUTCH SHAFT
19	165575	1	RING NUT
20	195134	1	VENT PIPE
21	170411	1	FLANGE FOR SERVOMECHANISM
22	12601274	2	WASHER
23	133989	4	NUT
24	127496	4	WASHER
25	166650	3	STUD
26	10902624	2	SCREW
27	11197774	2	WASHER
28	177205	1	THRUST BEARING
29	181838	1	SEAL RING
30	170416	1	RING
31	181837	1	SCRAPER RING
32	181828	1	SEAL RING
33	154507	1	RING
34	181836	1	SCRAPER RING
35	14158570	1	FLEXIBLE PIN
36	155207	2	PRELOAD SPRING
37	204862	1	SHIELD FOR FASE SENSOR PROTECTION
38	10977824	4	SCREW
39	12601174	4	WASHER
40	13540824	2	STUD
41	155177	1	STUD
42	205046	1	SPACER
43	200137	1	SUPPORT
44	12639724	2	WASHER
45	102741	2	NUT
46	11199274	1	WASHER
47	15896470	1	NUT
48	16100814	5	NUT
49	12601374	5	WASHER
50	146654	1	SUPPORT
51	202266	1	GROUND CABLE
52	15896470	1	NUT
53	11199274	1	WASHER
54	139471	2	UNION
55	182311	1	COMPLETE SENSOR KIT -Includes sensor + cable grommet ref.56 and magnet ref.62-
56	10398480	1	CABLE GROMMET -Not supplied--

57	14303324	2	-Included in 182311- SCREW
58	10519224	2	WASHER
59	200165	1	SENSOR SUPPORT
60	14304424	2	SCREW
61	166676	1	PIN
62	165676	1	MAGNET
			-Not supplied--
			-Included in 182311-
63	165658	1	O.R. GASKET
64	167802	1	PLUG
65	171454	1	UNION
66	10261060	2	GASKET
67	12647801	1	WASHER
68	149694	1	BRACKET
69	102741	1	NUT
70	12639724	1	WASHER
71	10441590	1	BRACKET
72	10902024	1	SCREW
73	12639724	1	WASHER
74	214436	1	BRACKET FOR CONNECTOR FIXING
75	187161	1	CLIP

612 SCAGLIETTI - 29 - GEARBOX

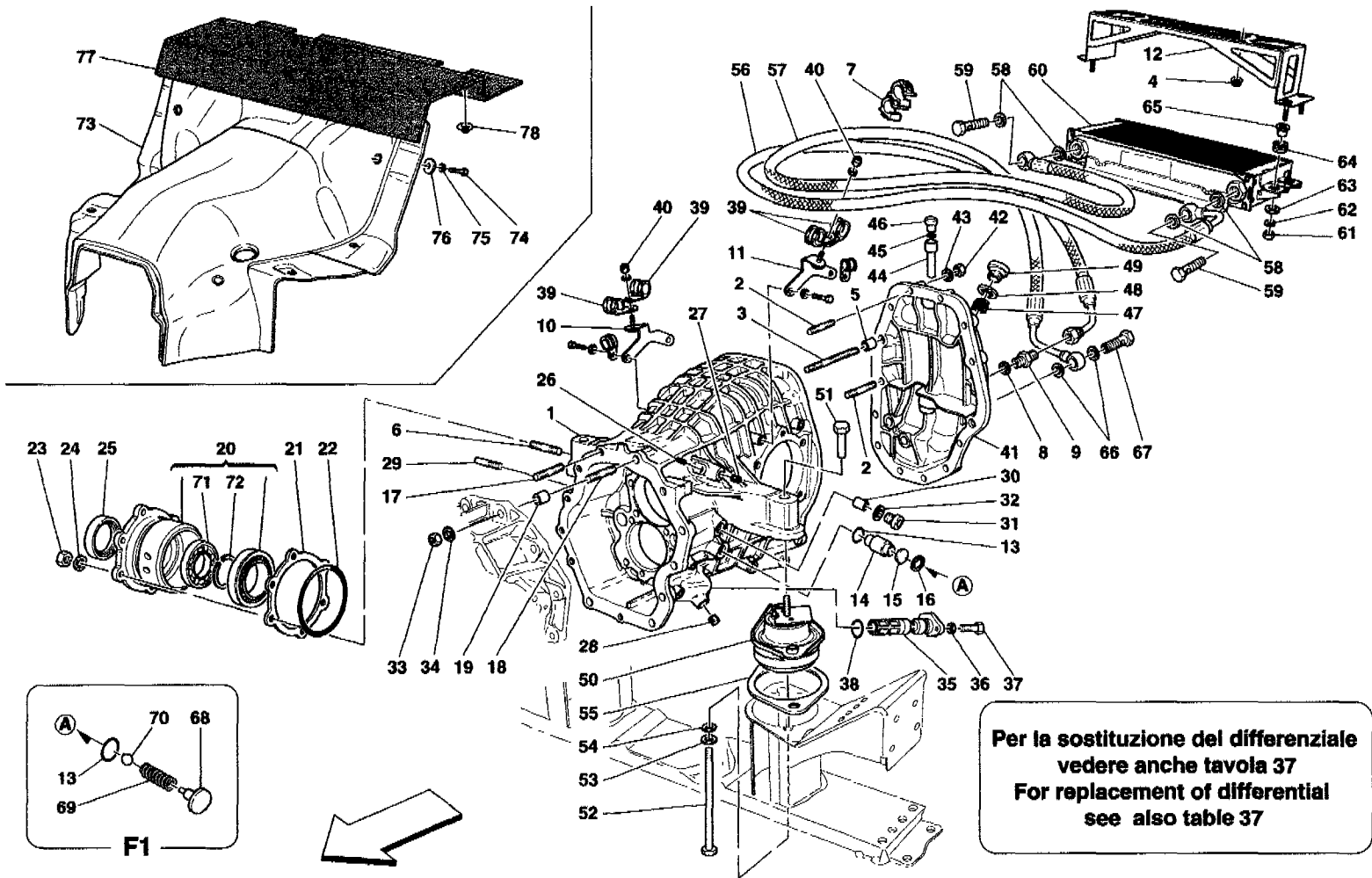


No per F1
Not for F1

612 SCAGLIETTI - 29 - GEARBOX

*	200431	1	COMPLETE GEARBOX ASSEMBLY -Valid till engine Nr. 90177- -Not as spare part-
*	210492	1	COMPLETE GEARBOX ASSEMBLY -Valid from engine Nr. 90178 (gearbox Nr. 3)-
1	189790	1	GEAR BOX 3rd ELEMENT -With the complete gearbox 200431-
2	13543524	4	STUD
3	13543524	11	STUD
4	13543624	2	STUD
5	102704	2	CENTERING DOWEL
6	189712	1	GEAR BOX 2nd ELEMENT -With the complete gearbox 200431-
7	16100812	13	NUT
8	12601374	13	WASHER
9	16100812	13	NUT
10	12601374	13	WASHER
11	195200	1	COMPLETE GEAR BOX 1st ELEMENT
12	172363	1	GASKET
13	131757	1	BUSHING
14	14305731	1	SCREW
15	10569274	1	WASHER
16	185721	1	PLUG -Not for F1-
17	14453481	1	O.R. GASKET -Not for F1-
18	13543424	8	STUD
19	13543624	2	STUD
20	102704	2	CENTERING DOWEL
21	13546334	3	STUD
22	157010	1	BUSHING
23	12601374	10	WASHER
24	16100814	10	NUT
25	112254	1	THREADED INSERT
26	14159470	1	PIN
27	183962	1	OIL OUTLET PLUG
28	10263460	1	GASKET
29	157009	1	BUSHING
30	14305731	1	SCREW
31	10569274	1	WASHER
32	14306824	3	SCREW -M8x45-
33	11198579	3	WASHER
34	14307834	3	SCREW -M10x45-
35	14306724	1	SCREW -M8x40-
35	14306624	3	SCREW -M8x35-
36	14499421	4	WASHER
37	203585	8	BRACKET -Valid for F1-
38	10441690	2	BRACKET WITH SHEATH -Valid for F1-
39	168729	1	ELECTRO-MAGNETIC SENSOR -Valid for F1-
40	10902224	1	SCREW
41	11194377	1	WASHER
42	198901	1	BRACKET FOR CONNECTOR FIXING -Valid for F1-
43	16297624	1	SCREW -Vaid for F1-
44	10275011	1	THREADED PLUG
45	10263460	1	GASKET
46	10441190	5	BRACKET WITH SHEATH -Valid for F1-
47	14058411	5	NUT -Valid for F1-

612 SCAGLIETTI - 30 - DIFFERENTIAL CARRIER AND CLUTCH COOLING RADIATOR



Per la sostituzione del differenziale
 vedere anche tavola 37
 For replacement of differential
 see also table 37

612_SCAGLIETTI - 30 - DIFFERENTIAL CARRIER AND CLUTCH COOLING RADIATOR

*	200431	1	COMPLETE GEARBOX ASSEMBLY -Valid till engine Nr. 90177- -Not as spare part-
*	210492	1	COMPLETE GEARBOX ASSEMBLY -Valid from engine Nr. 90178 (gearbox Nr. 3)-
1	195650	1	GEAR BOX 4rd ELEMENT -Valid for F1- -With the complete gearbox 200431-
1	190798	1	GEAR BOX 4rd ELEMENT -Not for F1- -With the complete gearbox 200431-
2	13543624	10	STUD
3	13543724	4	STUD
4	14048115	4	NUT
5	102704	2	CENTERING DOWEL
6	13546224	12	STUD
7	140728	2	FIXING CLIP
8	10259960	1	GASKET
9	198141	1	UNION
10	199017	1	R.H. BRACKET
11	199018	1	L.H. BRACKET
12	202294	1	OIL RADIATOR BRACKET FIXING
13	14453381	1	O.R. GASKET
14	153719	1	PIN -Not for F1-
15	154698	1	PAD -Not for F1-
16	11057476	1	SEEGER RING
17	13543524	6	STUD
18	13543624	1	STUD
19	102704	2	CENTERING DOWEL
20	189098	1	COMPLETE R.H. DIFFERENTIAL COVER
20	189100	1	COMPLETE L.H. DIFFERENTIAL COVER
21	150099	2	DIFFERENTIAL COVER THRUST THINCKNESS mm. 1,3
21	150100	-	DITTO THINCKNESS mm. 1.4
21	150101	-	DITTO THINCKNESS mm. 1.5
21	150102	-	DITTO THINCKNESS mm. 1.6
21	150103	-	DITTO THINCKNESS mm. 1.7
21	150104	-	DITTO THINCKNESS mm. 1.8
21	150105	-	DITTO THINCKNESS mm. 1.9
21	150106	-	DITTO THINCKNESS mm. 1.45
21	150107	-	DITTO THINCKNESS mm. 1.55
21	150108	-	DITTO THINCKNESS mm. 1.65
21	175378	-	DITTO THINCKNESS mm. 1.75
22	14461381	2	O.R. GASKET
23	12164721	12	NUT
24	12601474	12	WASHER
25	181618	1	R.H. GASKET
25	181617	1	L.H. GASKET
26	10267550	2	THREADED PLUG
27	14326150	1	THREADED PLUG
28	14326050	1	PLUG
29	16183021	1	SCREW
30	115376	3	BUSHING
31	150731	1	PLUG
32	10282460	1	GASKET
33	16100812	13	NUT
34	12601374	13	WASHER
35	143939	1	OIL FILTER ON THE GEAR BOX
36	11199277	2	WASHER
37	10977624	2	SCREW
38	182119	1	O.R. GASKET
39	10441590	4	BRACKET WITH SHEATH
40	102741	2	NUT
41	190240	1	GEARBOX REAR COVER
42	16100812	14	NUT
43	12601374	14	WASHER

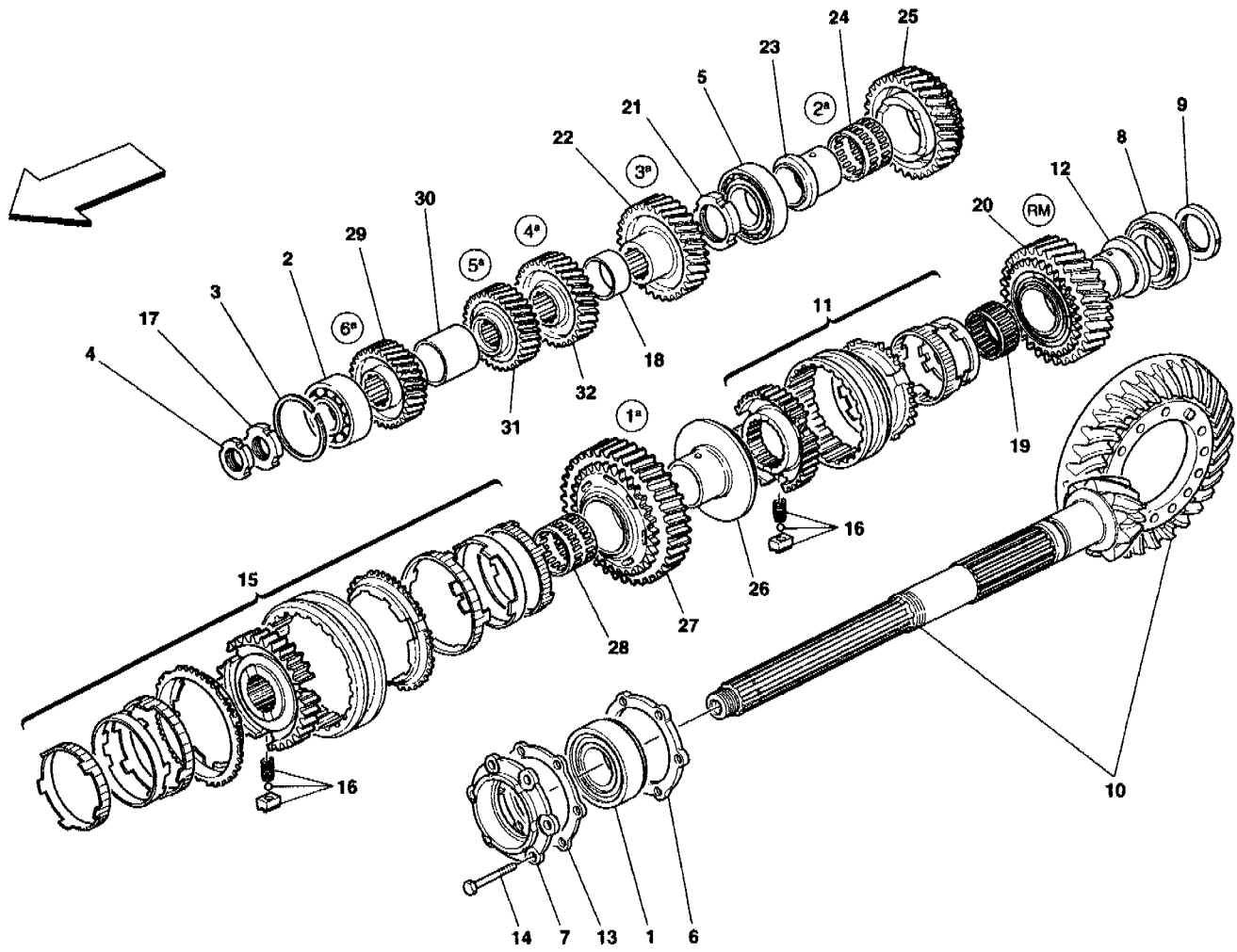
44	153500	1	EXTENSION FOR OIL EXHAUST
45	13415400	1	OIL DEFLECTOR DISC FOR VENT
46	13414691	1	OIL BREATHER
47	112254	1	THREADED INSERT
48	10263460	1	GASKET
49	10275011	1	PLUG
50	196868	2	FLEXIBLE PAD
51	196888	2	CENTERING STUD
52	195966	4	SCREW
53	14496624	4	WASHER
54	12601474	4	WASHER
55	196333	2	SUPPORT PLATE FOR ENGINE PAD
56	203323	1	OIL RETURN TUBE
57	203322	1	OIL DELIVERY TUBE
58	10261560	4	GASKET
59	10181911	2	UNION
60	200534	1	OIL RADIATOR
61	14048115	3	NUT
62	127494	3	WASHER
63	12644424	3	WASHER
64	103549	3	CABLE GROMMET
65	149707	3	SPACER
66	10259960	2	GASKET
67	195589	1	UNION
68	193578	1	BUSHING
69	100750	4	-Valid for F1- SPRING
70	101612	4	-Valid for F1- BALL
71	184995	1	BALL BEARING
72	185723	1	SEEGER RING
73	66964000	1	HEAT PROTECTION SHIELD
73	67622200	1	-Valid for F1- HEAT PROTECTION SHIELD -Not for F1-
74	10902380	8	SCREW
75	14488670	8	WASHER
76	12643770	8	WASHER
77	66965600	1	SHIELD
78	14228076	5	PLATE
78	68313900	5	-Not as spare part- -Replaced by 68313900- PLATE

612 SCAGLIETTI - 31 - MAIN SHAFT GEARS AND CLUTCH OIL PUMP

1	144502	1	BEARING FOR MAIN SHAFT PUMP OIL SIDE
2	144444	1	SUPPORT RING
3	16287124	1	SCREW
4	194029	2	PAD FOR SYNCHRONIZER/BALL/ SPRING REPLACEMENT KIT
5	10269550	2	PLUG
6	14452981	1	O.R. GASKET
7	197563	1	PINION FOR 5th GEAR
8	189689	1	5th AND 6th GEAR COMPLETE SYNCHRONIZER
9	189657	1	3th AND 4th GEAR COMPLETE SYNCHRONIZER
10	204984	1	OIL RETURN PIPE
11	204983	1	OIL DELIVERY PIPE
12	195810	1	RING
13	189700	1	RING
14	189693	1	PINION FOR 6th GEAR
15	189573	1	PLUG
16	131056	1	ROLLER BEARING
17	189526	1	MAIN SHAFT FOR GEAR LEVER -Valid till engine Nr. 90177- -Not as spare part-
17	210495	1	MAIN SHAFT FOR GEAR LEVER -Valid from engine Nr. 90178 (gearbox Nr. 3)-
18	14601270	1	FLEXIBLE PIN
19	109724	1	O.R. GASKET
20	163670	1	RING NUT
*	196155	1	COMPLETE OIL PUMP BODY
21	195013	1	OIL PUMP BODY -With complete oil pump body-
22	16044321	4	SCREW
23	12601374	4	WASHER
24	163684	1	RING NUT
25	102704	1	CENTERING DOWEL
26	14326150	1	PLUG
27	14303521	4	SCREW
28	10571379	4	WASHER
29	185458	1	COMPLETE BEARBOX OIL PUMP
30	137192	1	O.R. GASKET
31	135770	1	BALL
32	171889	1	SPRING
33	162315	1	SPACER
34	11057576	1	SEEGER RING
35	150577	2	UNION
36	10257060	2	GASKET
37	137192	1	GASKET
38	14453281	1	GASKET
39	189570	1	IDLE GEAR FOR REVERSE -Valid till engine Nr. 90177- -Not as spare part-
39	210496	1	IDLE GEAR FOR REVERSE -Valid from engine Nr. 90178 (gearbox Nr. 3)-
40	189707	1	RING NUT
41	189708	1	RING NUT
42	189704	1	SPACER -Th. mm 3,9-
42	189709	1	SPACER -Th. mm 4,15-
43	109002	1	ROLLER CAGE
44	189705	1	BUSHING
45	109002	1	ROLLER CAGE
46	195809	1	BUSHING
47	109002	1	ROLLER CAGE
48	195809	1	BUSHING
49	109002	1	ROLLER CAGE

50	189656	1	BUSHING
51	197562	1	PINION FOR 4th GEAR
52	189659	1	PINION FOR 3RD GEAR
53	189574	1	PIN -Valid till gearbox Nr. 198-
53	211960	1	PIN -Valid from gearbox Nr. 199-
54	158272	2	FLEXIBLE RING -Valid till gearbox Nr. 198-
54	211962	1	FLEXIBLE RING -Valid from gearbox Nr. 199-
55	193891	2	SPACER WASHER -Th. mm. 4,0- -Q.ty 1 from gearbox Nr. 199-
55	193892	2	SPACER WASHER -Th. mm. 4,1- -Q.ty 1 from gearbox Nr. 199-
55	193893	2	SPACER WASHER -Th. mm. 3,9- -Q.ty 1 from gearbox Nr. 199-
56	104256	2	ROLLER CAGE
57	103030	1	ROLLER BEARING
58	144511	1	STOP RING
59	211961	1	SPACER BUSHING -Valid from gearbox Nr. 199-

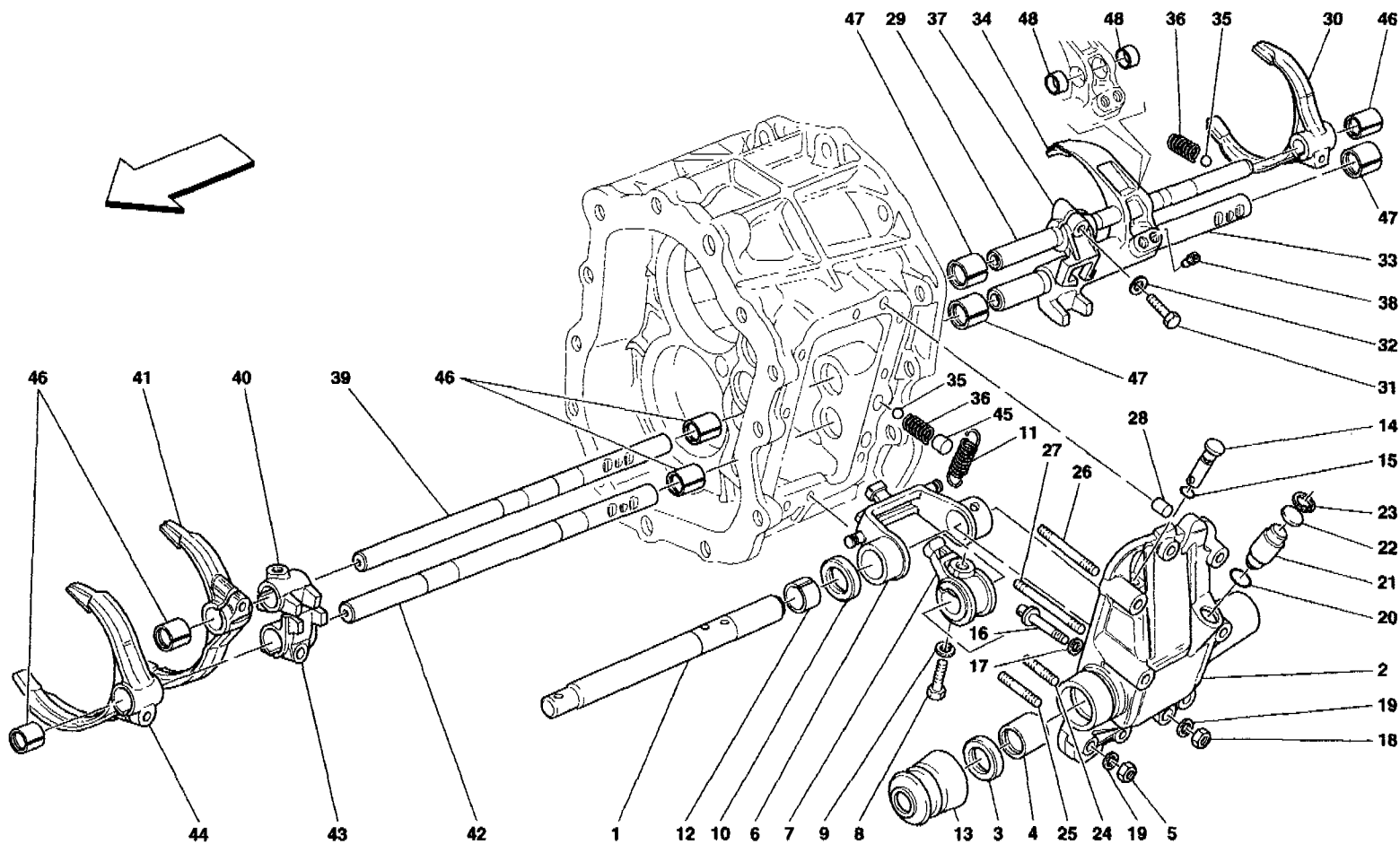
612 SCAGLIETTI - 32 - LAY SHAFT GEARS



6.12 SCAGLIETTI - 32 - LAY SHAFT GEARS

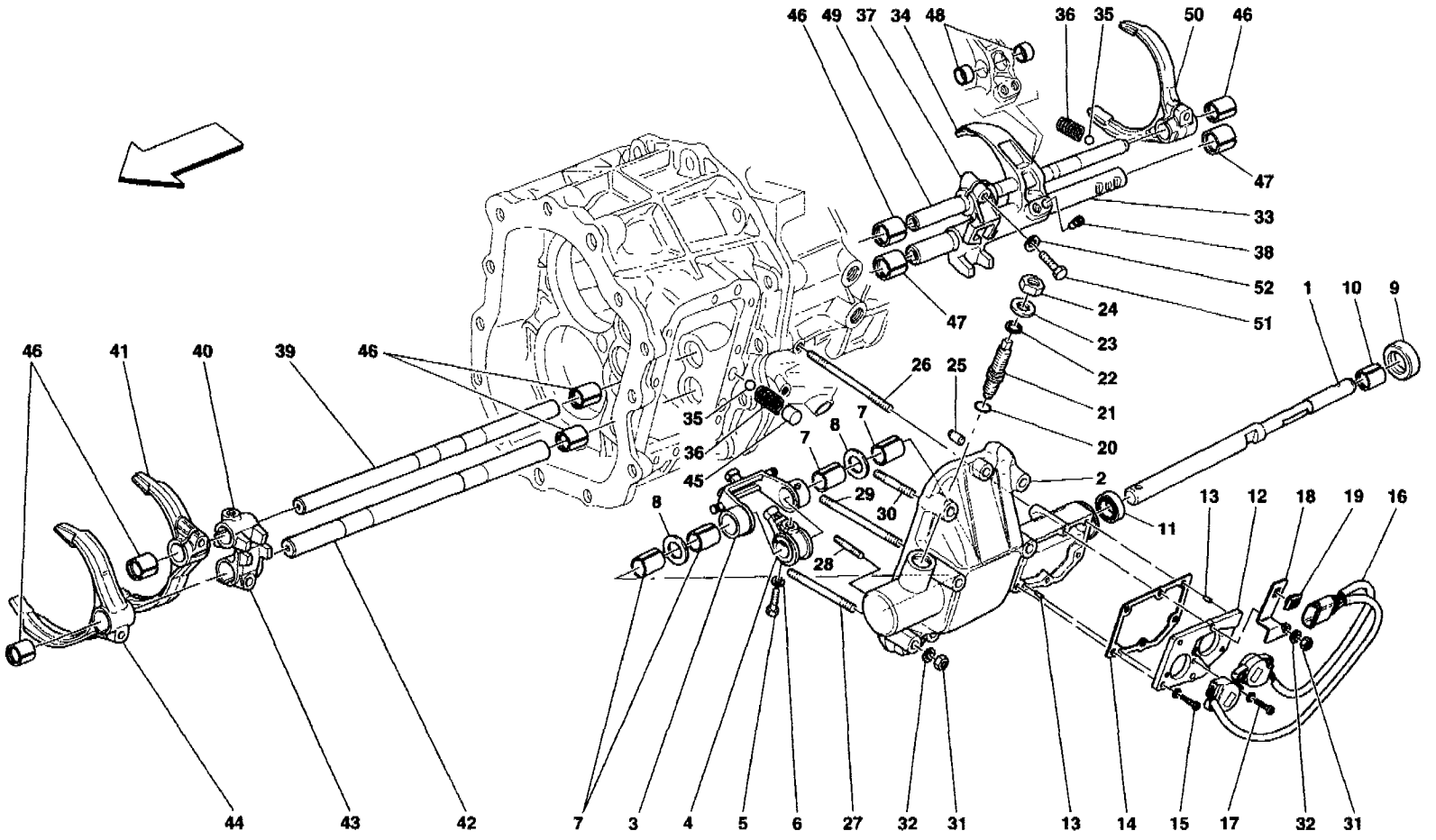
1	144498	1	BEARING FOR DRIVEN SHAFT DIFFERENTIAL SIDE
2	103030	1	ROLLER BEARING
3	144511	1	STOP RING
4	163684	1	RING NUT
5	131056	1	ROLLER BEARING
6	143924	1	RING
7	189460	1	BUSHING
8	189462	1	ROLLER BEARING
9	189459	1	SPACER
10	203538	1	COMPLETE BEVEL GEAR PAIR R.11/46
11	189522	1	REVERSE GEAR COMPLETE SYNCHRONIZER
12	189525	1	BUSHING
13	155718	1	SPACER Thick. mm. 2,4
13	155721	1	SPACER Thick. mm. 2,4
13	155722	1	SPACER Thick. mm. 2,4
14	16321430	6	SCREW
15	189587	1	1th AND 2th GEAR COMPLETE SYNCHRONIZER
16	194029	2	PAD FOR SYNCHRONIZER/BALL/ SPRING REPLACEMENT KIT
17	163670	1	RING NUT
18	189701	1	SPACER
19	150004	1	ROLLER CAGE
20	189524	1	REVERSE GEAR -Valid till engine Nr. 90177- -Not as spare part-
20	210497	1	REVERSE GEAR -Valid from engine Nr. 90178 (gearbox Nr. 3)-
21	189747	1	RING NUT
22	189655	1	PINION FOR 3rd GEAR
23	189590	1	BUSHING
24	189580	1	ROLLER CAGE
25	189589	1	PINION FOR 2nd GEAR
26	189579	1	BUSHING
27	189588	1	PINION FOR 1st GEAR
28	189580	1	ROLLER CAGE
29	189703	1	PINION FOR 6th GEAR
30	189702	1	SPACER
31	189670	1	PINION FOR 5th GEAR
32	189668	1	PINION FOR 4th GEAR

612 SCAGLIETTI - 33 - INSIDE GEARBOX CONTROLS -Not for F1-



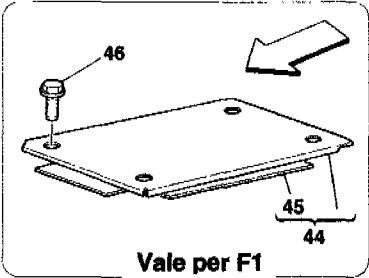
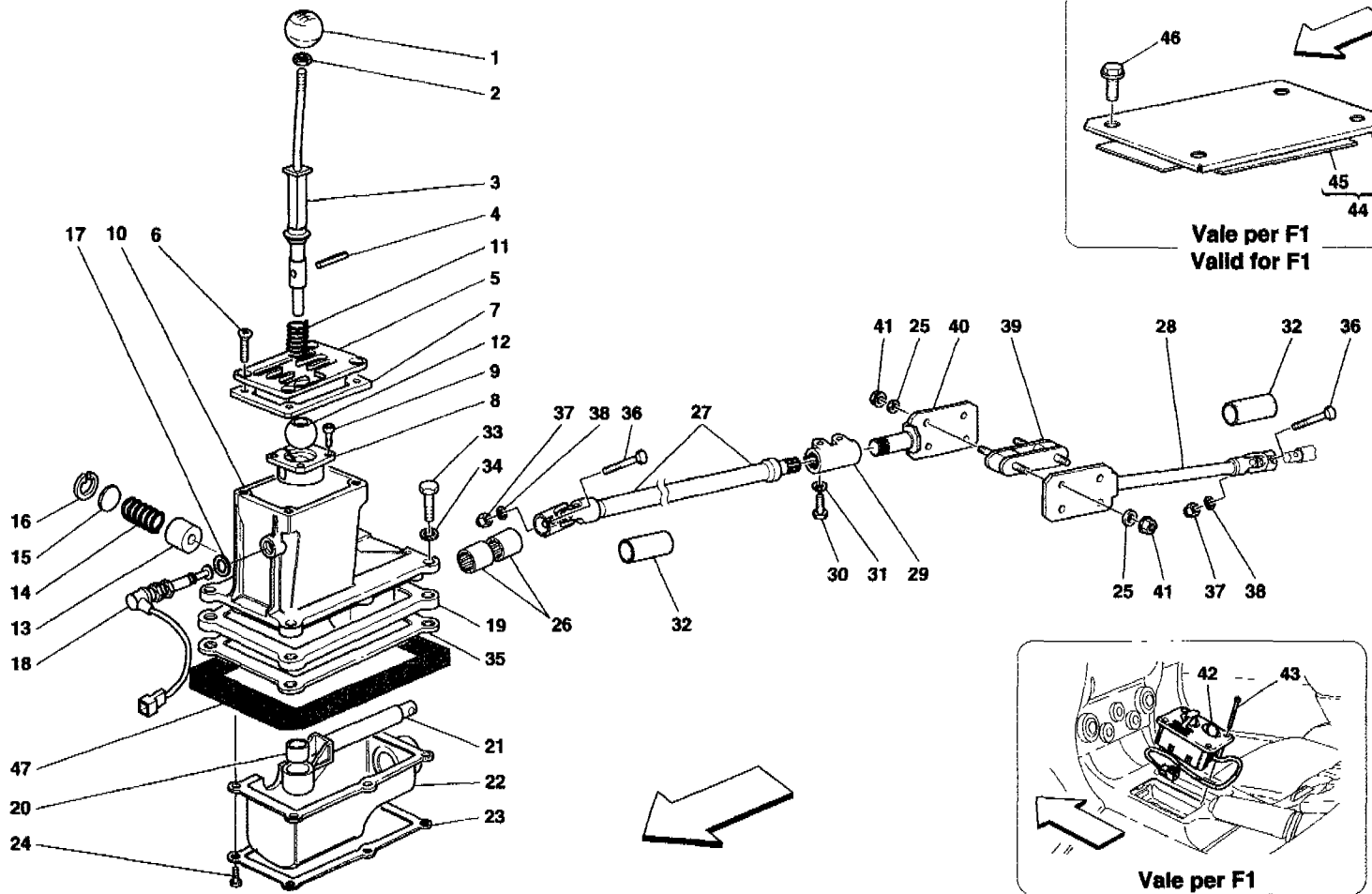
612 SCAGLIETTI - 33 - INSIDE GEARBOX CONTROLS -Not for F1-

1	146224	1	CONTROL ROD FOR GEARBOX
2	153697	1	INSIDE GEARBOX CONTROLS COVER
3	146306	1	GASKET
4	149907	2	BUSHING
5	15896211	8	NUT
6	193890	1	ROCKER
7	193914	1	SMALL LEVER
8	11306930	1	SCREW
9	10571879	1	WASHER
10	147346	2	WASHER
11	150737	2	SPRING
12	103226	2	BUSHING
13	147572	1	RUBBER BOOT
14	154714	1	PIN
15	132934	1	GASKET
16	193894	1	PIN
17	10297760	1	GASKET
18	15896211	1	NUT
19	11194377	9	WASHER
20	14453381	1	O.R. GASKET
21	153719	1	PIN
22	154698	1	PAD
23	11057476	1	STOP RING
24	13541224	2	STUD
25	13541524	2	STUD
26	13541624	2	STUD
27	13542024	2	STUD
28	125717	2	CENTERING DOWEL
29	189527	1	CONTROL ROD FOR REVERSE
30	189528	1	CONTROL FORK FOR REVERSE
31	16043634	6	SCREW
32	10571779	6	WASHER
33	189531	1	ROD FOR 1st AND 2nd GEAR
34	189530	1	CONTROL FORK FOR 1st AND 2nd GEAR
35	101612	3	BALL
36	100750	3	SPRING
37	193901	1	ROD FORK REVERSE GEAR
38	142245	2	SCREW
39	158051	1	ROD FOR 3rd AND 4th GEAR
40	171829	1	ROD FORK FOR 3rd AND 4th GEAR
41	189532	1	CONTROL FORK FOR 3rd AND 4th GEAR
42	189533	1	ROD FOR 5th AND 6th GEAR
43	193902	1	ROD FORK FOR 5th AND 6th GEAR
44	189534	1	CONTROL FORK FOR 5th AND 6th GEAR
45	150173	1	SPACER
46	106500	6	BUSHING
47	150093	2	BUSHING
48	185566	2	SELF-LUBRICATING BUSHING

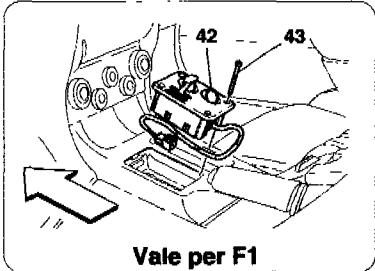


612 SCAGLIETTI - 34 - INSIDE GEARBOX CONTROLS -Valid for F1-

1	186450	1	CONTROL ROD FOR GEARBOX
2	186432	1	INSIDE GEARBOX CONTROLS COVER
3	193890	1	ROCKER
4	193914	1	SMALL LEVER
5	11306930	1	SCREW
6	10571879	1	WASHER
7	103226	4	BUSHING
8	147346	2	WASHER
9	184047	1	BUSHING
10	192067	1	SELF-LUBRICATING BUSHING
11	146306	1	GASKET
12	187682	1	FLANGE SUPPORTIG POTENTIOMETERS
13	192867	2	PIN
14	186514	1	GASKET
15	192866	3	SCREW
16	193442	1	POTENTIOMETERS KIT
17	192865	4	SCREW
18	185198	1	CONNECTOR FIXING BRACKET -Not as spare part- -Replaced by 208419-
18	208419	1	CONNECTOR FIXING BRACKET
19	187161	1	FIXING CLIP
20	127816	1	O.R. GASKET
21	184040	1	PIN
22	178306	1	RING
23	14496624	1	WASHER
24	12164721	1	NUT
25	125717	2	CENTERING DOWEL
26	13541924	2	STUD
27	13541524	2	STUD
28	13541224	2	STUD
29	13542024	2	STUD
30	13541624	2	STUD
31	15896211	8	NUT
32	11194377	8	WASHER
33	189531	1	ROD FOR 1st AND 2nd GEAR
34	189530	1	CONTROL FORK FOR 1st AND 2nd GEAR
35	101612	3	BALL
36	100750	3	SPRING
37	193901	1	ROD FORK REVERSE GEAR
38	142245	2	SCREW
39	158051	1	ROD FOR 3rd AND 4th GEAR
40	171829	1	ROD FORK FOR 3rd AND 4th GEAR
41	189532	1	CONTROL FORK FOR 3rd AND 4th GEAR
42	189533	1	ROD FOR 5th AND 6th GEAR
43	193902	1	ROD FORK FOR 5th AND 6th GEAR
44	189534	1	CONTROL FORK FOR 5th AND 6th GEAR
45	150173	1	SPACER
46	106500	6	BUSHING
47	150093	2	BUSHING
48	185566	2	SELF-LUBRICATING BUSHING
49	189527	1	CONTROL ROD FOR REVERSE
50	189528	1	CONTROL FORK FOR REVERSE
51	16043634	6	SCREW
52	10571779	6	WASHER



Vale per F1
Valid for F1



Vale per F1
Valid for F1

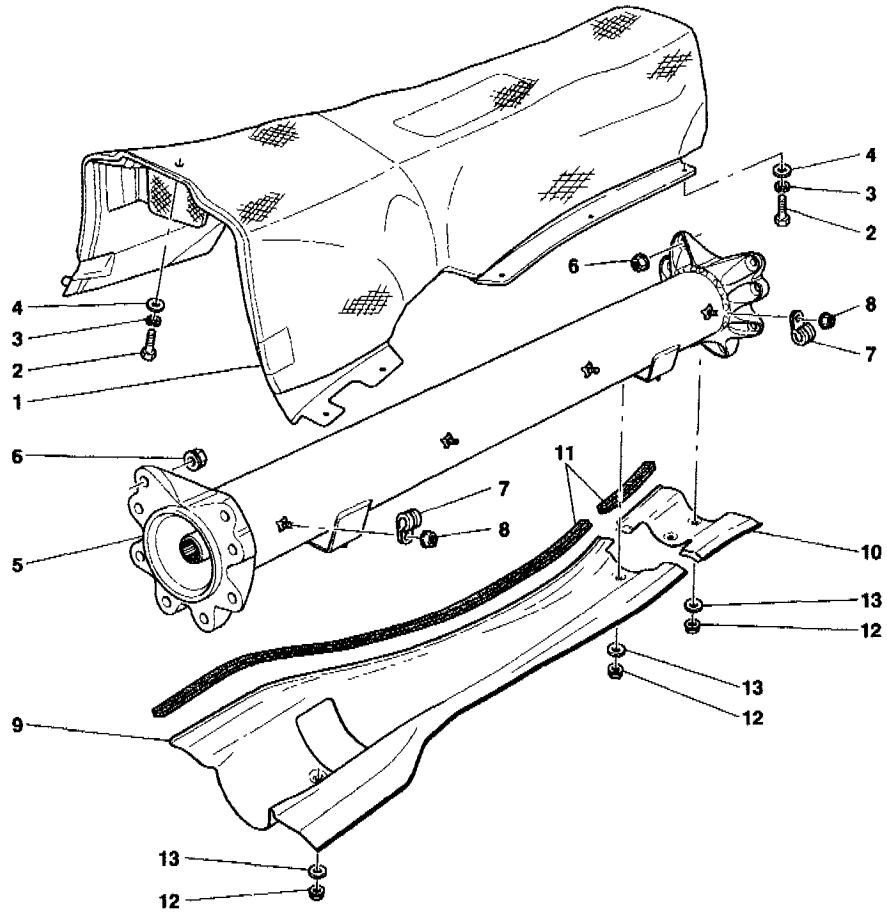
612 SCAGLIETTI - 35 - OUTSIDE GEARBOX CONTROLS

1	154800	1	KNOB -Not for F1- -Not as spare part- -Replaced by 156712-
1	156712	1	KNOB -Not for F1-
2	108010	1	COUNTER NUT -Not for F1-
3	195325	1	GEARBOX CONTROL LEVER -Not for F1- -Not for GD
3	195332	1	GEARBOX CONTROL LEVER -Not for F1- -Valid for GD-
4	146994	1	PIN -Not for F1-
5	167127	1	GEAR SELECTOR -Not for F1- -Not for GD-
5	175705	1	GEAR SELECTOR -Not for F1- -Valid for GD-
6	157883	4	SCREW -Not for F1- -Not for GD- -Not as spare part- -Replaced by 209152-
6	209152	4	SCREW -Not for F1- -Not for GD-
6	209159	4	SCREW -Not for F1- -Valid for GD-
7	168955	1	GASKET -Not for F1- -Not for GD-
7	171823	1	GASKET -Not for F1- -Valid for GD-
8	154741	1	BUSHING -Not for F1-
9	14303024	4	SCREW -Not for F1-
10	199725	1	TURRET -Not for F1- -Not for GD-
10	208139	1	TURRET -Not for F1- -Valid for GD-
11	159137	1	SPRING -Not for F1-
12	154745	1	BALL -Not for F1-
13	178692	1	PIN -Not for F1- -Not for GD-
14	103318	1	SPRING -Not for F1-
15	156101	1	SPRING RETAINING DISC -Not for F1-
16	103326	1	SEEGER RING -Not for F1-
17	12601574	1	WASHER -Not for F1-
18	115980	1	SWITCH -Not for F1-
19	155813	1	GASKET -Not for F1-

19	212959	1	-Not for GD- -Not as spare part- -Replaced by 212959- GASKET
19	158341	1	-Not for F1- -Not for GD- GASKET
19	212981	1	-Not for F1- -Valid for GD- -Not as spare part- -Replaced by 212981- GASKET
20	127446	1	-Not for F1- BALL JOINT SEAT
21	155480	1	ROCKER IN TURRET
22	156128	1	-Not for F1- RUBBER BOOT
22	157962	1	-Not for F1- -Not for GD- RUBBER BOOT
23	156129	1	-Not for F1- -Valid for GD- FRAME
23	157961	1	-Not for GD- FRAME
24	10444621	6	-Not for F1- -Valid for GD- SCREW
25	12601374	8	WASHER
26	183982	2	-Not for F1- BUSHING
27	193666	1	-Not for F1- FRONT CONTROL BAR FOR GEAR BOX
28	193667	1	-Not for F1- REAR CONTROL BAR FOR GEAR BOX
28	209442	1	-Not for F1- -Valid till stock exhaustion- REAR CONTROL BAR FOR GEAR BOX
29	155473	1	-Not for F1- CONNECTION
30	16043624	2	-Not for F1- SCREW
31	127496	2	-Not for F1- WASHER
32	160834	2	-Not for F1- SHEATH
33	16043724	4	-Not for F1- SCREW
34	12601374	4	-Not for F1- WASHER
35	159762	1	-Not for F1- SPACER
36	125515	2	-Possible fitting- -Not for F1- SCREW
36	10903021	2	-Not for F1- -Not as spare part- -Replaced by 10903021- SCREW
37	102948	2	-Not for F1- NUT
38	125516	2	-Not for F1- WASHER

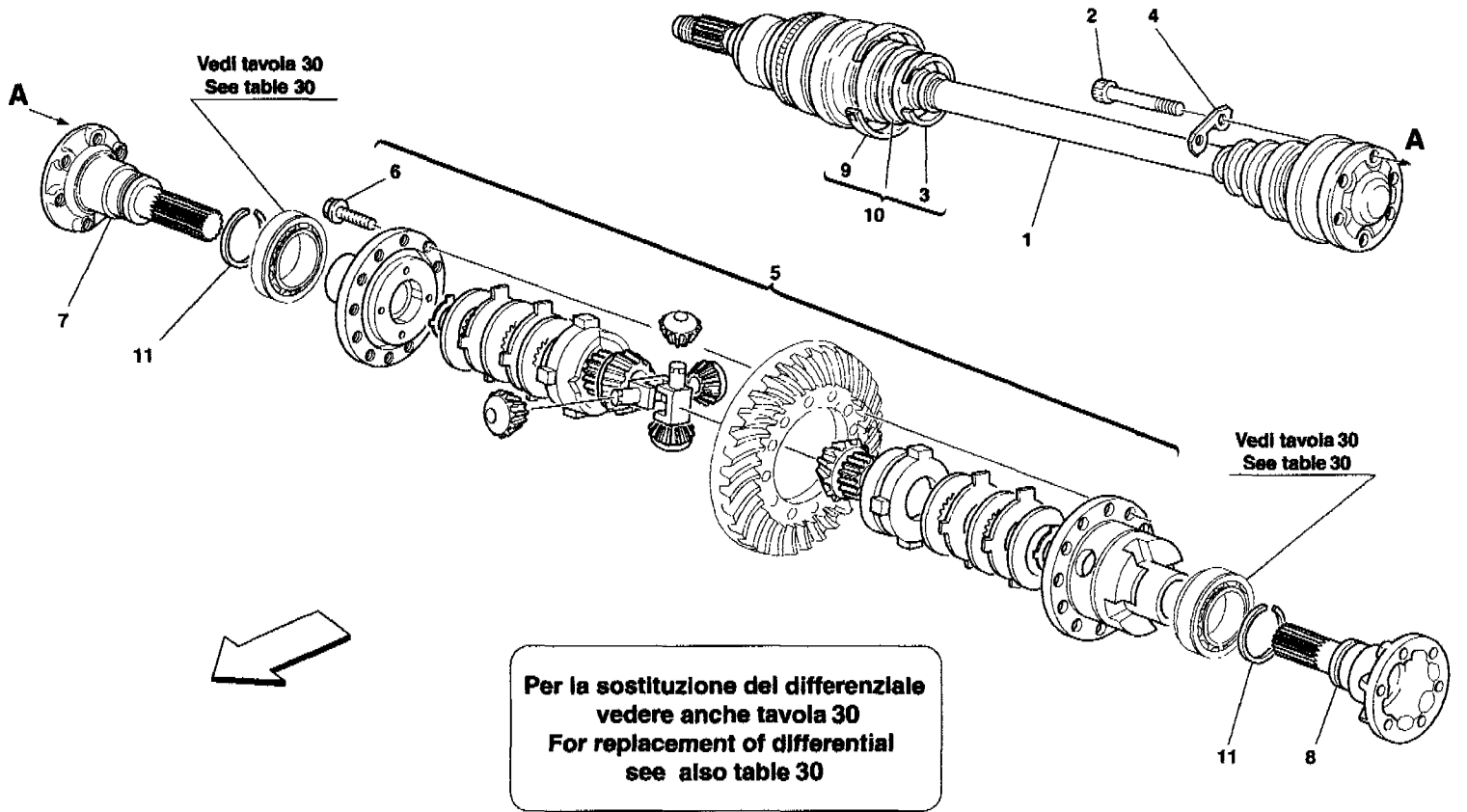
38	13550201	2	-Not for F1- -Not as spare part- -Replaced by 13550201- WASHER
39	163926	2	-Not for F1- FIXING PAD
40	169976	1	-Not for F1- BAR FIXING
41	14058519	8	-Not for F1- NUT
42	195071	1	-Not for F1- F1 GEARBOX CONTROL DASHBOARD
42	208685	1	-Valid for F1- -Not for GD- -Not as spare part- -Replaced by 208685- F1 GEARBOX CONTROL DASHBOARD
42	208686	1	-Valid for F1- -Not for GD- F1 GEARBOX CONTROL DASHBOARD
43	65404500	4	-Valid for F1- -Valid for GD- SCREW
43	68123900	4	-Valid for F1- -Not as spare part- -Replaced by 68123900- SCREW
44	65200400	1	-Valid for F1- COVER CLOSING TUNNEL
45	65200500	1	-Valid for F1- INSULATION
46	16287024	4	-Valid for F1- SCREW
47	209923	1	-Valid for F1- GASKET -Not for F1-

612 SCAGLIETTI - 36 - ENGINE/GEARBOX CONNECTING TUBE AND INSULATION



612 SCAGLIETTI - 36 - ENGINE/GEARBOX CONNECTING TUBE AND INSULATION

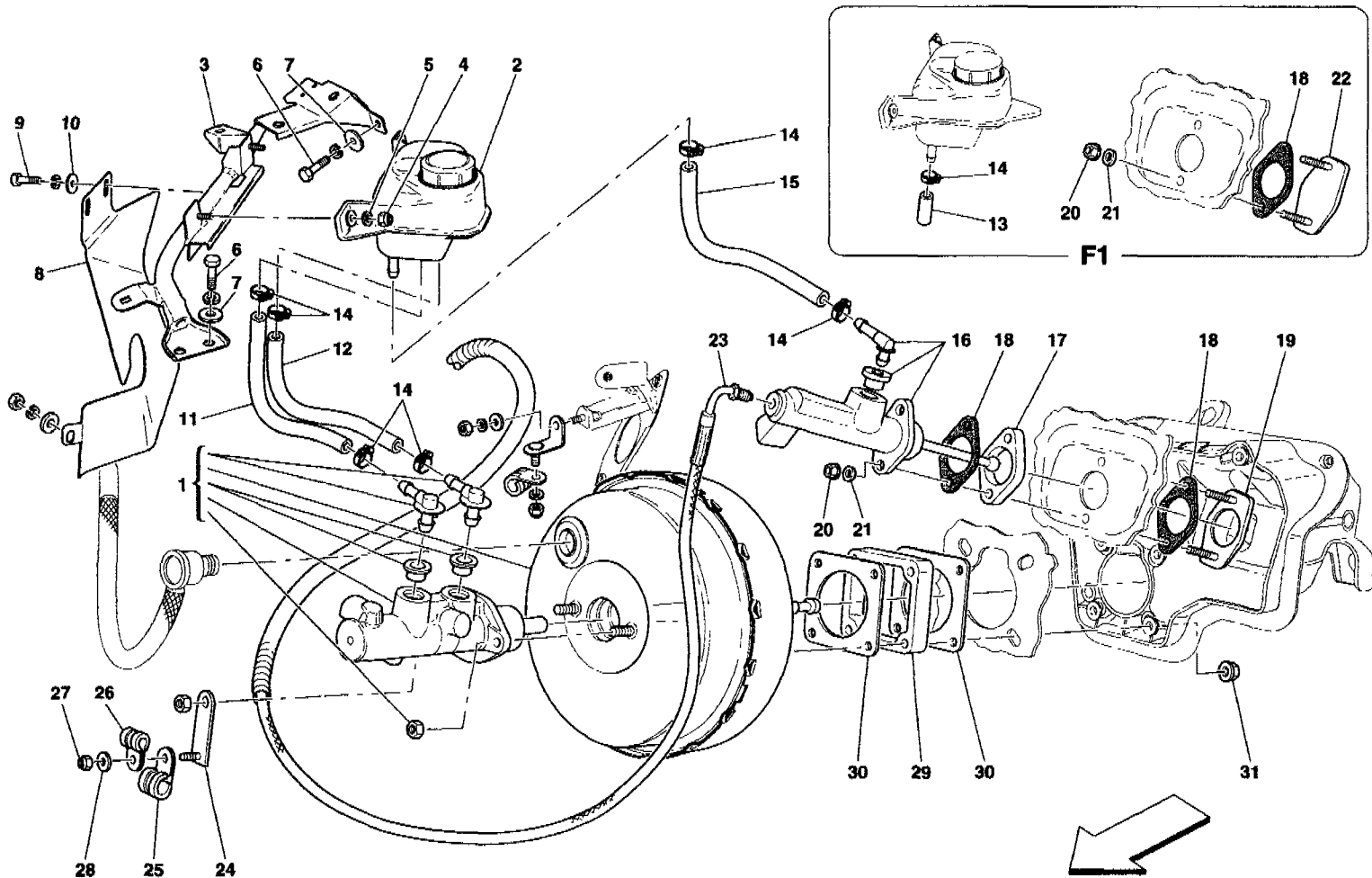
1	68120900	1	COMPLETE TUNNEL HEAT SHIELD -Valid for F1-
1	68120800	1	COMPLETE TUNNEL HEAT SHIELD -Not for F1-
2	10902380	11	SCREW
3	127494	11	WASHER
4	12643770	11	WASHER
5	198483	1	ENGINE-GEARBOX CONNECTING PIPE -Valid for F1-
5	205804	1	ENGINE-GEARBOX CONNECTING PIPE -Not for F1-
6	156462	16	NUT
7	10441590	4	BRACKET WITH SHEATH
8	14058411	4	NUT
9	66965500	1	SHIELD FOR PIPE PROTECTION
10	67663900	1	REAR FRAME SHIELD
11	167499	2	GASKET
12	14058411	4	NUT
13	12643770	4	WASHER



612 SCAGLIETTI - 37 - DIFFERENTIAL AND AXLE SHAFT

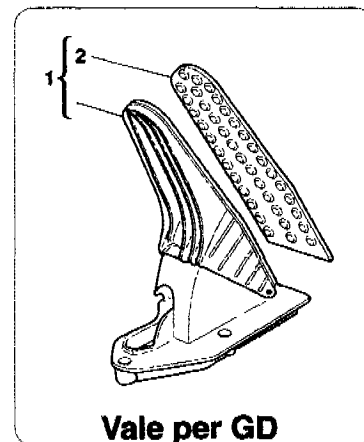
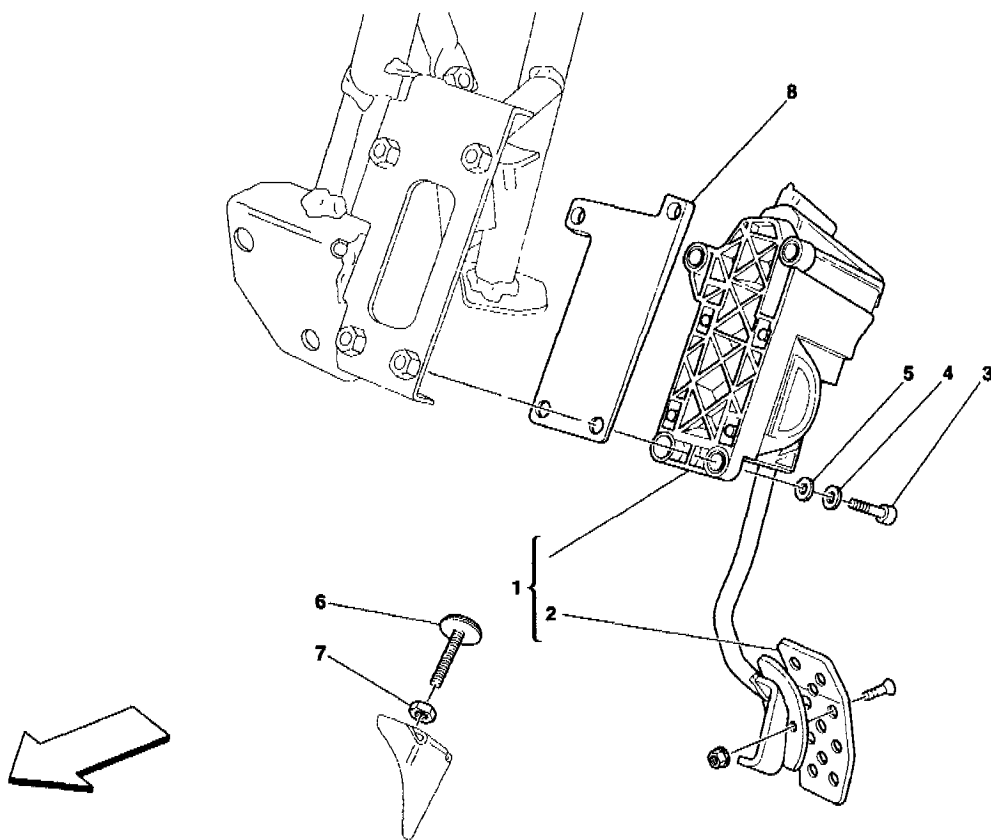
1	187810	2	AXLE SHAFT -Valid till stock exhaustion-
1	210018	2	AXLE SHAFT
2	181910	12	SCREW
3	154213	4	LITTLE CLAMP
4	149415	6	SCRAPING PLATE
5	199783	1	COMPLETE DIFFERENTIAL
6	183909	12	SCREW
7	196592	1	FLANGE FOR R.H. AXLE COUPLING
8	189097	1	FLANGE FOR L.H. AXLE COUPLING
9	172347	4	BIG CLAMP
10	70000867	2	PROTECTION REPLACEMENT SET -Gearbox side-
10	70000868	2	PROTECTION REPLACEMENT SET -Wheel/gearbox side-
11	184994	2	FLEXIBLE RING

612 SCAGLIETTI - 38 - BRAKE AND CLUTCH HYDRAULIC SYSTEM



612 SCAGLIETTI - 38 - BRAKE AND CLUTCH HYDRAULIC SYSTEM

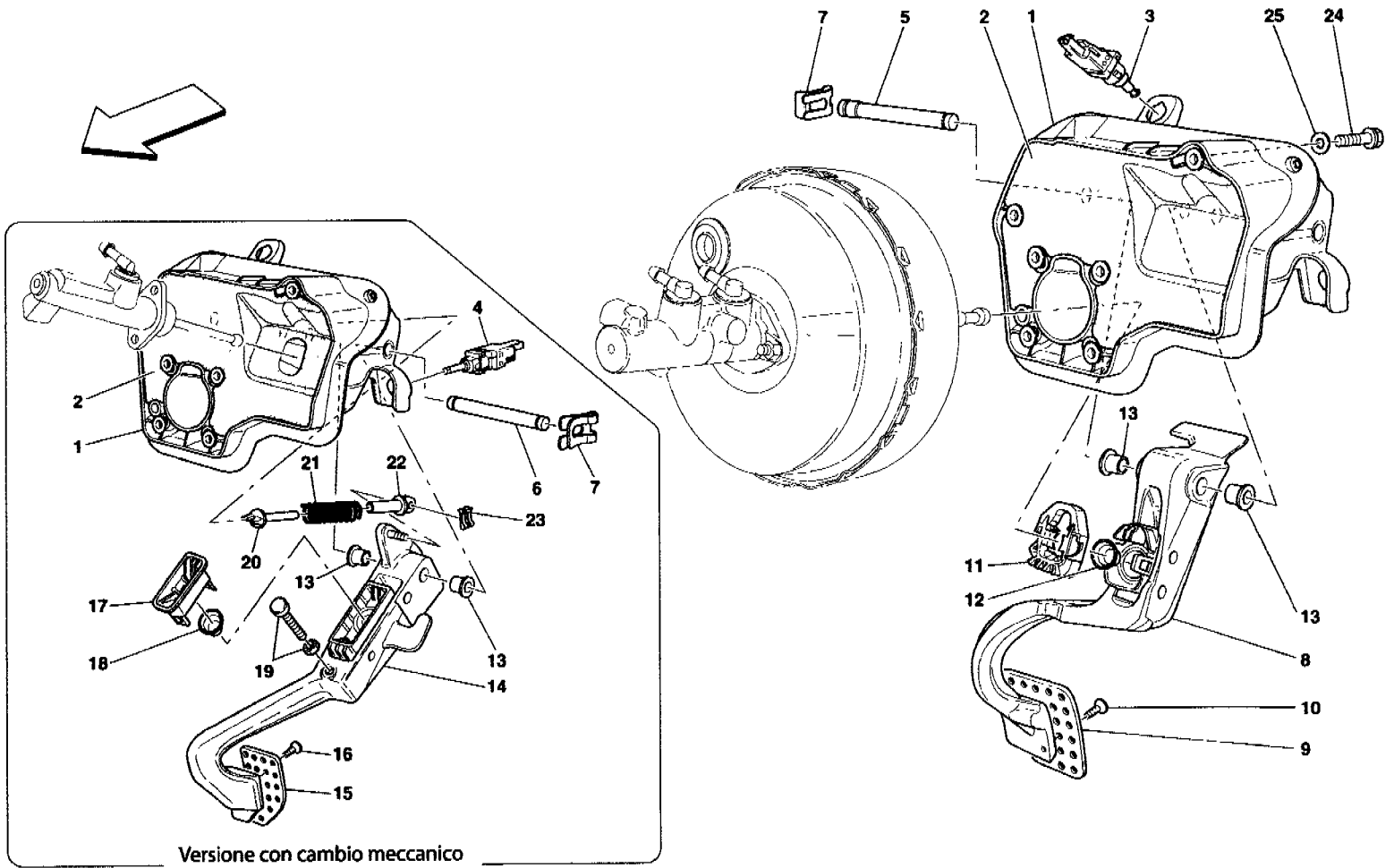
1	202518	1	BRAKE BOOSTER WITH PUMP
2	203903	1	PAN FOR BRAKE LIQUID
3	199694	1	BRACKET FOR PAN -Not for GD-
3	208329	1	BRACKET FOR PAN -Valid for GD-
4	102741	2	NUT
5	12601274	2	WASHER
6	14305324	4	SCREW
7	14499324	4	WASHER
8	203623	1	ANTI-HEAT SHIELD -Not for GD-
9	14305324	2	SCREW
10	14499324	2	WASHER
11	105857	1	RUBBER HOSE
12	211377	1	RUBBER HOSE -Not for GD-
12	154011	1	RUBBER HOSE -Valid for GD-
13	136379	1	PLUG -Valid for F1-
14	13000190	6	SCREW COLLAR -Q.ty 5 for F1-
15	193402	1	RUBBER HOSE -Not for F1-
16	190386	1	CLUTCH CONTROL PUMP -Not for F1-
17	194024	1	SPACER -Not for F1-
18	194025	2	GASKET -Q.ty 1 for F1-
19	194051	1	SMALL PLATE FIXING PUMP -Not for F1-
20	177778	2	NUT
21	12601374	2	WASHER
22	203596	1	PLUG -Valid for F1-
23	205819	1	CLUTCH CONTROL TUBE -Not for F1-
23	207644	1	CLUTCH CONTROL TUBE -Not for GD- -Valid for GD-
24	181344	1	BRACKET
25	10441590	1	BRACKET WITH SHEATH
26	10441290	1	BRACKET WITH SHEATH
27	169180	1	NUT
28	12646601	1	WASHER
29	190379	1	SPACER
30	190378	2	GASKET
31	12578211	4	NUT



Vale per GD
Valid for GD

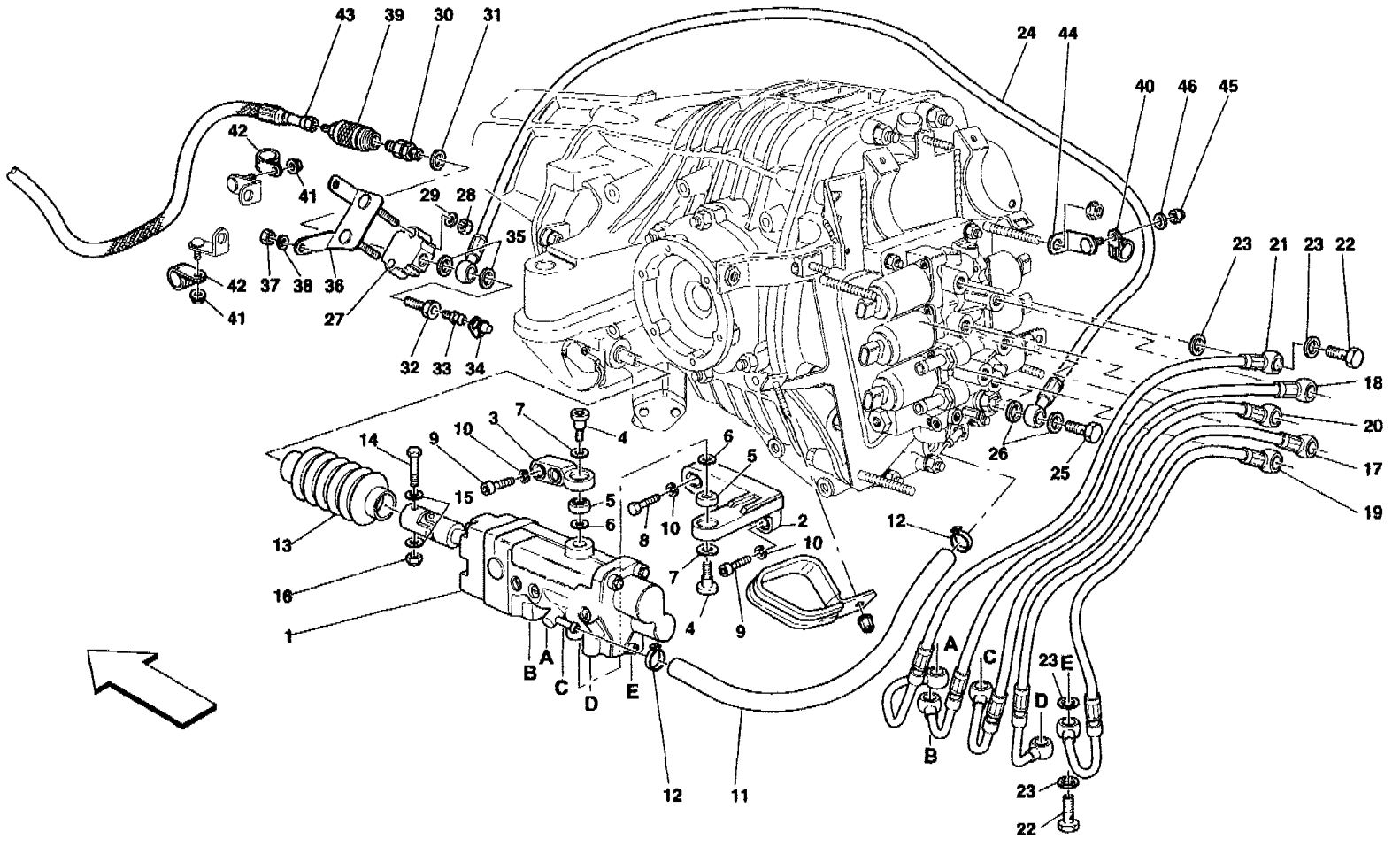
612 SCAGLIETTI - 39 - ELECTRONIC ACCELERATOR PEDAL

1	205297	1	ACCELERATOR PEDAL (ASSEM.) -Not for GD-
1	186963	1	ACCELERATOR PEDAL (ASSEM.) -Valid for GD-
2	205300	1	PLATE -Not for GD-
2	208694	1	PLATE -Valid for GD-
3	14305424	3	SCREW
4	14499324	3	WASHER
5	12581474	3	WASHER
6	200869	1	PEDAL ADJUSTEMENT PIN -Not for GD- -Not as spare part- -Replaced by 213361-
6	213361	1	PEDAL ADJUSTEMENT PIN -Not for GD-
7	16100814	1	NUT -Not for GD-
8	210603	1	THICKNESS -Not for GD-



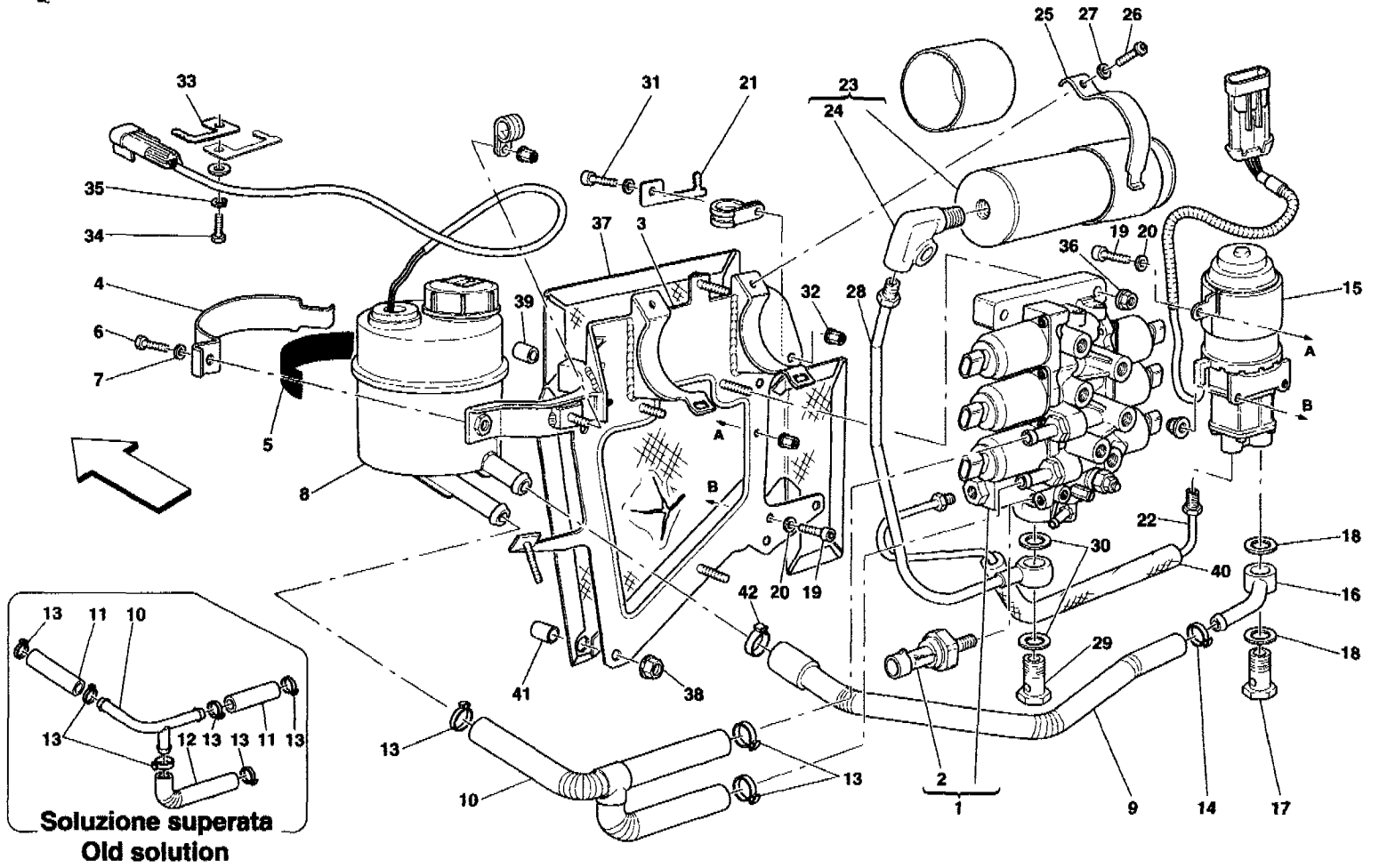
612 SCAGLIETTI - 40 - PEDALS

1	189858	1	PEDAL SUPPORT -Not for GD-
1	204192	1	PEDAL SUPPORT -Valid for GD-
2	193886	1	SILENCER
3	187869	1	PUSH-BUTTON SWITCH
4	187870	1	PUSH-BUTTON SWITCH -Not for F1-
5	189870	1	PIN
6	189871	1	PIN -No per F1-
7	11064471	2	RETAINER -Q.ty 4 for mechanical transmission version
8	191805	1	BRAKE PEDAL -Valid for F1-
8	201376	1	-Not for GD- BRAKE PEDAL -Valid for F1-
8	190376	1	-Valid for GD- BRAKE PEDAL -No per F1-
8	201323	1	-Not for GD- BRAKE PEDAL -No per F1-
9	191401	1	-Valid for GD- PERFORATED PLATE -Valid for F1-
9	188722	1	PERFORATED PLATE -Not for F1-
10	14441324	2	SCREW
11	189863	1	BRAKE PEDAL HOLD
12	189864	1	CUP
13	189869	2	BUSHING -Q.ty 4 for mechanical transmission version
14	190377	1	CLUTCH PEDAL -Not for F1-
14	201324	1	-Not for GD- CLUTCH PEDAL -Not for F1-
15	188723	1	-Valid for GD- PERFORATED PLATE -Not for F1-
16	14441324	2	SCREW -Not for F1-
17	189865	1	CLUTCH PEDAL HOLD -Not for F1-
18	189866	1	CUP -Not for F1-
19	199701	1	CLUTCH PEDAL STOPPER -Not for F1-
20	189872	1	UPPER PIN FOR SPRING -Not for F1-
21	189874	1	SPRING -Not for F1-
22	189873	1	LOWER PIN FOR SPRING -Not for F1-
23	11064071	1	RETAINER -Not for F1-
24	16287421	2	SCREW
25	12601374	2	WASHER



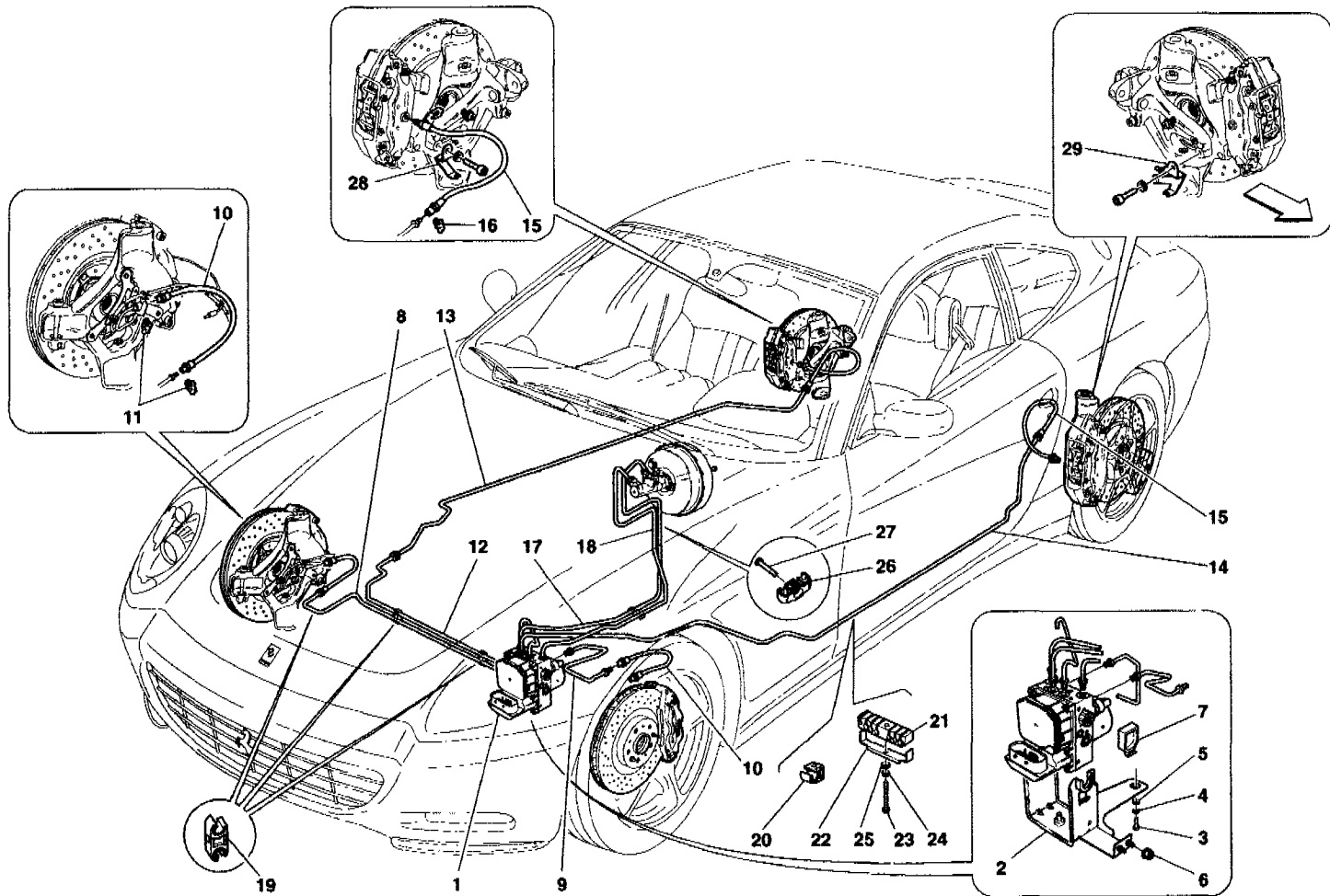
612 SCAGLIETTI - 41 - F1 CLUTCH HYDRAULIC CONTROL -Valid for F1-

*	195408	1	F1 CLUTCH HYDRAULIC CONTROL
1	179141	1	COMPLETE HYDRAULIC ACTUATOR
2	184110	1	LOWER ACTUATOR SUPPORT BRACKET
3	184109	1	UPPER ACTUATOR SUPPORT BRACKET
4	179300	2	PIN
5	169222	2	BALL JOINT
6	179679	2	WASHER
7	10730314	2	WASHER
8	16043834	1	SCREW
9	14306524	3	SCREW
10	10569374	4	WASHER
11	195415	1	OIL RECYCLE TUBE
12	13430670	2	COLLAR FOR SLEEVE
13	184119	1	RUBBER BOOT
14	170767	1	SCREW
15	12638524	2	WASHER
16	101139	1	NUT
17	195409	1	PIPE (EV1)
18	195410	1	PIPE (EV2)
19	195411	1	PIPE (EV3)
20	195412	1	PIPE (EV4)
21	195413	1	PIPE (EV5)
22	171454	4	UNION
			-Fixing EV1 and EV2 pipe-
22	204545	3	UNION
			-Fixing EV3, EV4 and EV5 to power unit-
22	204543	3	UNION
			-Fixing EV3, EV4 and EV5 to actuator-
23	10261060	20	GASKET
24	195416	1	PIPE FROM VALVE SET TO BLOCK
25	171454	1	UNION
26	10261060	2	GASKET
27	175667	1	BLOCK
28	102741	2	NUT
29	14496424	2	WASHER
30	172965	1	QUICK MALE COUPLING
31	171755	1	WASHER
32	171630	1	UNION
33	152954	1	BLEEDER SCREW
34	152955	1	PROTECTION BOOT
35	10261060	2	GASKET
36	198900	1	BRACKET
37	16100812	2	NUT
38	12601374	2	WASHER
39	172964	1	FEMALE COUPLING
40	10440990	2	BRACKET WITH SHEATH
41	14058411	2	NUT
42	10441190	2	BRACKET WITH SHEATH
43	195131	1	CLUTCH PIPE
44	149694	1	BRACKET
45	102741	1	NUT
46	12639724	1	WASHER



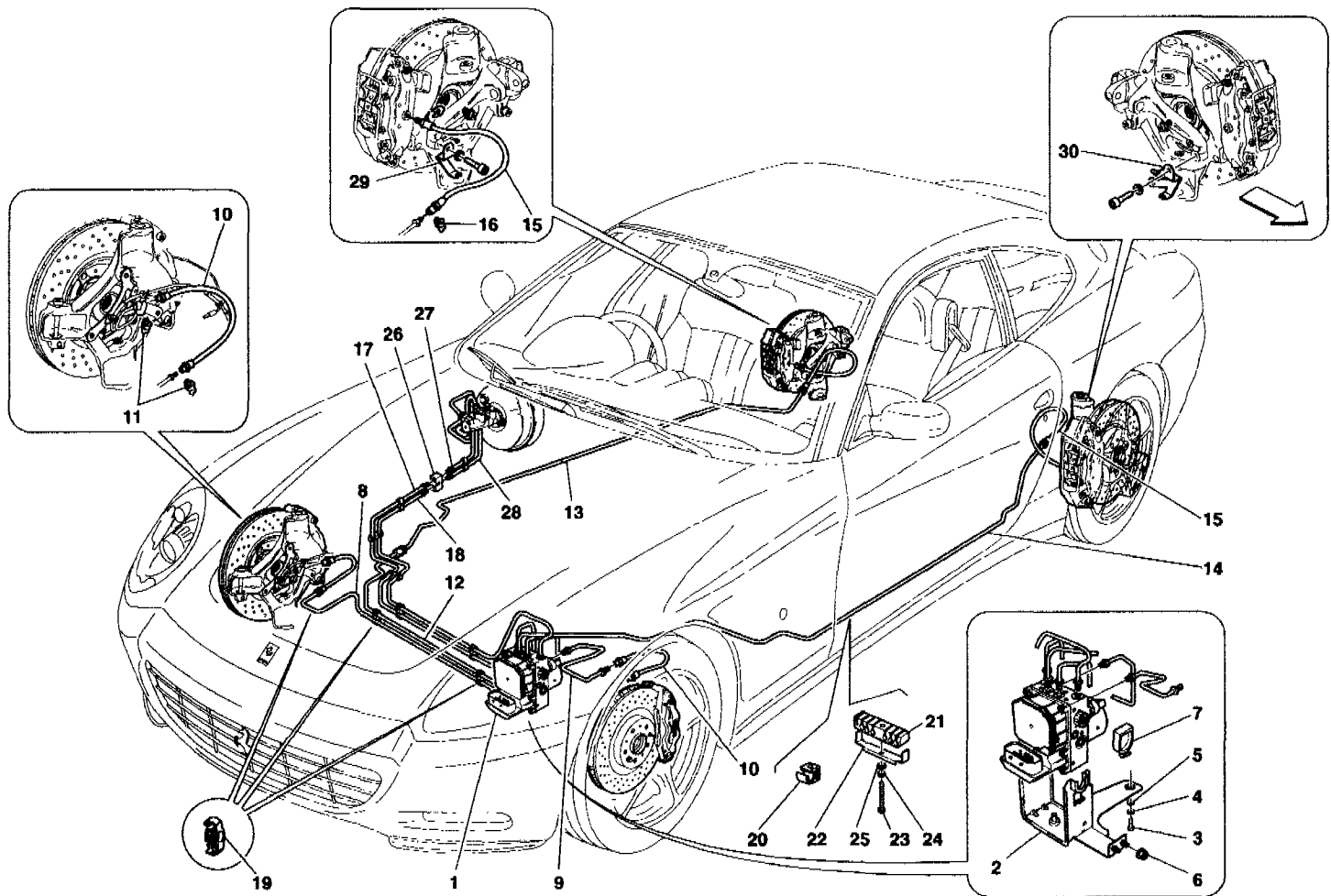
612 SCAGLIETTI - 42 - POWER UNIT AND TANK -Valid for F1-

1	195408	1	F1 CLUTCH HYDRAULIC CONTROL
1	179140	1	POWER UNIT
2	190662	1	PRESSURE SENSOR
3	195419	1	POWER UNIT SUPPORTING BRACKET
3	217011	1	-Valid till stock exhaustion- POWER UNIT SUPPORTING BRACKET
4	171746	1	SUPPORT CLAMP
5	183718	1	SMALL PLATE
6	10902124	1	SCREW
7	12601274	1	WASHER
8	188686	1	OIL TANK
9	199412	1	PIPE FROM TANK TO PUMP
9	216538	1	-Valid till stock exhaustion- PIPE FROM TANK TO PUMP
10	200861	1	OIL RETURN TUBE
10	195418	1	-Not as spare part- -Replaced by 195418- OIL RETURN TUBE
11	200858	2	RUBBER HOSE
12	200862	1	-Not as spare part- -Replaced by 195418 ref. 10- LOWER RUBBER HOSE
13	161490	6	-Not as spare part- -Replaced by 195418 ref. 10- SCREW COLLAR
14	13000390	1	-Q.ty 3 with new solution 195418 ref.10- SCREW COLLAR
15	178757	1	COMPLETE HYDRAULIC PUMP
15	213264	1	-Not as spare part- -Replaced by 213264- COMPLETE HYDRAULIC PUMP
16	199411	1	SWINGING UNION
17	10185111	1	UNION
18	10280050	2	GASKET
19	10902524	3	SCREW
20	14496424	3	WASHER
21	162606	1	CLIP
22	195414	1	PIPE FROM HYDRAULIC PUMP TO POWER UNIT
23	179143	1	ACCUMULATOR
24	179211	1	DUCTING
25	198960	2	CLAMP
26	10902124	2	SCREW
27	14446624	2	WASHER
28	197058	1	PIPE FROM ACCUMULATOR TO POWER UNIT
29	10185111	1	UNION
30	10280050	2	GASKET
31	10902124	1	SCREW
32	14058421	1	NUT
33	162606	1	CLIP
34	10902224	1	SCREW
35	127494	1	WASHER
36	175283	2	NUT
37	207359	1	HEAT SHIELD
38	14058521	4	NUT
39	199009	1	SPACER
39	214620	1	-Not as spare part- -Replaced by 214620- SPACER
40	209707	1	PIPE PROTECTION
40	209611	1	-Not as spare part- -Replaced by 209611- PIPE PROTECTION
41	199010	3	SPACER
41	214621	3	-Not as spare part- -Replaced by 214621- SPACER
42	161490	1	SCREW COLLAR



612 SCAGLIETTI - 43 - BRAKE SYSTEM -Not for GD-

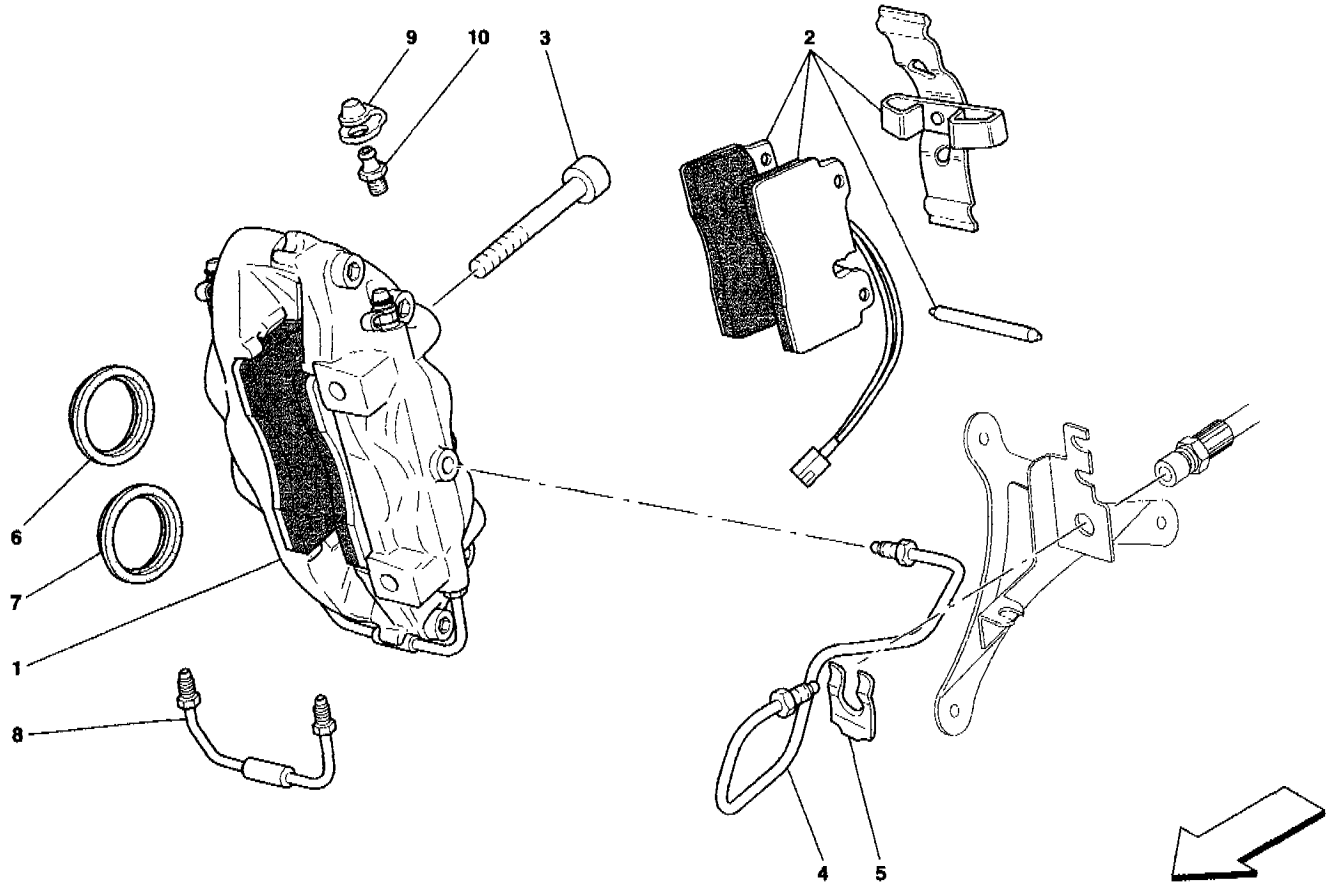
1	192354	1	ABS/ASR HYDRAULIC/ELECTRONIC CONTROL STATION
2	197049	1	CONTROL STATION SUPPORTING BRACKET
3	16043534	1	SCREW
4	12625224	1	WASHER
5	12601374	1	WASHER
6	13046124	2	NUT
7	193877	2	FIXING CLIP
8	194633	1	R.H. BRAKE PIPE FROM CONTROL STATION TO FRONT HOSE
9	194634	1	L.H. BRAKE PIPE FROM CONTROL STATION TO FRONT HOSE
10	116373	2	HOSE
11	116374	4	FIXING CLIP
12	194631	1	BRAKE PIPE FROM CONTROL STATION TO R.H. REAR RIGID PIPE
13	203706	1	BRAKE PIPE TO R.H. REAR HOSE
14	203708	1	BRAKE PIPE TO L.H. REAR HOSE
15	118100	2	HOSE
16	116374	2	FIXING CLIP
17	203705	1	BRAKE PIPE FROM REAR PUMP TO CONTROL STATION
18	203707	1	BRAKE PIPE FROM FRONT PUMP TO CONTROL STATION
19	169476	2	CLIP -Not as spare part- -Replaced by 212645-
19	212645	2	CLIP
20	169477	6	CLIP -Not as spare part- -Replaced by 215411-
20	215411	6	CLIP
21	206067	3	SUPPORT
22	206063	3	SMALL PLATE
23	14305624	3	SCREW
24	12646624	3	WASHER
25	12541774	3	WASHER
26	205822	1	CLIP
27	14303526	1	SCREW
28	211941	1	R.H. SUPPORT
29	211932	1	L.H. SUPPORT



612 SCAGLIETTI - 44 - BRAKE SYSTEM -Valid for GD-

1	192354	1	ABS/ASR HYDRAULIC/ELECTRONIC CONTROL STATION
2	197049	1	CONTROL STATION SUPPORTING BRACKET
3	16043534	1	SCREW
4	12625224	1	WASHER
5	12601374	1	WASHER
6	13046124	2	NUT
7	193877	2	FIXING CLIP
8	207648	1	R.H. BRAKE PIPE FROM CONTROL STATION TO FRONT HOSE -Valid till Ass. Nr. 56014-
8	214690	1	R.H. BRAKE PIPE FROM CONTROL STATION TO FRONT HOSE -Valid from Ass. Nr. 56015-
9	194634	1	L.H. BRAKE PIPE FROM CONTROL STATION TO FRONT HOSE
10	116373	2	HOSE
11	116374	4	FIXING CLIP
12	207647	1	BRAKE PIPE FROM CONTROL STATION TO R.H. REAR RIGID PIPE -Valid till Ass. Nr. 56014-
12	214689	1	BRAKE PIPE FROM CONTROL STATION TO R.H. REAR RIGID PIPE -Valid from Ass. Nr. 56015-
13	203706	1	BRAKE PIPE TO R.H. REAR HOSE
14	203708	1	BRAKE PIPE TO L.H. REAR HOSE
15	118100	2	HOSE
16	116374	2	FIXING CLIP
17	207646	1	BRAKE PIPE FROM UNION TO CONTROL STATION -Valid till Ass. Nr. 56014-
17	214688	1	BRAKE PIPE FROM UNION TO CONTROL STATION -Valid from Ass. Nr. 56015-
18	207645	1	BRAKE PIPE FROM UNION TO CONTROL STATION -Valid till Ass. Nr. 56014-
18	214687	1	BRAKE PIPE FROM UNION TO CONTROL STATION -Valid from Ass. Nr. 56015-
19	169476	2	CLIP -Not as spare part- -Replaced by 212645-
19	212645	2	CLIP
20	169477	6	CLIP -Not as spare part- -Replaced by 215411-
20	215411	6	CLIP
21	206067	3	SUPPORT
22	206063	3	SMALL PLATE
23	14305624	3	SCREW
24	12646624	3	WASHER
25	12541774	3	WASHER
26	206589	1	UNION
27	205710	1	BRAKE PIPE FROM REAR PUMP TO UNION -Valid till Ass. Nr. 56014-
27	215707	1	BRAKE PIPE FROM REAR PUMP TO UNION -Valid from Ass. Nr. 56015-
28	205709	1	BRAKE PIPE FROM FRONT PUMP TO UNION -Valid till Ass. Nr. 56014-
28	215706	1	BRAKE PIPE FROM FRONT PUMP TO UNION -Valid from Ass. Nr. 56015-
29	211941	1	R.H. SUPPORT
30	211932	1	L.H. SUPPORT

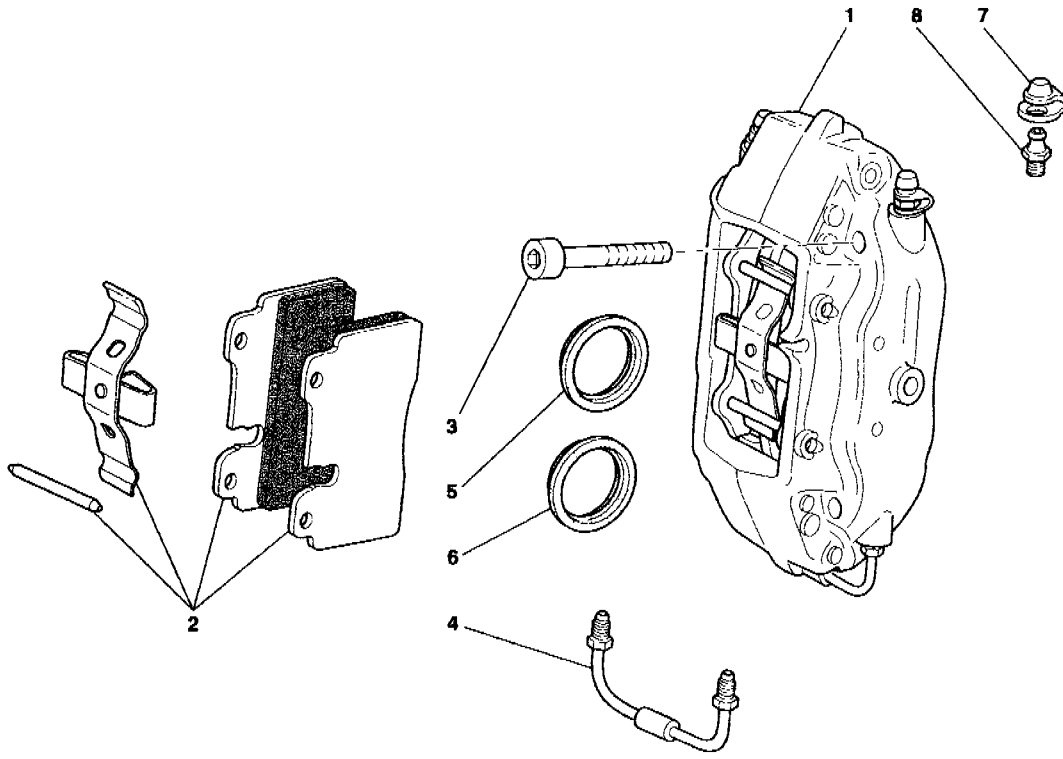
612 SCAGLIETTI - 45 - CALIPER FOR FRONT BRAKE



612 SCAGLIETTI - 45 - CALIPER FOR FRONT BRAKE

1	186474	1	R.H. FRONT CALIPER UNIT WITH PADS -Standard-
1	202351	1	R.H. FRONT CALIPER UNIT WITH PADS -Red-
1	202353	1	R.H. FRONT CALIPER UNIT WITH PADS -Modena yellow-
1	202352	1	R.H. FRONT CALIPER UNIT WITH PADS -Grey-
1	186473	1	L.H. FRONT CALIPER UNIT WITH PADS -Standard-
1	202362	1	L.H. FRONT CALIPER UNIT WITH PADS -Red-
1	202364	1	L.H. FRONT CALIPER UNIT WITH PADS -Modena yellow-
1	202363	1	L.H. FRONT CALIPER UNIT WITH PADS -Grey-
2	70001057	1	KIT OF FRONT PADS WITH SPRING
3	190737	4	SCREW
4	186478	1	PIPE R.H. FRONT CALIPER
4	186477	1	PIPE L.H. FRONT CALIPER
5	116374	1	CLIP
6	182121	2	CAP FOR CYLINDER Ø 38
7	182122	2	CAP FOR CYLINDER Ø 42
8	203993	2	R.H. CONNECTION PIPE
8	203992	2	L.H. CONNECTION PIPE
9	152955	2	PROTECTION BOOT
10	152954	2	UNION WITH EXHAUST VALVE

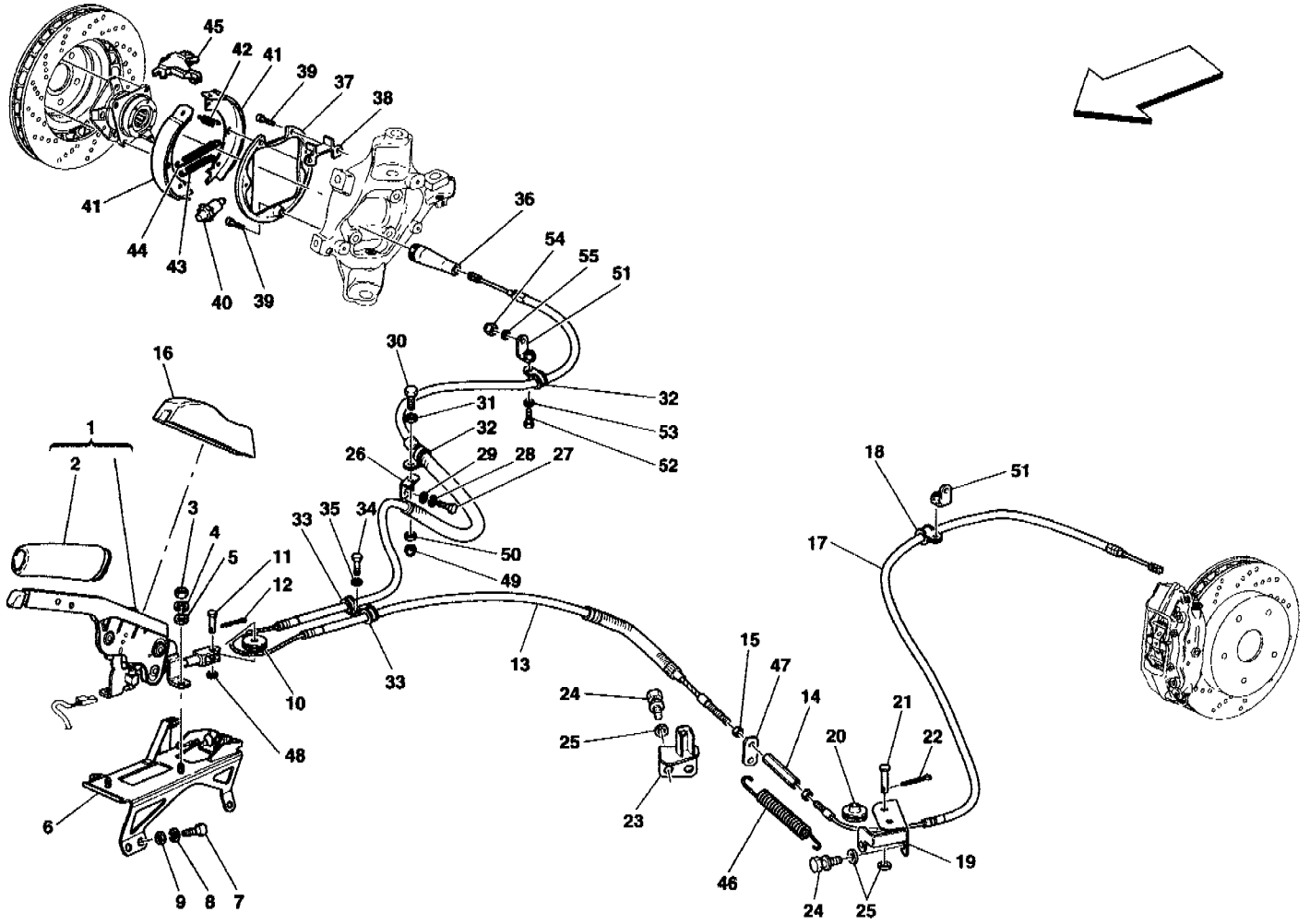
612 SCAGLIETTI - 46 - CALIPER FOR REAR BRAKE



612 SCAGLIETTI - 46 - CALIPER FOR REAR BRAKE

1	186542	1	R.H. REAR CALIPER UNIT WITH PADS -Standard-
1	202368	1	R.H. REAR CALIPER UNIT WITH PADS -Red-
1	202370	1	R.H. REAR CALIPER UNIT WITH PADS -Modena yellow-
1	202369	1	R.H. REAR CALIPER UNIT WITH PADS -Grey-
1	186541	1	L.H. REAR CALIPER UNIT WITH PADS -Standard-
1	202374	1	L.H. REAR CALIPER UNIT WITH PADS -Red-
1	202377	1	L.H. REAR CALIPER UNIT WITH PADS -Modena yellow-
1	202376	1	L.H. REAR CALIPER UNIT WITH PADS -Grey-
2	70001058	1	KIT OF REAR PADS WITH SPRING
3	175947	4	SCREW
4	182123	2	CONNECTION PIPE
5	207222	2	CAP FOR CYLINDER Ø 32
6	152953	2	CAP FOR CYLINDER Ø 36
7	152955	2	PROTECTION BOOT
8	152954	2	UNION WITH EXHAUST VALVE

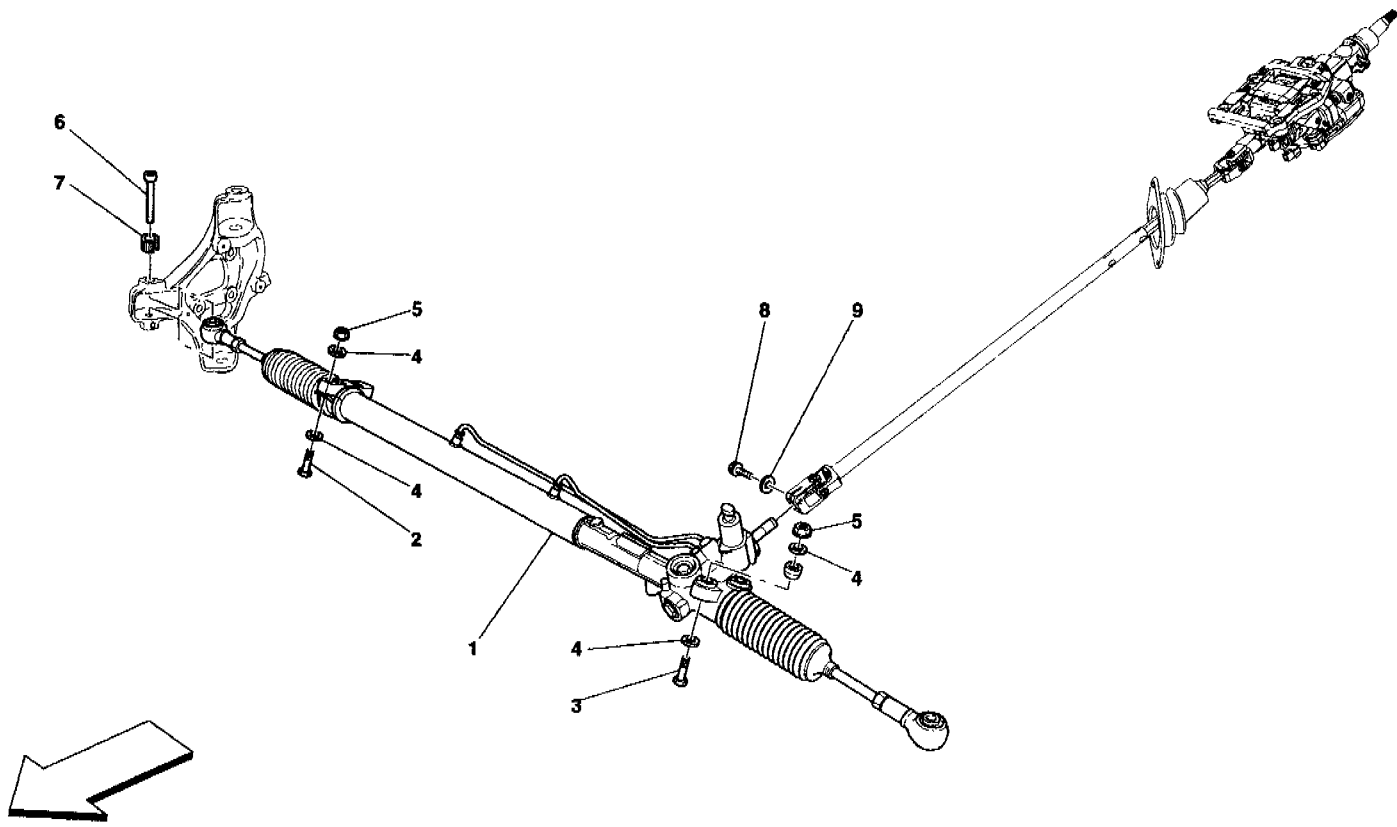
612 SCAGLIETTI - 47 - HAND-BRAKE CONTROL



612 SCAGLIETTI - 47 - HAND-BRAKE CONTROL

1	194001	1	COMPLETE HAND BRAKE LEVER
2	197229	1	KNOB FOR LEVER
3	16102111	2	NUT
4	14496524	2	WASHER
5	12601374	2	WASHER
6	194611	1	BRACKET FOR LEVER FIXING
7	16043434	5	SCREW
8	127496	5	WASHER
9	14496524	5	WASHER
10	122091	1	PULLEY
11	10050814	1	PIN
12	10734208	1	SPLIT PIN
13	194610	1	HAND-BRAKE CONTROL CABLE
14	10091014	1	ADJUSTMENT SLEEVE
15	10727314	1	NUT
16	67930400	1	SPONGE CARPET SHIELD
17	195103	1	HAND-BRAKE CONTROL L.H. CABLE
18	10441390	1	BRACKET WITH SHEATH
19	198391	1	BRACKET
20	176261	1	PULLEY
21	10041214	2	PIN
22	10734208	2	SPLIT PIN
23	198392	1	BRACKET
24	11668934	5	SCREW
25	12646724	7	WASHER
26	198393	1	R.H. BRACKET
27	11668934	2	SCREW
28	12646724	2	WASHER
29	10571779	2	WASHER
30	10902224	1	SCREW
31	12605374	1	WASHER
32	10441390	2	BRACKET WITH SHEATH
33	10441290	2	BRACKET WITH SHEATH
34	10902524	1	SCREW
35	127494	1	WASHER
36	192721	2	GUIDE PIPE
37	186574	2	SHOES SUPPORT SPACER
38	190814	2	PLATE
39	190870	6	SCREW
40	186572	2	ADJUSTING DEVICE
41	194876	4	COMPLETE BRAKE SHOE
			-Valid till stock exhaustion-
41	206885	4	COMPLETE BRAKE SHOE
42	190780	4	SPRING
43	190779	2	SPRING
44	190776	2	SPRING
45	194060	2	HAND BRAKE CONTROL LEVER
46	104895	1	SPRING
47	209448	1	PLATE
48	12601374	1	PLASTIC WASHER
49	102741	1	NUT
50	14499324	1	WASHER
51	142060	2	BRACKET
52	10902224	2	SCREW
53	127494	2	WASHER
54	169180	2	NUT
55	12638177	2	WASHER

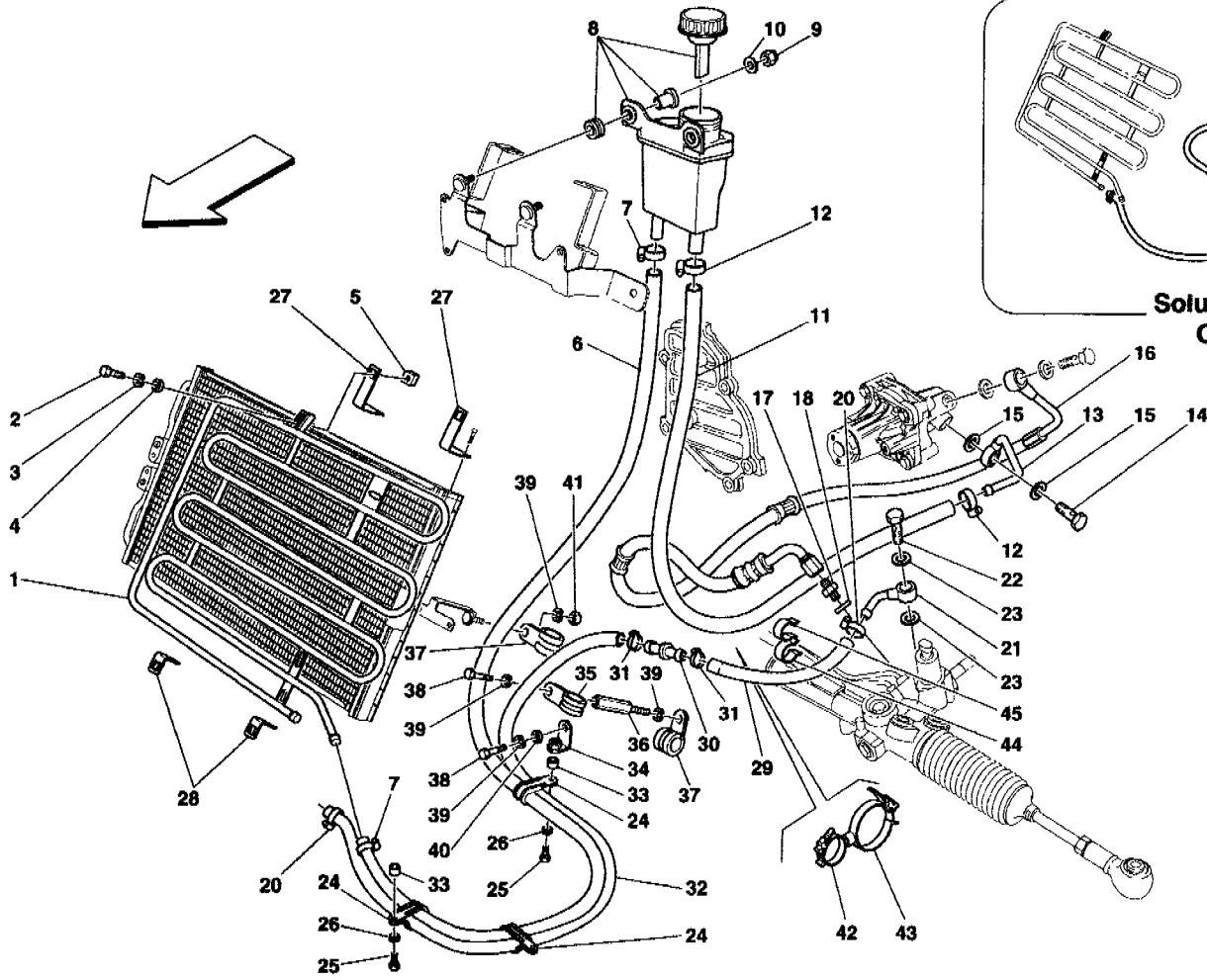
612 SCAGLIETTI - 48 - HYDRAULIC STEERING BOX



612 SCAGLIETTI - 48 - HYDRAULIC STEERING BOX

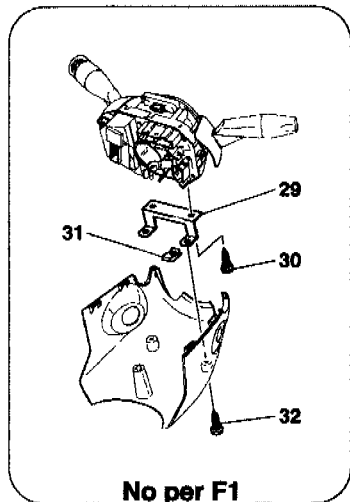
1	204642	1	RACK STEERING BOX -Not for GD-
1	205047	1	RACK STEERING BOX -Valid for GD-
2	16237074	2	SCREW
3	16237174	2	SCREW
4	14496624	8	WASHER
5	14058621	4	NUT
6	179556	2	SCREW
7	179555	2	COMPENSATOR RING
8	187006	1	SCREW
9	12604474	1	WASHER

612 SCAGLIETTI - 49 - OIL TANK FOR SERVOSTEERING AND SERPENTINE

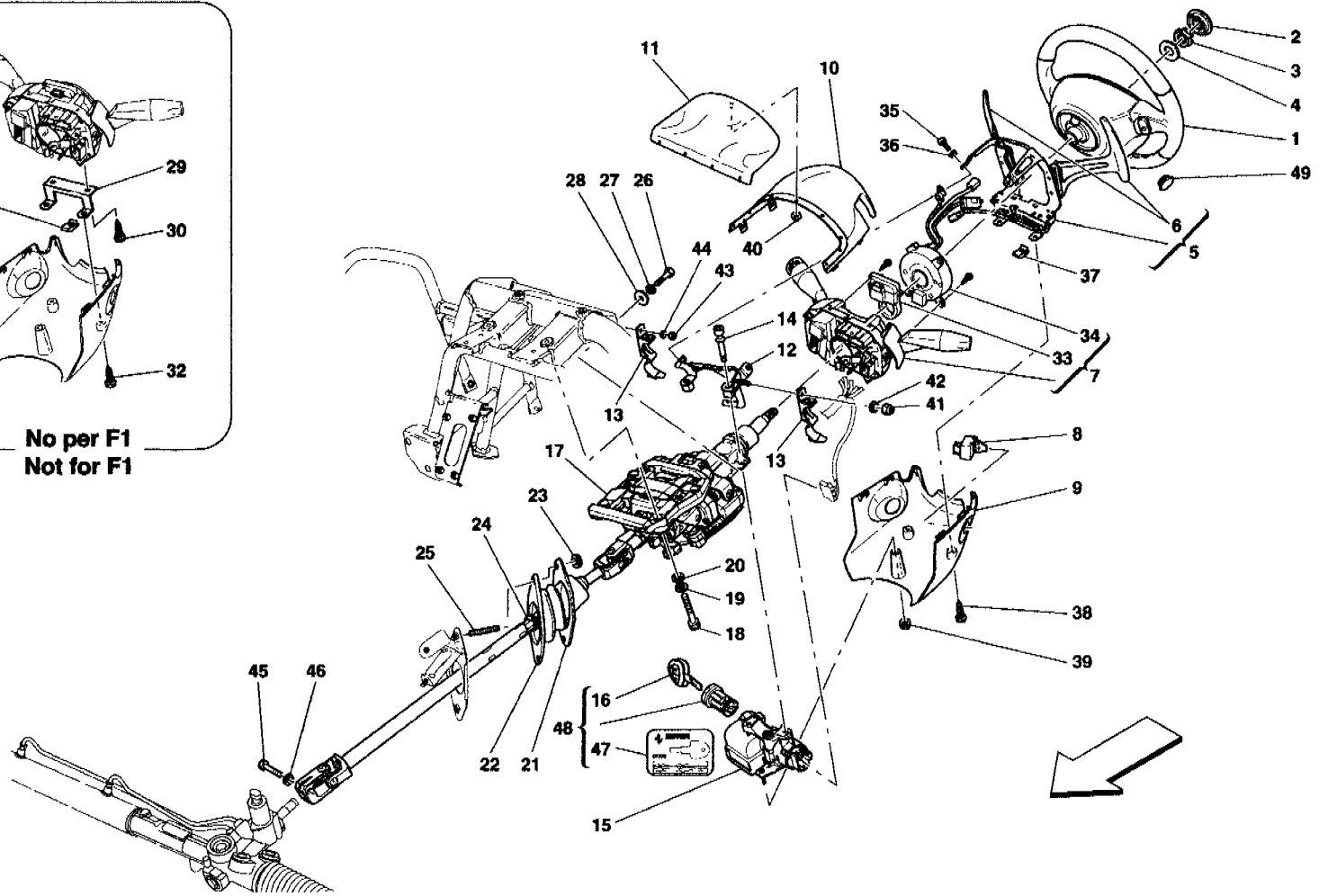


612 SCAGLIETTI - 49 - OIL TANK FOR SERVOSTEERING AND SERPENTINE

1	193853	1	REFRIGERATING COIL
2	14664695	4	SCREW
3	12643724	4	WASHER
4	127494	4	WASHER
5	15896214	4	NUT
6	194546	1	PIPE FROM COIL TO OIL TANK
7	161490	2	SCREW COLLAR
8	199617	1	OIL TANK FOR SERVOSTEERING
9	16100814	2	NUT
10	12604474	2	WASHER
11	200160	1	PIPE FROM HYDRAULIC PUMP TO OIL TANK
12	13000390	2	SCREW COLLAR
13	200157	1	SWINGING UNION
14	155448	1	UNION
15	10261560	2	GASKET
16	204957	1	PIPE FROM HYDRAULIC PUMP TO STEERING BOX -Not for GD- -Not as spare part- -Replaced by 209239-
16	209239	1	PIPE FROM HYDRAULIC PUMP TO STEERING BOX -Not for GD-
16	211716	1	PIPE FROM HYDRAULIC PUMP TO STEERING BOX -Valid for GD-
17	205048	1	THREADED UNION
18	10261360	1	GASKET
19	194545	1	PIPE FROM STEERING BOX TO COIL -Not for GD- -Not as spare part-
19	205121	1	PIPE FROM STEERING BOX TO COIL -Valid for GD- -Not as spare part-
20	161490	2	SCREW COLLAR
21	177943	1	SWINGING UNION
22	10185111	1	UNION
23	10280060	2	GASKET
24	139512	3	BRACKET WITH SHEATH
25	10902224	3	SCREW
26	14499324	3	WASHER
27	204288	2	UPPER BRACKET
28	204289	2	LOWER BRACKET
29	209920	1	PIPE FROM RACK STEERING BOX TO UNION -Not for GD-
29	179256	1	PIPE FROM RACK STEERING BOX TO UNION -Valid for GD- -Not as spare part- -Replaced by 215069-
29	215069	1	PIPE FROM RACK STEERING BOX TO UNION -Valid for GD-
30	209830	1	UNION
31	161490	2	SCREW COLLAR
32	177634	1	PIPE FROM UNION TO COIL
33	13604115	3	SPACER
34	142060	1	BRACKET
35	199700	1	BRACKET WITH SHEATH
36	178772	1	STUD
37	10441790	2	BRACKET WITH SHEATH
38	10902124	2	SCREW
39	127494	4	WASHER
40	12643724	1	WASHER
41	15896214	1	NUT
42	189710	1	CLIP
43	200603	1	CLIP
44	140730	1	FIXING CLIP



No per F1
Not for F1



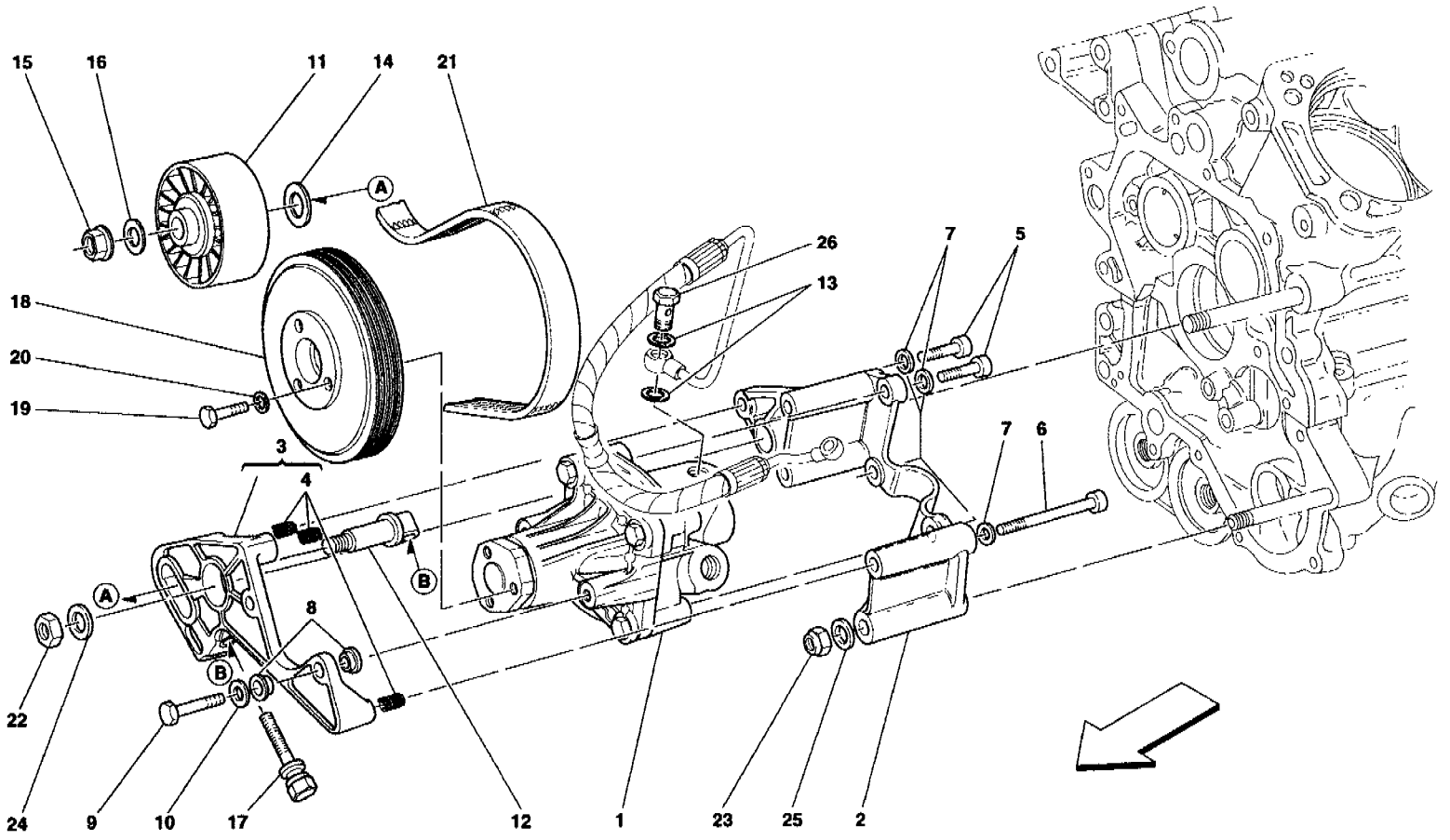
612 SCAGLIETTI - 50 - STEERING COLUMN

1	680709..	1	COMPLETE STEERING WHEEL -Without air bag module-
2	199406	1	PLUG
3	199222	1	NUT WITH CAGE
4	152034	1	WASHER
5	201504	1	F1 GEARBOX CONTROL LEVERS ASSEMBLY -Valid for F1-
6	207838	1	COUPLE LEVERS -Valid for F1-
7	206889	1	UNHOOK DEVIATION ASSEMBLY
8	193862	1	COLUMN ADJUSTING CONTROL
9	67622600	1	LOWER COVER -Valid for F1-
9	67622400	1	LOWER COVER -Not for F1-
10	66974700	1	UPPER COVER -Valid for F1-
10	66974500	1	UPPER COVER -Not for F1-
11	67167300	1	REAR COVER
12	204044	1	BRACKET SUPPORT -Valid for F1- -Not for USA and CDN-
13	143120	2	FIXING CLIP
14	192053	2	SCREW -Valid for F1-
14	187005	2	SCREW -Nor for F1-
15	187748	1	STEERING LOCK
16	207548	1	BLANK KEY
17	194527	1	COMPLETE STEERING COLUMN -Not for USA and CDN-
17	208106	1	COMPLETE STEERING COLUMN -Valid for USA and CDN-
18	14306924	4	SCREW
19	10519624	4	WASHER
20	11194074	4	WASHER
21	195681	1	PLATE
22	203797	1	PAD
23	14039614	2	NUT
24	203797	1	PAD
25	13541224	2	STUD
26	10902324	2	SCREW
27	12646624	2	WASHER
28	11197774	2	WASHER
29	66974900	1	BRACKET -Not for F1-
30	15688875	2	SCREW -Not for F1-
31	14372171	2	BRACKET -Valid for F1-
32	15689675	2	SCREW -Valid for F1-
33	188171	1	STEERING ANGLE SENSOR
34	187750	1	SPIRAL CONTACT
35	13025787	2	SCREW
36	12601174	2	WASHER
37	14372171	2	BRACKET
38	15689675	2	SCREW
39	13046011	1	NUT
40	60324506	9	CLIP
41	102948	1	NUT
42	10519424	1	WASHER
43	169180	1	NUT
44	12638124	1	WASHER
45	187006	1	SCREW
46	12604474	1	WASHER

47	194003	1	FERRARI CODE CARD
48	213625	1	LOCKS SET COMPLETED WITH STEERING LOCK AND KEY
49	14506587	2	PLUG

For particular colour matchings, make order by Fax or E-m@il, specifying serial number. - See "INNER TRIMS CAR CODES" table for codes of parts covered in leather or moquette.

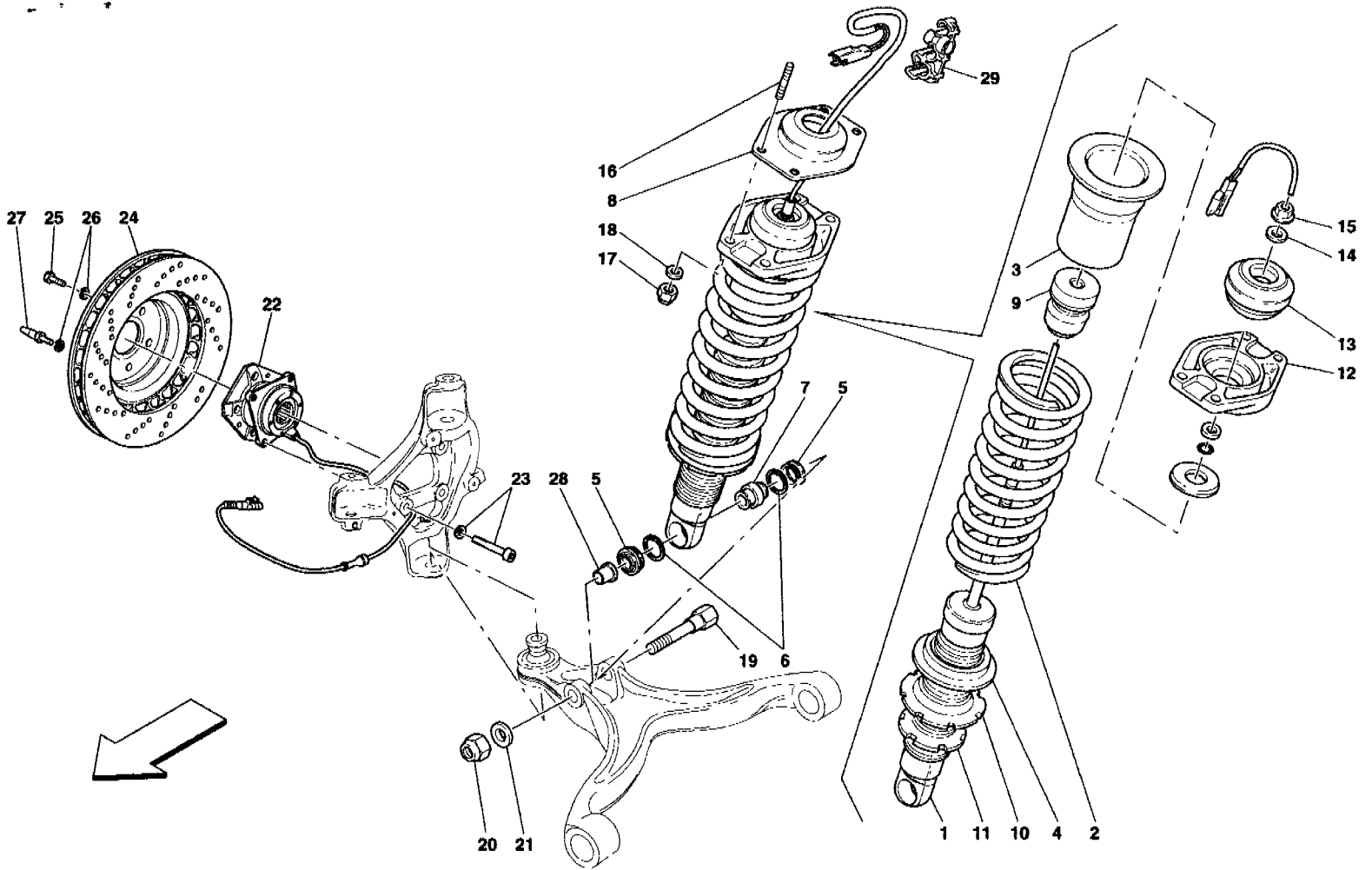
612 SCAGLIETTI - 51 - HYDRAULIC STEERING PUMPS



612 SCAGLIETTI - 51 - HYDRAULIC STEERING PUMPS

1	170751	1	HYDRAULIC SERVO-CONTROL PUMP
2	170831	1	INNER SUPPORT
3	175098	1	SUPPORT WITH BELT TIGHTENER
4	13525770	4	THREADED INSERT
5	14306424	4	SCREW
6	14307224	3	SCREW
7	11193874	7	WASHER
8	165975	4	BUSHING
9	16052024	2	SCREW
10	12601374	2	WASHER
11	172537	1	COMPLETE BELT TIGHTENING PULLEY
12	175021	1	PIN
13	10278660	2	GASKET
14	174508	1	WASHER
15	133216	1	NUT
16	102695	1	WASHER
17	157289	1	SCREW
18	165974	1	PULLEY
19	10902124	3	SCREW
20	12601274	3	WASHER
21	201456	1	BELT FOR HYDRAULIC SERVO-CONTROL PUMP
22	16103621	1	NUT
23	102742	1	NUT
24	11190779	1	WASHER
25	13550401	1	WASHER
26	10184411	1	UNION-VALVE

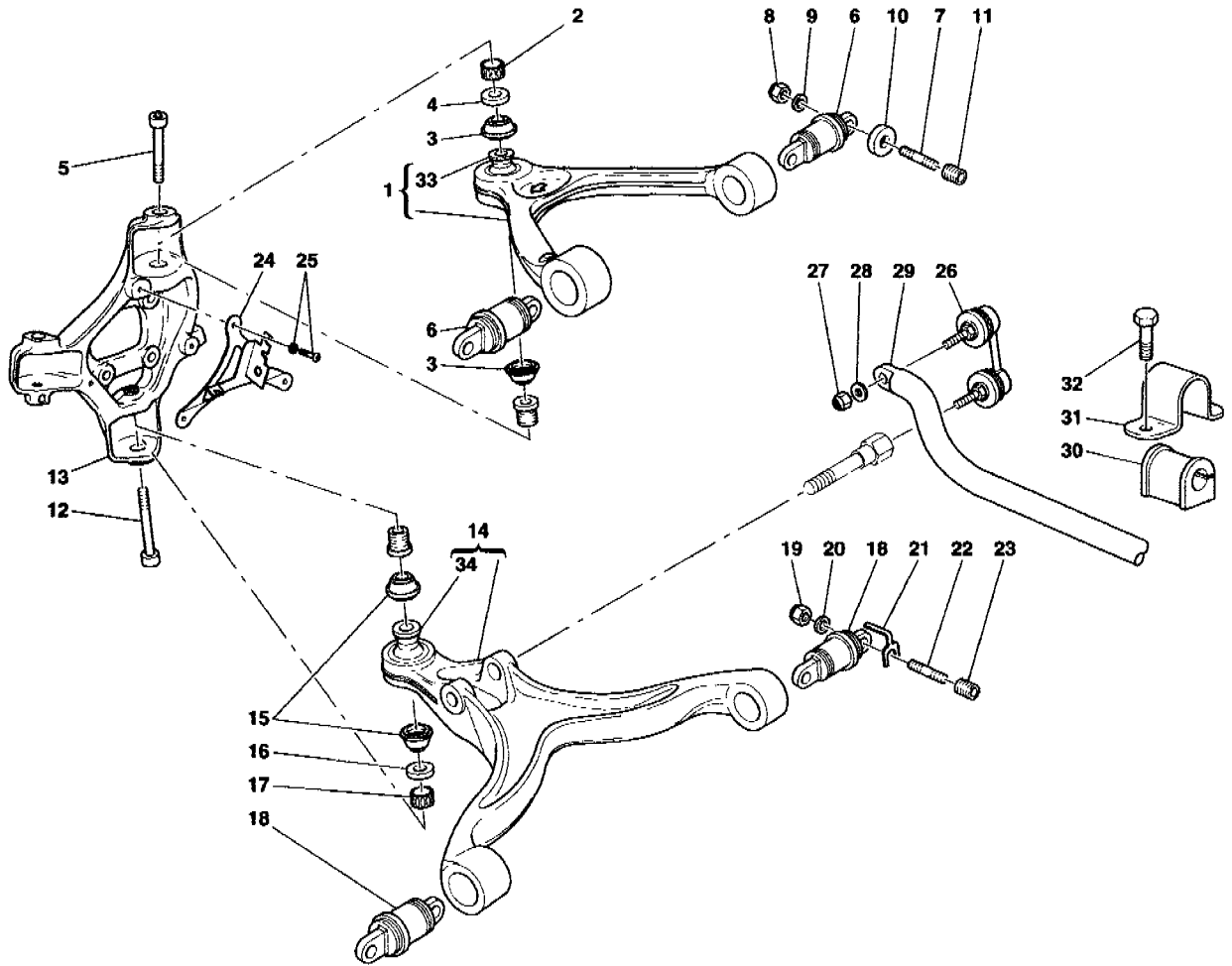
612 SCAGLIETTI - 52 - FRONT SUSPENSION - SHOCK ABSORBER AND BRAKE DISC



612 SCAGLIETTI - 52 - FRONT SUSPENSION - SHOCK ABSORBER AND BRAKE DISC

1	190401	2	FRONT SHOCK ABSORBER -Replace together- -Not as spare part- -Replaced by 214592-
1	214592	2	FRONT SHOCK ABSORBER -Replace together-
2	191203	2	SPRING
3	186489	2	UPPER SPACER
4	186487	2	LOWER SPACER
5	153286	4	RUBBER
6	145478	4	FLEXIBLE RING
7	153285	2	BALL JOINT -Valid for shock absorber 190401 Ref.1-
7	157630	2	BALL JOINT -Valid for shock absorber 214592 Ref.1-
8	190332	2	UPPER CUP
9	189998	2	SHOCK ABSORBER PAD
10	186486	2	SPACER
11	174726	2	RING NUT
12	190330	2	LOWER CUP
13	204606	2	HYPERBLOCK
14	10520124	2	WASHER
15	183417	2	NUT -Not as spare part- -Replaced by 203795-
15	203795	2	NUT
16	13543634	8	STUD
17	104030	8	NUT
18	14496524	8	WASHER
19	191619	2	SCREW
20	102825	2	NUT
21	12646921	2	WASHER
22	197232	2	BEARING FOR WHEEL
23	190723	8	SCREW WITH WASHER
24	198487	2	FRONT BRAKE DISC
25	16043424	2	SCREW
26	127496	4	WASHER
27	104370	2	BRAKE DISC FIXING SCREW
28	190702	2	SPACER
29	188335	2	FIXING CLIP

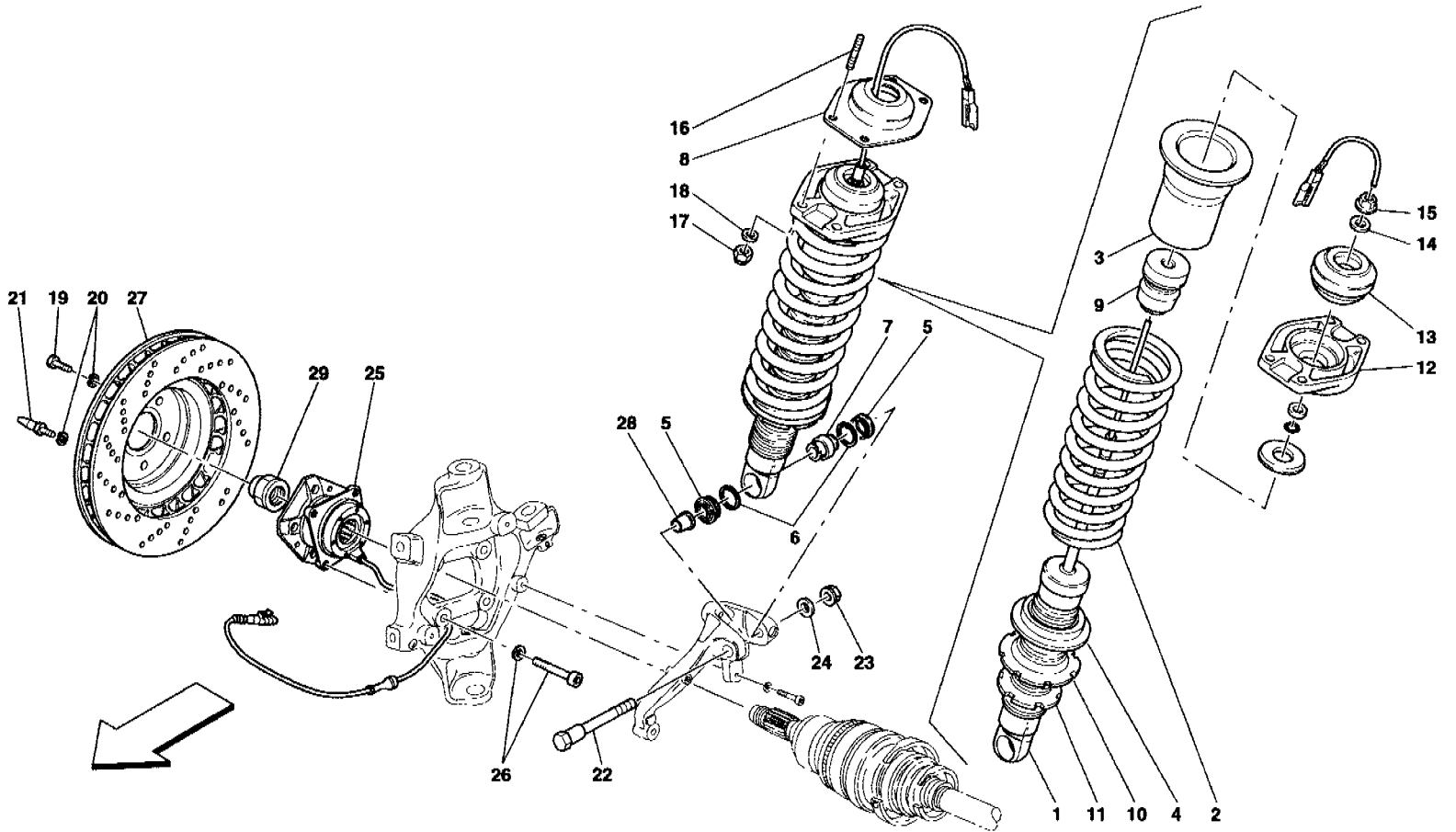
612 SCAGLIETTI - 53 - FRONT SUSPENSION - WISHBONES AND STABILIZER BAR



612 SCAGLIETTI - 53 - FRONT SUSPENSION - WISHBONES AND STABILIZER BAR

1	207579	2	COMPLETE UPPER LEVER
2	179555	2	COMPENSATOR RING
3	171848	4	BOOT
4	190274	2	SPACER
5	188581	2	SCREW
6	194801	4	FLAMBLOC -Replace together- -Valid till stock exhaustion-
6	209167	4	FLAMBLOC -Replace together-
7	170155	8	THREADED BAR
8	104030	8	NUT
9	14496524	8	WASHER
10	124338	8	WASHER
11	13582210	8	THREADED INSERT
12	190272	2	SCREW
13	190729	1	R.H. FRONT STEERING KNUCKLE
13	190730	1	L.H. FRONT STEERING KNUCKLE
14	207576	2	COMPLETE LOWER LEVER
15	171847	4	BOOT
16	190273	2	SPACER
17	179554	2	COMPENSATOR RING
18	196789	4	FLAMBLOC
19	104114	8	NUT
20	14496624	8	WASHER
21	200938	8	SPACER
21	203312	8	-Possible fitting- SPACER -Th.1 mm-
21	203313	8	-Possible fitting- SPACER -Th.1,5 mm-
21	203314	8	-Possible fitting- SPACER -Th.2 mm-
21	203315	8	-Possible fitting- SPACER -Th.2,5 mm-
21	203316	8	-Possible fitting- SPACER -Th.3 mm-
22	170154	8	THREADED BAR
23	13582310	8	THREADED INSERT
24	196068	1	R.H. STEERING KNUCKLE COVER
24	196066	1	L.H. STEERING KNUCKLE COVER
25	11625724	6	SCREW WITH WASHER
26	191613	2	BALL TIE ROD
27	12164714	2	NUT
28	12601474	2	WASHER
29	191612	1	ANTI-ROLL BAR
30	196385	2	BAR BUFFER
31	133802	2	PLATE
32	16043834	4	SCREW
33	178929	2	BALL JOINT -Not as spare part- -Replaced by 203633-
33	203633	2	BALL JOINT
34	178928	2	BALL JOINT -Not as spare part- -Replaced by 203632-
34	203632	2	BALL JOINT

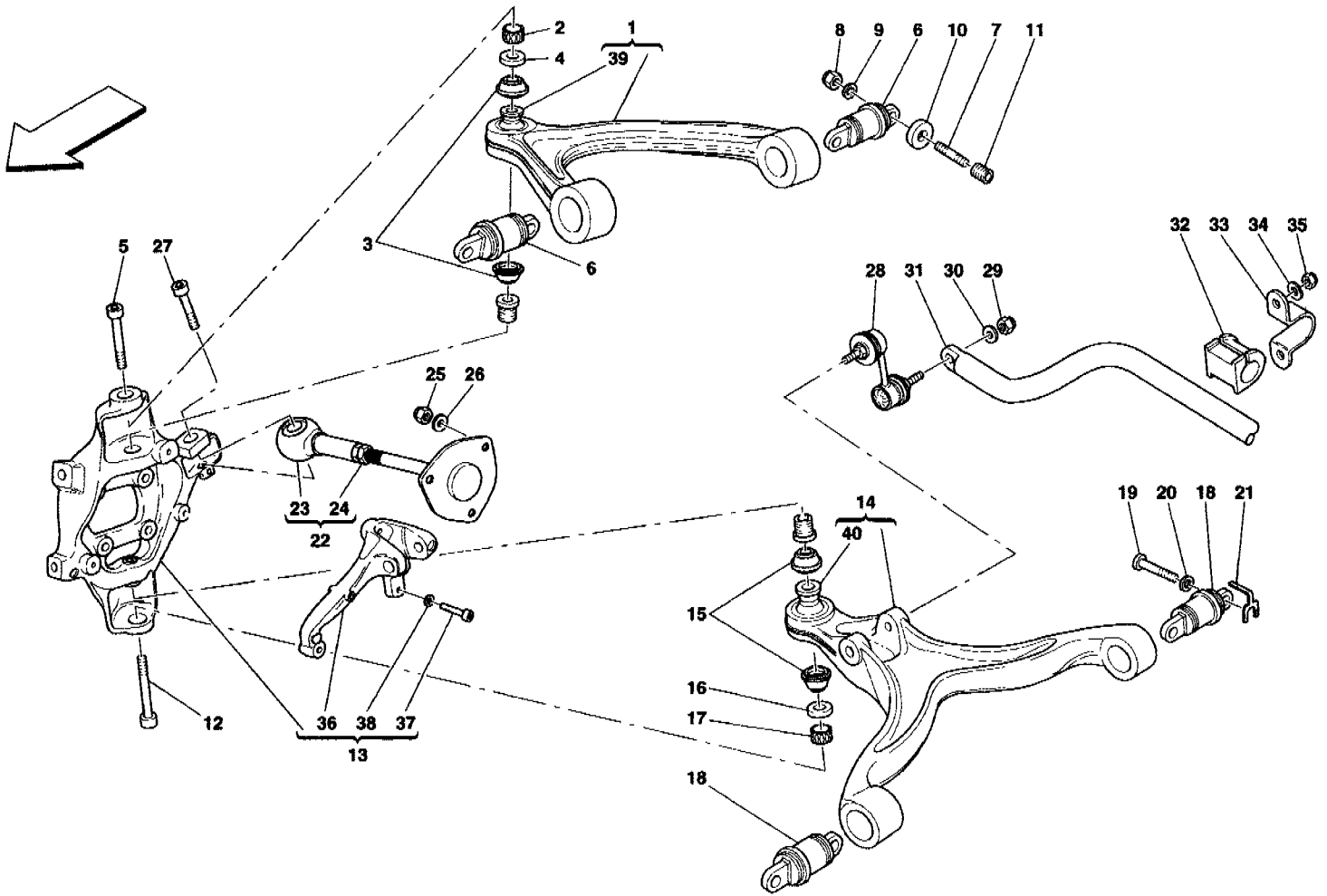
612 SCAGLIETTI - 54 - REAR SUSPENSION - SHOCK ABSORBER AND BRAKE DISC



612 SCAGLIETTI - 54 - REAR SUSPENSION - SHOCK ABSORBER AND BRAKE DISC

1	190366	2	REAR SHOCK ABSORBER -Replace together- -Not as spare part- -Replaced by 214591-
1	214591	2	REAR SHOCK ABSORBER -Replace together-
2	186570	2	SPRING
3	186489	2	UPPER SPACER
4	186487	2	LOWER SPACER
5	153286	4	RUBBER
6	145478	4	FLEXIBLE RING
7	153285	2	BALL JOINT -Valid for shock absorber 190366 Ref.1-
7	157630	2	BALL JOINT -Valid for shock absorber 214591 Ref.1-
8	190332	2	UPPER CUP
9	189997	2	SHOCK ABSORBER PAD
10	186486	2	SPACER
11	174726	2	RING NUT
12	190330	2	LOWER CUP
13	204606	2	HYPERBLOCK
14	10520124	2	WASHER
15	183417	2	NUT -Not as spare part- -Replaced by 203795-
15	203795	2	NUT
16	13543634	8	STUD
17	104030	8	NUT
18	14496524	8	WASHER
19	16043424	2	SCREW
20	127496	4	WASHER
21	104370	2	BRAKE DISC FIXING SCREW
22	190530	2	SCREW
23	14058721	2	NUT
24	155002	2	WASHER
25	197232	2	BEARING FOR WHEEL
26	190723	8	SCREW WITH WASHER
27	198488	2	REAR BRAKE DISC
28	190702	2	SPACER
29	187814	2	NUT

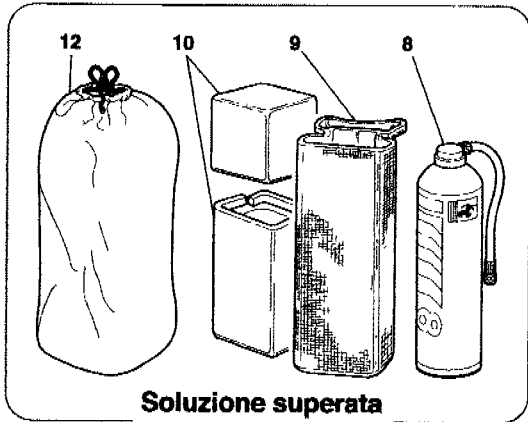
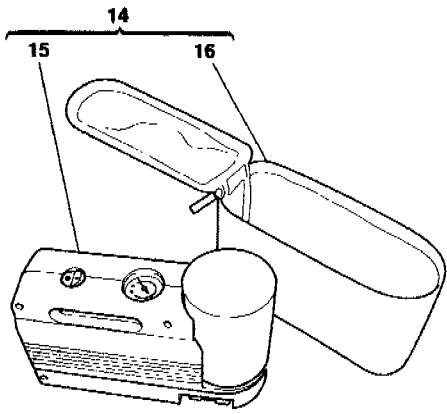
612 SCAGLIETTI - 55 - REAR SUSPENSION - WISHBONES AND STABILIZER BAR



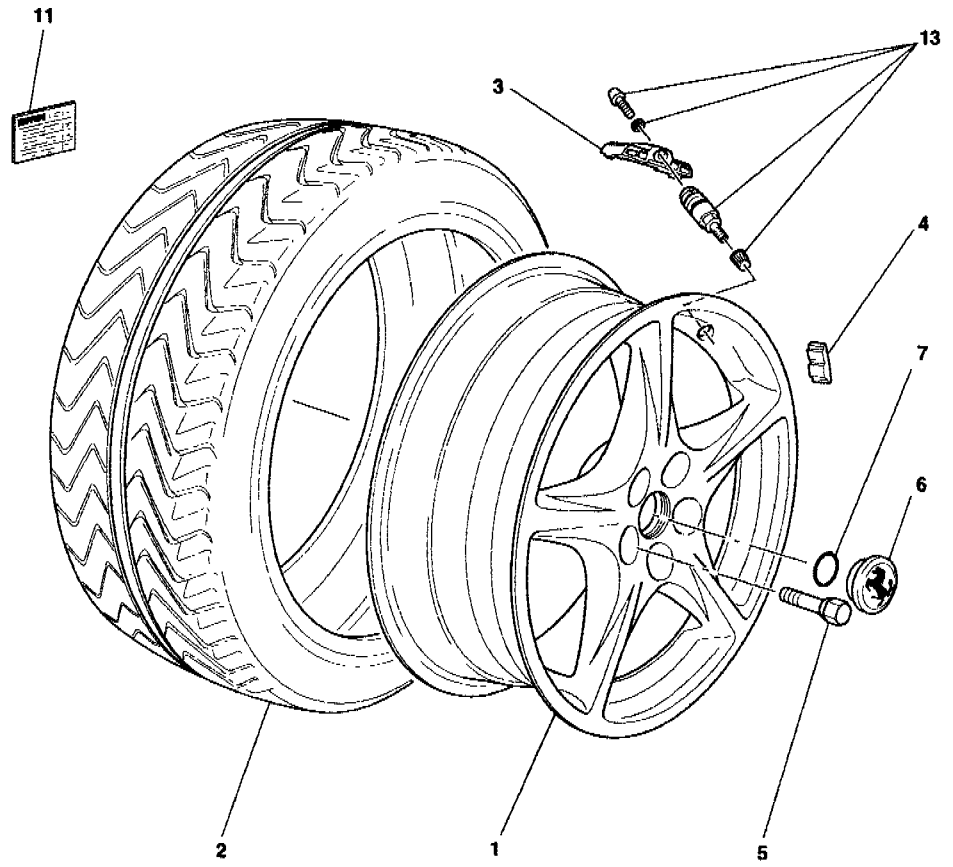
612 SCAGLIETTI - 55 - REAR SUSPENSION - WISHBONES AND STABILIZER BAR

1	207582	2	COMPLETE UPPER LEVER
2	179555	2	COMPENSATOR RING
3	171848	4	BOOT
4	190274	2	SPACER
5	188581	2	SCREW
6	194801	4	FLAMBLOC -Replace together- -Valid till stock exhaustion-
6	209167	4	FLAMBLOC -Replace together-
7	170155	8	THREADED BAR
8	104030	8	NUT
9	14496524	8	WASHER
10	124338	8	WASHER
11	13582210	8	THREADED INSERT
12	190272	2	SCREW
13	190750	1	R.H. REAR STEERING KNUCKLE
13	190751	1	L.H. REAR STEERING KNUCKLE
14	207581	2	COMPLETE LOWER LEVER
15	171847	4	BOOT
16	190273	2	SPACER
17	179554	2	COMPENSATOR RING
18	196789	4	FLAMBLOC
19	182215	8	SCREW
20	14496624	8	WASHER
21	200938	8	SPACER -Possible fitting-
21	203312	8	SPACER -Th.1 mm- -Possible fitting-
21	203313	8	SPACER -Th.1,5 mm- -Possible fitting-
21	203314	8	SPACER -Th.2 mm- -Possible fitting-
21	203315	8	SPACER -Th.2,5 mm- -Possible fitting-
21	203316	8	SPACER -Th.3 mm- -Possible fitting-
22	194792	2	COMPLETE TIE ROD
23	194794	2	ROD END FOR TIE ROD
24	204248	2	NUT
25	104030	6	NUT
26	12647604	6	WASHER
27	179556	2	SCREW
28	168993	2	BALL TIE ROD
29	12164714	2	NUT
30	12601474	2	WASHER
31	199593	1	ANTI-ROLL BAR
32	196385	2	BAR BUFFER
33	133802	2	PLATE
34	113113	4	WASHER
35	104030	4	NUT
36	205005	2	SHOCK ABSORBER CONNECTION SUPPORT
37	14312034	2	SCREW -Not as spare part- -Replaced by 212601-
37	212601	2	SCREW
38	11194174	2	WASHER -Not as spare part-
39	178929	2	BALL JOINT -Not as spare part- -Replaced by 203633-
39	203633	2	BALL JOINT

40	178928	2	BALL JOINT -Not as spare part-
40	203632	2	-Replaced by 203632- BALL JOINT



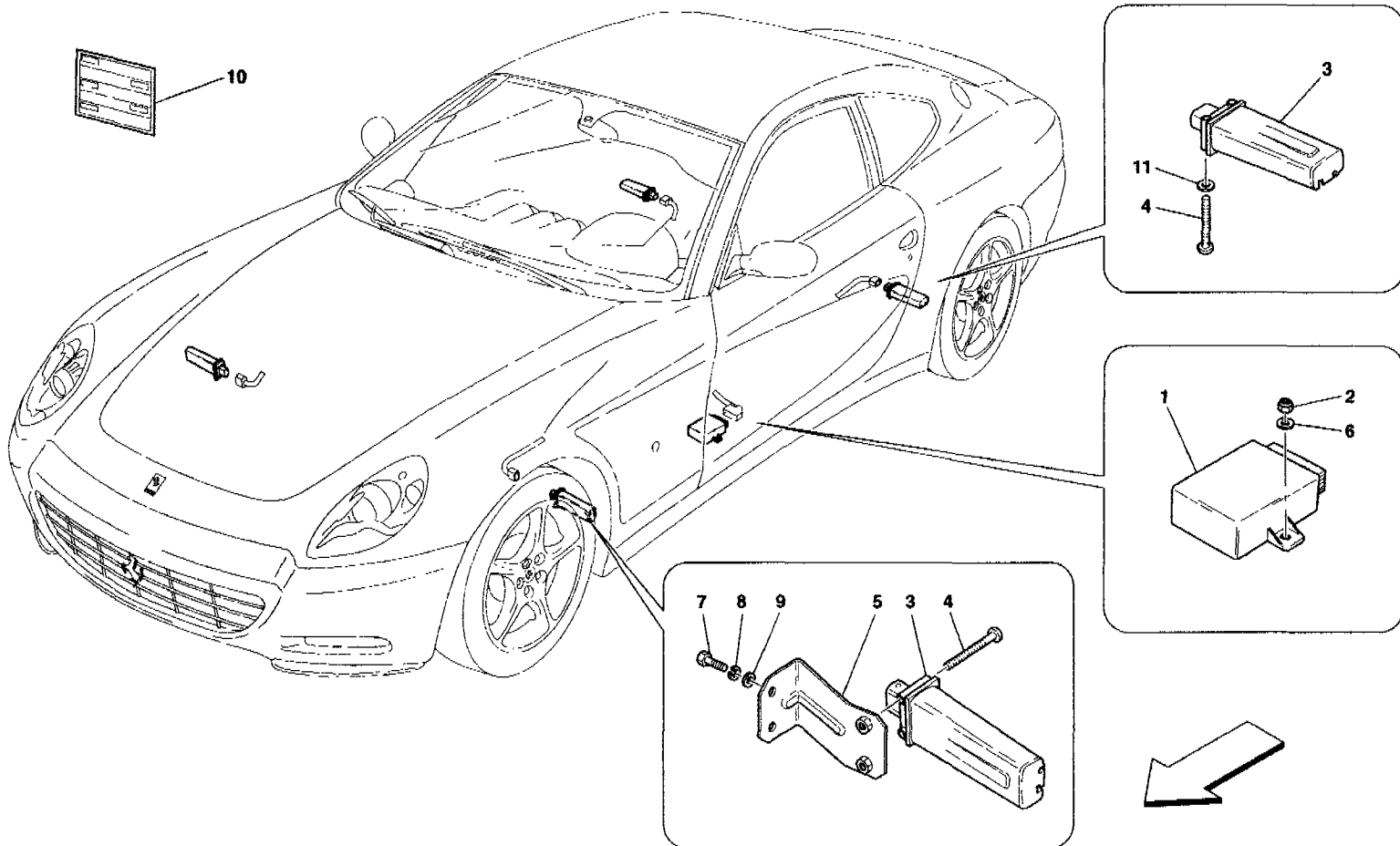
Soluzione superata
Old solution



612 SCAGLIETTI - 56 - WHEELS

1	194186	2	FRONT WHEEL RIM 8"J X18"
1	206709	2	FRONT WHEEL RIM 8"J X18" -With peen forming surface induction-
1	199138	2	FRONT WHEEL RIM 8"J X19" -Optional-
1	194187	2	REAR WHEEL RIM 10"J X19"
1	206710	2	REAR WHEEL RIM 10"J X19" -With peen forming surface induction-
1	199137	2	REAR WHEEL RIM 10"J X 19" EH2 -Optional-
2	-	2	FRONT TYRE -Not supplied-
2	-	2	REAR TYRE -Not supplied-
3	185189	4	TYRES PRESSURE CONTROL SENSOR -Not for J-
3	199418	4	TYRES PRESSURE CONTROL SENSOR -Valid for J-
4	192934	-	COUNTER-WEIGHT -50 Gr.-
5	192724	20	WHEEL STUD
6	108947	4	RIM CUP
7	120065	4	GASKET
8	137724	1	CYLINDER FOR TYRE REPAIR
9	145506	1	PORTFOLIO
10	166537	1	POLYSTYRENE FOAM CASE
11	194640	1	TYRE PRESSURE PLATE -PIRELLI- -Not for USA and CDN-
11	215091	1	TYRE PRESSURE PLATE -PIRELLI- -Valid for 19"- -Optional- -Not for USA and CDN-
11	210771	1	TYRE PRESSURE PLATE -PIRELLI- -Valid for USA and CDN-
11	210772	1	TYRE PRESSURE PLATE -PIRELLI- -Valid for 19"- -Optional- -Valid for USA and CDN-
11	194642	1	TYRE PRESSURE PLATE -BRIDGESTONE- -Not for USA and CDN-
11	215092	1	TYRE PRESSURE PLATE -BRIDGESTONE- -Valid for 19"- -Optional- -Not for USA and CDN-
11	210770	1	TYRE PRESSURE PLATE -BRIDGESTONE- -Valid for USA and CDN-
11	215090	1	TYRE PRESSURE PLATE -BRIDGESTONE- -Valid for 19"- -Optional- -Valid for USA and CDN-
12	173688	1	BAG
13	185328	4	VALVE -Not as spare part- -Replaced by 214721-
13	214721	4	VALVE
14	68926600	1	COMPLETE TYRE REPAIR KIT
15	215486	1	TYRE REPAIR KIT
16	68926700	1	PORTFOLIO

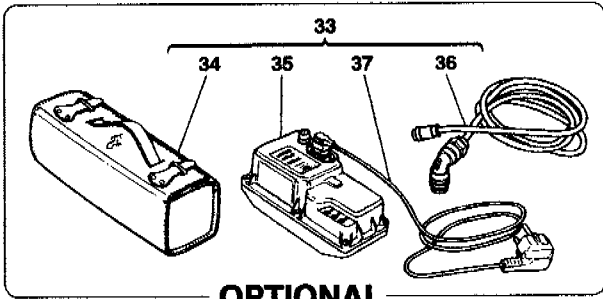
612 SCAGLIETTI - 57 - TYRES PRESSURE CONTROL SYSTEM



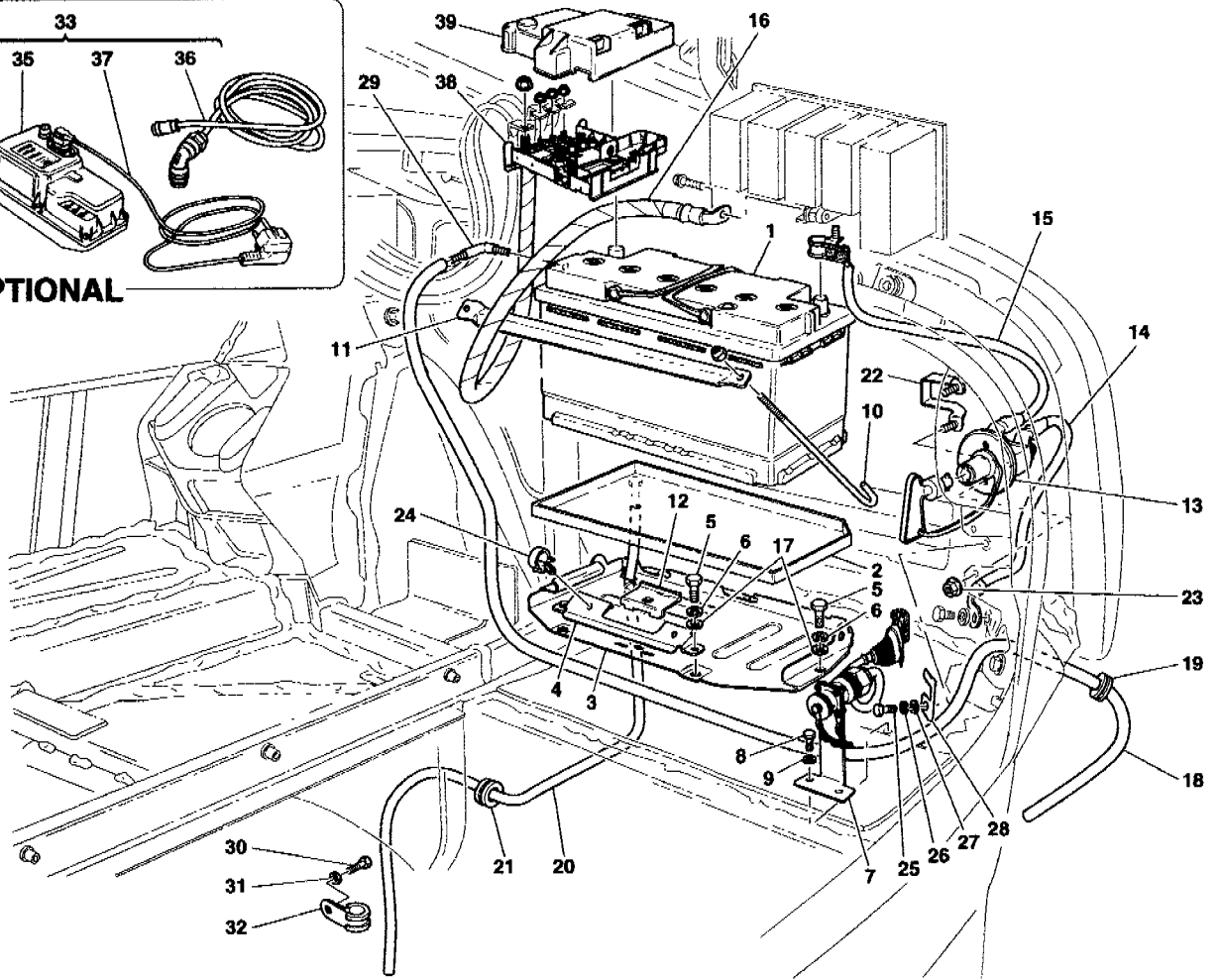
-612 SCAGLIETTI - 57 - TYRES PRESSURE CONTROL SYSTEM

1	200811	1	TYRES PRESSURE CONTROL STATION
2	113647	2	NUT
3	191443	4	TYRES PRESSURE CONTROL ANTENNA
3	191444	4	-Not for J- TYRES PRESSURE CONTROL ANTENNA
4	13272824	8	-Valid for J- SCREW
5	191535	2	FRONT BRACKET
6	12637824	2	WASHER
7	10977724	4	SCREW
8	127493	4	WASHER
9	12637824	4	WASHER
10	194621	1	SYSTEM TYRE PRESSURE PLATE
11	12620374	4	WASHER

612 SCAGLIETTI - 58 - BATTERY



OPTIONAL

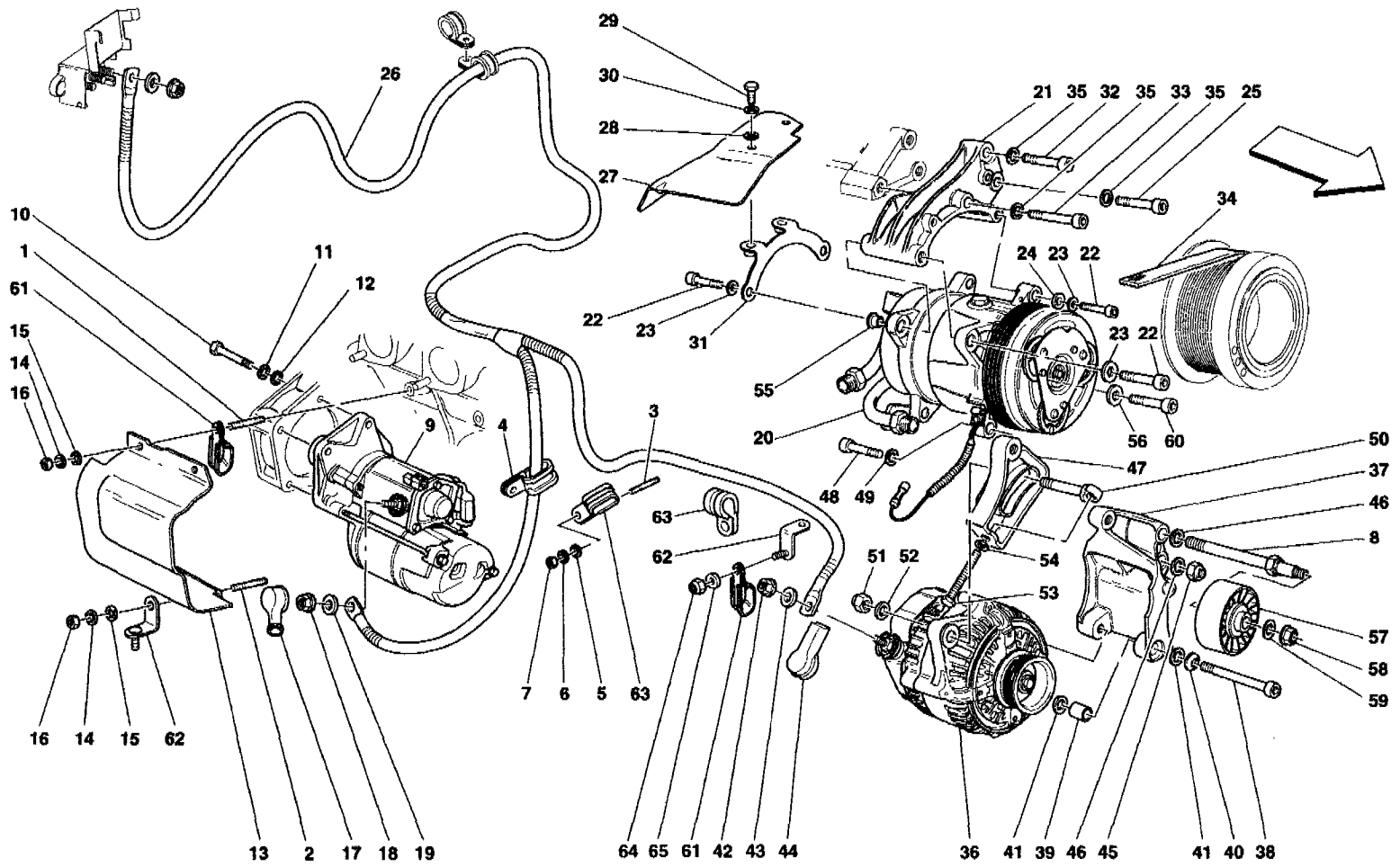


612 SCAGLIETTI - 58 - BATTERY

1	191374	1	BATTERY 12V-100AH-850A
2	191508	1	PAN FOR BATTERY LIQUID
3	191509	1	BATTERY BIN
4	191538	1	BRACKET FOR BATTERY INTRODUCTION
5	16043624	6	SCREW
6	127496	6	WASHER
7	200857	1	BATTERY CHARGER LINK CABLE -Valid till Ass. Nr. 55349-
7	191554	1	BATTERY CHARGER LINK CABLE -Valid from Ass. Nr. 55350-
8	16285127	2	SCREW
9	12620374	2	WASHER
10	188272	2	TIE ROD
11	188273	1	BRACKET FOR BATTERY FIXING
12	191507	1	MOBILE BRACKET FOR BATTERY FIXING
13	196157	1	CUT-OUT SWITCH
14	196553	1	CUT OUT SWITCH-MASS CONNECTING PLAIT
15	196552	1	BATTERY-CUT OUT SWITCH CONNECTING PLAIT
16	194335	1	BATTERY POSITIVE CABLE -Not for GD-
16	205689	1	BATTERY POSITIVE CABLE -Valid for GD-
17	14496524	6	WASHER
18	191537	1	PIPE -Not as spare part- -Replaced by 214478-
18	214478	1	PIPE
19	10396380	1	CABLE GROMMET
20	199629	1	BATTERY VENT PIPE -Not as spare part- -Replaced by 214479-
20	214479	1	BATTERY VENT PIPE
21	10396280	1	CABLE GROMMET
22	191533	1	BRACKET
23	14059111	2	NUT
24	14569880	2	CLIP
25	10902124	1	SCREW
26	127494	1	WASHER
27	12643724	1	WASHER
28	162606	1	CLIP
29	199631	1	UNION
30	10902324	1	SCREW
31	127494	1	WASHER
32	10441390	1	BRACKET WITH SHEATH
33	178682	1	BATTERY CHARGER KIT -Not for USA, CDN, J, GB, Hong Kong and AUS- -Optional-
33	178683	1	BATTERY CHARGER KIT -Valid for USA, CDN and J- -Optional-
33	178685	1	BATTERY CHARGER KIT -Valid for GB and Hong Kong- -Optional-
33	178684	1	BATTERY CHARGER KIT -Valid for AUS- -Optional-
34	65699200	1	BATTERY BAG CASE -Optional-
35	177791	1	BATTERY CHARGER -230V-

35	177792	1	-Not for USA, CDN and J- -Optional- BATTERY CHARGER -110V-
36	178676	1	-Not for USA, CDN and J- -Optional- CABLE WITH CONNECTOR
37	177794	1	-Optional- POWER SUPPLY CABLE -Not for USA, CDN, J, GB, Hong Kong and AUS-
37	177795	1	-Optional- POWER SUPPLY CABLE -Valid for USA, CDN and J-
37	178294	1	-Optional- POWER SUPPLY CABLE -Valid for GB and Hong Kong-
37	177796	1	-Optional- POWER SUPPLY CABLE -Valid for AUS-
38	199904	1	-Optional- BATTERY CONTROL STATION
39	199905	1	COVER FOR BATTERY CONTROL STATION

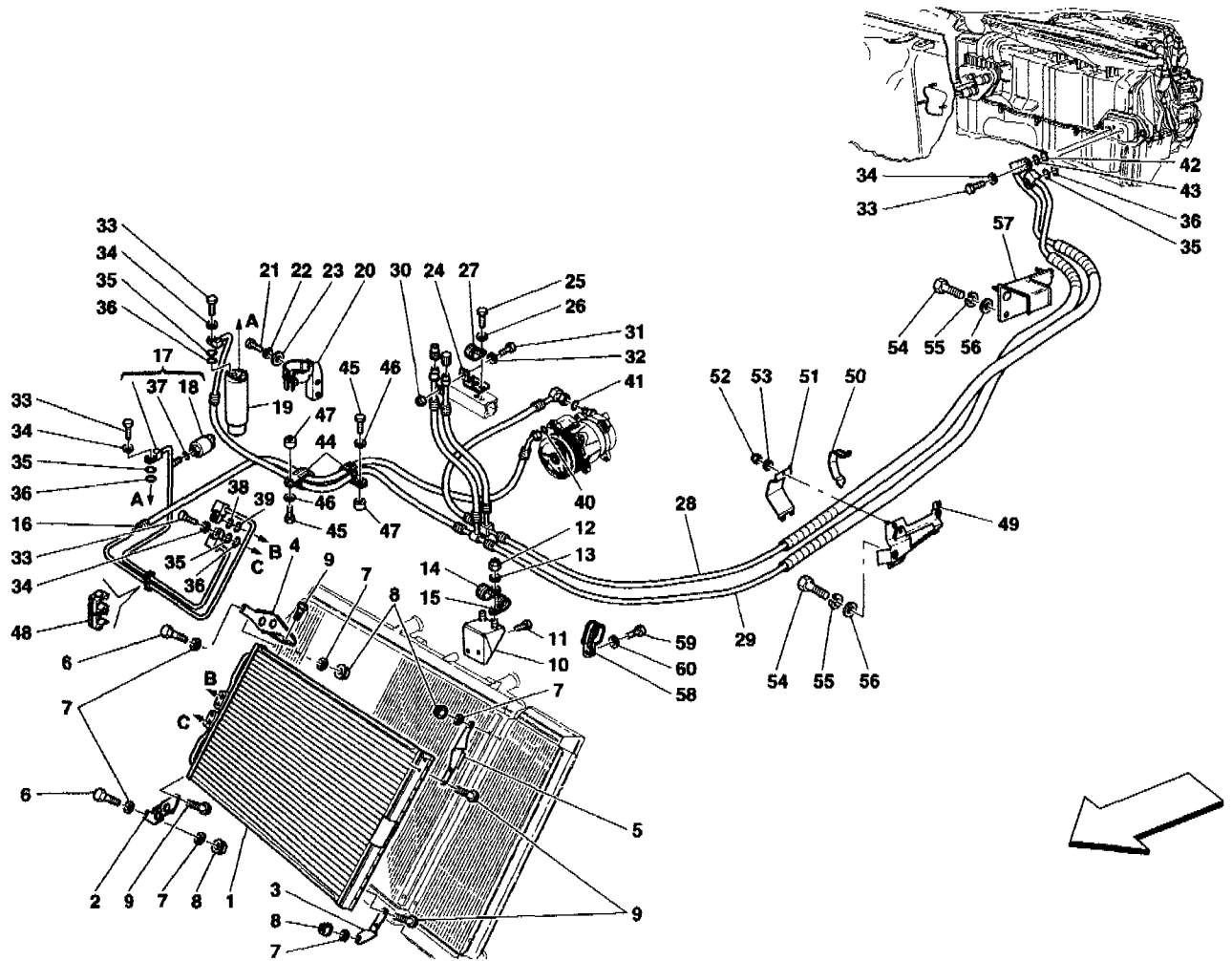
612 SCAGLIETTI - 59 - ALTERNATOR - STARTING MOTOR - AIR CONDITIONING COMPRESSOR



612 SCAGLIETTI - 59 - ALTERNATOR - STARTING MOTOR - AIR CONDITIONING COMPRESSOR

1	11500124	2	STUD
2	13540824	1	STUD
3	13540824	2	STUD
4	10441990	3	BRACKET WITH SHEATH
5	12639724	2	WASHER
6	127494	2	WASHER
7	15896214	2	NUT
8	175033	1	PIN
9	164397	1	STARTER MOTOR
10	16044921	2	SCREW
			-L. 85-
10	16044821	1	SCREW
			-L. 80-
11	10519624	3	WASHER
12	11193874	3	WASHER
13	176333	1	SHIELD FOR STARTER MOTOR PROTECTION
14	12644424	3	WASHER
15	127494	3	WASHER
16	15896214	3	NUT
17	124683	1	PROTECTION BOOT
18	147985	1	NUT
19	12638524	1	WASHER
20	204539	1	AIR CONDITIONING COMPRESSOR
21	170595	1	SUPPORT
22	14307624	4	SCREW
23	11190574	6	WASHER
24	10569474	1	WASHER
25	14307724	1	SCREW
26	192559	1	CONNECTION CABLES FOR MOTOR DEVICES
			-Not for GD-
26	201433	1	CONNECTION CABLES FOR MOTOR DEVICES
			-Valid for GD-
27	176334	1	SHIELD FOR COMPRESSOR PROTECTION
28	12644424	2	WASHER
29	10902124	2	SCREW
30	127494	2	WASHER
31	165490	1	BRACKET
32	101632	1	SCREW
33	14307924	1	SCREW
34	201444	1	BELT FOR ALTERNATOR AND COMPRESSOR
35	11190574	3	WASHER
36	193267	1	ALTERNATOR
37	175035	1	ALTERNATOR SUPPORT
38	137920	1	SCREW
39	123172	1	BUSHING
40	11190574	1	WASHER
41	13550401	2	WASHER
42	16102314	1	NUT
43	12601374	1	WASHER
44	154803	1	PROTECTION BOOT
45	102825	1	NUT
46	13507411	2	WASHER
47	164533	1	BELT TIGHTENING BRACKET
48	14307624	1	SCREW
49	11190574	1	WASHER
50	148629	1	PIN
51	102742	1	NUT
52	13550401	1	WASHER
53	125668	1	SCREW
54	14496524	1	WASHER
55	164538	2	BUSHING
56	11190574	1	WASHER

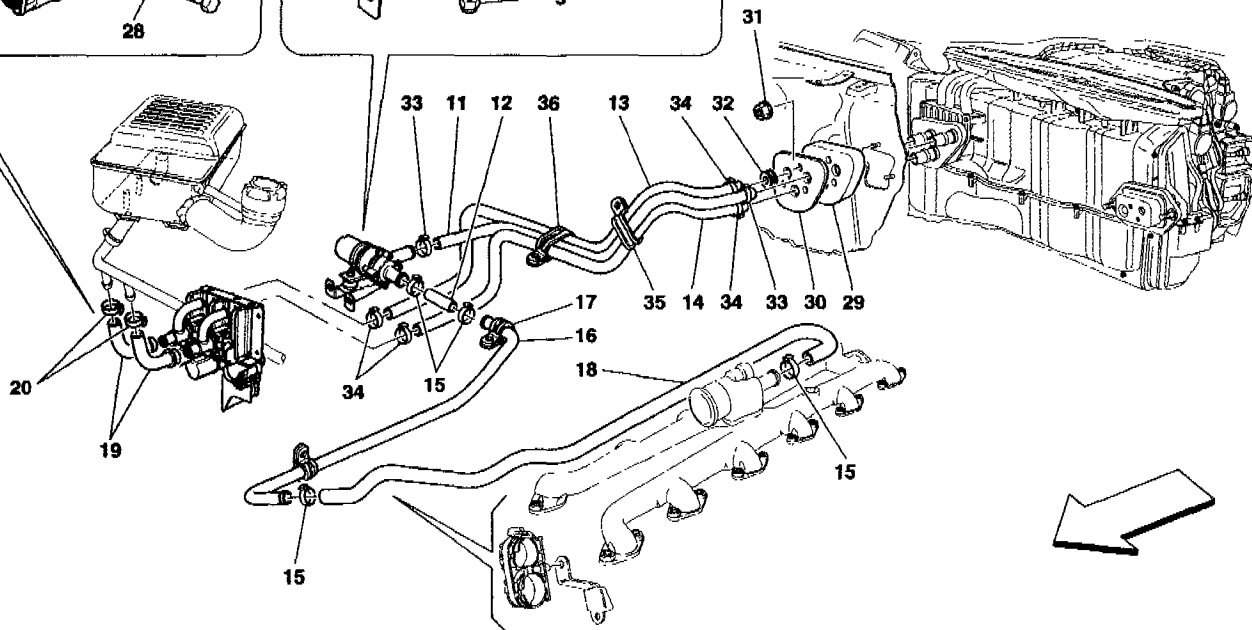
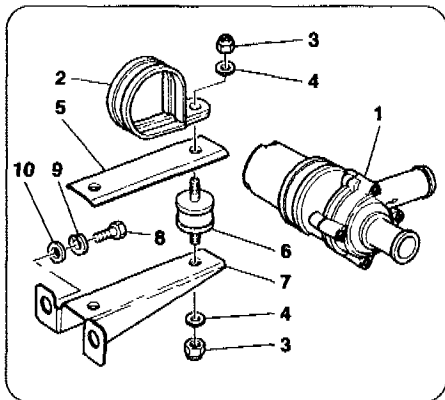
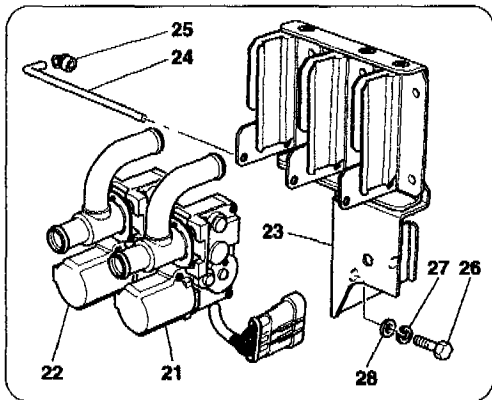
57	172537	1	COMPLETE BELT TIGHTENING PULLEY
58	133216	1	NUT
59	102695	1	WASHER
60	14307624	1	SCREW
61	10442190	2	BRACKET WITH SHEATH
62	149694	2	PIPE FIXING BRACKET
63	10442090	2	BRACKET WITH SHEATH
64	102741	2	NUT
65	10519424	2	WASHER



612 SCAGLIETTI - 60 - AIR CONDITIONING SYSTEM - FREON PIPES

1	199479	1	A.C. CONDENSER
2	199486	1	LOWER R.H. BRACKET
3	199488	1	LOWER L.H. BRACKET
4	199485	1	UPPER R.H. BRACKET
5	199487	1	UPPER L.H. BRACKET
6	10977824	2	SCREW
7	12637824	6	WASHER
8	14058311	4	NUT
9	165136	8	SCREW
10	67851700	1	PIPES FIXING BRACKET
11	10902324	2	SCREW
12	169180	2	NUT
13	12637824	2	WASHER
14	10441290	2	BRACKET WITH SHEATH
15	10441590	2	BRACKET WITH SHEATH
16	66983000	1	GAS PIPE FROM COMPRESSOR TO CONDENSER
17	66982800	1	GAS PIPE FROM CONDENSER TO FILTER
18	66374400	1	PRESSOSTAT
19	67085100	1	DEHYDRATING FILTER
20	67001100	1	DEWATERER FILTER FIXING BRACKET
21	10902424	3	SCREW
22	127494	3	WASHER
23	12643724	3	WASHER
24	67444300	1	PIPES FIXING BRACKET
25	10977824	2	SCREW
26	13506704	2	WASHER
27	10441590	1	BRACKET WITH SHEATH
28	66983100	1	COMPRESSOR SUCTION PIPE -Not for GD-
28	68124400	1	COMPRESSOR SUCTION PIPE -Valid for GD-
29	66982900	1	PIPE FROM FILTER TO EVAPORATOR
30	169180	1	NUT
31	10977824	1	SCREW
32	127493	1	WASHER
33	10902624	4	SCREW
34	11193274	4	WASHER
35	68392000	4	O.R. GASKET
36	68392100	4	O.R. GASKET
37	66309600	1	O.R. GASKET
38	68392700	1	O.R. GASKET
39	66309700	1	O.R. GASKET
40	66309400	1	O.R. GASKET
41	66309500	1	O.R. GASKET
42	66309800	1	O.R. GASKET
43	68392800	1	O.R. GASKET
44	139512	2	BRACKET WITH SHEATH
45	10902424	2	SCREW
46	127494	2	WASHER
47	13604115	2	SPACER
48	145543	2	FLEXIBLE CLIP
49	67851300	1	BRACKET FIXING PLATE
50	67851200	1	PIPES FIXING REAR BRACKET
51	67851100	1	PIPES FIXING FRONT BRACKET
52	15896211	1	NUT
53	13550201	1	WASHER
54	10902324	5	SCREW
55	127494	5	WASHER
56	12643724	5	WASHER
57	67851600	1	PIPES FIXING BRACKET
58	61712500	2	BRACKET WITH SHEATH
59	10902324	2	SCREW
60	127494	2	WASHER

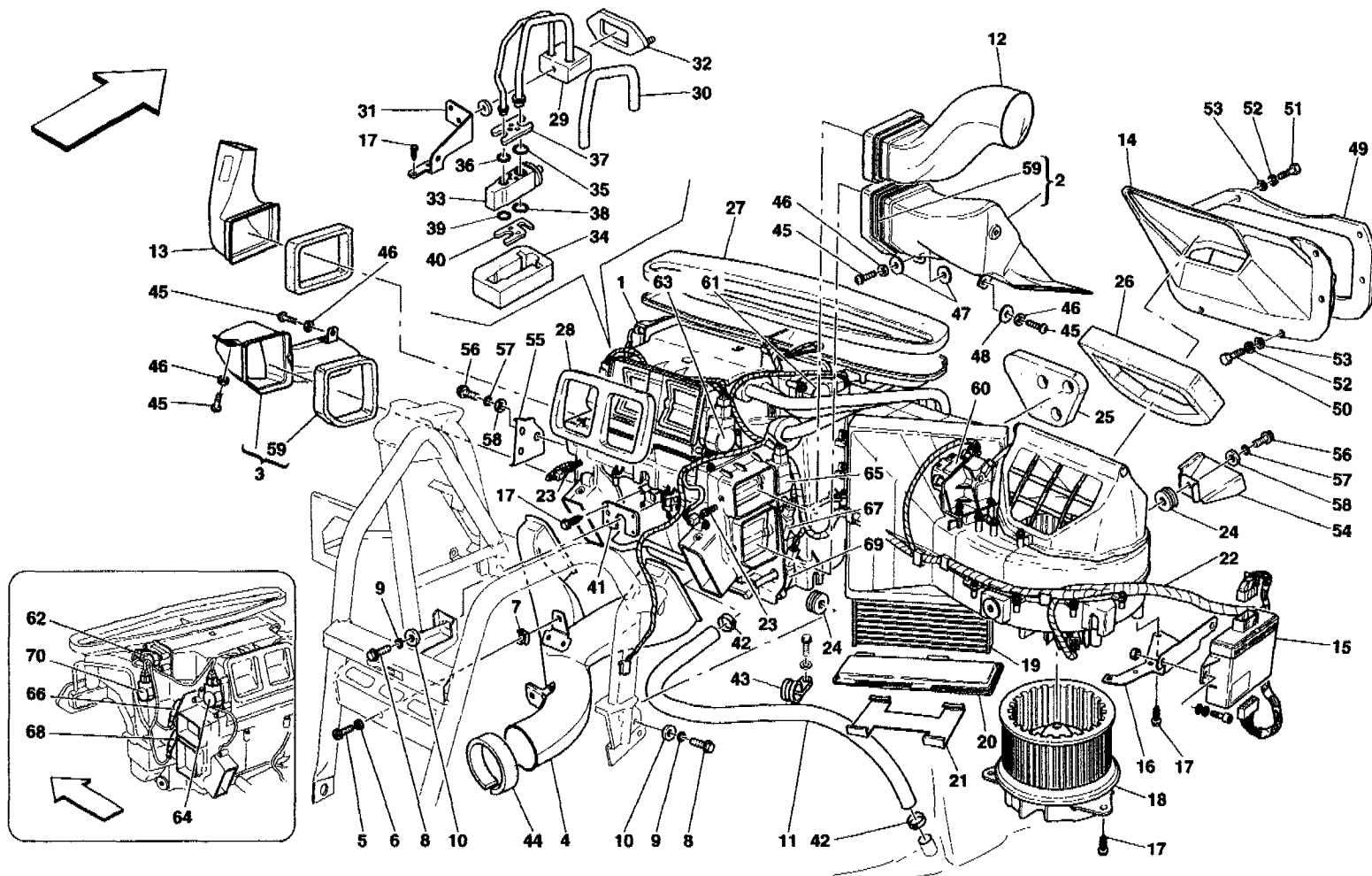
612 SCAGLIETTI - 61 - AIR CONDITIONING SYSTEM - WATER PIPES



612 SCASLIETTI - 61 - AIR CONDITIONING SYSTEM - WATER PIPES

1	65460300	1	COMPLETE WATER PUMP
2	107002	1	BRACKET WITH SHEATH
3	15896214	4	NUT
4	10571570	4	WASHER
5	64246500	1	BRACKET FOR PUMP
6	142202	2	PAD
7	67925600	1	BRACKET FOR PUMP SUPPORT
8	10902224	2	SCREW
9	127494	2	WASHER
10	12643724	2	WASHER
11	66983700	1	PIPE FROM PUMP TO HEATER
11	68124700	1	-Not for GD- PIPE FROM PUMP TO HEATER
12	124028	1	-Valid for GD- RUBBER HOSE
13	67444600	1	PIPE FROM HEART TO R.H. TGK
13	68124800	1	-Not for GD- PIPE FROM HEART TO R.H. TGK
14	67444700	1	-Valid for GD- PIPE FROM HEART TO L.H. TGK
14	68124900	1	-Not for GD- PIPE FROM HEART TO L.H. TGK
15	186680	4	-Valid for GD- CLAMP
16	199506	1	RIGID PIPE FOR WATER
16	68124500	1	-Not for GD- RIGID PIPE FOR WATER
17	10418901	1	-Valid for GD- BRACKET
18	199505	1	SHAPED TUBE
19	185579	2	RUBBER HOSE
20	183126	2	CLAMP
21	67444900	1	L.H. TGK VALVE
22	67635900	1	R.H. TGK VALVE
23	67332000	1	TGK VALVE SUPPORTING BRACKET
23	68122300	1	-Not for GD- TGK VALVE SUPPORTING BRACKET
24	67933600	1	-Valid for GD- TGK VALVE FIXING WIRE ROD
25	175871	2	CLIP
26	10902224	2	SCREW
27	127494	2	WASHER
28	12643724	2	WASHER
29	67628400	1	PIPE GASKET
30	67628500	1	PLATE
31	14039614	3	NUT
32	67628300	3	SPACER
33	13433370	2	SCREW COLLAR
34	178052	4	CLAMP
35	138478	1	CLAMP WITH SHEATH
36	183642	1	CLAMP WITH SHEATH

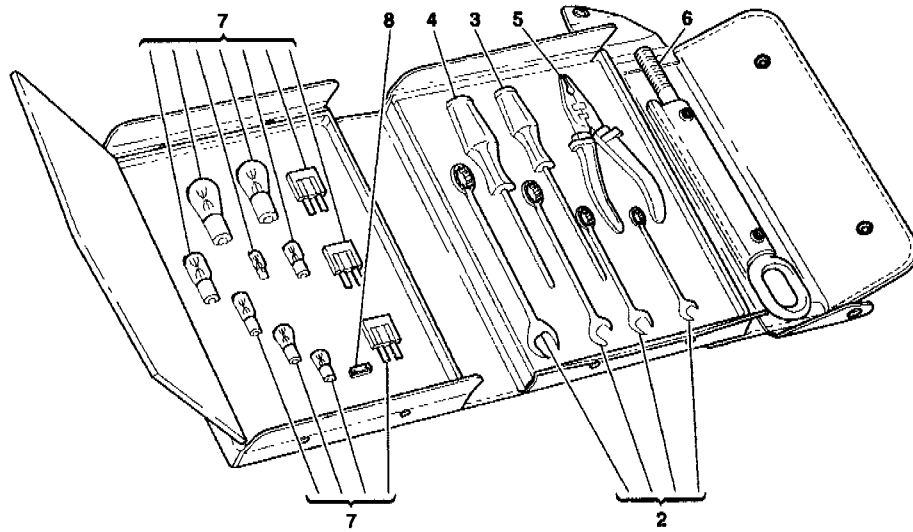
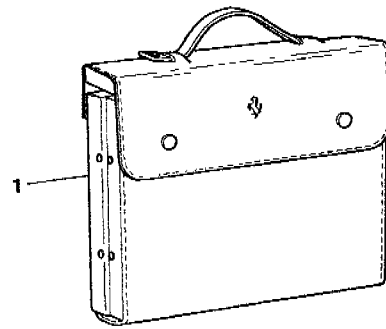
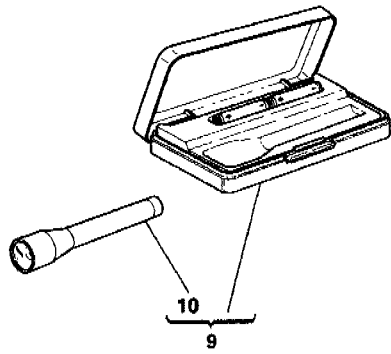
612 SCAGLIETTI - 62 - EVAPORATOR UNIT AND CONTROLS



612 SCAGLIETTI - 62 - EVAPORATOR UNIT AND CONTROLS

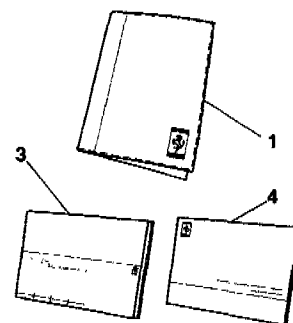
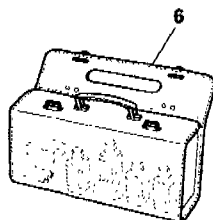
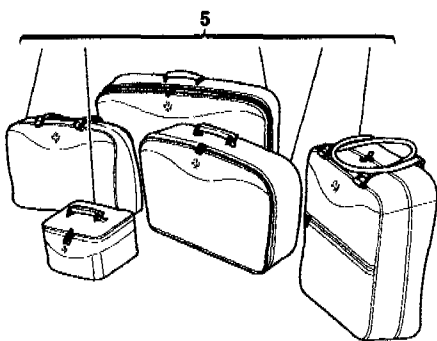
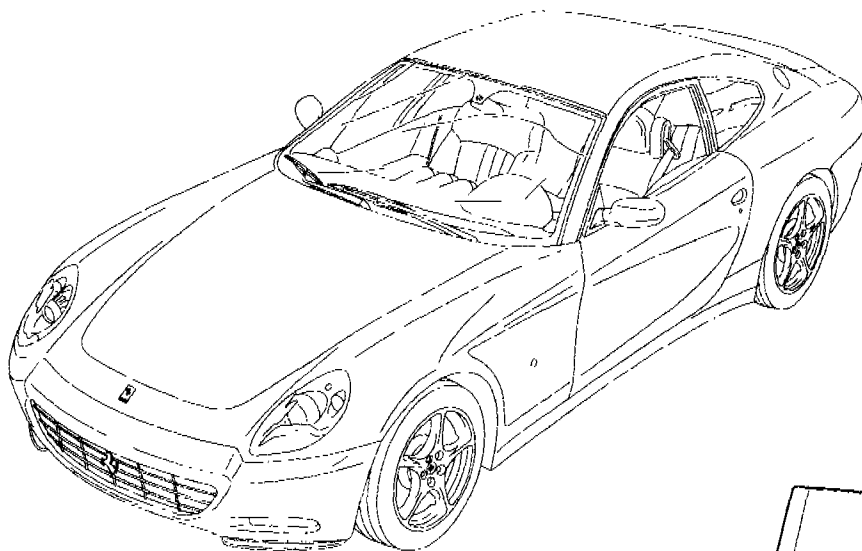
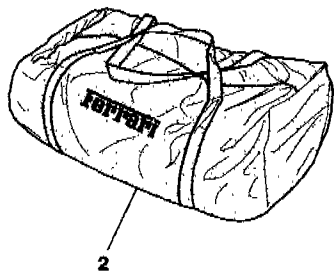
1	66984100	1	EVAPORATOR SET -Not for GD-
1	68125000	1	EVAPORATOR SET -Valid for GD-
2	67002100	1	R.H. AIR DUCTING -Not for GD-
2	67924300	1	R.H. AIR DUCTING -Valid for GD-
3	67002200	1	L.H. AIR DUCTING -Not for GD-
3	67924400	1	L.H. AIR DUCTING -Valid for GD-
4	66853900	1	FRONT AIR DUCTING FOR REAR SEATS
5	13274211	1	SCREW
6	12637824	1	WASHER
7	14197890	1	NUT WITH CAGE
8	16286024	3	SCREW
9	12601274	3	WASHER
10	12643724	3	WASHER
11	67935700	1	PIPE FOR CONDENSATE VENT
12	66853400	1	R.H. SLEEVE -Not for GD-
12	67457100	1	R.H. SLEEVE -Valid for GD-
13	66853500	1	L.H. SLEEVE -Not for GD-
13	67457200	1	L.H. SLEEVE -Valid for GD-
14	68115100	1	AIR CONVEYOR -Not for GD- -Valid till car Nr.138039-
14	68125800	1	AIR CONVEYOR -Not for GD- -Valid from car Nr.138040-
14	67852400	1	AIR CONVEYOR -Valid for GD-
15	191552	1	ELECTRONIC CONTROL STATION
16	68391600	1	CONTROL UNIT FIXING BRACKET -Not for GD-
16	68718600	1	CONTROL UNIT FIXING BRACKET -Valid for GD-
17	68391900	12	SCREW
18	68391000	1	FAN -Not for GD-
18	68615800	1	FAN -Valid for GD-
19	66855200	1	ANTI-POLLEN FILTER
20	68390600	1	FILTER COVER
21	68390700	1	COVER FIXING
22	68391200	1	ELECTRIC WIRING -Not for GD-
22	68615900	1	ELECTRIC WIRING -Valid for GD-
23	68390100	2	SENSOR AIR
24	68389800	5	RUBBER
25	68391500	1	WATER PIPE SINK
26	68389500	1	INLET SINK
27	68390000	1	SINK FOR DEFROST DUCTING
28	68391800	1	FRONT SINK
29	68390200	1	PRESHAPED FREON PIPE ASSEMBLY
30	68391400	1	PROTECTION
31	68390300	1	BRACKET -Not for GD-
32	68389400	1	GASKET
33	68391100	1	TGK VALVE
34	68389600	1	SINK FOR VALVE

35	68391300	1	O.R. GASKET
36	66309300	1	O.R. GASKET
37	64281500	1	UPPER FLANGE
38	66309500	1	O.R. GASKET
39	66309400	1	O.R. GASKET
40	67588300	1	LOWER FLANGE
41	68391700	1	BRACKET
42	178053	2	CLAMP
43	10441790	1	BRACKET WITH SHEATH
44	68296400	1	SPONGE
45	13274111	4	SCREW
46	12637801	4	WASHER
47	12640624	2	WASHER
48	12647701	1	WASHER
49	67612600	1	GASKET
49	67852500	1	-Not for GD- GASKET
50	10978024	5	-Valid for GD- SCREW
51	10977724	1	SCREW
52	127493	6	WASHER
53	12637824	6	WASHER
54	67439100	1	R.H. BRACKET
54	67452700	1	-Not for GD- L.H. BRACKET
55	67439200	1	-Valid for GD- L.H. BRACKET
56	16286024	4	SCREW
57	12601274	4	WASHER
58	12643724	4	WASHER
59	68298300	2	GASKET
60	68887800	1	ACTUATOR
60	69050700	1	-Recycle- -Not for GD- ACTUATOR
61	69050000	1	-Recycle- -Valid for GD- ACTUATOR
62	69050300	1	-R.h. defroster ducting- ACTUATOR
63	69050100	1	-L.h. defroster ducting- ACTUATOR
64	69050200	1	-R.h. front ventilation- ACTUATOR
65	68886800	1	-L.h. front ventilation- ACTUATOR
66	69050500	1	-R.h. lateral ventilation- ACTUATOR
67	68886700	1	-L.h. lateral ventilation- ACTUATOR
68	69050600	1	-R.h. floor air ducting- ACTUATOR
69	68887700	1	-L.h. floor air ducting- ACTUATOR
70	69050400	1	-Rear air ducting- ACTUATOR
			-By-Pass-



612 SCAGLIETTI - 63 - TOOLS EQUIPMENT

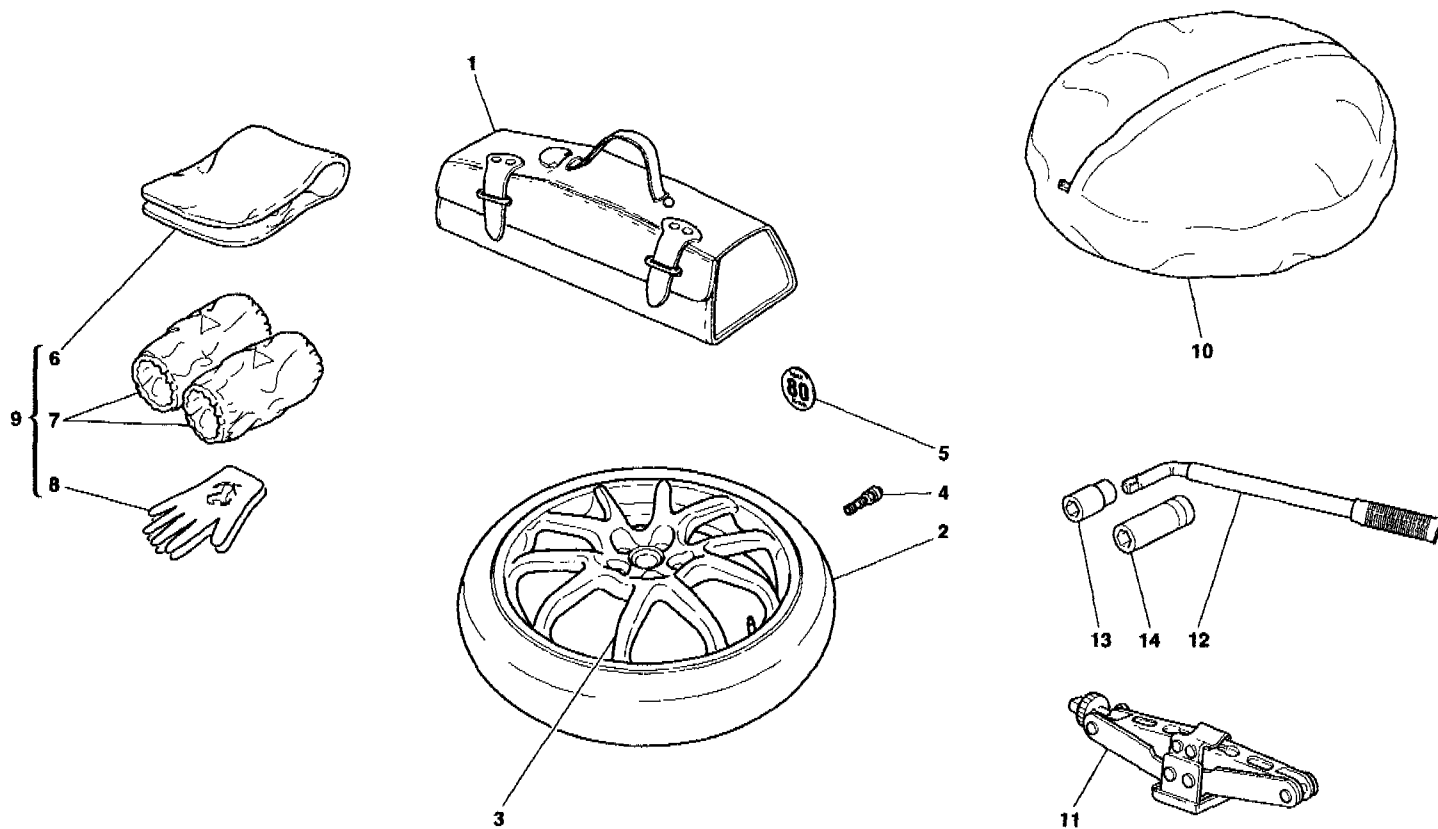
*	205130	1	COMPLETE TOOL KIT BAG
1	190477	1	EMPTY TOOL KIT BAG
2	-	1	WRENCH SET 8/17 -With complete bag-
3	-	1	MM. 125 SCREWDRIVER FOR SLOT SCREW -With complete bag-
4	-	1	MM. 100 SCREWDRIVER FOR CROSS SLOT SCREW -With complete bag-
5	-	1	MM. 160 CUTTING PLIERS -With complete bag-
6	169395	1	TOW HOOK
7	10556890	1	BULB 12V-6W
7	187652	1	HALOGEN BULB 12V-21W
7	14144190	1	ALL GLASS BULB 12V-5W
7	10857790	1	BULB 12V-5W
7	14142390	1	BULB 12V-4W
7	14148190	1	BULB 12V-21W
7	14144690	1	BULB 12V-21/5W
7	14143990	1	ALL GLASS BULB 12V-3W
7	169438	1	MAXI FUSE 20 A.
7	166835	1	MAXI FUSE 40 A.
7	172871	1	MAXI FUSE 60 A.
7	172879	1	MINI FUSE 20 A.
8	178659	1	PLIERS
9	182261	1	BOX COMPLETE EMERGENCY LIGHT
10	180720	1	EMERGENCY LIGHT



612 SCAGLIETTI - 64 - DOCUMENTATION AND ACCESSORIES

1	191571	1	DOCUMENT ENVELOPE
2	68351500	1	CAR PROTECTION KIT -Composed by bag, steering wheel cover, car cover and seat cover-
3	68321500	1	INSTRUCTION BOOK -Italian, english, spain-
3	68321600	1	INSTRUCTION BOOK -Italian, english, portuguese-
3	68321700	1	INSTRUCTION BOOK -Italian, french, german-
3	69151500	1	INSTRUCTION BOOK -Cina-
3	68322300	1	INSTRUCTION BOOK -Usa , Canada-
4	68322600	1	ORGANIZATION AND SALE BOOK
4	68322100	1	ARROZZERIA SCAGLIETTI MANUAL
4	68321800	1	FAST CUNSLTATION GUIDE -Italian, french, portuguese-
4	68321900	1	FAST CUNSLTATION GUIDE -English, german, spain-
4	67754500	1	DIRECT LINE BOOK -Not for USA and CDN-
5	68375000	1	SUITCASE SET -Black-
5	68375028	1	SUITCASE SET -Carta Z.110656-
5	68375029	1	SUITCASE SET -Leather-
6	70000911	1	KIT PRODUCTS FOR THE CURE OF THE CAR

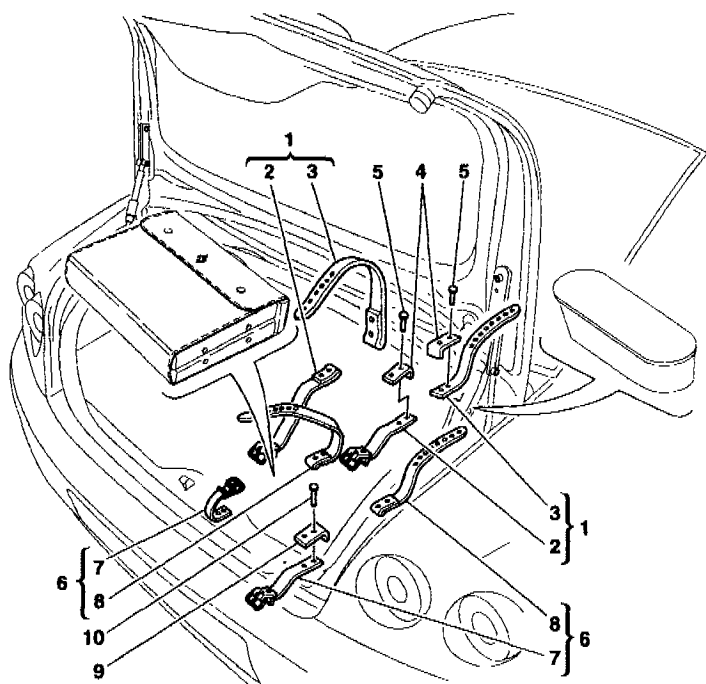
612 SCAGLIETTI - 65 - SPARE WHEEL AND ACCESSORIES -OPTIONAL-



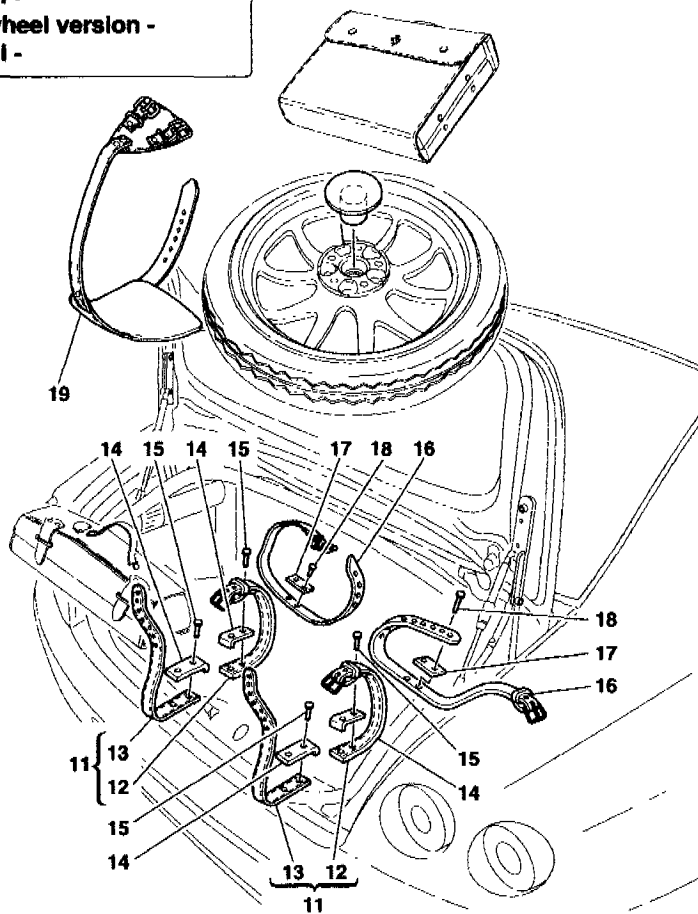
612 SCAGLIETTI - 65 - SPARE WHEEL AND ACCESSORIES -OPTIONAL-

*	179629	1	COMPLETE EMERGENCY TOOL KIT BAG
1	179630	1	EMPTY TOOL KIT BAG
2	-	1	TYRE GOOD-YEAR T115/70 R19 -Not supplied-
3	202209	1	SPARE WHEEL RIM 3.5JX19"
4	174258	1	VALVE -Not as spare part- -Replaced by 174166-
4	174166	1	VALVE
5	153815	1	ADHESIVE PLATE
6	65253100	1	ACCESSORIES ENVELOPE
7	65253200	1	SLEEVE
8	65253300	1	GLOVES
9	65253000	1	COMPLETE ACCESSORIES ENVELOPE
10	65252900	1	COVER FOR WHEEL
11	171489	1	JACK
12	171490	1	KEY
13	171491	1	SOCKET WRENCH 17/19
14	171492	1	SOCKET WRENCH FOR WHEEL SCREWS

- Versione senza ruota di scorta -
 - Without spare wheel version -



- Versione con ruota di scorta -
 - Optional -
 - Spare wheel version -
 - Optional -



612-SGAGLIETTI - 66 - SPARE WHEEL AND TOOL KIT BAG FIXINGS

1	67626400	2	BELT FOR CYLINDER -Valid for cylinder for tyre repair-
1	68963400	2	BELT FOR CYLINDER -Valid for tyre repair kit-
2	67629500	2	BELT WITH BUCKLE -Valid for cylinder for tyre repair-
2	68963500	2	BELT WITH BUCKLE -Valid for tyre repair kit-
3	67629600	2	BELT
4	65696100	4	SMALL PLATE
5	20296802	8	RIVET
6	67626500	2	BELT FOR TOOL BAG
7	67629700	2	BELT WITH BUCKLE
8	67629800	2	BELT
9	65696100	4	SMALL PLATE
10	20296802	8	RIVET
11	67626600	2	BELT FOR BAG
12	67629900	2	BELT WITH BUCKLE
13	67630000	2	BELT
14	65696100	4	SMALL PLATE
15	20296802	8	RIVET
16	67626800	2	BELT FOR SPARE WHEEL
17	65696100	2	SMALL PLATE
18	20296802	4	RIVET
19	67626700	1	BELT FOR TOOL BAG ON THE SPARE WHEEL

LEATHER COLOR CODES

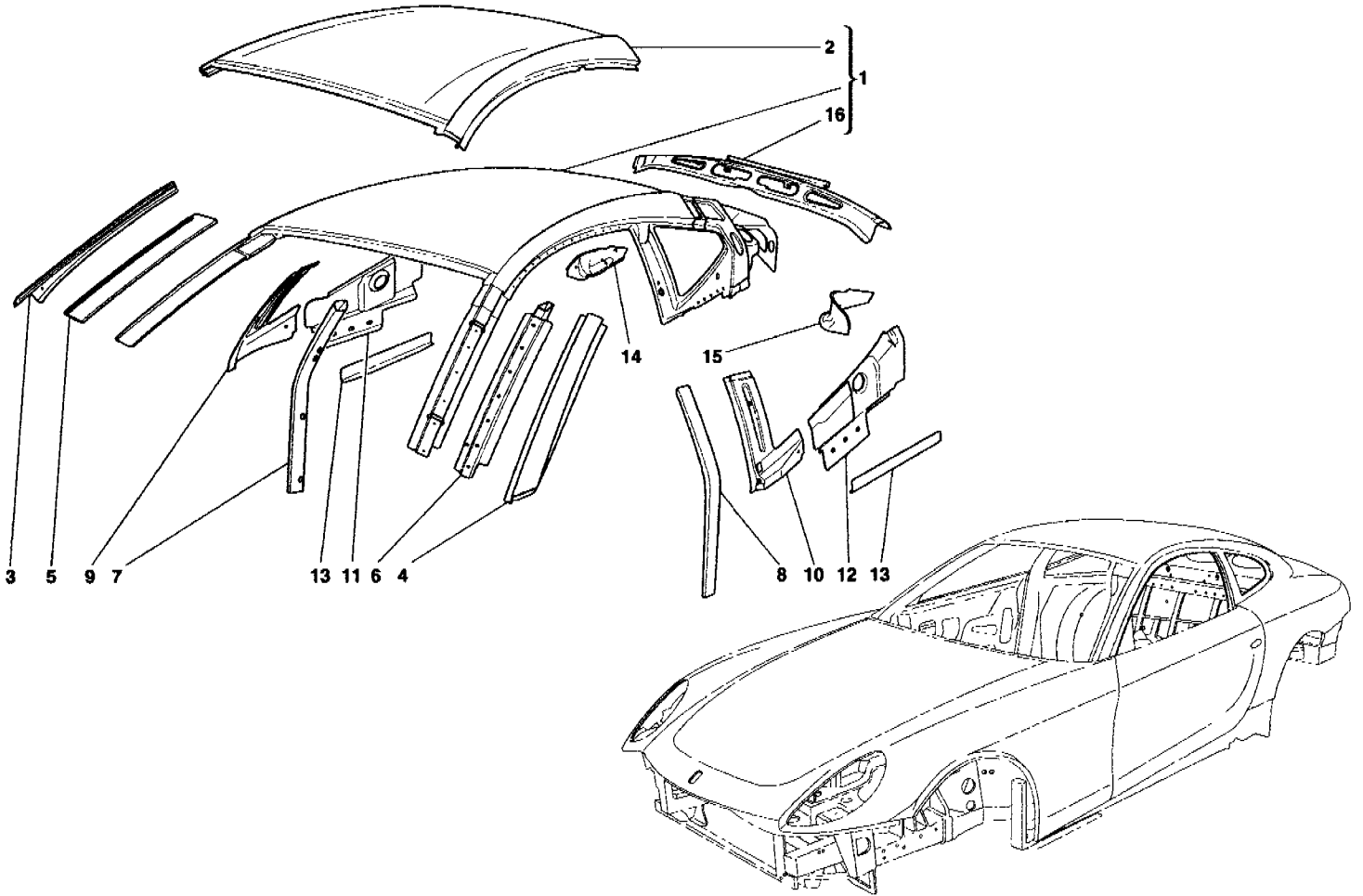
00 BLACK
05 BEIGE
04 CREAM
25 BORDEAUX
02 DARK BLUE
29 HIDE
19 CHARCOL
17 DARK GREY
27 SABBIA
28 CARTA DA ZUCCH
31 MED BLUE

CARPET COLOR CODES

82 NEW HIDE
83 NEW RED
84 DARK GREY
87 OTRANTO
90 BLACK
94 BLUE
96 BEAVER
98 BORDEAUX

PAINT COLOR CODES

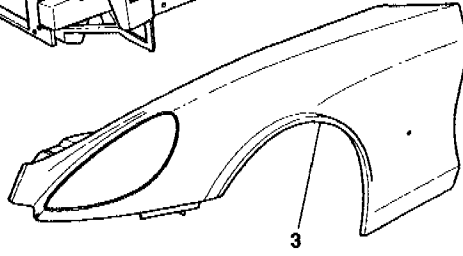
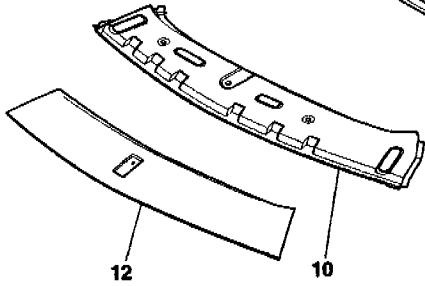
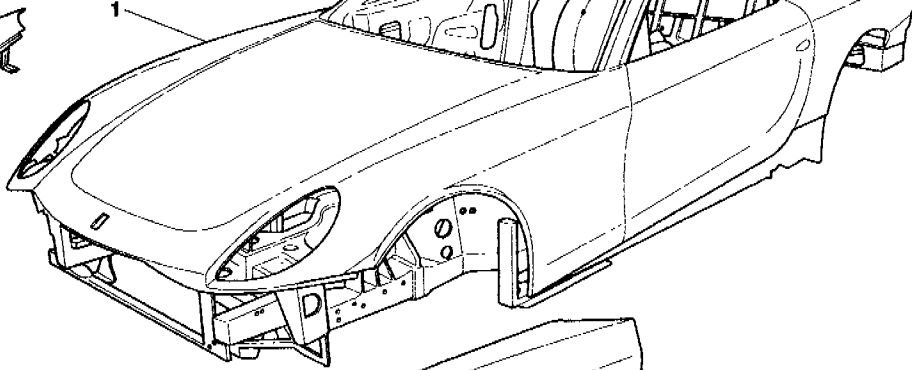
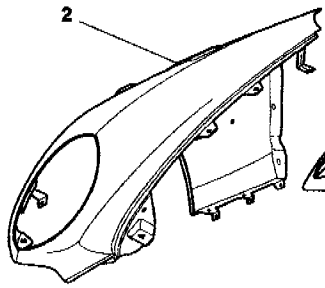
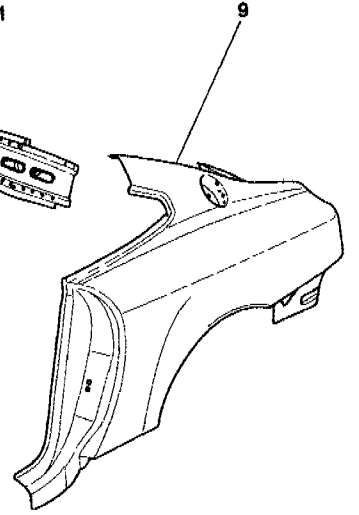
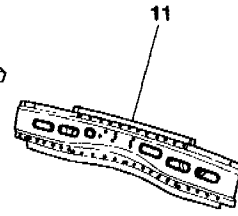
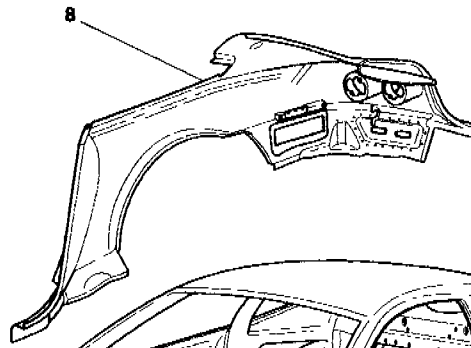
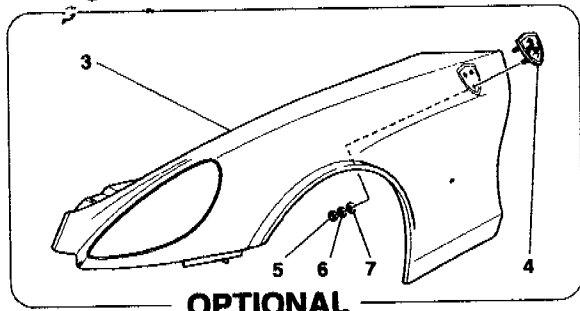
69 CORSA RED
70 MODENA YELLOW
71 BLACK
92 INGRID RED
72 TITANIUM GREY
90 NURBURGRING SILVER
94 AVUS WHITE
87 SCUDERIA RED
91 PONZI BLUE
95 TOUR DE FRANCE BLUE
79 NART BLEU
80 CALIFORNIA LIGHT BLUE
81 ZELTWEG GREEN
81 BRITISH RACING GREEN
86 DAYTONA BLACK
93 ALLOY GREY
88 MIRABEAU BLUE
89 MICALIZZATO RUBY
96 SILVERSTONE GREY



612 SCAGLIETTI - 101 - BODY - ROOF

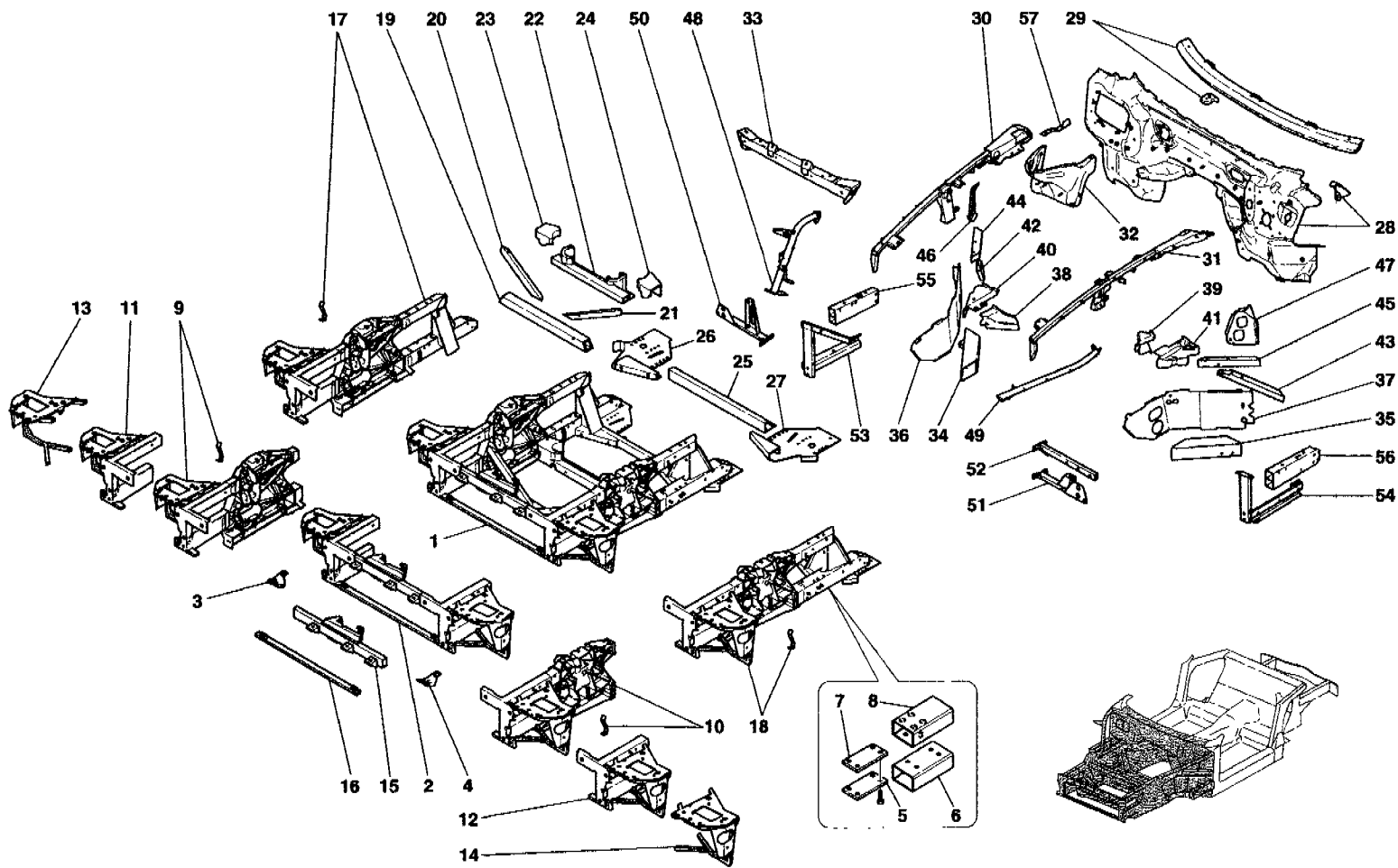
1	66994200	1	COMPLETE ROOF LINING
1	67927000	1	COMPLETE ROOF LINING -On line telephone- -Optional- -Valid till car Nr. 139579-
1	68306900	1	COMPLETE ROOF LINING -On line telephone- -Optional- -Valid from car Nr. 139580-
2	66863500	1	ROOF EXTERNAL TRIM
2	67926700	1	ROOF EXTERNAL TRIM -On line telephone- -Optional-
3	66863300	1	R.H. PILLAR SHIELD
4	66863400	1	L.H. PILLAR SHIELD
5	67092300	1	R.H. FRONT PILLAR
6	67092400	1	L.H. FRONT PILLAR
7	67438100	1	R.H. REINFORCEMENT
8	67438200	1	L.H. REINFORCEMENT
9	66861200	1	R.H. CENTRAL PILLAR
10	66861300	1	L.H. CENTRAL PILLAR
11	67847400	1	R.H. OUTER DIAPHRAGM
12	67847500	1	L.H. OUTER DIAPHRAGM
13	67096300	2	REAR CARPET SHIELD
14	67081300	1	R.H. REAR ANGLE
15	66998200	1	UNION SHIELD
16	66858800	1	TAIL REAR WINDOW CROSSPIECE

612 SCAGLIETTI - 100 - BODY - OUTER TRIMS



612 SCAGLIETTI - 100 - BODY - OUTER TRIMS

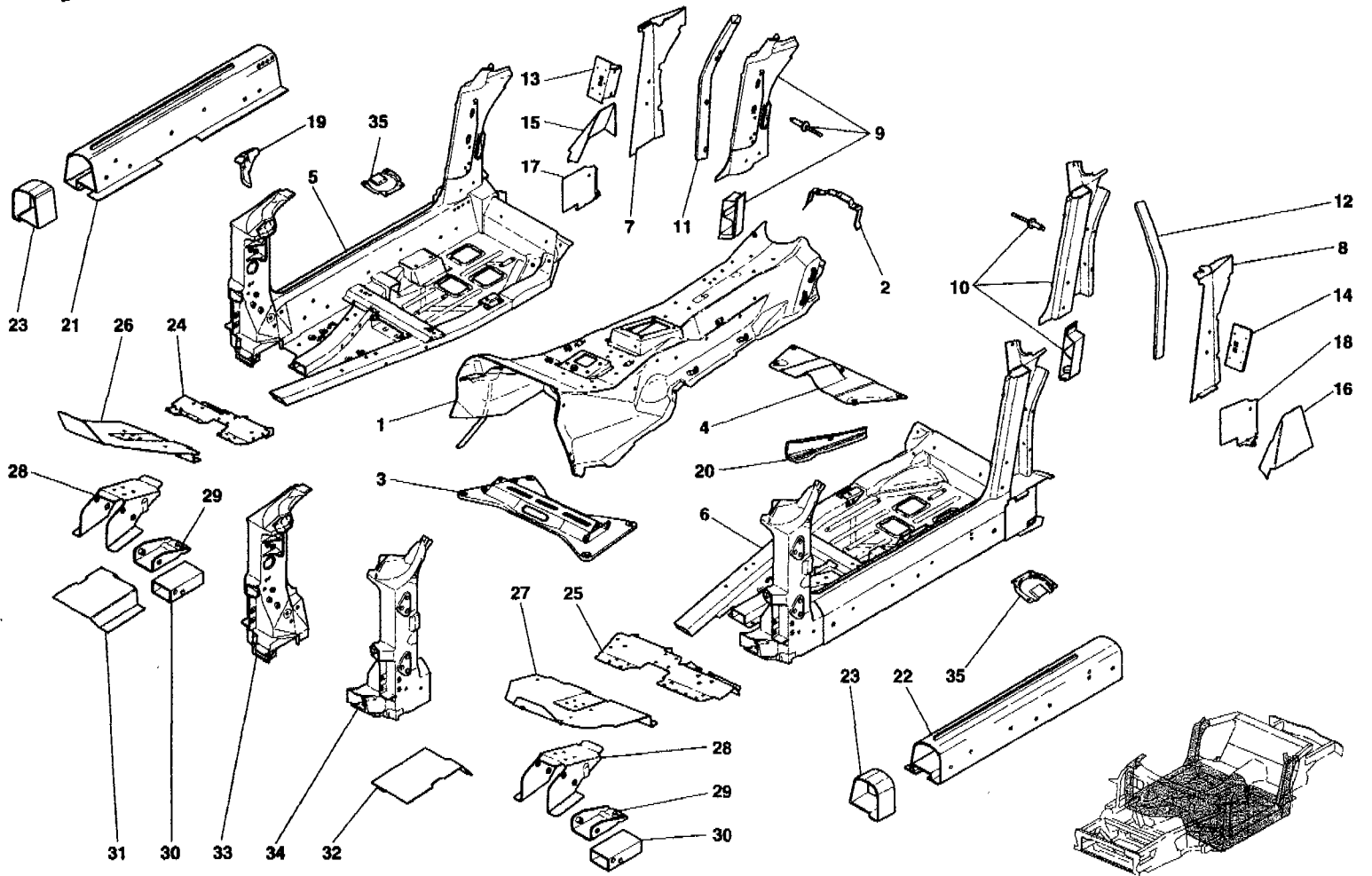
1	-	1	COMPLETE BODYWORK -Only as specific request by fax or e-m@il, specifying car serial number-
2	66993000	1	COMPLETE R.H. FRONT FENDER -Not for version with ornament plate-
2	67618600	1	COMPLETE R.H. FRONT FENDER -Valid for version with ornament plate-
3	66993100	1	-Optional- COMPLETE L.H. FRONT FENDER -Not for version with ornament plate-
3	67618700	1	COMPLETE L.H. FRONT FENDER -Valid for version with ornament plate-
4	67617600	2	-Optional- FRONT FENDER ORNAMENT
5	16101711	6	-Optional- NUT
6	12034470	6	-Optional- WASHER
7	12642878	6	-Optional- WASHER
8	66993200	1	-Optional- COMPLETE R.H. REAR FENDER
9	66993300	1	COMPLETE L.H. REAR FENDER
10	66860200	1	FRONT CROSS MEMBER
11	66994300	1	REAR CROSS MEMBER
12	66859900	1	FRONT CENTRAL LINING



612 SCAGLIETTI - 102 - FRONT STRUCTURES AND COMPONENTS

1	213714	1	COMPLETE FRONT MODOLE
2	213715	1	COMPLETE FRONT FRAME
3	187336	1	R.H. BRACKET
4	187335	1	L.H. BRACKET
5	208231	2	LOWER PLATE
6	208233	2	LOWER PIN
7	208230	2	UPPER PLATE
8	208232	2	UPPER PIN
9	213716	1	R.H. LATERAL FRONT SPRAG
10	213717	1	L.H. LATERAL FRONT SPRAG
11	213724	1	R.H. LATERAL FRONT SEMI-SPRAG
12	213725	1	L.H. LATERAL FRONT SEMI-SPRAG
13	66991700	1	R.H. FRONT FRAME SHIELD
14	66991800	1	L.H. FRONT FRAME SHIELD
15	213726	1	UPPER CROSS MEMBER
16	6187251	1	LOWER CROSS MEMBER
17	213727	1	COMPLETE R.H. FRONT SIDEWALL
18	213728	1	COMPLETE L.H. FRONT SIDEWALL
19	187254	1	LOWER FRONT SUSPENSIONS CROSS MEMBER
20	187393	1	R.H. FRONT BRACE
21	187392	1	L.H. FRONT BRACE
22	196206	1	MOTOR CROSS MEMBER
23	187266	1	R.H. SUPPORT ENGINE
24	187265	1	L.H. SUPPORT ENGINE
25	187267	1	TORQUE BOX CONNECTION
26	187340	1	R.H. REINFORCEMENT
27	187339	1	L.H. REINFORCEMENT
28	213730	1	COMPLETE FRONT SHIELD
			-Not for GD-
28	213735	1	COMPLETE FRONT SHIELD
			-Valid for GD-
29	213731	1	COMPLETE UNDER WINDSCREEN CROSS MEMBER
			-Not for GD-
29	213736	1	COMPLETE UNDER WINDSCREEN CROSS MEMBER
			-Valid for GD-
30	66992100	1	R.H. UPPER FRAME
			-Not for GD-
30	67843900	1	R.H. UPPER FRAME
			-Valid for GD-
31	66992200	1	L.H. UPPER FRAME
32	67182700	1	AIR INTAKE PAN
			-Not for GD-
			-Valid till car Nr.138039-
32	68125500	1	AIR INTAKE PAN
			-Not for GD-
			-Valid from car Nr.138040-
32	67844300	1	AIR INTAKE PAN
			-Valid for GD-
33	187860	1	SUSPENSIONS CROSS MEMBER
34	196726	1	R.H. OUTER FRONT TORQUE BOX
35	187315	1	L.H. OUTER FRONT TORQUE BOX
36	187330	1	R.H. SEAL
			-Not for GD-
36	209427	1	R.H. SEAL
			-Valid for GD-
37	187329	1	L.H. SEAL
38	187282	1	R.H. SPRAG CONNECTION
39	187281	1	L.H. SPRAG CONNECTION
40	192807	1	R.H. OUTER REINFORCEMENT
41	192806	1	L.H. OUTER REINFORCEMENT
42	188100	1	R.H. CONNECTION
43	188099	1	L.H. CONNECTION
44	187269	1	R.H. UPPER FRONT DIAGONAL
45	187268	1	L.H. UPPER FRONT DIAGONAL
46	187350	1	R.H. SIDE PANEL
47	187349	1	L.H. SIDE PANEL

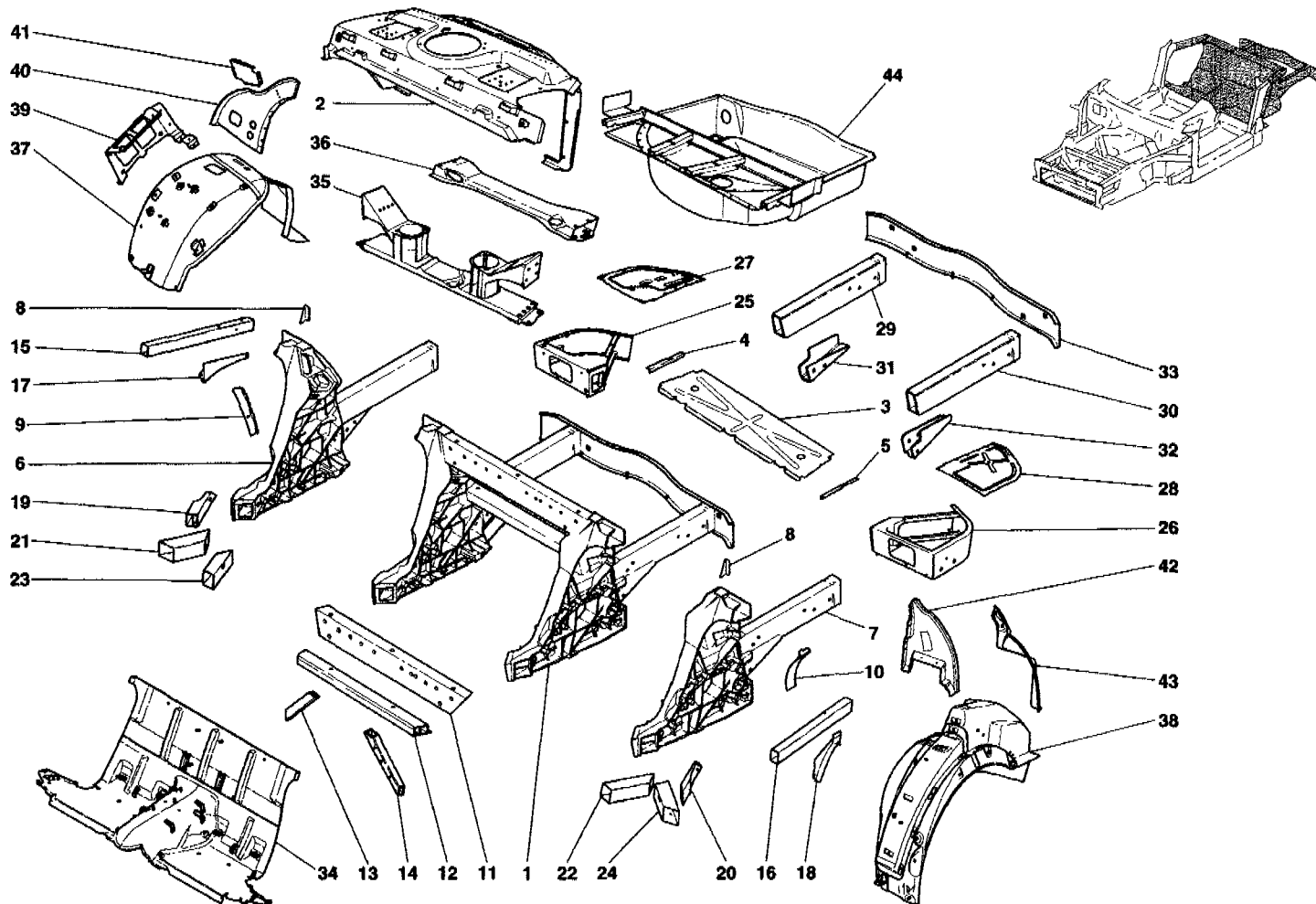
48	196227	1	R.H. DIAGONAL
49	196226	1	L.H. DIAGONAL
50	67180200	1	R.H. LOWER TRANSVERSE PIPE
51	67180300	1	L.H. LOWER TRANSVERSE PIPE
52	67930200	1	L.H. UPPER TRANSVERSE PIPE
53	66991900	1	R.H. REAR FRAME
			-Not for GD-
53	68129000	1	R.H. REAR FRAME
			-Valid for GD-
54	66992000	1	L.H. REAR FRAME
55	199441	1	R.H. SPRAG
56	187374	1	L.H. SPRAG
57	67438100	1	REINFORCEMENT



612 SCAGLIETTI - 103 - CENTRAL STRUCTURES AND COMPONENTS

1	213753	1	TUNNEL
2	196343	1	BRACKET
3	199021	1	UNDER EXHAUSTS PLATE
4	187276	1	STRUCTURE CONNECTION PLATE
5	187857	1	R.H. CENTRAL SIDEWALL
6	197205	1	L.H. CENTRAL SIDEWALL
7	187320	1	R.H. CROSSMEMBER BRACKET
8	187319	1	L.H. CROSSMEMBER BRACKET
9	213747	1	R.H. CROSSMEMBER BRACKET WITH REINFORCEMENT
10	213748	1	L.H. CROSSMEMBER BRACKET WITH REINFORCEMENT
11	67438100	1	R.H. REINFORCEMENT
12	67438200	1	L.H. REINFORCEMENT
13	67162600	1	R.H. STRIKER REINFORCEMENT
14	67164300	1	L.H. STRIKER REINFORCEMENT
15	200208	1	R.H. OUTER REINFORCEMENT
16	199925	1	L.H. OUTER REINFORCEMENT
17	66996800	1	FIXING R.H.PLATE
18	66996900	1	FIXING L.H.PLATE
19	67157700	1	R.H. LATERAL SEAL
20	67157800	1	L.H. LATERAL SEAL
21	187284	1	R.H. CROSSMEMBER
22	187283	1	L.H. CROSSMEMBER
23	209301	2	CORE FOR REPAIR
24	204447	1	R.H. REINFORCEMENT
25	204443	1	L.H. REINFORCEMENT
26	205069	1	R.H. FRONT SHIELD
27	186750	1	L.H. FRONT SHIELD
28	187287	2	FRONT COUPLING
29	192814	2	BRACKET
30	192815	2	FOLDED INSERT
31	187338	1	R.H. SIDE RAIL COUPLING
32	187337	1	L.H. SIDE RAIL COUPLING
33	213755	1	COMPLETE R.H. FRONT DOOR PILLAR
34	213756	1	COMPLETE L.H. FRONT DOOR PILLAR
35	67925900	2	BRACKET

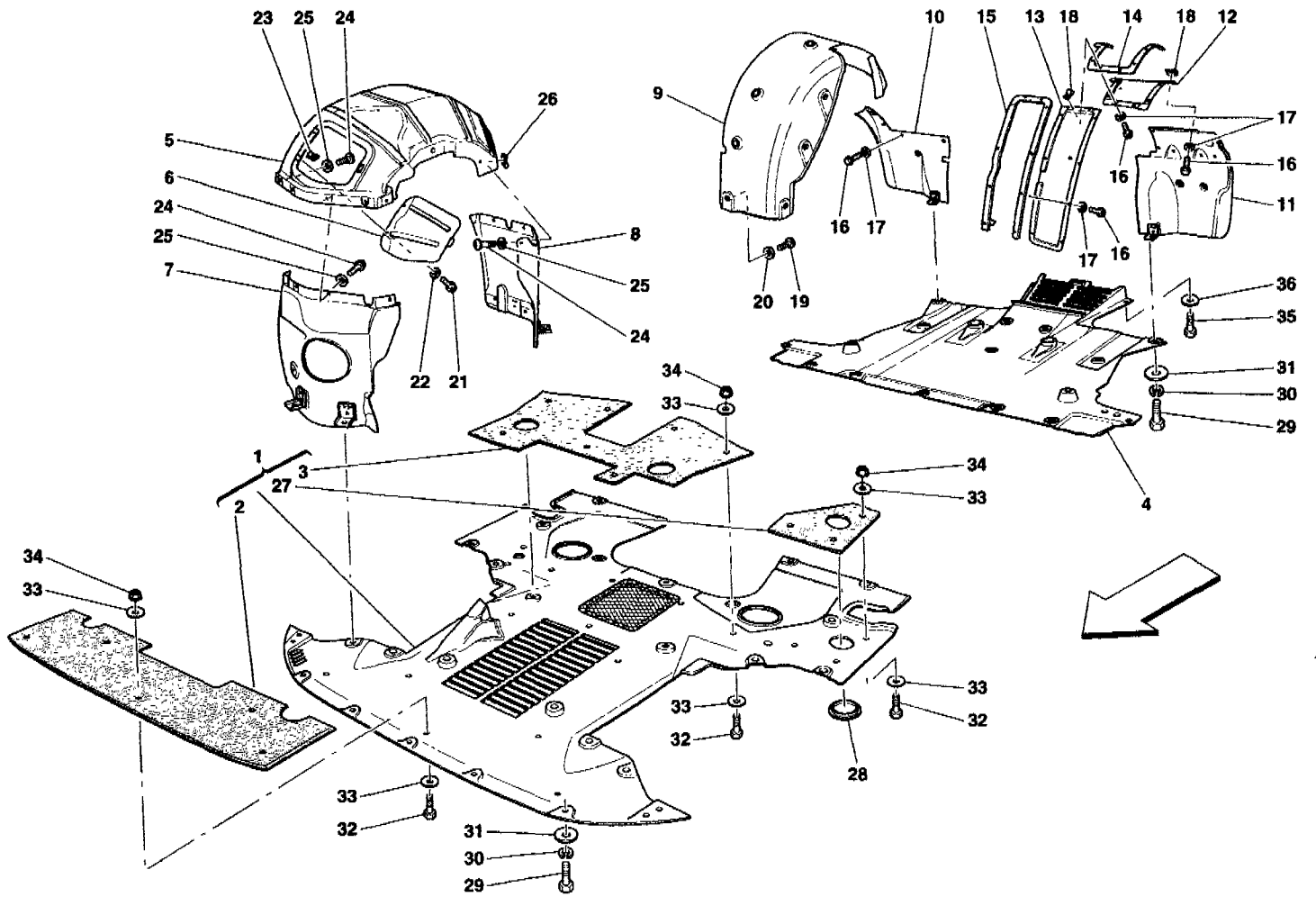
612 SCAGLIETTI - 104 - REAR STRUCTURES AND COMPONENTS



612 SCAGLIETTI - 104 - REAR STRUCTURES AND COMPONENTS

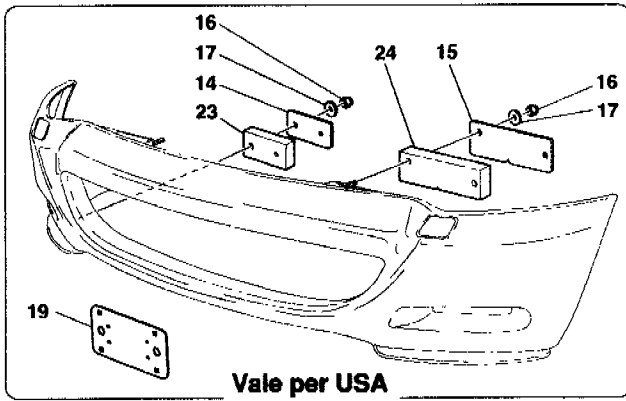
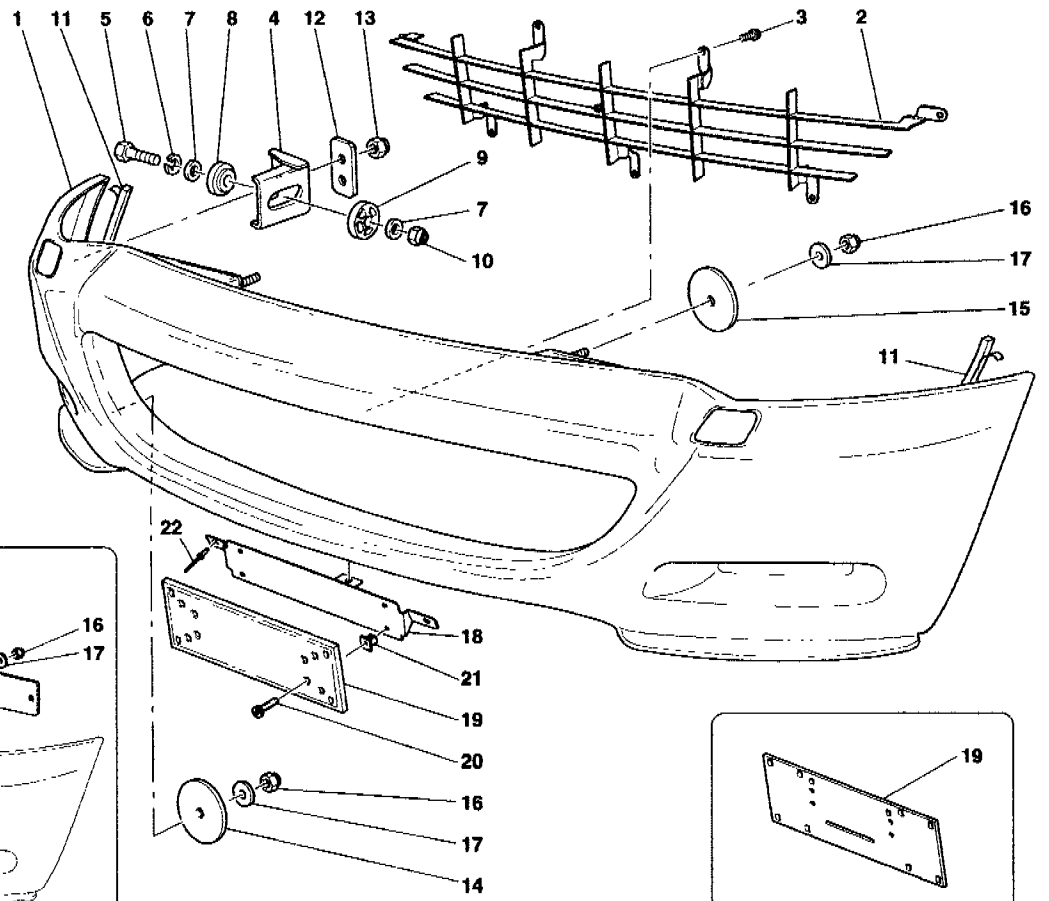
1	197204	1	REAR MODULE
2	66994000	1	REAR WINDOW PANEL
3	195882	1	FUEL TANK COMPARTMENT SEAL
4	67330000	1	R.H. ANGLE PIECE
5	67330100	1	L.H. ANGLE PIECE
6	213758	1	R.H. REAR LATERAL MODULE
7	213759	1	L.H. REAR LATERAL MODULE
8	67932400	2	BAFFLE FOR REAR UNDER WINDOW PANEL
9	67167700	1	R.H. BRACKET
10	67167800	1	L.H. BRACKET
11	187309	1	CROSS MEMBER
12	187312	1	CROSS MEMBER CONNECTION FUSIONS
13	189652	1	R.H. ARM
14	189651	1	L.H. ARM
15	187305	1	R.H. UPPER DIAGONAL
16	187304	1	L.H. UPPER DIAGONAL
17	67172900	1	R.H. INSERT
18	67173000	1	L.H. INSERT
19	195808	1	R.H. BRACKET FOR SAFETY BELT
20	195807	1	L.H. BRACKET FOR SAFETY BELT
21	187292	1	R.H. LOWER DIAGONAL
22	187291	1	L.H. LOWER DIAGONAL
23	187280	1	R.H. INNER REAR TORQUE BOX
24	187279	1	L.H. INNER REAR TORQUE BOX
25	66992300	1	R.H. REAR FRAME
26	66992400	1	L.H. REAR FRAME
27	67149900	1	R.H. LATERAL PAVEMENT
28	67150000	1	L.H. LATERAL PAVEMENT
29	187300	1	R.H. SPRAG
30	187299	1	L.H. SPRAG
31	187303	1	R.H. REINFORCEMENT
32	187302	1	L.H. REINFORCEMENT
33	187301	1	REAR CROSS MEMBER
34	8189263	1	COMPLETE BENCH
35	189265	1	GEARBOX FRAME
36	200197	1	REAR CROSS MEMBER
37	66989000	1	R.H. REAR WHEELHOUSE
38	66989100	1	L.H. REAR WHEELHOUSE
			-Not for F1-
38	67446100	1	L.H. REAR WHEELHOUSE
			-Valid for F1-
39	67440100	1	AMPLIFIER SUPPORTING BRACKET
40	67182900	1	R.H. REAR LATERAL PANEL
41	67921700	1	R.H. SEAL
42	67183100	1	L.H. REAR LATERAL FRONT PANEL
43	67183000	1	L.H. REAR LATERAL PANEL
44	68810400	1	COMPLETE SPARE WHEEL STEP

612 SCAGLIETTI - 105 - FLAT FLOOR PAN AND WHEELHOUSES

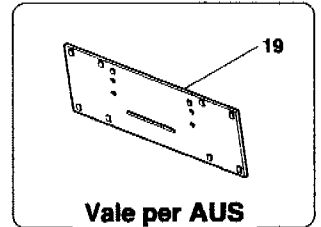


612 SCAGLIETTI - 105 - FLAT FLOOR PAN AND WHEELHOUSES

1	66955300	1	FRONT AEREODYNAMIC BOTTOM
2	68031700	1	FRONT INSULATION
3	68031800	1	REAR INSULATION
4	66955500	1	REAR AEREODYNAMIC BOTTOM
5	66790700	1	R.H. FRONT WHEELHOUSE
5	66997000	1	L.H. FRONT WHEELHOUSE
6	67328400	1	R.H. WHEELHOUSE DOOR
6	67328500	1	L.H. WHEELHOUSE DOOR
7	66850000	1	FRONT GRAVEL GUARD FOR R.H. FRONT WHEELHOUSE
7	66850100	1	FRONT GRAVEL GUARD FOR L.H. FRONT WHEELHOUSE
8	66850300	1	REAR GRAVEL GUARD FOR R.H. FRONT WHEELHOUSE
8	66850400	1	REAR GRAVEL GUARD FOR L.H. FRONT WHEELHOUSE
9	67927300	1	R.H. COMPARTMENT FRAME SHIELD
9	67927400	1	L.H. COMPARTMENT FRAME SHIELD
10	67186600	1	R.H. REAR PANEL FOR REAR WHEELHOUSE
11	67186700	1	L.H. REAR PANEL FOR REAR WHEELHOUSE
12	66988900	1	CENTRAL INSERT FOR WHEELHOUSE
13	66988800	1	L.H. FRONT INSERT FOR REAR WHEELHOUSE
14	67928300	1	GASKET
15	67928200	1	FRONT GASKET
16	16285127	30	SCREW
17	12643778	30	WASHER
18	66927700	4	FIXING BRACKET
19	13274077	23	SCREW
20	12624178	23	WASHER
21	16285127	4	SCREW
22	12644477	4	WASHER
23	66927700	4	FIXING BRACKET
24	13276477	28	SCREW
25	12643778	28	WASHER
26	62766300	2	CLIP
27	68129700	1	LATERAL INSULATION
28	64783600	1	PLUG
29	10902624	44	SCREW
30	127494	44	WASHER
31	12641378	44	WASHER
32	10902224	15	SCREW
33	12640677	30	WASHER
34	14058411	15	NUT
35	64830600	3	SCREW
36	12640677	36	WASHER



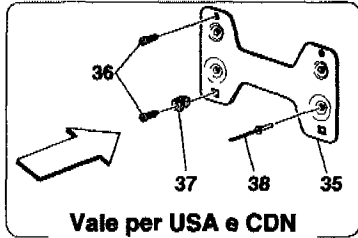
Vale per USA
Valid for USA



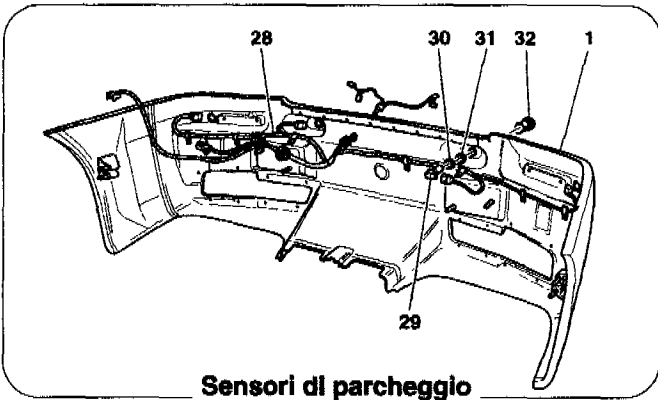
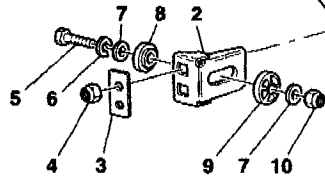
Vale per AUS
Valid for AUS

612 SCAGLIETTI - 106 - FRONT BUMPER

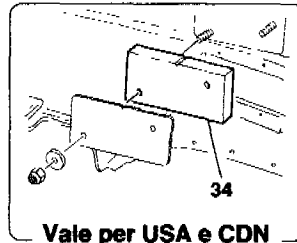
1	67005810	1	FRONT BUMPER -Not for USA and CDN-
1	67008710	1	FRONT BUMPER -Valid for USA and CDN-
2	67008500	1	FRONT GRILL
3	16285127	7	SCREW
4	62126500	2	BUMPER LATERAL FIXING BRACKET
5	11307021	2	SCREW
6	127497	2	WASHER
7	12646801	4	WASHER
8	62128200	2	EXTERNAL SMALL BLOCK
9	62128300	2	INTERNAL SMALL BLOCK
10	12574521	2	NUT
11	67610500	2	RUBBER PROFILE
12	62126600	2	PLATE
13	104030	4	NUT
14	68113100	8	LOWER SPACER -Not for USA and CDN-
14	68113200	4	LOWER SPACER -Possible fitting- -Not for USA and CDN-
14	67007800	4	LOWER SPACER -Valid for USA and CDN-
14	67610200	2	LOWER SPACER -Possible fitting- -Valid for USA and CDN-
14	68314200	2	SPACER -Valid for CDN-
15	68112900	8	UPPER SPACER -Not for USA and CDN-
15	68113000	4	UPPER SPACER -Possible fitting- -Not for USA and CDN-
15	67007600	4	UPPER SPACER -Valid for USA and CDN-
15	67610100	2	UPPER SPACER -Possible fitting- -Valid for USA and CDN-
16	104114	6	NUT
17	12644301	6	WASHER
18	68299800	1	BRACKET
19	63736400	1	FRONT PLATE FRAME -Not for USA,CDN,AUS,J and D-
19	63736300	1	FRONT PLATE FRAME -Valid for D-
19	65271400	1	FRONT PLATE FRAME -Valid for USA-
19	65272100	1	FRONT PLATE FRAME -Valid for COREA e J-
19	68304700	1	FRONT PLATE FRAME -Valid for AUS-
20	15687275	4	SCREW
21	14201980	4	BLOCK
22	14296196	3	RIVET
23	67080900	2	LOWER PAD -Valid for USA-
24	67080800	2	UPPER PAD -Valid for USA-



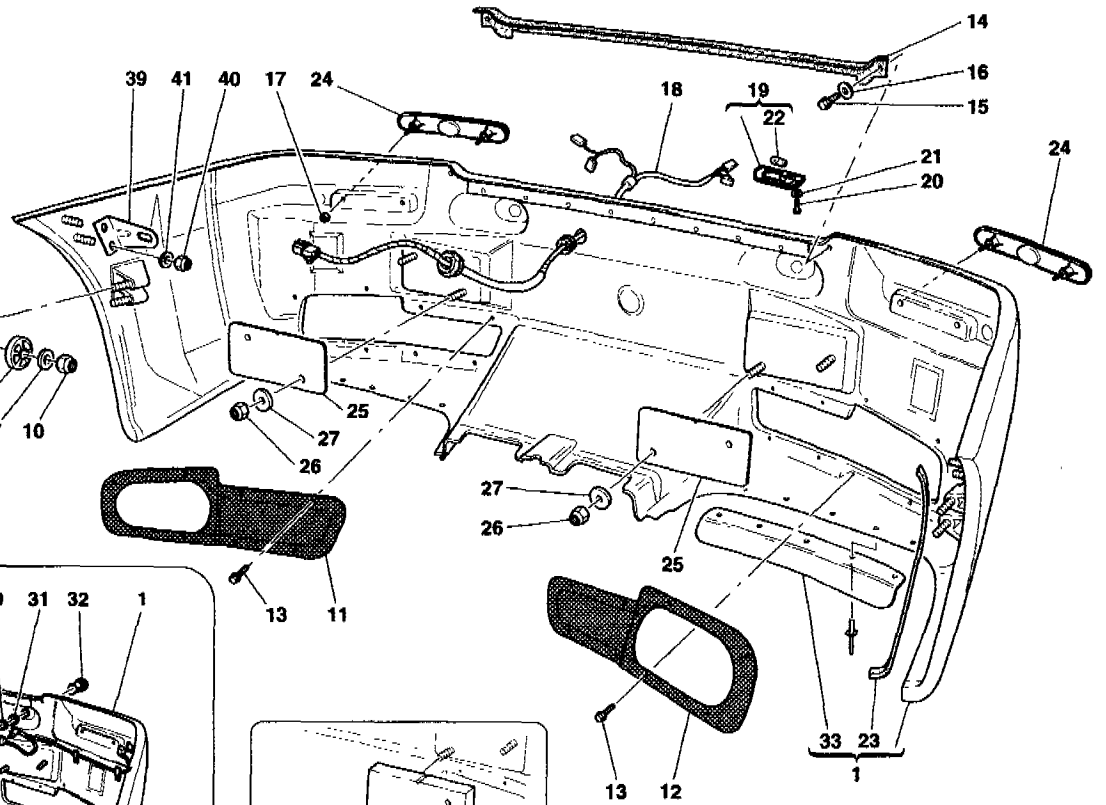
Vale per USA e CDN
Valid for USA and CDN



Sensori di parcheggio
Parking sensors



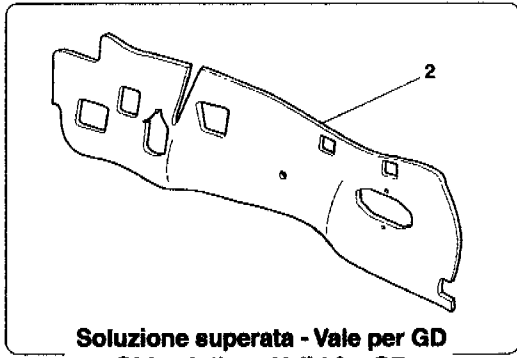
Vale per USA e CDN
Valid for USA and CDN



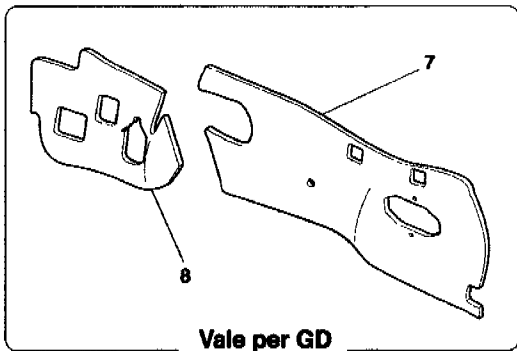
.612 SCAGLIETTI - 107 - REAR BUMPER

1	67090010	1	REAR BUMPER -Not for USA and CDN-
1	67610710	1	REAR BUMPER -Parking sensors- -Optional- -Not for USA and CDN-
1	67146310	1	REAR BUMPER -Valid for USA-
1	68312610	1	REAR BUMPER -Valid for cdn-
1	67610910	1	REAR BUMPER -Parking sensors- -Optional- -Valid for USA-
1	68314510	1	REAR BUMPER -Parking sensors- -Optional- -Valid for CDN-
2	62126500	2	BUMPER LATERAL FIXING BRACKET
3	62126600	2	PLATE
4	104030	4	NUT
5	11307021	2	SCREW
6	12644301	2	WASHER
7	12646801	4	WASHER
8	62128200	2	EXTERNAL SMALL BLOCK
9	62128300	2	INTERNAL SMALL BLOCK
10	12574521	2	NUT
11	67091200	1	R.H. REAR GRILL
12	67091300	1	L.H. REAR GRILL
13	13274077	16	SCREW
14	67090700	1	GASKET
15	16285127	2	SCREW
16	12638177	2	WASHER
17	10718011	4	NUT
18	192553	1	CABLES FOR NUMBER PLATE LIGHTS -Not for USA and CDN-
18	193985	1	CABLES FOR NUMBER PLATE LIGHTS -Valid for USA and CDN-
18	193984	1	CABLES FOR NUMBER PLATE LIGHTS -With parking sensor- -Optional- -Not for USA and CDN-
18	193986	1	CABLES FOR NUMBER PLATE LIGHTS -With parking sensor- -Optional- -Valid for USA and CDN-
19	186180	2	NUMBER PLATE LIGHT
20	15687375	4	SCREW
21	14496277	4	WASHER
22	10857790	2	BULB
23	67935600	2	GASKET
24	67091000	2	CATADIOPTRIC
25	68113300	8	SPACER
25	68113400	4	SPACER -Possible fitting-
26	104114	4	NUT
27	12644301	4	WASHER -Not as spare part- -Replaced by 12644364-
27	12644364	4	WASHER
28	193984	1	BUMPER CABLE WITH PARKING SENSOR -Parking sensors- -Optional-

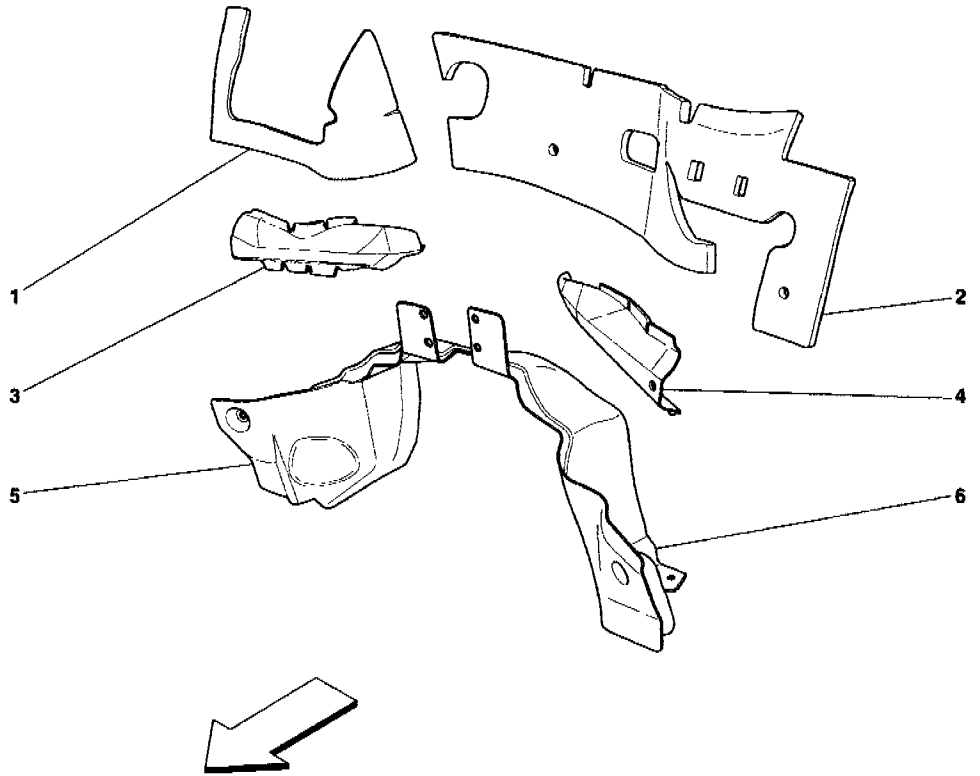
29	191532	4	PARKING SENSOR -Parking sensors- -Optional-
30	187677	4	RING NUT -Parking sensors- -Optional-
31	187678	4	SPACER -Parking sensors- -Optional-
32	187680	2	INNER SLEEVE -Parking sensors- -Optional-
32	187679	2	OUTER SLEEVE -Parking sensors- -Optional-
33	68302000	2	CHANGE-OVER SWITCH
34	67161000	2	PAD -Valid for USA and CDN-
35	65886300	1	REAR PLATE FRAME -Valid for USA and CDN-
35	67127400	1	REAR PLATE FRAME -Valid for COREA and J-
36	16084370	4	SCREW -Valid for USA e CDN-
37	14201980	2	BLOCK -Valid for USA and CDN-
38	14295696	4	RIVET -Valid for USA and CDN-
39	68114700	2	BRACKET
40	14059214	4	NUT
41	12620474	4	WASHER



Soluzione superata - Vale per GD
Old solution - Valid for GD



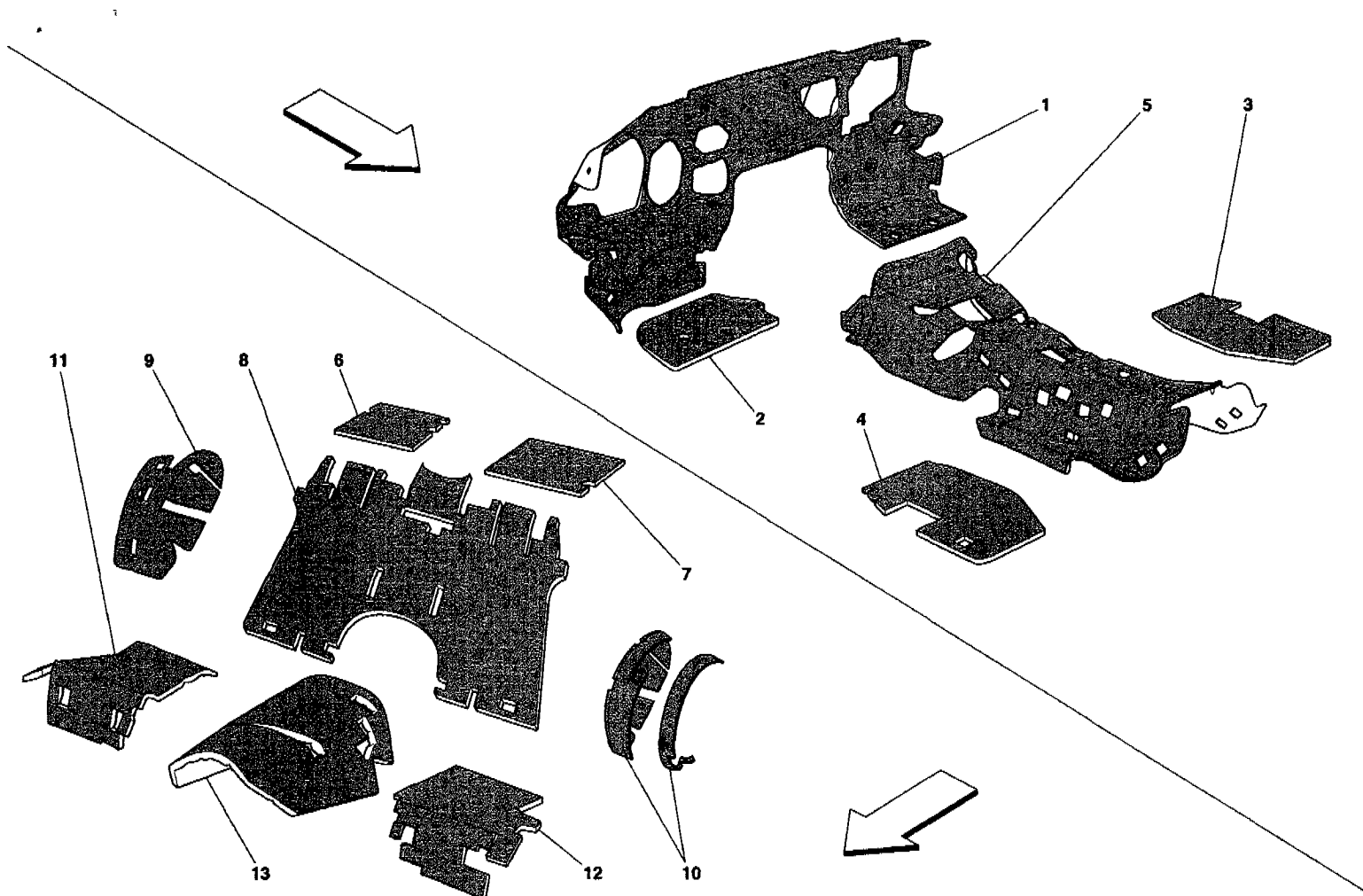
Vale per GD
Valid for GD



612 SCAGLIETTI - 108 - ENGINE COMPARTMENT FIRE-PROOF INSULATIONS

1	67789300	1	R.H. UPPER INSULATION FOR FIREPROOF -Not for GD-
1	67848000	1	L.H. UPPER INSULATION FOR FIREPROOF -Valid for GD-
2	66963400	1	L.H. UPPER INSULATION FOR FIREPROOF -Not for GD-
2	67848100	1	R.H. UPPER INSULATION FOR FIREPROOF -Valid for GD- -Valid till stock exhaustion- -After stock exhaustion replaces with 68312500 Ref. 7 + 68312400 Ref. 8-
3	66963500	1	R.H. HEAT SHIELD
4	66963600	1	L.H. HEAT SHIELD
5	66963700	1	R.H. HEAT SHIELD FOR FIREPROOF
6	66963800	1	L.H. HEAT SHIELD FOR FIREPROOF
7	68312500	1	R.H. UPPER INSULATION FOR CENTRAL FIREPROOF -Valid for GD- -Valid after stock exhaustion of 67848100 Ref. 2-
8	68312400	1	R.H. UPPER INSULATION FOR LATERAL FIREPROOF -Valid for GD- -Valid after stock exhaustion of 67848100 Ref. 2-

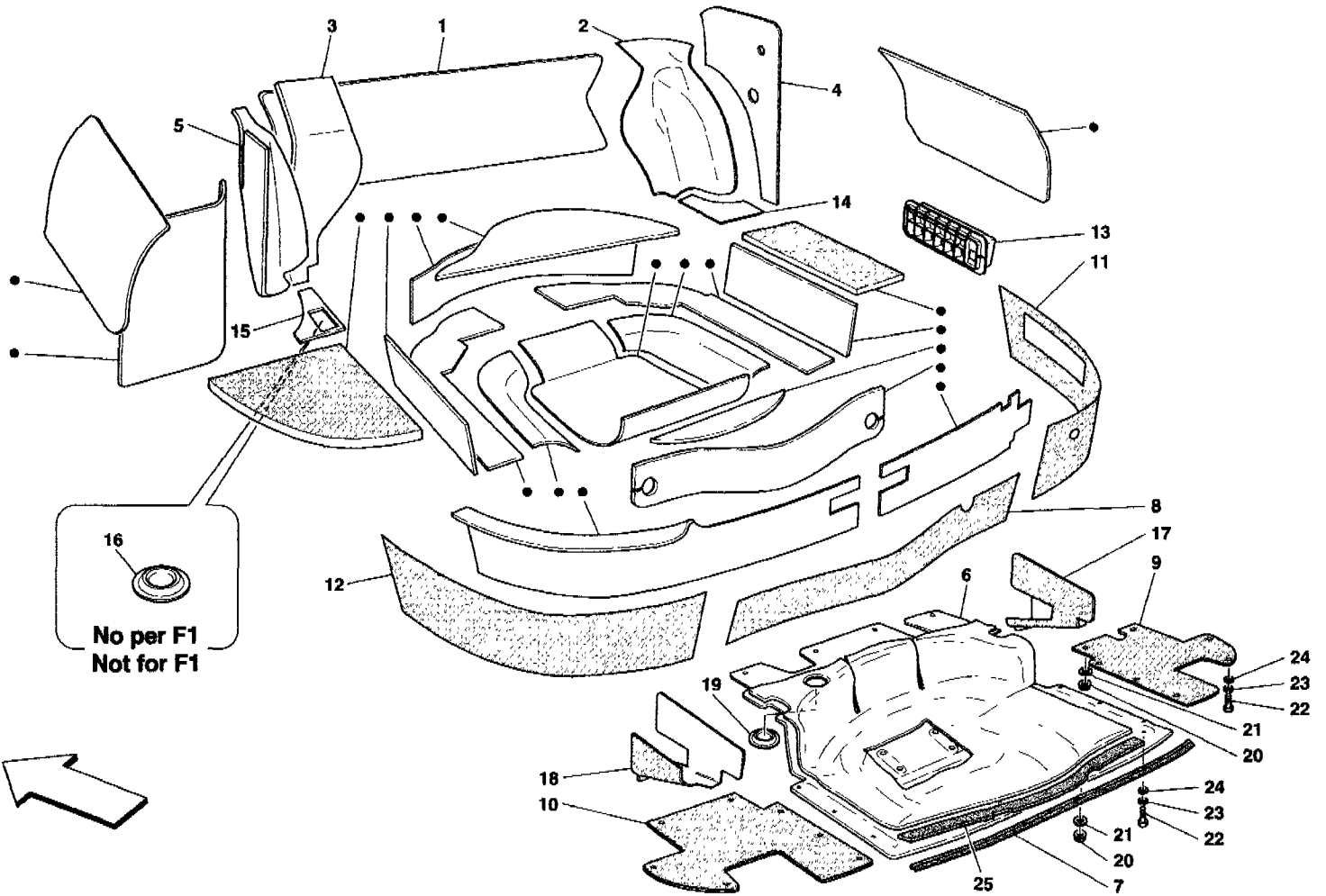
612 SCAGLIETTI - 109 - PASSENGERS COMPARTMENT INSULATIONS



612 SCAGLIETTI - 109 - PASSENGERS COMPARTMENT INSULATIONS

1	67155400	1	FIREPROOF INSULATION -Not for GD-
1	67847800	1	FIREPROOF INSULATION -Valid for GD-
2	67794500	1	PLATFORM L.H. FRONT INSULATION -Not for GD-
2	68101000	1	PLATFORM L.H. FRONT INSULATION -Valid for GD-
3	67156400	1	PLATFORM R.H. REAR INSULATION
4	67156500	1	PLATFORM L.H. REAR INSULATION
5	67156600	1	FRONT TUNNEL INSULATION
6	67156800	1	UNDER REAR WINDOW R.H. INSULATION
7	67156900	1	UNDER REAR WINDOW L.H. INSULATION
8	67157000	1	INSULATION FOR BACK SEAT
9	67851800	1	SILENCER FOR R.H. REAR WHEELHOUSE
10	67851900	1	SILENCER FOR L.H. REAR WHEELHOUSE
11	67157100	1	R.H. REAR SEAT INSULATION
12	67157200	1	L.H. REAR SEAT INSULATION
13	67156700	1	REAR TUNNEL INSULATION

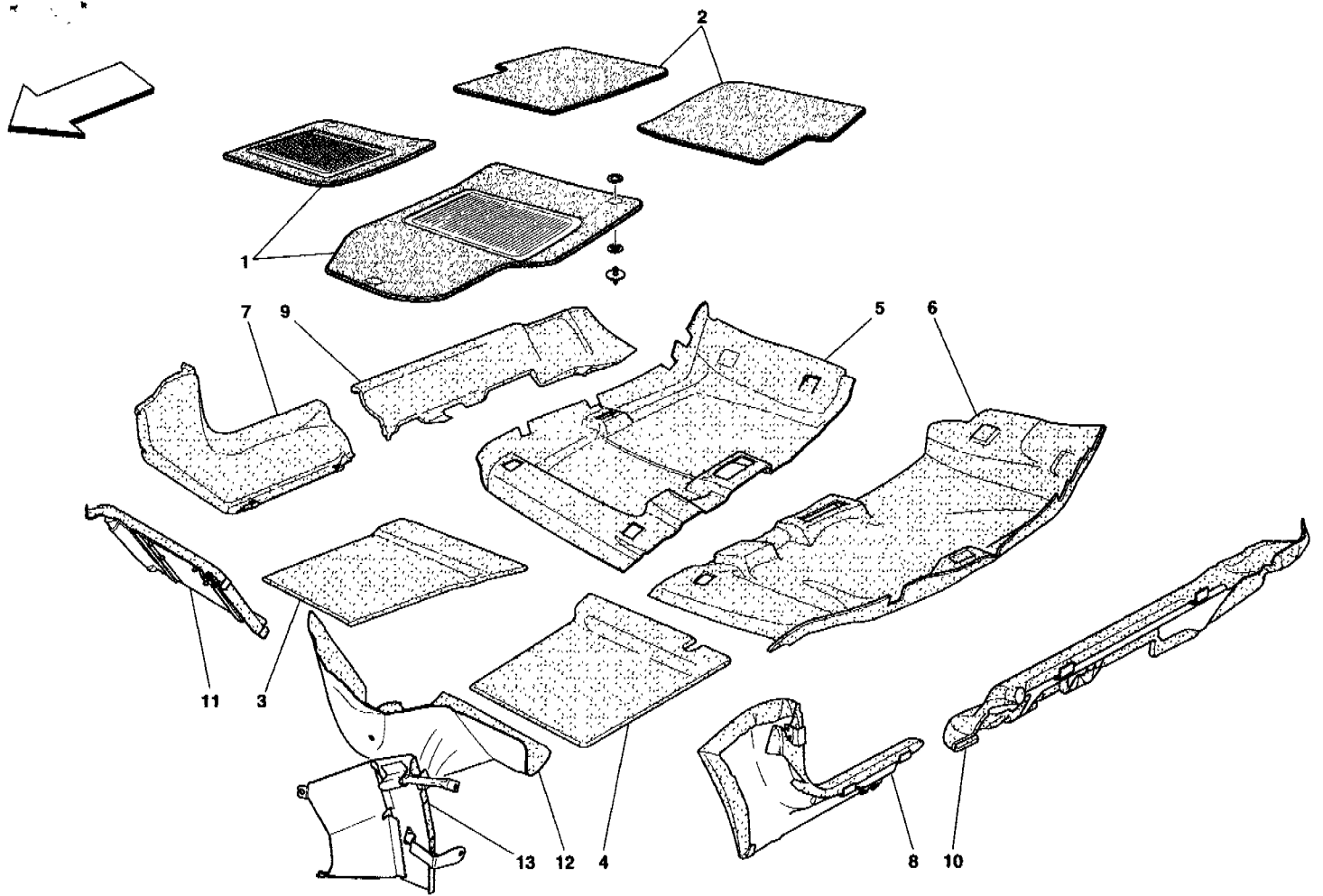
612 SCAGLIETTI - 110 - BOOT INSULATION



612 SCAGLIETTI - 110 - BOOT INSULATION

*	66967800	1	INSULATIONS SERIES FOR TRUNK COMPARTMENT
1	66965400	1	TANK COMPARTMENT INSULATION
2	66965900	1	R.H. INSULATION
3	66966000	1	L.H. INSULATION
4	66965100	1	R.H. INSULATION ON WHEELHOUSE
5	66965200	1	L.H. INSULATION ON WHEELHOUSE
6	66964300	1	SPARE WHEEL HEAT SHIELD
7	66968000	1	GASKET
8	67789200	1	REAR INSULATION
9	66964900	1	R.H. INSULATION SMALL PLANE
10	66965000	1	L.H. INSULATION SMALL PLANE
11	66966100	1	R.H. REAR INSULATION
12	66966200	1	L.H. REAR INSULATION
12	68309500	1	L.H. REAR LOWER INSULATION
13	67163000	1	AIR OUTLET OPENING
14	66965700	1	R.H. LOWER LATERAL INSULATION
15	66965800	1	L.H. LOWER LATERAL INSULATION
16	14506987	1	PLUG
17	66964700	1	-Not for F1- R.H. INSULATION
18	66964800	1	L.H. INSULATION
19	63965800	1	PLUG
20	14059214	2	NUT
21	12643770	2	WASHER
22	10902380	12	SCREW
23	127494	12	WASHER
24	12643770	12	WASHER
25	68315100	1	GASKET

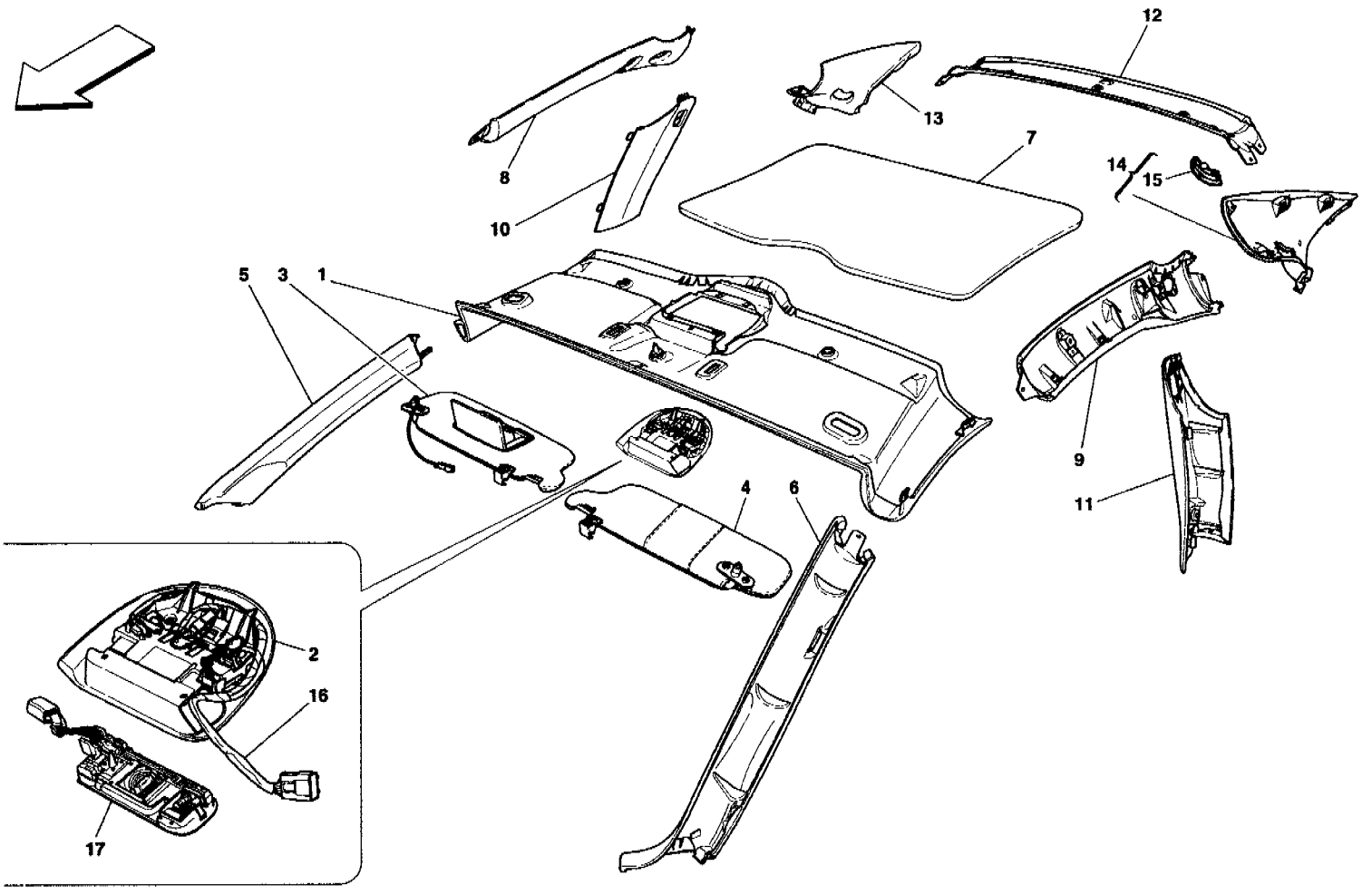
612 SCAGLIETTI - 111 - PASSENGERS COMPARTMENT UPHOLSTERY AND CARPETS



6*2 SCAGLIETTI - 111 - PASSENGERS COMPARTMENT UPHOLSTERY AND CARPETS

*	682377..	1	COMPLETE CARPET SERIES FOR PASSENGERS COMPARTMENT -Not for GD-
*	687191..	1	COMPLETE CARPET SERIES FOR PASSENGERS COMPARTMENT -Valid for GD-
1	682374..	1	FRONT MOVABLE CARPET -Not for GD-
1	687192..	1	FRONT MOVABLE CARPET -Valid for GD-
2	682375..	1	REAR MOVABLE CARPET
3	674351..	1	R.H. FRONT SEAL -Not for GD-
3	678458..	1	R.H. FRONT SEAL -Valid for GD-
4	674352..	1	L.H. FRONT SEAL -Not for GD-
4	678459..	1	L.H. FRONT SEAL -Valid for GD-
5	669683..	1	R.H. PRE-SHAPED CARPET
6	669684..	1	L.H. PRE-SHAPED CARPET
7	674321..	1	R.H. SPAR COVER -Not for GD-
7	678447..	1	R.H. SPAR COVER -Valid for GD-
8	674322..	1	L.H. SPAR COVER -Not for GD-
8	678448..	1	L.H. SPAR COVER -Valid for GD-
9	678402..	1	R.H. SPAR REAR COVER
10	678403..	1	L.H. SPAR REAR COVER
11	681170..	1	FOOT-REST FOR PASSENGER CARPET -Not for GD-
11	681238..	1	FOOT-REST FOR PASSENGER CARPET -Valid for GD-
12	674331..	1	FOOT-REST FOR PILOT CARPET -Not for GD-
12	678454..	1	FOOT-REST FOR PILOT CARPET -Valid for GD-
13	674333..	1	L.H. FRONT PRE-SHAPED CARPET -Not for GD-
13	679363..	1	R.H. FRONT PRE-SHAPED CARPET -Valid for GD-

For particular colour matchings, make order by Fax or E-m@il, specifying serial number. - See "INNER TRIMS CAR CODES" table for codes of parts covered in leather or moquette.



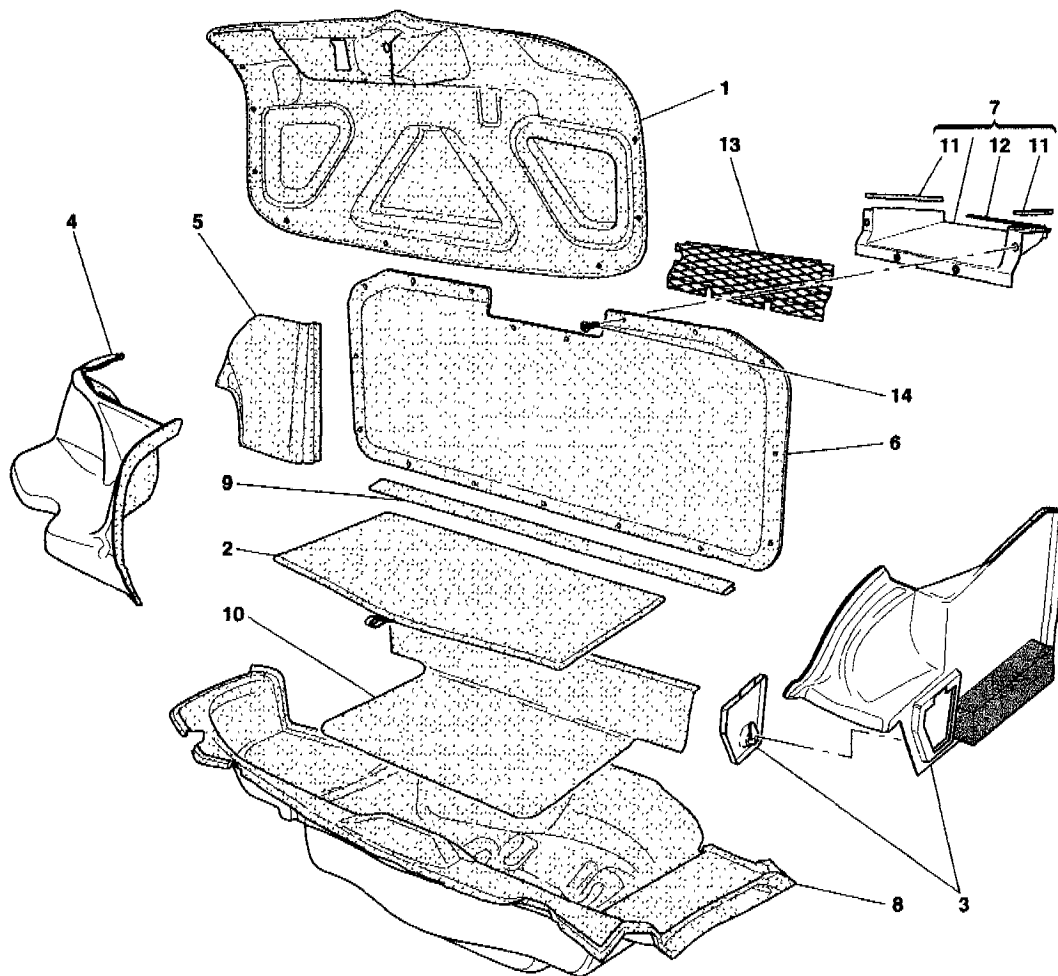
612 SCAGLIETTI - 112 - ROOF PANEL UPHOLSTERY AND ACCESSORIES

1	669727..	1	WINDSCREEN UPPER CROSS ARM MOLDING
2	193791	1	ROOF LAMP FOR PASSENGERS COMPARTMENT LIGHTING
2	191564	1	-Valid till stock exhaustion- ROOF LAMP FOR PASSENGERS COMPARTMENT LIGHTING
2	197556	1	ROOF LAMP FOR PASSENGERS COMPARTMENT LIGHTING -Not for GD- -Telephone- -Optional-
2	191565	1	-Valid till stock exhaustion- ROOF LAMP FOR PASSENGERS COMPARTMENT LIGHTING -Not for GD- -Telephone- -Optional-
2	191566	1	ROOF LAMP FOR PASSENGERS COMPARTMENT LIGHTING -Valid for GD- -Telephone- -Optional-
3	669734..	1	PASSENGER SUN VISOR -Not for GD-
3	674574..	1	PASSENGER SUN VISOR -Valid for GD-
4	669735..	1	DRIVER SUN VISOR -Not for GD-
4	674573..	1	DRIVER SUN VISOR -Valid for GD-
5	669725..	1	FRONT R.H. POST COVERING -Not for GD-
5	682915..	1	FRONT R.H. POST COVERING -Valid for GD-
6	669726..	1	FRONT L.H. POST COVERING -Not for GD-
6	682916..	1	FRONT L.H. POST COVERING -Valid for GD-
7	66973300	1	UPHOLSTERY
7	679344..	1	UPHOLSTERY -Frau leather- -Optional-
8	669728..	1	R.H. SIDE RAIL COVER
9	669729..	1	L.H. SIDE RAIL COVER
10	669730..	1	R.H. CENTRAL POST COVERING -Not for USA and CDN-
10	682987..	1	R.H. CENTRAL POST COVERING -Valid for USA and CDN-
11	669731..	1	L.H. CENTRAL POST COVERING -Not for USA and CDN-
11	682988..	1	L.H. CENTRAL POST COVERING -Valid for USA and CDN-
12	66973200	1	REAR WINDOW UPPER CROSS ARM MOLDING
12	679342..	1	REAR WINDOW UPPER CROSS ARM MOLDING -Frau leather- -Optional-
13	670936..	1	REAR R.H. POST COVERING
14	670937..	1	REAR L.H. POST COVERING
15	67175300	1	L.H. PLATE FOR SAFETY BELT -Not as spare part-
15	67175200	1	-Arrived with safety belt Tab. 122 Ref. 15- R.H. PLATE FOR SAFETY BELT -Not as spare part-

-Arrived with safety belt Tab. 122 Ref. 15-

16	' 199074	1	CABLE
17	193996	1	LIGHT

For particular colour matchings, make order by Fax or E-m@il, specifying serial number. - See "INNER TRIMS CAR CODES" table for codes of parts covered in leather or moquette.

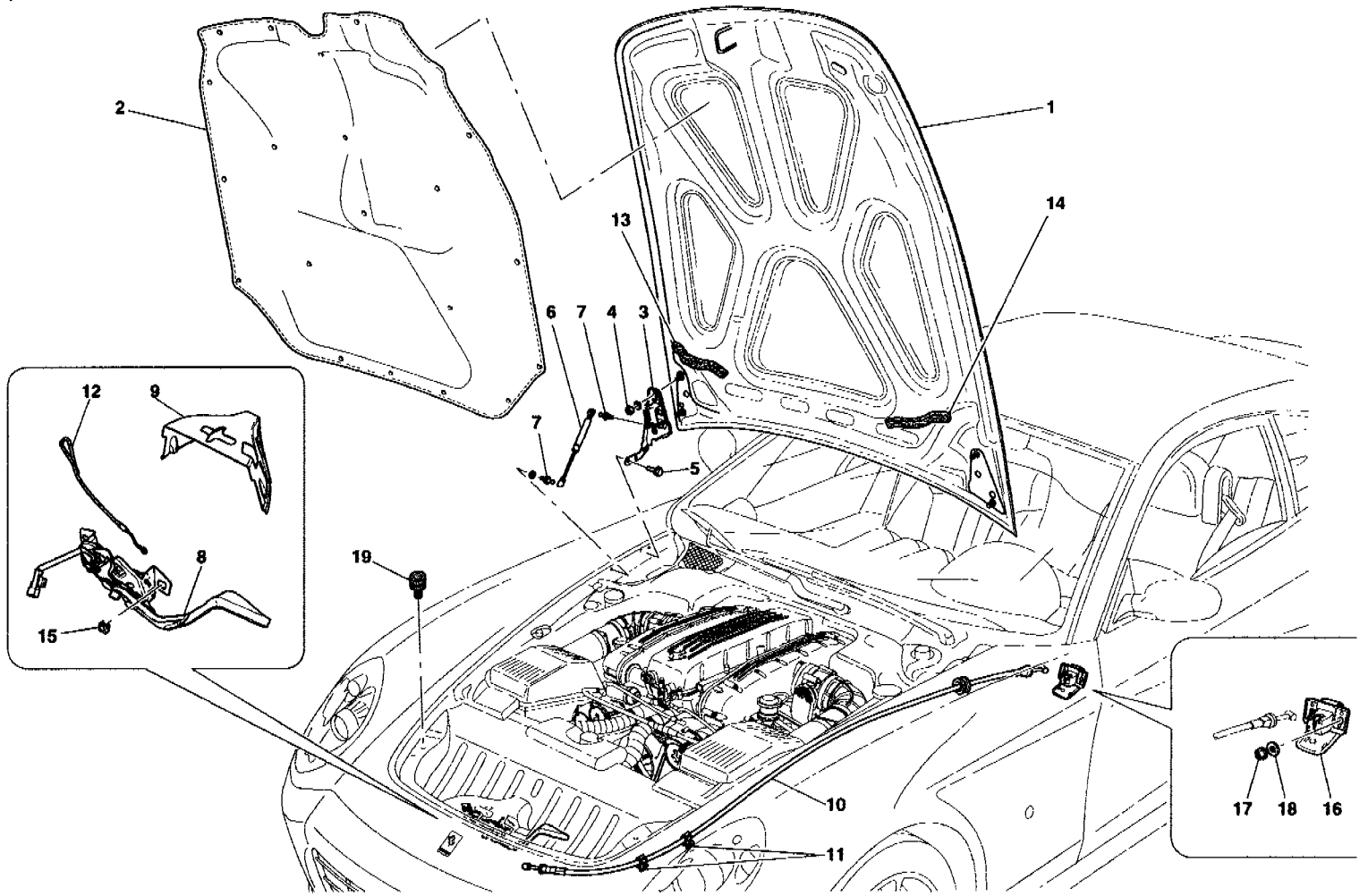


612 SCAGLIETTI - 113 - BOOT UPHOLSTERY

*	682562..	1	COMPLETE CARPET SERIES FOR TRUNK COMPARTMENT
1	669707..	1	REAR HOOD INNER LINING -Not for USA and CDN-
1	683182..	1	REAR HOOD INNER LINING -Valid for USA and CDN-
2	669700..	1	COVER FOR LUGGAGE COMPARTMENT BOTTOM
3	669705..	1	BATTERY PROTECTION R.H. CARPET
4	669704..	1	L.H. REAR LIGHT COVER CARPET
5	669702..	1	L.H. WHEEL PROTECTION CARPET
6	669681..	1	FUEL TANK WALL CARPET
7	67178400	1	CONVEVOR FOR LOUD-SPEAKER
8	669701..	1	PRE-SHAPED CARPET
9	68161400	1	ADHESIVE TISSUE
10	669706..	1	UPPER MOULDING
11	67180600	2	GASKET
12	68117100	1	GASKET
13	67939100	1	NET
14	66091000	17	SCREW

For particular colour matchings, make order by Fax or E-m@il, specifying serial number. - See "INNER TRIMS CAR CODES" table for codes of parts covered in leather or moquette.

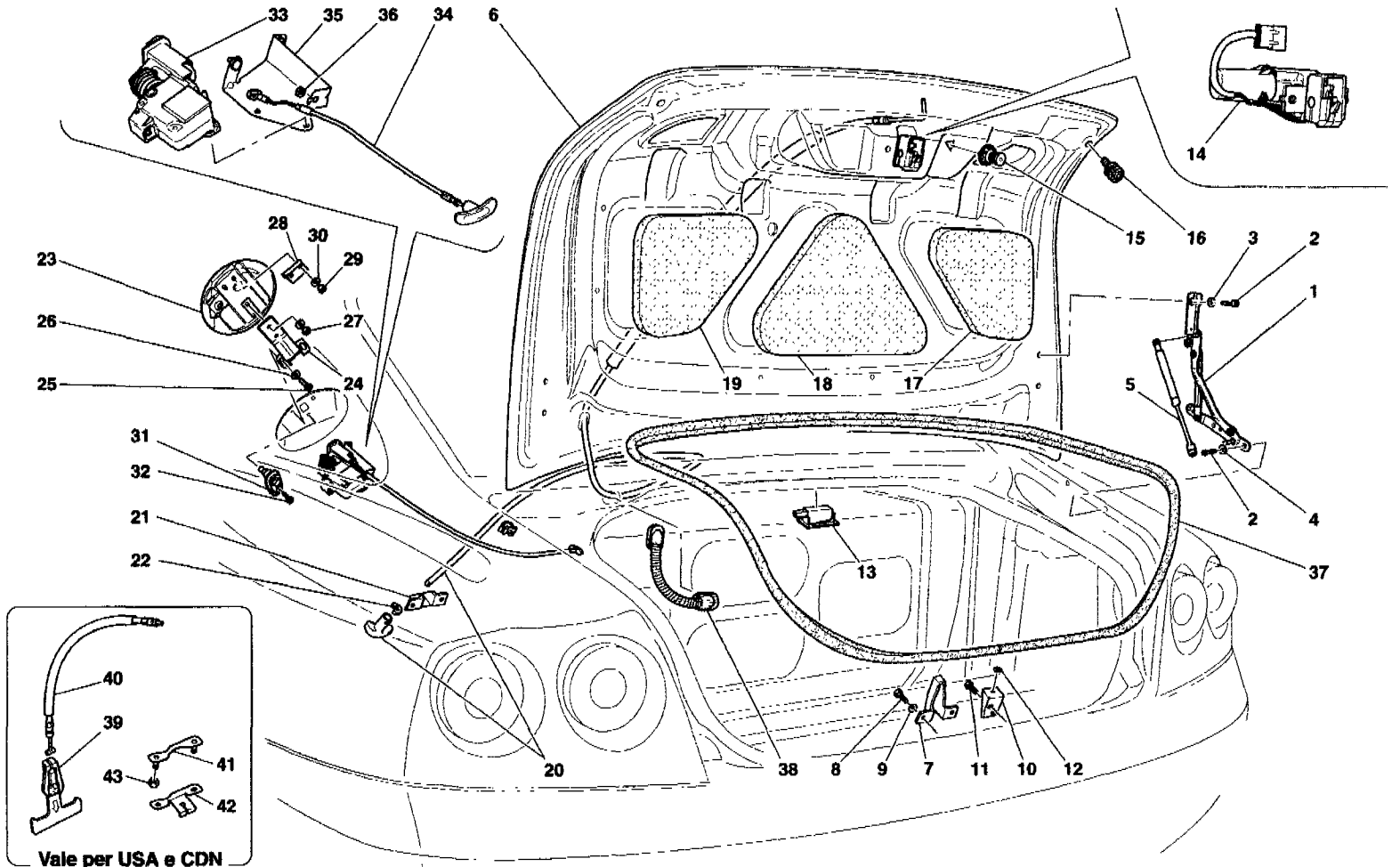
612 SCAGLIETTI - 114 - ENGINE BONNET



612 SCAGLIETTI - 114 - ENGINE BONNET

1	66990200	1	FRONT HOOD BONNET
2	67447500	1	INNER LINING
3	67159800	1	COMPLETE R.H. HINGE
3	67159900	1	COMPLETE L.H. HINGE
4	14059311	4	NUT
5	16287124	4	SCREW
6	67740000	2	GAS SPRING
7	65939900	4	PIN
8	67611400	1	ENGINE BONNET LOCK
9	67629100	1	BONNET LOCK COVER
9	67847100	1	BONNET LOCK COVER -Not for GD-
10	67005600	1	BONNET LOCK COVER -Valid for GD- CABLE FOR MOTOR BONNET OPENING
10	68298600	1	CABLE FOR MOTOR BONNET OPENING -Not for GD- CABLE FOR MOTOR BONNET OPENING -Valid for GD-
11	14569480	2	CLIP
12	67005700	1	EMERGENCY CABLE
13	68298400	1	R.H. GASKET
14	68298500	1	L.H. GASKET
15	67330700	2	NUT WITH CAGE -Not as spare part- -Replaced by 68121800-
15	68121800	2	NUT WITH CAGE
16	67003800	1	HANDLE FOR BONNET OPENING
17	14059111	2	NUT
18	12639724	2	WASHER
19	67161800	2	ANTIVIBRATION PAD

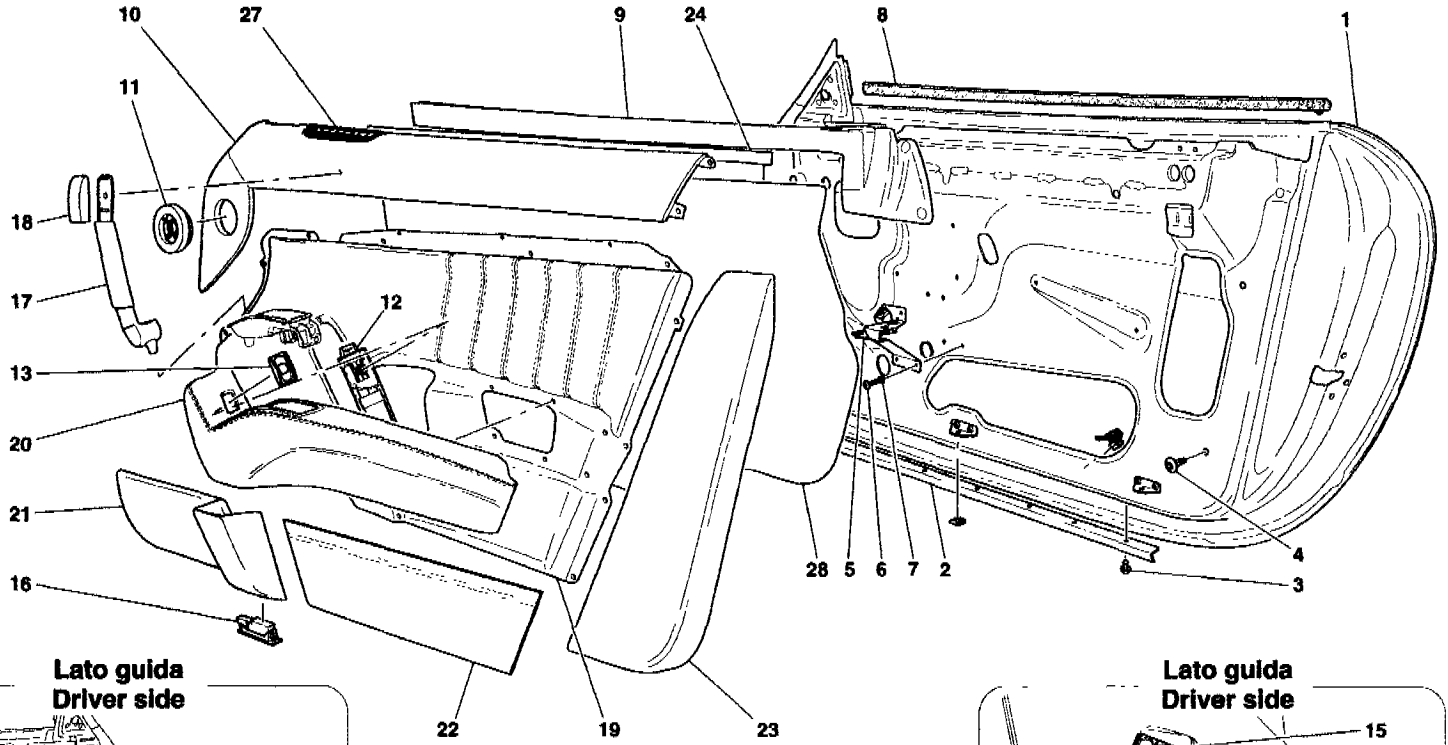
612 SCAGLIETTI - 115 - BOOT DOOR AND PETROL COVER



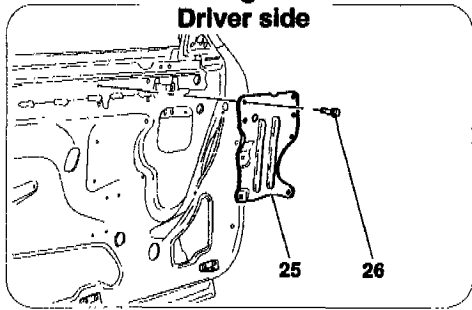
Vale per USA e CDN
Valid for USA and CDN

612 SCAGLIETTI - 115 - BOOT DOOR AND PETROL COVER

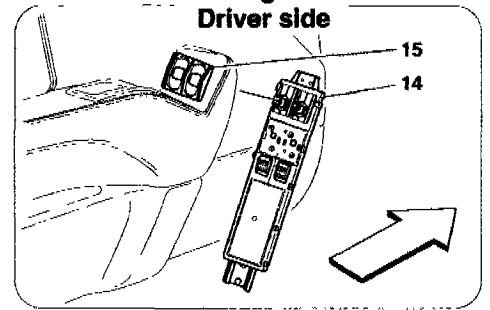
1	67625100	1	COMPLETE R.H. HINGE
1	67625200	1	COMPLETE L.H. HINGE
2	67079400	10	SCREW
3	67079900	4	WASHER
4	12647701	6	WASHER
5	67739900	2	GAS SPRING
6	66990400	1	TRUNK HOOD BONNET
7	67877200	1	STRIKER
8	16132314	2	SCREW
9	10523424	2	WASHER
10	67614600	1	R.H. BRACKET
11	16286024	2	SCREW
12	14215480	1	BLOCK
13	188250	1	DOME LAMP
14	66947600	1	TRUNK HOOD DOOR LOCK
14	67826200	1	-Valid till stock exhaustion- TRUNK HOOD DOOR LOCK
15	67615500	1	ANTI-VIBRATIONS SMALL BLOCK
15	68204100	1	-Not as spare part- -Replaced by 68204100- ANTI-VIBRATIONS SMALL BLOCK
16	67161800	2	ANTIVIBRATION PAD
17	66966800	1	TRUNK HOOD DOOR R.H. INSULATION
18	66967000	1	TRUNK HOOD DOOR CENTRAL INSULATION
19	66966900	1	TRUNK HOOD DOOR L.H. INSULATION
20	66982100	1	HOOD SAFETY CABLE
20	68123500	1	-Not as spare part- -Replaced by 68123500- HOOD SAFETY CABLE
21	67853300	1	BRACKET
22	11087676	1	FLEXIBLE RING
23	67092600	1	FUEL LID DOOR
24	67934900	1	HINGE FOR GAS UNION DOOR
25	13274014	2	SCREW
26	12601174	2	WASHER
27	14084111	2	NUT
28	67840400	1	STRIKER
29	14084111	2	NUT
30	68115400	4	SPACER
31	153069	1	SWITCH
32	16082401	1	SCREW
33	65395900	1	ROCKWELL ACTUATOR
34	66678200	1	SAFETY CABLE
35	66679800	1	ACTUATOR SUPPORT BRACKET
36	11087676	1	FLEXIBLE RING
37	66982600	1	BONNET GASKET
38	191546	2	CABLE BUSHING
39	66403900	1	HANDLE FOR SAFETY CHILDREN
40	67928500	1	-Valid for USA e CDN- OPENING TIE ROD
41	68309400	1	-Valid for USA and CDN- BRACKET FOR SAFETY CABLE BRACKET FIXING
42	68315200	1	-Valid for USA and CDN- SAFETY CABLE BRACKET
43	14059114	2	-Valid for USA and CDN- NUT
			-Valid for USA and CDN-



**Lato guida
Driver side**



**Lato guida
Driver side**

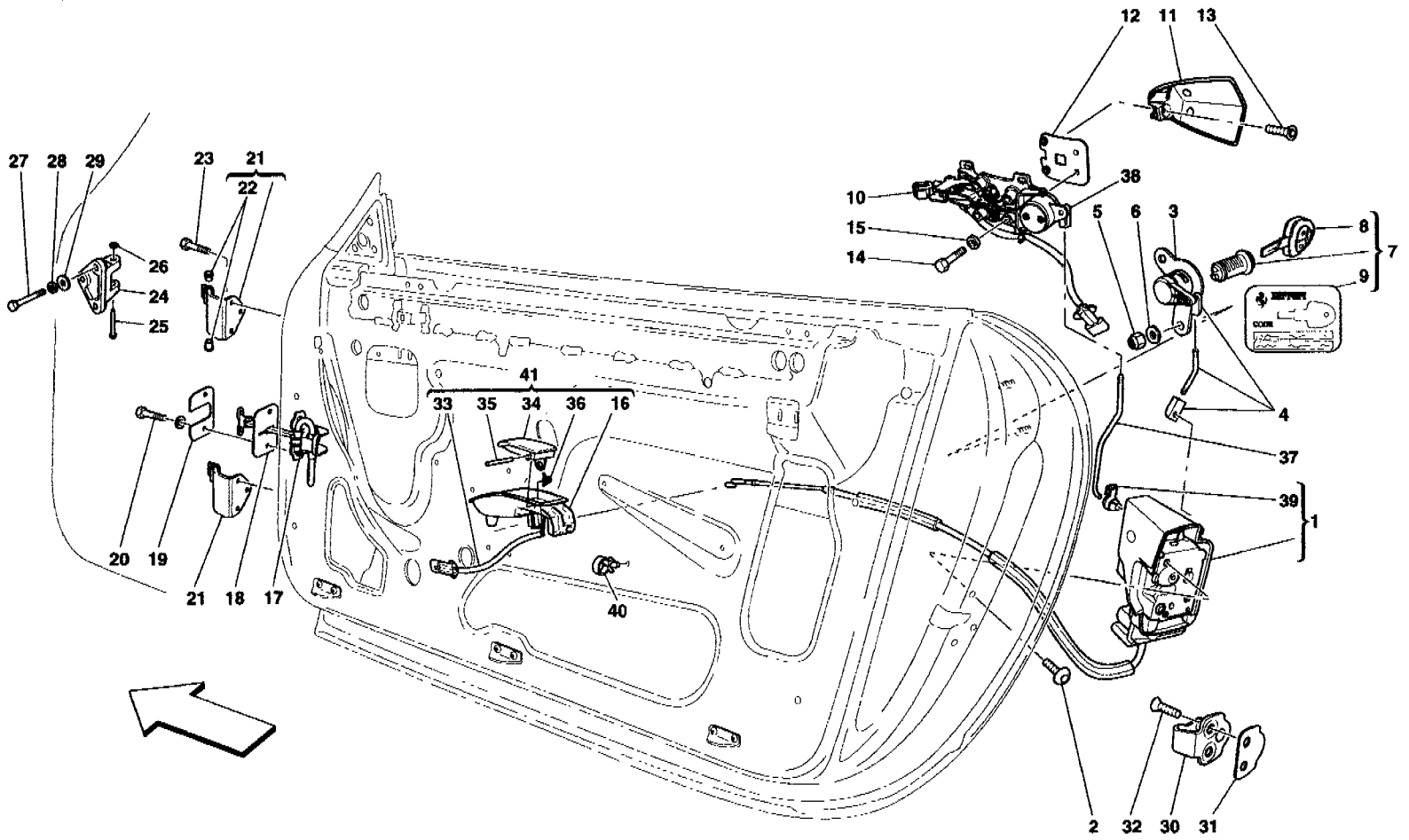


612 SCAGLIETTI - 116 - DOORS - FRAMEWORKS AND COVERINGS

1	66990700	1	R.H. DOOR FRAME
1	66990800	1	L.H. DOOR FRAME
2	67613000	2	GASKET
3	62764000	14	RIVET
4	67302800	8	BUSHING
5	67000200	1	R.H. BRACKET
5	67000300	1	L.H. BRACKET
6	13274211	6	SCREW
7	12637824	6	WASHER
8	66867800	1	R.H. OUTER GLASS SCRAPER
8	66867900	1	L.H. OUTER GLASS SCRAPER
9	67618800	1	R.H. INNER GLASS SCRAPER
9	67618900	1	L.H. INNER GLASS SCRAPER
10	668638..	1	R.H. UPPER PANEL -Not for GD-
10	674577..	1	R.H. UPPER PANEL -Valid for GD-
10	668639..	1	L.H. UPPER PANEL -Not for GD-
10	674578..	1	L.H. UPPER PANEL -Valid for GD-
11	67001000	2	AIR RING NUT
12	191362	1	PASSENGER CONTROL STATION
13	67000400	1	R.H. PLATE
14	191361	1	DRIVER CONTROL STATION -Not for GD-
14	198644	1	DRIVER CONTROL STATION -Valid for GD-
15	67000500	1	L.H. PLATE
16	188250	1	ROOF LIGHT
17	668644..	1	R.H. HANDLE MOULDING -Not for GD-
17	678510..	1	L.H. HANDLE MOULDING -Valid for GD-
18	67174100	1	PLUG -Not for GD-
18	67458900	1	PLUG -Valid for GD-
19	679330..	1	R.H. CENTRAL PANEL
19	679331..	1	L.H. CENTRAL PANEL
20	679306..	1	R.H. ARM-REST -Not for GD-
20	674585..	1	R.H. ARM-REST -Valid for GD-
20	679307..	1	L.H. ARM-REST -Not for GD-
20	674586..	1	L.H. ARM-REST -Valid for GD-
21	692184..	1	R.H. LOWER FRONT MOULDING -"NEW HIDE" moquette-
21	692185..	1	L.H. LOWER FRONT MOULDING -"NEW HIDE" moquette-
21	692186..	1	R.H. LOWER FRONT MOULDING -"NEW RED" moquette-
21	692187..	1	L.H. LOWER FRONT MOULDING -"NEW RED" moquette-
21	692188..	1	R.H. LOWER FRONT MOULDING -"DARK GREY" moquette-
21	692189..	1	L.H. LOWER FRONT MOULDING -"DARK GREY" moquette-
21	692190..	1	R.H. LOWER FRONT MOULDING -"OTRANTO" moquette-
21	692191..	1	L.H. LOWER FRONT MOULDING -"OTRANTO" moquette-
21	692192..	1	R.H. LOWER FRONT MOULDING -"BLACK" moquette-
21	692193..	1	L.H. LOWER FRONT MOULDING -"BLACK" moquette-

21	692194..	1	R.H. LOWER FRONT MOULDING -"BLUE" moquette-
21	692195..	1	L.H. LOWER FRONT MOULDING -"BLUE" moquette-
21	692196..	1	R.H. LOWER FRONT MOULDING -"BEAVER" moquette-
21	692197..	1	L.H. LOWER FRONT MOULDING -"BEAVER" moquette-
21	692198..	1	R.H. LOWER FRONT MOULDING -"BORDEAUX" moquette-
21	692199..	1	L.H. LOWER FRONT MOULDING -"BORDEAUX" moquette-
22	679393..	2	POCKET
23	679320..	1	R.H. REAR CLAMP
23	679321..	1	L.H. REAR CLAMP
24	66865500	1	L.H. PROFILE FOR GLASS SCRAPER
24	66865600	1	R.H. PROFILE FOR GLASS SCRAPER
25	68115600	1	L.H. REINFORCEMENT -Not for GD-
25	68297900	1	R.H. REINFORCEMENT -Valid for GD-
26	16132624	4	SCREW
27	67000600	1	R.H. AIR DIFFUSER
27	67000700	1	L.H. AIR DIFFUSER
28	66865700	1	WATER PROTECTION R.H. CLOTH
28	66865800	1	WATER PROTECTION L.H. CLOTH

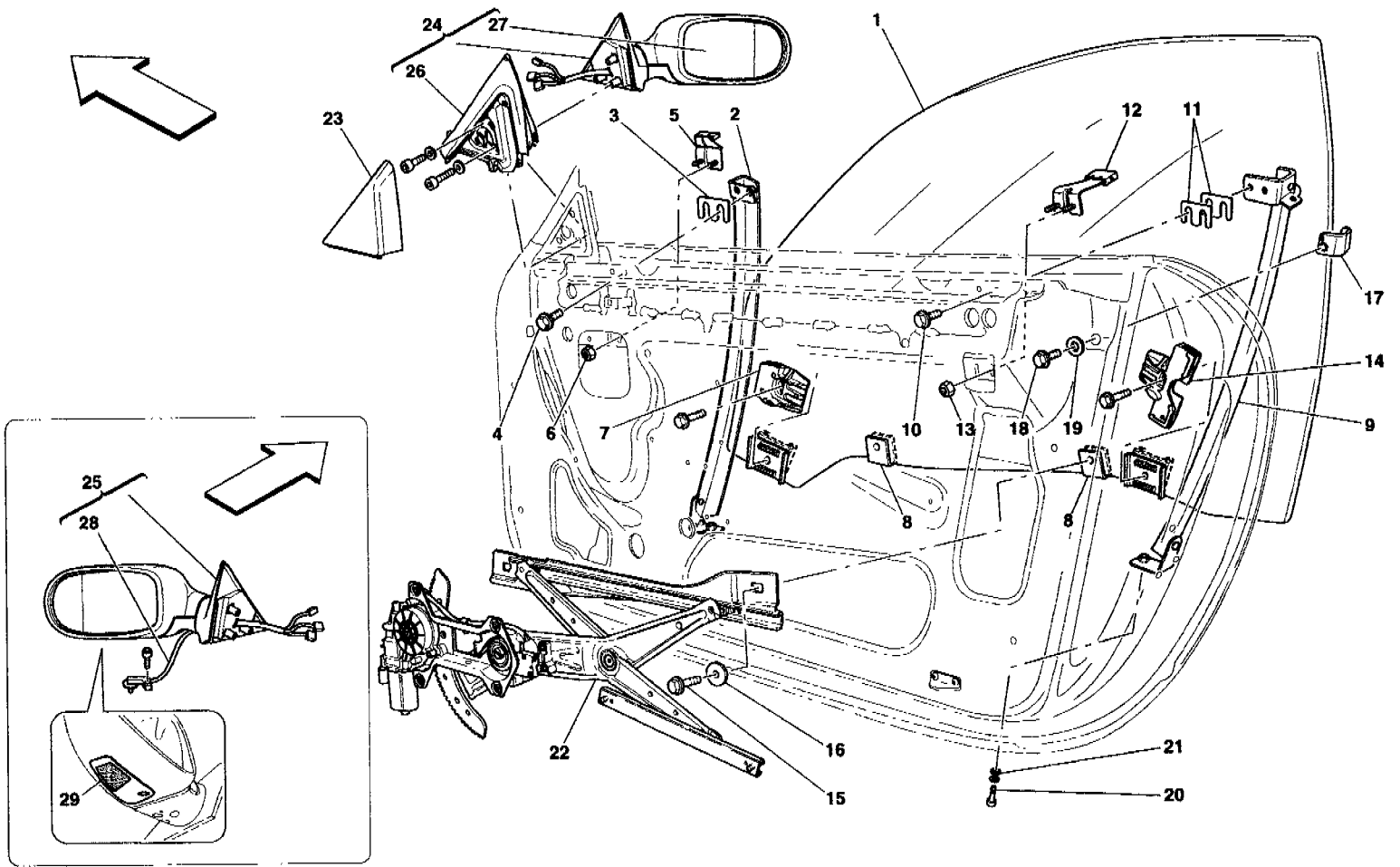
For particular colour matchings, make order by Fax or E-m@il, specifying serial number. - See "INNER TRIMS CAR CODES" table for codes of parts covered in leather or moquette.



612 SCAGLIETTI - 117 - DOORS - OPENING CONTROL AND HINGES

1	67935400	1	R.H. DOOR LOCK
1	67935500	1	L.H. DOOR LOCK
2	67077900	6	SCREW
3	67671200	1	R.H. BLOCK SUPPORT
3	67671300	1	L.H. BLOCK SUPPORT
4	67627700	1	R.H. TIE ROD
4	67627800	1	L.H. TIE ROD
5	15896411	4	NUT
6	14446901	4	WASHER
7	197661	1	LOCKS SET COMPLETED WITH STEERING LOCK AND KEY
8	207548	-	BLANK KEY
9	194003	1	CODE CARD
10	67626900	1	R.H. OUTER HANDLE -Not as spare part- -Replaced by 68127300-
10	68127300	1	R.H. OUTER HANDLE
10	67627000	1	L.H. OUTER HANDLE -Not as spare part- -Replaced by 68127400-
10	68127400	1	L.H. OUTER HANDLE
11	66866410	1	R.H. OUTER DOOR HANDLE
11	66866510	1	L.H. OUTER DOOR HANDLE
12	64659500	2	PLATE
13	64214600	2	SCREW
14	10445224	8	SCREW
15	13550077	8	WASHER
16	67185900	1	R.H. INNER HANDLE BODY FOR DOOR OPENING -Not for GD-
16	67930000	1	R.H. INNER HANDLE BODY FOR DOOR OPENING -Valid for GD-
16	67929400	1	L.H. INNER HANDLE BODY FOR DOOR OPENING -Not for GD-
16	67186000	1	L.H. INNER HANDLE BODY FOR DOOR OPENING -Valid for GD-
17	67499800	2	STOP DOOR TIE ROD
18	67440800	2	GASKET
19	67440700	2	PLATE
20	67926900	4	SCREW -Not as spare part- -Replaced by 13027024-
20	13027024	4	SCREW
21	66996500	4	MOBILE HINGE
22	62825300	8	BUSHING
23	11617624	12	SCREW
24	66996400	4	FIXED HINGE
25	67332700	4	PIN
26	11087974	4	FLEXIBLE RING
27	67624700	8	SCREW -L.=137 mm-
27	67624800	2	SCREW -L.=152 mm-
27	67624900	2	SCREW -L.=172 mm-
28	12628905	12	WASHER
29	11270074	12	WASHER -Not as spare part- -Replaced by 12602474-
29	12602474	12	WASHER
30	67877100	2	STRIKER -Valid till stock exhaustion-
30	68308800	2	STRIKER
31	67853600	2	SPACER

32	14442434	4	SCREW
33	63859200	2	MICRO-SWITCH
34	67186100	1	R.H. OPENING DOOR LEVER
34	67620800	1	L.H. OPENING DOOR LEVER
35	67186200	2	PIN
36	67186300	2	RETURN SPRING FOR LEVEL
37	67627300	1	R.H. TIE ROD
37	67627400	1	L.H. TIE ROD
38	62794000	2	COUPLING
39	14569480	2	CLIP
40	14569880	2	CLIP
41	66866600	1	R.H. DOOR INNER HANDLE -Not for GD-
41	67929900	1	R.H. DOOR INNER HANDLE -Valid for GD-
41	67929300	1	L.H. DOOR INNER HANDLE -Not for GD-
41	66866700	1	L.H. DOOR INNER HANDLE -Valid for GD-

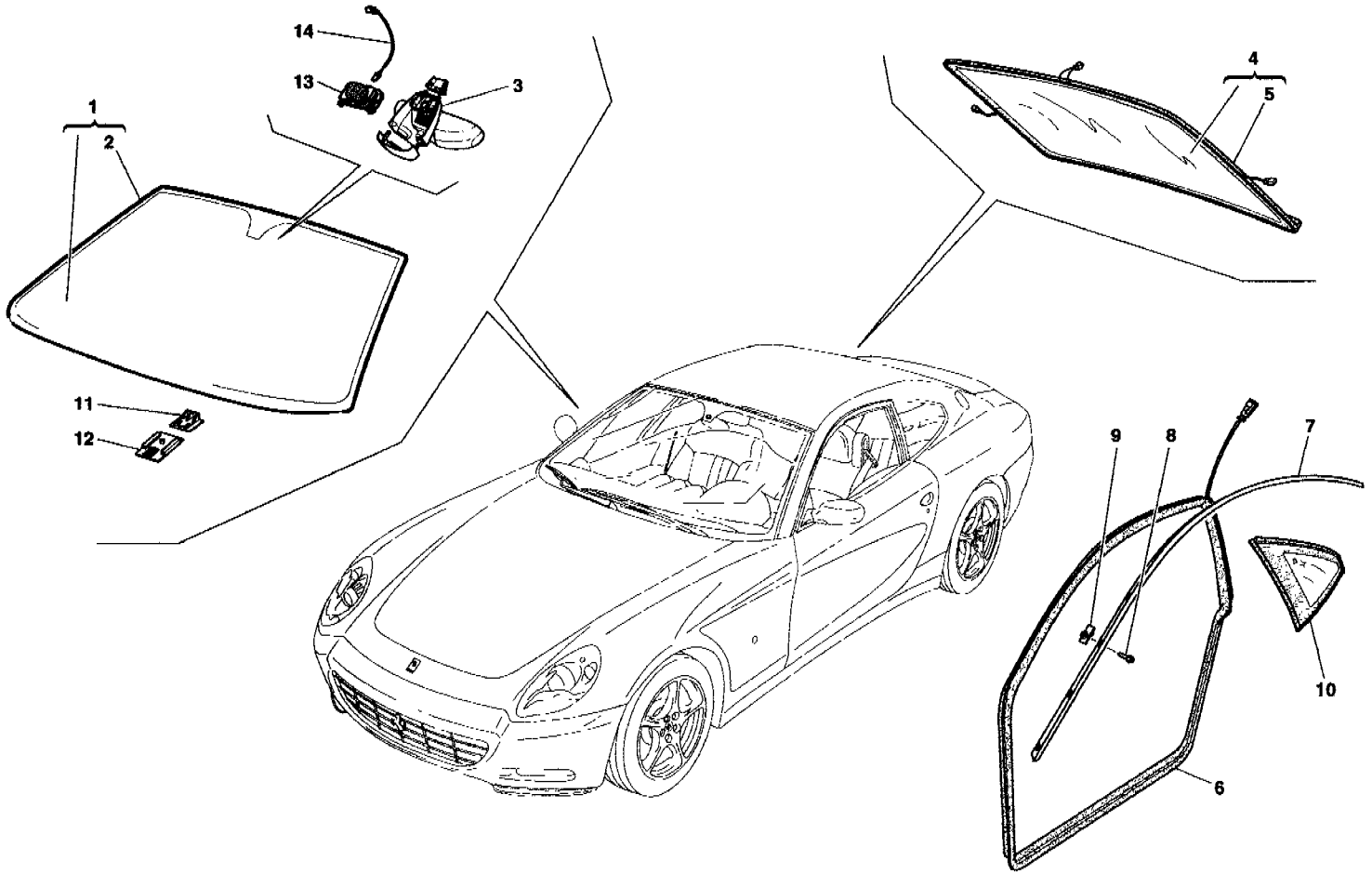


612 SCAGLIETTI - 118 - DOORS - POWER WINDOW AND REARVIEW MIRROR

1	66856000	1	R.H. SIDE GLASS
1	66856100	1	L.H. SIDE GLASS
2	66856400	1	R.H. FRONT GUIDE SHOE
2	66856500	1	L.H. FRONT GUIDE SHOE
3	67628100	4	THICKNESS
4	16286024	4	SCREW
5	67613900	1	FRONT BRACKET
6	14040611	4	NUT
7	67613500	1	R.H. FRONT GUIDE SHOE
7	67613600	1	L.H. FRONT GUIDE SHOE
8	67613200	4	CLIP
9	66856200	1	R.H. REAR GUIDE
9	66856300	1	L.H. REAR GUIDE
10	16286024	4	SCREW
11	67628200	4	THICKNESS
12	67614000	1	R.H. REAR BRACKET
12	67614100	1	L.H. REAR BRACKET
13	14040611	4	NUT
14	67613700	1	R.H. REAR GUIDE SHOE
14	67613800	1	L.H. REAR GUIDE SHOE
15	16132721	8	SCREW
16	12647604	8	WASHER
17	67329800	1	R.H. REAR SMALL BLOCK
17	67329900	1	L.H. REAR SMALL BLOCK
18	13273811	2	SCREW
19	10519307	2	WASHER
20	14306220	2	SCREW
21	12646701	2	WASHER
22	66856600	1	COMPLETE R.H. GLASS LIFT
22	66856700	1	COMPLETE L.H. GLASS LIFT
23	66865200	1	R.H. INNER PLATE
23	66865300	1	L.H. INNER PLATE
24	66978710	1	R.H. EXTERNAL REAR MIRROR
24	67165510	1	-Not for USA, CDN and GD- R.H. EXTERNAL REAR MIRROR
24	67848810	1	-Valid for USA and CDN- R.H. EXTERNAL REAR MIRROR
25	66978810	1	-Valid for GD- L.H. EXTERNAL REAR MIRROR
25	68134710	1	-Not for USA, CDN and GD- L.H. EXTERNAL REAR MIRROR
25	67848910	1	-Valid for USA and CDN- L.H. EXTERNAL REAR MIRROR
26	66978900	1	-Valid for GD- R.H. GASKET
26	66979000	1	L.H. GASKET
27	68284500	1	R.H. OUTER REAR VIEW MIRROR GLASS
27	68712200	1	-Not for USA, CDN and AUS- R.H. OUTER REAR VIEW MIRROR GLASS
27	68983400	1	-Valid for USA and CDN- R.H. OUTER REAR VIEW MIRROR GLASS
27	68285000	1	-Valid for AUS- L.H. OUTER REAR VIEW MIRROR GLASS
27	68712400	1	-Not for USA and CDN- L.H. OUTER REAR VIEW MIRROR GLASS
28	66979300	1	-Valid for USA and CDN- OUTER TEMPERATURE FEELER

29	980139361	1	COMPLETE L.H. ROOF LIGHT
29	980139362	1	COMPLETE R.H. ROOF LIGHT

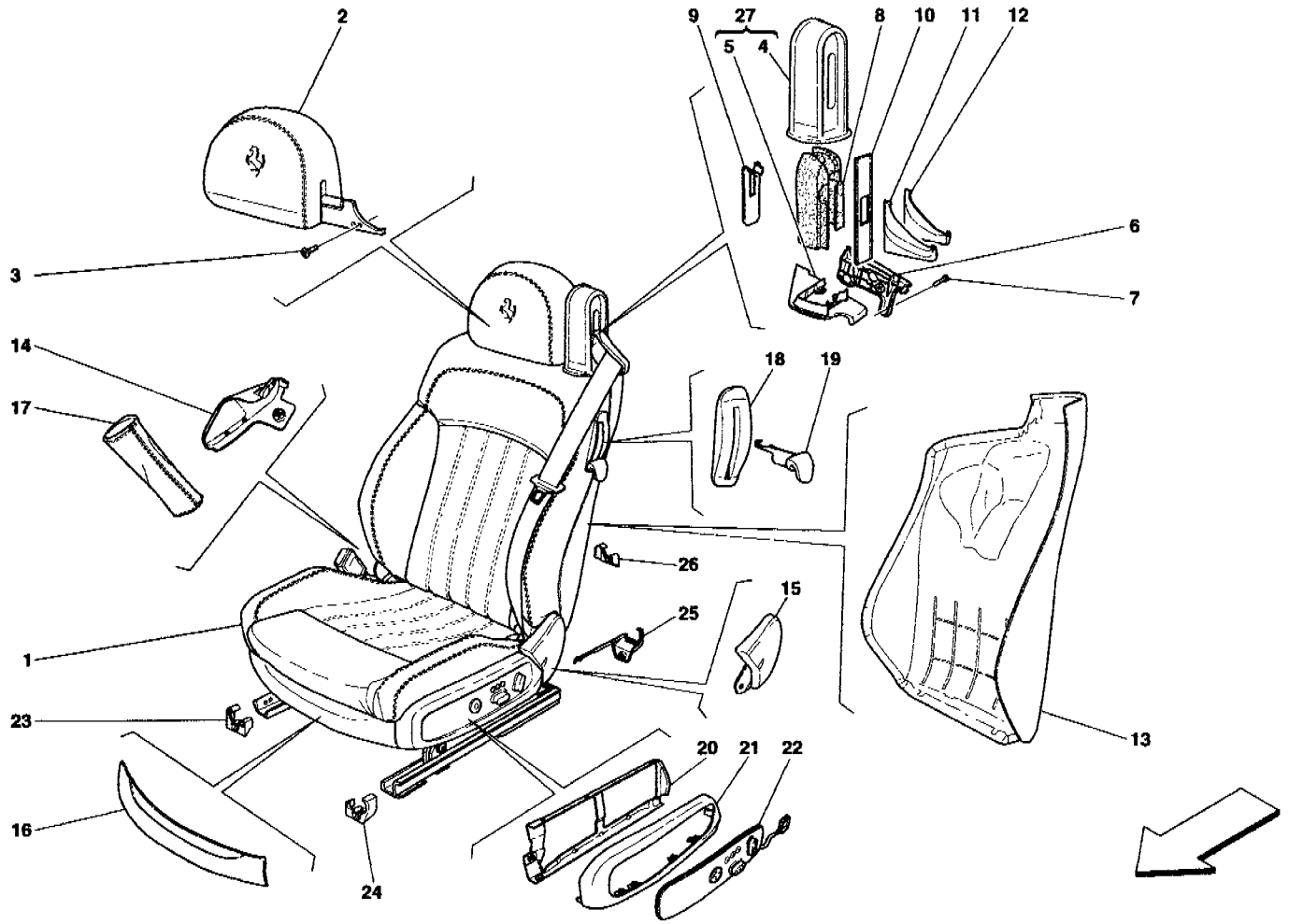
612 SCAGLIETTI - 119 - GLASSES AND GASKETS



612 SCAGLIETTI - 119 - GLASSES AND GASKETS

1	66854800	1	WINDSCREEN GLASS
2	66854900	1	WINDSCREEN GASKET
			-Not as spare part-
3	66977000	1	INNER REAR VIEW MIRROR
4	66855800	1	REAR-WINDOW GLASS
5	66855900	1	REAR WINDOW GASKET
			-Not as spare part-
6	66867600	1	R.H. GASKET FOR DOOR OPENING
6	66867700	1	L.H. GASKET FOR DOOR OPENING
7	66981900	1	R.H. MOULDING
7	66982000	1	R.H. MOULDING
8	16083501	24	SCREW
9	64569500	24	CLIP
10	66855600	1	R.H. REAR SIDE GLASS
10	66855700	1	L.H. REAR SIDE GLASS
11	67163300	2	BLOCK
12	67163200	2	BLOCK GUIDE
13	190935	1	CONTROL STATION FOR RAIN AND TWILIGHT SENSORS
14	201571	1	CABLE FOR RAIN AND TWILIGHT SENSORS

612 SCAGLIETTI - 120 - ELECTRICAL FRONT SEAT - COVERINGS AND ACCESSORIES



612 SCAGLIETTI - 120 - ELECTRICAL FRONT SEAT - COVERINGS AND ACCESSORIES

1	668685..	1	R.H. SEAT COMPLETE WITH GUIDES -Not for GD-
1	678472..	1	R.H. SEAT COMPLETE WITH GUIDES -Valid for GD-
1	678539..	1	R.H. SEAT COMPLETE WITH GUIDES -Heated- -Optional- -Not for GD-
1	678591..	1	R.H. SEAT COMPLETE WITH GUIDES -Heated- -Optional- -Valid for GD-
1	678541..	1	R.H. SEAT COMPLETE WITH GUIDES -Daytona- -Optional- -Not for GD-
1	678593..	1	R.H. SEAT COMPLETE WITH GUIDES -Daytona- -Optional- -Valid for GD-
1	678543..	1	R.H. SEAT COMPLETE WITH GUIDES -With lining- -Optional- -Not for GD-
1	678595..	1	R.H. SEAT COMPLETE WITH GUIDES -With lining- -Optional- -Valid for GD-
1	678545..	1	R.H. SEAT COMPLETE WITH GUIDES -Daytona + lining- -Optional- -Not for GD-
1	678597..	1	R.H. SEAT COMPLETE WITH GUIDES -Daytona + lining- -Optional- -Valid for GD-
1	679205..	1	R.H. SEAT COMPLETE WITH GUIDES -Daytona + heated- -Optional- -Not for GD-
1	679211..	1	R.H. SEAT COMPLETE WITH GUIDES -Daytona + heated- -Optional- -Valid for GD-
1	679207..	1	R.H. SEAT COMPLETE WITH GUIDES -With lining + heated- -Optional- -Not for GD-
1	679213..	1	R.H. SEAT COMPLETE WITH GUIDES -With lining + heated- -Optional- -Valid for GD-
1	679209..	1	R.H. SEAT COMPLETE WITH GUIDES

1	679215..	1	-Daytona + lining + heated- -Optional- -Not for GD- R.H. SEAT COMPLETE WITH GUIDES
1	668686..	1	-Daytona + lining + heated- -Optional- -Valid for GD- L.H. SEAT COMPLETE WITH GUIDES
1	678473..	1	-Not for GD- L.H. SEAT COMPLETE WITH GUIDES
1	678540..	1	-Valid for GD- L.H. SEAT COMPLETE WITH GUIDES
1	678592..	1	-Heated- -Optional- -Not for GD- L.H. SEAT COMPLETE WITH GUIDES
1	678542..	1	-Heated- -Optional- -Valid for GD- L.H. SEAT COMPLETE WITH GUIDES
1	678594..	1	-Daytona- -Optional- -Not for GD- L.H. SEAT COMPLETE WITH GUIDES
1	678544..	1	-Daytona- -Optional- -Valid for GD- L.H. SEAT COMPLETE WITH GUIDES
1	678596..	1	-With lining- -Optional- -Not for GD- L.H. SEAT COMPLETE WITH GUIDES
1	678546..	1	-With lining- -Optional- -Valid for GD- L.H. SEAT COMPLETE WITH GUIDES
1	678598..	1	-Daytona + lining- -Optional- -Not for GD- L.H. SEAT COMPLETE WITH GUIDES
1	679206..	1	-Daytona + lining- -Optional- -Valid for GD- L.H. SEAT COMPLETE WITH GUIDES
1	679212..	1	-Daytona + heated- -Optional- -Not for GD- L.H. SEAT COMPLETE WITH GUIDES
1	679208..	1	-Daytona + heated- -Optional- -Valid for GD- L.H. SEAT COMPLETE WITH GUIDES
1	679214..	1	-With lining + heated- -Optional- -Not for GD- L.H. SEAT COMPLETE WITH

GUIDES

-With lining + heated-

-Optional-

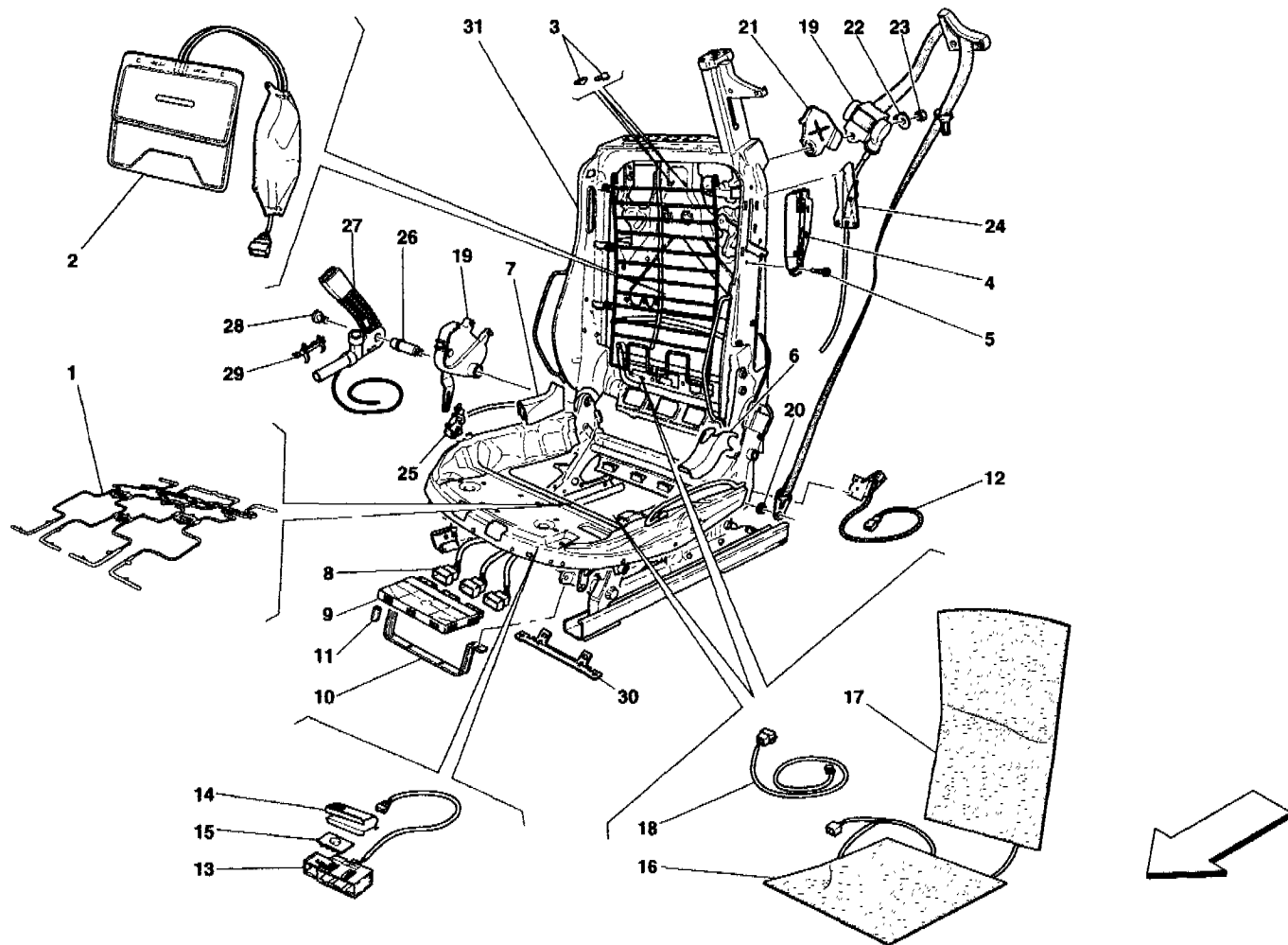
-Valid for GD-

1	679210..	1	L.H. SEAT COMPLETE WITH GUIDES -Daytona + lining + heated- -Optional-
1	679216..	1	L.H. SEAT COMPLETE WITH GUIDES -Daytona + lining + heated- -Optional- -Valid for GD-
1	675823..	1	R.H. SEAT BACK TRIM
1	677820..	1	R.H. CUSHION UPHOLSTERY
1	678561..	1	R.H. SEAT BACK TRIM -Daytona- -Optional-
1	678563..	1	R.H. CUSHION UPHOLSTERY -Daytona- -Optional-
1	678565..	1	R.H. SEAT BACK TRIM -With lining- -Optional-
1	678567..	1	R.H. CUSHION UPHOLSTERY -With lining- -Optional-
1	678571..	1	R.H. SEAT BACK TRIM -Daytona + lining- -Optional-
1	678573..	1	R.H. CUSHION UPHOLSTERY -Daytona + lining- -Optional-
1	675824..	1	L.H. SEAT BACK TRIM
1	677822..	1	L.H. CUSHION UPHOLSTERY
1	678562..	1	L.H. SEAT BACK TRIM -Daytona- -Optional-
1	678564..	1	L.H. CUSHION UPHOLSTERY -Daytona- -Optional-
1	678566..	1	L.H. SEAT BACK TRIM -With lining- -Optional-
1	678568..	1	L.H. CUSHION UPHOLSTERY -With lining- -Optional-
1	678572..	1	L.H. SEAT BACK TRIM -Daytona + lining- -Optional-
1	678574..	1	L.H. CUSHION UPHOLSTERY -Daytona + lining- -Optional-
2	684531..	1	R.H. HEAD-REST
2	687155..	1	R.H. HEAD-REST -With lining- -Optional-
2	684533..	1	L.H. HEAD-REST
2	687156..	1	L.H. HEAD-REST -With lining- -Optional-
2	675827..	1	R.H. HEAD-REST TRIM
2	678569..	1	R.H. HEAD-REST TRIM -With lining- -Optional-
2	678575..	1	R.H. HEAD-REST TRIM -Daytona + lining- -Optional-
2	675828..	1	L.H. HEAD-REST TRIM

2	678570..	1	L.H. HEAD-REST TRIM -With lining- -Optional-
2	678576..	1	L.H. HEAD-REST TRIM -Daytona + lining- -Optional-
3	68453400	4	SCREW
4	677352..	1	R.H. HEAD-REST PILLAR COVER -Not as spare part- -Replaced by 687153.. ref.27-
4	677353..	1	L.H. HEAD-REST PILLAR COVER -Not as spare part- -Replaced by 687154.. ref.27-
5	675854..	1	R.H. LOWER COVER PILLAR -Not as spare part- -Replaced by 687153.. ref.27-
5	675855..	1	L.H. LOWER COVER PILLAR -Not as spare part- -Replaced by 687154.. ref.27-
6	67585600	1	R.H. SEAT BELT GUIDE
6	67585700	1	L.H. SEAT BELT GUIDE
7	68451300	4	SCREW
8	67585200	1	R.H. INSERT PILLAR COVER
8	67585300	1	L.H. INSERT PILLAR COVER
9	68453500	2	INNER GUIDE
10	68453600	2	OUTER GUIDE
11	68151500	2	L.H. FRONT PLATE
12	68151400	2	R.H. FRONT PLATE
13	680762..	1	R.H. SEAT BACK PANEL
13	680763..	1	L.H. SEAT BACK PANEL
14	677827..	1	R.H. SEAT INNER JOINT COVER
14	677828..	1	L.H. SEAT INNER JOINT COVER
15	680776..	1	R.H. SEAT OUTER JOINT COVER
15	680777..	1	L.H. SEAT OUTER JOINT COVER
16	684221..	1	R.H. FRONT GUARD
16	684223..	1	L.H. FRONT GUARD
17	680186..	2	BUCKLE BRANCH COVER
18	67586000	1	R.H. RELEASE LEVER PLATE
18	67586100	1	L.H. RELEASE LEVER PLATE
19	67586200	1	SEAT RELEASE R.H. LEVER
19	67586300	1	SEAT RELEASE L.H. LEVER
20	68078100	1	BRACKET SUPPORTING R.H. OUTER CARTER
20	68078200	1	BRACKET SUPPORTING L.H. OUTER CARTER
21	680778..	1	R.H. OUTER LATERAL CARTER
21	680779..	1	L.H. OUTER LATERAL CARTER
22	198090	1	R.H. SEAT SWITCH PANEL
22	198091	1	L.H. SEAT SWITCH PANEL
22	191542	1	R.H. SEAT SWITCH PANEL -Heater- -Optional-
22	191543	1	L.H. SEAT SWITCH PANEL -Heater- -Optional-
23	67929100	2	INNER FRONT COVER
24	67928600	1	R.H. OUTER FRONT COVER
24	67928700	1	L.H. OUTER FRONT COVER
25	67928800	1	R.H. REAR OUTER COVER
25	67928900	1	L.H. REAR OUTER COVER
26	67929000	2	INNER REAR COVER
27	687153..	1	R.H. HEAD-REST PILLAR COVER KIT
27	687154..	1	L.H. HEAD-REST PILLAR COVER KIT

For particular colour matchings, make order by Fax or E-m@il, specifying serial number. - See "INNER TRIMS CAR CODES" table for codes of parts covered in leather or moquette.

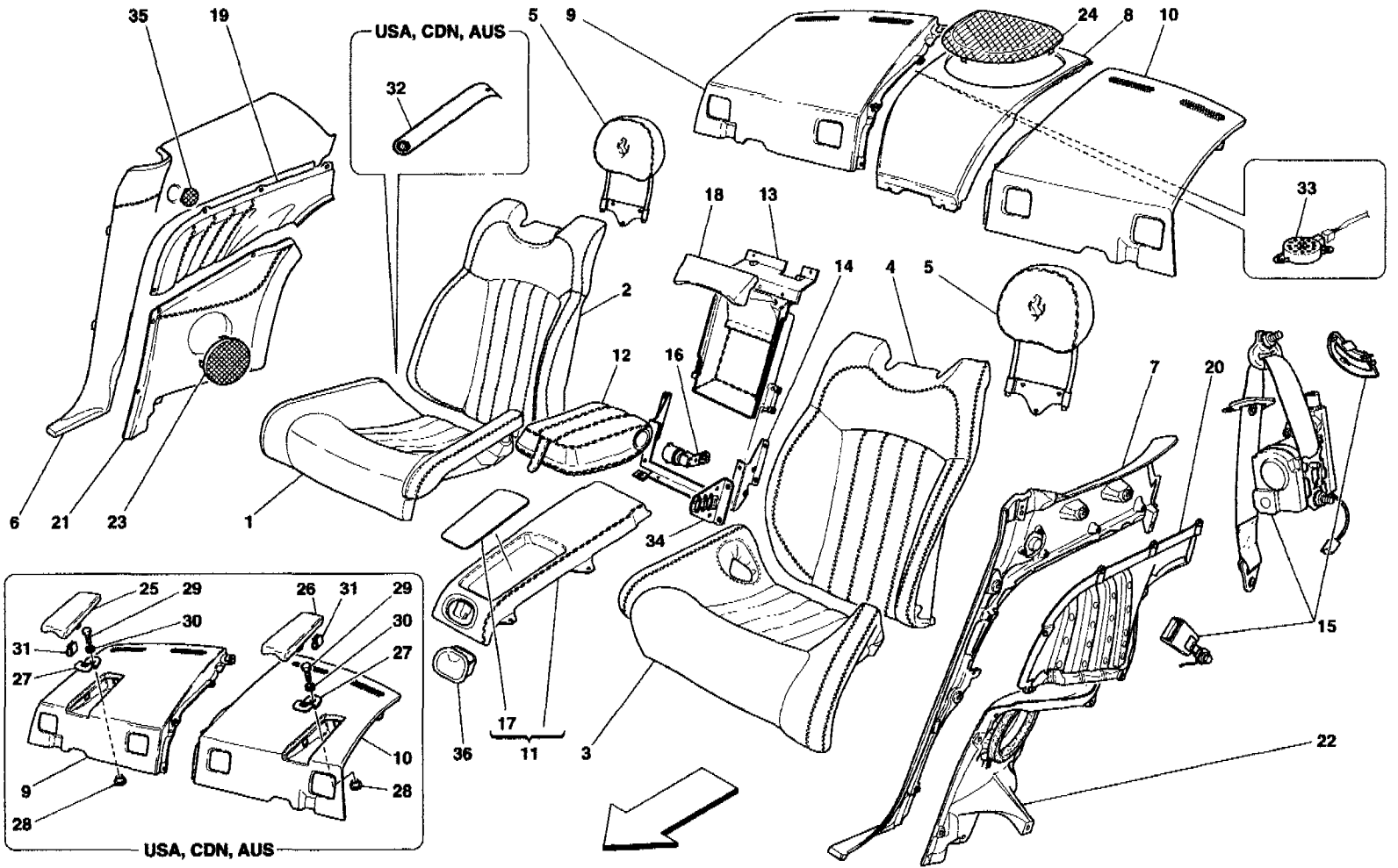
612 SCAGLIETTI - 121 - ELECTRICAL FRONT SEAT - SAFETY BELTS AND DEVICES



612 SCAGLIETTI - 121 - ELECTRICAL FRONT SEAT - SAFETY BELTS AND DEVICES

1	68450900	2	MEMBRANE CUSHION
2	68448600	2	LUMBAR ADJUSTING
3	68451000	4	PIN FIXING ROLLING DEVICE PROTECTION
4	68451100	1	R.H. RELEASE LEVER PLATE SUPPORT
4	68451200	1	L.H. RELEASE LEVER PLATE SUPPORT
5	68451300	4	SCREW
6	68451400	1	R.H. OUTER REAR PROTECTION
6	68451500	1	L.H. OUTER REAR PROTECTION
7	68451600	1	R.H. INNER REAR PROTECTION
7	68451700	1	L.H. INNER REAR PROTECTION
8	198087	1	R.H. SEAT WIRING -Not for GD-
8	213163	1	R.H. SEAT WIRING -Valid for GD-
8	198088	1	L.H. SEAT WIRING -Not for GD-
8	213164	1	L.H. SEAT WIRING -Valid for GD-
9	197590	2	CONTROL STATION
10	68451800	2	CONTROL STATION SUPPORTING BRACKET
11	68451900	4	SPACER
12	67585800	1	R.H. EASY ENTRY DEVICE
12	67585900	1	L.H. EASY ENTRY DEVICE
13	68452000	2	PRETENSIONED WIRING
14	68452100	2	COVER FOR CONNECTOR
15	68452200	2	CLIP FIXING CONNECTOR
16	191544	2	CUSHION HEAT PAD -Heater- -Optional-
17	191545	2	SEAT BACK HEAT PAD -Heater- -Optional-
18	68455600	2	HEAT PADS WIRING -Heater- -Optional-
19	67736200	1	R.H. SEAT BELT -Not for GD-
19	68071500	1	R.H. SEAT BELT -Valid for GD-
19	67736400	1	L.H. SEAT BELT
20	68452300	2	BUSHING
21	68075500	1	BRACKET SUPPORTING R.H. ROLLING DEVICE
21	68075600	1	BRACKET SUPPORTING L.H. ROLLING DEVICE
22	68075700	1	R.H. COMPENSATOR SPACER
22	68075800	1	L.H. COMPENSATOR SPACER
23	68452400	2	NUT
24	68452500	1	SUPPORT FOR CABLE STOP R.H. ROLLING DEVICE
24	68452600	1	SUPPORT FOR CABLE STOP L.H. ROLLING DEVICE
25	68452700	2	WHITE CLIP TUNNEL SIDE
26	68452800	2	PIN FIXING REGULATOR
27	68152600	1	R.H. BUCKLE BRANCH
27	68152500	1	L.H. BUCKLE BRANCH
28	68452900	2	SCREW
29	68453000	2	PRETENSIONED CABLES SUPPORT
30	68159200	2	CONNECTORS FIXING BRACKET
31	69186000	1	COMPLETE R.H. SEAT STRUCTURE
31	69186100	1	COMPLETE L.H. SEAT STRUCTURE

612 SCAGLIETTI - 122 - REAR SEAT - SAFETY BELTS



612 SCAGLIETTI - 122 - REAR SEAT - SAFETY BELTS

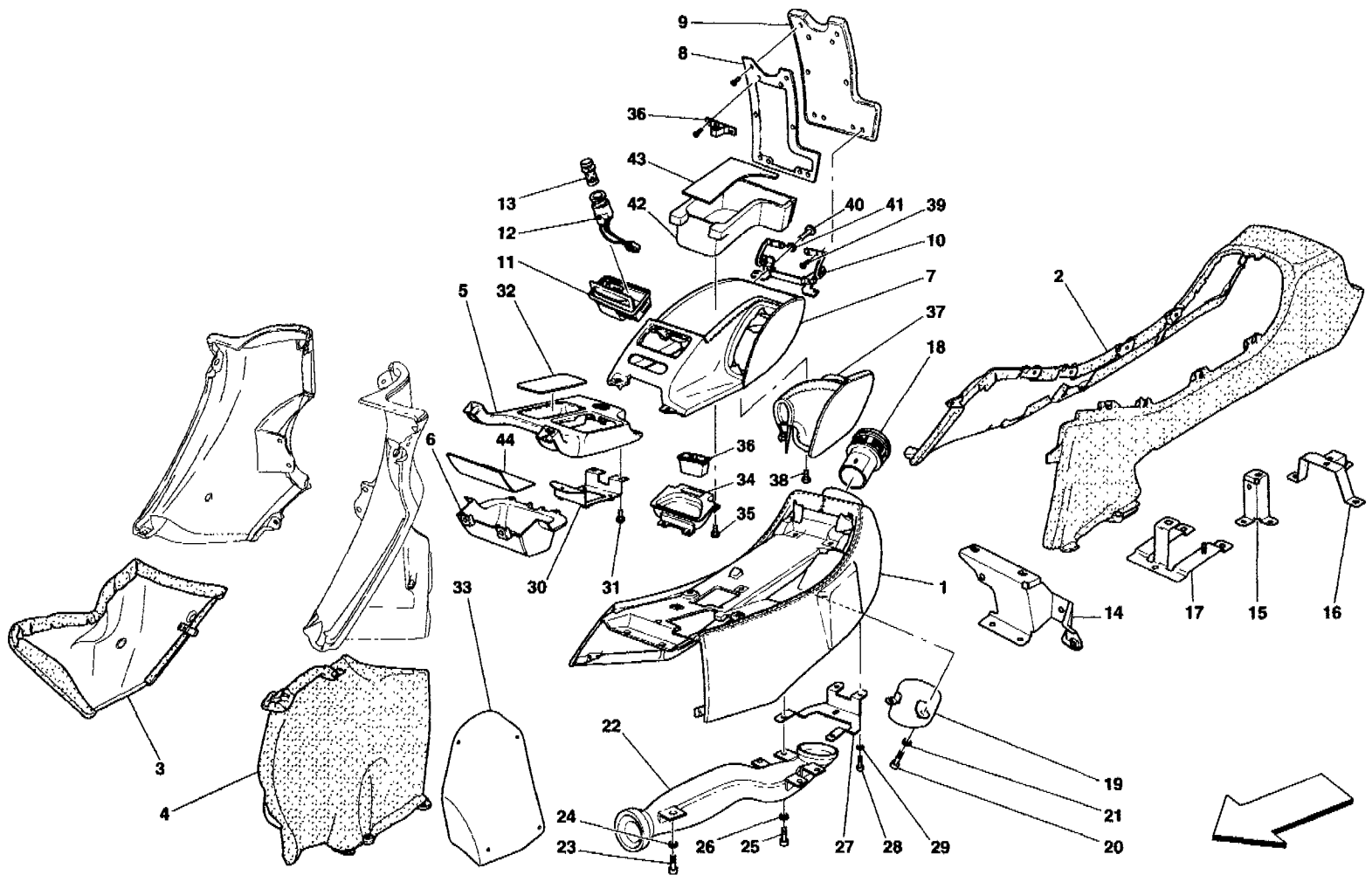
1	668689..	1	R.H. REAR CUSHION -Not for USA, CDN and AUS-
1	683067..	1	R.H. REAR CUSHION -Valid for USA, CDN and AUS-
1	678555..	1	R.H. REAR CUSHION -Daytona- -Optional-
1	683070..	1	-Not for USA, CDN and AUS- R.H. REAR CUSHION -Daytona- -Optional-
1	678557..	1	-Valid for USA, CDN and AUS- R.H. REAR CUSHION -With lining- -Optional-
1	683071..	1	-Not for USA, CDN and AUS- R.H. REAR CUSHION -With lining- -Optional-
1	678559..	1	-Valid for USA, CDN and AUS- R.H. REAR CUSHION -Daytona + lining- -Optional-
1	683072..	1	-Not for USA, CDN and AUS- R.H. REAR CUSHION -Daytona + lining- -Optional-
2	668687..	1	-Valid for USA, CDN and AUS- R.H. REAR SEAT BACK
2	678547..	1	R.H. REAR SEAT BACK -Daytona- -Optional-
2	678549..	1	R.H. REAR SEAT BACK -With lining- -Optional-
2	678551..	1	R.H. REAR SEAT BACK -Daytona + lining- -Optional-
3	668690..	1	L.H. REAR CUSHION -Not for USA, CDN and AUS-
3	683068..	1	L.H. REAR CUSHION -Valid for USA, CDN and AUS-
3	678556..	1	L.H. REAR CUSHION -Daytona- -Optional-
3	683073..	1	-Not for USA, CDN and AUS- L.H. REAR CUSHION -Daytona- -Optional-
3	678558..	1	-Valid for USA, CDN and AUS- L.H. REAR CUSHION -With lining- -Optional-
3	683074..	1	-Not for USA, CDN and AUS- L.H. REAR CUSHION -With lining- -Optional-
3	678560..	1	-Valid for USA, CDN and AUS- L.H. REAR CUSHION -Daytona + lining- -Optional-
3	683075..	1	-Not for USA, CDN and AUS- L.H. REAR CUSHION -Daytona + lining- -Optional-
4	668688..	1	-Valid for USA, CDN and AUS- L.H. REAR SEAT BACK
4	678548..	1	L.H. REAR SEAT BACK

			-Daytona-
			-Optional-
4	678550..	1	L.H. REAR SEAT BACK
			-With lining-
			-Optional-
4	678552..	1	L.H. REAR SEAT BACK
			-Daytona + lining-
			-Optional-
5	668691..	2	HEAD-REST
5	678553..	2	HEAD-REST
			-With lining-
			-Optional-
6	669712..	1	R.H. UPPER SIDE PANEL
7	669714..	1	L.H. UPPER SIDE PANEL
8	669736..	1	CENTRAL REAR WINDOW PLATE
9	67325500	1	LATERAL R.H. REAR WINDOW PLATE
			-Not for USA, CDN and AUS-
9	683191..	1	LATERAL R.H. REAR WINDOW PLATE
			-Not for USA, CDN and AUS-
			-Frau leather-
			-Optional-
9	66973700	1	LATERAL R.H. REAR WINDOW PLATE
			-Valid for USA, CDN and AUS-
9	683195..	1	LATERAL R.H. REAR WINDOW PLATE
			-Valid for USA, CDN and AUS-
			-Frau leather-
			-Optional-
10	67325600	1	LATERAL L.H. REAR WINDOW PLATE
			-Not for USA, CDN and AUS-
10	683192..	1	LATERAL L.H. REAR WINDOW PLATE
			-Not for USA, CDN and AUS-
			-Frau leather-
			-Optional-
10	66973800	1	LATERAL L.H. REAR WINDOW PLATE
			-Valid for USA, CDN and AUS-
10	683196..	1	LATERAL L.H. REAR WINDOW PLATE
			-Valid for USA, CDN and AUS-
			-Frau leather-
			-Optional-
11	676254..	1	REAR CONSOLE
12	669767..	1	COMPLETE REAR ARM-REST
13	67005300	1	ARM-REST COMPARTMENT
			FRAME
14	66976600	1	BRACKET
15	66976800	1	SAFETY BELTS
16	65559500	2	PIN
17	676227..	1	END PLATE
18	671778..	1	PLATE
19	669715..	1	R.H. CENTRAL SIDE PANEL
20	669716..	1	L.H. CENTRAL SIDE PANEL
21	669711..	1	R.H. LOWER SIDE PANEL
22	669713..	1	L.H. LOWER SIDE PANEL
23	66974200	2	LATERAL GRILLE
24	66974400	1	CENTER GRILLE
25	68319900	1	R.H. COVER
			-Valid for USA, CDN and AUS-
25	671775..	1	R.H. COVER
			-Valid for USA, CDN and AUS-
			-Frau leather-
			-Optional-
26	68320000	1	L.H. COVER
			-Valid for USA, CDN and AUS-
26	671776..	1	L.H. COVER
			-Valid for USA, CDN and AUS-
			-Frau leather-
			-Optional-
27	66154400	2	BRACKET FOR BELT COUPLER
			-Valid for USA, CDN and AUS-
28	66485200	2	SPACER
			-Valid for USA, CDN and AUS-

29	16043724	2	SCREW -Valid for USA, CDN and AUS-
30	14496527	2	WASHER -Valid for USA, CDN and AUS-
31	67323300	6	CLIP -Valid for USA, CDN and AUS-
32	683064..	2	LOWER ANCHORAGE -Valid for USA, CDN and AUS-
33	184928	1	BUZZER -Parking sensor- -Optional-
34	65414200	2	UPPER BRACKET
35	66974300	2	TWEETER GRILL
36	67629000	1	ASH TRAY

For particular colour matchings, make order by Fax or E-m@il, specifying serial number. - See "INNER TRIMS CAR CODES" table for codes of parts covered in leather or moquette.

612 SCAGLIETTI - 123 - TUNNEL - FRAMEWORK AND ACCESSORIES



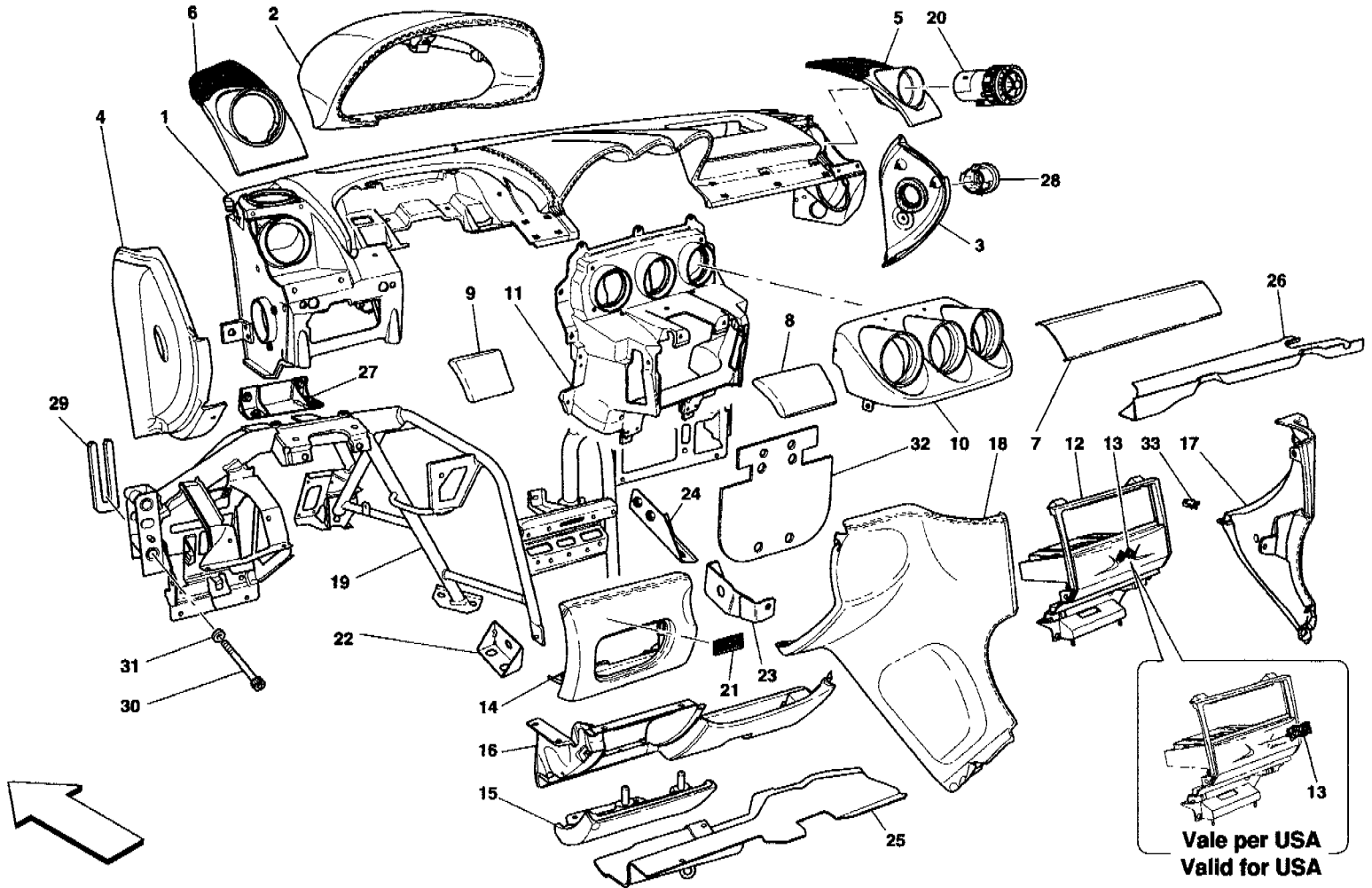
612 SCAGLIETTI - 123 - TUNNEL - FRAMEWORK AND ACCESSORIES

1	669756..	1	CENTRAL CONSOLE MOULDING -Not for GD-
1	681178..	1	CENTRAL CONSOLE MOULDING -Valid for GD-
2	669754..	1	REAR MOULDING TUNNEL COVER
3	669750..	1	R.H. FRONT MOULDING TUNNEL COVER -Not for GD-
3	678464..	1	R.H. FRONT MOULDING TUNNEL COVER -Valid for GD-
4	669751..	1	L.H. FRONT MOULDING TUNNEL COVER -Not for GD-
4	678465..	1	L.H. FRONT MOULDING TUNNEL COVER -Valid for GD-
5	674313..	1	UPPER MOULDING TUNNEL COVER -Valid for F1-
5	681181..	1	UPPER MOULDING TUNNEL COVER -Not for GD-
5	678500..	1	UPPER MOULDING TUNNEL COVER -Not for F1-
5	678500..	1	UPPER MOULDING TUNNEL COVER -Valid for GD-
5	681190..	1	UPPER MOULDING TUNNEL COVER -Valid for F1-
5	681190..	1	UPPER MOULDING TUNNEL COVER -Bluetooth telephone-
5	681190..	1	UPPER MOULDING TUNNEL COVER -Optional-
5	681190..	1	UPPER MOULDING TUNNEL COVER -Not for GD-
5	674310..	1	UPPER MOULDING TUNNEL COVER -Not for F1-
5	681215..	1	UPPER MOULDING TUNNEL COVER -Not for GD-
5	681215..	1	UPPER MOULDING TUNNEL COVER -Valid for F1-
5	678499..	1	UPPER MOULDING TUNNEL COVER -Valid for GD-
5	681219..	1	UPPER MOULDING TUNNEL COVER -Not for F1-
5	681219..	1	UPPER MOULDING TUNNEL COVER -Bluetooth telephone-
5	681219..	1	UPPER MOULDING TUNNEL COVER -Optional-
5	681219..	1	UPPER MOULDING TUNNEL COVER -Not for GD-
6	670940..	1	GLOVE COMPARTMENT -Valid for F1-
6	670940..	1	GLOVE COMPARTMENT -Bluetooth telephone-
6	681177..	1	GLOVE COMPARTMENT -Optional-
6	681177..	1	GLOVE COMPARTMENT -Valid for GD-
7	670942..	1	UPPER REAR TUNNEL INSERT
8	67004600	1	DOOR FRAME MOULDING
9	670045..	1	DOOR FRAME
10	67004700	1	COMPLETE BOX HINGE
11	66976100	1	ASH TRAY
12	183271	1	CIGAR LIGHTER BODY
13	183270	1	CIGAR LIGHTER
14	67326300	1	FRONT BRACKET
15	67325300	1	R.H. BRACKET
16	67325400	1	REAR BRACKET
17	67170300	1	VAW SENSOR FIXING BRACKET
18	66853800	1	AIR DIFFUSER
19	67093900	1	SLEEVE -Valid from Ass. Nr. 58089-
19	68316600	1	SLEEVE -Anodized-
19	68316600	1	SLEEVE -Valid till Ass. Nr. 58089-
19	67924900	1	SLEEVE -Painted-
19	67924900	1	SLEEVE -Valid from Ass. Nr. 58090-

			-DARK-
			-Optional-
			-Painted-
			-Valid from Ass. Nr. 58457-
20	13273911	3	SCREW
21	12637824	3	WASHER
22	66854000	1	REAR AIR DUCTING
			-Not for GD-
22	68119500	1	REAR AIR DUCTING
			-Valid for GD-
23	15687370	1	SCREW
24	13550078	1	WASHER
25	13274111	2	SCREW
26	12637824	2	WASHER
27	67003900	1	BRACKET FIXING AIR DIFFUSER
28	13273911	2	SCREW
29	12637824	2	WASHER
30	67628600	1	CONTROL UNIT FIXING BRACKET
			-Valid for F1-
31	13271811	3	SCREW
32	670041..	1	END PLATE
33	66975500	1	ACCELERATOR PEDAL PROTECTION
			-Not for GD-
33	67932500	1	ACCELERATOR PEDAL PROTECTION
			-Valid for GD-
34	67172100	1	LOCK INSERT
35	15957701	4	SCREW
36	67004800	1	SEAL
37	669769..	1	HAND BRAKE COVER
38	15901501	5	SCREW
39	15915701	4	SCREW
40	15687370	2	SCREW
41	12639901	2	WASHER
42	67004300	1	GLOVE COMPARTMENT
43	670941..	1	END PLATE
44	681126..	1	FRONT END PLATE

For particular colour matchings, make order by Fax or E-m@il, specifying serial number. - See "INNER TRIMS CAR CODES" table for codes of parts covered in leather or moquette.

612 SCAGLIETTI - 124 - INSTRUMENTS PANEL



Vale per USA
Valid for USA

612 SCAGLIETTI - 124 - INSTRUMENTS PANEL

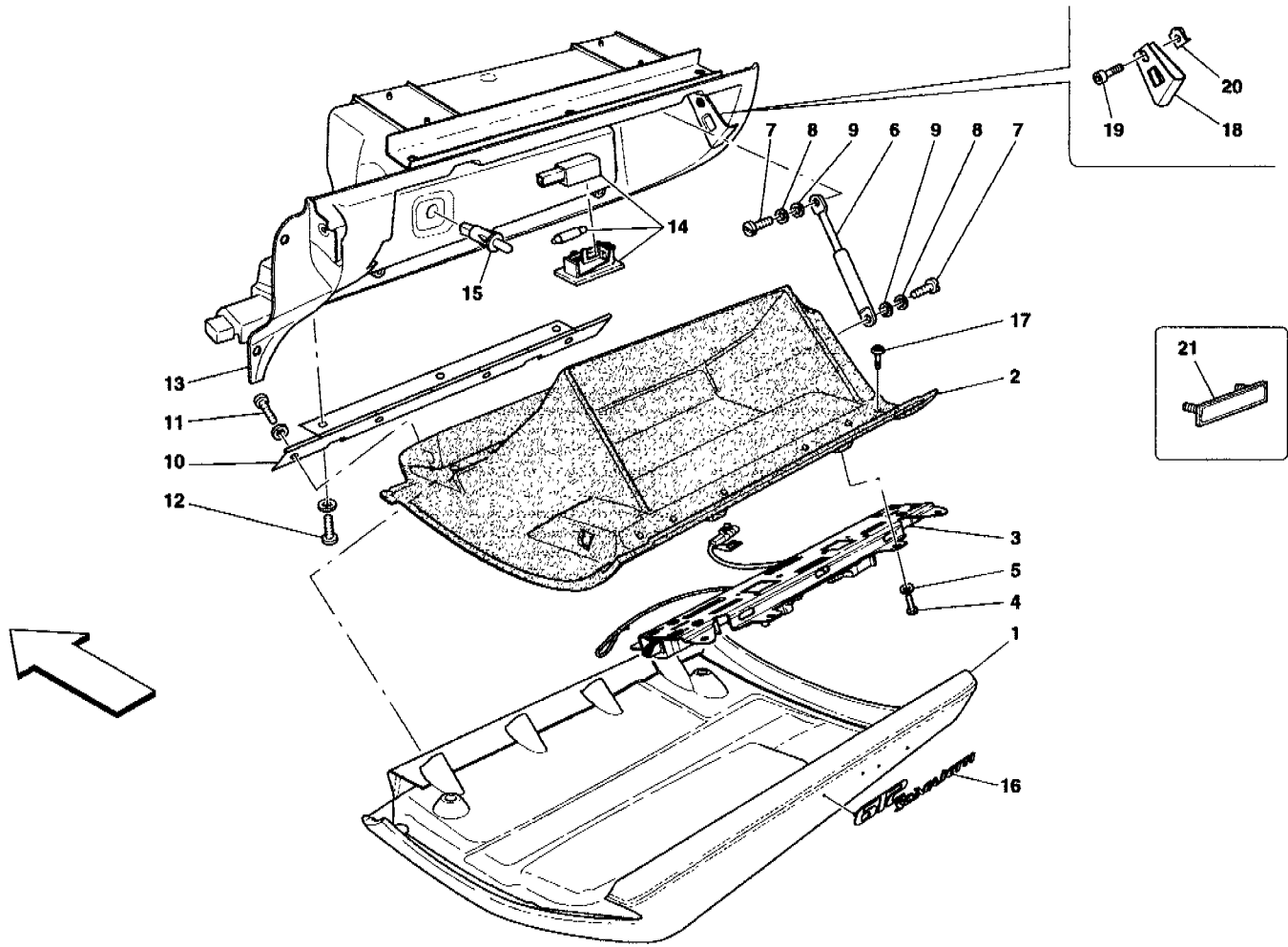
1	671561..	1	UPPER DASHBOARD FRAMEWORK -Not for GD-
1	674480..	1	UPPER DASHBOARD FRAMEWORK -Valid for GD-
2	668515..	1	DASH BOARD -Not for GD-
2	674500..	1	DASH BOARD -Valid for GD-
3	668516..	1	R.H. LATERAL DASHBOARD MOULDING -Not for GD-
3	674559..	1	R.H. LATERAL DASHBOARD MOULDING -Valid for GD-
3	674455..	1	R.H. LATERAL DASHBOARD MOULDING -Valid for cars with passenger air-bag exclusion- -Optional- -Not for GD-
4	668517..	1	L.H. LATERAL DASHBOARD MOULDING -Not for GD-
4	674560..	1	L.H. LATERAL DASHBOARD MOULDING -Valid for GD-
4	678416..	1	L.H. LATERAL DASHBOARD MOULDING -Valid for cars with passenger air-bag exclusion- -Optional- -Valid for GD-
5	66852400	1	R.H. AIR OUTLET PLATE -Anodized- -Valid till Ass. Nr. 58089-
5	68316200	1	R.H. AIR OUTLET PLATE -Painted- -Valid from Ass. Nr. 58090-
5	67921900	1	R.H. AIR OUTLET PLATE -DARK- -Optional- -Painted- -Valid from Ass. Nr. 58457-
6	66852500	1	L.H. AIR OUTLET PLATE -Anodized- -Valid till Ass. Nr. 58089-
6	68316300	1	L.H. AIR OUTLET PLATE -Painted- -Valid from Ass. Nr. 58090-
6	67922000	1	L.H. AIR OUTLET PLATE -DARK- -Optional- -Painted- -Valid from Ass. Nr. 58457-
7	67185100	1	R.H. SIDE MOULDING -Not for GD- -Anodized- -Valid till Ass. Nr. 58089-
7	68315800	1	R.H. SIDE MOULDING -Not for GD- -Painted- -Valid from Ass. Nr. 58090-
7	67448400	1	L.H. SIDE MOULDING -Valid for GD- -Anodized- -Valid till Ass. Nr. 58089-
7	68316900	1	L.H. SIDE MOULDING -Valid for GD- -Painted- -Valid from Ass. Nr. 58090-

7	67922100	1	R.H. SIDE MOULDING -DARK- -Optional- -Not for GD- -Painted- -Valid from Ass. Nr. 58457-
7	67922400	1	L.H. SIDE MOULDING -DARK- -Optional- -Valid for GD- -Painted- -Valid from Ass. Nr. 58457-
8	67185200	1	L.H. SIDE R.H. MOULDING -Not for GD- -Anodized- -Valid till Ass. Nr. 58089-
8	68315400	1	L.H. SIDE R.H. MOULDING -Not for GD- -Painted- -Valid from Ass. Nr. 58090-
8	67448500	1	R.H. SIDE R.H. MOULDING -Valid for GD- -Anodized- -Valid till Ass. Nr. 58089-
8	68317100	1	R.H. SIDE R.H. MOULDING -Valid for GD- -Painted- -Valid from Ass. Nr. 58090-
8	67922200	1	L.H. SIDE R.H. MOULDING -DARK- -Optional- -Not for GD- -Painted- -Valid from Ass. Nr. 58457-
8	67922500	1	R.H. SIDE R.H. MOULDING -DARK- -Optional- -Valid for GD- -Painted- -Valid from Ass. Nr. 58457-
9	67184900	1	L.H. SIDE L.H. MOULDING -Not for GD- -Anodized- -Valid till Ass. Nr. 58089-
9	68315600	1	L.H. SIDE L.H. MOULDING -Not for GD- -Painted- -Valid from Ass. Nr. 58090-
9	67448600	1	R.H. SIDE L.H. MOULDING -Valid for GD- -Anodized- -Valid till Ass. Nr. 58089-
9	68317300	1	R.H. SIDE L.H. MOULDING -Valid for GD- -Painted- -Valid from Ass. Nr. 58090-
9	67922300	1	L.H. SIDE L.H. MOULDING -DARK- -Optional- -Not for GD- -Painted- -Valid from Ass. Nr. 58457-
9	67922600	1	R.H. SIDE L.H. MOULDING -DARK- -Optional- -Valid for GD- -Painted- -Valid from Ass. Nr. 58457-
10	66852800	1	CENTRAL AIR OUTLET PLATE -Anodized- -Valid till Ass. Nr. 58089-
10	68316000	1	CENTRAL AIR OUTLET PLATE -Painted- -Valid from Ass. Nr. 58090-
10	67921800	1	CENTRAL AIR OUTLET PLATE -DARK-

			-Optional-
			-Painted-
			-Valid from Ass. Nr. 58457-
11	67610300	1	CENTRAL FRAMEWORK
12	68120500	1	PLATE FOR RADIO
13	64460400	1	FERRARI-PININFARINA MARK
13	68401600	1	"50 YEARS USA" MARK
			-Valid for USA-
14	670927..	1	L.H. LOWER MOLDING
			-Not for GD-
14	674495..	1	R.H. LOWER MOLDING
			-Valid for GD-
15	670928..	1	CPL. BODY COMPUTER DOOR
			-Not for GD and USA-
15	674543..	1	CPL. BODY COMPUTER DOOR
			-Valid for GD-
15	682925..	1	CPL. BODY COMPUTER DOOR
			-Valid for USA-
16	673204..	1	DASHBOARD FRAME
			-Not for GD-
16	674536..	1	DASHBOARD FRAME
			-Valid for GD-
17	670014..	1	R.H. CENTRAL SIDE PANEL
			-Not for GD-
17	674548..	1	L.H. CENTRAL SIDE PANEL
			-Valid for GD-
18	676118..	1	L.H. CENTRAL SIDE PANEL
			-Not for GD-
18	674547..	1	R.H. CENTRAL SIDE PANEL
			-Valid for GD-
19	66851800	1	CROSS MEMBER SUPPORTING DASHBOARD
			-Not for GD-
19	67450300	1	CROSS MEMBER SUPPORTING DASHBOARD
			-Valid for GD-
20	66853800	5	AIR DIFFUSER
21	68124210	1	"CAMPIONI DEL MONDO 2003" MARK
21	69065010	1	"CAMPIONI DEL MONDO 2004" MARK
22	67003200	1	BRACKET
23	67189800	1	R.H. BRACKET
24	67003000	1	R.H. BRACKET
			-Not for GB-
25	679369..	1	L.H. UNDER PANEL SEAL
			-Valid for F1-
			-Not for GD-
25	681125..	1	R.H. UNDER PANEL SEAL
			-Valid for F1-
			-Valid for GD-
25	679400..	1	L.H. UNDER PANEL SEAL
			-Not for F1-
			-Not for GD-
25	681123..	1	R.H. UNDER PANEL SEAL
			-Not for F1-
			-Valid for GD-
26	679370..	1	R.H. UNDER PANEL SEAL
			-Not for GD-
26	681124..	1	L.H. UNDER PANEL SEAL
			-Valid for GD-
27	67439000	1	CROSS MEMBER FIXING BRACKET
			-Not for GD-
27	67452600	1	CROSS MEMBER FIXING BRACKET
			-Valid for GD-
28	68126800	2	AIR DIFFUSER
29	67439400	4	LATERAL SPACER
30	14308574	4	SCREW
31	12646824	4	WASHER
32	68304000	1	CLOTH
33	68961600	2	PUSH CLIP

For particular colour matchings, make order by Fax or E-m@il, specifying serial number. - See "INNER TRIMS CAR CODES" table for codes of parts covered in leather or moquette.

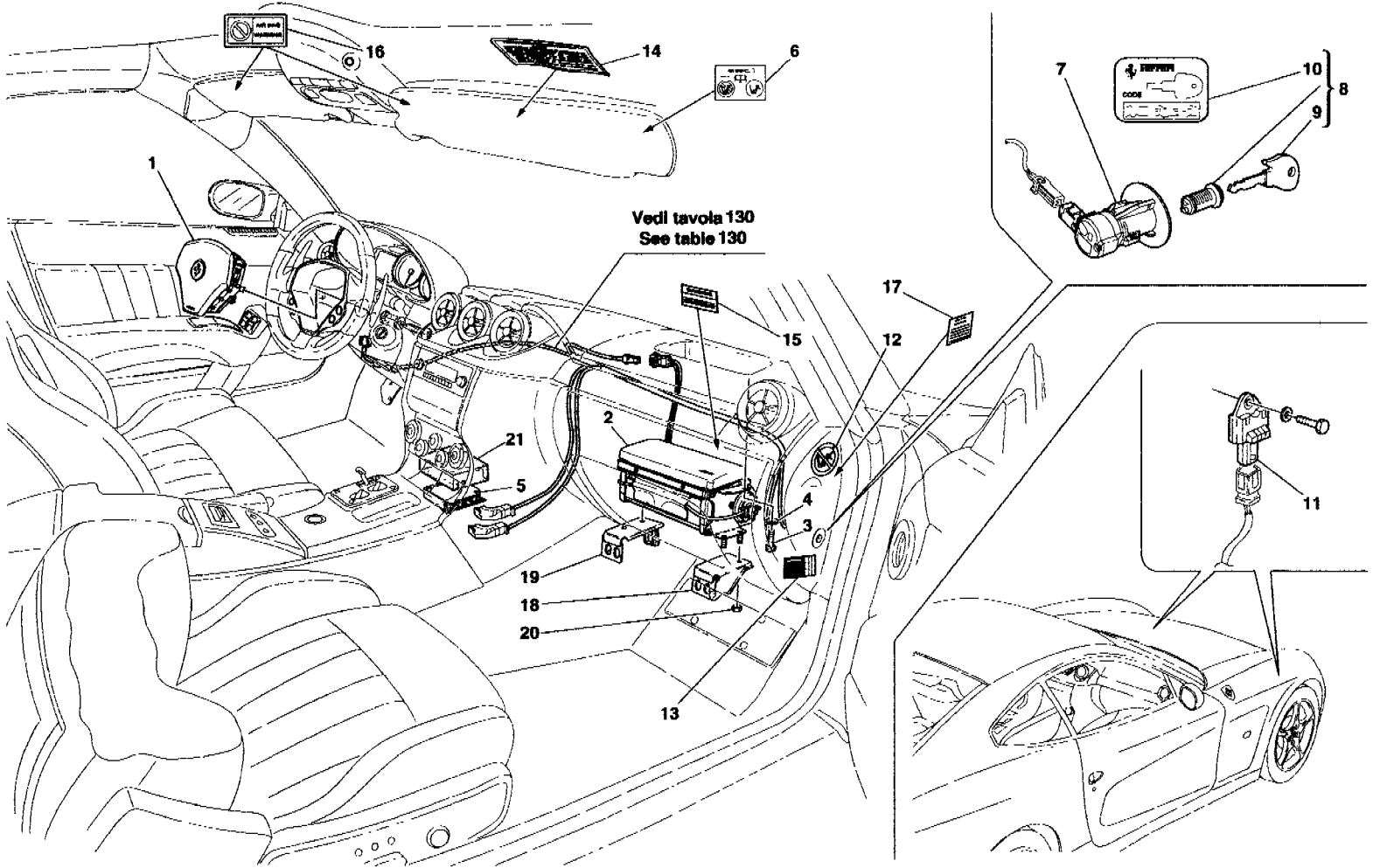
612 SCAGLIETTI - 125 - DASHBOARD DRAWER



612 SCAGLIETTI - 125 - DASHBOARD DRAWER

1	668519..	1	SHUTTER ASSEMBLY -Not for GD-
1	674530..	1	SHUTTER ASSEMBLY -Valid for GD-
2	66852100	1	DOOR FRAME -Not for GD-
2	68127000	1	DOOR FRAME -On line telephone- -Optional- -Not for GD-
2	67453500	1	DOOR FRAME -Valid for GD-
2	68127200	1	DOOR FRAME -On line telephone- -Optional- -Valid for GD-
3	191513	1	SHUTTER LOCK -Valid till stock exhaustion-
3	191572	1	SHUTTER LOCK
4	13273977	5	SCREW
5	12637878	5	WASHER
6	65847700	1	CLOVE BOX STABILUS
7	65686200	2	SCREW
8	65686300	2	WASHER
9	13579106	2	WASHER
10	66854600	1	COMPLETE HINGE
11	16285014	4	SCREW
12	16284914	3	SCREW
13	67938600	1	COMPLETE DRAWER CONTAINER -Not for GD-
13	68128700	1	COMPLETE DRAWER CONTAINER -Valid for GD-
14	188250	1	DOME LAMP
15	188266	1	PUSH BUTTON
16	68292800	1	"612 SCAGLIETTI" ORNAMENT
17	64460500	6	SCREW
18	67332500	1	R.H. STRIKER
18	67332600	1	L.H. STRIKER
19	13026121	2	SCREW
20	14370874	2	BRACKET
21	65643100	1	CUSTOMER PLATE

For particular colour matchings, make order by Fax or E-m@il, specifying serial number. - See "INNER TRIMS CAR CODES" table for codes of parts covered in leather or moquette.

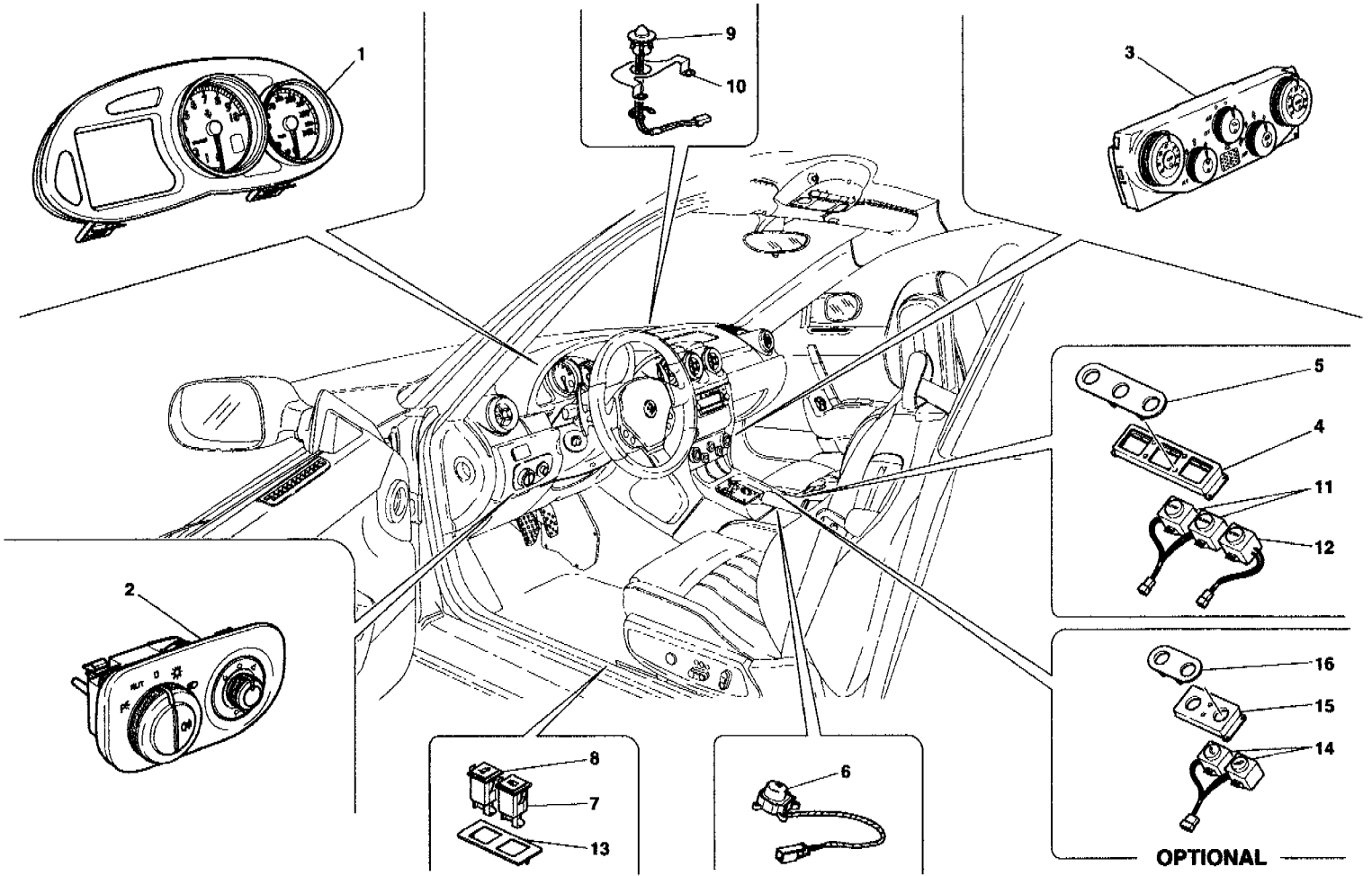


612 SCÀGLIETTI - 126 - AIR-BAG

1	668433..	1	DRIVER SIDE AIR-BAG -Not for USA e CDN- -Not as spare part- -Replaced by 68117300-
1	681173..	1	DRIVER SIDE AIR-BAG
2	679292..	1	PASSENGER SIDE AIR-BAG -Not for USA e CDN- -Not as spare part- -Replaced by 68117200-
2	681172..	1	PASSENGER SIDE AIR-BAG
3	13273911	4	SCREW
4	12637824	4	WASHER
5	191355	1	AIR-BAG SYSTEM CONTROL UNIT -Not for USA, CDN and J- -Valid till Ass. Nr. 54092-
5	209590	1	AIR-BAG SYSTEM CONTROL UNIT -Not for USA, CDN and J- -Valid from Ass. Nr. 54093- -Valid till stock exhaustion-
5	214750	1	AIR-BAG SYSTEM CONTROL UNIT -Not for USA, CDN and J- -Valid from Ass. Nr. 54093- -Valid after stock exhaustion of 209590-
5	206667	1	AIR-BAG SYSTEM CONTROL UNIT -Valid for USA, CDN and J- -Valid till stock exhaustion-
5	214752	1	AIR-BAG SYSTEM CONTROL UNIT -Valid for USA, CDN and J- -Valid after stock exhaustion of 206667-
5	197070	1	AIR-BAG SYSTEM CONTROL UNIT -Valid for cars with passenger air-bag exclusion- -Optional- -Valid till Ass. Nr. 54092-
5	209591	1	AIR-BAG SYSTEM CONTROL UNIT -Valid for cars with passenger air-bag exclusion- -Optional- -Valid from Ass. Nr. 54093- -Valid till stock exhaustion-
5	214751	1	AIR-BAG SYSTEM CONTROL UNIT -Valid for cars with passenger air-bag exclusion- -Optional- -Valid from Ass. Nr. 54093- -Valid after stock exhaustion of 209591-
6	66830800	1	EXCLUSION AIR-BAG AUTO-ADHESIVE PLATE -Valid for cars with passenger air-bag exclusion- -Optional- -Not for USA, CDN, AUS and J-
7	66226300	1	EXCLUSION AIR-BAG PLATE -Valid for cars with passenger air-bag exclusion- -Optional- -Not for GD-
7	67194600	1	EXCLUSION AIR-BAG PLATE -Valid for cars with passenger air-bag exclusion- -Optional- -Vale per GD-
8	213625	1	LOCKS SET COMPLETED WITH STEERING LOCK AND KEY -Valid for cars with passenger air-bag exclusion- -Optional-

9	207548	-	BLANK KEY
10	194003	1	CODE CARD
11	196143	2	FRONT CRASH SENSOR
12	65142000	1	AIR BAG/CHILDREN SEAT INCOMPATIBILITY PLATE -Not for USA, CDN and J-
13	65910700	1	AIR-BAG MAINTENANCE AUTO-ADHESIVE PLATE -Not for USA, CDN and J-
14	64764500	2	AIR-BAG AUTO-ADHESIVE PLATE -Not for USA, CDN and J-
15	68484600	1	AIR-BAG SYSTEM PRESENCE PLATE -Valid for USA-
16	65423700	2	AIR-BAG PRESENCE PLATE -Valid for USA, CDN and J-
16	64541500	1	AIR-BAG USING AUTO-ADHESIVE PLATE -Valid for CDN-
17	64499400	1	AIR BAG MINTENANCE PLATE -Valid for USA, CDN and J-
17	64541700	1	AIR BAG MINTENANCE PLATE -Valid for CDN-
18	67002600	1	R.H. BRACKET
19	67323500	1	L.H. BRACKET
20	14059211	4	NUT
21	191575	1	SHIELD

For particular colour matchings, make order by Fax or E-m@il, specifying serial number. - See "INNER TRIMS CAR CODES" table for codes of parts covered in leather or moquette.



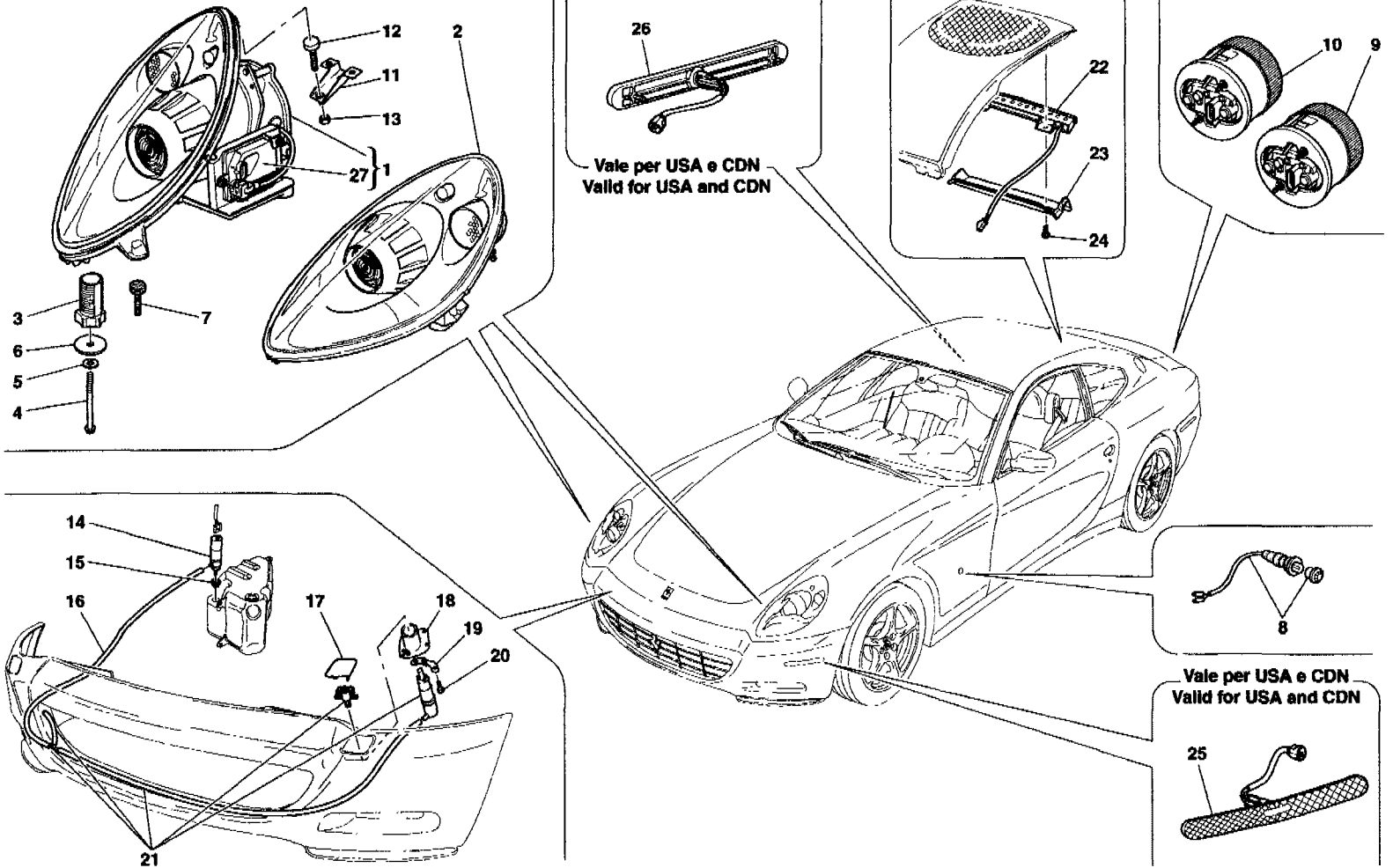
612 SCAGLIETTI - 127 - INSTRUMENTS

1	191357	1	COMPLETE INSTRUMENT BOARD -Not for USA and GB- -With kilometers odometer- -Valid till Ass. Nr. 55824- -Valid till stock exhaustion-
1	206641	1	COMPLETE INSTRUMENT BOARD -Not for USA and GB- -With kilometers odometer- -Valid from Ass. Nr. 55825- -Valid till stock exhaustion-
1	191576	1	COMPLETE INSTRUMENT BOARD -Not for USA and GB- -With kilometers odometer- -Valid from Ass. Nr. 55825-
1	191506	1	COMPLETE INSTRUMENT BOARD -Valid for USA- -With miles odometer- -Valid till Ass. Nr. 55824- -Valid till stock exhaustion-
1	206642	1	COMPLETE INSTRUMENT BOARD -Valid for USA- -With miles odometer- -Valid from Ass. Nr. 55825- -Valid till stock exhaustion-
1	191582	1	COMPLETE INSTRUMENT BOARD -Valid for USA- -With miles odometer- -Valid from Ass. Nr. 55825-
1	206643	1	COMPLETE INSTRUMENT BOARD -Valid for GB -With miles odometer- -Valid till stock exhaustion-
1	191579	1	COMPLETE INSTRUMENT BOARD -Valid for GB -With miles odometer-
1	204262	1	COMPLETE INSTRUMENT BOARD -Yellow revolution counter- -Optional- -Not for USA and GB- -With kilometers odometer- -Valid till Ass. Nr. 55824- -Valid till stock exhaustion-
1	206644	1	COMPLETE INSTRUMENT BOARD -Yellow revolution counter- -Optional- -Not for USA and GB- -With kilometers odometer- -Valid from Ass. Nr. 55825- -Valid till stock exhaustion-
1	191577	1	COMPLETE INSTRUMENT BOARD -Yellow revolution counter- -Optional- -Not for USA and GB- -With kilometers odometer- -Valid from Ass. Nr. 55825-
1	204263	1	COMPLETE INSTRUMENT BOARD -Yellow revolution counter- -Optional- -Valid for USA- -With miles odometer- -Valid till Ass. Nr. 55824- -Valid till stock exhaustion-
1	206645	1	COMPLETE INSTRUMENT BOARD -Yellow revolution counter- -Optional- -Valid for USA- -With miles odometer- -Valid from Ass. Nr. 55825-

1,	191583	1	-Valid till stock exhaustion- COMPLETE INSTRUMENT BOARD -Yellow revolution counter- -Optional- -Valid for USA- -With miles odometer-
1	206646	1	-Valid from Ass. Nr. 55825- COMPLETE INSTRUMENT BOARD -Yellow revolution counter- -Optional- -Vale per GB -With miles odometer-
1	191580	1	-Valid till stock exhaustion- COMPLETE INSTRUMENT BOARD -Yellow revolution counter- -Optional- -Vale per GB -With miles odometer-
1	205874	1	COMPLETE INSTRUMENT BOARD -Red revolution counter- -Optional- -Not for USA and GB- -With kilometers odometer-
1	206647	1	-Valid till Ass. Nr. 55824- COMPLETE INSTRUMENT BOARD -Red revolution counter- -Optional- -Not for USA and GB- -With kilometers odometer-
1	191578	1	-Valid till stock exhaustion- COMPLETE INSTRUMENT BOARD -Red revolution counter- -Optional- -Not for USA and GB- -With kilometers odometer-
1	205877	1	-Valid from Ass. Nr. 55825- COMPLETE INSTRUMENT BOARD -Red revolution counter- -Optional- -Valid for USA- -With miles odometer-
1	206648	1	-Valid till Ass. Nr. 55824- COMPLETE INSTRUMENT BOARD -Red revolution counter- -Optional- -Valid for USA- -With miles odometer-
1	191584	1	-Valid from Ass. Nr. 55825- COMPLETE INSTRUMENT BOARD -Red revolution counter- -Optional- -Valid for USA- -With miles odometer-
1	206649	1	-Valid till stock exhaustion- COMPLETE INSTRUMENT BOARD -Red revolution counter- -Optional- -Vale per GB- -With miles odometer-
1	191581	1	-Valid till stock exhaustion- COMPLETE INSTRUMENT BOARD -Red revolution counter- -Optional- -Vale per GB- -With miles odometer-
2	191966	1	PLATE FOR LIGHTS AND

2	191969	1	REARVIEW SWITCHES -Not for USA and CDN- PLATE FOR LIGHTS AND REARVIEW SWITCHES
3	66983400	1	-Valid for USA and CDN- A.C. CONTROL DASHBOARD
3	67165600	1	-With degrees ° C- A.C. CONTROL DASHBOARD
4	67171700	1	-With degrees ° C- BRACKET FOR BUTTON
5	67171800	1	DOORS LOCKING/RELEASING SWITCH PANEL PLATE
6	191356	1	EMERGENCY LIGHTS SWITCH
7	191964	1	FUEL DOOR CONTROL PUSH-BUTTON
8	191963	1	TRUNK HOOD DOOR PUSH BUTTON
9	199212	1	SUN SENSOR
10	68296600	1	SENSOR FIXING BRACKET
10	68299200	1	-Not for GD- SENSOR FIXING BRACKET
11	191971	1	-Vale per GD- DOORS LOCKING/RELEASING SWITCHS
12	195849	1	SWITCH OPENING DRAWER
13	67433400	1	INNER PLATE
14	198834	1	BUTTON -Bluetooth telephone- -Optional-
15	67849400	1	BUTTON BRACKET -Bluetooth telephone- -Optional-
16	67849200	1	PLATE -Bluetooth telephone- -Optional-

612 SCAGLIETTI - 128 - FRONT AND REAR LIGHTS



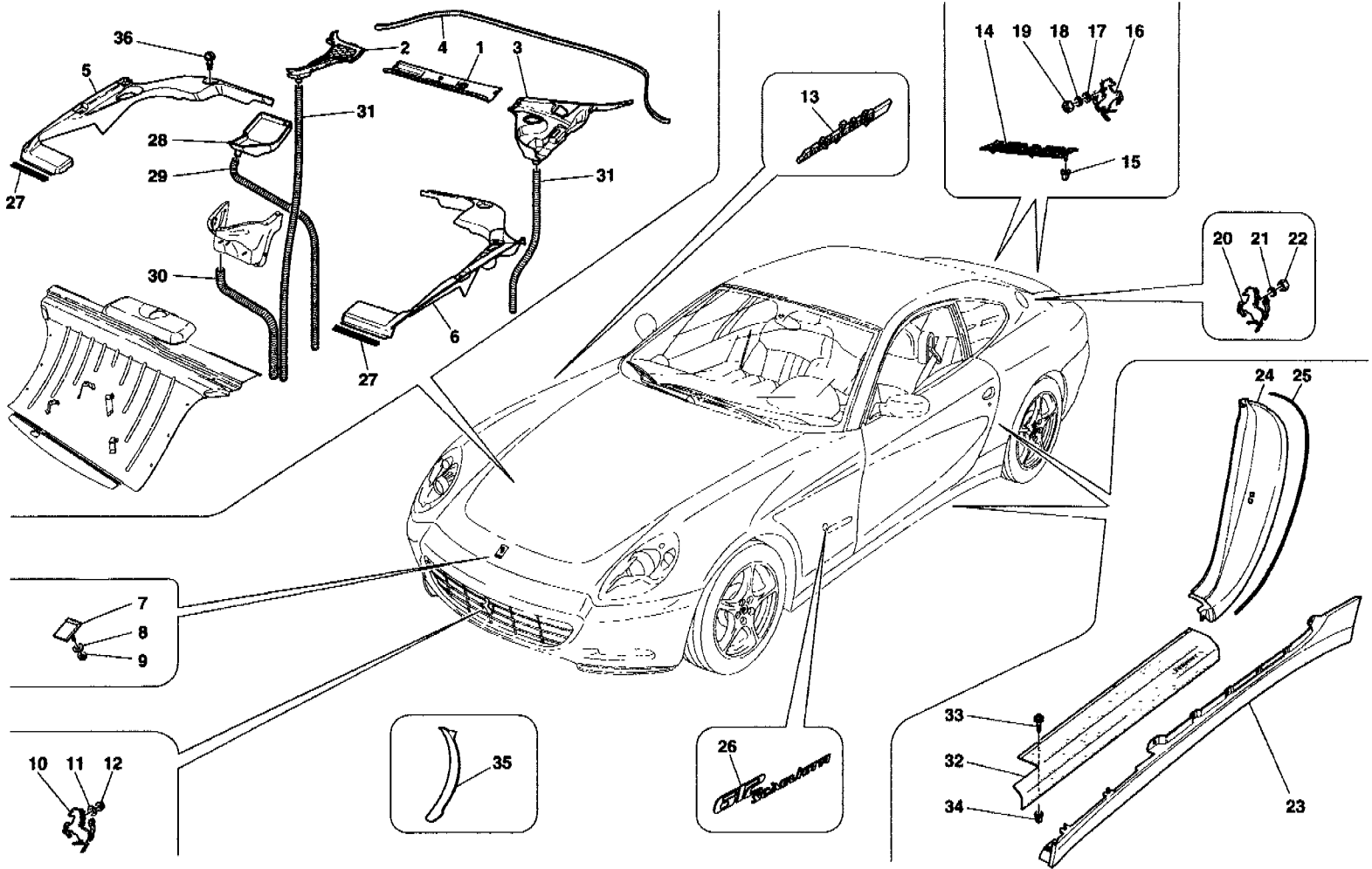
612 SCAGLIETTI - 128 - FRONT AND REAR LIGHTS

1	682691..	1	R.H. HEADLIGHT LOW/HIGH BEAM -See relevant table for paint colour- -Not for USA, CDN, J and GD-
1	687135..	1	R.H. HEADLIGHT LOW/HIGH BEAM -See relevant table for paint colour- -Valid for GD and J-
1	687137..	1	R.H. HEADLIGHT LOW/HIGH BEAM -See relevant table for paint colour- -Valid for USA e CDN-
2	682692..	1	L.H. HEADLIGHT LOW/HIGH BEAM -See relevant table for paint colour- -Not for USA, CDN, J and GD-
2	687136..	1	L.H. HEADLIGHT LOW/HIGH BEAM -See relevant table for paint colour- -Valid for GD and J-
2	687138..	1	L.H. HEADLIGHT LOW/HIGH BEAM -See relevant table for paint colour- -Valid for USA and CDN-
3	67731100	6	REGISTER
4	10903834	6	SCREW
5	12624977	6	WASHER
6	12620474	6	WASHER
7	63346800	4	PIN
8	165558	2	FRONT SIDE DIRECTION LIGHT
9	192632	1	R.H. OUTER REAR LIGHT -Not for USA and CDN-
9	193994	1	R.H. OUTER REAR LIGHT -Valid for USA and CDN-
9	192633	1	L.H. OUTER REAR LIGHT -Not for USA and CDN-
9	193995	1	L.H. OUTER REAR LIGHT -Valid for USA and CDN-
10	192630	1	R.H. INNER REAR LIGHT -Not for USA and CDN-
10	193992	1	R.H. INNER REAR LIGHT -Valid for USA and CDN-
10	192631	1	L.H. INNER REAR LIGHT -Not for USA and CDN-
10	193993	1	L.H. INNER REAR LIGHT -Valid for USA and CDN-
11	191526	2	BRACKET
12	14654995	4	SCREW
13	14059111	4	NUT
14	66285700	1	HEADLIGHTS WASHER PUMP -Not for USA and CDN-
15	65775100	1	GASKET -Not for USA and CDN-
16	66981600	1	PIPE FROM PUMP TO UNION -Not for USA and CDN-
17	67008300	1	L.H. PLUG -Not for USA and CDN-
17	67008200	1	R.H. PLUG -Not for USA and CDN-
18	66223700	2	BUSHING FIXING HEADLIGHTS WASHER -Not for USA and CDN-
19	66223800	2	SMALL KEY FOR BUSHING -Not for USA and CDN-
20	16285127	6	SCREW -Not for USA and CDN-
21	67008400	1	TELESCOPIC SYSTEM WITH PIPES -Not for USA and CDN-

22	202091	1	ADDITIONAL STOP LIGHT
23	67622900	1	ADDITIONAL STOP LIGHT SHIELD
24	16083501	4	SCREW
25	191503	2	FRONT SIDE-MARKER LAMP -Valid for USA and CDN-
26	191504	2	REAR SIDE-MARKER LIGHT -Valid for USA and CDN-
27	213502	2	"BALLAST" CONTROL STATION

See "COLOUR TABLE" for codes of painted parts.

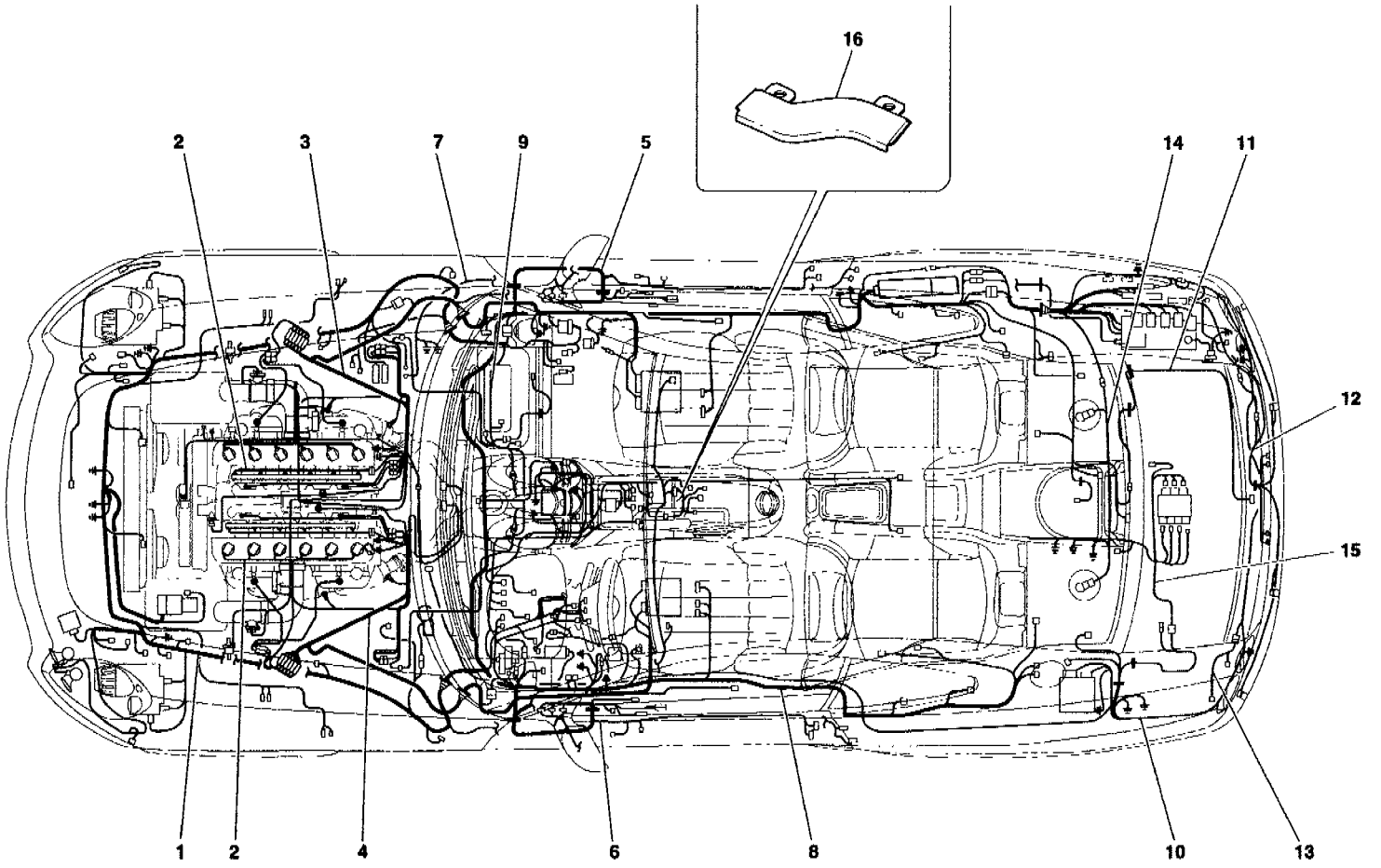
612 SCAGLIETTI - 129 - OUTSIDE FINISHINGS



612 SCAGLIETTI - 129 - OUTSIDE FINISHINGS

1	67095900	1	CENTRAL TAIL WINDSHIELD PLATE -Not for GD-
1	67842700	1	CENTRAL TAIL WINDSHIELD PLATE -Valid for GD-
2	67182500	1	R.H. TAIL WINDSHIELD PLATE -Not for GD-
2	67842300	1	R.H. TAIL WINDSHIELD PLATE -Valid for GD-
3	66855300	1	L.H. TAIL WINDSHIELD PLATE -Not for GD-
3	67842200	1	L.H. TAIL WINDSHIELD PLATE -Valid for GD-
4	66855400	1	TAIL WINDSHIELD GASKET -Not as spare part- -Replaced by 66977700-
4	66977700	1	TAIL WINDSHIELD GASKET
5	67629200	1	R.H. SHIELD FOR MOTOR PROTECTION
6	67629300	1	L.H. SHIELD FOR MOTOR PROTECTION
7	62673100	1	FRONT ORNAMENT -Not as spare part- -Replaced by 65394800-
7	65394800	1	FRONT ORNAMENT
8	12638124	1	WASHER -Not as spare part- -Replaced by 10519378-
8	10519378	1	WASHER
9	113647	1	NUT -Not as spare part- -Replaced by 169180-
9	169180	1	NUT
10	67165200	1	CAVALLINO RAMPANTE
11	12600474	2	WASHER
12	16101715	2	NUT
13	64780500	2	PININFARINA ORNAMENT -Not as spare part- -Replaced by 68292600-
13	68292600	1	PININFARINA ORNAMENT -R.h. side-
14	63482200	1	"FERRARI" MARK
15	60324506	3	CLIP
16	63233900	1	REAR CAVALLINO
17	10519224	2	WASHER
18	60995100	2	RUBBER RING
19	62790300	2	NUT
20	67840500	1	CAVALLINO RAMPANTE
21	12600474	1	WASHER
22	16101721	1	NUT
23	66859110	1	R.H. CROSSMEMBER COVER
23	66859210	1	L.H. CROSSMEMBER COVER
24	66989211	1	COVER FOR R.H. DOOR STRIP
24	66989311	1	COVER FOR L.H. DOOR STRIP
25	66971900	2	DOOR STRIP GASKET
26	68292700	1	"612 SCAGLIETTI" ORNAMENT -L.h. side-
27	68302100	2	GASKET
28	68116100	1	WATER OUTLET PAN
29	65992600	1	WATER EXHAUST TUBE
30	67620600	1	WATER EXHAUST TUBE
31	67620500	2	WATER EXHAUST TUBE FOR
32	66972000	1	COVERING FOR R.H. SIDE MEMBER
32	66972100	1	COVERING FOR L.H. SIDE MEMBER
33	15688875	6	SCREW
34	14115480	6	BLOCK
35	68297200	1	R.H. FRONT WHEELHOUSE

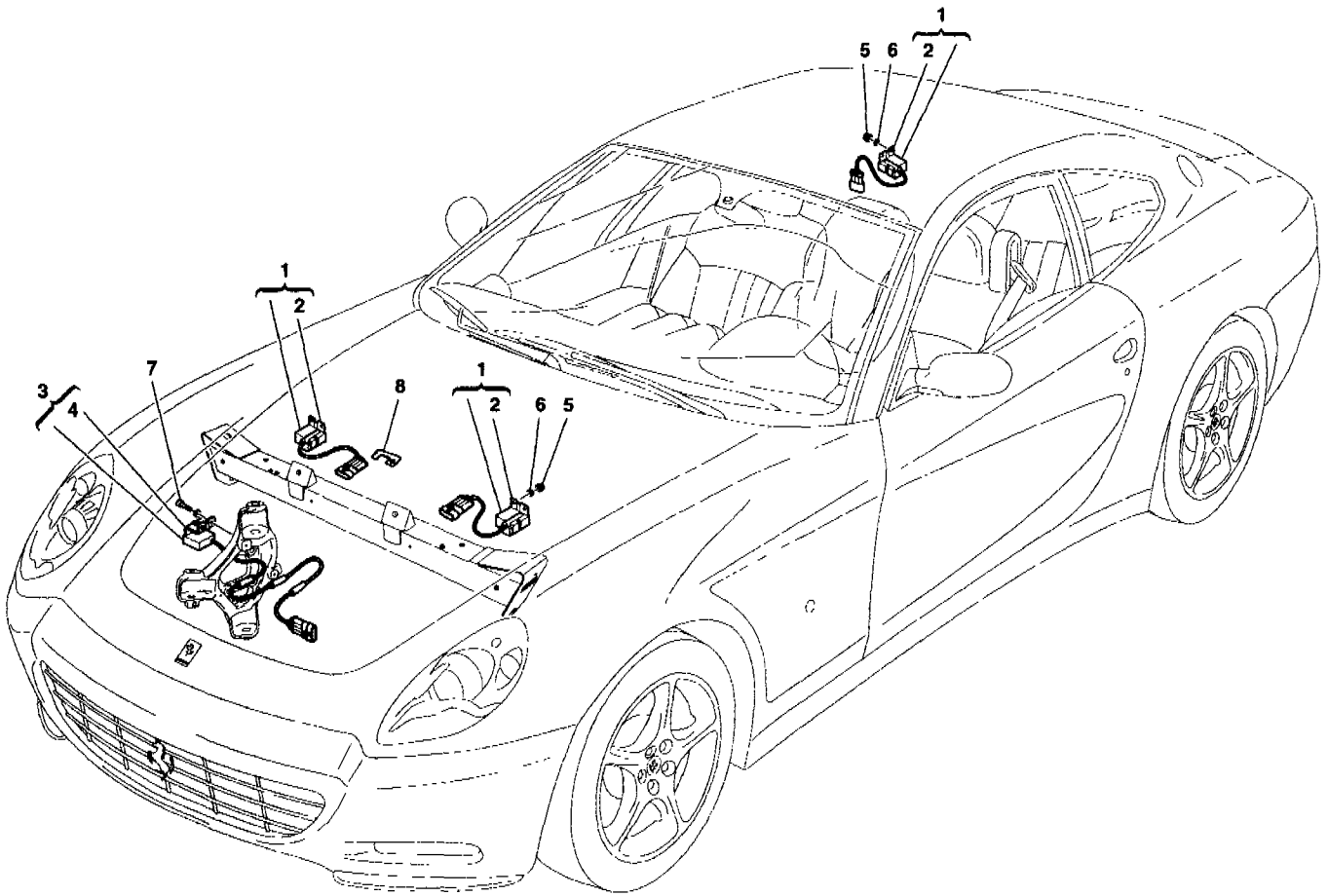
35	68297300	1	ADHESIVE PROTECTION L.H. FRONT WHEELHOUSE
35	68297400	1	ADHESIVE PROTECTION R.H. FRONT CROSSMEMBER COVER
35	68297500	1	ADHESIVE PROTECTION L.H. FRONT CROSSMEMBER COVER
35	68297600	1	ADHESIVE PROTECTION R.H. UPPER REAR BUMPER ADHESIVE PROTECTION
35	68297700	1	ADHESIVE PROTECTION L.H. UPPER REAR BUMPER ADHESIVE PROTECTION
35	68299300	1	R.H. LOWER REAR BUMPER ADHESIVE PROTECTION
35	68299400	1	L.H. LOWER REAR BUMPER ADHESIVE PROTECTION
36	65970500	4	BUTTON WITH PIN



612 SCAGLIETTI - 130 - ELECTRICAL SYSTEM

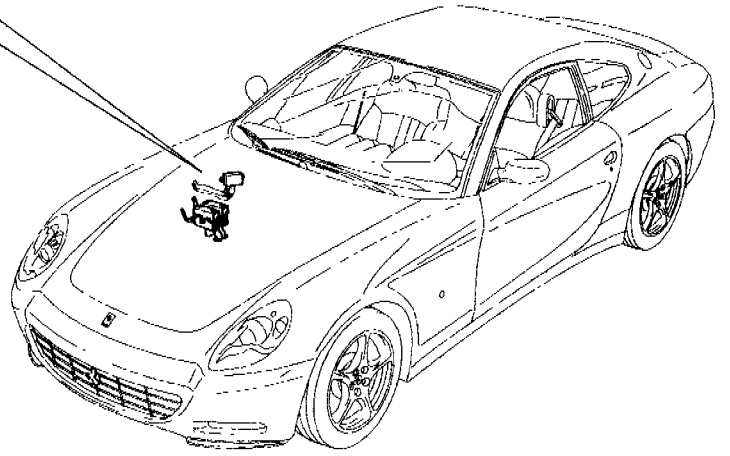
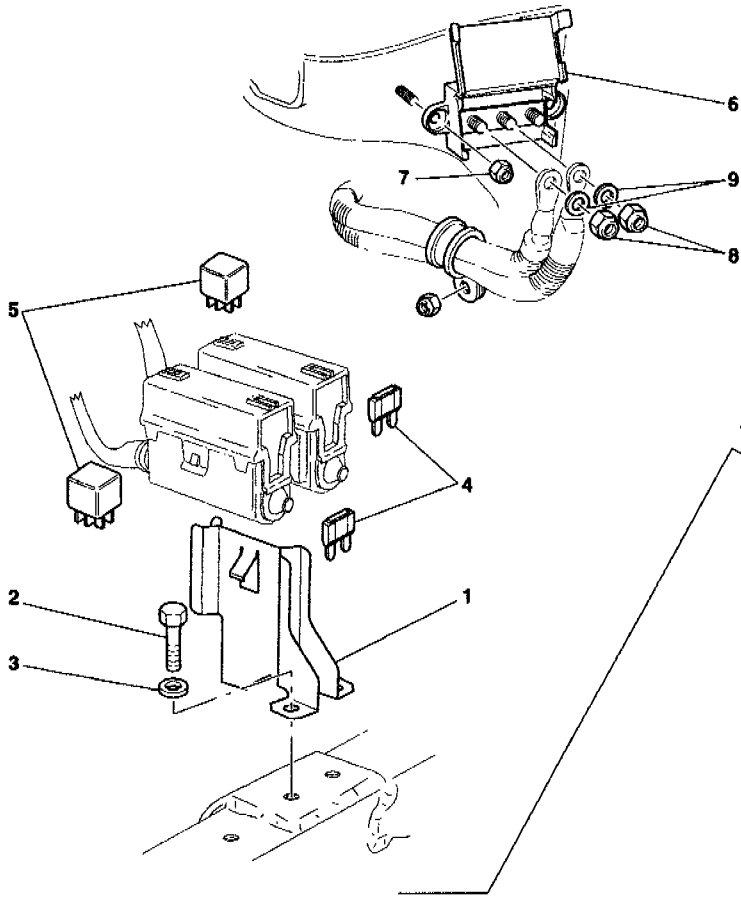
1	203167	1	CONNECTION CABLES FOR MOTOR DEVICES
1	201107	1	CONNECTION CABLES FOR MOTOR DEVICES -Not for GD-
2	201332	2	INJECTORS CONNECTING CABLES
3	192557	1	R.H. SIDE ENGINE CONNECTING CABLES -Not for USA, CDN and GD-
3	205694	1	R.H. SIDE ENGINE CONNECTING CABLES -Valid for USA and CDN-
3	206658	1	R.H. SIDE ENGINE CONNECTING CABLES -Valid for GD-
4	192558	1	L.H. SIDE ENGINE CONNECTING CABLES -Not for USA, CDN and GD-
4	205695	1	L.H. SIDE ENGINE CONNECTING CABLES -Valid for USA and CDN-
4	201432	1	L.H. SIDE ENGINE CONNECTING CABLES -Valid for GD-
5	205258	1	PASSENGER SIDE DOOR CONNECTION CABLES -Not for GD-
5	201109	1	PASSENGER SIDE DOOR CONNECTION CABLES -Valid for GD-
6	205259	1	DRIVER SIDE DOOR CONNECTION CABLES -Not for GD-
6	201108	1	DRIVER SIDE DOOR CONNECTION CABLES -Valid for GD-
7	194335	1	BATTERY CABLE -Not for GD-
7	205689	1	BATTERY CABLE -Valid for GD-
8	205778	1	PASSENGERS COMPARTMENT CABLE -Not for GD-
8	191559	1	PASSENGERS COMPARTMENT CABLE -Valid till Ass. Nr. 55824-
8	206659	1	PASSENGERS COMPARTMENT CABLE -Not for GD-
8	215912	1	PASSENGERS COMPARTMENT CABLE -Valid from Ass. Nr. 55825-
8	205715	1	PASSENGERS COMPARTMENT CABLE -Valid for GD-
8	215912	1	PASSENGERS COMPARTMENT CABLE -Valid for satellite anti-theft kit-
9	205715	1	DASHBOARD CABLE -Not for GD-
9	191560	1	DASHBOARD CABLE -Valid till Ass. Nr. 55824-
9	206657	1	DASHBOARD CABLE -Not for GD-
9	206657	1	DASHBOARD CABLE -Valid from Ass. Nr. 55825-
10	204459	1	TRUNK COMPARTMENT CABLE -Valid for GD-
10	204459	1	TRUNK COMPARTMENT CABLE -Valid for F1-
10	213891	1	TRUNK COMPARTMENT CABLE -Not as spare part-
10	213891	1	TRUNK COMPARTMENT CABLE -Replaced by 213891-
10	203231	1	TRUNK COMPARTMENT CABLE -Valid for F1-
10	203231	1	TRUNK COMPARTMENT CABLE

			-Not for F1-
			-Not as spare part-
			-Replaced by 213892-
10	213892	1	TRUNK COMPARTMENT CABLE
			-Not for F1-
11	192549	1	TAIL GATE CABLE
12	192553	1	CABLES FOR NUMBER PLATE LIGHTS
			-Not for USA and CDN-
12	193985	1	CABLES FOR NUMBER PLATE LIGHTS
			-Valid for USA and CDN-
12	193984	1	CABLES FOR NUMBER PLATE LIGHTS
			-With parking sensor-
			-Optional-
			-Not for USA and CDN-
12	193986	1	CABLES FOR NUMBER PLATE LIGHTS
			-With parking sensor-
			-Optional-
			-Valid for USA and CDN-
13	193988	2	REAR LIGHT CABLE
			-Not for USA and CDN-
13	193989	2	REAR LIGHT CABLE
			-Valid for USA and CDN-
14	194334	1	FUEL TANK CABLE
15	192556	1	CABLES FOR F1 TRANSMISSION CONNECTION
			-Valid for F1-
16	191541	1	CONTOUR



612 SCAGLIETTI - 131 - ACCELERATION SENSORS

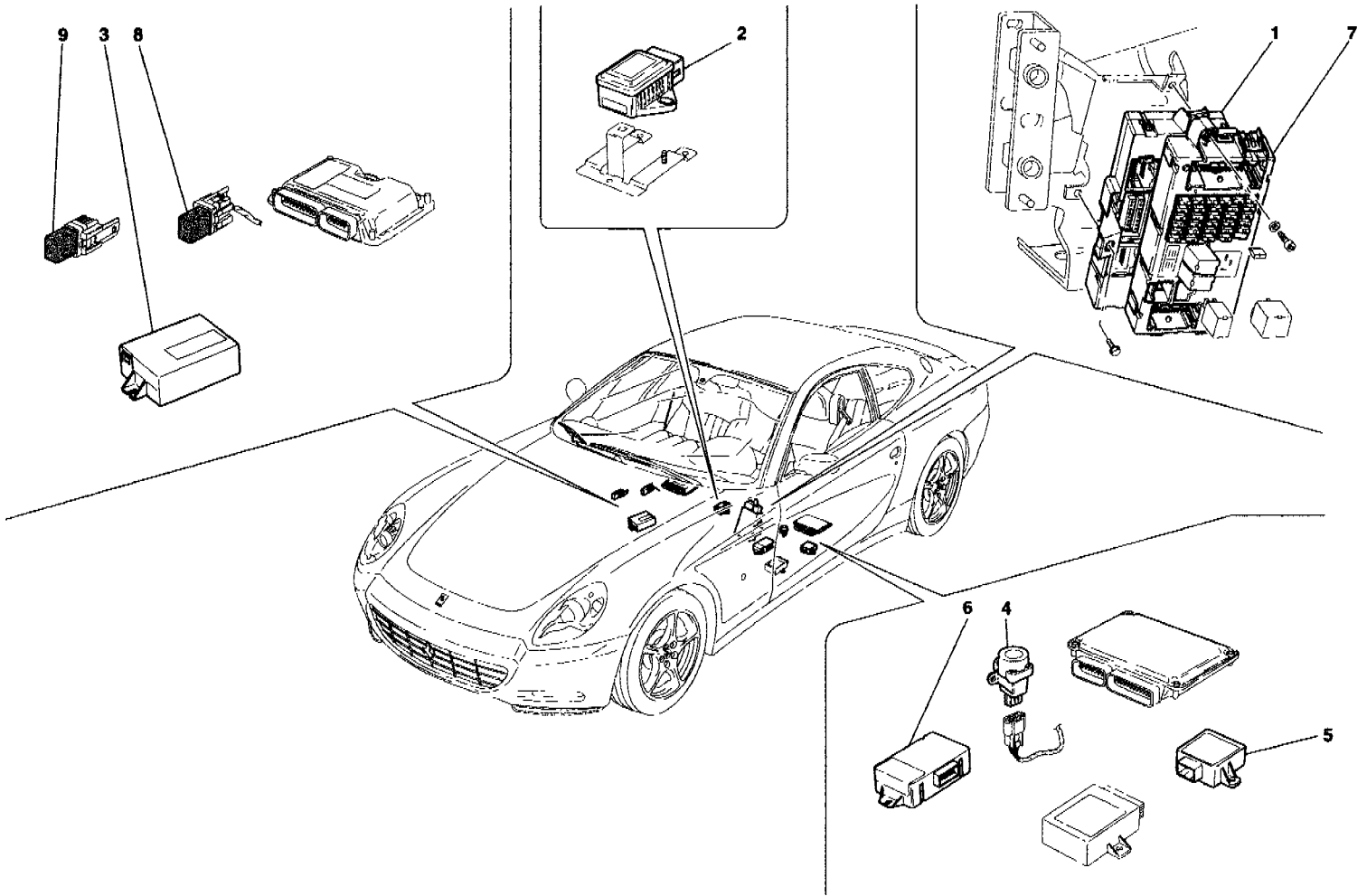
1	198773	3	R.H., L.H. FRONT AND REAR VERTICAL ACCELERATION SENSOR
2	184127	3	PLATE
3	198894	2	WHEEL VERTICAL ACCELERATION SENSOR
4	198893	1	PLATE
5	169180	6	NUT
6	12637824	6	WASHER
7	190870	2	SCREW
8	162606	2	CLIP



612 SCAGLIETTI - 132 - MOTOR COMPARTMENTS CONTROL STATIONS

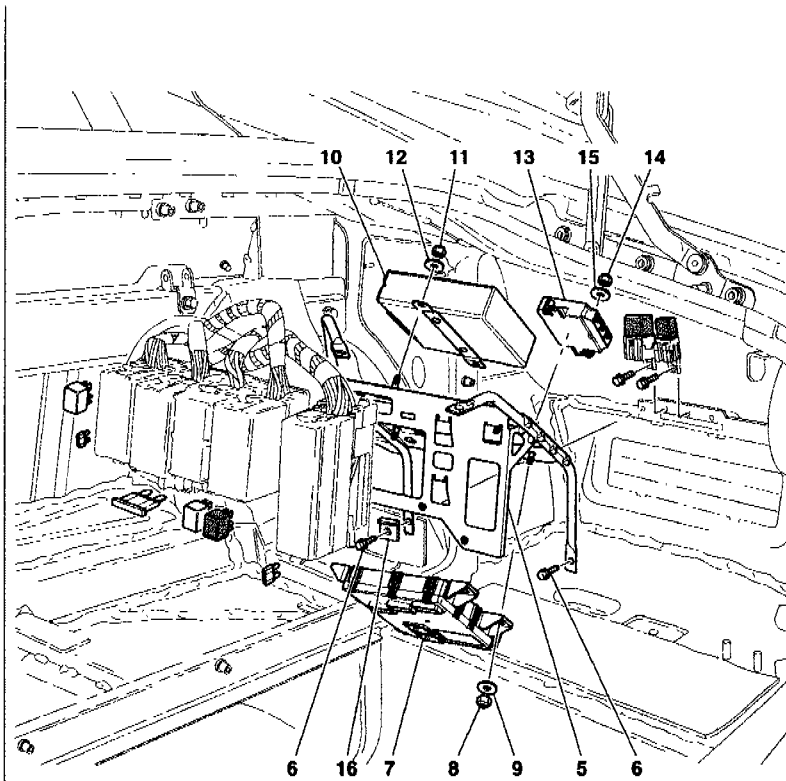
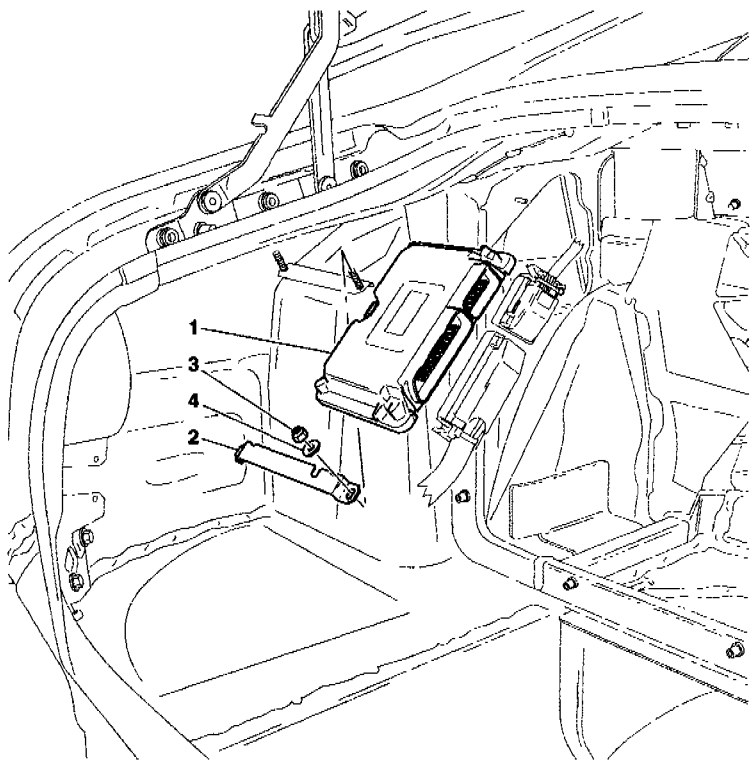
1	191514	1	BRACKET -Not for GD-
1	191549	1	BRACKET -Valid for GD-
2	16286124	2	SCREW
3	12620474	2	WASHER
4	166835	3	FUSE 40 A.
4	172871	2	FUSE 60 A.
4	169438	1	FUSE 20 A.
5	-	3	RELAY 50 A.
6	170114	1	COMPLETE TERMINAL BOX
7	14059214	2	NUT
8	104030	3	NUT
9	10519224	3	WASHER

612 SCAGLIETTI - 133 - PASSENGERS COMPARTMENT CONTROL STATIONS



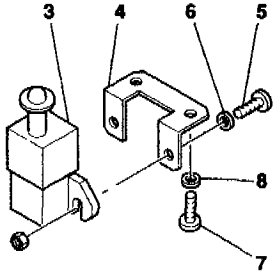
612 SCAGLIETTI - 133 - PASSENGERS COMPARTMENT CONTROL STATIONS

1	205338	1	BODY COMPUTER UNIT -Not as spare part- -Replaced by 209877-
1	209877	1	BODY COMPUTER UNIT
2	188172	1	VAW SENSOR
3	193111	1	ROOF CONTROL STATION
4	163675	1	INERTIAL SWITCH
5	188788	1	HYDRAULIC STEERING CONTROL ELECTRIC UNIT
6	204958	1	WIPER CONTROL STATION
7	190831	1	DASHBOARD UNIT
8	216065	1	DASHBOARD GLOVE BOX RELAY
9	216065	1	ABS RELAY



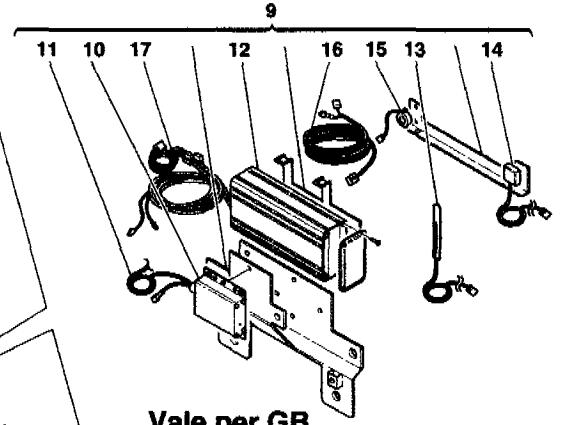
612 SCAGLIETTI - 134 - TRUNK BOTTOM CONTROL STATIONS

1	195070	1	GEARBOX CONTROL UNIT -Valid for F1- -Valid till engine Nr. 90177- -Not as spare part-
1	216392	1	GEARBOX CONTROL UNIT -Valid for F1- -Valid from engine Nr. 90178 (gearbox Nr. 3)-
2	191530	1	F1 CONTROL STATION SUPPORTING BRACKET -Valid for F1-
3	14059214	2	NUT -Valid for F1-
4	12620374	2	WASHER -Valid for F1-
5	191517	1	CONTROL STATIONS SUPPORTING BRACKET
6	16297024	2	SCREW
7	191360	1	TRUNK BOTTOM CONTROL STATION
8	102948	4	NUT
9	12637824	4	WASHER
10	205620	1	SKYHOOK CONTROL STATION
11	169180	2	NUT
12	12637824	2	WASHER
13	203963	1	PARKING SENSOR CONTROL STATION -Parking sensor- -Optional-
14	15896411	1	NUT -Parking sensor- -Optional-
15	13579101	1	WASHER -Parking sensor- -Optional-
16	191522	2	BRACKET

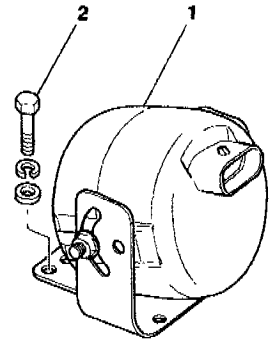
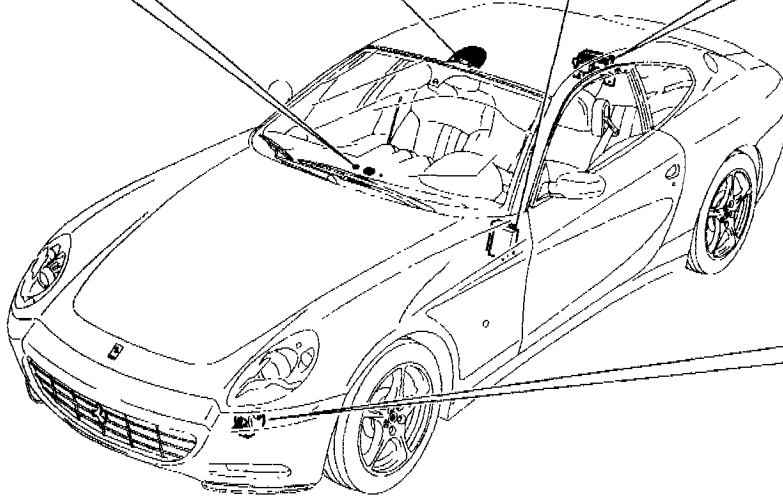


Vedi tavola 112
See table 112

Vedi tavola 133
See table 133

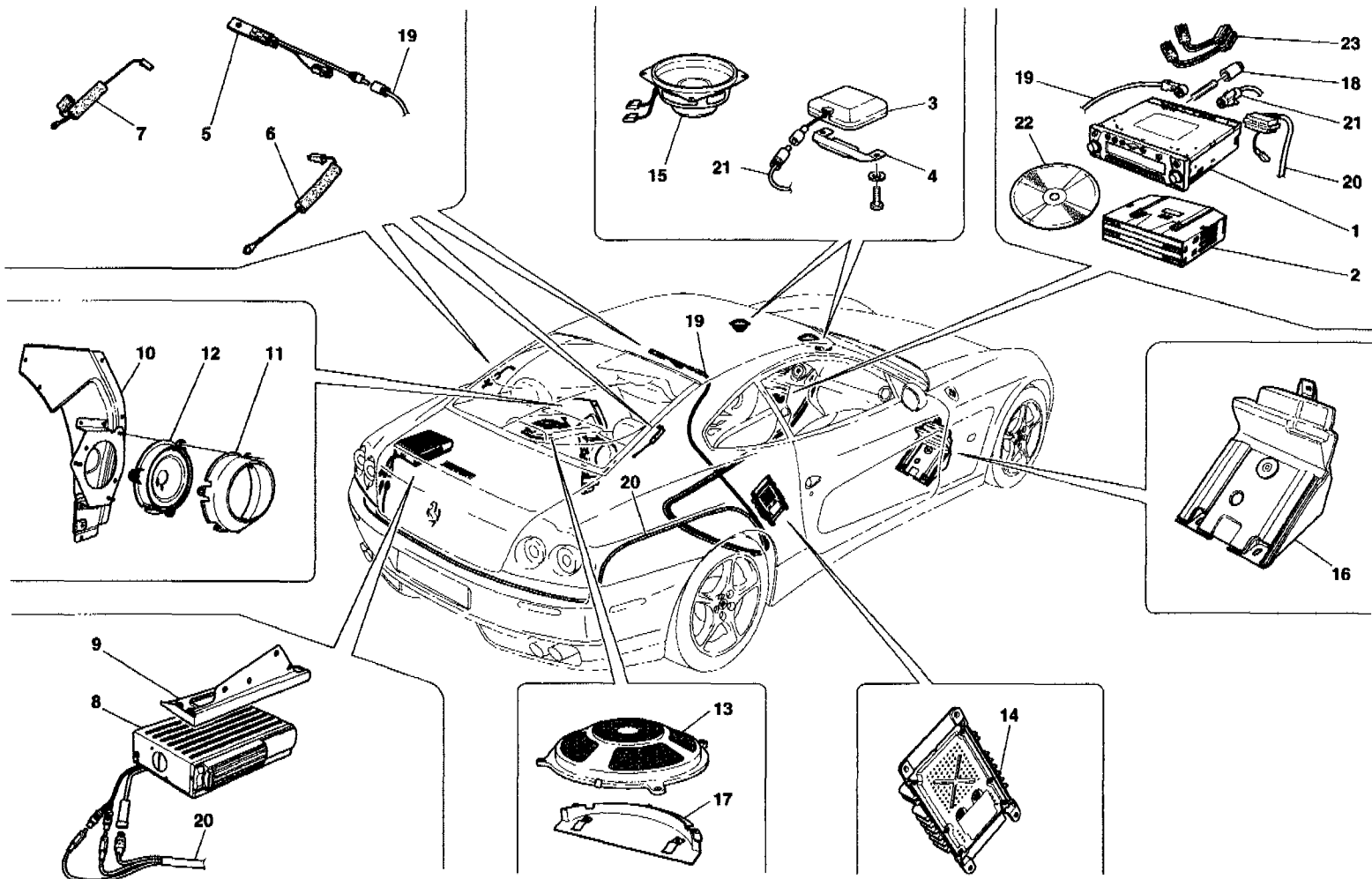


Vale per GB
Valid for GB



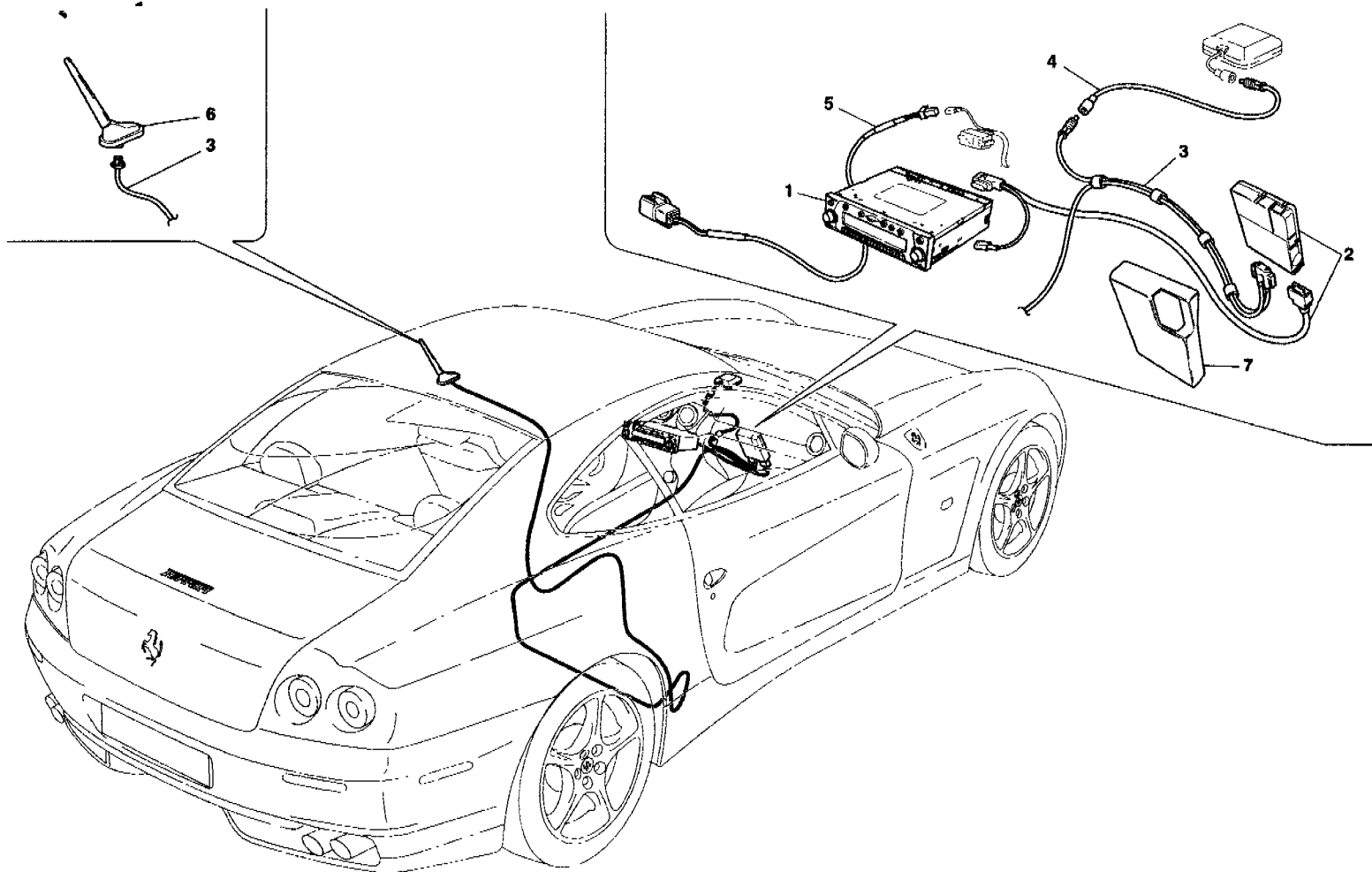
612 SCAGLIETTI - 135 - ANTI-THEFT ELECTRICAL BOARDS AND DEVICES

1	201541	1	COMPLETE CONTROL STATION SIREN ANTI-THEFT DEVICE
2	13836971	1	SCREW
3	188253	1	BICOLOR INFOLED
4	67323600	1	BRACKET -Not as spare part- -Replaced by 68296700-
4	68296700	1	BRACKET
5	15643970	2	SCREW
6	10615370	2	WASHER
7	13273911	2	SCREW
8	12637824	2	WASHER
9	216112	1	SATELLITE ANTI-THEFT KIT -Valid for GB-
10	216096	1	ADR UNIT CONTROL STATION -Valid for GB-
11	216103	1	ANTENNA CABLE -Valid for GB-
12	216095	1	AEM400DLU CONTROL STATION -Valid for GB-
13	216099	1	GSM ANTENNA -Valid for GB-
14	216098	1	GPS ANTENNA -Valid for GB-
15	216101	1	BUZZER -Valid for GB-
16	216102	1	CABLES FOR BUZZER -Valid for GB-
17	216104	1	FEED CABLES -Valid for GB-



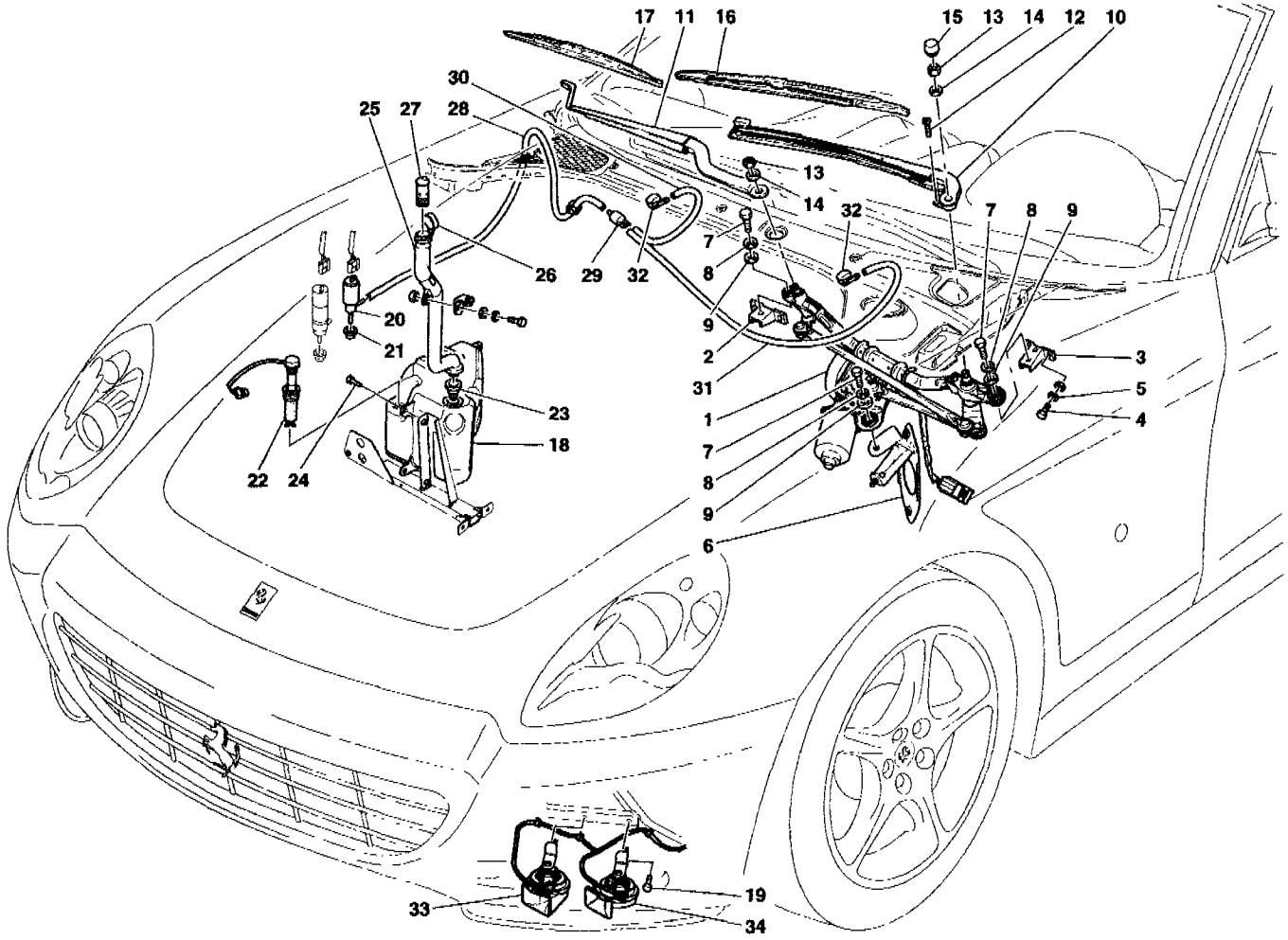
612 SCAGLIETTI - 136 - STEREO EQUIPMENT - GPS

1	200971	1	CAR STEREO
1	200966	1	GPS CAR NAVIGATOR -Optional- -Not for USA-
1	189438	1	GPS CAR NAVIGATOR -Optional- -Valid for USA-
2	67847600	1	CD CONTAINER
3	201356	1	GPS ANTENNA -Optional-
4	189920	1	BRACKET FOR ANTENNA FIXING -Optional-
5	191500	1	AMPLIFIER FOR ANTENNA
6	195318	1	REAR-WINDOW AM MASS FILTER
7	193272	1	REAR-WINDOW AM FEED FILTER
8	194414	1	CD CHARGER
9	67437500	1	BRACKET FOR CD CHARGER
10	67436400	1	R.H. LATERAL MOULDING
10	67436500	1	L.H. LATERAL MOULDING
11	67179500	1	R.H. SOUND CONVEYOR
11	67449100	1	L.H. SOUND CONVEYOR
12	191369	2	LOUD SPEAKER WOOFER
13	191364	1	LOUD SPEAKER WOOFER
14	191363	1	SOUND AMPLIFIER
15	199602	1	CENTRAL LOUD SPEAKER TWIDDLER
15	199603	2	LATERAL LOUD SPEAKER TWIDDLER
16	66786700	1	BASSBOX BOSE WITH LOUD SPEAKER -Not as spare part- -Replaced by 68178900-
16	68178900	1	BASSBOX BOSE WITH LOUD SPEAKER
17	67430000	1	CONVEYOR
18	68128800	1	PIN
19	191501	1	ANTENNA CABLE TO CAR STEREO
20	199218	1	CD CHARGER CABLE
21	201357	1	ANTENNA GPS EXTENSION
21	206674	1	ANTENNA GPS EXTENSION -On line telephone- -Optional-
22	201115	1	CD ROM FOR EUROPE
22	201116	1	CD ROM FOR USA
23	215955	1	CABLE



612 SCAGLIETTI - 137 - TELEPHONE GPS ON-LINE PRO MODULE

1	206749	1	INFOTAINMENT FERRARI -Valid till stock exhaustion-
1	214755	1	INFOTAINMENT FERRARI
2	212454	1	MODULBOX GSM-GPS
3	198836	1	ANTENNA CABLE -Valid till car Nr. 139579-
3	211244	1	ANTENNA CABLE -Valid from car Nr. 139580-
4	206674	1	EXTENSION
5	198796	1	CABLE FOR RADIOTELEPHONE ONLINE
5	198795	1	CABLE FOR TELEPHONE -Bluetooth telephone- -Optional-
6	183667	1	ANTENNA -Valid till car Nr. 139579-
6	210907	1	ANTENNA -Valid from car Nr. 139580-
7	68126900	1	CONTROL STATION COVER -Not for GD-
7	68127100	1	CONTROL STATION COVER -Valid for GD-



612 SCAGLIETTI - 138 - WINDSCREEN WIPER, WINDSCREEN WASHER AND HORNS

1	67742400	1	COMPLETE WINDSHIELD WIPER LEVERAGE -Not for GD-
1	67842900	1	COMPLETE WINDSHIELD WIPER LEVERAGE -Valid for GD-
2	67329300	1	CENTRAL BRACKET -Not for GD-
2	67843400	1	CENTRAL BRACKET -Valid for GD-
3	67158100	1	SIDE BRACKET -Not for GD-
3	67843500	1	SIDE BRACKET -Valid for GD-
4	16043324	4	SCREW
5	12625224	4	WASHER
6	67158000	1	WINDSHIELD WIPER MOTOR FASTENING BRACKET -Not for GD-
6	67843600	1	WINDSHIELD WIPER MOTOR FASTENING BRACKET -Valid for GD-
7	10902724	3	SCREW
8	11194674	3	WASHER
9	14498804	3	WASHER -Not as spare part- -Replaced by 12640624-
9	12640624	3	WASHER
10	67264600	1	DRIVER SIDE ARM -Not for GD-
10	67843000	1	DRIVER SIDE ARM -Valid for GD-
11	67264700	1	PASSENGER SIDE ARM -Not for GD-
11	67843100	1	PASSENGER SIDE ARM -Valid for GD-
12	67929800	1	SCREW
13	12164714	2	NUT -Not as spare part- -Replaced by 10791014-
13	10791014	2	NUT
14	65917600	2	WASHER -Not as spare part- -Replaced by 12601474-
14	12601474	2	WASHER
15	15811887	2	BOOT
16	67264800	1	DRIVER SIDE WIPER BRUSH -Not for GD-
16	67843200	1	DRIVER SIDE WIPER BRUSH -Valid for GD-
17	66981000	1	PASSENGER SIDE WIPER BRUSH -Not for GD-
17	67843300	1	PASSENGER SIDE WIPER BRUSH -Valid for GD-
18	67892700	1	WINDSHIELD WIPER AND HEAD LIGHT WASHER CONTAINER -Not for USA and CDN-
18	67892800	1	WINDSHIELD WIPER CONTAINER -Valid for USA and CDN-
19	13836971	2	SCREW
20	65358700	1	WIPER PUMP
21	65775100	1	GASKET
22	65758700	1	LIQUID SENSOR
23	65581700	1	GASKET
24	13836971	4	SCREW
25	67892900	1	FILLER TUBE
26	66421300	1	PLUG
27	66421400	1	FILTER

28	66981300	1	PIPE FROM ELECTRIC PUMP TO VALVE
29	61648100	1	NONRETURN VALVE
30	66981400	1	PIPE FROM VALVE TO R.H. JET
31	66981500	1	PIPE FROM VALVE TO L.H. JET
32	65191000	2	JET FOR WINDOW WASHING
33	191456	1	R.H. ELECTRO-PNEUMATIC HORN
34	193982	1	L.H. ELECTRO-PNEUMATIC HORN