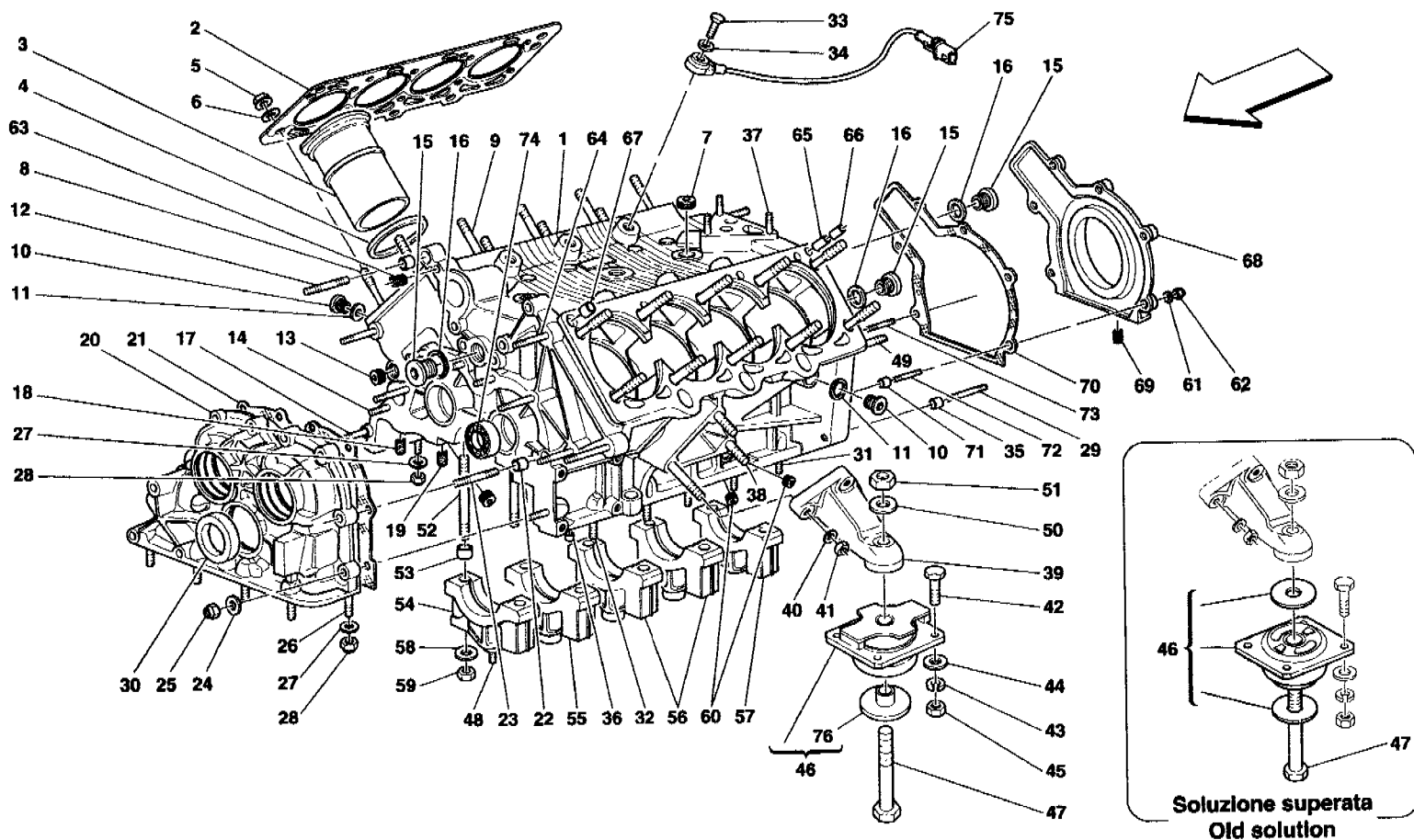


**360 COUPE**

360 Modena - 1 - CRANKCASE



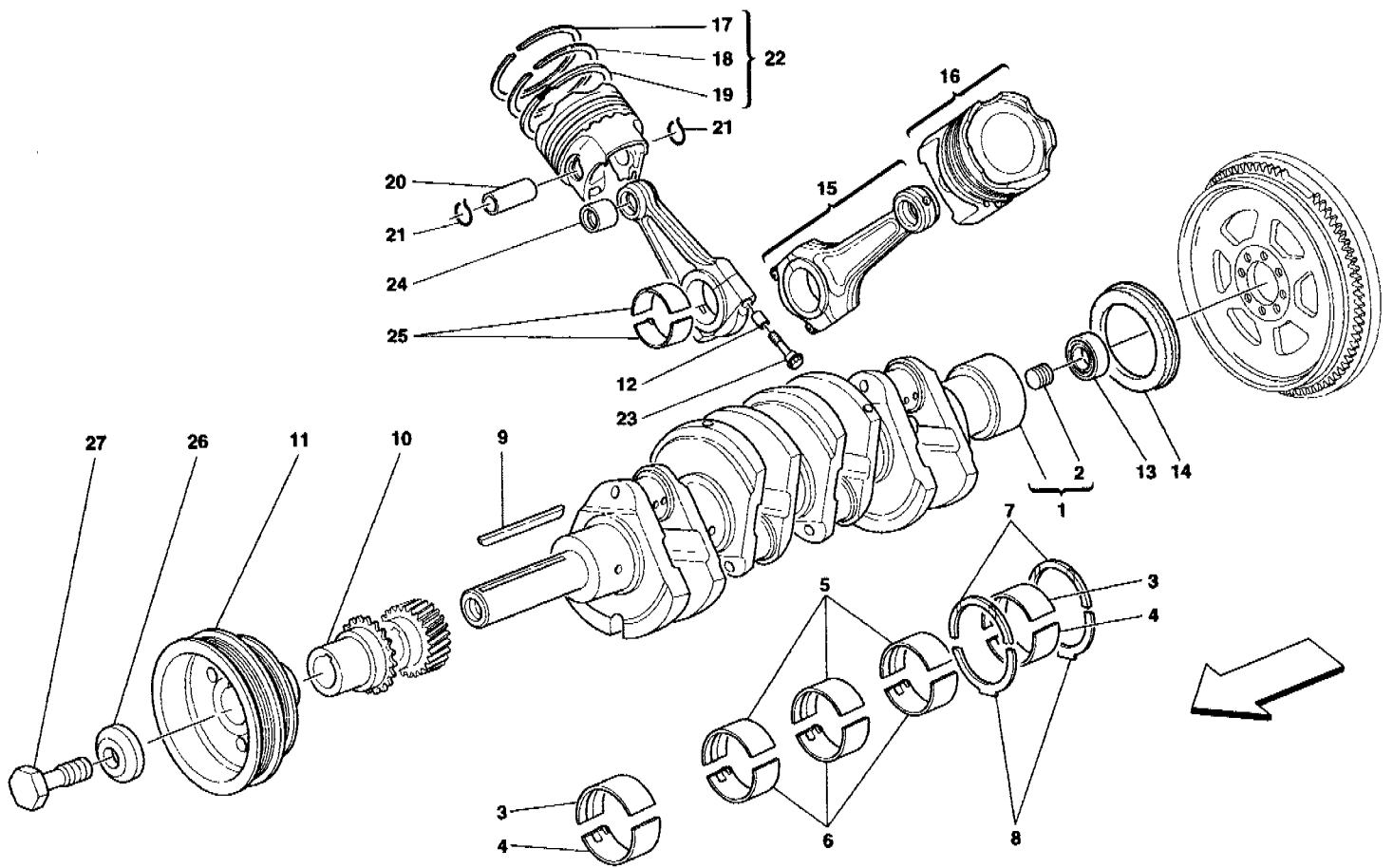
## 360 Modena - 1 - CRANKCASE

*	180656	1	COMPLETE CRANKCASE
1	173885	1	CRANKCASE -Not as spare part- -With the complete crankcase-
2	174853	2	GASKET
3	136875	8	CYLINDERS LINER
4	136258	8	GASKET
5	148093	20	NUT
6	176208	8	WASHER -Crankcase front and rear side-
6	151117	12	WASHER -Crankcase central side-
7	14325540	3	THREADED PLUG
8	176148	8	STUD -Crankcase front and rear side-
9	148311	12	STUD -Crankcase central side-
10	150731	2	WATER OUTLET PLUG -Not as spare part- -Replaced by 200988-
10	200988	2	WATER OUTLET PLUG
11	10280060	2	GASKET
12	13544024	2	STUD -Not as spare part- -Replaced by 13544034-
12	13544034	2	STUD
13	14325140	1	THREADED PLUG
14	13543424	5	STUD
15	10275011	3	THREADED PLUG
16	10263460	3	GASKET
17	13544024	1	STUD
18	13525870	3	THREADED INSERT
19	13525770	1	THREADED INSERT
20	169754	1	FRONT COVER -Not as spare part- -With the complete crankcase-
21	153921	1	GASKET
22	100041	2	DOWEL
23	13543624	1	STUD
24	12601374	9	WASHER
25	101139	9	NUT
26	13543524	6	STUD
27	12604474	18	WASHER
28	101139	18	NUT
29	13547034	4	STUD
30	163985	1	GASKET
31	13543524	8	STUD
32	13543624	4	STUD
33	16043834	4	SCREW
34	11198074	4	WASHER
35	165351	2	CENTERING DOWEL
36	102725	2	DOWEL
37	13543524	3	STUD
38	13546624	4	STUD
38	13547124	2	STUD -Right side support-
39	175156	2	ENGINE FIXING SUPPORT -Valid till Ass. Nr. 34874-
39	183804	2	ENGINE FIXING SUPPORT -Valid from Ass. Nr. 34875-
40	11190574	6	WASHER
41	133988	6	NUT
42	15970634	8	SCREW -Not as spare part- -Replaced by 15970734-
42	15970734	8	SCREW
43	127497	8	WASHER
44	14496624	8	WASHER

			-Not as spare part-
			-Replaced by 12646824-
44	12646824	8	WASHER
45	133988	8	NUT
46	180113	2	FLEXIBLE PAD
			-For the cars till Ass. Nr. 34874 the new flexible pad 182142 + the retaining washer 182141 to mount together-
			-See SAT technical information-
46	182142	2	FLEXIBLE PAD
			-Valid from Ass. Nr. 34875-
47	15864234	2	SCREW
			-Valid till Ass. Nr. 34874-
47	11369634	2	SCREW
			-Valid from Ass. Nr. 34875-
48	13516624	4	STUD
49	13547234	2	STUD
50	12601774	2	WASHER
51	176573	2	NUT
52	180263	10	STUD
53	125317	10	CENTERING DOWEL
54	152158	1	FRONT HAT
			-Not as spare part-
			-With the complete crankcase-
55	152159	1	FRONT INTERMEDIATE HAT
			-Not as spare part-
			-With the complete crankcase-
56	152098	2	INTERMEDIATE CENTRAL AND REAR HAT
			-Not as spare part-
			-With the complete crankcase-
57	152099	1	REAR HAT
			-Not as spare part-
			-With the complete crankcase-
58	103842	10	WASHER
59	103841	10	NUT
60	164400	2	THREADED PLUG
61	12620474	6	WASHER
62	15896214	6	NUT
63	13525870	4	THREADED INSERT
64	13544024	2	STUD
65	156862	2	NONRETURN VALVE
66	175644	2	REAR DOWEL
67	173479	2	FRONT DOWEL
68	170527	1	REAR COVER
			-Not as spare part-
			-With the complete crankcase-
69	13525570	2	THREADED INSERT
70	170529	1	GASKET
71	103038	2	DOWEL
72	13541124	2	STUD
73	13540824	4	STUD
74	171177	2	BEARING
75	177672	2	SENSOR FOR FIRING
76	182141	2	RETAINING WASHER
			-Valid from Ass. Nr. 34875-



360 Modena - 2 - DRIVING SHAFT - CONNECTING RODS AND PISTONS



360 Modena - 2 - DRIVING SHAFT - CONNECTING RODS AND PISTONS

1	178481	1	CRANKSHAFT
2	176396	1	THREADED PLUG
*	180694	1	HALF-BEARINGS COMPLETE SERIES -STANDARD SIZE-
*	180695	1	HALF-BEARINGS COMPLETE SERIES -1st OVERSIZE mm. 0,254-
*	180696	1	HALF-BEARINGS COMPLETE SERIES -2nd OVERSIZE mm. 0,508-
3	173558	2	FRONT AND REAR UPPER HALF BEARING -Not as spare part- -With the half-bearings complete series-
3	173559	-	FRONT AND REAR UPPER HALF BEARING OVERSIZE -1st OVERSIZE mm. 0,254- -Not as spare part- -With the half-bearings complete series-
3	173560	-	FRONT AND REAR UPPER HALF BEARING OVERSIZE -2nd OVERSIZE mm. 0,508- -Not as spare part- -With the half-bearings complete series-
4	173554	2	FRONT AND REAR LOWER HALF BEARING -Not as spare part- -With the half-bearings complete series-
4	173555	-	FRONT AND REAR LOWER HALF BEARING OVERSIZE -1st OVERSIZE mm. 0,254- -Not as spare part- -With the half-bearings complete series-
4	173556	-	FRONT AND REAR LOWER HALF BEARING OVERSIZE -2nd OVERSIZE mm. 0,508- -Not as spare part- -With the half-bearings complete series-
5	173562	3	UPPER INTERMEDIATE HALF BEARING -Not as spare part- -With the half-bearings complete series-
5	173563	-	UPPER INTERMEDIATE HALF BEARING OVERSIZE -1st OVERSIZE mm. 0,254- -Not as spare part- -With the half-bearings complete series-
5	173564	-	UPPER INTERMEDIATE HALF BEARING OVERSIZE -2nd OVERSIZE mm. 0,508- -Not as spare part- -With the half-bearings complete series-
6	173566	3	INTERMEDIATE LOWER HALF BEARING -Not as spare part- -With the half-bearings complete series-
6	173567	-	INTERMEDIATE LOWER HALF BEARING OVERSIZE -1st OVERSIZE mm. 0,254- -Not as spare part- -With the half-bearings complete series-
6	173568	-	INTERMEDIATE LOWER HALF BEARING OVERSIZE -2nd OVERSIZE mm. 0,508- -Not as spare part- -With the half-bearings complete series-
7	164111	2	UPPER SHIM -Not as spare part- -With the half-bearings complete series-
7	164112	-	UPPER SHIM

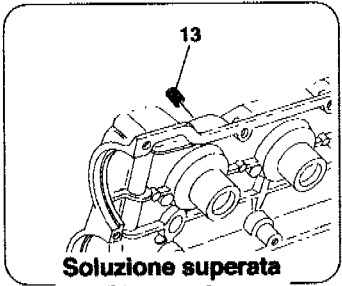
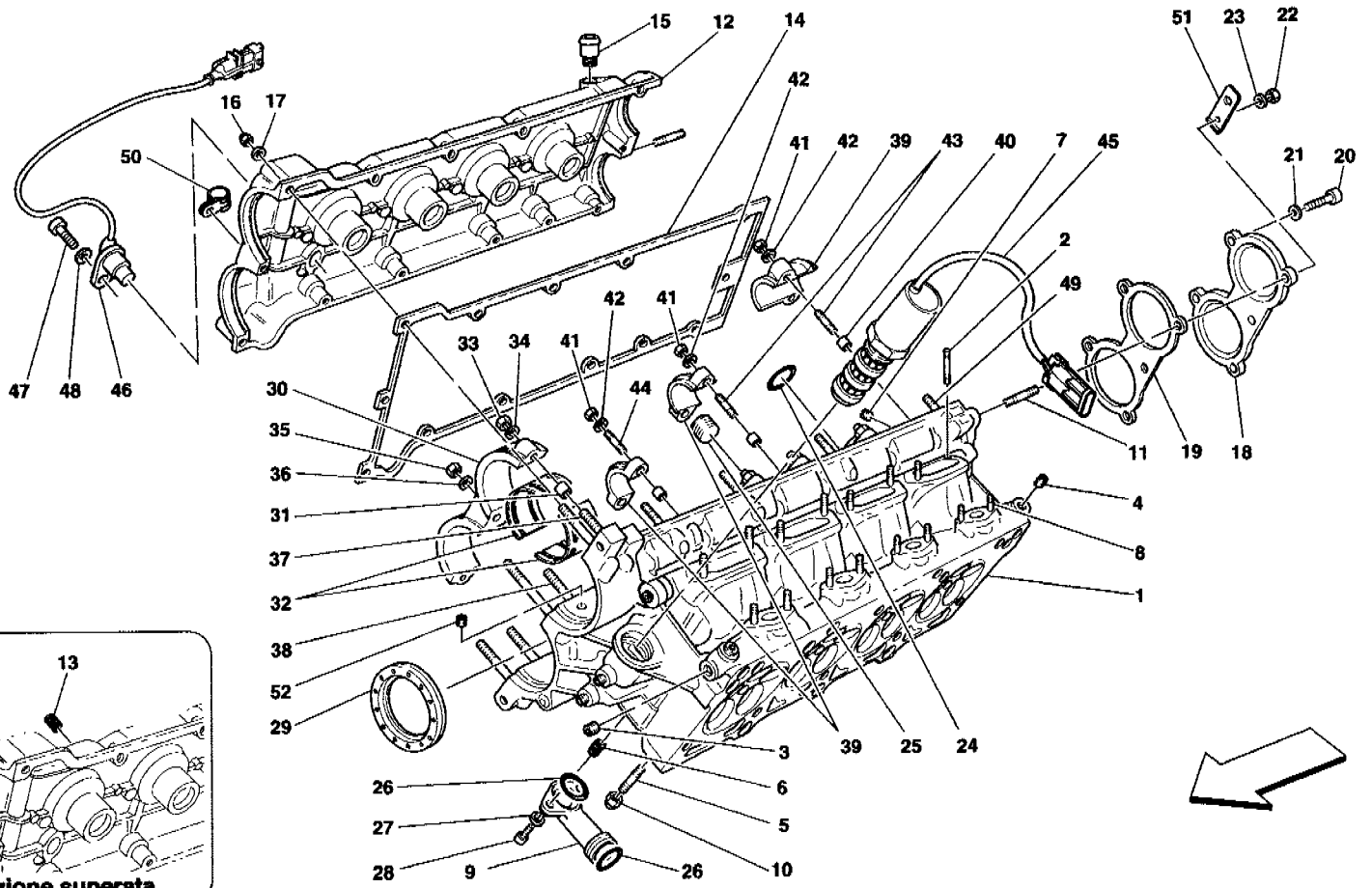
			1st OVERSIZE mm. 0,127 -Not as spare part- -With the half-bearings complete series-
7	164113	-	UPPER SHIM
			2nd OVERSIZE mm. 0,254 -Not as spare part- -With the half-bearings complete series-
8	164108	2	LOWER SHIM
			-Not as spare part- -With the half-bearings complete series-
8	164109	-	LOWER SHIM
			1st OVERSIZE mm. 0,127 -Not as spare part- -With the half-bearings complete series-
8	164110	-	LOWER SHIM
			2nd OVERSIZE mm. 0,254 -Not as spare part- -With the half-bearings complete series-
9	151289	1	KEY
10	176643	1	OIL PUMP CONTROL GEAR
11	178738	1	DRIVING SHAFT PULLEY
12	177390	16	BUSHING
13	103877	1	BEARING
14	163989	1	SEAL RING
			-Not as spare part- -Replaced by 200323-
14	200323	1	SEAL RING
15	176477	8	COMPLETE CONNECTING ROD AND CAP
			-Not as spare part- -Replaced by 190113-
15	190113	8	COMPLETE CONNECTING ROD AND CAP
			-Not as spare part- -Replaced by 196976-
15	196976	8	COMPLETE CONNECTING ROD AND CAP
			-Not as spare part- -Replaced by 212652-
15	212652	8	COMPLETE CONNECTING ROD AND CAP
16	179510	8	PISTON WITH RINGS
17	160813	8	AC SEAL RING (1st groove)
			-Not as spare part- -With the pistons rings set-
18	152991	8	AC SEAL RING (2nd groove)
			-Not as spare part- -With the pistons rings set-
19	132773	8	ROF OIL SCRAPING RING (3rd groove)
			-Not as spare part- -With the pistons rings set-
20	154717	8	PIN
21	166901	16	STOP RING
22	164026	8	PISTONS RINGS SET
23	177159	16	CONNECTING ROD TIGHTENING SCREW
24	174701	8	BUSHING
25	173550	16	CONNECTING ROD HALF BEARING
			-Not as spare part- -Replaced by 193622-
25	193622	16	CONNECTING ROD HALF BEARING
25	173551	16	CONNECTING ROD HALF BEARING
			1st OVERSIZE mm. 0,254
25	173552	16	CONNECTING ROD HALF BEARING

2nd OVERSIZE mm. 0,508

26 138792  
27 176583

1  
1

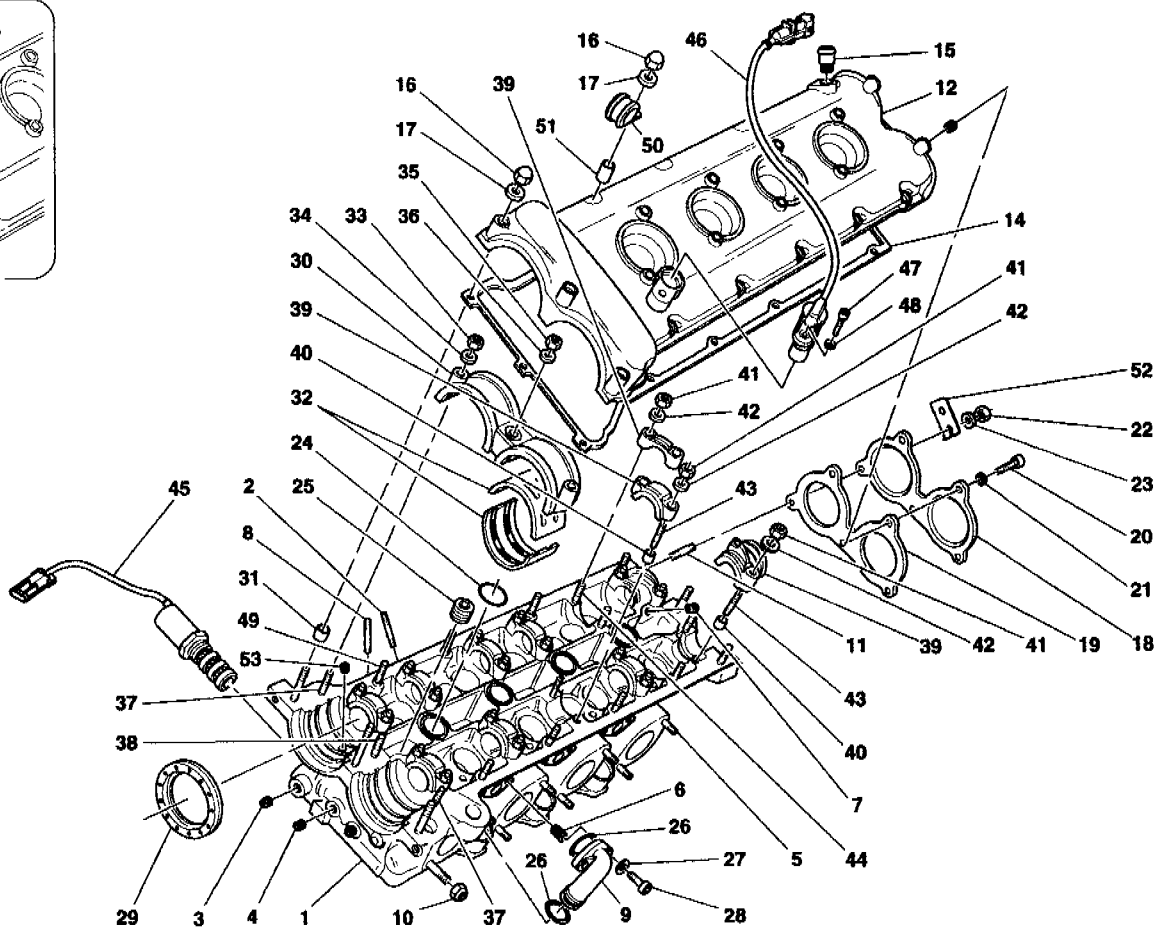
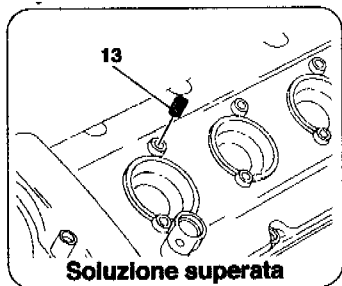
WASHER  
SCREW



360 Modena - 3 - R.H. CYLINDER HEAD

*	180705	1	COMPLETE R.H. CYLINDERS HEAD -Valid till engine Nr. 78048-
*	212395	1	COMPLETE R.H. CYLINDERS HEAD -Valid from engine Nr. 78049-
1	179305	1	R.H. HEAD -Not as spare part- -With the complete cylinders head 180705- -Valid till engine Nr. 78048-
1	198758	1	R.H. HEAD -Not as spare part- -With the complete cylinders head 212395- -Valid from engine Nr. 78049-
2	13541224	8	STUD
3	14326101	9	THREADED PLUG
4	14326001	2	THREADED PLUG
5	13543324	8	STUD
6	13525270	6	THREADED INSERT -Not as spare part- -Replaced by 13525170-
6	13525170	6	THREADED INSERT
7	141563	2	THREADED PLUG
8	11500224	8	STUD
9	151485	3	OIL EXHAUST DUCTING
10	138392	8	NUT
11	13541024	3	STUD
12	176450	1	R.H. CYLINDERS HEAD COVER -Not as spare part- -With the complete cylinders head 180705-
13	13525470	8	THREADED INSERT
14	173540	1	GASKET
15	173985	1	UNION
16	151230	13	NUT
17	12604274	13	WASHER
18	177019	1	REAR SMALL COVER
19	177055	1	COVER GASKET
20	14433124	2	SCREW -Not as spare part- -Replaced by 14432224-
20	14432224	2	SCREW
21	12604274	2	WASHER
22	102741	3	NUT
23	12601274	3	WASHER
24	167135	4	O.R. GASKET
25	127635	5	THREADED PLUG
26	147278	6	O.R. GASKET
27	12601174	6	WASHER
28	14304224	6	SCREW -Not as spare part- -Replaced by 212538-
28	212538	6	SCREW
29	169462	2	SEAL RING -Not as spare part replaced by 180816-
29	180816	2	SEAL RING -Replaces 169462- -Not as spare part- -Replaced by 187140-
29	187140	2	SEAL RING
30	173784	1	FRONT SUPPORT -Not as spare part- -With the complete cylinders head 180705-
31	102725	2	CENTERING DOWEL
32	176174	4	HALF BEARING -Valid till stock exhaustion-
32	182694	4	HALF BEARING

33	15896211	2	-Valid after stock exhaustion of 176174- NUT
34	11197774	2	WASHER
35	16100814	1	NUT
36	11193874	1	WASHER
37	13541724	2	STUD
38	13543424	1	STUD
39	---	11	CAP -Not as spare part- -With the complete cylinders head 180705-
40	102725	22	CENTERING DOWEL
41	15896211	22	NUT
42	11197774	22	WASHER
43	13541421	14	STUD -Not as spare part- -Replaced by 13541321-
43	13541321	14	STUD
44	13541321	8	STUD FOR INTAKE SIDE INTERMEDIATE CAP
45	178406	1	VARIATOR CONTROL SOLENOID VALVE -Valid till stock exhaustion-
45	182260	1	VARIATOR CONTROL SOLENOID VALVE -Valid after stock exhaustion of 178406- -Not as spare part- -Replaced by 195086-
45	195086	1	VARIATOR CONTROL SOLENOID VALVE
46	177673	1	PHASE SENSOR
47	14305724	1	SCREW
48	12601274	1	WASHER
49	13541124	5	STUD
49	13541324	3	STUD
49	13542024	1	STUD
49	13541724	1	STUD
49	13541824	1	STUD
49	13541624	1	STUD
49	11500624	1	STUD
50	10441890	1	BRACKET WITH SHEATH
51	178316	1	BRACKET
52	198823	2	THREADED PLUG -Valid from engine Nr. 78049-

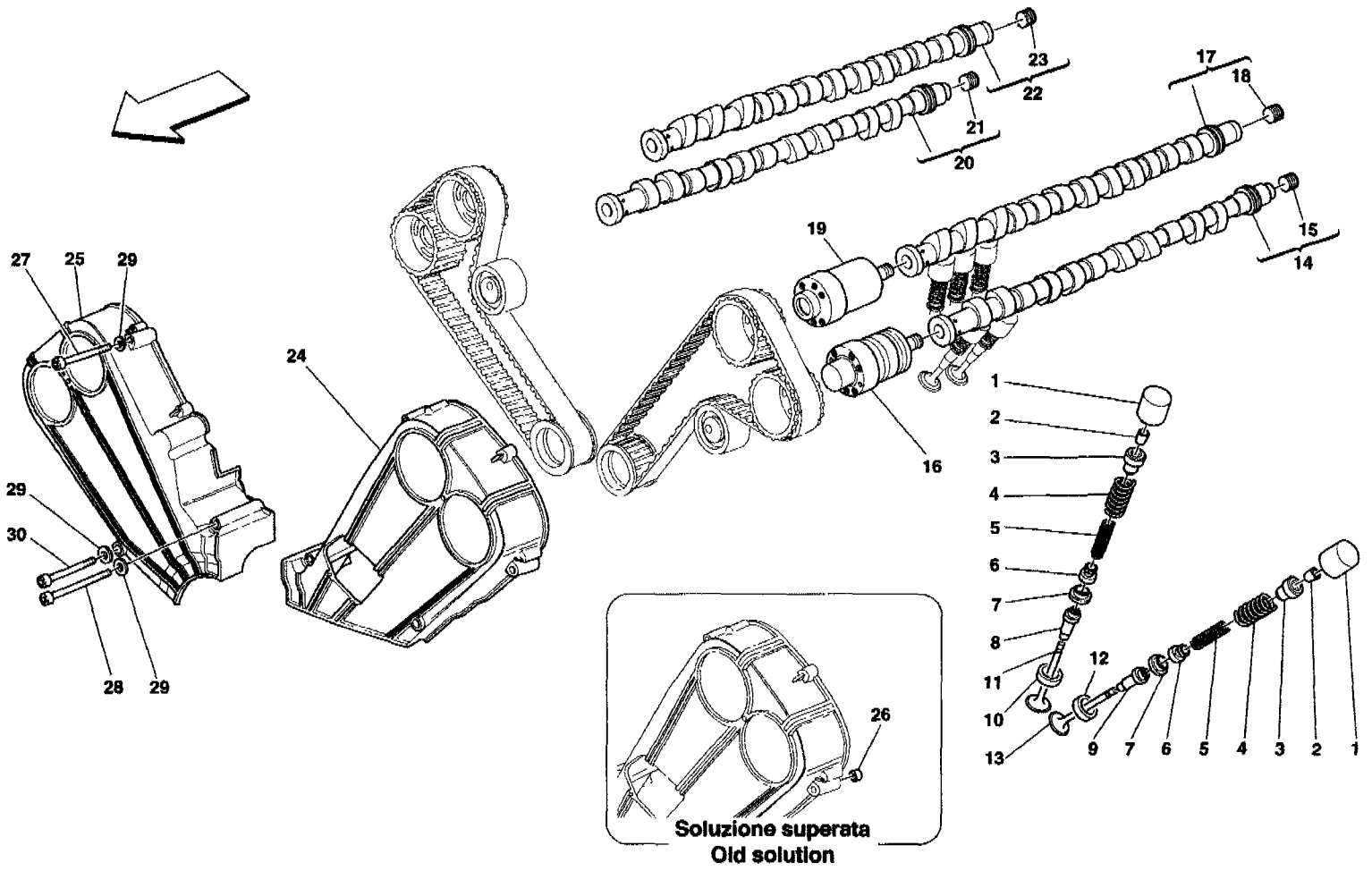




360 Modena - 4 - L.H. CYLINDER HEAD

*	180706	1	COMPLETE R.H. CYLINDERS HEAD -Valid till engine Nr. 78048-
*	212393	1	COMPLETE R.H. CYLINDERS HEAD -Valid from engine Nr. 78049-
1	179306	1	R.H. HEAD -Not as spare part- -With the complete cylinders head 180706- -Valid till engine Nr.78048-
1	198760	1	R.H. HEAD -Not as spare part- -With the complete cylinders head 212393- -Valid from engine Nr.78049-
2	13541224	8	STUD
3	14326101	9	THREADED PLUG
4	14326001	2	THREADED PLUG
5	13543324	8	STUD
6	13525270	6	THREADED INSERT -Not as spare part- -Replaced by 13525170-
6	13525170	6	THREADED INSERT
7	141563	2	THREADED PLUG
8	11500224	8	STUD
9	151485	3	OIL EXHAUST DUCTING
10	138392	8	NUT
11	13541024	3	STUD
12	176479	1	L.H. CYLINDERS HEAD COVER -Not as spare part- -With the complete cylinders head 180706-
13	13525470	8	THREADED INSERT
14	173541	1	GASKET
15	173985	1	UNION
16	151230	13	NUT
17	12604274	13	WASHER
18	177019	1	REAR SMALL COVER
19	177055	1	COVER GASKET
20	14433124	2	SCREW -Not as spare part- -Replaced by 14432224-
20	14432224	2	SCREW
21	12604274	2	WASHER
22	102741	3	NUT
23	12601274	3	WASHER
24	167135	4	O.R. GASKET
25	127635	5	THREADED PLUG
26	147278	6	O.R. GASKET
27	12601174	6	WASHER
28	14304224	6	SCREW -Not as spare part- -Replaced by 212538-
28	212538	6	SCREW
29	169462	2	SEAL RING -Not as spare part replaced by 180816-
29	180816	2	SEAL RING -Replaces 169462- -Not as spare part- -Replaced by 187140-
29	187140	2	SEAL RING
30	173784	1	FRONT SUPPORT -Not as spare part- -With the complete cylinders head 180706-
31	102725	2	CENTERING DOWEL
32	176174	4	HALF BEARING -Valid till stock exhaust-
32	182694	4	HALF BEARING

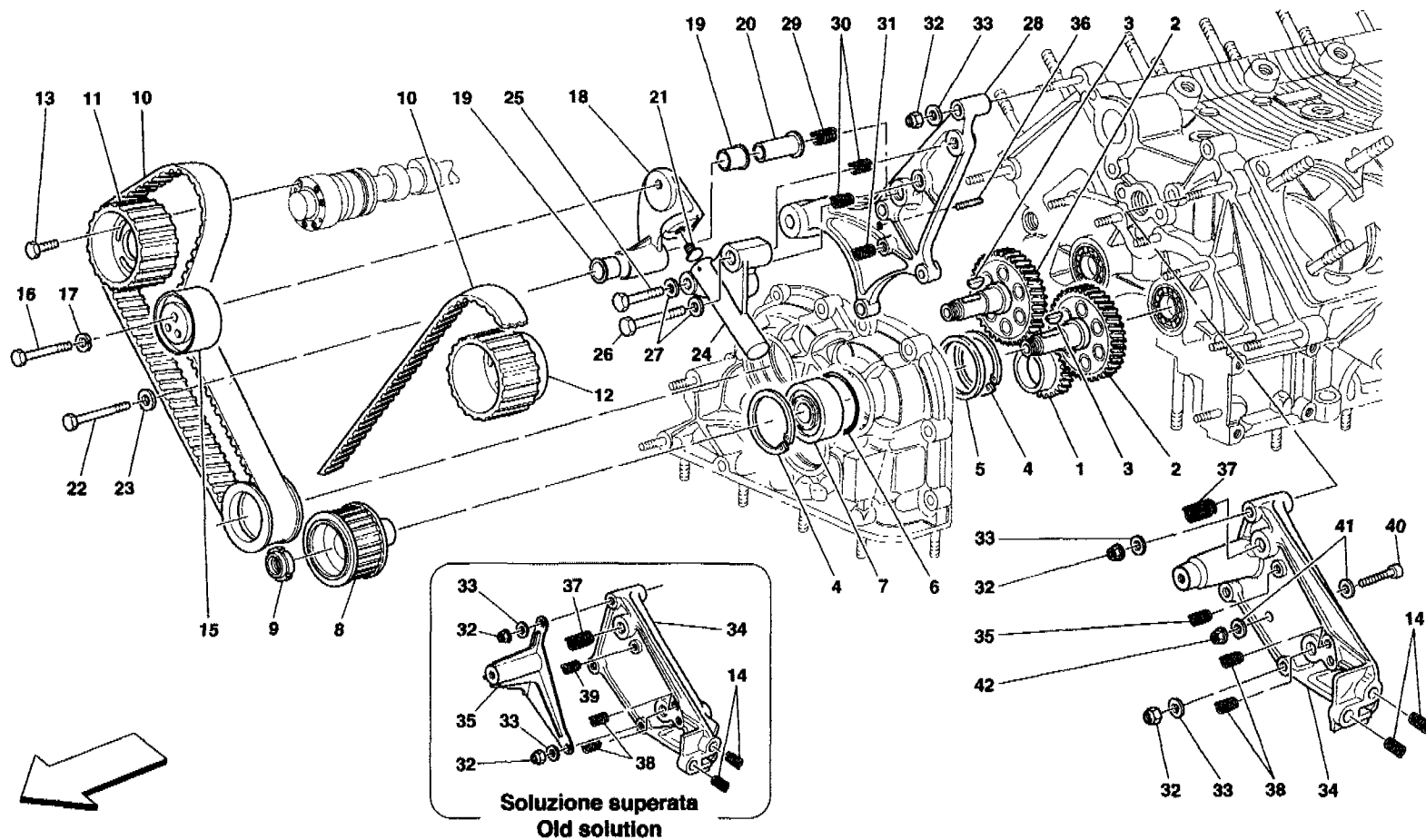
			-Valid after stock exhaustion of 176174-
33	15896211	2	NUT
34	11197774	2	WASHER
35	16100814	1	NUT
36	11193874	1	WASHER
37	13541724	2	STUD
38	13543424	1	STUD
39	---	11	CAP
			-Not as spare part-
			-With the complete cylinders head
			180706-
40	102725	22	CENTERING DOWEL
41	15896211	22	NUT
42	11197774	22	WASHER
43	13541421	14	STUD
			-Not as spare part-
			-Replaced by 13541321-
43	13541321	14	STUD
44	13541321	8	STUD FOR INTAKE SIDE
			INTERMEDIATE CAP
45	178406	1	VARIATOR CONTROL SOLENOID
			VALVE
			-Valid till stock exhaustion-
45	182260	1	VARIATOR CONTROL SOLENOID
			VALVE
			-Valid after stock exhaustion of 178406-
			-Not as spare part-
			-Replaced by 195086-
45	195086	1	VARIATOR CONTROL SOLENOID
			VALVE
46	177673	1	PHASE SENSOR
47	14305724	1	SCREW
48	12601274	1	WASHER
49	13541124	5	STUD
49	13541324	3	STUD
			-Q.ty 2 from Ass. Nr. 36124-
49	13541724	1	STUD
			-Q.ty 2 from Ass. Nr. 36124-
49	13541824	1	STUD
49	13542024	1	STUD
49	13541624	1	STUD
49	11500624	1	STUD
50	10441890	1	BRACKET WITH SHEATH
51	184483	1	SPACER
52	178316	1	BRACKET
53	198823	2	THREADED PLUG
			-Valid from engine Nr. 78049-



## 360 Modena - 5 - TIMING - TAPPETS AND SHIELDS

1	149750	40	TAPPET FOR VALVE CONTROL -Valid till stock exhaustion-
1	195017	40	TAPPET FOR VALVE CONTROL -Valid after stock exhaustion of 149750-
2	157986	80	COTTER FOR VALVE SPRING
3	157989	40	UPPER CUP
4	149888	40	OUTER SPRING FOR VALVE RETURN -Not as spare part replaced by 180192-
4	180192	40	OUTER SPRING FOR VALVE RETURN -Replaces 149888-
5	149889	40	INNER SPRING FOR VALVE RETURN -Not as spare part replaced by 180208-
5	180208	40	INNER SPRING FOR VALVE RETURN -Replaces 149889-
6	148153	40	OIL RING
7	172466	40	LOWER CUP
7	180360	40	LOWER CUP -OVERSIZED-
8	172328	24	INTAKE VALVE GUIDE
8	172452	24	INTAKE VALVE GUIDE -OVERSIZED-
9	172329	16	EXHAUST VALVE GUIDE
9	172453	16	EXHAUST VALVE GUIDE -OVERSIZED-
10	179281	24	INTAKE VALVE SEAT
11	175157	24	INTAKE VALVE
12	173433	16	EXHAUST VALVE SEAT
13	157988	16	EXHAUST VALVE
14	180191	1	COMPLETE L.H. EXHAUST CAM SHAFT -Valid till stock exhaustion-
14	206081	1	COMPLETE L.H. EXHAUST CAM SHAFT
15	10269550	1	THREADED PLUG
16	169447	2	EXHAUST PHASE VARIATOR -Not as spare part- -Replaced by 190042-
16	190042	2	EXHAUST PHASE VARIATOR
17	180190	1	COMPLETE L.H. INDUCTION DISTRIBUTION CAM SHAFT -Valid till stock exhaustion-
17	206080	1	COMPLETE L.H. INDUCTION DISTRIBUTION CAM SHAFT
18	10269550	1	THREADED PLUG
19	176101	2	BUSHING
20	176757	1	COMPLETE R.H. EXHAUST CAM SHAFT -Valid till stock exhaustion-
20	206079	1	COMPLETE R.H. EXHAUST CAM SHAFT
21	10269550	1	THREADED PLUG
22	176266	1	COMPLETE R.H. INDUCTION DISTRIBUTION CAM SHAFT -Valid till stock exhaustion-
22	206078	1	COMPLETE R.H. INDUCTION DISTRIBUTION CAM SHAFT
23	10269550	1	THREADED PLUG
24	178446	1	L.H. COVER -Not as spare part replaced by 180305-
24	180305	1	L.H. COVER -Replaces 178446-
25	169736	1	R.H. COVER
26	104339	2	SPACER
27	167266	4	SCREW

28	156839	2	SCREW
29	12604274	8	WASHER
30	156829	2	SCREW

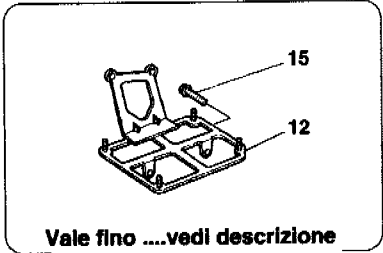
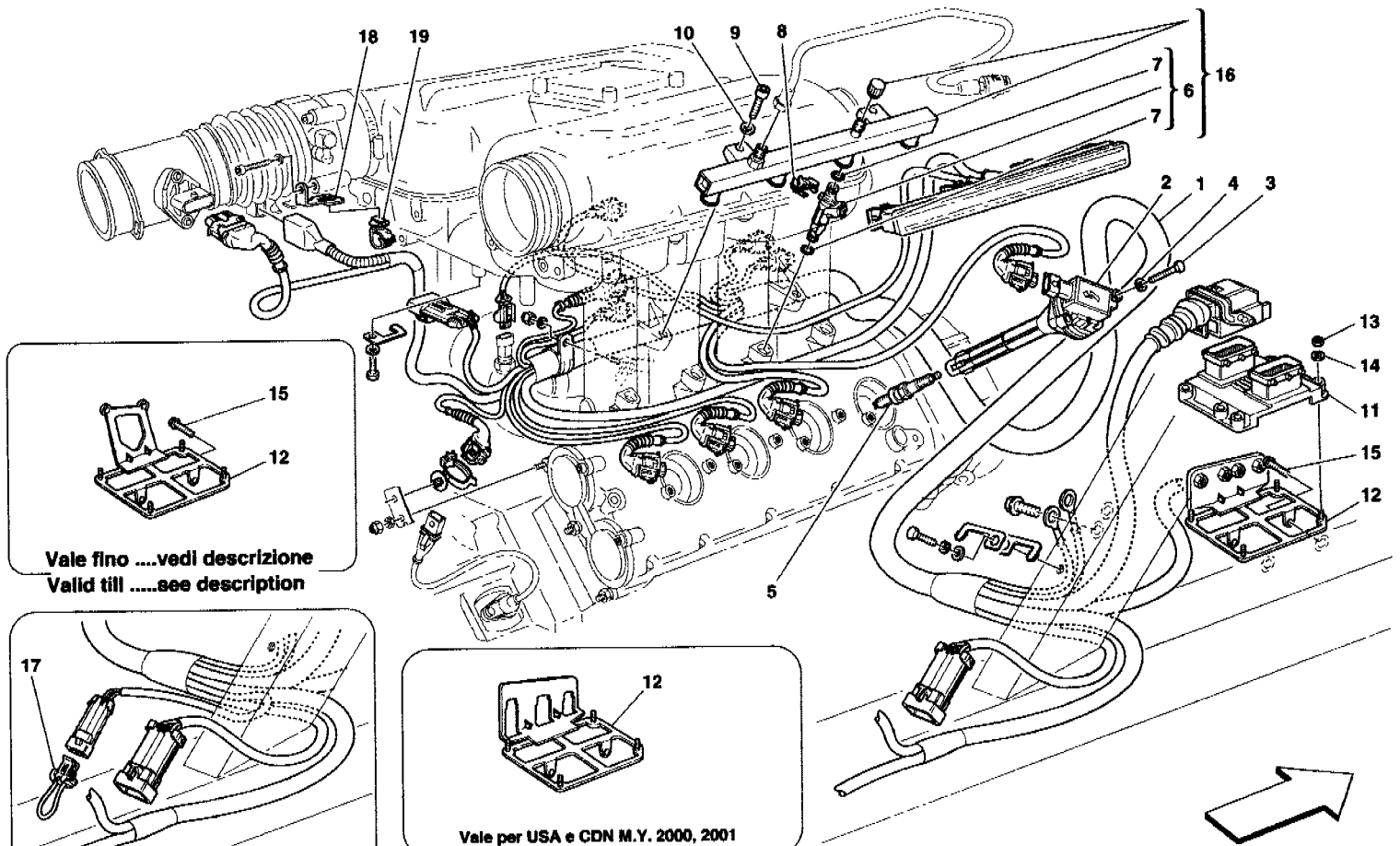


## 360 Modęna - 6 - TIMING - CONTROLS

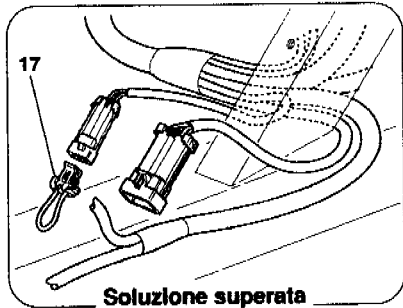
1	160598	1	DRIVING GEAR
2	179079	2	DRIVEN GEAR
2	181984	2	-Not as spare part replaced by 181984- DRIVEN GEAR -Replaces 179079-
3	10206320	2	DISC KEY
4	11060576	4	SEEGER RING
5	133377	2	WASHER
6	136140	2	O.R. GASKET
7	170787	2	BEARING
8	154238	2	DRIVING PULLEY
9	104919	2	RING NUT
10	181610	2	TIMING CONTROL BELT -Valid till stock exhaustion-
10	184986	2	TIMING CONTROL BELT
11	169154	2	R.H. EXHAUST INDUCTION DISTRIBUTION PULLEY
12	169153	2	L.H. EXHAUST INDUCTION DISTRIBUTION PULLEY
13	181336	16	SCREW
14	13525770	2	THREADED INSERT
15	181264	2	BELT TIGHTENING PULLEY
16	11307024	2	SCREW
17	127497	2	WASHER
18	181253	2	BELT TIGHTENER ARM
19	159425	4	BUSHING
20	158138	2	BUSHING
21	158156	2	PAWL
22	11288034	2	SCREW
23	184318	2	WASHER
24	157356	1	R.H. HYDRAULIC TIGHTENER
24	182394	1	L.H. HYDRAULIC TIGHTENER -Not as spare part- -Replaced by 185425-
24	185425	1	L.H. HYDRAULIC TIGHTENER -Not as spare part- -Replaced by 192920-
24	192920	1	L.H. HYDRAULIC TIGHTENER -Valid till engine Nr.83761-
24	202784	1	L.H. HYDRAULIC TIGHTENER -Valid from engine Nr.83762-
25	125506	2	SCREW -Not as spare part- -Replaced by 205693-
25	205693	2	SCREW
26	16044234	2	SCREW -Not as spare part- -Replaced by 185234-
26	185234	2	SCREW
27	12601374	4	WASHER
28	179635	1	UPPER BRACKET FOR GENERATOR SUPPORT
29	13526170	1	THREADED INSERT
30	13525870	2	THREADED INSERT
31	13525570	1	THREADED INSERT
32	101139	4	NUT -M 8X8-
32	177778	2	NUT -m8x7-
33	12601374	3	WASHER
34	180168	1	BELT TIGHTENER SUPPORT AND A.C. COMPRESSOR -Not as spare part replaced by 181822-
34	181816	1	BELT TIGHTENER SUPPORT AND A.C. COMPRESSOR -Not as spare part replaced by 181822-
34	181822	1	BELT TIGHTENER SUPPORT AND A.C. COMPRESSOR

			-Replaces 180168, 181816, 181302 and 181815-
34	202786	1	-Valid till engine Nr.83761- BELT TIGHTENER SUPPORT AND A.C. COMPRESSOR
35	181302	1	-Valid from engine Nr.83762- BELT TIGHTENING SUPPORT BRACKET
35	181815	1	-Not as spare part replaced by 181822- BELT TIGHTENING SUPPORT BRACKET
36	11499924	1	-Not as spare part replaced by 181822- STUD
37	13526170	1	THREADED INSERT
38	13525870	2	THREADED INSERT
39	13525570	1	THREADED INSERT
40	14306424	1	SCREW
41	12604474	2	-Valid from engine Nr.82119- WASHER
42	177778	1	-Valid from engine Nr.82119- NUT
			-Valid from engine Nr.82119-

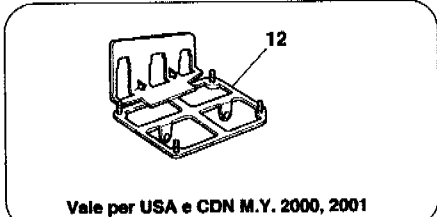




Vale fino ....vedi descrizione  
Valid till .....see description



Soluzione superata  
Old solution



Vale per USA e CDN M.Y. 2000, 2001  
No per USA e CDN M.Y. 2002, 2003, 2004  
Valid for USA and CDN M.Y. 2000, 2001  
Not for USA and CDN M.Y. 2002, 2003, 2004

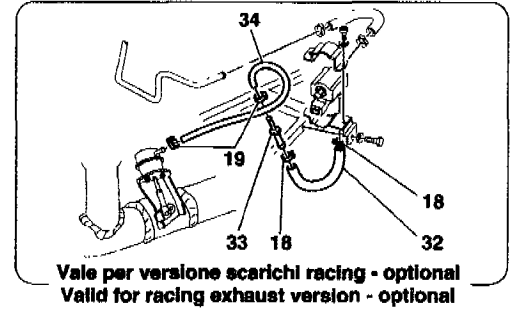
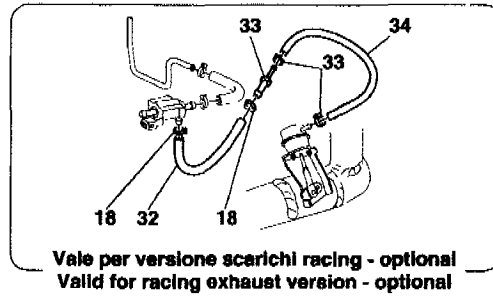
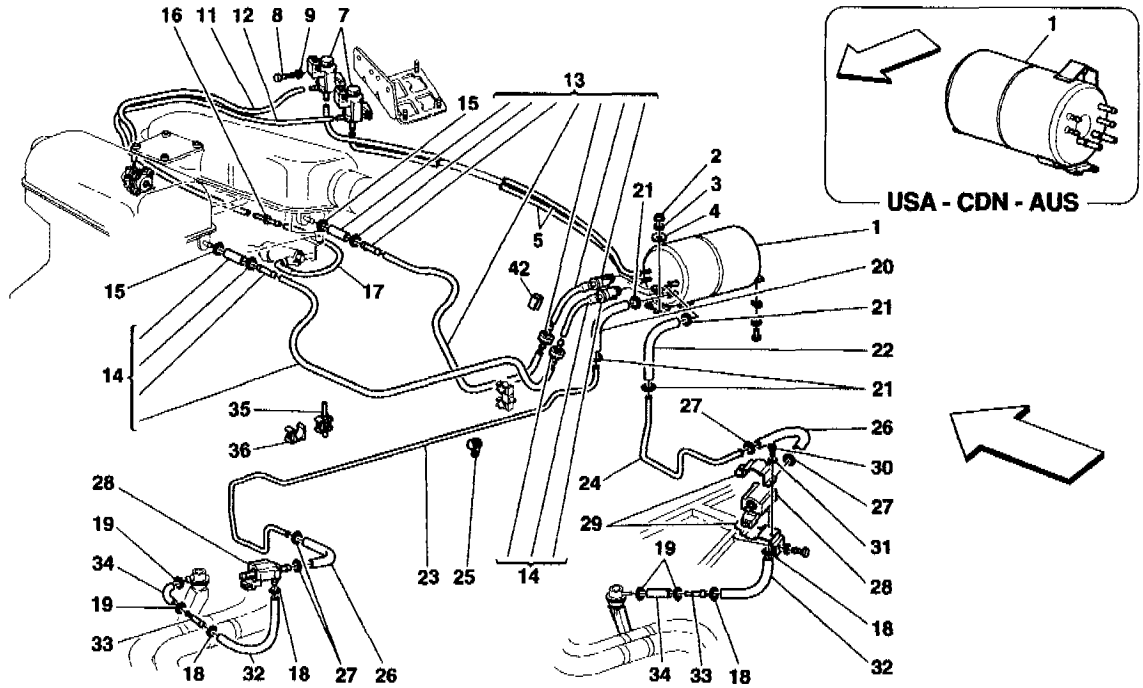
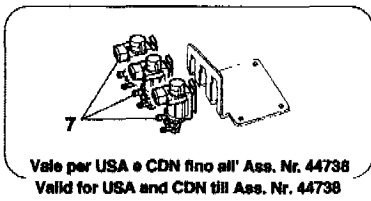
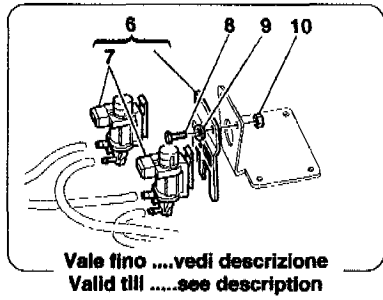
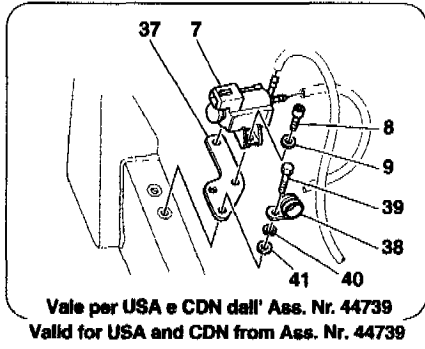
360 Modena - 7 - INJECTION DEVICE - IGNITION

1	177781	1	R.H. SIDE ENGINE INJECTION CABLES -Not for USA MY 2000,2001,2002,2003,2004 and CDN MY 2000,2001,2002,2003,2004- -Valid till Ass. Nr. 44103- -Valid till stock exhaustion-
1	192449	1	R.H. SIDE ENGINE INJECTION CABLES -Not for USA MY 2000,2001,2002,2003,2004 and CDN MY 2000,2001,2002,2003,2004- -Valid from Ass. Nr. 44104- -Valid after stock exhaustion of 177781- -Valid till stock exhaustion-
1	199873	1	R.H. SIDE ENGINE INJECTION CABLES -Not for USA MY 2000,2001,2002,2003,2004 and CDN MY 2000,2001,2002,2003,2004- -Valid after stock exhaustion of 192449-
1	181117	1	R.H. SIDE ENGINE INJECTION CABLES -Valid for USA MY 2000,2001,2002,2003,2004 and CDN MY 2000,2001,2002,2003,2004- -Valid till Ass. Nr. 44103- -Valid till stock exhaustion-
1	192451	1	R.H. SIDE ENGINE INJECTION CABLES -Valid for USA MY 2000,2001,2002,2003,2004 and CDN MY 2000,2001,2002,2003,2004- -Valid from Ass. Nr. 44104- -Valid after stock exhaustion of 181117- -Valid till stock exhaustion-
1	199875	1	R.H. SIDE ENGINE INJECTION CABLES -Valid for USA MY 2000,2001,2002,2003,2004 and CDN MY 2000,2001,2002,2003,2004- -Valid after stock exhaustion of 192451-
1	177782	1	L.H. SIDE ENGINE INJECTION CABLES -Not for USA MY 2000,2001,2002,2003,2004 and CDN MY 2000,2001,2002,2003,2004- -Valid till Ass. Nr. 44103- -Valid till stock exhaustion-
1	192450	1	L.H. SIDE ENGINE INJECTION CABLES -Not for USA MY 2000,2001,2002,2003,2004 and CDN MY 2000,2001,2002,2003,2004- -Valid from Ass. Nr. 44104- -Valid after stock exhaustion of 177782- -Valid till stock exhaustion-
1	199874	1	L.H. SIDE ENGINE INJECTION CABLES -Not for USA MY 2000,2001,2002,2003,2004 and CDN MY 2000,2001,2002,2003,2004- -Valid after stock exhaustion of 192450-
1	181115	1	L.H. SIDE ENGINE INJECTION CABLES -Valid for USA MY 2000,2001,2002,2003,2004 and CDN MY 2000,2001,2002,2003,2004- -Valid till Ass. Nr. 44103- -Valid till stock exhaustion-
1	192452	1	L.H. SIDE ENGINE INJECTION CABLES -Valid for USA MY 2000,2001,2002,2003,2004 and CDN MY 2000,2001,2002,2003,2004- -Valid from Ass. Nr. 44104- -Valid after stock exhaustion of 181115- -Valid till stock exhaustion-
1	199876	1	L.H. SIDE ENGINE INJECTION CABLES -Valid for USA MY 2000,2001,2002,2003,2004 and CDN MY 2000,2001,2002,2003,2004- -Valid after stock exhaustion of 192452-
2	177074	8	SINGOL IGNITION COIL
3	10902424	16	SCREW -Not as spare part- -Replaced by 10902534-
3	10902534	16	SCREW
4	12601274	16	WASHER
5	168325	8	SPARK PLUG -Valid till stock exhaustion-

5.	192637	8	SPARK PLUG
6	171723	8	ELECTRO-INJECTOR -Valid till stock exhaustion-
6	197808	8	ELECTRO-INJECTOR
7	133902	16	GASKET
8	144730	8	INJECTORS RETAINING CLIP
9	14306424	4	SCREW
10	12601374	4	WASHER
11	178285	2	CONTROL UNIT IGNITION -Not for F1- -Valid for catalyzed cars- -Not for USA, CDN and AUS- -Valid for EU GS not F1 and J not F1 till car Ass.Nr. 39158- -Valid for GB not F1 till car Ass.Nr. 39144-
11	185392	2	CONTROL UNIT IGNITION -Not for F1- -Valid for catalyzed cars- -Not for USA, CDN and AUS- -Valid for EU GS not F1 and J not F1 from car Ass.Nr. 39159- -Valid for GB not F1 from car Ass.Nr. 39145- -Valid till Ass. Nr. 57450-
11	180101	2	CONTROL UNIT IGNITION -Not for F1- -Valid for not catalyzed cars- -Not for USA, CDN and AUS-
11	178768	2	CONTROL UNIT IGNITION -Not for F1- -Valid for USA, CDN and AUS- -Not for USA MY 2000,2001,2002,2003,2004 and CDN MY 2000,2001,2002,2003,2004- -Valid till Ass. Nr.53910 for AUS-
11	209973	2	CONTROL UNIT IGNITION -Not for F1- -Valid from Nr.53911 for AUS- -For cars not USA, CDN and AUS valid from Ass. Nr. 57451-
11	180700	2	CONTROL UNIT IGNITION -Not for F1- -Valid for USA MY 2000, USA MY 2001, CDN MY 2000 and CDN MY 2001- -Not for USA MY 2002,2003 and CDN MY 2002, 2003,2004-
11	186394	2	CONTROL UNIT IGNITION -Not for F1- -Valid for USA MY 2002 and CDN MY 2002- -Not for USA MY 2003,2004 and CDN MY 2003,2004-
11	197914	2	CONTROL UNIT IGNITION -Not for F1- -Valid for USA MY 2003 and CDN MY 2003-
11	201747	2	CONTROL UNIT IGNITION -Not for F1- -Valid for USA MY 2004 and CDN MY 2004-
11	178765	2	CONTROL UNIT IGNITION -Valid for F1- -Valid for catalyzed cars- -Not for USA, CDN and AUS- -Valid for EU GS F1 and J F1 till car Ass.Nr. 39159- -Valid for GB F1 till car Ass.Nr. 39148-
11	185403	2	CONTROL UNIT IGNITION -Valid for F1- -Valid for catalyzed cars- -Not for USA, CDN and AUS- -Valid for EU GS F1 and J F1 from car Ass.Nr. 39160- -Valid for GB F1 from car Ass.Nr. 39149- -Valid till Ass. Nr. 57450-
11	182630	2	CONTROL UNIT IGNITION -Valid for F1- -Valid for not catalyzed cars- -Not for USA, CDN and AUS-
11	178784	2	CONTROL UNIT IGNITION

			-Valid for F1- -Not for USA MY 2000,2001,2002,2003,2004 and CDN MY 2000,2001,2002,2003,2004- -Valid till Ass. Nr.53910 for AUS-
11	209974	2	CONTROL UNIT IGNITION -Valid for F1- -Valid from Nr.53911 for AUS- -For cars not USA, CDN and AUS valid from Ass. Nr. 57451-
11	181642	2	CONTROL UNIT IGNITION -Valid for F1- -Not for USA, CDN and AUS- -Valid for USA MY 2000, USA MY 2001, CDN MY 2000 and CDN MY 2001- -Not for USA MY 2002,2003,2004 and CDN MY 2002,2003,2004-
11	190768	2	CONTROL UNIT IGNITION -Valid for F1- -Valid for USA MY 2002 and CDN MY 2002- -Not for USA MY 2003,2004 and CDN MY 2003,2004-
11	197913	2	CONTROL UNIT IGNITION -Valid for F1- -Vale for USA MY 2003 and CDN MY 2003-
11	201752	2	CONTROL UNIT IGNITION -Valid for F1- -Valid for USA MY 2004 and CDN MY 2004-
11	206424	2	CONTROL UNIT IGNITION -Not for F1- -Valid for USA and CDN- -Valid for racing exhaust version- -Optional-
11	206425	2	CONTROL UNIT IGNITION -Valid for F1- -Valid for USA and CDN- -Valid for racing exhaust version- -Optional-
11	206421	2	CONTROL UNIT IGNITION -Not for F1- -Not for USA and CDN- -Valid for racing exhaust version- -Optional-
11	206423	2	CONTROL UNIT IGNITION -Valid for F1- -Not for USA and CDN- -Valid for racing exhaust version- -Optional-
12	177984	1	R.H. PLATE -Not for USA MY 2000,2001,2002,2003,2004 and CDN MY 2000,2001,2002,2003,2004- -Valid till car Ass. Nr. 44736-
12	179553	1	R.H. PLATE -Valid for USA MY 2000,2001,2002,2003,2004 and CDN MY 2000,2001,2002,2003,2004- -Valid till car Ass. Nr. 44738-
12	189978	1	R.H. PLATE -For cars not USA and CDN valid from Ass. Nr. 44737- -For cars USA MY 2002,2003 and CDN MY 2002,2003, 2004valid from Ass. Nr. 44739-
12	174956	1	L.H. PLATE
13	15896470	8	NUT
14	12604174	8	WASHER
15	16286024	4	SCREW
16	178482	1	R.H. COMPLETE FUEL TUBE WITH ELECTRO-INJECTORS -Valid till stock exhaustion-
16	198347	1	R.H. COMPLETE FUEL TUBE WITH ELECTRO-INJECTORS
16	178494	1	L.H. COMPLETE FUEL TUBE WITH ELECTRO-INJECTORS -Valid till stock exhaustion-
16	198348	1	L.H. COMPLETE FUEL TUBE

17	185316	1	WITH ELECTRO-INJECTORS EMERGENCY SWITCH BRACKET
18	179243	2	SMALL PLATE
19	178430	2	FIXING CLIP

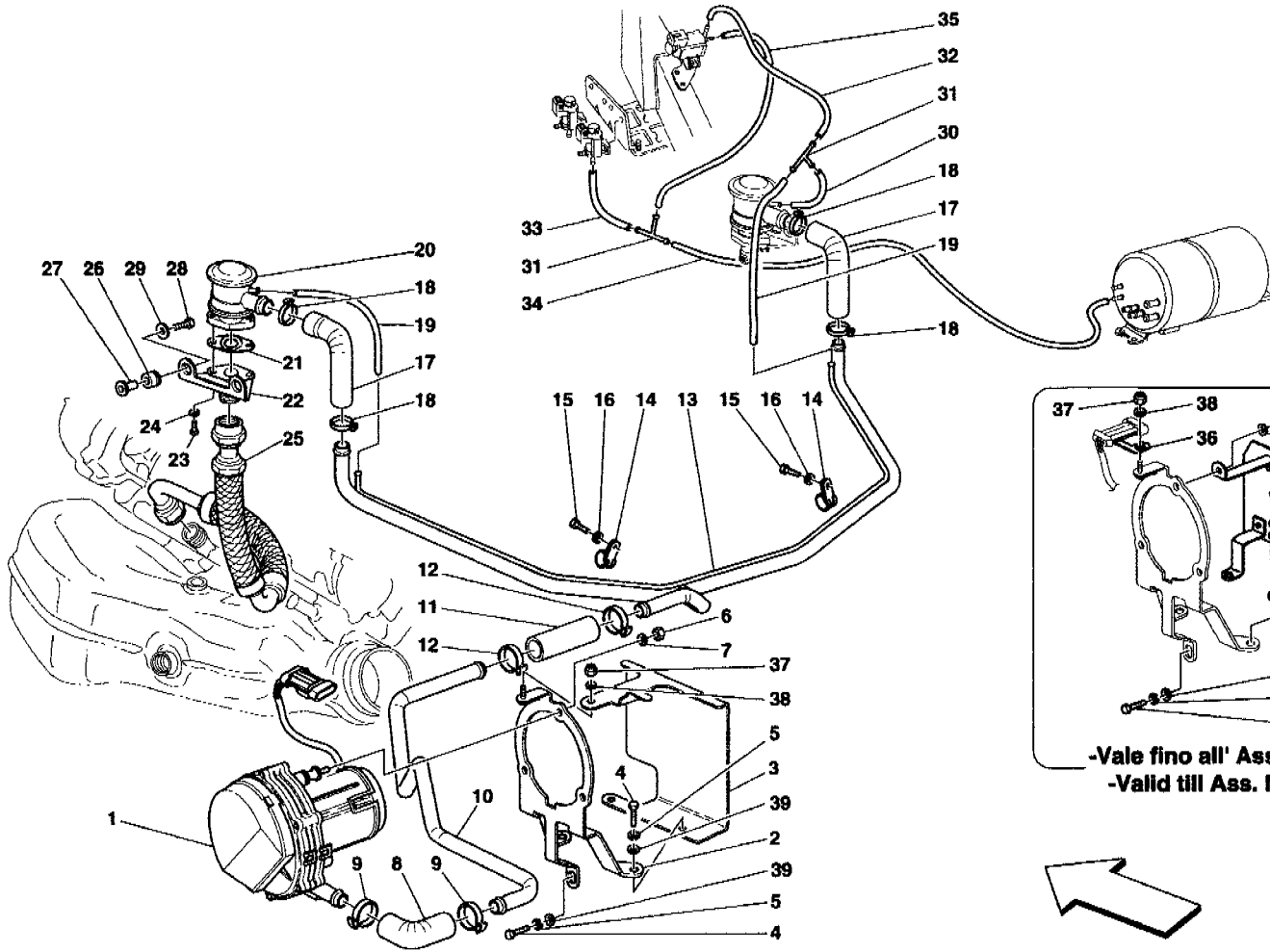


## 360.Modèna - 8 - PNEUMATICS ACTUATOR SYSTEM

1	177060	1	DEPRESSION ACCUMULATION TANK -Not for USA, CDN and AUS- -Valid for USA MY 2000,2001,2002,2003,2004 and CDN MY 2000,2001,2002,2003,2004- -Valid till stock exhaustion-
1	180315	1	DEPRESSION ACCUMULATION TANK -Valid for USA, CDN and AUS- -Valid till stock exhaustion-
1	195645	1	DEPRESSION ACCUMULATION TANK
2	14059211	2	NUT
3	12601274	2	WASHER
4	12639724	2	WASHER
5	122760	2	PIPE FROM TANK TO SOLENOID VALVE
6	159176	1	SMALL PLATE WITH SOLENOID VALVE -Not for USA MY 2000,2001,2002,2003,2004 and CDN MY 2000,2001,2002,2003,2004- -Valid till car Ass. Nr. 44736-
7	159177	2	SOLENOID VALVE -Q.ty 3 for USA MY 2000,2001,2002,2003 and CDN MY 2000,2001,2002,2003- -For cars not USA and CDN valid till Ass. Nr. 44736- -For cars USA and CDN valid till Ass. Nr. 44738-
7	184363	2	SOLENOID VALVE -Q.ty 3 for USA MY 2002,2003,2004 and CDN MY 2002,2003,2004- -For cars not USA and CDN valid from Ass. Nr. 44737- -For cars USA and CDN valid from Ass. Nr. 44739-
8	10977624	2	SCREW -Not for USA MY 2000,2001,2002,2003,2004 and CDN MY 2000,2001,2002,2003,2004- -Valid till car Ass. Nr. 44736-
8	14304124	4	SCREW -Q.ty 6 for USA MY 2002,2003,2004 and CDN MY 2002,2003,2004- -For cars not USA and CDN valid from Ass. Nr. 44737- -For cars USA and CDN valid from Ass. Nr. 44739-
9	12604174	2	WASHER -Not for USA MY 2000,2001,2002,2003,2004 and CDN MY 2000,2001,2002,2003,2004- -Valid till car Ass. Nr. 44736-
9	12601174	4	WASHER -Q.ty 6 for USA MY 2002,2003,2004 and CDN MY 2002,2003,2004- -For cars not USA and CDN valid from Ass. Nr. 44737- -For cars USA and CDN valid from Ass. Nr. 44739-
10	15896470	2	NUT -Not for USA MY 2000,2001,2002,2003,2004 and CDN MY 2000,2001,2002,2003,2004- -Valid till car Ass. Nr. 44736-
11	169692	1	PIPE FROM SOLENOID VALVE TO PNEUMATIC CAPSULE
12	115665	1	PIPE FROM SOLENOID VALVE TO UNION -Valid till stock exhaustion-
12	127893	1	PIPE FROM SOLENOID VALVE TO UNION -Valid after stock exhaustion of 115665-
13	178420	1	COMPLETE R.H. DEPRESSION PIPE
14	178421	1	COMPLETE L.H. DEPRESSION PIPE
15	13434670	2	SCREW COLLAR
16	178491	1	UNION
17	168248	1	RUBBER HOSE
18	13432070	4	SCREW COLLAR
19	157990	4	SCREW COLLAR

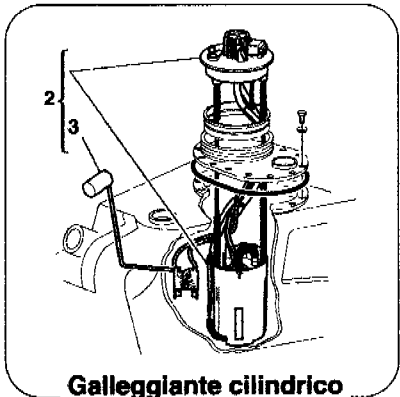
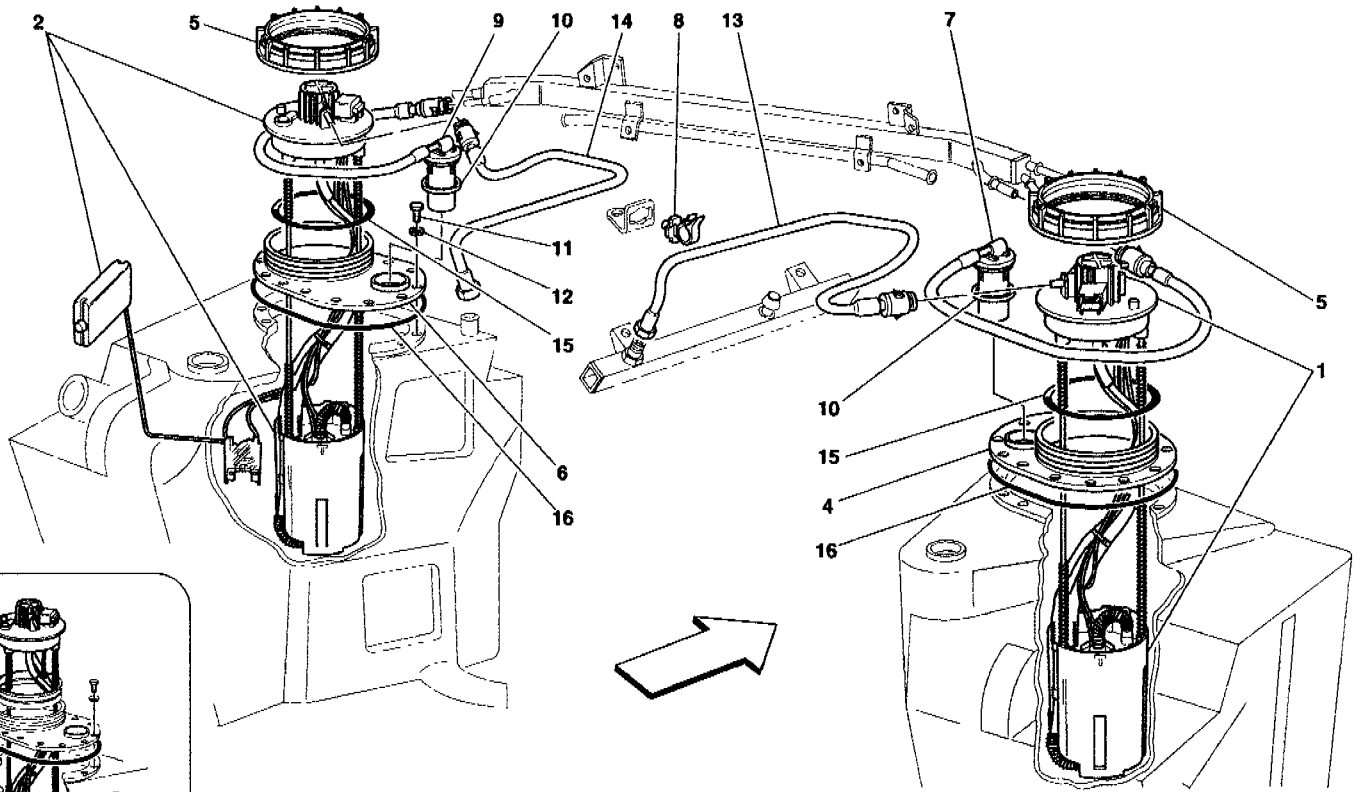
20	178554	1	RUBBER HOSE
21	13432070	4	SCREW COLLAR
22	178552	1	RUBBER HOSE
23	178503	1	L.H. PIPE
24	178497	1	R.H. PIPE
25	10441190	4	BRACKET WITH SHEATH
26	178552	2	RUBBER HOSE
27	13432070	4	SCREW COLLAR
28	178309	2	SOLENOID VALVE
29	178515	2	SOLENOID VALVE SUPPORT
30	14302924	4	SCREW
31	127492	4	WASHER
32	178552	2	RUBBER HOSE
33	178369	2	UNION
34	147121	2	RUBBER HOSE
34	147120	2	RUBBER HOSE
			-Valid for racing exhaust version-
			-Optional-
35	140162	1	ANCHORAGE FOR CLIP
36	140130	1	FLEXIBLE CLIP
37	189982	1	SMALL PLATE FOR SOLENOID VALVE
			-Valid for USA MY 2002,2003 and CDN MY 2002,2003,2004-
			-Valid from car Ass. Nr. 44739-
38	10441390	2	BRACKET WITH SHEATH
39	10902424	2	SCREW
40	127494	2	WASHER
41	12644424	2	WASHER
42	152913	1	RUBBER HOSE





360 Modena - 9 - SECONDARY AIR SYSTEM -Valid for USA MY 2000,2001,2002,2003,2004 and CDN MY 2000,2001,2002,2003,2004-

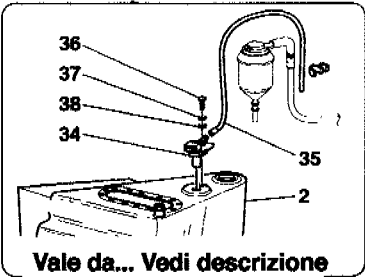
1	181197	1	SECONDARY AIR PUMP
2	182759	1	BRACKET FOR PUMP
3	181988	1	SHIELD FOR PUMP PROTECTION -Valid till Ass. Nr. 47943-
3	195887	1	SHIELD FOR PUMP PROTECTION -Valid from Ass. Nr. 47944-
4	10902624	3	SCREW
5	127494	3	WASHER
6	15896214	3	NUT
7	12601274	3	WASHER
8	181994	1	AIR PUMP CONNECTION SLEEVE
9	178054	2	CLAMP
10	181963	1	PIPE FROM PUMP TO SLEEVE
11	155116	1	SLEEVE
12	178054	2	CLAMP
13	178435	1	AIR DELIVERY TUBE
14	10441990	2	BRACKET WITH SHEATH
15	10902224	2	SCREW
16	12620474	2	WASHER
17	154652	2	SLEEVE
18	178054	4	CLAMP
19	178513	2	RUBBER HOSE -Not as spare part- -Replaced by 148205-
19	148205	2	RUBBER HOSE -Not as spare part- -Replaced by 147119-
19	147119	2	RUBBER HOSE
20	171175	2	SECONDARY AIR VALVE
21	172303	2	GASKET
22	184859	2	COMPLETE BRACKET
23	10902224	4	SCREW
24	127494	2	WASHER
25	178062	2	CONNECTION PIPE
26	177576	4	CABLE GROMMET
27	149707	4	SPACER
28	10902824	4	SCREW
29	12643724	4	WASHER
30	147121	1	RUBBER HOSE
31	146972	2	3-WAY UNION
32	124790	1	RUBBER HOSE -Not as spare part replaced by 115411-
32	115411	1	RUBBER HOSE
33	121828	1	RUBBER HOSE
34	117170	1	RUBBER HOSE
35	159542	1	RUBBER HOSE
36	156198	1	CLIP -Valid till Ass. Nr. 47943-
37	62790300	1	NUT
38	10519224	1	WASHER
39	10519424	3	WASHER



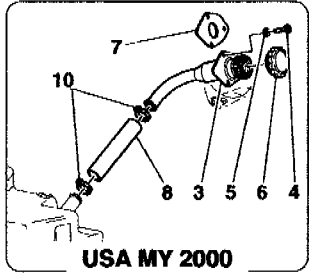
**Galleggiante cilindrico**  
**Cylindrical float**

- 360 Modena - 10 - FUEL PUMPS AND PIPES

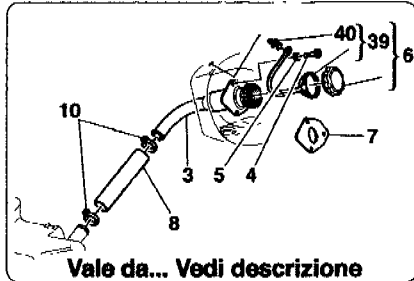
1	164146	1	R.H. COMPLETE FUEL PUMP
2	170947	1	L.H. COMPLETE FUEL PUMP AND FUEL LEVEL INDICATOR CONTROL -Not as spare part- -Replaced by 193723-
2	193723	1	L.H. COMPLETE FUEL PUMP AND FUEL LEVEL INDICATOR CONTROL -For cylindrical float- -Valid till stock exhaustion-
2	199120	1	L.H. COMPLETE FUEL PUMP AND FUEL LEVEL INDICATOR CONTROL -For oval section float-
3	177233	1	FUEL LEVEL INDICATOR -Not as spare part- -Replaced by 194140-
3	194140	1	FUEL LEVEL INDICATOR -Cylindrical float- -Valid for l.h. fuel pump 193723 ref. 2-
4	176579	1	R.H. PUMP SUPPORT COVER -For cars till Ass. Nr. 36737 use cover 176579 and valve 183256-
5	170945	2	RING NUT
6	176580	1	L.H. PUMP SUPPORT COVER
7	180381	1	COMPLETE R.H. FLOAT VALVE -Not as spare part- -For cars till Ass. Nr. 36737 use cover 176579 and valve 183256- -Not for USA MY 2000,2001,2002,2003,2004 and CDN MY 2000,2001,2002,2003,2004-
7	183256	1	COMPLETE R.H. FLOAT VALVE -Not for USA MY 2000,2001,2002,2003,2004 and CDN MY 2000,2001,2002,2003,2004-
7	183255	1	COMPLETE R.H. FLOAT VALVE -Valid for USA MY 2000,2001,2002,2003,2004 and CDN MY 2000,2001,2002,2003,2004- -Valid till stock exhaustion-
7	196483	1	COMPLETE R.H. FLOAT VALVE -Valid for USA MY 2000,2001,2002,2003,2004 and CDN MY 2000,2001,2002,2003,2004-
8	178430	4	CLIP
9	180383	1	COMPLETE L.H. FLOAT VALVE -Not for USA MY 2000,2001,2002,2003,2004 and CDN MY 2000,2001,2002,2003,2004-
9	179627	1	COMPLETE L.H. FLOAT VALVE -Valid for USA MY 2000,2001,2002,2003,2004 and CDN MY 2000,2001,2002,2003,2004- -Valid till stock exhaustion-
9	196480	1	COMPLETE L.H. FLOAT VALVE -Valid for USA MY 2000,2001,2002,2003,2004 and CDN MY 2000,2001,2002,2003,2004-
10	169938	2	GASKET -Valid till stock exhaustion-
10	195049	2	GASKET
11	10977624	30	SCREW
12	12601174	30	WASHER
13	178445	1	R.H. CONNECTION PIPE
14	178753	1	L.H. CONNECTION PIPE
15	170946	2	GASKET
16	171795	2	O.R. GASKET



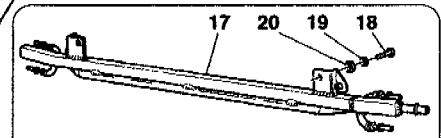
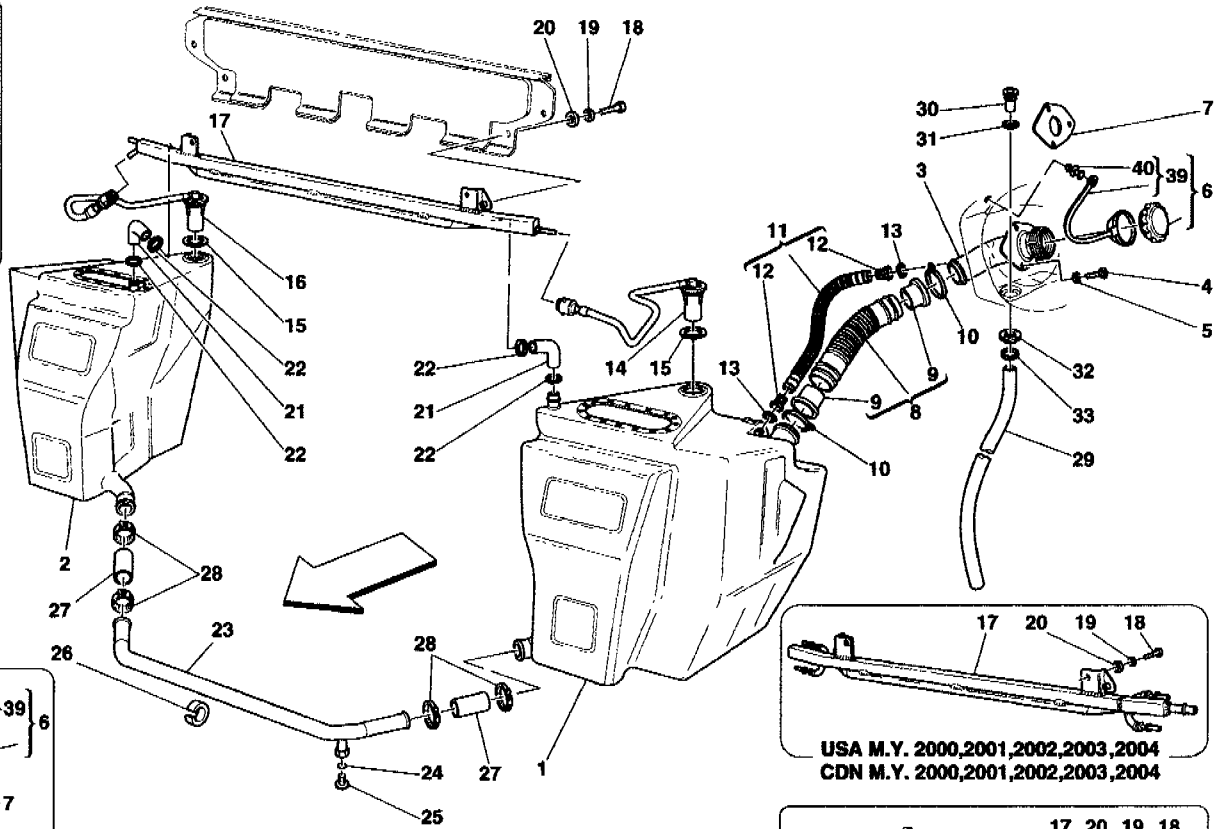
Vale da... Vedi descrizione  
Valid from... See description



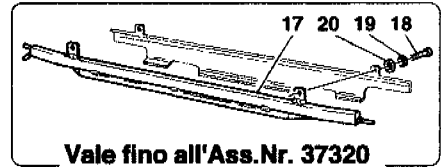
USA MY 2000  
CDN MY 2000



Vale da... Vedi descrizione  
Valid from... See description



USA M.Y. 2000,2001,2002,2003,2004  
CDN M.Y. 2000,2001,2002,2003,2004



Vale fino all'Ass.Nr. 37320  
Valid till Ass.Nr.37320

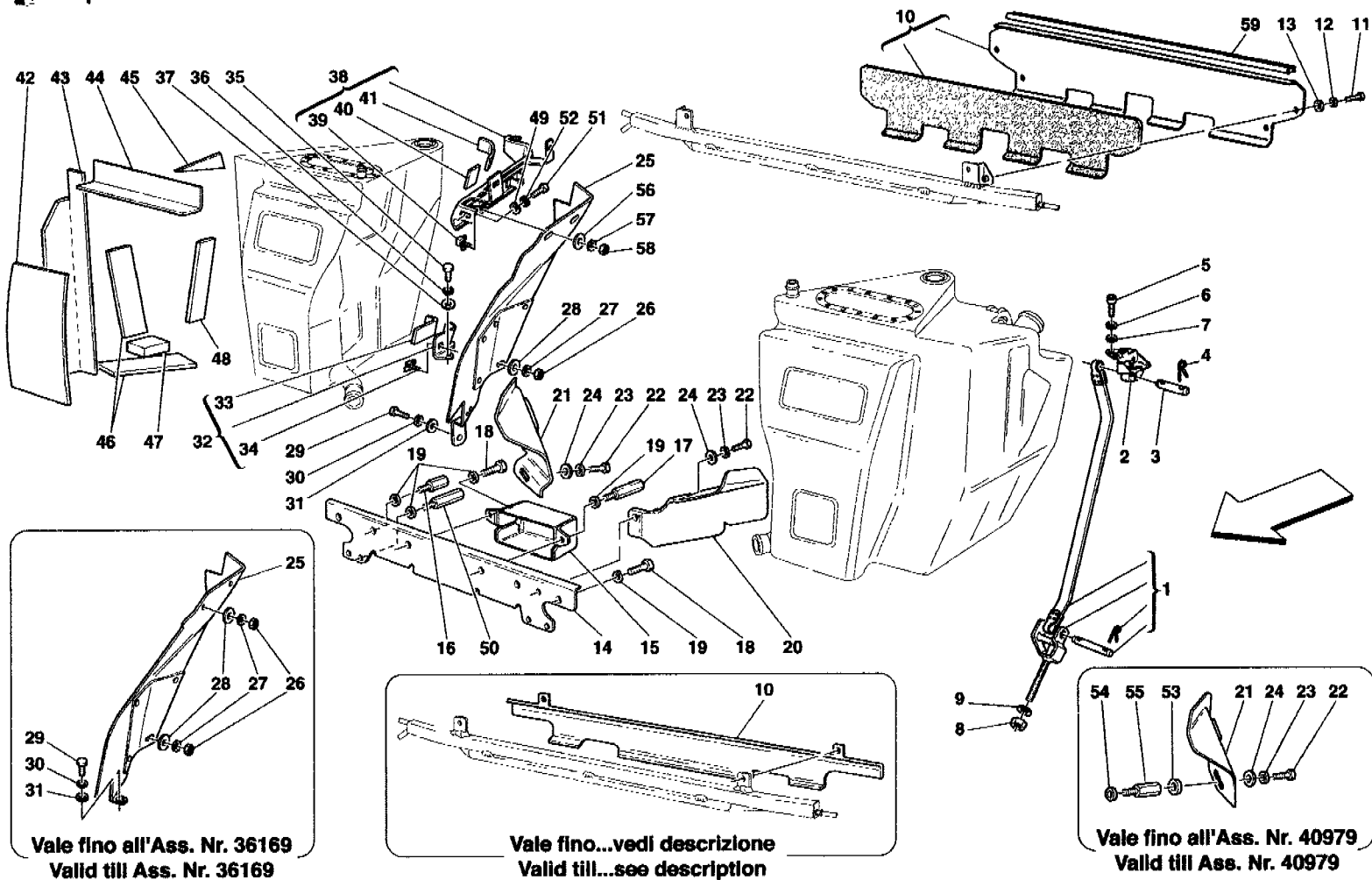
360 Modena - 11 - FUEL TANKS AND UNION

1	175418	1	L.H. FUEL TANK -Not as spare part replaced by 181270-
1	181270	1	L.H. FUEL TANK -Replaces 175418- -Not for USA MY 2000,2001,2002,2003,2004 and CDN MY 2000,2001,2002,2003,2004-
1	179624	1	L.H. FUEL TANK -Valid for USA MY 2000,2001,2002,2003,2004 and CDN MY 2000,2001,2002,2003,2004-
2	175419	1	R.H. FUEL TANK -Not for USA, CDN and AUS- -Not as spare part replaced by 181326-
2	181326	1	R.H. FUEL TANK -Valid for EU GS not F1 and J not F1 till car Ass.Nr. 39158- -Valid for GB not F1 till car Ass.Nr. 39144- -Valid for EU GS F1 and J F1 till car Ass.Nr. 39159- -Valid for GB F1 till car Ass.Nr. 39148- -Not for USA, CDN and AUS-
2	181338	1	R.H. FUEL TANK -Valid for EU GS not F1 and J not F1 from car Ass.Nr. 39159- -Valid for GB not F1 from car Ass.Nr. 39145- -Valid for EU GS F1 and J F1 from car Ass.Nr. 39160- -Valid for GB F1 from car Ass.Nr. 39149- -Valid for USA, CDN and AUS-
3	177638	1	UNION -Valid for catalyzed cars- -Not for USA MY 2000,2001,2002,2003,2004 and CDN MY 2000,2001,2002,2003,2004-
3	180059	1	UNION -Valid for not catalyzed cars- -Not for USA, CDN and AUS-
3	185264	1	UNION -Valid for USA MY 2000 and CDN MY 2000- -Not for USA MY 2001,2002,2003,2004 and CDN MY 2001,2002,2003,2004- -Not as spare part- -Replaced by 187008-
3	187008	1	UNION -Valid for USA MY 2001,2002,2003,2004 and CDN MY 2001,2002,2003,2004-
4	64686900	3	SCREW
5	12601274	3	WASHER -Not as spare part- -Replaced by 10615774-
5	10615774	3	WASHER
6	177572	1	COMPLETE PLUG -Not as spare part replaced by 180118-
6	180118	1	COMPLETE PLUG -Valid for EU GS not F1 and J not F1 till car Ass.Nr. 39158- -Valid for GB not F1 till car Ass.Nr. 39144- -Valid for EU GS F1 and J F1 till car Ass.Nr. 39159- -Valid for GB F1 till car Ass.Nr. 39148- -Valid for AUS till Ass. Nr. 41559- -Not for USA MY 2001,2002,2003,2004 and CDN MY 2001,2002,2003,2004-
6	185777	1	COMPLETE PLUG -Valid for EU GS not F1 and J not F1 from car Ass.Nr. 39159- -Valid for GB not F1 from car Ass.Nr. 39145- -Valid for EU GS F1 and J F1 from car Ass.Nr. 39160- -Valid for GB F1 from car Ass.Nr. 39149- -Valid for AUS from Ass. Nr. 41560- -Valid for USA MY 2001,2002,2003,2004 and CDN MY 2001,2002,2003,2004-
7	172899	1	GASKET
8	177640	1	UNION-TANK CONNECTING

			PIPE -Not for USA MY 2000,2001,2002,2003,2004 and CDN MY 2000,2001,2002,2003,2004-
8	178665	1	UNION-TANK CONNECTING PIPE -Valid for USA MY 2000,2001,2002,2003,2004 and CDN MY 2000,2001,2002,2003,2004-
9	141033	2	GASKET -Not for USA MY 2000,2001,2002,2003,2004 and CDN MY 2000,2001,2002,2003,2004-
10	165398	2	SCREW COLLAR -Not for USA MY 2000,2001,2002,2003,2004 and CDN MY 2000,2001,2002,2003,2004-
10	13000890	2	-Not as spare part- -Replaced by 13000890- SCREW COLLAR -Not for USA MY 2000,2001,2002,2003,2004 and CDN MY 2000,2001,2002,2003,2004-
10	180957	2	SCREW COLLAR -Valid for USA MY 2000,2001,2002,2003,2004 and CDN MY 2000,2001,2002,2003,2004-
11	174101	1	VENT PIPE FROM TANK TO UNION -Not for USA MY 2000,2001,2002,2003,2004 and CDN MY 2000,2001,2002,2003,2004-
12	142106	2	GASKET -Not for USA MY 2000,2001,2002,2003,2004 and CDN MY 2000,2001,2002,2003,2004-
13	164015	2	SCREW COLLAR -Not for USA MY 2000,2001,2002,2003 and CDN MY 2000,2001,2002,2003-
14	180384	1	L.H. VALVE WITH PIPE -Not for USA MY 2000,2001,2002,2003,2004 and CDN MY 2000,2001,2002,2003,2004-
14	180606	1	L.H. VALVE WITH PIPE -Valid for USA MY 2000,2001,2002,2003,2004 and CDN MY 2000,2001,2002,2003,2004-
14	196481	1	-Valid till stock exhaustion- L.H. VALVE WITH PIPE -Valid for USA MY 2000,2001,2002,2003,2004 and CDN MY 2000,2001,2002,2003,2004-
15	169938	2	GASKET -Valid till stock exhaustion-
15	195049	2	GASKET
16	180382	1	R.H. VALVE WITH PIPE -Not for USA MY 2000,2001,2002,2003,2004 and CDN MY 2000,2001,2002,2003,2004-
16	180608	1	R.H. VALVE WITH PIPE -Valid for USA MY 2000,2001,2002,2003,2004 and CDN MY 2000,2001,2002,2003,2004-
16	196482	1	-Valid till stock exhaustion- R.H. VALVE WITH PIPE -Valid for USA MY 2000,2001,2002,2003,2004 and CDN MY 2000,2001,2002,2003,2004-
17	179511	1	DISAREATOR -Not for USA MY 2000,2001,2002,2003,2004 and CDN MY 2000,2001,2002,2003,2004-
17	181989	1	-Valid till Ass. Nr. 37320- DISAREATOR -Not for USA MY 2000,2001,2002,2003,2004 and CDN MY 2000,2001,2002,2003,2004-
17	182964	1	-Valid from Ass. Nr. 37321- DISAREATOR -Valid for USA MY 2000,2001,2002,2003,2004 and CDN MY 2000,2001,2002,2003,2004-
18	10902411	2	SCREW
19	127494	2	WASHER
20	10523424	2	WASHER
21	166602	2	SLEEVE
22	13000390	4	SCREW COLLAR

23	178347	1	TANKS CONNECTION PIPE -Not as spare part replaced by 181695-
23	181695	1	TANKS CONNECTION PIPE -Replaces 178347-
24	123622	1	GASKET
25	148045	1	THREADED PLUG
26	177437	6	RUBBER THICKNESS
27	114277	2	RUBBER HOSE
28	168220	4	SCREW COLLAR
29	180067	1	WATER EXHAUST TUBE -Valid till stock exhaustion-
29	193286	1	WATER EXHAUST TUBE -Valid after stock exhaustion of 180067-
30	64872000	1	SLEEVE
31	65064500	1	GASKET
32	104919	1	RING NUT
33	177553	1	CLAMP
34	179137	1	FUEL PRESSURE SENSOR -Valid for EU GS not F1 and J not F1 from car Ass.Nr. 39159- -Valid for GB not F1 from car Ass.Nr. 39145- -Valid for EU GS F1 and J F1 from car Ass.Nr. 39160- -Valid for GB F1 from car Ass.Nr. 39149- -Valid for USA, CDN and AUS-
35	115148	1	RUBBER HOSE -Valid for EU GS not F1 and J not F1 from car Ass.Nr. 39159- -Valid for GB not F1 from car Ass.Nr. 39145- -Valid for EU GS F1 and J F1 from car Ass.Nr. 39160- -Valid for GB F1 from car Ass.Nr. 39149- -Valid for USA, CDN and AUS-
36	10977714	1	SCREW -Valid for EU GS not F1 and J not F1 from car Ass.Nr. 39159- -Valid for GB not F1 from car Ass.Nr. 39145- -Valid for EU GS F1 and J F1 from car Ass.Nr. 39160- -Valid for GB F1 from car Ass.Nr. 39149- -Valid for USA, CDN and AUS-
37	12601174	1	WASHER -Valid for EU GS not F1 and J not F1 from car Ass.Nr. 39159- -Valid for GB not F1 from car Ass.Nr. 39145- -Valid for EU GS F1 and J F1 from car Ass.Nr. 39160- -Valid for GB F1 from car Ass.Nr. 39149- -Valid for USA, CDN and AUS-
38	12637824	1	WASHER -Valid for EU GS not F1 and J not F1 from car Ass.Nr. 39159- -Valid for GB not F1 from car Ass.Nr. 39145- -Valid for EU GS F1 and J F1 from car Ass.Nr. 39160- -Valid for GB F1 from car Ass.Nr. 39149- -Valid for USA, CDN and AUS-
39	186866	1	COMPLETE RING -Valid for EU GS not F1 and J not F1 from car Ass.Nr. 39159- -Valid for GB not F1 from car Ass.Nr. 39145- -Valid for EU GS F1 and J F1 from car Ass.Nr. 39160- -Valid for GB F1 from car Ass.Nr. 39149- -Valid for AUS from Ass. Nr. 41560- -Valid for USA MY 2001,2002,2003,2004 and CDN MY 2001,2002,2003,2004-
40	186172	1	RETAINER FOR STRING -Valid for EU GS not F1 and J not F1 from car Ass.Nr. 39159- -Valid for GB not F1 from car Ass.Nr. 39145- -Valid for EU GS F1 and J F1 from car Ass.Nr. 39160- -Valid for GB F1 from car Ass.Nr. 39149- -Valid for AUS from Ass. Nr. 41560- -Valid for USA MY 2001,2002,2003 and CDN MY 2001,2002,2003-

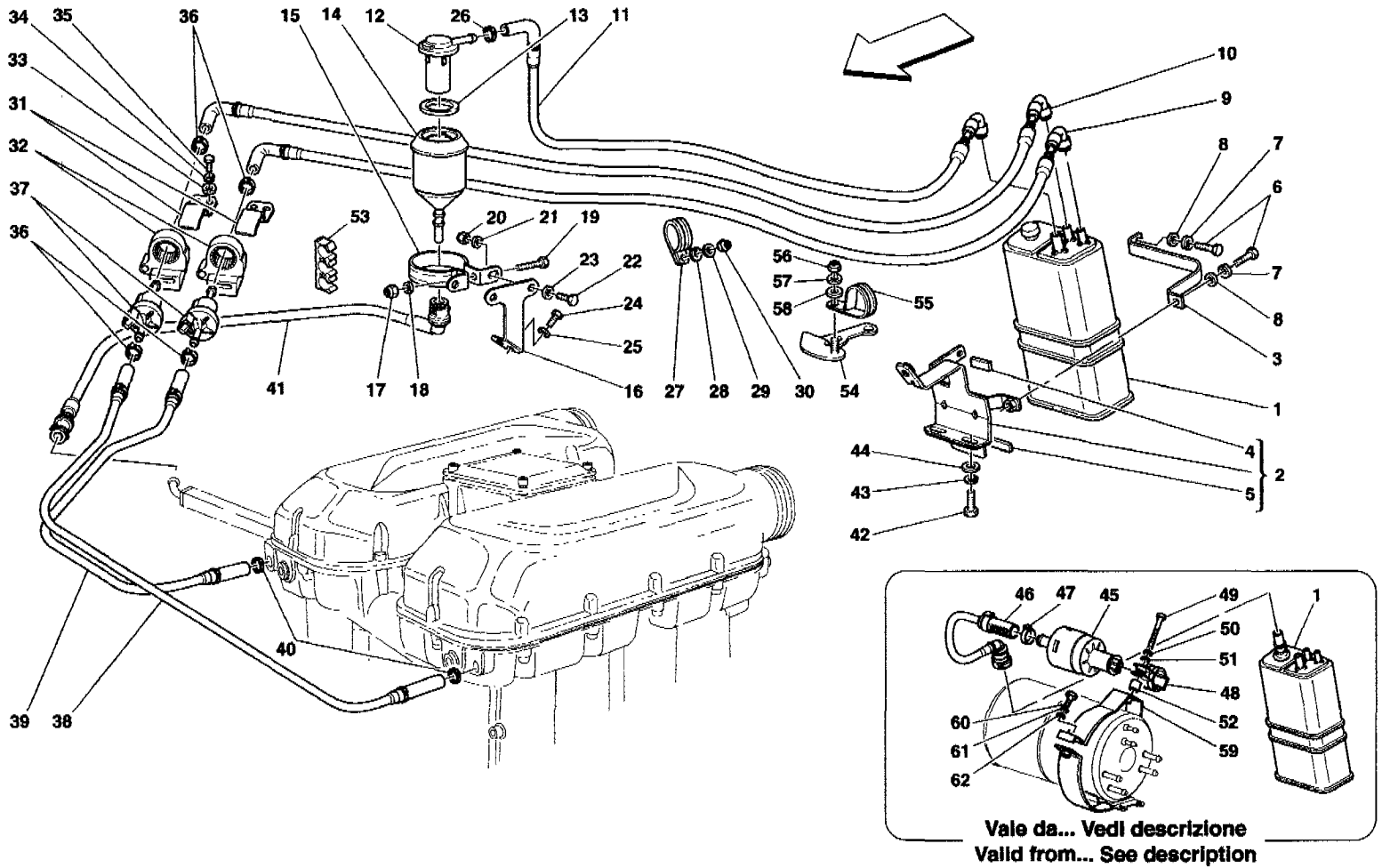




## 360 Modena - 12 - FUEL TANKS - FIXING AND PROTECTION

1	174098	2	FUEL TANK FASTENER -Not as spare part replaced by 180348-
1	180348	2	FUEL TANK FASTENER -Replaces 174098-
2	174445	1	R.H. BRACKET
2	175768	1	L.H. BRACKET
3	103447	2	PIN
4	10796440	4	SPLIT PIN
5	14305324	6	SCREW
6	12605374	6	WASHER
7	10519424	6	WASHER
8	104030	2	NUT
9	14496524	2	WASHER
10	179526	1	DISAREATOR ANTI-HEAT SHIELD -Not for USA MY 2000,2001,2002,2003,2004 and CDN MY 2000,2001,2002,2003,2004- -Valid till Ass. Nr. 37320-
10	178636	1	DISAREATOR ANTI-HEAT SHIELD -Valid for USA MY 2000,2001,2002,2003,2004 and CDN MY 2000,2001,2002,2003,2004- -Not for USA MY 2000,2001,2002,2003,2004 and CDN MY 2000,2001,2002,2003,2004 from Ass. Nr. 37320-
11	10977524	4	SCREW -Valid from Ass. Nr. 37320-
12	127493	4	WASHER -Valid from Ass. Nr. 37320-
13	12601174	4	WASHER -Valid from Ass. Nr. 37320-
14	176993	1	PROTECTION PLATE
15	186045	1	FRAME
16	178772	1	STUD
17	179242	1	STUD
18	10902421	7	SCREW
19	13550221	10	WASHER
20	180233	1	LOWER L.H. ANTI-HEAT SHIELD
21	180234	1	LOWER R.H. ANTI-HEAT SHIELD -Valid till Ass. Nr. 35229-
21	182238	1	LOWER R.H. ANTI-HEAT SHIELD -Valid from Ass. Nr. 35230 till Ass. Nr. 40979-
21	188471	1	LOWER R.H. ANTI-HEAT SHIELD -Valid from Ass. Nr. 40980-
22	10902424	4	SCREW
23	12605374	4	WASHER
24	14499324	4	WASHER
25	180232	1	R.H. ANTI-HEAT SHIELD -Valid till Ass. Nr. 36169-
25	184301	1	R.H. ANTI-HEAT SHIELD -Valid from Ass. Nr. 36170-
25	180231	1	L.H. ANTI-HEAT SHIELD -Valid till Ass. Nr. 36169-
25	184300	1	L.H. ANTI-HEAT SHIELD -Valid from Ass. Nr. 36170-
26	15896214	4	NUT -Valid till Ass. Nr. 36169 with Q.ty 4- -Valid from Ass. Nr. 36170 with Q.ty 2-
27	12605374	4	WASHER -Valid till Ass. Nr. 36169 with Q.ty 4- -Valid from Ass. Nr. 36170 with Q.ty 2-
28	12644424	4	WASHER -Valid till Ass. Nr. 36169 with Q.ty 4- -Valid from Ass. Nr. 36170 with Q.ty 2-
29	10902424	4	SCREW
30	12605374	4	WASHER
31	14499324	4	WASHER
32	177775	1	LOWER BRACKET FOR R.H. TANK FIXING
32	177774	1	LOWER BRACKET FOR L.H. TANK FIXING

33	177773	1	R.H. RUBBER THICKNESS
33	177772	1	L.H. RUBBER THICKNESS
34	14664790	2	SCREW WITH CAGE
35	10902424	4	SCREW
36	12605374	4	WASHER
37	12647624	4	WASHER
38	177770	1	BRACKET FOR R.H. TANK FIXING
38	177771	1	BRACKET FOR L.H. TANK FIXING
39	14664790	4	SCREW WITH CAGE
40	177769	4	RUBBER THICKNESS
41	177768	2	RUBBER THICKNESS
42	177752	2	RUBBER THICKNESS
43	181191	1	R.H. RUBBER THICKNESS
43	181192	1	L.H. RUBBER THICKNESS
44	181377	2	RUBBER THICKNESS
45	177753	1	R.H. RUBBER THICKNESS
45	177763	1	L.H. RUBBER THICKNESS
46	177749	4	RUBBER THICKNESS
47	177748	2	RUBBER THICKNESS
48	159147	2	RUBBER THICKNESS
49	12647624	2	WASHER
50	182363	1	STUD
			-From Ass. Nr. 36945 for GS and from Ass. Nr. 37248 for GD stud fasten pipe 185514 for GS and 185515 for GD-
51	10902424	2	SCREW
52	12605374	2	WASHER
53	12643724	1	WASHER
			-Valid till Ass. Nr. 40979-
54	12644424	1	WASHER
			-Valid till Ass. Nr. 40979-
55	178772	1	STUD
			-From Ass. Nr. 36945 for GS and from Ass. Nr. 37248 for GD stud fasten shield 182238-
			-Valid till Ass. Nr. 40979-
56	10519424	2	WASHER
			-Valid from Ass. Nr. 36170-
57	12644424	2	WASHER
			-Valid from Ass. Nr. 36170-
58	102741	2	NUT
			-Valid from Ass. Nr. 36170-
59	190115	1	RUBBER GASKET

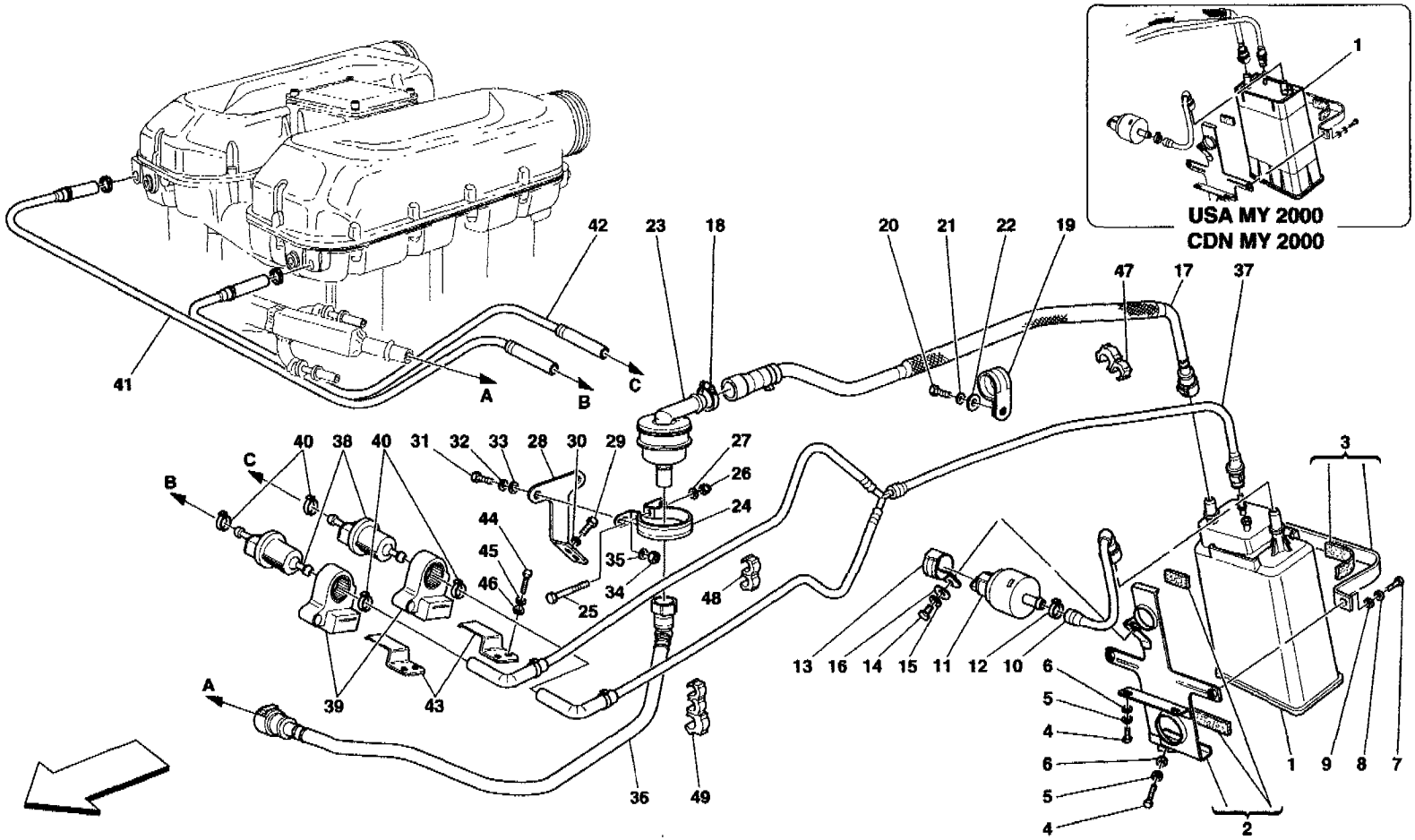


360 Modena - 13 - ANTIEVAPORATION DEVICE -Not for USA MY 2000,2001,2002,2003,2004 and CDN MY 2000,2001,2002,2003,2004-

1	174782	1	FUEL VAPOR FILTER -Valid for EU GS not F1 and J not F1 till car Ass.Nr. 39158- -Valid for GB not F1 till car Ass.Nr. 39144- -Valid for EU GS F1 and J F1 till car Ass.Nr. 39159- -Valid for GB F1 till car Ass.Nr. 39148- -Not for USA, CDN and AUS-
1	180132	1	FUEL VAPOR FILTER -Valid for EU GS not F1 and J not F1 from car Ass.Nr. 39159- -Valid for GB not F1 from car Ass.Nr. 39145- -Valid for EU GS F1 and J F1 from car Ass.Nr. 39160- -Valid for GB F1 from car Ass.Nr. 39149- -Valid for USA, CDN and AUS-
2	178451	1	DEWATERER FILTER FIXING BRACKET
3	178456	1	BRACKET
4	178458	1	RUBBER THICKNESS
5	178457	1	RUBBER THICKNESS
6	10902124	2	SCREW
7	127494	2	WASHER
8	12639724	2	WASHER
9	180376	1	PIPE FROM FILTER TO REAR VALVE
10	180375	1	PIPE FROM FILTER TO FRONT VALVE
11	180374	1	PIPE FROM FILTER TO MULTIFUNCTIONAL VALVE
12	179716	1	MULTIFUNCTIONAL VALVE -Not as spare part replaced by 180030-
12	180030	1	ANTI ROLL-OVER VALVE
13	169938	1	GASKET
14	175967	1	MULTIFUNCTIONAL VALVE CONTAINER
15	176393	1	BRACKET WITH SHEATH
16	176442	1	BRACKET
17	102741	1	NUT
18	12639724	1	WASHER
19	10902834	1	SCREW
20	10720124	2	NUT
21	12644424	2	WASHER
22	10902024	2	SCREW
23	127494	2	WASHER
24	10902224	2	SCREW
25	12644424	2	WASHER
26	13432070	1	SCREW COLLAR
27	10442290	1	BRACKET WITH SHEATH
28	127494	2	WASHER
29	12644424	2	WASHER
30	15896214	2	NUT
31	174708	2	BRACKET
32	174623	2	BUFFER FOR SUPPORT
33	12644424	2	WASHER
34	127494	2	WASHER
35	10979434	2	SCREW
36	13432070	4	SCREW COLLAR
37	162412	2	ANTI-EVAPORATION VALVE
38	180377	1	PIPE TO ENGINE L.H. SIDE
39	180378	1	PIPE TO ENGINE R.H. SIDE
40	13432070	2	SCREW COLLAR
41	180373	1	PIPE FROM MULTIFUNCTIONAL VALVE TO DISAREATOR
42	10902224	2	SCREW
43	12639724	2	WASHER
44	127494	2	WASHER
45	179138	1	INTERCEPTION VALVE -Valid for EU GS not F1 and J not F1 from car Ass.Nr. 39159- -Valid for GB not F1 from car Ass.Nr. 39145-

46	180155	1	<p>-Valid for EU GS F1 and J F1 from car Ass.Nr. 39160-          -Valid for GB F1 from car Ass.Nr. 39149-          -Valid for USA, CDN and AUS-  <b>COMPLETE TUBE</b>          -Valid for EU GS not F1 and J not F1 from car Ass.Nr. 39159-          -Valid for GB not F1 from car Ass.Nr. 39145-          -Valid for EU GS F1 and J F1 from car Ass.Nr. 39160-          -Valid for GB F1 from car Ass.Nr. 39149-          -Valid for USA, CDN and AUS-</p>
47	164015	1	<p><b>COLLAR FOR SLEEVE</b>          -Valid for EU GS not F1 and J not F1 from car Ass.Nr. 39159-          -Valid for GB not F1 from car Ass.Nr. 39145-          -Valid for EU GS F1 and J F1 from car Ass.Nr. 39160-          -Valid for GB F1 from car Ass.Nr. 39149-          -Valid for USA, CDN and AUS-</p>
48	181607	1	<p><b>BRACKET WITH SHEATH</b>          -Valid for EU GS not F1 and J not F1 from car Ass.Nr. 39159-          -Valid for GB not F1 from car Ass.Nr. 39145-          -Valid for EU GS F1 and J F1 from car Ass.Nr. 39160-          -Valid for GB F1 from car Ass.Nr. 39149-          -Valid for USA, CDN and AUS-</p>
49	10903024	1	<p><b>SCREW</b>          -Valid for EU GS not F1 and J not F1 from car Ass.Nr. 39159-          -Valid for GB not F1 from car Ass.Nr. 39145-          -Valid for EU GS F1 and J F1 from car Ass.Nr. 39160-          -Valid for GB F1 from car Ass.Nr. 39149-          -Valid for USA, CDN and AUS-</p>
50	127494	1	<p><b>WASHER</b>          -Valid for EU GS not F1 and J not F1 from car Ass.Nr. 39159-          -Valid for GB not F1 from car Ass.Nr. 39145-          -Valid for EU GS F1 and J F1 from car Ass.Nr. 39160-          -Valid for GB F1 from car Ass.Nr. 39149-          -Valid for USA, CDN and AUS-</p>
51	12639724	1	<p><b>WASHER</b>          -Valid for EU GS not F1 and J not F1 from car Ass.Nr. 39159-          -Valid for GB not F1 from car Ass.Nr. 39145-          -Valid for EU GS F1 and J F1 from car Ass.Nr. 39160-          -Valid for GB F1 from car Ass.Nr. 39149-          -Valid for USA, CDN and AUS-</p>
52	172613	1	<p><b>SPACER</b>          -Valid for EU GS not F1 and J not F1 from car Ass.Nr. 39159-          -Valid for GB not F1 from car Ass.Nr. 39145-          -Valid for EU GS F1 and J F1 from car Ass.Nr. 39160-          -Valid for GB F1 from car Ass.Nr. 39149-          -Valid for USA, CDN and AUS-</p>
53	145543	1	<b>FLEXIBLE CLIP</b>
54	180179	1	<b>BRACKET</b>
55	10442090	1	<b>BRACKET WITH SHEATH</b>
56	15896214	1	<b>NUT</b>
57	127494	1	<b>WASHER</b>
58	12644424	1	<b>WASHER</b>
59	199625	1	<p><b>CLAMP</b>          -Valid for EU GS not F1 and J not F1 from car Ass.Nr. 39159-          -Valid for GB not F1 from car Ass.Nr. 39145-          -Valid for EU GS F1 and J F1 from car Ass.Nr. 39160-          -Valid for GB F1 from car Ass.Nr. 39149-          -Valid for USA, CDN and AUS-</p>
60	10902324	1	<p><b>SCREW</b>          -Valid for EU GS not F1 and J not F1 from car Ass.Nr. 39159-          -Valid for GB not F1 from car Ass.Nr. 39145-          -Valid for EU GS F1 and J F1 from car Ass.Nr. 39160-          -Valid for GB F1 from car Ass.Nr. 39149-          -Valid for USA, CDN and AUS-</p>

61	12639724	1	WASHER -Valid for EU GS not F1 and J not F1 from car Ass.Nr. 39159- -Valid for GB not F1 from car Ass.Nr. 39145- -Valid for EU GS F1 and J F1 from car Ass.Nr. 39160- -Valid for GB F1 from car Ass.Nr. 39149-
62	127494	1	WASHER -Valid for EU GS not F1 and J not F1 from car Ass.Nr. 39159- -Valid for GB not F1 from car Ass.Nr. 39145- -Valid for EU GS F1 and J F1 from car Ass.Nr. 39160- -Valid for GB F1 from car Ass.Nr. 39149-

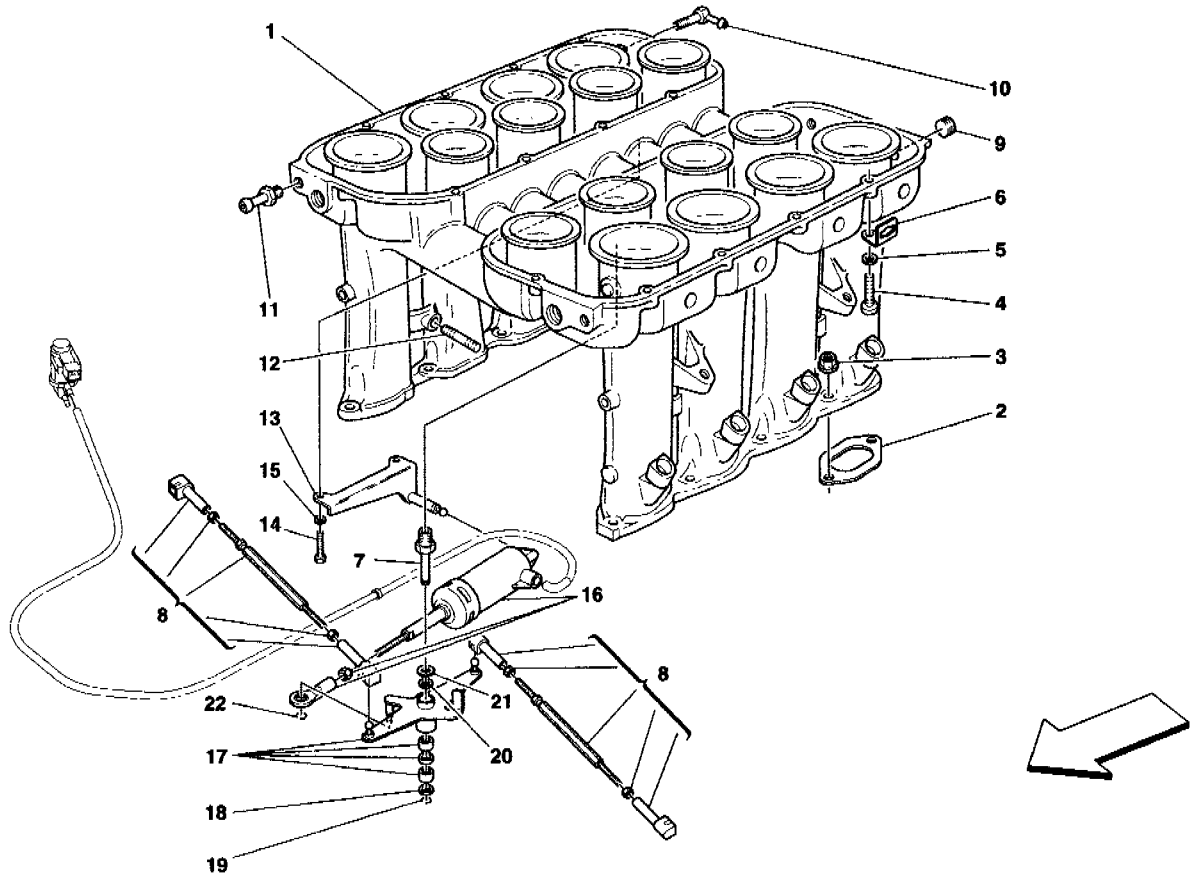




36Q Modema - 14 - ANTIEVAPORATION DEVICE -Valid for USA MY 2000,2001,2002,2003,2004 and CDN MY 2000,2001,2002,2003,2004-

1	178536	1	FUEL VAPOR FILTER -Not for USA MY 2001,2002,2003,2004 and CDN MY 2001,2002,2003,2004-
1	186316	1	FUEL VAPOR FILTER -Valid for USA MY 2001, 2002,2003,2004 and CDN MY 2001,2002,2003,2004-
2	180615	1	FRAME FASTENING FILTER BRACKET
3	180636	1	VAPOR FILTER FIXING CLAMP
4	10902224	3	SCREW
5	127494	3	WASHER
6	12639724	3	WASHER
7	10902124	2	SCREW
8	127494	2	WASHER
9	12639724	2	WASHER
10	178540	1	COMPLETE TUBE
11	179138	1	ON-OFF VALVE
12	13432070	1	SCREW COLLAR
13	181607	1	BRACKET WITH SHEATH
14	10979414	1	SCREW
15	12644424	1	WASHER
16	127494	1	WASHER
17	178534	1	COMPLETE TUBE
18	13430770	1	SCREW COLLAR
19	10442190	1	BRACKET WITH SHEATH
20	10902124	1	SCREW
21	127494	1	WASHER
22	12643724	1	WASHER
23	180573	1	ANTI FLOWING BACK VALVE
24	180622	1	BRACKET
25	10902834	1	SCREW
26	102741	1	NUT
27	12639724	1	WASHER
28	178532	1	BRACKET
29	10902224	2	SCREW
30	12644424	2	WASHER
31	10902024	2	SCREW
32	127494	2	WASHER
33	12644424	2	WASHER
34	10720124	2	NUT
35	12644424	2	WASHER
36	178531	1	COMPLETE TUBE
37	179425	1	COMPLETE TUBE
38	162412	2	WASHING VALVE
39	174623	2	BUFFER FOR SUPPORT
40	13432070	4	SCREW COLLAR
41	180609	1	PIPE TO R.H. PLENUM CHAMBER
42	180610	1	PIPE TO L.H. PLENUM CHAMBER
43	174708	2	BRACKET
44	10979434	2	SCREW
45	127494	2	WASHER
46	12644424	2	WASHER
47	180972	1	FLEXIBLE CLIP
48	180968	1	FLEXIBLE CLIP
49	180969	1	FLEXIBLE CLIP

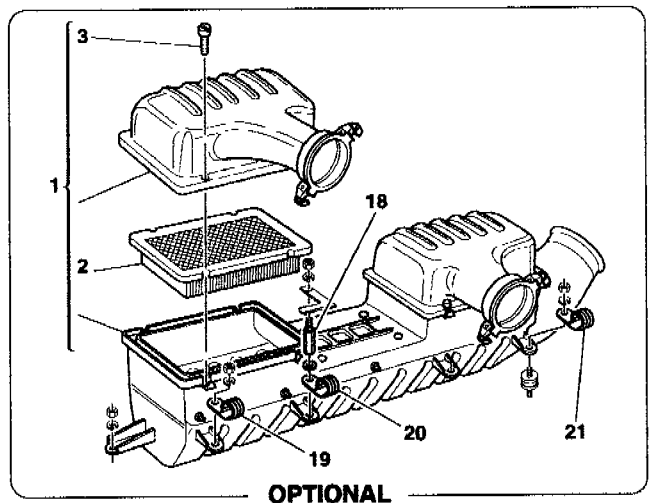
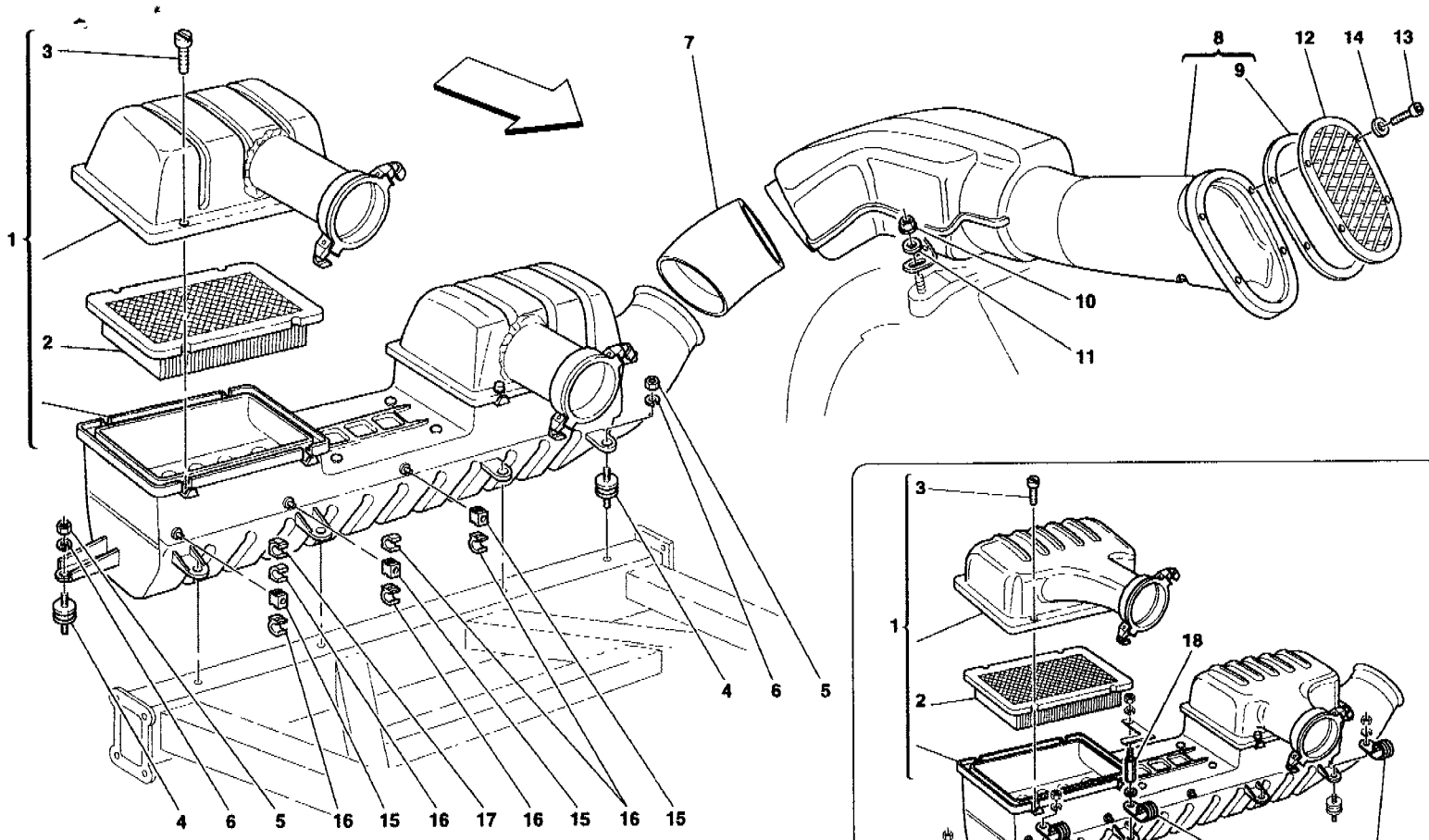
360 Modena - 15 - AIR INTAKE MANIFOLD



360 Modena - 15 - AIR INTAKE MANIFOLD

1	171244	1	SUCTION MANIFOLD -Valid till stock exhaustion-
1	182315	1	SUCTION MANIFOLD -Valid after stock exhaustion of 171244-
1	198918	1	SUCTION MANIFOLD -Valid for carbon version- -Optional-
2	172544	8	GASKET
3	159601	16	NUT
4	14305424	16	SCREW
5	11197774	16	WASHER
6	178844	4	PIPES FIXING BRACKET
7	177602	1	PIN
8	177554	2	COMPLETE TIE ROD
9	182095	2	THREADED PLUG -Q.ty 3 from Ass. Nr. 49528-
10	179051	2	UNION
11	182094	4	UNION
12	182696	4	STUD
13	168253	1	BRACKET FOR ACTUATOR
14	182097	2	SCREW
15	177647	2	WASHER
16	168275	1	PNEUMATIC ACTUATOR
17	182099	1	COMPLETE LEVER
18	177633	1	WASHER
19	177669	1	SEEGER RING
20	177618	4	WASHER
21	182098	1	WASHER
22	177624	1	SEEGER RING

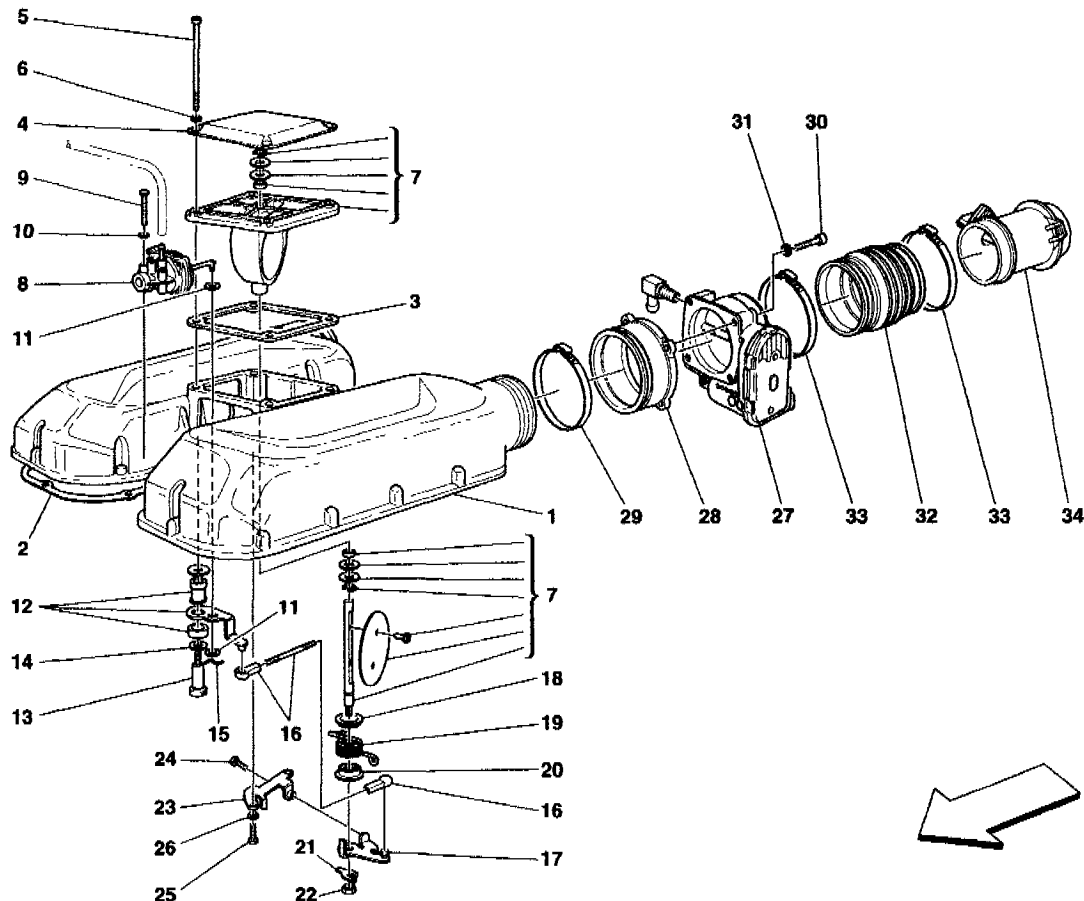
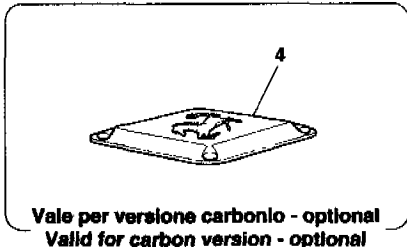
360 Modena - 16 - AIR INTAKE



360 Modena - 16 - AIR INTAKE

1	175043	1	COMPLETE FILTER BOX
1	209636	1	COMPLETE FILTER BOX -Valid for carbon version- -Optional
2	170689	2	AIR FILTER -Not as spare part- -Replaced by 190880-
2	190880	2	AIR FILTER
3	157757	8	SCREW -Not as spare part- -Replaced by 193276-
3	193276	8	SCREW
4	142202	6	PAD
5	15896214	6	NUT
6	12643724	6	WASHER
7	176924	1	SLEEVE
8	178439	1	AIR CONVEYOR
9	178293	1	RUBBER THICKNESS
10	14059211	1	NUT
11	12643724	1	WASHER
12	63580500	2	COMPLETE GRILL
13	13274211	4	SCREW
14	12638124	4	WASHER
15	155781	3	ANCHORAGE
16	140130	5	CLIP
17	157709	4	CLIP
18	200813	1	STUD -Valid for racing exhaust version- -Optional-
19	10441790	1	BRACKET WITH SHEATH -Valid for racing exhaust version- -Optional-
20	10441590	1	BRACKET WITH SHEATH -Valid for racing exhaust version- -Optional-
21	10441490	1	BRACKET WITH SHEATH -Valid for racing exhaust version- -Optional-

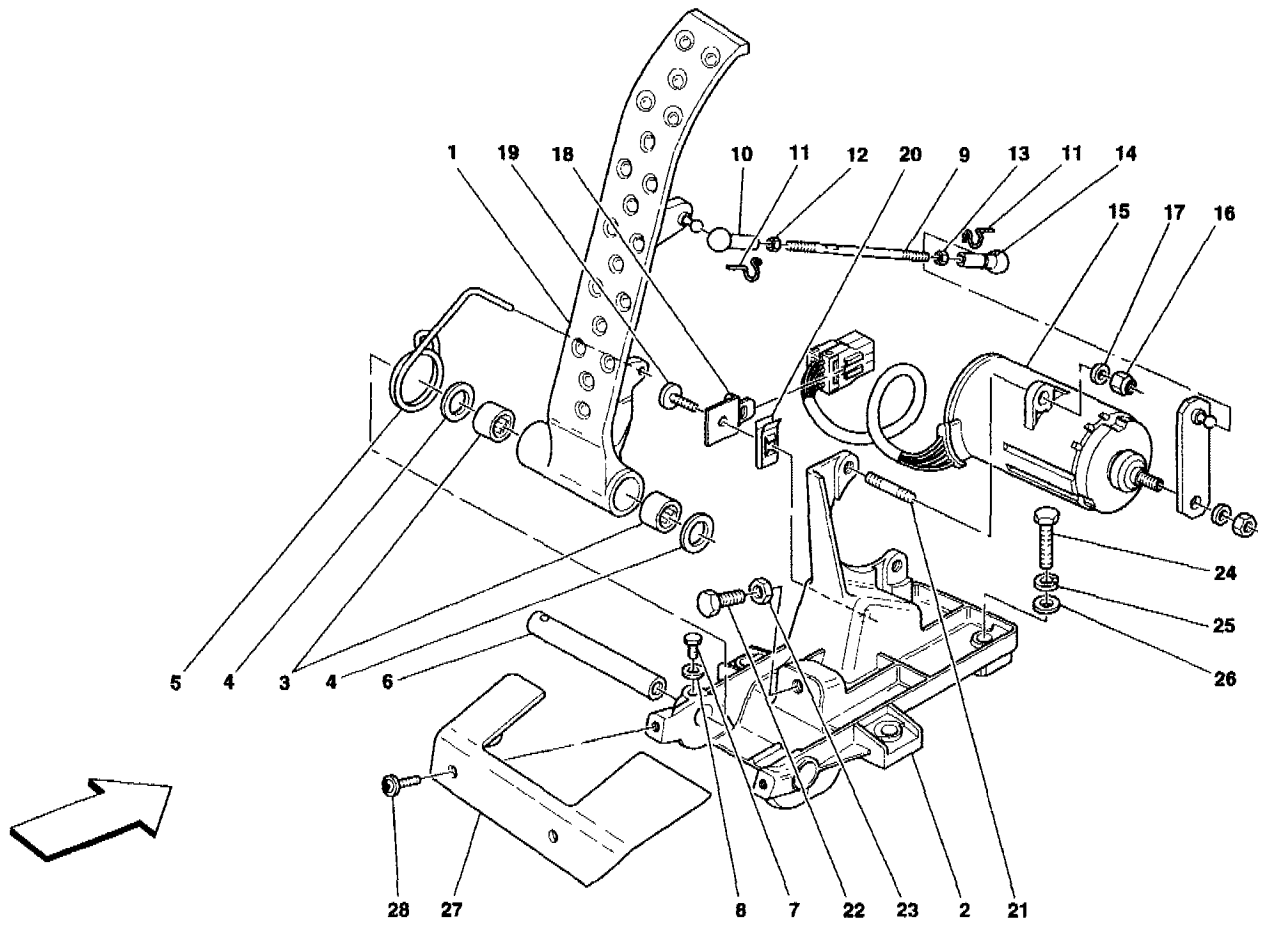
360 Modena - 17 - AIR INTAKE MANIFOLD COVER



## 360 Modena - 17 - AIR INTAKE MANIFOLD COVER

1	182085	1	SUCTION MANIFOLD COVER -Not as spare part-
1	179752	1	-Replaced by 188315- SUCTION MANIFOLD COVER -Not as spare part- -With complete suction manifold cover 182085-
1	188315	1	SUCTION MANIFOLD COVER -Not as spare part-
1	191873	1	-Replaced by 191873- SUCTION MANIFOLD COVER
1	182461	1	SUCTION MANIFOLD COVER -Not as spare part- -With complete suction manifold cover 188315-
1	186284	1	SUCTION MANIFOLD COVER -Not as spare part- -With complete suction manifold cover 191873-
2	174192	1	R.H. GASKET
2	168145	1	L.H. GASKET
3	168205	1	COMPENSATION DUCTING GASKET
4	176106	1	COMPENSATION DUCTING COVER
4	198215	1	COMPENSATION DUCTING COVER -Valid for carbon version- -Optional-
5	176154	4	SCREW
6	182086	4	WASHER
7	182092	1	COMPLETE COMPENSATION DUCTING
8	136815	1	PNEUMATIC CAPSULE
9	177644	2	SCREW
10	177646	2	WASHER
11	182087	2	WASHER
12	182089	1	LEVER SET
13	177600	1	PIN
14	182093	1	WASHER
15	182088	1	PIN
16	177565	1	COMPLETE TIE ROD
17	177560	1	COMPLETE IDLING LEVER
18	177626	1	BUSH FOR SPRING
19	177578	1	SPRING
20	177586	1	BUSHING
21	177639	1	SAFETY SMALL PLATE
22	182091	1	NUT
23	177564	1	SUPPORT
24	182090	1	SCREW
25	177652	2	SCREW
26	177651	2	WASHER
27	171716	2	THROTTLE HOLDER
28	177132	2	SPACER FOR THROTTLE HOLDER
29	177981	2	SPECIAL CLAMP
30	14305824	8	SCREW
31	12581474	8	WASHER
32	160701	2	SLEEVE
33	177982	4	SPECIAL CLAMP
34	171707	2	AIR FLOW METER

360 Modena v18 - ELECTRONIC ACCELERATOR PEDAL

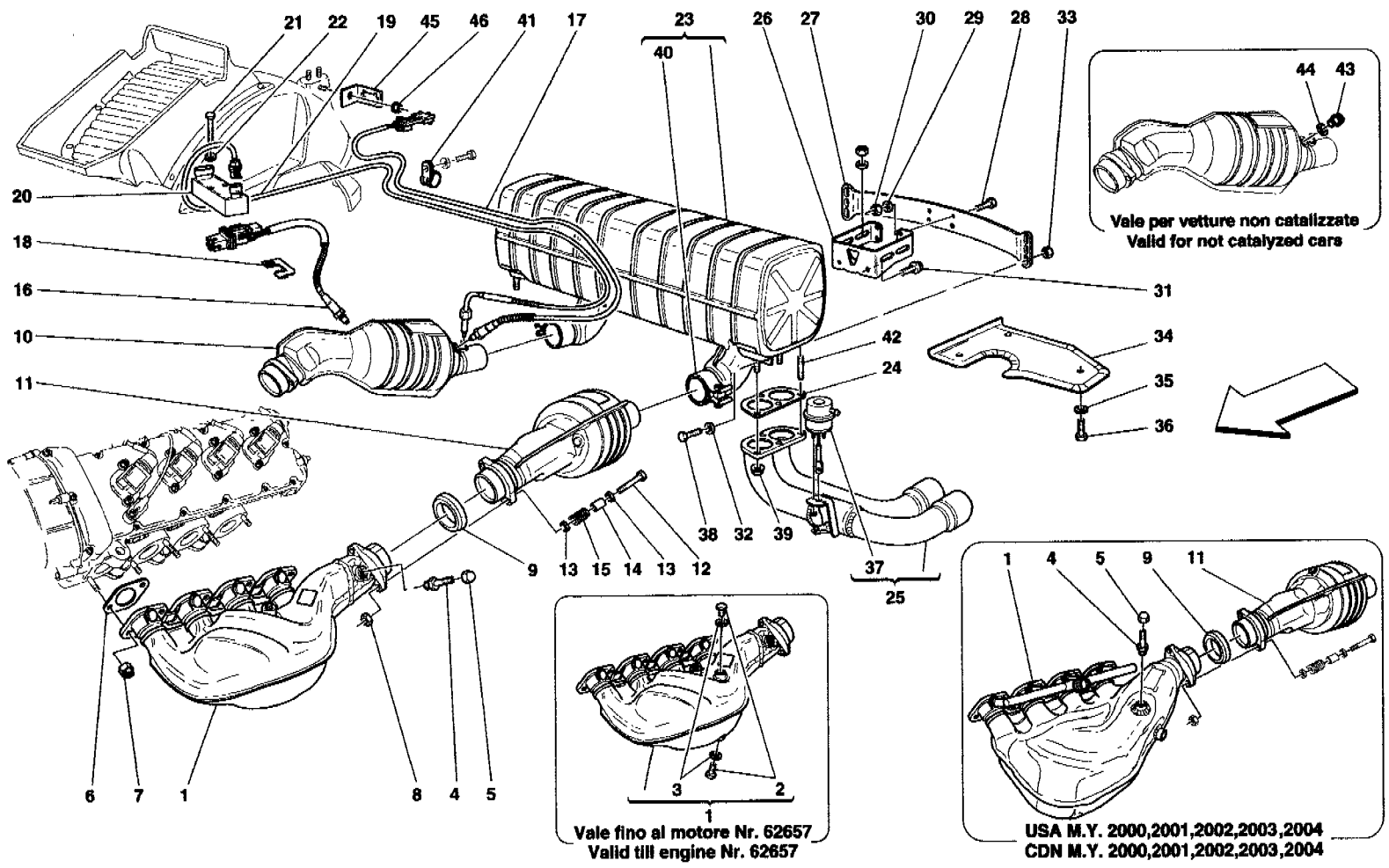




360 Modena - 18 - ELECTRONIC ACCELERATOR PEDAL

1	180220	1	ACCELERATOR PEDAL -Valid till stock exhaustion-
1	196180	1	ACCELERATOR PEDAL
2	171464	1	ACCELERATOR PEDAL SUPPORT -Not as spare part- -Replaced by 185452-
2	185452	1	ACCELERATOR PEDAL SUPPORT
3	101677	2	ROLLER BEARING
4	157115	2	WASHER
5	175351	1	RETUTN SPRING FOR PEDAL
6	171468	1	ROLLER CAGE RACE
7	10977524	1	SCREW
8	12601174	1	WASHER
9	171466	1	PUSH ROD -Not for GD-
9	181258	1	PUSH ROD -Valid for GD-
10	173999	1	BALL JOINT HEAD
11	174001	2	CLIP
12	15896470	1	NUT
13	105586	1	L.H. THREADED NUT
14	174000	1	BALL JOINT HEAD
15	170038	1	ACCELERATOR PEDAL POTENTIOMETER
16	102948	2	NUT
17	10519424	2	WASHER
18	170925	1	BRACKET FOR CONNECTOR FIXING
19	14071911	1	SCREW
20	14371274	1	BRACKET
21	11500324	2	STUD
22	16043621	1	SCREW
23	16102314	1	NUT
24	10902624	3	SCREW
25	127494	3	WASHER
26	14496424	3	WASHER
27	65709100	1	ACCELERATOR PEDAL COVER -Not for GD-
27	65711900	1	ACCELERATOR PEDAL COVER -Valid for GD-
28	65752800	2	SCREW

36Q Modena - 19 - EXHAUST SYSTEM



Vale fino al motore Nr. 62657  
Valid till engine Nr. 62657

Vale per vetture non catalizzate  
Valid for not catalyzed cars

USA M.Y. 2000,2001,2002,2003,2004  
CDN M.Y. 2000,2001,2002,2003,2004

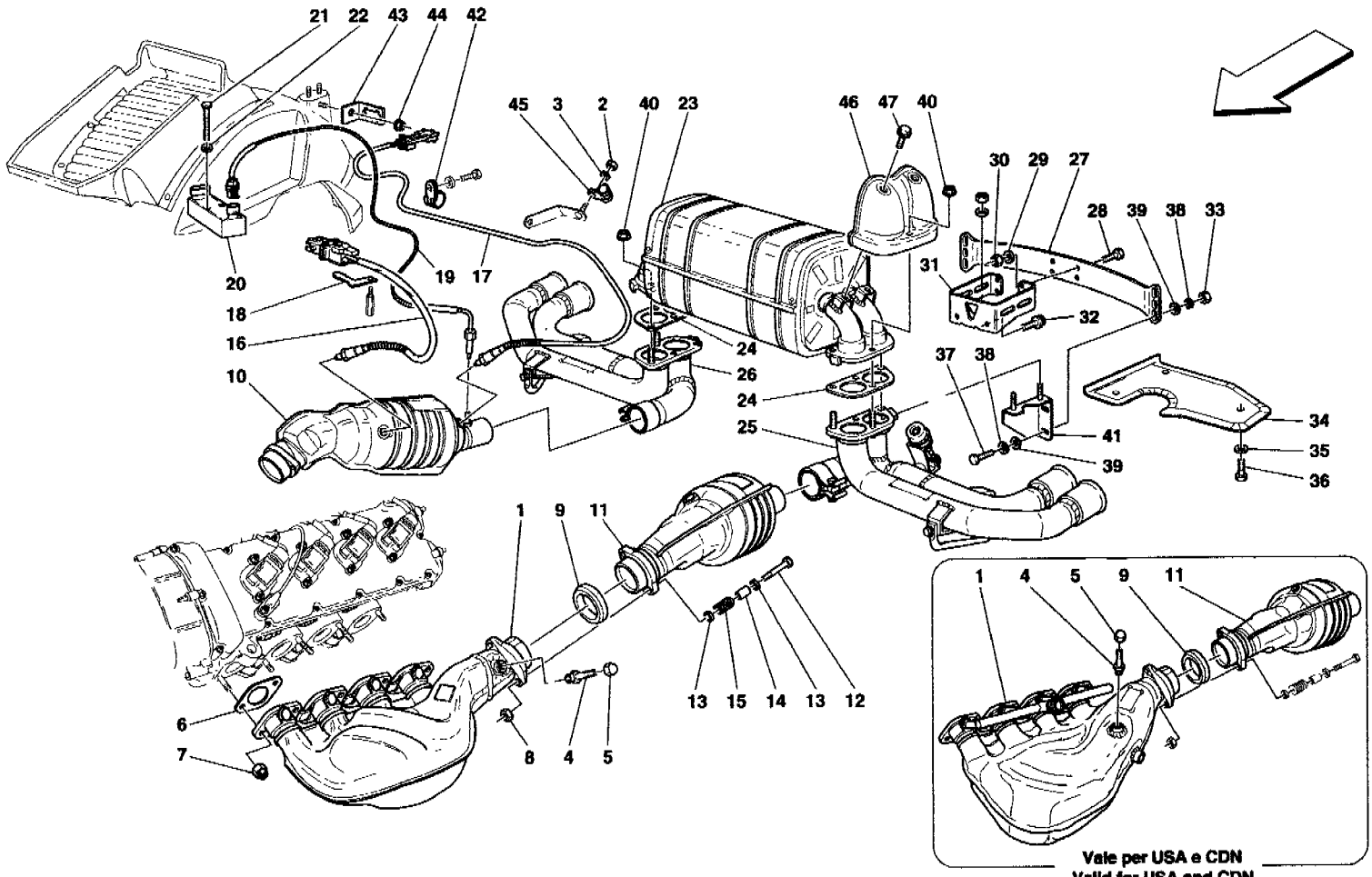
360 Modena - 19 - EXHAUST SYSTEM

1	178437	1	L.H. EXHAUST MANIFOLD -Not for USA, CDN and AUS- -Valid till engine Nr. 62657-
1	189666	1	L.H. EXHAUST MANIFOLD -Not for USA, CDN and AUS- -Valid from engine Nr. 62658-
1	182148	1	L.H. EXHAUST MANIFOLD -Valid for USA, CDN and AUS- -Not for USA MY 2000,2001,2002,2003,2004 and CDN MY 2000,2001,2002,2003,2004-
1	184394	1	L.H. EXHAUST MANIFOLD -Valid for USA MY 2000,2001,2002,2003,2004 and CDN MY 2000,2001,2002,2003,2004-
1	178438	1	R.H. EXHAUST MANIFOLD -Not for USA, CDN and AUS- -Valid till engine Nr. 62657-
1	189665	1	R.H. EXHAUST MANIFOLD -Not for USA, CDN and AUS- -Valid from engine Nr.62658-
1	182151	1	R.H. EXHAUST MANIFOLD -Valid for USA, CDN and AUS- -Not for USA MY 2000,2001,2002,2003,2004 and CDN MY 2000,2001,2002,2003,2004-
1	184393	1	R.H. EXHAUST MANIFOLD -Valid for USA MY 2000,2001,2002,2003,2004 and CDN MY 2000,2001,2002,2003,2004-
2	110860	8	THREADED PLUG -Valid till engine Nr. 62657-
3	10298460	8	GASKET -Valid till engine Nr. 62657-
4	144240	2	THREADED UNION
5	150595	2	CAP NUT
6	151064	8	GASKET
7	138392	16	NUT
8	114748	4	NUT
9	159914	2	GASKET
10	174211	1	R.H. CATALYST -Valid for catalyzed cars- -Not for USA, CDN and AUS- -Valid for EU GS not F1 and J not F1 till car Ass.Nr. 39158- -Valid for GB not F1 till car Ass.Nr. 39144- -Valid for EU GS F1 and J F1 till car Ass.Nr. 39159- -Valid for GB F1 till car Ass.Nr. 39148-
10	180082	1	R.H. CATALYST -Valid for not catalyzed cars- -Not for USA, CDN and AUS-
10	180019	1	R.H. CATALYST -Valid for USA, CDN and AUS- -Not for USA MY 2000, 2001,2002,2003,2004 and CDN MY 2000,2001, 2002,2003,2004- -Valid for EU GS not F1 and J not F1 from car Ass.Nr. 39159- -Valid for GB not F1 from car Ass.Nr. 39145- -Valid for EU GS F1 and J F1 from car Ass.Nr. 39160-
10	181966	1	R.H. CATALYST -Valid for USA MY 2000,2001,2002,2003,2004 and CDN MY 2000,2001,2002,2003,2004-
11	174210	1	L.H. CATALYST -Valid for catalyzed cars- -Not for USA, CDN and AUS- -Valid for EU GS not F1 and J not F1 till car Ass.Nr. 39158- -Valid for GB not F1 till car Ass.Nr. 39144- -Valid for EU GS F1 and J F1 till car Ass.Nr. 39159- -Valid for GB F1 till car Ass.Nr. 39148-
11	180083	1	L.H. CATALYST -Valid for not catalyzed cars-

11	180020	1	-Not for USA, CDN and AUS- L.H. CATALYST -Valid for USA, CDN and AUS- -Not for USA MY 2000, 2001,2002,2003,2004 and CDN MY 2000,2001,2002, 2003,2004- -Valid for EU GS not F1 and J not F1 from car Ass.Nr. 39159- -Valid for GB not F1 from car Ass.Nr. 39145- -Valid for EU GS F1 and J F1 from car Ass.Nr. 39160-
11	181967	1	L.H. CATALYST -Valid for USA MY 2000,2001,2002,2003,2004 and CDN MY 2000,2001,2002,2003,2004-
12	16044834	4	SCREW
13	156093	8	WASHER -Not as spare part- -Replaced by 12646778-
13	12646778	8	WASHER
14	114749	4	SPACER
15	111743	4	SPRING
16	178290	2	FRONT LAMBDA FEELER -Not as spare part replaced by 182837-
16	182837	2	FRONT LAMBDA FEELER
17	177674	2	REAR LAMBDA FEELER -Valid for catalyzed cars- -Not as spare part replaced by 180915-
17	180915	2	REAR LAMBDA FEELER -Valid for catalyzed cars-
18	175856	2	CONNECTOR FIXING BRACKET
19	168824	2	THERMOCOUPLE -Valid till stock exhaustion-
19	193467	2	THERMOCOUPLE -Valid after stock exhaustion of 168824-
20	173533	2	CATALYST TEMPERATURE CONTROL STATION -Not as spare part replaced by 179278-
20	179278	2	CATALYST TEMPERATURE CONTROL STATION
21	15210824	4	SCREW
22	10519224	4	WASHER
23	174089	1	COMPLETE EXHAUST SILENCER
24	177612	2	GASKET
25	178769	1	COMPLETE L.H. OUTLET PIPE -Valid till Ass. Nr.53910 for AUS-
25	210101	1	COMPLETE L.H. OUTLET PIPE -Valid from Nr.53911 for AUS-
25	178770	1	COMPLETE R.H. OUTLET PIPE -Valid till Ass. Nr.53910 for AUS-
25	210102	1	COMPLETE R.H. OUTLET PIPE -Valid from Nr.53911 for AUS-
26	177126	1	SILENCER SUPPORT GEAR SIDE -Not as spare part replaced by 181383-
26	181383	1	SILENCER SUPPORT GEAR SIDE
27	177127	1	SILENCER SUPPORT EXHAUST SIDE -Not as spare part- -Replaced by 185468-
27	185468	1	SILENCER SUPPORT EXHAUST SIDE
28	16043324	4	SCREW
29	127496	4	WASHER
30	16100824	4	NUT
31	16043434	4	SCREW
32	156093	4	WASHER -Not as spare part- -Replaced by 12646778-
32	12646778	4	WASHER
33	114748	4	NUT
34	176374	1	L.H. SHIELD -Valid till stock exhaustion-
34	196340	1	L.H. SHIELD

34	176286	1	R.H. SHIELD -Valid till stock exhaustion-
34	196339	1	R.H. SHIELD
35	12643724	6	WASHER
36	10902324	6	SCREW
37	183876	1	L.H. BY-PASS VALVE
37	183877	1	R.H. BY-PASS VALVE
38	16043434	4	SCREW
39	179808	8	NUT
40	185307	2	CLAMP
41	10441390	1	BRACKET WITH SHEATH
42	188986	8	STUD
43	182998	2	THREADED PLUG -Valid for not catalyzed cars-
44	183003	2	WASHER -Valid for not catalyzed cars-
45	178366	2	CONNECTORS FIXING BRACKET
46	14059211	1	NUT

360 Modena - 20 - RACING EXHAUST SYSTEM -Optional-



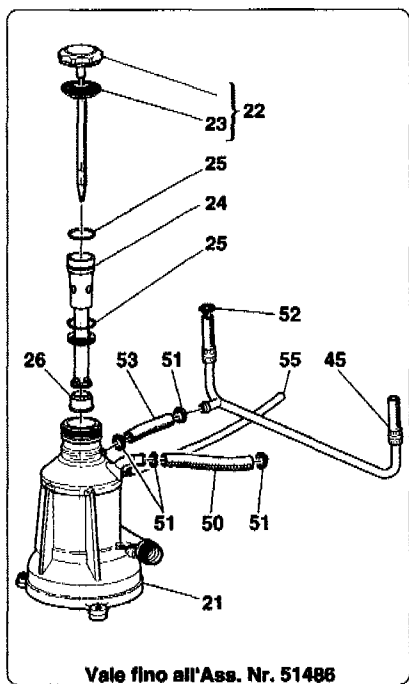
Vale per USA e CDN  
Valid for USA and CDN

360 Modena - 20 - RACING EXHAUST SYSTEM -Optional-

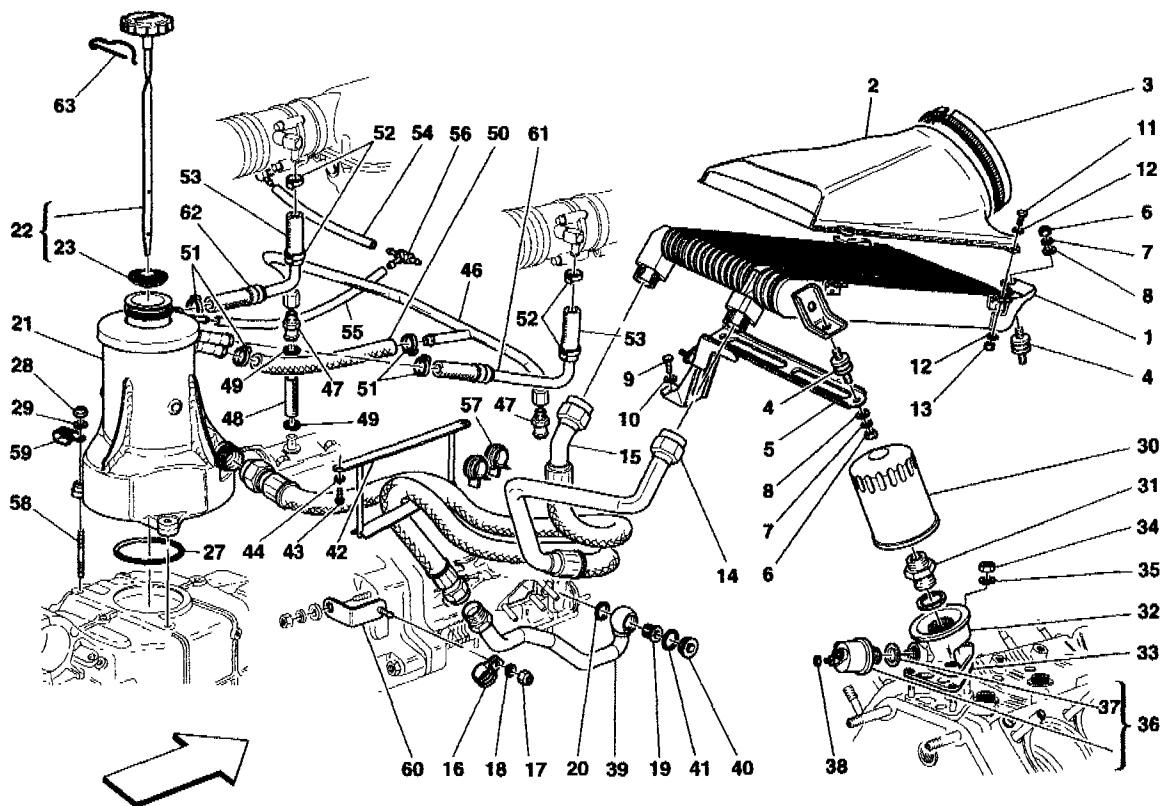
1	189666	1	L.H. EXHAUST MANIFOLD -Not for USA, CDN and J-
1	184394	1	L.H. EXHAUST MANIFOLD -Valid for USA, CDN and J-
1	189665	1	R.H. EXHAUST MANIFOLD -Not for USA, CDN and J-
1	184393	1	R.H. EXHAUST MANIFOLD -Valid for USA,CDN and J-
2	10725914	1	NUT
3	14498804	1	WASHER
4	144240	2	THREADED UNION
5	150595	2	CAP NUT
6	151064	8	GASKET
7	138392	16	NUT
8	114748	4	NUT
9	159914	2	GASKET
10	199064	1	R.H. CATALYST -Not for USA, CDN and J-
10	181966	1	R.H. CATALYST -Valid for USA, CDN e J-
11	199065	1	L.H. CATALYST -Not for USA, CDN and J-
11	181967	1	L.H. CATALYST -Valid for USA, CDN and J-
12	16044834	4	SCREW
13	12646778	8	WASHER
14	114749	4	SPACER
15	111743	4	SPRING
16	199612	2	FRONT LAMBDA FEELER -Not for USA, CDN and AUS-
16	182837	2	FRONT LAMBDA FEELER -Valid for USA, CDN and AUS-
17	180915	2	REAR LAMBDA FEELER
18	199901	2	CONNECTOR FIXING BRACKET
19	193467	2	THERMOCOUPLE
20	179278	2	CATALYST TEMPERATURE CONTROL STATION
21	15210824	4	SCREW
22	10519224	4	WASHER
23	195811	1	COMPLETE EXHAUST SILENCER
24	177612	2	GASKET
25	199061	1	COMPLETE L.H. OUTLET PIPE
26	199060	1	COMPLETE R.H. OUTLET PIPE
27	195803	1	SILENCER SUPPORT EXHAUST SIDE
28	16043324	4	SCREW
29	127496	4	WASHER
30	16100824	4	NUT
31	181383	1	SILENCER SUPPORT GEAR SIDE
32	16043434	4	SCREW
33	16100824	4	NUT
34	196340	1	L.H. SHIELD
34	196339	1	R.H. SHIELD
35	12643724	2	WASHER
35	12625224	4	WASHER
36	10902324	2	SCREW -M6x18-
36	16043324	4	SCREW -M8x18-
37	16043534	4	SCREW
38	12646778	8	WASHER
39	127496	8	WASHER
40	179808	8	NUT
41	201156	1	L.H. BRACKET
41	201155	1	R.H. BRACKET
42	10441390	1	BRACKET WITH SHEATH
43	178366	2	CONNECTORS FIXING BRACKET
44	14059211	1	NUT

45	10440990	1	BRACKET WITH SHEATH
46	203904	2	PROTECTION FOR MUFFLER
47	206161	4	SCREW





Vale fino all'Ass. Nr. 51486  
Valid till Ass. Nr. 51486



## 360 Modena - 21 - LUBRICATION SYSTEM AND BLOW-BY SYSTEM

1	175717	1	OIL RADIATOR -Not as spare part- -For the cars till Ass. Nr. 33358 use the radiator 179835 + pipe 181163-
1	179835	1	OIL RADIATOR -Valid from Ass. Nr. 33359- -Not as spare part- -Replaced by 185412-
1	185412	1	OIL RADIATOR
2	176083	1	AIR INLET CONVEYOR -Not as spare part- -Replaced by 181001-
2	181001	1	AIR INLET CONVEYOR
3	180555	1	GASKET
4	102947	4	PAD
5	175724	1	RADIATOR SUPPORTING BRACKET
6	15896214	8	NUT
7	127494	8	WASHER
8	12644424	8	WASHER
9	10902324	2	SCREW
10	14496424	2	WASHER
11	10977824	3	SCREW
12	12637824	6	WASHER
13	113647	3	NUT
14	177789	1	HOSE FROM ENGINE HOSE TO RADIATOR -Not as spare part- -Replaced by 179103-
14	179103	1	HOSE FROM ENGINE HOSE TO RADIATOR
14	201655	1	HOSE FROM ENGINE HOSE TO RADIATOR -Anodized Racing pipe- -Optional-
15	177785	1	HOSE FROM RADIATOR TO DISAREATOR -Valid till Ass. Nr. 33358-
15	181163	1	HOSE FROM RADIATOR TO DISAREATOR -Valid from Ass. Nr. 33359-
15	201656	1	HOSE FROM RADIATOR TO DISAREATOR -Anodized Racing pipe- -Optional
16	10442090	1	BRACKET WITH SHEATH
17	134041	1	NUT
18	127494	1	WASHER
19	122319	1	UNION
20	10264660	1	GASKET
21	176620	1	COMPLETE OIL DISAREATOR -Valid till Ass. Nr. 51486-
21	201625	1	COMPLETE OIL DISAREATOR -Valid from Ass. Nr. 51487- -Till car Ass. Nr. 56313 to assemble with tank plug 202249 ref. 22 with hole and no screwable split pin 209265 ref. 63-
22	182115	1	TANK PLUG -Not as spare part replaced by 183096-
22	183096	1	TANK PLUG -Valid till Ass. Nr. 51486-
22	202249	1	TANK PLUG -Valid from Ass. Nr. 51487-
23	180585	1	GASKET
24	181964	1	SHIELD FOR OIL LEVEL ROD -Valid till stock exhaustion- -Valid till Ass. Nr. 51486-
24	182183	1	SHIELD FOR OIL LEVEL ROD -Valid after stock exhaustion of 181964-

25	182184	2	-Valid till Ass. Nr. 51486- O.R. GASKET
26	182185	1	-Valid till Ass. Nr. 51486- END
27	176388	1	-Valid till Ass. Nr. 51486- O.R. GASKET
28	101139	3	NUT
29	12601374	3	WASHER
30	130623	1	OIL FILTER CARTRIDGE
30	191462	1	-Not as spare part- -Replaced by 191462- OIL FILTER CARTRIDGE
30	197654	1	-Valid till stock exhaustion- OIL FILTER CARTRIDGE
31	173929	1	-Valid after stock exhaustion of 191462- THREADED UNION
32	173633	1	OIL FILTER BASE-PLATE
33	137579	1	OIL FILTER BASE GASKET
33	188052	1	-Valid till stock exhaustion- OIL FILTER BASE GASKET
34	101139	3	-Valid after stock exhaustion of 137579- NUT
35	12601374	3	WASHER
36	135940	1	OIL PRESSURE TRANSMITTER
37	10259960	1	GASKET
38	62790300	2	NUT
39	178199	1	HOSE FROM ENGINE TO RADIATOR HOSE
39	201654	1	HOSE FROM ENGINE TO RADIATOR HOSE
40	122318	1	-Anodized Racing pipe- -Optional- THREADED PLUG
41	183044	1	GASKET
42	181860	1	OIL HOSE RETAINING BRACKET
42	183655	1	-Valid till engine Nr. 53226- OIL HOSE RETAINING BRACKET
43	10902124	2	-Valid from engine Nr. 53227- SCREW
44	12601274	2	WASHER
45	176276	1	BUTTERFLY CONNECTION PIPE
46	173968	1	-Valid till Ass. Nr. 51486- HEADS CONNECTION VENT PIPE
46	201653	1	HEADS CONNECTION VENT PIPE
47	170448	2	-Anodized Racing pipe- -Optional VALVE
47	215820	1	-For cars not USA and CDN from Ass. Nr. 57034 Q.ty 1- VALVE
48	175746	2	-With hole ø 2 on the membrane- -Not for USA and CDN- -Valid from Ass. Nr. 57034- RUBBER HOSE
49	178053	4	CLAMP
50	175745	1	RUBBER HOSE
50	202182	1	-Valid till Ass. Nr. 51486- RUBBER HOSE
51	178053	4	-Valid from Ass. Nr. 51487- CLAMP
52	178052	2	CLAMP
53	175744	1	-Q.ty 4 from Ass. Nr. 51487- RUBBER HOSE
53	202183	2	-Valid till Ass. Nr. 51486- RUBBER HOSE
54	126342	2	-Valid from Ass. Nr. 51487- RUBBER HOSE
55	137904	1	RUBBER HOSE
55	185208	1	-Not as spare part- -Replaced by 185208- RUBBER HOSE

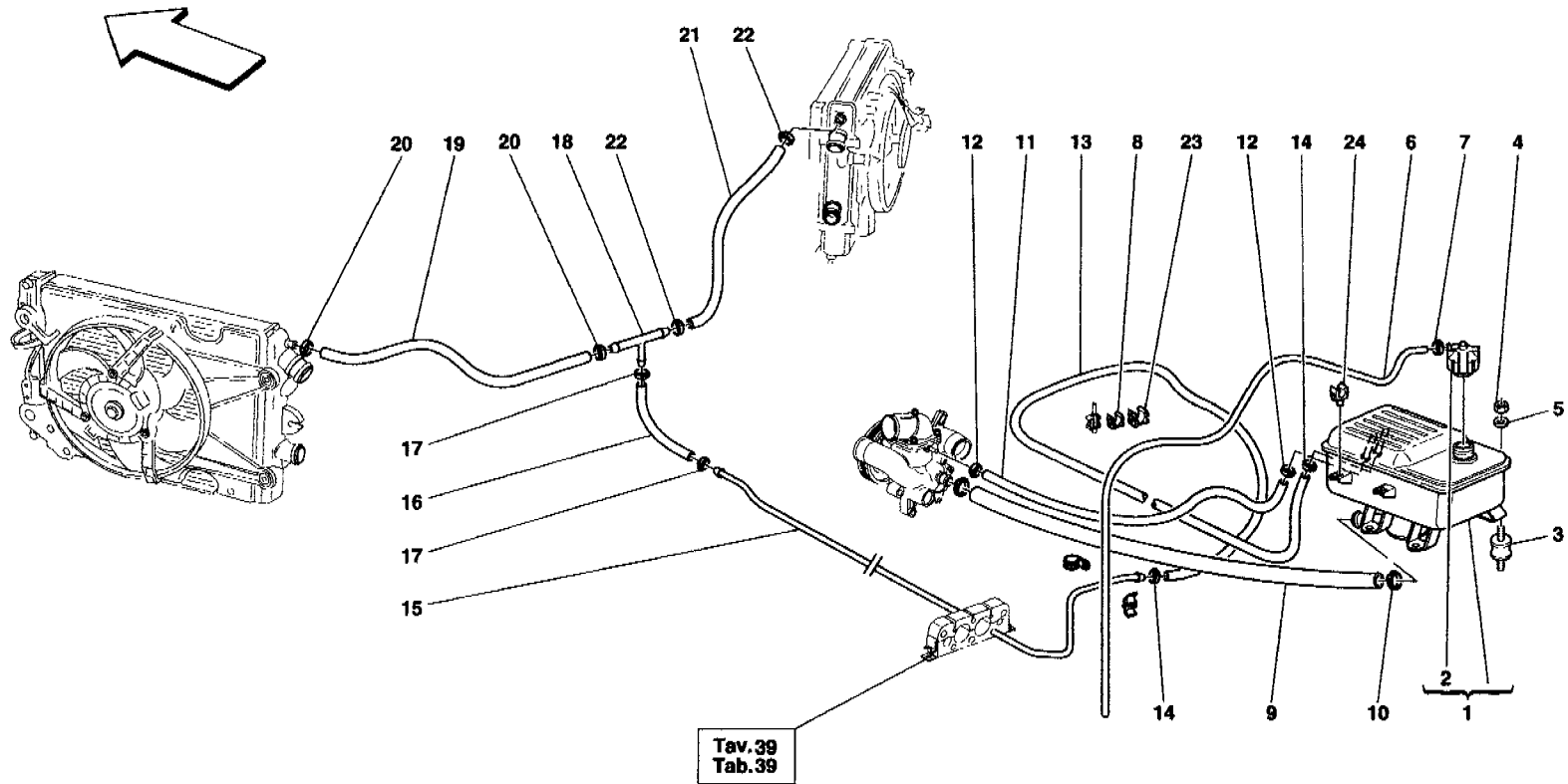
55	194910	1	-Valid till Ass. Nr. 51486- RUBBER HOSE
56	161816	1	-Valid from Ass. Nr. 51487- 3-WAY UNION
57	160013	2	FLEXIBLE CLIP
58	13517124	3	STUD
58	13517024	3	-Not for F1- STUD
59	10450690	1	-Valid for F1- BRACKET WITH SHEATH
60	178314	1	BRACKET
61	202196	1	L.H. BUTTERFLY CONNECTION PIPE
62	202194	1	-Valid from Ass. Nr. 51487- R.H. BUTTERFLY CONNECTION PIPE
63	209265	1	-Valid from Ass. Nr. 51487- NO SCREWABLE SPLIT PIN -Valid form car Ass. Nr. 56314-



## 360 Modena - 22 - PUMPS AND OIL SUMP

*	181819	1	COMPLETE OIL SUMP
1	178413	1	OIL SUMP -Not as spare part- -With the complete oil sump-
2	173623	1	ANTI-SHAKING OIL PANEL
3	177778	6	NUT
4	10519624	6	WASHER
5	13516524	1	STUD
6	11307021	2	SCREW
7	11190574	2	WASHER
8	132876	1	NUT
9	112254	1	THREADED INSERT
10	178959	1	OIL OUTLET PLUG
11	10261860	1	GASKET
12	14306424	2	SCREW
13	11198074	2	WASHER
14	132462	1	DRIVEN GEAR
15	179819	1	CHAIN TIGHTENER -Valid till stock exhaustion-
15	185577	1	CHAIN TIGHTENER
16	169594	1	STUD
17	179938	1	STOP PLATE
18	12646601	1	WASHER
19	12601274	1	WASHER
20	10902224	1	SCREW
21	171960	1	WASHER
22	11065474	1	FLEXIBLE RING
23	145326	1	BUSHING
24	133089	1	CHAIN
*	143276	1	RECOVERY PUMP BODY WITH STUD BOLTS -Valid till Ass. Nr. 34733-
*	185129	1	RECOVERY PUMP BODY WITH STUD BOLTS -Valid from Ass. Nr. 34734-
25	132435	1	RECOVERY PUMP BODY -Not as spare part- -With the assembly 143276- -Valid till Ass. Nr. 34733-
25	181342	1	RECOVERY PUMP BODY -Not as spare part- -With the assembly 185129- -Valid from Ass. Nr. 34734-
*	181821	1	DELIVERY PUMP BODY WITH STUD BOLTS -Valid till Ass. Nr. 34815-
*	185130	1	DELIVERY PUMP BODY WITH STUD BOLTS -Valid from Ass. Nr. 34816-
26	176244	1	DELIVERY PUMP BODY -Not as spare part- -With the assembly 181821- -Valid till Ass. Nr. 34815-
26	181341	1	DELIVERY PUMP BODY -Not as spare part- -With the assembly 185130- -Valid from Ass. Nr. 34816-
27	133939	2	O.R. GASKET
28	11198074	4	WASHER
29	14306424	3	SCREW
30	13540824	4	STUD
31	132877	4	NUT
32	133842	2	STUD
33	133843	2	STUD
34	132458	2	DRIVING GEAR
35	132460	2	DRIVEN GEAR
36	109309	2	COUPLING

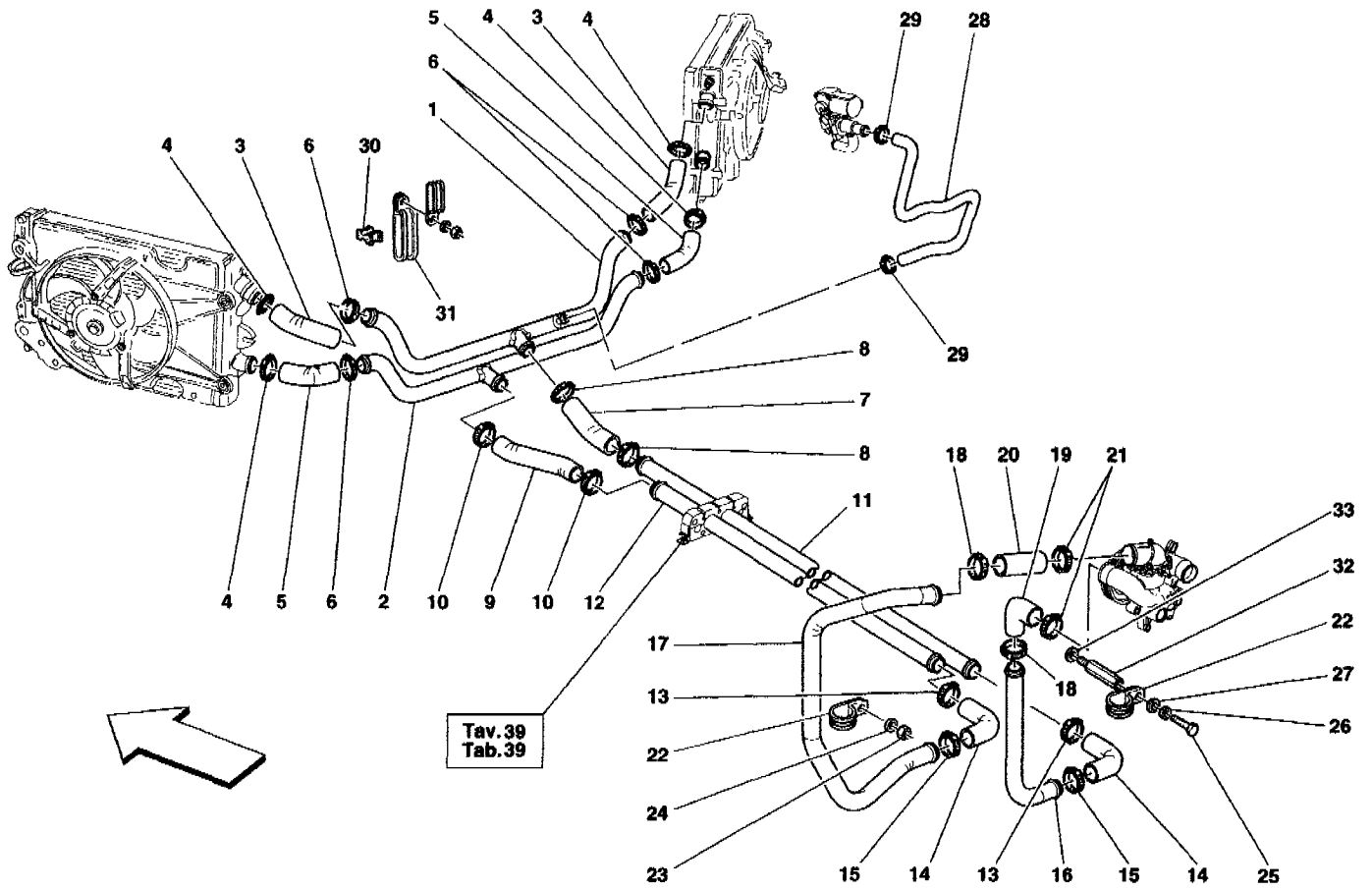
37	132436	1	RECOVERY PUMP COVER
38	11197774	4	WASHER
39	134041	4	NUT -Not as spare part- -Replaced by 15896224-
39	15896224	4	NUT
40	121306	1	BALL
41	109980	1	SPRING
42	132772	1	SPACER -Not as spare part- -Replaced by 196077-
42	196077	1	SPACER
43	11057876	1	SEEGER RING
44	102704	1	DOWEL
45	102725	5	DOWEL
46	14306524	1	SCREW
47	13540824	2	STUD
48	132456	1	DRIVEN GEAR -Not as spare part replaced by 181862-
48	181862	1	DRIVEN GEAR
49	132454	1	DRIVING GEAR
50	13541024	2	STUD
51	10205820	1	DISC KEY
52	132434	1	FRONT COVER
53	11197774	4	WASHER
54	134041	4	NUT -Not as spare part- -Replaced by 15896224-
54	15896224	4	NUT
55	176222	1	RECOVERY SUCTION PIPE
56	122429	2	FILTER
57	103944	2	RING
58	12604274	4	WASHER
59	136039	1	FIXED TENSION
60	12601274	2	WASHER
61	10902324	2	SCREW
62	133938	2	O.R. GASKET
63	11000824	4	STUD
64	179069	4	COMPLETE MULTIPLE UNION -Valid till stock exhaustion-
64	191973	4	COMPLETE MULTIPLE UNION
65	137192	4	O.R. GASKET
66	11199274	4	WASHER
67	10519378	4	WASHER
68	15896470	4	NUT
69	129324	1	REGISTER
70	177908	1	OUTER SPRING
71	10263360	1	GASKET
72	177423	1	OIL PRESSURE VALVE CAP
73	177909	1	INNER SPRING
74	179222	1	SCREW
75	127494	1	WASHER
76	12644424	1	WASHER
77	177130	1	GEARBOX OIL SUCTION FAN
78	11500224	2	STUD
79	102948	2	NUT
80	12604274	2	WASHER
81	177549	1	O.R. GASKET
82	177550	1	O.R. GASKET
83	104628	1	GEARBOX THERMISTOR
84	104535	1	GASKET





360 Modena - 23 - NOURICE

1	164160	1	COMPLETE FUEL CANISTER
2	145030	1	TANK PLUG
3	142202	4	PAD
4	15896214	4	NUT
5	12643724	4	WASHER
6	179280	1	VENT PIPE
7	13423171	1	ELASTIC COLLAR -Not as spare part- -Replaced by 183919-
7	183919	1	ELASTIC COLLAR
8	140130	1	FLEXIBLE CLIP
9	176161	1	RUBBER HOSE FROM ENGINE TO NOURICE
10	178054	1	CLAMP -Not as spare part- -Replaced by 13000490-
10	13000490	1	CLAMP
11	157744	1	RUBBER HOSE FROM TANK TO PUMP -Not as spare part replaced by 180741-
11	180741	1	RUBBER HOSE FROM TANK TO PUMP
12	177995	2	CLAMP
13	179336	1	RUBBER HOSE FROM NOURICE TO UNDERFLOOR
14	177995	2	CLAMP
15	179335	1	UNDERFLOOR PIPE -Valid till stock exhaustion-
15	195885	1	UNDERFLOOR PIPE
16	177515	1	RUBBER HOSE
17	13000190	2	SCREW COLLAR
18	176086	1	3-WAY UNION -Not as spare part replaced by 181272-
18	181272	1	3-WAY UNION -Replace the 176086-
19	177513	1	R.H. RUBBER HOSE
20	13000190	2	SCREW COLLAR
21	177514	1	L.H. RUBBER HOSE
22	13000190	2	SCREW COLLAR
23	140727	2	FIXING CLIP
24	14574287	2	CLIP

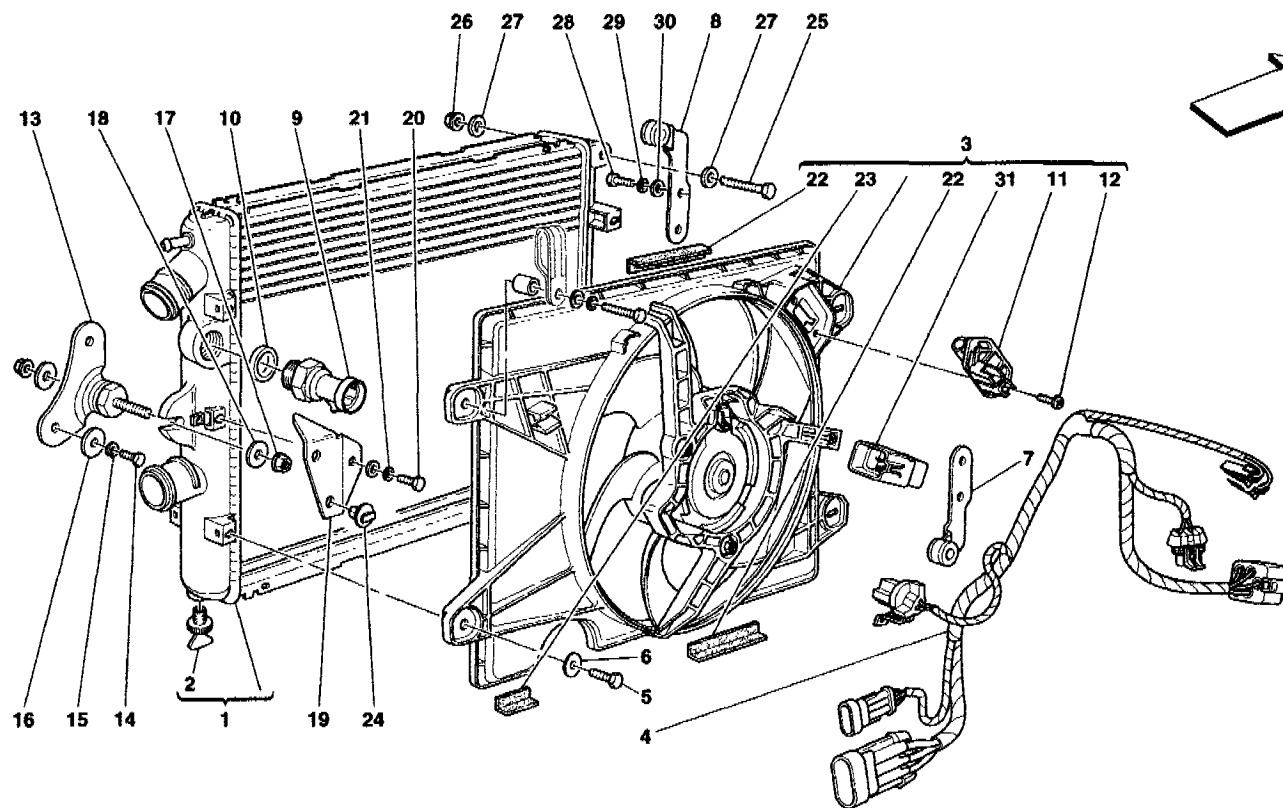


## 360 Modena - 24 - COOLING SYSTEM

1	164162	1	RETURN WATER PIPE -Valid till Ass. Nr. 35743-
1	181746	1	RETURN WATER PIPE -Valid from Ass. Nr. 35744-
2	173384	1	DELIVERY WATER PIPE -Valid till Ass. Nr. 35743-
2	181790	1	DELIVERY WATER PIPE -Valid from Ass. Nr. 35744-
3	175000	2	RETURN RUBBER PIPE -Valid till Ass. Nr. 35743-
3	181757	2	RETURN RUBBER PIPE -Valid from Ass. Nr. 35744-
4	13000690	4	SCREW COLLAR -Not as spare part- -Replaced by 13001690-
4	13001690	4	SCREW COLLAR
5	164165	2	DELIVERY RUBBER HOSE -Valid till Ass. Nr. 35743-
5	181802	2	DELIVERY RUBBER HOSE -Valid from Ass. Nr. 35744-
6	13000590	4	SCREW COLLAR -Not as spare part- -Replaced by 13000590-
6	13000590	4	SCREW COLLAR
7	173402	1	RETURN RUBBER HOSE -Valid till Ass. Nr. 35743-
7	181745	1	RETURN RUBBER HOSE -Valid from Ass. Nr. 35744-
8	13000690	2	SCREW COLLAR -Not as spare part- -Replaced by 13001690-
8	13001690	2	SCREW COLLAR
9	175643	1	DELIVERY RUBBER HOSE -Valid till Ass. Nr. 35743-
9	181789	1	DELIVERY RUBBER HOSE -Valid from Ass. Nr. 35744-
10	13000690	2	SCREW COLLAR -Not as spare part- -Replaced by 13001690-
10	13001690	2	SCREW COLLAR
11	164164	1	UNDERFLOOR RETURN ALUMINIUM TUBE -Valid till Ass. Nr. 35743-
11	181743	1	UNDERFLOOR RETURN ALUMINIUM TUBE -Valid from Ass. Nr. 35744-
12	164163	1	UNDERFLOOR DELIVERY ALUMINIUM TUBE -Valid till Ass. Nr. 35743-
12	181788	1	UNDERFLOOR DELIVERY ALUMINIUM TUBE -Valid from Ass. Nr. 35744-
13	13000690	2	SCREW COLLAR -Not as spare part- -Replaced by 13001690-
13	13001690	2	SCREW COLLAR
14	175592	2	RUBBER HOSE -Valid till Ass. Nr. 35743-
14	181742	2	RUBBER HOSE -Valid from Ass. Nr. 35744-
15	13000690	2	SCREW COLLAR -Not as spare part- -Replaced by 13001690-
15	13001690	2	SCREW COLLAR
16	173392	1	RETURN ALUMINIUM TUBE -Valid till Ass. Nr. 35743-
16	181734	1	RETURN ALUMINIUM TUBE -Valid from Ass. Nr. 35744-

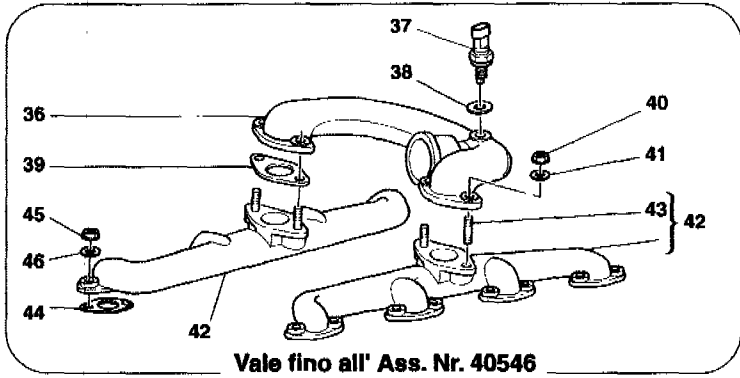
17	173393	1	DELIVERY ALUMINIUM TUBE -Valid till Ass. Nr. 32567-
17	180746	1	DELIVERY ALUMINIUM TUBE -Valid from Ass. Nr. 32568 till Ass. Nr. 35743-
17	181786	1	DELIVERY ALUMINIUM TUBE -Valid from Ass. Nr. 35744-
18	13000690	2	SCREW COLLAR -Not as spare part- -Replaced by 13001690-
18	13001690	2	SCREW COLLAR
19	178643	1	RETURN RUBBER HOSE -Valid till Ass. Nr. 35743-
19	181733	1	RETURN RUBBER HOSE -Valid from Ass. Nr. 35744-
20	175016	1	DELIVERY RUBBER HOSE -Valid till Ass. Nr. 35743-
20	181779	1	DELIVERY RUBBER HOSE -Valid from Ass. Nr. 35744-
21	13000790	2	SCREW COLLAR
22	182301	2	BRACKET WITH SHEATH
23	102741	1	NUT
24	12644424	1	WASHER
25	10979414	1	SCREW
26	127494	1	WASHER
27	12644424	1	WASHER
28	65231800	1	HOSE FROM TGK VALVE TO RETURN PIPE -Not for GD-
28	65744800	1	HOSE FROM TGK VALVE TO RETURN PIPE -Valid for GD-
29	13000390	2	SCREW COLLAR
30	183641	2	RUBBER SPACER
31	183642	2	BRACKET WITH SHEATH
32	179242	2	STUD
33	13550221	2	WASHER

360 Modena - 25 - COOLING SYSTEM RADIATORS

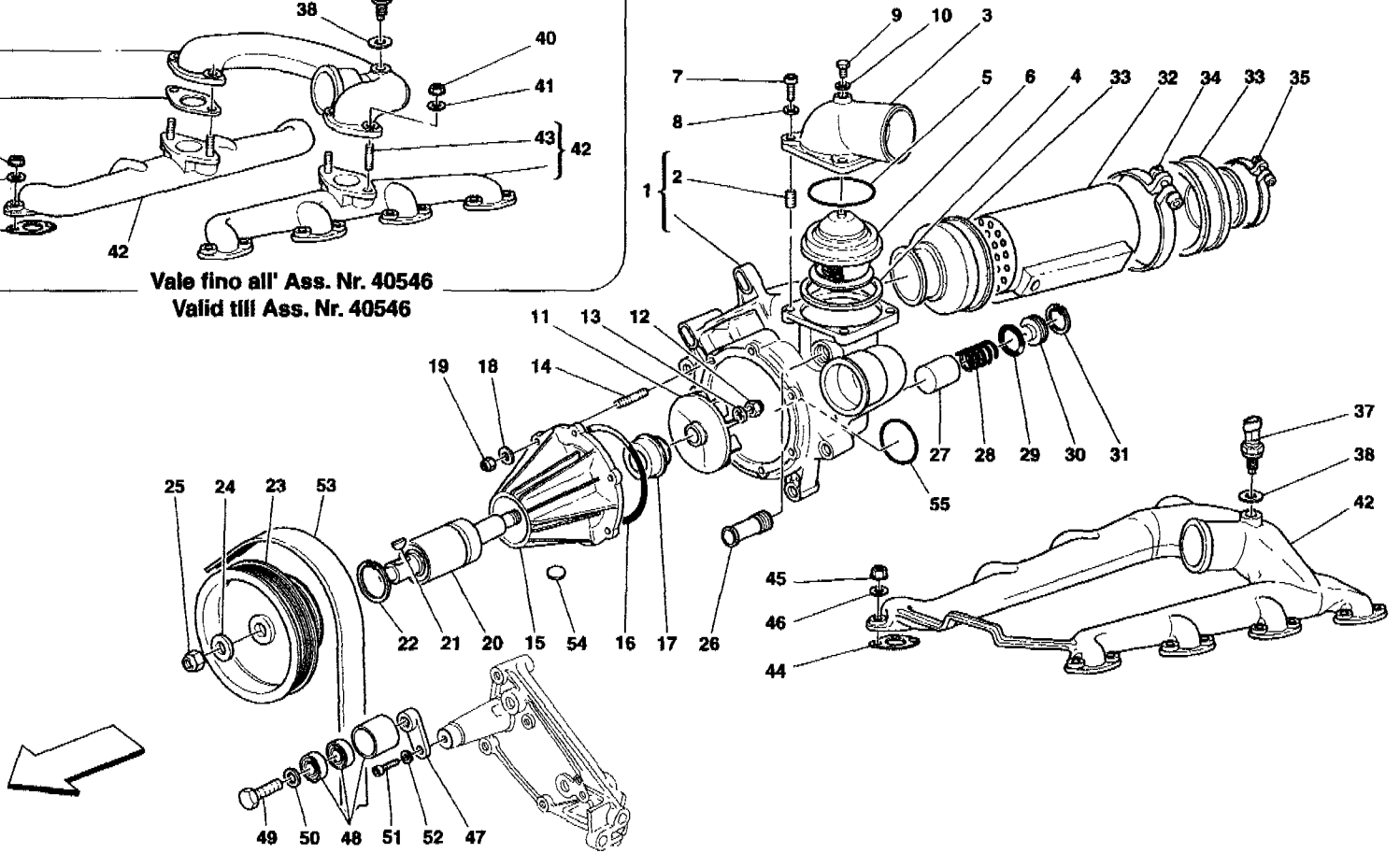


360 Modena - 25 - COOLING SYSTEM RADIATORS

1	172456	1	WATER R.H. RADIATOR
1	176056	1	WATER L.H. RADIATOR
2	176324	2	WATER OUTLET PLUG
3	174086	1	COMPLETE R.H. ELECTROFAN
3	177501	1	COMPLETE L.H. ELECTROFAN
4	179010	1	R.H. ELECTROFAN WIRING
5	16286024	3	SCREW
6	12647624	3	WASHER
7	179435	2	R.H. LOWER-L.H. UPPER RADIATOR SUPPORT
8	179436	2	R.H. UPPER-L.H. LOWER RADIATOR SUPPORT
9	176322	1	TEMPERATURE SWITCH
10	101508	1	GASKET
11	185543	1	RESISTOR
12	15958801	2	SCREW
13	179834	2	RADIATOR CENTRAL BRACKET
14	10902424	4	SCREW
15	106850	4	WASHER
16	12640624	4	WASHER
17	14058511	2	NUT
18	124338	2	WASHER
19	178797	1	WATER R.H. RADIATOR BRACKET
20	10902024	1	SCREW
21	14499324	1	WASHER
22	183693	4	GASKET FOR ELECTROFAN
23	183872	3	GASKET FOR ELECTROFAN
24	176062	2	SUPPORT FOR UNION
25	16044324	2	SCREW
26	14058511	2	NUT
27	12646724	4	WASHER
28	10902424	8	SCREW
29	106850	8	WASHER
30	12640624	8	WASHER
31	180026	1	30/40 A RELAY



Vale fino all' Ass. Nr. 40546  
Valid till Ass. Nr. 40546

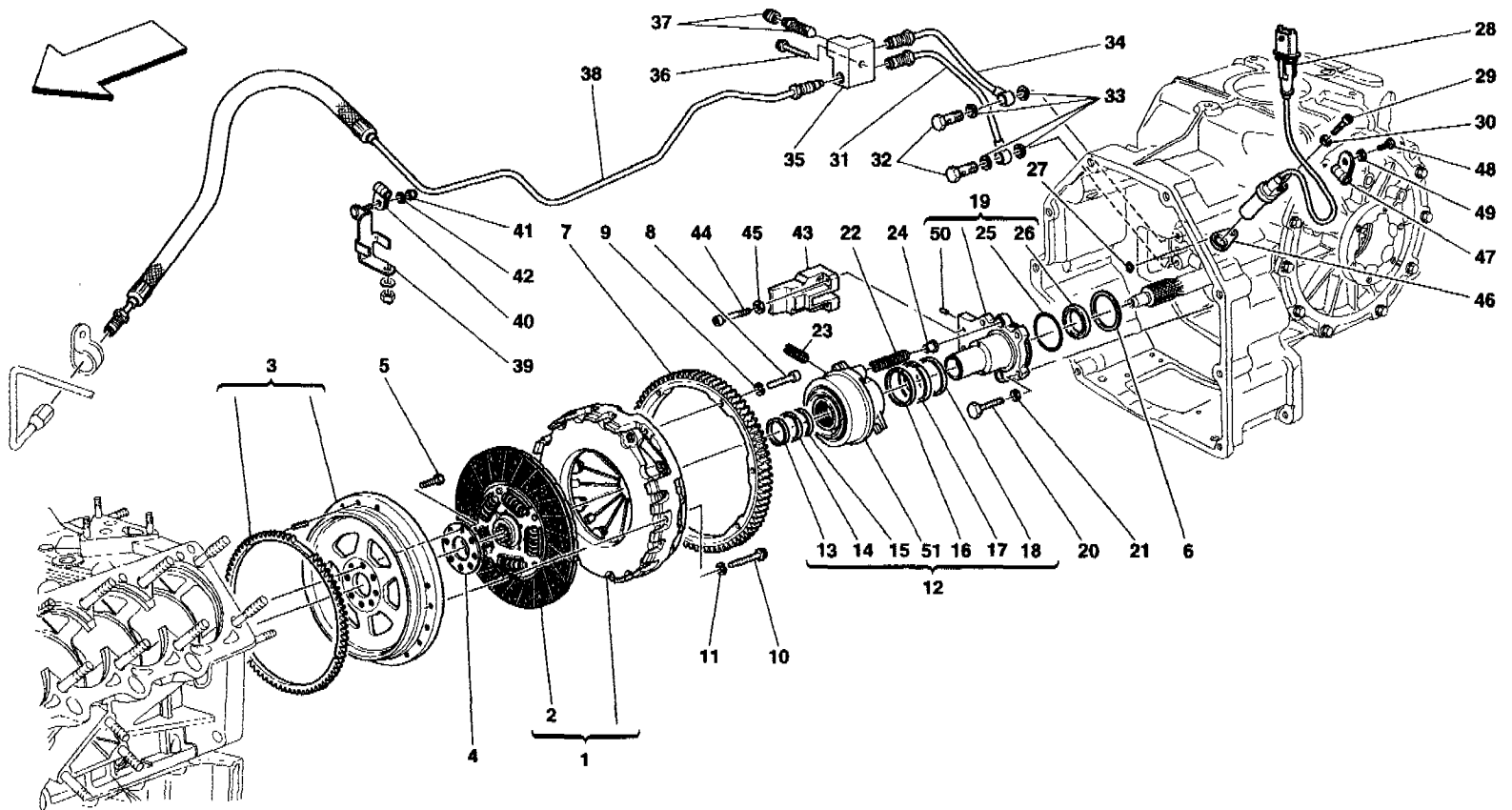


360 Modena - 26 - WATER PUMP AND OIL/WATER HEAT EXCHANGER

1	176044	1	WATER PUMP BODY
2	13525470	4	THREADED INSERT
3	171926	1	THERMOSTATIC VALVE COVER
4	137873	1	GASKET
5	149279	1	O.R. GASKET
6	167473	1	THERMOSTAT
			-Not as spare part replaced by 183758-
6	183758	1	THERMOSTAT
7	14433124	4	SCREW
8	12601274	4	WASHER
9	132349	1	UNION
10	10297760	1	GASKET
11	176045	1	WATER PUMP IMPELLER
12	100436	1	CAP NUT
13	11194074	1	WASHER
14	13540924	6	STUD
15	176173	1	WATER PUMP COVER
16	137868	1	O.R. GASKET
17	130932	1	FRONT SEAL RING
18	12601274	6	WASHER
19	102741	6	NUT
20	143742	1	BEARING WITH SHAFT
21	10202320	1	DISC KEY
22	11059976	1	SEEGER RING
23	177207	1	WATER PUMP CONTROL PULLEY
24	12646821	1	WASHER
25	102742	1	NUT
26	106227	1	UNION
27	176046	1	BUSHING
28	176047	1	SPRING
29	147278	1	O.R. GASKET
30	176048	1	SPRING PLUG
31	11058376	1	SEEGER RING
32	175913	1	HEAT EXCHANGER
			-Valid till stock exhaustion-
32	180846	1	HEAT EXCHANGER
			-Valid after stock exhaustion of 175913-
33	170483	2	SLEEVE
			-Valid till stock exhaustion-
33	187173	2	SLEEVE
34	153430	2	CLAMP
35	134109	2	SCREW COLLAR
36	169526	1	WATER OUTLET MANIFOLD
			CONNECTION DUCT
			-Valid till Ass. Nr. 40546-
37	180137	1	WATER TEMPERATURE
			SENSOR
38	10298460	1	GASKET
39	169564	2	GASKET
			-Valid till Ass. Nr. 40546-
40	177778	4	NUT
			-Valid till Ass. Nr. 40546-
41	12601374	4	WASHER
			-Valid till Ass. Nr. 40546-
42	169749	2	COMPLETE WATER OUTLET
			MANIFOLD
			-Valid till Ass. Nr. 40546-
42	179748	1	COMPLETE WATER OUTLET
			MANIFOLD
			-Valid from Ass. Nr. 40547-
43	13516824	4	STUD
			-Valid till Ass. Nr. 40546-
44	141332	8	GASKET
45	132877	16	NUT
			-Not as spare part-
			-Replaced by 194031-
45	194031	16	NUT
46	12604274	16	WASHER



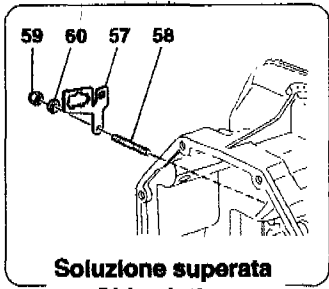
47	178666	1	SMALL PLATE -Valid till stock exhaustion-
47	180296	1	SMALL PLATE -Valid after stock exhaustion of 178666-
48	179698	1	BELT TIGHTENING BEARING
49	15970921	1	SCREW
50	11190574	1	WASHER
51	14302824	1	SCREW
52	11198074	1	WASHER
53	179813	1	WATER PUMP AND GENERATOR CONTROL BELT -Not as spare part- -Replaced by 194229-
53	194229	1	WATER PUMP AND GENERATOR CONTROL BELT -Valid till stock exhaustion-
53	201446	1	WATER PUMP AND GENERATOR CONTROL BELT -Valid after stock exhaustion of 194229-
54	10158801	1	PLUG
55	101044	1	GASKET



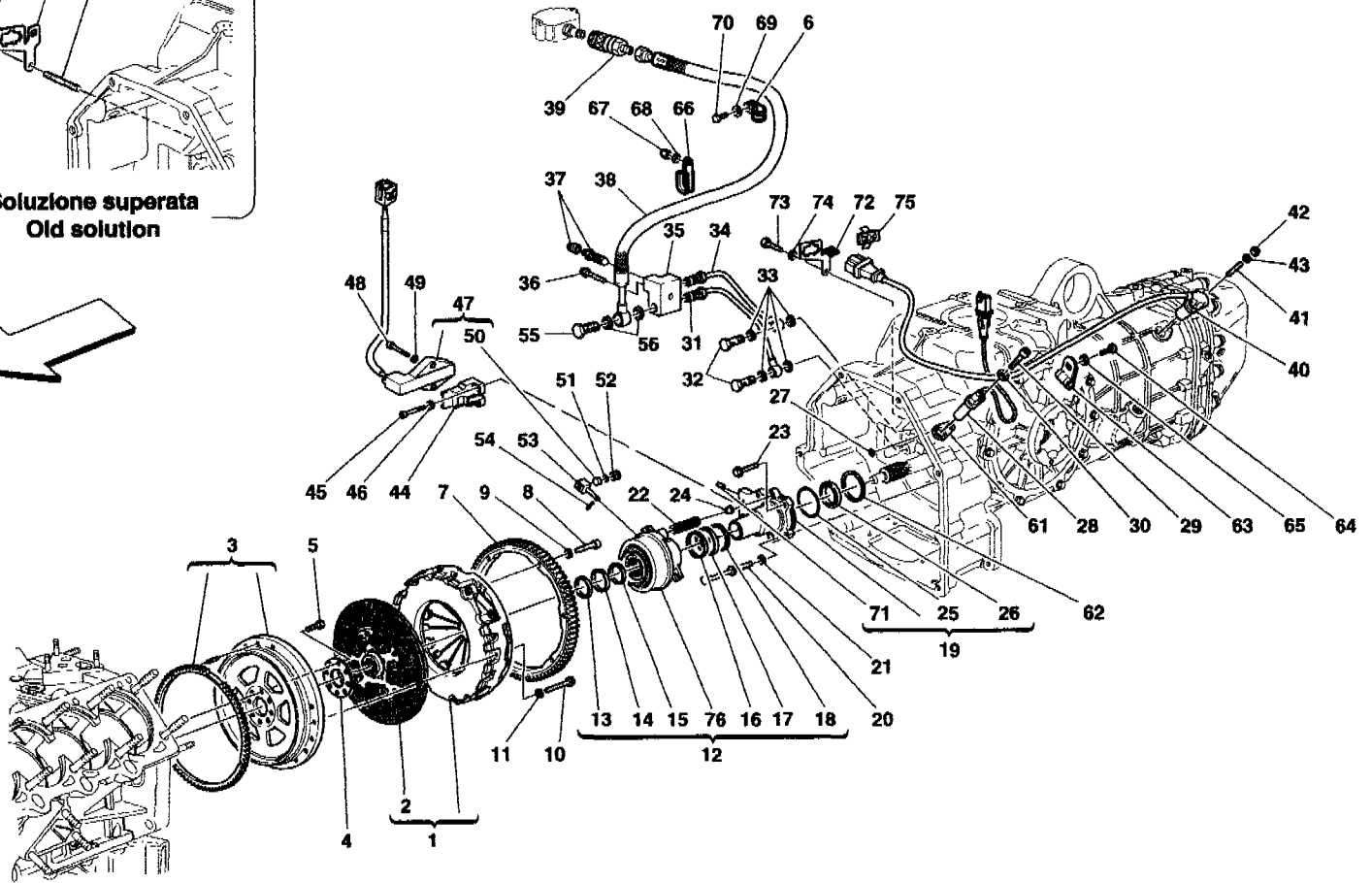
360 Modena - 27 - CLUTCH AND CONTROLS -Not for F1-

1	180950	1	COMPLETE CLUTCH -Valid till car Ass. Nr. 43021 (gearbox No. 7921)- -Not as spare part- -Replaced by clutch 186158 + ring gear 186157 and appropriate fixages-
1	186158	1	COMPLETE CLUTCH -Valid from car Ass. Nr. 43022 (gearbox No. 7922)- -Not as spare part- -Replaced by 199044-
1	199044	1	COMPLETE CLUTCH -Not as spare part- -Replaced by 201680-
1	201680	1	COMPLETE CLUTCH
2	180613	1	CLUTCH DISC
3	181596	1	COMPLETE ENGINE FLYWHEEL
4	103876	1	FLYWHEEL FIXING WASHER
5	103875	8	SCREW -Not as spare part- -Replaced by 201755-
5	201755	8	SCREW
6	173360	2	SPACER -Possible fitting-
7	176917	1	RING GEAR -Valid till car Ass. Nr. 43021 (gearbox No. 7921)- -Not as spare part- -Replaced by clutch 186158 + ring gear 186157 and appropriate fixages-
7	186157	1	RING GEAR -Valid from car Ass. Nr. 43022 (gearbox No. 7922)-
8	186196	3	SCREW -For 6 holes ring gear q.ty 6-
9	127494	3	WASHER -For 3 holes ring gear-
9	11197774	6	WASHER -For 6 holes ring gear-
10	178739	15	SCREW
11	10569274	15	WASHER
12	171886	1	COMPLETE THRUST BEARING -Not as spare part- -Replaced by 189182-
12	189182	1	COMPLETE THRUST BEARING -Not as spare part-
13	172970	1	SCRAPER RING
14	189183	1	RING -Not as spare part- -Replaced by 170416-
14	170416	1	RING
15	172972	1	SEAL RING
16	154508	1	SEAL RING
17	189184	1	RING -Not as spare part- -Replaced by 154507-
17	154507	1	RING
18	154551	1	SCRAPER RING
19	173018	1	BEARING SUPPORT FLANGE -Not as spare part- -Replaced by 193793-
19	193793	1	COMPLETE BEARING SUPPORT FLANGE
20	16052024	4	SCREW
21	12601374	4	WASHER
22	155207	2	PRELOAD SPRING
23	14160670	1	FLEXIBLE PIN -Not as spare part- -Replaced by 14604170-
23	14604170	1	FLEXIBLE PIN
24	155206	2	SPACER FOR SPRING
25	136140	1	O.R. GASKET
26	172363	1	SEAL RING

27	121813	2	O.R. GASKET
28	164937	2	ANGOLAR SPEED SENSOR
			-Valid till stock exhaustion-
28	182194	2	ANGOLAR SPEED SENSOR
			-Valid after stock exhaustion of 164937-
29	14305724	2	SCREW
30	12601274	2	WASHER
31	180183	1	CLUTCH CONTROL TUBE
32	11903811	2	UNION
33	10284460	4	GASKET
34	180184	1	BLEEDER SYSTEM PIPE
35	167101	1	BLOCK
			-Not as spare part-
			-Replaced by 196918-
35	196918	1	BLOCK
36	16286324	1	SCREW
37	121699	1	BLEEDER SCREW
38	175133	1	CLUTCH CONTROL HOSE
39	178342	1	PIPES FIXING BRACKET
40	10440990	1	BRACKET WITH SHEATH
41	102741	1	NUT
42	10730114	1	WASHER
43	178545	1	SUPPORT
			-Not as spare part now-
			-Replaced by 201282-
43	201282	1	SUPPORT
44	14358524	2	SCREW
45	10519378	2	WASHER
46	182896	2	THICKNESS
47	10440990	1	BRACKET WITH SHEATH
48	10977724	1	SCREW
49	12637824	1	WASHER
50	10267550	2	THREADED PLUG
51	178331	1	THRUST BEARING
			-Not as spare part-
			-Replaced by 201024-
51	201024	1	THRUST BEARING



Soluzione superata  
Old solution



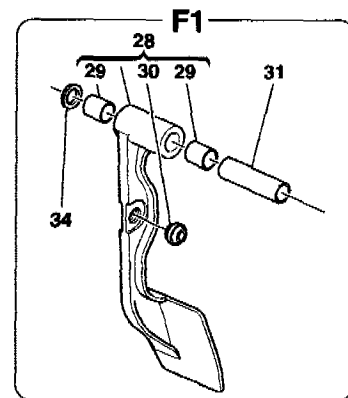
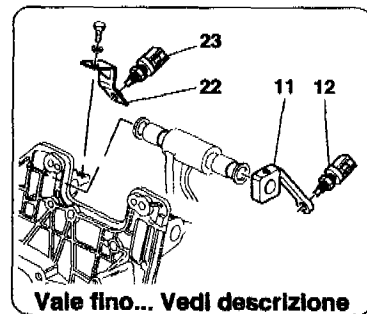
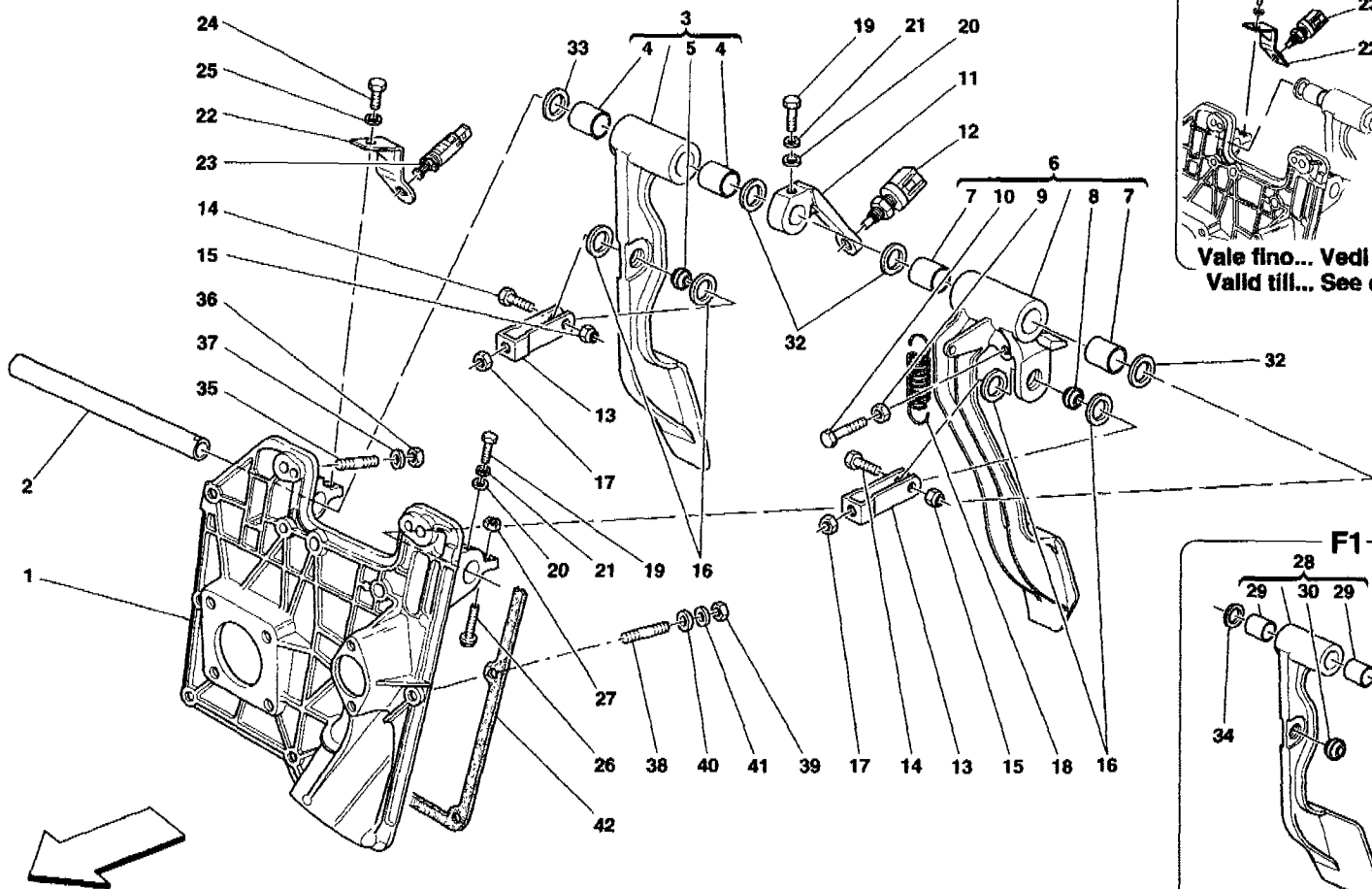
360 Modena - 28 - CLUTCH AND CONTROLS -Valid for F1-

1	180950	1	COMPLETE CLUTCH -Valid till car Ass. Nr. 43021 (gearbox No. 7921)- -Not as spare part- -Replaced by clutch 186158 + ring gear 186157 and appropriate fixages-
1	186158	1	COMPLETE CLUTCH -Valid from car Ass. Nr. 43022 (gearbox No. 7922)- -Not as spare part- -Replaced by 199044-
1	199044	1	COMPLETE CLUTCH -Not as spare part- -Replaced by 201680-
1	201680	1	COMPLETE CLUTCH
2	180613	1	CLUTCH DISC
3	181596	1	COMPLETE ENGINE FLYWHEEL
4	103876	1	FLYWHEEL FIXING WASHER
5	103875	8	SCREW -Not as spare part- -Replaced by 201755-
5	201755	8	SCREW
6	121834	1	BRACKET
7	176917	1	RING GEAR -Valid till car Ass. Nr. 43021 (gearbox No. 7921)- -Not as spare part- -Replaced by clutch 186158 + ring gear 186157 and appropriate fixages-
7	186157	1	RING GEAR -Valid from car Ass. Nr. 43022 (gearbox No. 7922)-
8	14305424	3	SCREW -Not as spare part- -Replaced by 186196-
8	186196	3	SCREW -For 6 holes ring gear q.ty 6-
9	127494	3	WASHER -For 3 holes ring gear-
9	11197774	6	WASHER -For 6 holes ring gear-
10	178739	15	SCREW
11	11194379	15	WASHER
12	181827	1	COMPLETE THRUST BEARING -Not as spare part- -Replaced by 190771-
12	190771	1	COMPLETE THRUST BEARING -Not as spare part-
13	181837	1	SCRAPER RING
14	181839	1	RING -Not as spare part- -Replaced by 189183-
14	189183	1	RING -Not as spare part- -Replaced by 170416-
14	170416	1	RING
15	181838	1	SEAL RING
16	181828	1	SEAL RING
17	181829	1	RING -Not as spare part- -Replaced by 189184-
17	189184	1	RING -Not as spare part- -Replaced by 154507-
17	154507	1	RING
18	181836	1	SCRAPER RING
19	173018	1	BEARING SUPPORT FLANGE -Not as spare part- -Replaced by 193793-
19	193793	1	COMPLETE BEARING SUPPORT FLANGE
20	171458	2	STUD FOR END OF STROKE -Valid till engine Nr. 81309-

			-Not as spare part-
			-Replaced by 205396-
20	205396	2	STUD FOR END OF STROKE
			-Valid from engine Nr. 81310-
21	12601374	2	WASHER
			-Not as spare part-
22	155207	2	PRELOAD SPRING
23	16287224	2	SCREW
24	155206	2	SPACER
25	136140	1	O.R. GASKET
26	172363	1	SEAL RING
27	166432	2	O.R. GASKET
28	164937	2	ANGULAR SPEED SENSOR
			-Valid till stock exhaustion-
28	182194	2	ANGULAR SPEED SENSOR
			-Valid after stock exhaustion of 164937-
29	14305724	2	SCREW
30	12601274	2	WASHER
31	180183	1	CLUTCH CONTROL TUBE
32	11903811	2	UNION
33	10284460	4	GASKET
34	180184	1	BLEEDER SYSTEM PIPE
35	167101	1	BLOCK
			-Not as spare part-
			-Replaced by 196918-
35	196918	1	BLOCK
36	16286324	1	SCREW
37	121699	1	BLEEDER SCREW
38	174554	1	COMPLETE CLUTCH HOSE
39	172964	1	FEMALE COUPLING
40	168729	1	ELECTRO-MAGNETIC SENSOR
41	11500124	1	STUD
42	10720124	1	NUT
43	12604274	1	WASHER
44	178545	1	SUPPORT
			-Not as spare part now-
			-Replaced by 201282-
44	201282	1	SUPPORT
45	14358524	2	SCREW
46	10519378	2	WASHER
47	178060	1	COMPLETE SENSOR KIT
			-Includes sensor ref. 50 and magnet-
48	14303324	2	SCREW
49	10519224	2	WASHER
50	165676	1	MAGNET
			-Not as spare part-
			-Replaced by 178060-
51	165658	1	O.R. GASKET
52	167802	1	PLUG
53	165567	1	PIN
54	14158570	1	PIN
55	171454	1	UNION
56	10261060	2	GASKET
57	178389	1	SENSOR FIXING BRACKET
			-Valid till stock exhaustion-
			-Replaced by 185230 rif.72-
58	13540724	1	STUD
59	102741	1	NUT
60	106850	1	WASHER
61	182896	2	THICKNESS
62	173360	2	SPACER
			-Possible fitting-
63	10440990	1	BRACKET WITH SHEATH
64	10977724	1	SCREW
65	12637824	1	WASHER
66	139512	1	BRACKET WITH SHEATH
67	102741	1	NUT
68	14496424	1	WASHER
69	14496424	1	WASHER

70	10979424	1	SCREW
71	10267550	2	THREADED PLUG
72	185230	1	SENSOR FIXING BRACKET -Not as spare part- -Replaced by 197831 + clip 170301 ref.75-
72	197831	1	SENSOR FIXING BRACKET
73	10902024	1	SCREW
74	10519424	1	WASHER
75	170301	1	CLIP
76	178331	1	THRUST BEARING -Not as spare part- -Replaced by 201024-
76	201024	1	THRUST BEARING





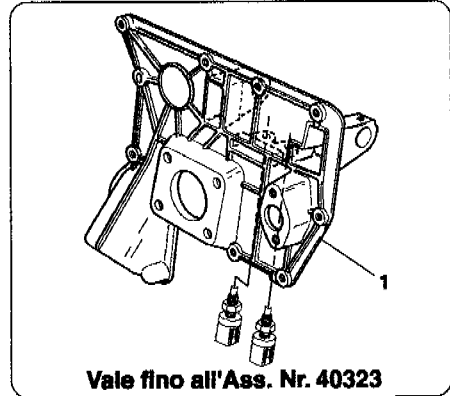
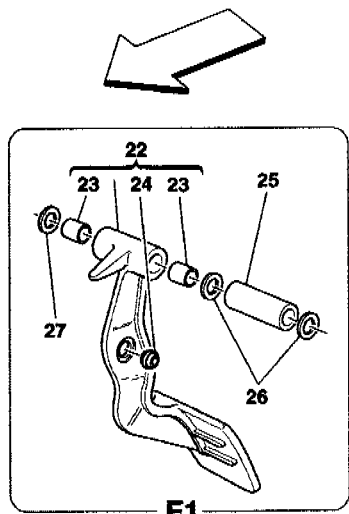
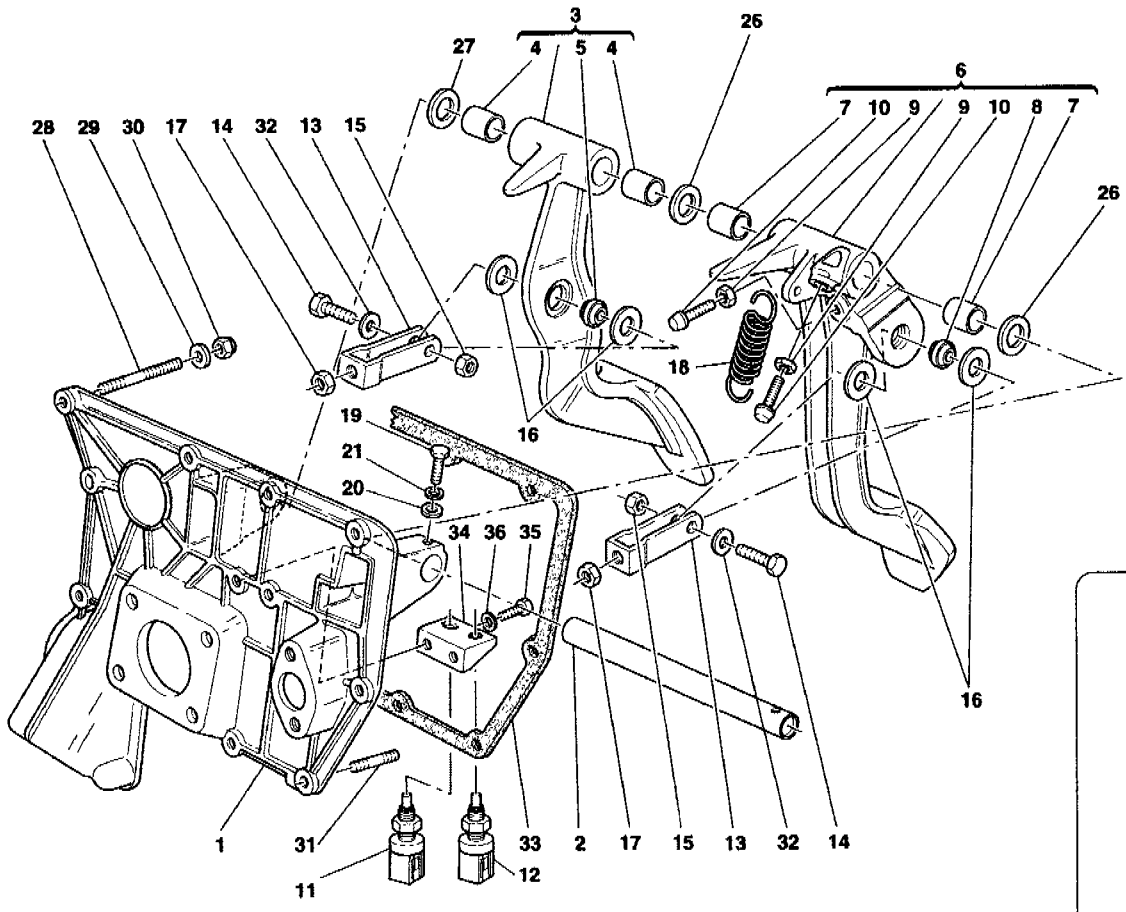
353 Modena - 29 - PEDALS -Not for GD-

1	176464	1	PEDALS SUPPORT
2	176466	1	PEDALS SUPPORT PIN
3	176473	1	COMPLETE BRAKE PEDAL -Not for F1- -Not as spare part- -Replaced by 180558-
3	180558	1	COMPLETE BRAKE PEDAL -Not for F1-
4	103163	2	SELF-LUBRICATING BUSHING -Not for F1-
5	176475	1	BALL JOINT -Not for F1-
6	176519	1	COMPLETE CLUTCH PEDAL -Not for F1- -Not as spare part- -Replaced by 180559-
6	180559	1	COMPLETE CLUTCH PEDAL -Not for F1-
7	103163	2	SELF-LUBRICATING BUSHING -Not for F1-
8	176475	1	BALL JOINT -Not for F1-
9	16102314	1	NUT -Not for F1-
10	144011	1	PEDAL ADJUSTEMENT PIN -Not for F1- -Not as spare part- -Replaced by 187014-
10	187014	1	PEDAL ADJUSTEMENT PIN -Not for F1-
11	176521	1	CENTRAL BRACKET -Not for F1- -Not as spare part replaced by 179785-
11	179785	1	CENTRAL BRACKET -Not for F1- -Valid till Ass. Nr. 38395-
11	180516	1	CENTRAL BRACKET -Not for F1- -Valid from Ass. Nr. 38396-
12	133555	1	PUSH-BUTTON SWITCH -Not for F1-
13	176471	2	FORK -Q.ty 1 for F1-
14	16043724	2	SCREW -Q.ty 1 for F1-
15	147985	2	NUT -Q.ty 1 for F1-
16	176522	4	PLASTIC WASHER -Q.ty 2 for F1-
17	16102314	2	NUT -Q.ty 1 for F1-
18	101305	1	RETUTN SPRING FOR PEDAL -Not for F1-
19	10902424	1	SCREW
20	14488624	2	WASHER -Not as spare part now- -Replaced by 10519424-
20	10519424	2	WASHER
21	127494	1	WASHER
22	176472	1	SWITCH SUPPORT -Not for USA MY 2000,2001,2002,2003,2004 and CDN MY 2000,2001,2002,2003,2004- -Valid till Ass. Nr. 38395 not for F1- -Valid till Ass. Nr. 36994 for F1-
22	183818	1	SWITCH SUPPORT -Valid for USA MY 2000, 2001,2002,2003,2004 and CDN MY 2000,2001,2002, 2003,2004- -Not for USA MY 2000,2001,2002,2003,2004 and

CDN MY 2000,2001,2002,2003,2004 from  
 Ass. Nr. 38396 not for F1 and from Ass. Nr. 36995 for F1-

23	133555	1
23	183433	1
24	16043224	1
25	106852	1
26	144011	1
26	187014	1
27	16102314	1
28	176910	1
28	180560	1
29	103163	2
30	176475	1
31	176918	1
32	113836	3
33	106083	1
33	113833	1
33	113834	1
33	113835	1
33	113836	1
34	106083	1
35	13516924	6
36	104030	6
37	12638524	6
38	13517024	2
39	16102377	2
40	13550321	2
41	12601374	2
42	176524	1

PUSH-BUTTON SWITCH  
 -Not for USA MY 2000,2001,2002,2003,2004 and  
 CDN MY 2000,2001,2002,2003,2004-  
 -Valid till Ass. Nr. 38395 not for F1-  
 -Valid till Ass. Nr. 36994 for F1-  
 PUSH-BUTTON SWITCH -Valid for USA MY 2000,  
 2001,2002,2003 and CDN MY 2000,2001,2002,  
 2003,2004-  
 -Not for USA MY 2000,2001,2002,2003,2004 and  
 CDN MY 2000,2001,2002,2003 from Ass. Nr. 38396  
 not for F1 and from Ass. Nr. 36995 for F1-  
 SCREW  
 WASHER  
 PEDAL ADJUSTEMENT PIN  
 -Not for F1-  
 -Not as spare part-  
 -Replaced by 187014-  
 PEDAL ADJUSTEMENT PIN  
 -Not for F1-  
 NUT  
 -Not for F1-  
 COMPLETE BRAKE PEDAL  
 -Valid for F1-  
 -Not as spare part replaced by 180560-  
 COMPLETE BRAKE PEDAL  
 -Valid for F1-  
 SELF-LUBRICATING BUSHING  
 -Valid for F1-  
 BALL JOINT  
 -Valid for F1-  
 SPACER  
 -Valid for F1-  
 WASHER  
 -Not for F1-  
 SPACER WASHER  
 -Th. 1mm-  
 -Not for F1-  
 SPACER WASHER  
 -Th. 1,1mm-  
 -Possible fitting-  
 -Not for F1-  
 SPACER WASHER  
 -Th. 1,2mm-  
 -Possible fitting-  
 -Not for F1-  
 SPACER WASHER  
 -Th. 1,3mm-  
 -Possible fitting-  
 -Not for F1-  
 SPACER WASHER  
 -Th. 1,4mm-  
 -Possible fitting-  
 -Not for F1-  
 SPACER WASHER  
 -Valid for F1-  
 STUD  
 NUT  
 WASHER  
 STUD  
 NUT  
 WASHER  
 WASHER  
 PEDALS SUPPORT GASKET

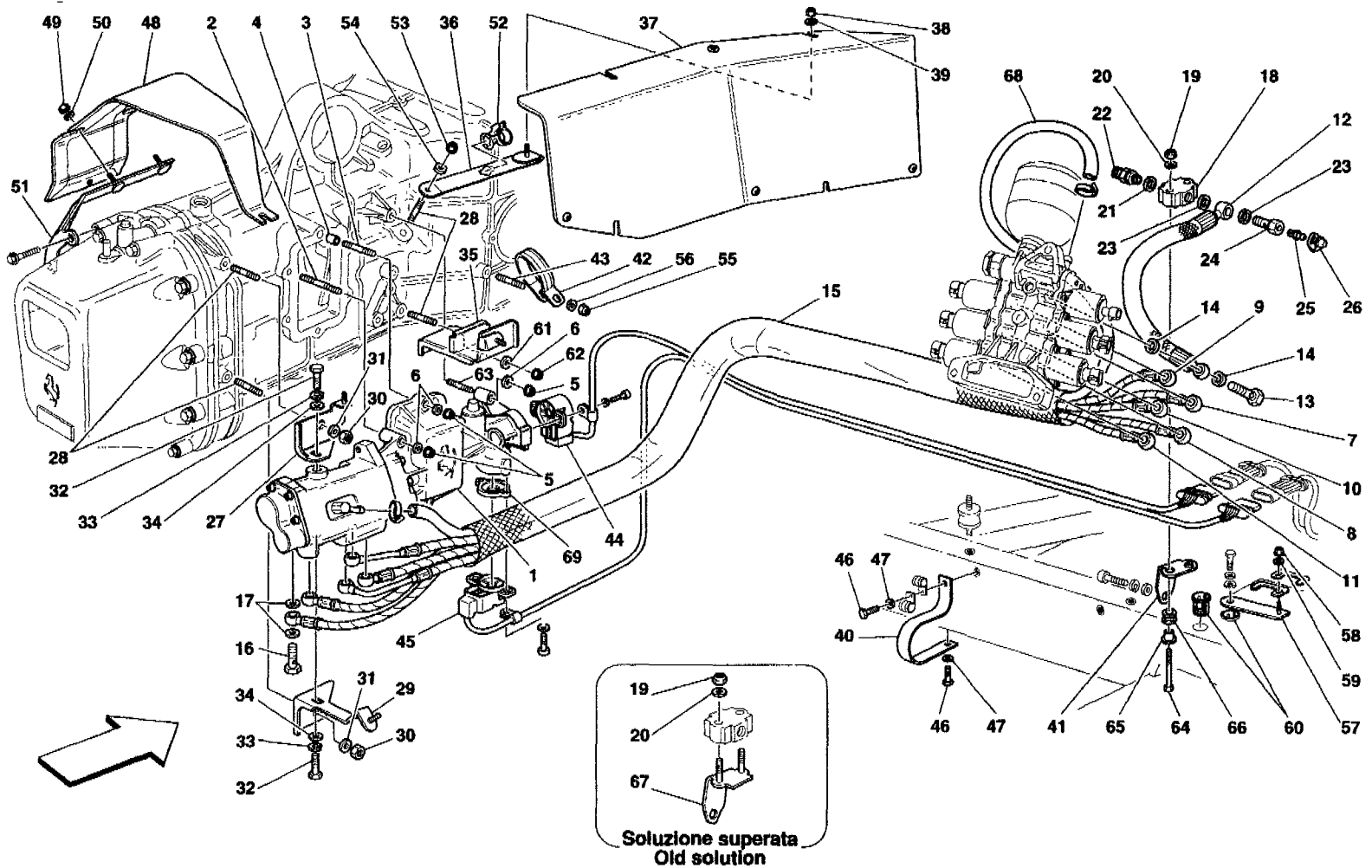


Vale fino all'Ass. Nr. 40323  
Valid till Car Ass. Nr. 40323

## 360 Modena - 30 - PEDALS -Valid for GD-

1	176168	1	PEDALS SUPPORT -Valid till Ass. Nr. 40323-
1	184388	1	PEDALS SUPPORT -Valid from Ass. Nr. 40324-
2	177120	1	PEDALS SUPPORT PIN
3	177118	1	COMPLETE BRAKE PEDAL -Not for F1-
4	103163	2	SELF-LUBRICATING BUSHING -Not for F1-
5	176475	1	BALL JOINT -Not for F1-
6	177119	1	COMPLETE CLUTCH PEDAL -Not for F1-
7	103163	2	SELF-LUBRICATING BUSHING -Not for F1-
8	176475	1	BALL JOINT -Not for F1-
9	16102314	2	NUT -Not for F1-
10	144011	2	PEDAL ADJUSTEMENT PIN -Not for F1- -Not as spare part- -Replaced by 187014-
10	187014	2	PEDAL ADJUSTEMENT PIN -Not for F1-
11	133555	1	PUSH-BUTTON SWITCH
12	133555	1	PUSH-BUTTON SWITCH -Not for F1-
13	176471	2	FORK -Q.ty 1 for F1-
14	16043724	2	SCREW -Q.ty 1 for F1-
15	147985	2	NUT -Q.ty 1 for F1-
16	176522	4	PLASTIC WASHER -Q.ty 2 for F1-
17	16102314	2	NUT -Q.ty 1 for F1-
18	101305	1	RETUTN SPRING FOR PEDAL -Not for F1-
19	10902424	1	SCREW
20	14488624	1	WASHER -Not as spare part now- -Replaced by 10519424-
20	10519424	1	WASHER
21	127494	1	WASHER
22	178511	1	COMPLETE BRAKE PEDAL -Valid for F1-
23	103163	2	SELF-LUBRICATING BUSHING -Valid for F1-
24	176475	1	BALL JOINT -Valid for F1-
25	178496	1	SPACER -Valid for F1-
26	113836	2	WASHER
27	106083	1	SPACER WASHER -Th. 1mm-
27	113833	1	SPACER WASHER -Th. 1,1mm- -Possible fitting-
27	113834	1	SPACER WASHER -Th. 1,2mm- -Possible fitting-
27	113835	1	SPACER WASHER -Th. 1,3mm- -Possible fitting-
27	113836	1	SPACER WASHER -Th. 1,4mm-

28	13517524	2	-Possible fitting-
29	12638524	11	STUD
30	104030	11	WASHER
31	13516924	9	NUT
32	12601374	2	STUD
33	177131	1	WASHER
34	186401	1	PEDALS SUPPORT GASKET
			SMALL PLATE
35	16043224	2	-Valid from Ass. Nr. 40324-
			SCREW
36	106852	2	-Valid from Ass. Nr. 40324-
			WASHER
			-Valid from Ass. Nr. 40324-

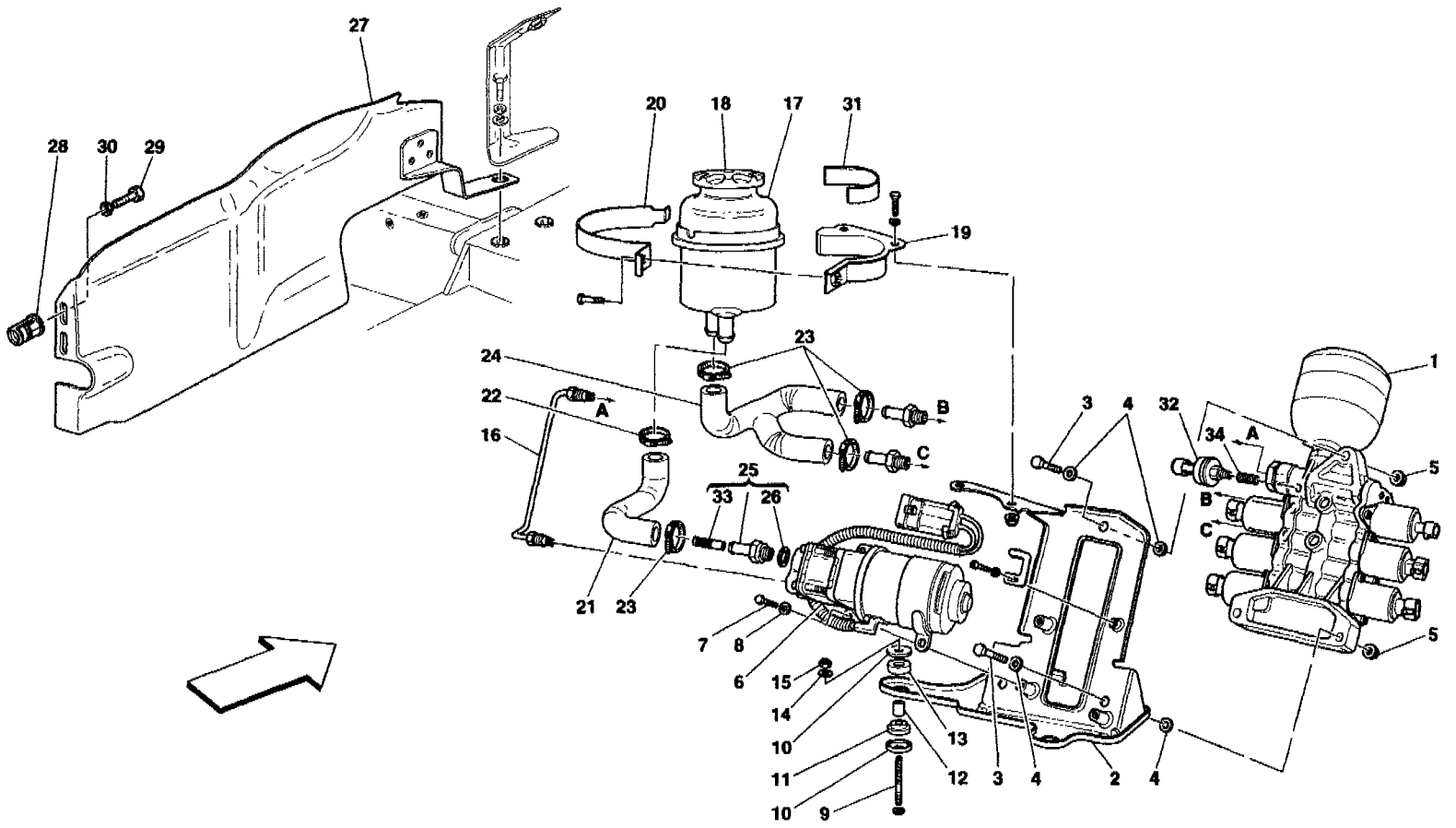


360 Modena - 31 - F1 CLUTCH HYDRAULIC CONTROL -Valid for F1-

*	181161	1	F1 GEARBOX SYSTEM COMPONENTS KIT
1	181160	1	COMPLETE HYDRAULIC ACTUATOR
2	11501024	4	STUD
3	11500724	2	STUD
4	103038	2	CENTERING DOWEL
5	132877	8	NUT
6	12601279	8	WASHER
7	179340	1	PIPE (EV1)
8	179342	1	PIPE (EV2)
9	179343	1	PIPE (EV3)
10	179344	1	PIPE (EV4)
11	179345	1	PIPE (EV5)
12	179348	1	PIPE FROM PUMP TO BLOCK
13	171454	6	UNION
14	10261060	12	GASKET
15	179346	1	PROTECTION SHEATH
16	171454	5	UNION
17	10261060	10	GASKET
18	175667	1	BLOCK
19	15896214	2	NUT
20	12601279	2	WASHER
21	171755	1	WASHER
22	172965	1	QUICK MALE COUPLING
23	10261060	2	GASKET
24	171630	1	UNION
25	152954	1	BLEEDER SCREW
26	152955	1	PROTECTION BOOT
27	174257	1	UPPER ACTUATOR SUPPORT BRACKET
28	13516424	2	STUD
29	174260	1	LOWER ACTUATOR SUPPORT BRACKET
29	195549	1	-Valid till stock exhaustion- LOWER ACTUATOR SUPPORT BRACKET
30	16100814	2	NUT
31	127496	2	WASHER
32	16043124	2	SCREW
33	127496	2	WASHER
34	10519624	2	WASHER
35	180807	1	PIPES SUPPORTING BRACKET
36	181614	1	SHIELD SUPPORTING BRACKET
37	177384	1	SHIELD FOR ACTUATOR PROTECTION
38	160472	4	NUT
39	12637824	4	WASHER
40	176134	2	PIPES SUPPORTING BRACKET
40	180782	2	-Not as spare part replaced by 180782- PIPES SUPPORTING BRACKET
41	186685	1	BLOCK SUPPORT BRACKET
42	124034	1	BRACKET WITH SHEATH
43	13540724	1	STUD
44	182156	1	SELECTION SENSOR
44	181325	1	-Not as spare part replaced by 181325- SELECTION SENSOR
45	182156	1	COUPLING SENSOR
45	181325	1	-Not as spare part replaced by 181325- COUPLING SENSOR
46	10902124	4	SCREW
47	14496424	4	WASHER
48	180744	1	SENSOR PROTECTION SHIELD
49	160472	2	NUT
50	12637824	2	WASHER
51	180745	1	SHIELD SUPPORTING BRACKET
52	164565	1	CLIP
53	177778	1	NUT
54	12638524	2	WASHER

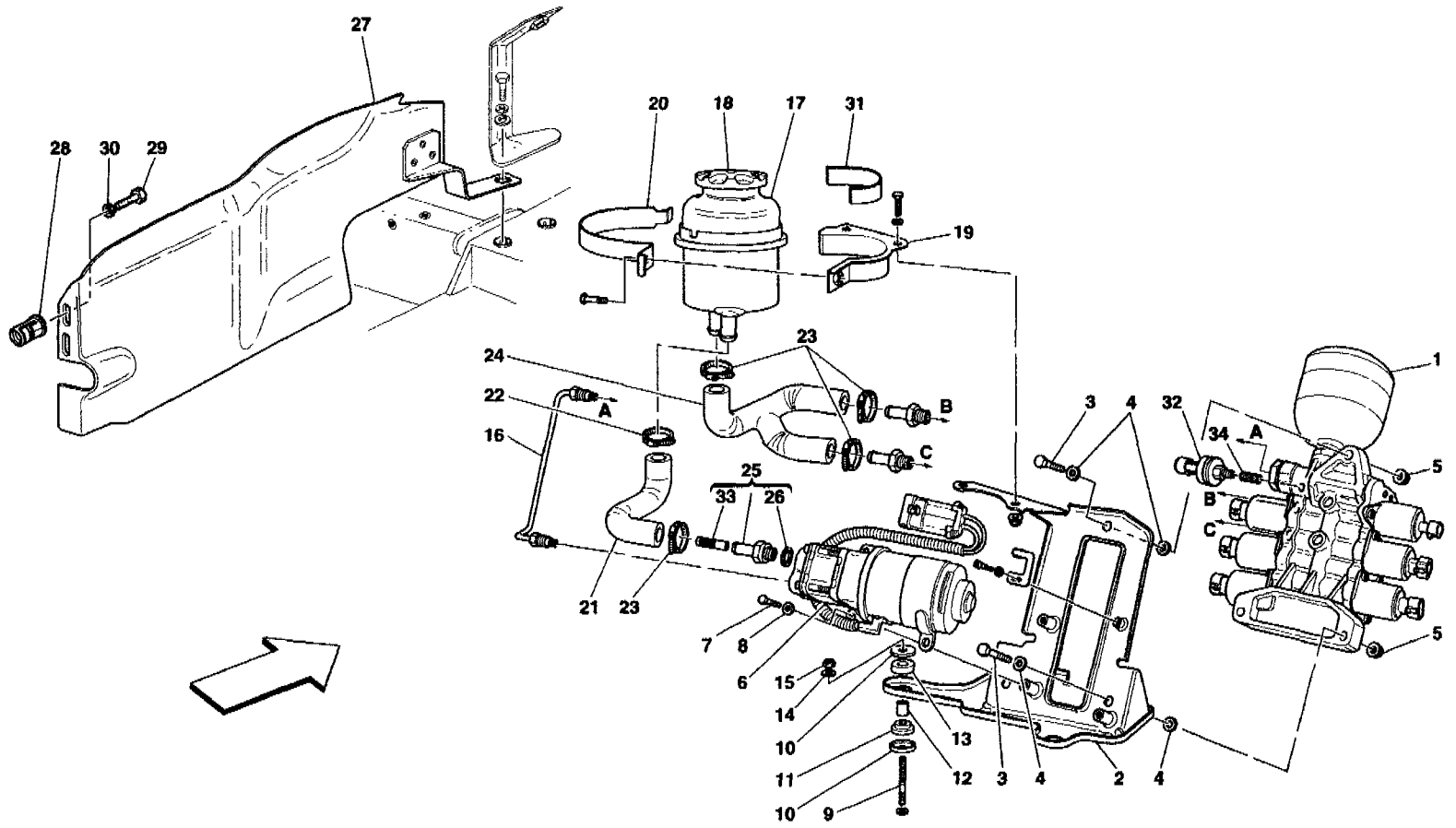


55	102741	1	NUT
56	12643724	1	WASHER
57	181344	1	CONNECTOR FIXING BRACKET
58	169180	1	NUT
59	14496324	1	WASHER
60	65891200	4	NUT WITH CAGE
61	12638524	2	WASHER
62	177778	2	NUT
63	11500624	2	STUD
64	10903224	2	SCREW
65	149707	2	SPACER
66	177576	2	CABLE GROMMET
67	176142	1	BLOCK SUPPORT BRACKET
68	180965	1	OIL RECYCLE PIPE
69	192911	1	POTENTIOMETER SUPPORT



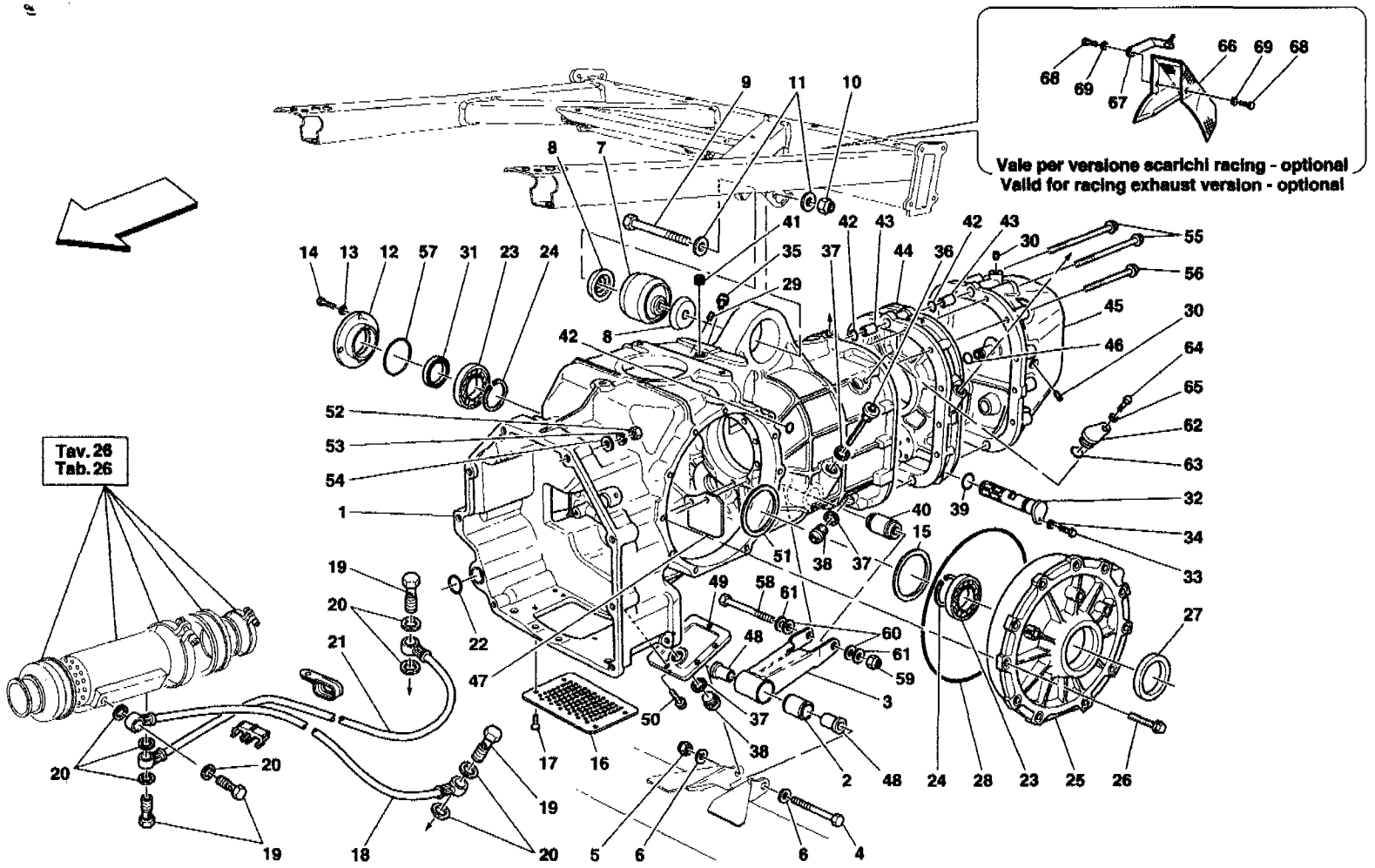
360 Modena - 32 - POWER UNIT AND TANK -Valid for F1-

*	181161	1	F1 GEARBOX SYSTEM COMPONENTS KIT
1	179533	1	POWER UNIT
2	179296	1	POWER UNIT SUPPORTING BRACKET
3	16043934	3	SCREW
4	14496524	6	WASHER
5	175283	3	NUT
6	178757	1	ELECTRIC PUMP -Not as spare part- -Replaced by 213264-
6	213264	1	ELECTRIC PUMP
7	10902324	3	SCREW
8	14496424	3	WASHER
9	11500824	2	STUD
10	179636	6	CUP
11	179639	3	LOWER PAD
12	179637	3	SPACER
13	179638	3	UPPER PAD
14	12620474	3	WASHER
15	14058411	3	NUT
16	179693	1	PIPE FROM ELECTRICAL PUMP TO POWER UNIT -Not as spare part replaced by 186037-
16	186037	1	PIPE FROM ELECTRICAL PUMP TO POWER UNIT
17	167002	1	OIL TANK
18	180280	1	PLUG
19	179593	1	BRACKET FOR TANK SUPPORT
20	171746	1	SUPPORT CLAMP
21	179338	1	PIPE FROM TANK TO PUMP
22	13000390	1	SCREW COLLAR
23	161490	4	SCREW COLLAR
24	179339	1	PIPE FROM TANK TO POWER UNIT -Valid till stock exhaustion-
24	181915	1	PIPE FROM TANK TO POWER UNIT -Valid after stock exhaustion of 179339-
25	179694	1	UNION -Not as spare part- -Replaced by 185858-
25	185858	1	COMPLETE UNION
26	10280050	1	GASKET
27	180823	1	SHIELD FOR POWER UNIT PROTECTION
28	65891200	2	NUT WITH CAGE
29	16043624	2	SCREW
30	12638524	2	WASHER
31	183718	1	RUBBER GASKET
32	190662	1	PRESSURE SENSOR
33	193540	1	UNION FILTER
34	213111	1	FILTER



360 Modena - 32 - POWER UNIT AND TANK -Valid for F1-

*	181161	1	F1 GEARBOX SYSTEM COMPONENTS KIT
1	179533	1	POWER UNIT
2	179296	1	POWER UNIT SUPPORTING BRACKET
3	16043934	3	SCREW
4	14496524	6	WASHER
5	175283	3	NUT
6	178757	1	ELECTRIC PUMP -Not as spare part- -Replaced by 213264-
6	213264	1	ELECTRIC PUMP
7	10902324	3	SCREW
8	14496424	3	WASHER
9	11500824	2	STUD
10	179636	6	CUP
11	179639	3	LOWER PAD
12	179637	3	SPACER
13	179638	3	UPPER PAD
14	12620474	3	WASHER
15	14058411	3	NUT
16	179693	1	PIPE FROM ELECTRICAL PUMP TO POWER UNIT -Not as spare part replaced by 186037-
16	186037	1	PIPE FROM ELECTRICAL PUMP TO POWER UNIT
17	167002	1	OIL TANK
18	180280	1	PLUG
19	179593	1	BRACKET FOR TANK SUPPORT
20	171746	1	SUPPORT CLAMP
21	179338	1	PIPE FROM TANK TO PUMP
22	13000390	1	SCREW COLLAR
23	161490	4	SCREW COLLAR
24	179339	1	PIPE FROM TANK TO POWER UNIT -Valid till stock exhaustion-
24	181915	1	PIPE FROM TANK TO POWER UNIT -Valid after stock exhaustion of 179339-
25	179694	1	UNION -Not as spare part- -Replaced by 185858-
25	185858	1	COMPLETE UNION
26	10280050	1	GASKET
27	180823	1	SHIELD FOR POWER UNIT PROTECTION
28	65891200	2	NUT WITH CAGE
29	16043624	2	SCREW
30	12638524	2	WASHER
31	183718	1	RUBBER GASKET
32	190662	1	PRESSURE SENSOR
33	193540	1	UNION FILTER
34	213111	1	FILTER



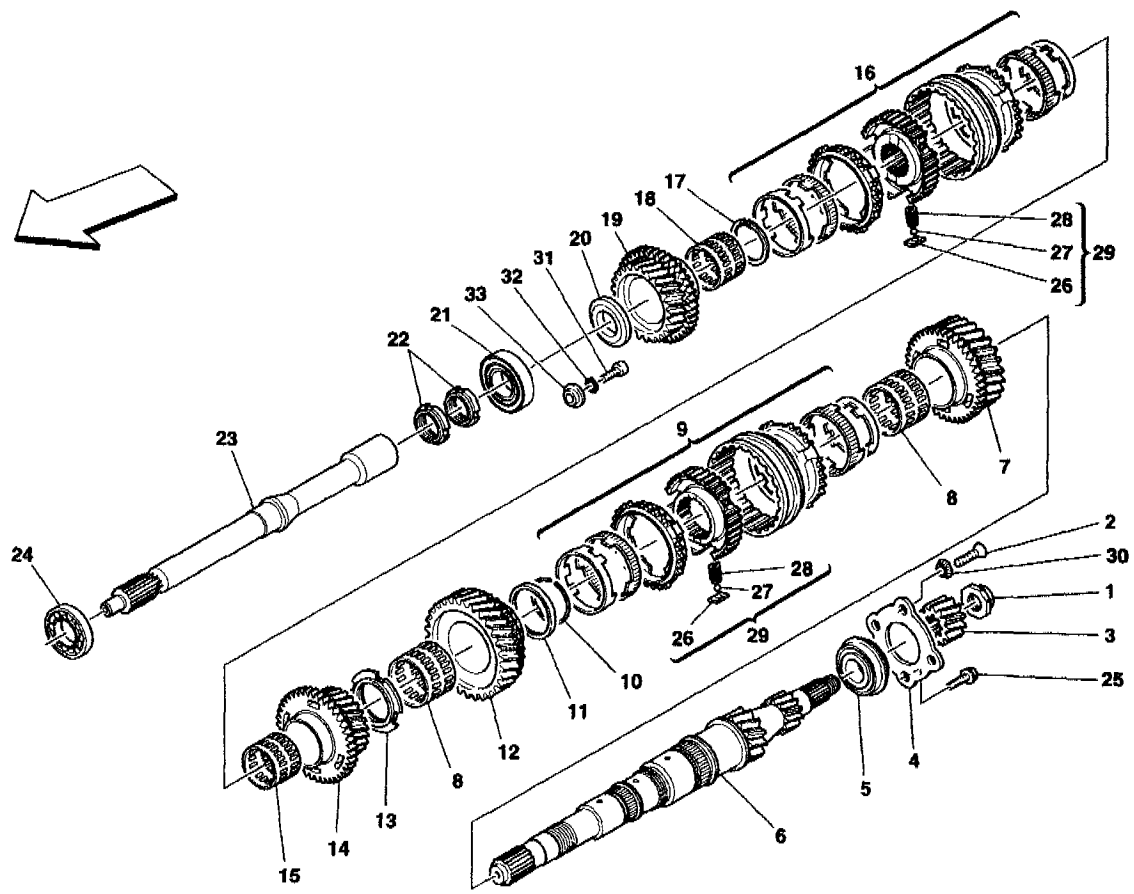
## 360 Modena - 33 - GEARBOX - COVERS

1	186248	1	BOX TRANSMISSION -For cars from gearbox Nr. 459 to gearbox Nr. 1088 order also part. 181618 Q.1,184994 Q.1, 185014 Q.1,183981 Q.1,10902224 Q.4 and 11194377 Q.4-
1	183339	1	COMPLETE TRANSMISSION -Not for F1-
1	183340	1	COMPLETE TRANSMISSION -Valid for F1-
2	181755	1	PAD
3	174458	1	SMALL LINK
4	15541234	1	SCREW
5	102825	1	NUT
6	14496724	2	WASHER
7	183569	1	RESILIENT BUSHING -Valid till Ass. Nr. 40522-
7	186698	1	GEARBOX SUPPORT PAD -Valid from Ass. Nr. 40523-
8	179559	2	RETAINING WASHER -Valid till Ass. Nr. 40522-
8	188141	2	RETAINING WASHER -Valid from Ass. Nr. 40523-
9	11117134	1	SCREW
10	106004	1	NUT
11	14496824	2	WASHER
12	183981	1	R.H. FLANGE FOR SHAFT -Valid till gearbox Nr. 458 and from gearbox Nr. 1089-
13	11194377	4	WASHER -Valid till gearbox Nr. 458 and from gearbox Nr. 1089-
14	10902224	4	SCREW -Valid till gearbox Nr. 458 and from gearbox Nr. 1089-
15	185026	1	RING -Thickness mm. 6,8-
15	185027	1	RING -Thickness mm. 6,4- -Possible fitting-
15	185028	1	RING -Thickness mm. 6,0- -Possible fitting-
16	171701	1	PROTECTION DRILLET PLATE
17	111189	4	SCREW
18	173686	1	OIL DELIVERY TUBE
19	184727	4	UNION
20	145192	8	GASKET
21	173687	1	OIL RETURN TUBE
22	123236	1	O.R. GASKET
23	184995	2	BALL BEARING
24	184994	2	FLEXIBLE RING -Q.ty 1 from gearbox Nr. 458 to gearbox Nr. 1088-
25	171117	1	DIFFERENTIAL COVER
26	16287321	11	SCREW
27	181617	1	L.H. OIL RING
28	14468781	1	GASKET
29	14326050	1	THREADED PLUG
30	182106	2	THREADED PLUG
31	181618	1	R.H. OIL RING -Valid till gearbox Nr. 458 and from gearbox Nr. 1089-
31	184006	1	R.H. OIL RING -Valid from gearbox Nr. 459 and till gearbox Nr. 1088-
32	182100	1	GEAR BOX OIL FILTER
33	10977624	1	SCREW
34	11199277	1	WASHER

35	182118	1	OIL VENT
36	182117	1	OIL LEVEL ROD
37	10263460	3	GASKET
38	183962	2	PLUG
39	182119	1	O.R. GASKET
40	183490	1	PAD
41	14324911	1	PLUG
42	14456981	4	GASKET
43	150957	4	CENTERING BUSHING
44	173611	1	PLATE
45	173612	1	REAR COVER
46	137192	2	GASKET
47	183986	1	PLATE
48	183457	2	BUSHING
49	171045	1	LOWER COVER
50	16286121	6	SCREW
51	185029	1	RING
			-Thickness mm. 3,30-
51	185033	1	RING
			-Thickness mm. 2,95-
			-Possible fitting-
51	185034	1	RING
			-Thickness mm. 2,60-
			-Possible fitting-
52	133988	6	NUT
53	127497	6	WASHER
54	14496624	6	WASHER
55	184008	2	SCREW
			-Not as spare part-
			-Replaced by 16297424-
55	16297424	2	SCREW
56	16288221	10	SCREW
57	14460981	1	O.R. GASKET
58	15213834	1	SCREW
59	104030	1	NUT
60	125322	2	WASHER
61	14496524	4	WASHER
62	185721	1	PLUG
			-Not for F1-
63	14453481	1	O.R. GASKET
			-Not for F1-
64	10902224	1	SCREW
			-Not for F1-
65	11194377	1	WASHER
			-Not for F1-
66	67912300	1	ANTI-HEAT SHIELD
			-Valid for racing exhaust version-
			-Optional
67	67912400	1	BRACKET FOR CABLES SUPPORT
			-Valid for racing exhaust version-
			-Optional
68	10977624	2	SCREW
			-Valid for racing exhaust version-
			-Optional-
69	14446924	2	WASHER
			-Valid for racing exhaust version-
			-Optional-

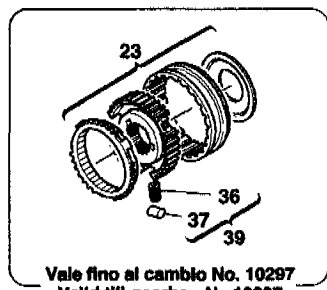
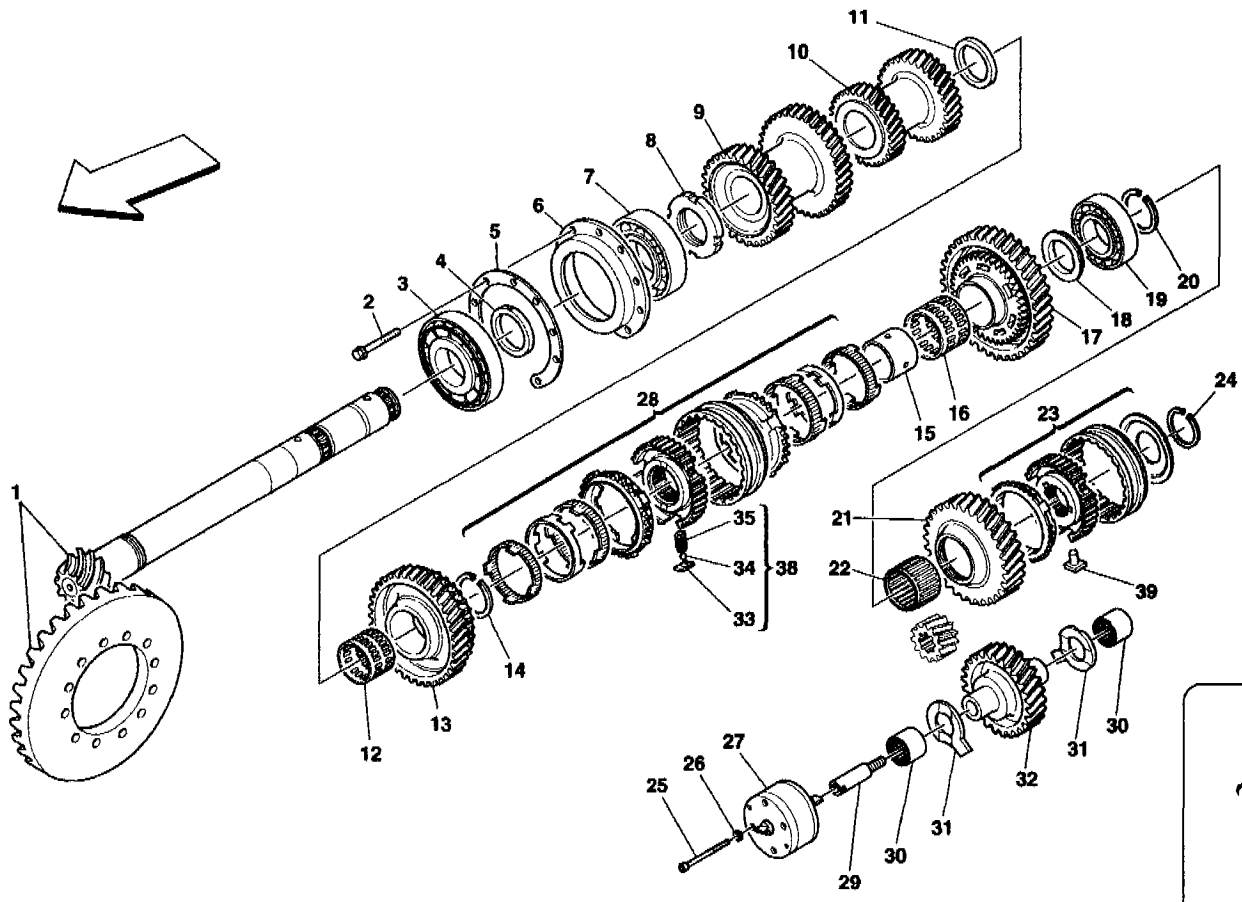


360 Modena - 34 - MAIN SHAFT GEARS



360 Modena - 34 - MAIN SHAFT GEARS

1	183967	1	RING NUT
2	14442027	2	SCREW
3	183966	1	REVERSE DRIVING GEAR
4	183984	1	REAR PLATE
5	184019	1	BALL BEARING
6	183964	1	MAIN SHAFT
7	183949	1	PINION FOR 5th GEAR
8	184015	2	ROLLER CAGE
9	185166	1	5th AND 6th GEAR COMPLETE SYNCHRONIZER
10	184011	1	FLEXIBLE RING
11	183970	1	SPACER FOR PINION FOR 6th GEAR
12	183950	1	PINION FOR 6th GEAR
13	184010	1	RING
14	183947	1	PINION FOR 3rd GEAR
15	184014	1	ROLLER CAGE
16	185165	1	3rd AND 4th GEAR COMPLETE SYNCHRONIZER
17	184042	1	FLEXIBLE RING
18	184005	1	ROLLER CAGE
19	183948	1	PINION FOR 4th GEAR
20	183973	1	WASHER
21	184021	1	ROLLER BEARING
22	184012	2	RING NUT
23	183965	1	CLUTCH SHAFT
24	184013	1	BALL BEARING
25	16287124	2	SCREW
26	184991	6	PAD FOR SYNCHRONIZER -Not as spare part- -Replaced by 188320- -See ref. 29-
27	184997	6	BALL -Not as spare part- -Replaced by 188320- -See ref. 29-
28	184989	6	SPRING -Not as spare part- -Replaced by 188320- -See ref. 29-
29	188320	2	PAD FOR SYNCHRONIZER/BALL/ SPRING REPLACEMENT KIT
30	12606979	2	WASHER
31	14305721	1	SCREW
32	10569274	1	WASHER
33	183985	1	BUSHING

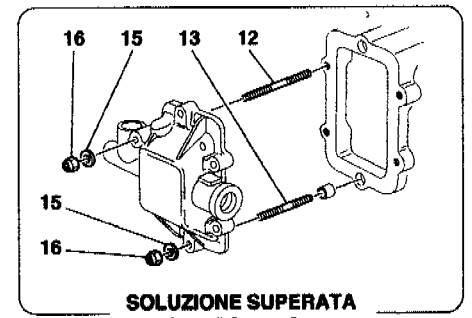
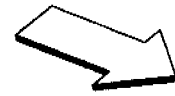
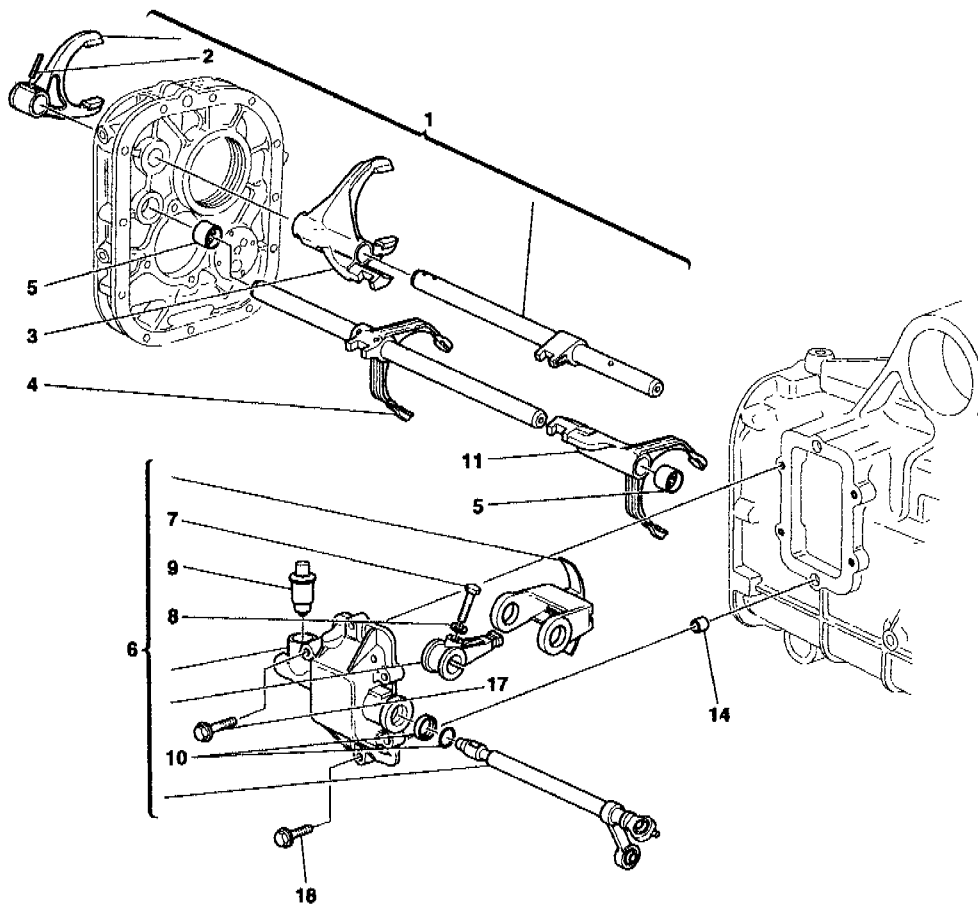


Vale fino al cambio No. 10297  
Valid till gearbox Nr. 10297

360 Modena - 35 - LAY SHAFT GEARS

1	185023	1	COMPETE BEVEL SET
2	16287731	9	SCREW -Not as spare part- -Replaced by 16287730-
2	16287730	9	SCREW
3	185022	1	ROLLER BEARING
4	185045	1	REGISTER RING -Thickness mm. 7,10-
4	185046	1	REGISTER RING -Thickness mm. 6,85- -Possible fitting-
4	185047	1	REGISTER RING -Thickness mm. 6,60- -Possible fitting-
5	185042	1	REGISTER RING -Thickness mm. 2,8-
5	185043	1	REGISTER RING -Thickness mm. 2,5- -Possible fitting-
5	185044	1	REGISTER RING -Thickness mm. 2,2- -Possible fitting-
6	185020	1	BEARING SUPPORT
7	185021	1	ROLLER BEARING
8	185019	1	RING NUT -Not as spare part- -Replaced by 196667-
8	196667	1	RING NUT
9	185018	1	3rd AND 4th DRIVEN GEAR
10	185017	1	5th AND 6th DRIVEN GEAR
11	183974	1	RING -Thickness mm. 4,30-
11	185038	1	RING -Thickness mm. 3,95- -Possible fitting-
11	185039	1	RING -Thickness mm. 3,60- -Possible fitting-
12	184014	1	ROLLER CAGE
13	183946	1	PINION FOR 2nd GEAR
14	183976	1	FLEXIBLE RING -Thickness mm. 2,10-
14	185036	1	FLEXIBLE RING -Thickness mm. 1,85- -Possible fitting-
14	185037	1	FLEXIBLE RING -Thickness mm. 1,60- -Possible fitting-
15	183971	1	BUSHING
16	184016	1	ROLLER CAGE
17	183945	1	PINION FOR 1st GEAR
18	183972	1	RING -Thickness mm. 5,10-
18	185040	1	RING -Thickness mm. 4,85- -Possible fitting-
18	185041	1	RING -Thickness mm. 4,60- -Possible fitting-
19	184020	1	ROLLER BEARING
20	184042	1	FLEXIBLE RING
21	185168	1	REVERSE GEAR -Valid till gearbox No. 10297-
21	193438	1	REVERSE GEAR -Valid from gearbox No. 10298-
22	184018	1	ROLLER CAGE

23	185167	1	REVERSE GEAR COMPLETE SYNCHRONIZER -Vale till gearbox No. 10297-
23	193439	1	REVERSE GEAR COMPLETE SYNCHRONIZER -Valid from gearbox No. 10298-
24	184041	1	FLEXIBLE RING
25	14303624	4	SCREW
26	10571379	4	WASHER
27	185048	1	BEARBOX OIL PUMP
28	185164	1	1st AND 2nd GEAR COMPLETE SYNCHRONIZER
29	185050	1	PIN
30	184017	2	ROLLER CASING
31	183975	2	RING
32	183969	1	IDLE GEAR FOR REVERSE
33	184991	3	PAD FOR SYNCHRONIZER -Not as spare part- -Replaced by 188320- -See ref.38-
34	184997	3	BALL -Not as spare part- -Replaced by 188320- -See ref.38-
35	184989	3	SPRING FOR BALL -Not as spare part- -Replaced by 188320- -See ref.38-
36	185015	3	SPRING -Not as spare part- -Replaced by 188321- -See ref.39-
37	185016	3	ROLL -Not as spare part- -Replaced by 188321- -See ref.39-
38	188320	1	PAD FOR SYNCHRONIZER/BALL/ SPRING REPLACEMENT KIT
39	188321	1	SPRING/ROLL/SYNCHRO REVERSE GEAR KIT -Vale till gearbox No. 10297-
39	193440	1	PADS/SYNCHRO REVERSE GEAR KIT -Valid from gearbox No. 10298-

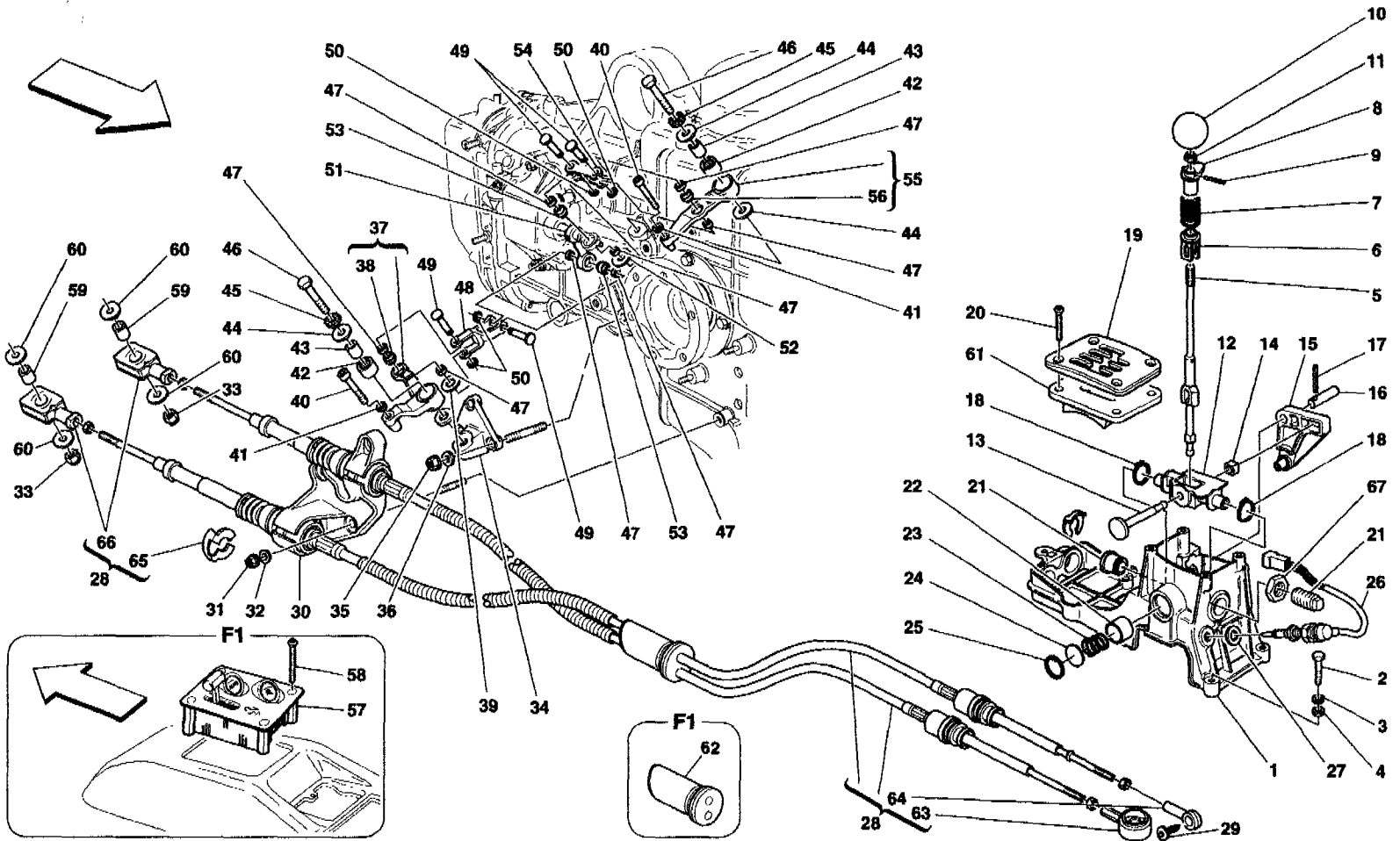


**SOLUZIONE SUPERATA  
OLD SOLUTION**

360 Modena - 36 - INSIDE GEARBOX CONTROLS

1	183952	1	CONTROL ROD FOR REVERSE
2	13910470	1	FLEXIBLE PIN
3	183953	1	CONTROL FORK FOR 1st AND 2nd GEAR
4	183955	1	ROD FOR 5th AND 6th GEAR
5	183982	2	BEARING BUSH
6	184022	1	COMPLETE OUTER CONTROL -Not for F1-
7	185216	1	SCREW -Not for F1-
8	10516679	1	WASHER -Not for F1-
9	184990	1	ROD-TIP FOR GEARBOX CONTROL SHAFT -Not for F1-
10	174915	1	RING AND SCRAPER RING -Not for F1-
11	183954	1	CONTROL FORK FOR 3rd AND 4th GEAR -Not as spare part- -Replaced by 184646-
11	184646	1	CONTROL FORK FOR 3rd AND 4th GEAR
12	11501424	1	STUD -Not for F1-
13	11500724	5	STUD -Not for F1-
14	145992	2	CENTERING DOWEL -Not for F1-
15	11194377	6	WASHER -Not for F1-
16	15896211	6	NUT -Not for F1-
17	16286721	1	SCREW -Not for F1-
18	16286321	5	SCREW -Not for F1-

360 Modena - 37 - OUTSIDE GEARBOX CONTROLS



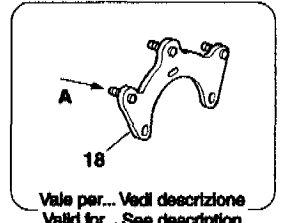
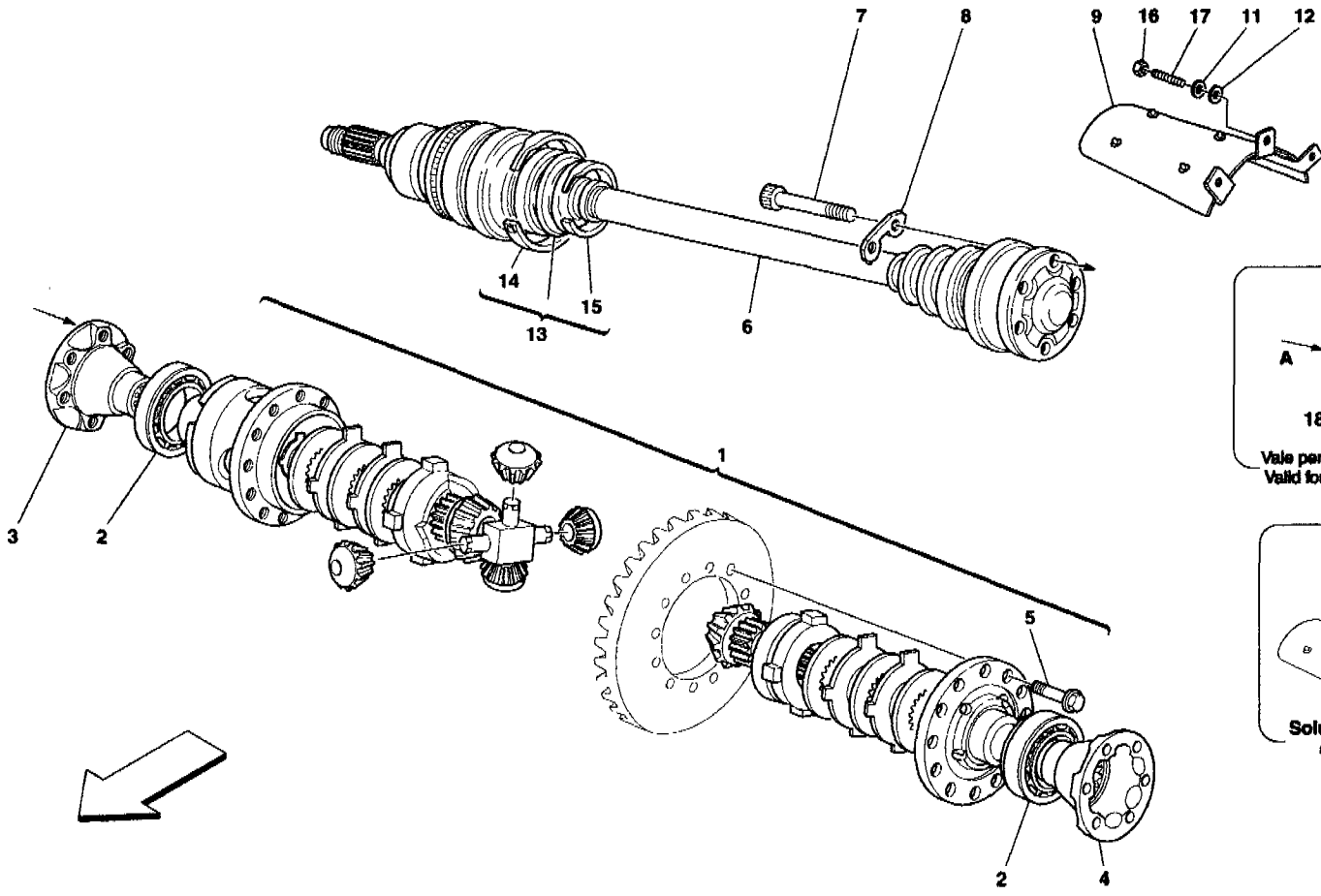


## 360 Modelna - 37 - OUTSIDE GEARBOX CONTROLS

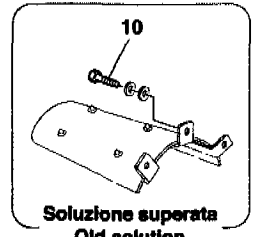
1	176418	1	GEARBOX CONTROL -Not for F1- -Not as spare part replaced by 181751-
1	181751	1	GEARBOX CONTROL -Not for F1-
2	16044024	4	SCREW -Not for F1-
3	12601374	4	WASHER -Not for F1-
4	14496524	4	WASHER -Not for F1-
5	176423	1	GEARBOX CONTROL LEVER -Not for F1- -Not as spare part replaced by 180936-
5	180936	1	GEARBOX CONTROL LEVER -Not for F1-
6	174967	1	BUSHING -Not for F1-
7	159137	1	SPRING -Not for F1-
8	176424	1	BUSHING -Not for F1- -Not as spare part- -Replaced by 199070-
8	199070	1	BUSHING -Not for F1-
9	13895870	1	PIN -Not for F1- -Not as spare part- -Replaced by 13896070-
9	13896070	1	PIN -Not for F1-
10	160480	1	KNOB -Not for F1-
11	108010	1	COUNTER NUT -Not for F1-
12	176626	1	FULCRUM -Not for F1-
13	176425	1	PIN -Not for F1-
14	172934	1	SMALL BLOCK -Not for F1-
15	176642	1	LEVER -Not for F1-
16	176419	1	PIN -Not for F1-
17	14160570	1	PIN -Not for F1-
18	172918	2	SAFETY RING -Not for F1-
19	179844	1	GEAR SELECTOR -Not for F1-
20	159357	4	SCREW -Not for F1-
21	176904	2	PLUG -Not for F1- -Valid for gearbox control 176418-
21	181752	1	REAR BUSHING -Valid for gearbox control 181751-
21	181753	1	FRONT BUSHING -Valid for gearbox control 181751-
22	177029	1	PIN -Not for F1-
23	177027	1	SIDE SPRING -Not for F1-
24	177028	1	SPRING RETAINING DISC -Not for F1-
25	11058976	1	FLEXIBLE RING

26	115980	1	-Not for F1- PUSH-BUTTON SWITCH
27	12601574	1	-Not for F1- WASHER
28	178220	1	-Not for F1- COMPLETE GEARBOX CONTROL CABLES
28	180701	1	-Not for F1- -Not as spare part replaced by 180701 COMPLETE GEARBOX CONTROL CABLES
28	182268	1	-Not for F1- -Replaces 178220- -Valid till Ass. Nr. 35396- COMPLETE GEARBOX CONTROL CABLES
29	14567187	1	-Not for F1- -Valid from Ass. Nr. 35397- BUTTON
30	177812	1	-Not for F1- BRACKET FOR CABLE FIXING
31	132877	3	-Not for F1- NUT
32	14496424	3	-Not for F1- WASHER
33	14048115	2	-Not for F1- NUT
34	177105	1	-Not for F1- SUPPORT FOR LEVERAGE
35	150978	3	-Not for F1- NUT
35	177778	3	-Not for F1- -Not as spare part- -Replaced by 177778- NUT
36	12638524	3	-Not for F1- WASHER
37	178840	1	-Not for F1- LEVER
37	186369	1	-Not for F1- -Valid till Ass. Nr. 35396- LEVER
38	109407	1	-Not for F1- -Valid from Ass. Nr. 35397- BALL JOINT
39	178423	1	-Not for F1- THICKNESS
40	14305824	2	-Not for F1- SCREW
41	14499324	2	-Not for F1- WASHER
42	171677	2	-Not for F1- ROLLER BEARING
43	174984	2	-Not for F1- BUSHING
44	171671	4	-Not for F1- WASHER
45	10615674	2	-Not for F1- WASHER
46	16044024	2	-Not for F1- SCREW
47	171673	8	-Not for F1- SPACER
48	174911	1	-Not for F1- FORK
49	174974	4	-Not for F1- PIN
50	11065676	4	-Not for F1- SEEGER RING

50	11065674	4	-Not as spare part- -Replaced by 11065674- SEEGER RING
51	176951	1	-Not for F1- CONNECTION -Not for F1-
52	178423	1	-Not as spare part- -Replaced by 184022- -See tab. 35 ref. 6- THICKNESS
53	109407	2	-Not for F1- BALL JOINT
54	174912	1	-Not for F1- FORK
55	178932	1	-Not for F1- LEVER
55	186371	1	-Valid till Ass. Nr. 35396- LEVER -Not for F1-
56	109407	1	-Valid from Ass. Nr. 35397- BALL JOINT
57	181067	1	-Not for F1- F1 GEARBOX CONTROL DASHBOARD
57	181068	1	-Valid for F1- -Not for GD- F1 GEARBOX CONTROL DASHBOARD
58	65404500	4	-Valid for F1- SCREW
59	182237	2	-Valid for GD- BUSHING
60	12643724	4	-Not for F1- WASHER
61	176422	1	-Not for F1- SPACER
62	180127	1	-Not for F1- CLOSING HOLE PAD
63	187873	1	-Valid for F1- R.H. JOINT
64	187874	1	-Not for F1- L.H. JOINT
65	187875	2	-Not for F1- LOCK RING
66	182435	2	-Not for F1- COMPLETE RUBBER JOINT
67	182391	1	-Not for F1- NUT -Valid for gearbox control 181751-



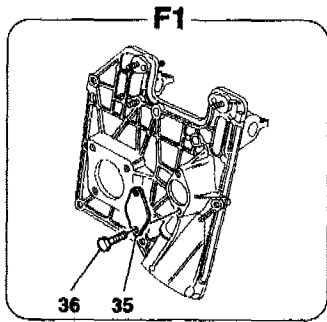
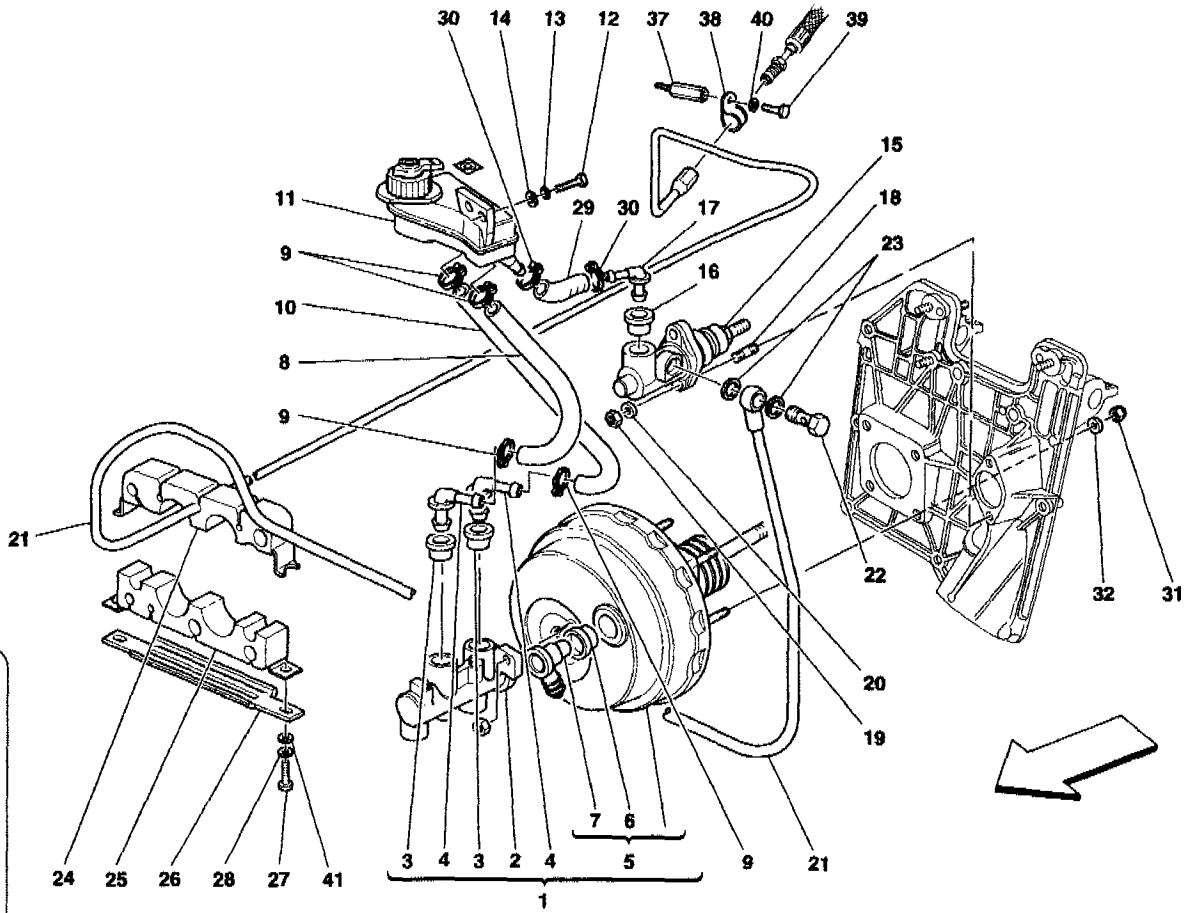
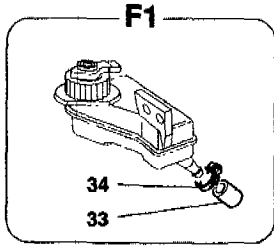
Vale per... Vedi descrizione  
Valid for... See description



Soluzione superata  
Old solution

360 Modena - 38 - DIFFERENTIAL AND AXLE SHAFT

1	190005	1	COMPLETE DIFFERENTIAL
2	184998	2	ROLLER BEARING
3	185014	1	R.H. SHAFT FOR DIFFERENTIAL EXIT -Valid till gearbox Nr. 458 and from gearbox Nr. 1089- -Not as spare part- -Replaced by 199055-
3	185013	1	R.H. SHAFT FOR DIFFERENTIAL EXIT -Valid till gearbox Nr. 458 and from gearbox Nr. 1089-
3	199055	1	R.H. SHAFT FOR DIFFERENTIAL EXIT
4	182322	1	L.H. SHAFT FOR DIFFERENTIAL EXIT -Not as spare part- -Replaced by 199056-
4	199056	1	L.H. SHAFT FOR DIFFERENTIAL EXIT
5	183909	12	SCREW
6	174756	2	AXLE SHAFT -Valid till Ass. Nr. 40311-
6	183552	2	AXLE SHAFT -Valid from Ass. Nr. 40312-
7	181910	12	SCREW
8	149415	6	PLATE
9	184083	2	SHIELD FOR AXLE SHAFT PROTECTION
10	10902124	6	SCREW
11	12601274	6	WASHER
12	12639724	6	WASHER
13	70000867	2	PROTECTION REPLACEMENT SET -Gearbox side-
13	70000868	2	PROTECTION REPLACEMENT SET - Wheel side-
14	172347	4	BIG CLAMP
15	154213	4	LITTLE CLAMP
16	14048115	6	NUT
17	13540924	6	STUD
18	187648	1	R.H. BRACKET -Valid for car without holes for shield 184083- -See ref. 9-
18	187649	1	L.H. BRACKET -Valid for car without holes for shield 184083- -See ref. 9-

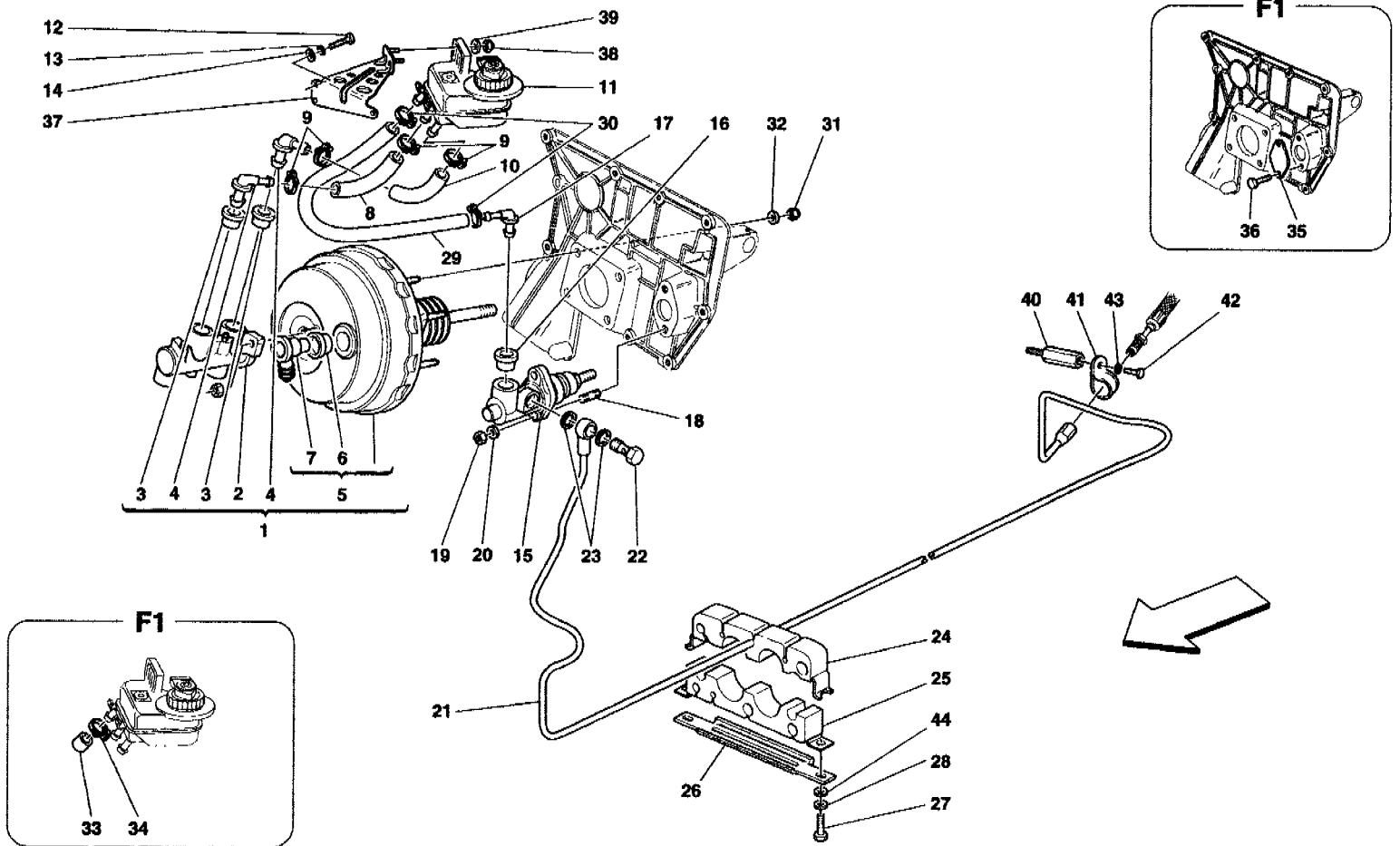


## 360 Modena - 39 - BRAKES AND CLUTCH HYDRAULIC CONTROLS -Not for GD-

1	171872	1	COMPLETE BRAKE BOOSTER
2	171782	1	BRAKE PUMP
3	171784	2	CONNECTION FOR BRAKE PUMP
4	173871	2	UNION -Not as spare part- -Replaced by 183477-
4	183477	2	UNION
5	177090	1	BOOSTER
6	151475	1	CABLE GROMMET
7	144552	1	UNION
8	182244	1	PIPE FROM FRONT UNION TO TANK
9	13000190	4	SCREW COLLAR
10	105857	1	PIPE FROM REAR UNION TO TANK
11	173415	1	COMPLETE BRAKE OIL TANK
12	10902524	2	SCREW
13	12601274	2	WASHER
14	14496424	2	WASHER
15	175187	1	CLUTCH PUMP -Not for F1- -Not as spare part replaced by 180841-
15	180841	1	CLUTCH PUMP -Not for F1-
16	175189	1	SEAL RING -Not for F1-
17	175188	1	UNION -Not for F1- -Not as spare part- -Replaced by 184497-
17	184497	1	UNION -Not for F1-
18	13517024	2	STUD -Not for F1-
19	104030	2	NUT -Not for F1-
20	12601374	2	WASHER -Not for F1-
21	164167	1	PIPE FROM PUMP TO REAR UNION -Not for F1-
22	180042	1	UNION -Not for F1-
23	10298460	2	GASKET -Not for F1-
24	178586	3	UPPER SUPPORT -Valid till Ass. Nr. 35743-
24	183048	3	UPPER SUPPORT -Valid from Ass. Nr. 35744-
25	178587	3	LOWER SUPPORT -Valid till Ass. Nr. 35743-
25	183049	3	LOWER SUPPORT -Valid from Ass. Nr. 35744-
26	178585	3	SMALL PLATE
27	10902424	6	SCREW
28	14499324	6	WASHER
29	182245	1	RUBBER HOSE -Not for F1- -Valid till stock exhaustion-
29	182246	1	RUBBER HOSE -Not for F1-
30	13000190	2	SCREW COLLAR -Not for F1-
31	104030	4	NUT
32	12601374	4	WASHER
33	136379	1	PLUG -Valid for F1-
34	13000190	1	SCREW COLLAR -Valid for F1-

35	174177	1	FLANGE -Valid for F1-
36	16043021	2	SCREW -Valid for F1-
37	178772	1	STUD -Not for F1-
38	10441390	2	BRACKET WITH SHEATH -Not for F1-
39	10902224	1	SCREW -Not for F1-
40	127494	1	WASHER -Not for F1-
41	12644424	6	WASHER

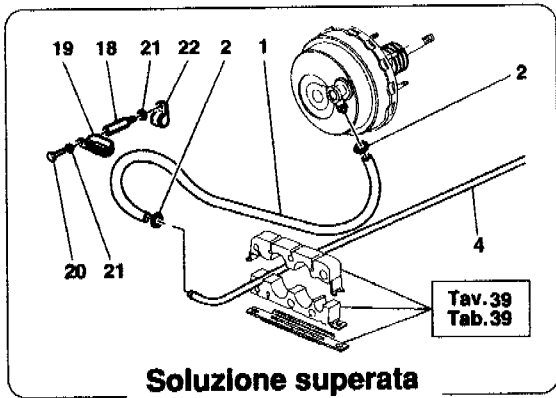




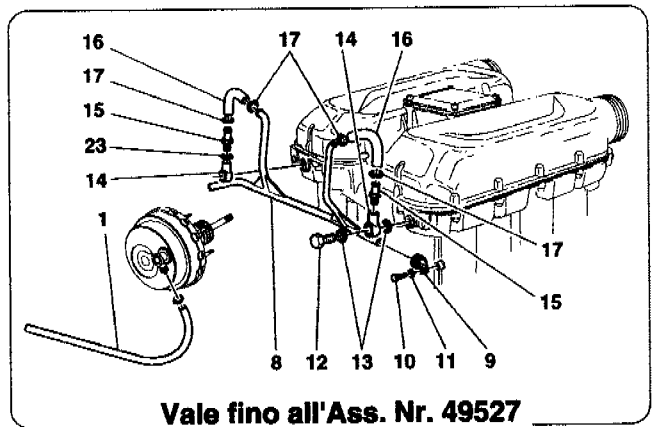
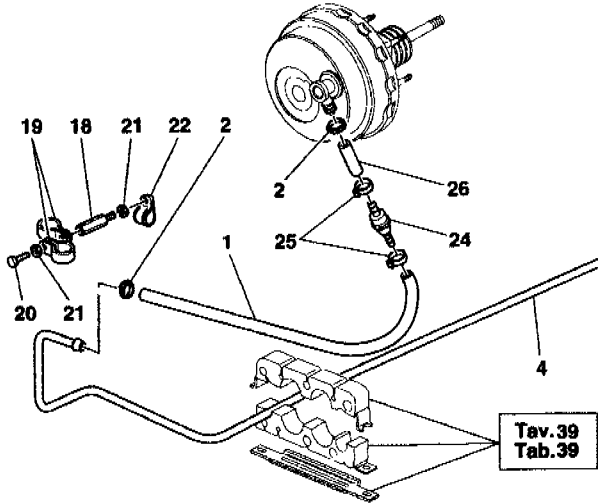
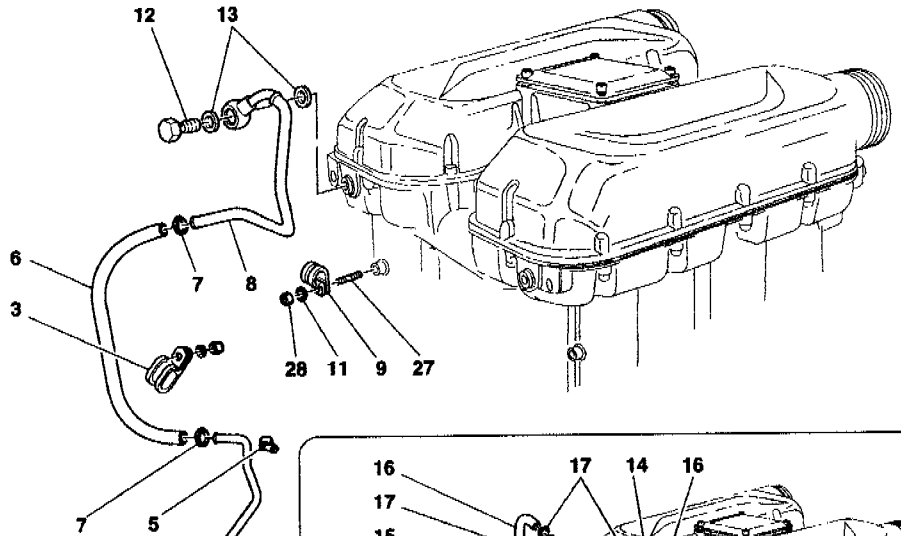
360 Modena - 40 - BRAKES AND CLUTCH HYDRAULIC CONTROLS -Valid for GD-

1	171872	1	COMPLETE BRAKE BOOSTER
2	171782	1	BRAKE PUMP
3	171784	2	CONNECTION FOR BRAKE PUMP
4	173871	2	UNION
5	177090	1	BOOSTER
6	151475	1	CABLE GROMMET
7	144552	1	UNION
8	182246	1	PIPE FROM FRONT UNION TO TANK
9	13000190	4	SCREW COLLAR
10	182247	1	PIPE FROM REAR UNION TO TANK
11	173415	1	COMPLETE BRAKE OIL TANK
12	10902524	2	SCREW
13	12601274	2	WASHER
14	14496424	2	WASHER
15	180841	1	CLUTCH PUMP
16	175189	1	-Not for F1- SEAL RING
17	175188	1	-Not for F1- UNION
17	184497	1	-Not for F1- -Not as spare part- -Replaced by 184497- UNION
18	13517024	2	-Not for F1- STUD
19	104030	2	-Not for F1- NUT
20	12601374	2	-Not for F1- WASHER
21	177152	1	-Not for F1- PIPE FROM PUMP TO REAR UNION
22	180042	1	-Not for F1- UNION
23	10298460	2	-Not for F1- GASKET
24	183048	3	UPPER SUPPORT
25	183049	3	LOWER SUPPORT
26	178585	3	SMALL PLATE
27	10902424	6	SCREW
28	14499324	6	WASHER
29	136376	1	RUBBER HOSE
30	13000190	2	-Not for F1- SCREW COLLAR
31	104030	4	-Not for F1- NUT
32	12601374	4	WASHER
33	136379	1	PLUG
34	13000190	1	-Valid for F1- SCREW COLLAR
35	174177	1	-Valid for F1- FLANGE
36	16043021	2	-Valid for F1- SCREW
37	179101	1	-Valid for F1- BRACKET FOR BRAKE OIL TANK FIXING
38	102741	2	NUT
39	14496424	2	WASHER
40	178772	1	STUD
41	10441390	2	-Not for F1- BRACKET WITH SHEATH
42	10902224	1	-Not for F1- SCREW
43	127494	1	-Not for F1- WASHER





**Soluzione superata  
Old solution**



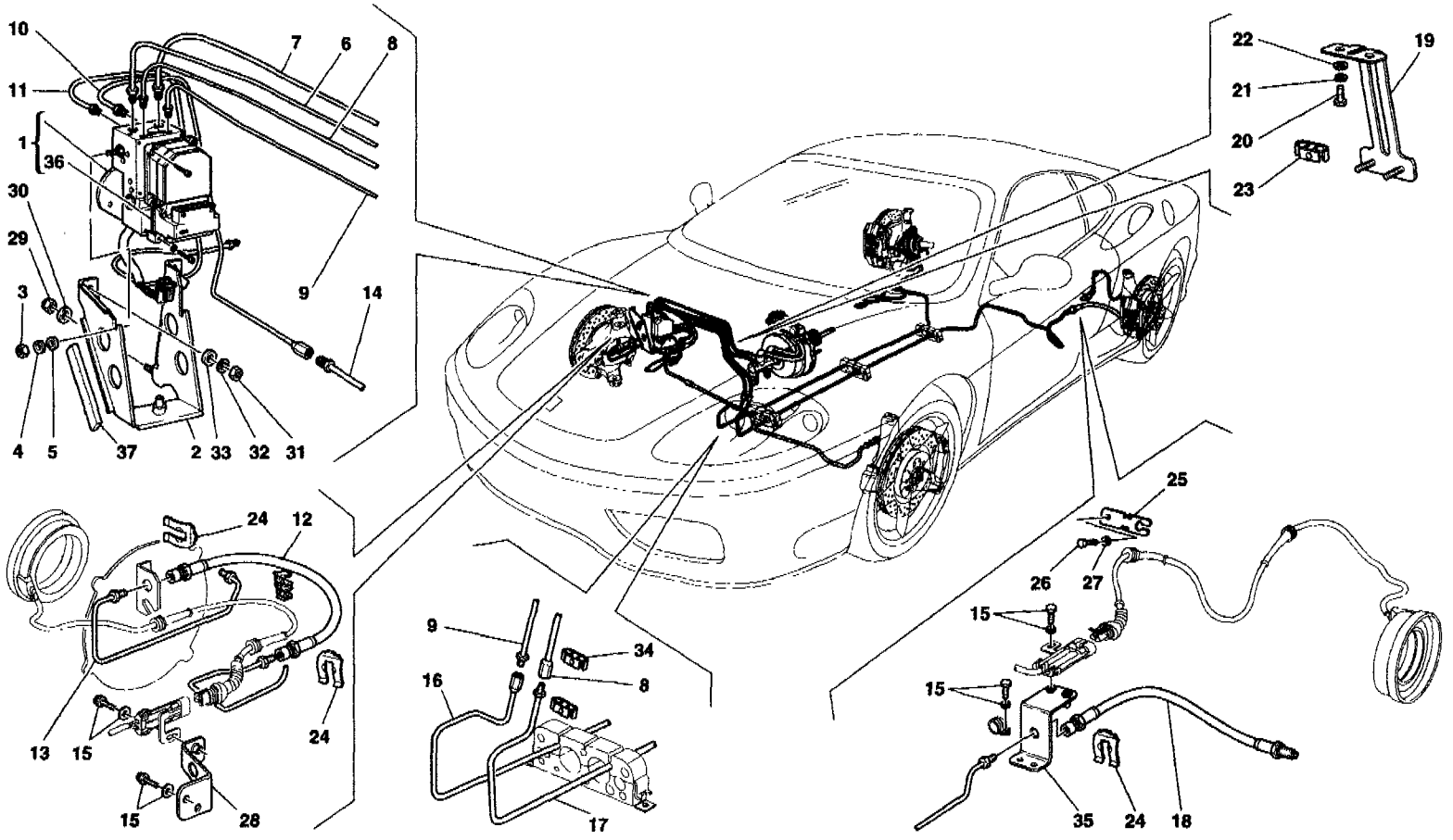
**Vale fino all'Ass. Nr. 49527  
Valid till Ass. Nr. 49527**

360 Modena - 41 - BRAKE BOOSTER SYSTEM

1	176100	1	RUBBER HOSE TO BRAKE BOOSTER -Valid till Ass. Nr. 35770-
1	177947	1	RUBBER HOSE TO BRAKE BOOSTER -Valid from Ass. Nr. 35771 till Ass. Nr.49527-
1	173842	1	RUBBER HOSE TO BRAKE BOOSTER -Valid from Ass. Nr. 49528-
2	13000390	2	SCREW COLLAR
3	61712500	2	BRACKET
4	179322	1	BRAKE BOOSTER UNDERFLOOR TUBE -Valid till Ass. Nr. 35770- -Not for GD-
4	181727	1	BRAKE BOOSTER UNDERFLOOR TUBE -Valid from Ass. Nr. 35771- -Not as spare part- -Replaced by 184979- -Not for GD-
4	184979	1	BRAKE BOOSTER UNDERFLOOR TUBE -Not for GD-
4	179322	1	BRAKE BOOSTER UNDERFLOOR TUBE -Valid for GD-
5	10450190	1	BRACKET WITH SHEATH
6	168386	1	RUBBER HOSE
7	13000390	2	SCREW COLLAR
8	179414	1	PIPE FOR BRAKE BOOSTER FROM MANIFOLDS -Not as spare part replaced by 182776-
8	182776	1	PIPE FOR BRAKE BOOSTER FROM MANIFOLDS -Replaces 179414- -Valid till Ass. Nr. 49527-
8	194378	1	PIPE FOR BRAKE BOOSTER FROM MANIFOLDS -Valid from Ass. Nr. 49528-
9	10441390	2	BRACKET WITH SHEATH -Q.ty 1 from Ass. Nr. 49528-
10	10902024	2	SCREW -Valid till Ass. Nr. 49527-
11	12601279	2	WASHER -Q.ty 1 from Ass. Nr. 49528-
12	152417	2	UNION -Q.ty 1 from Ass. Nr. 49528-
13	10259960	4	GASKET -Q.ty 2 from Ass. Nr. 49528-
14	179419	2	SWINGING UNION -Valid till Ass. Nr. 49527-
15	147978	2	NONRETURN VALVE -Valid till Ass. Nr. 49527-
16	179394	2	RUBBER HOSE -Valid till Ass. Nr. 49527-
17	178052	4	CLAMP -Valid till Ass. Nr. 49527-
18	178772	1	STUD
19	61712500	1	BRACKET WITH SHEATH -Valid till Ass. Nr. 35770-
19	10441390	2	BRACKET WITH SHEATH -Valid from Ass. Nr. 35771-
20	10902224	1	SCREW
21	127494	2	WASHER
22	10441690	1	BRACKET
23	179068	2	GASKET -Valid till Ass. Nr. 49527-
24	193186	1	NONRETURN VALVE -Valid from Ass. Nr. 49528-
25	164015	2	COLLAR FOR SLEEVE -Valid from Ass. Nr. 49528-

26	127213	1	RUBBER HOSE -Valid from Ass. Nr. 49528-
27	11500224	1	STUD -Valid from Ass. Nr. 49528-
28	14048115	1	NUT -Valid from Ass. Nr. 49528-

360 Mydena - 42 - BRAKE SYSTEM -Not for GD-

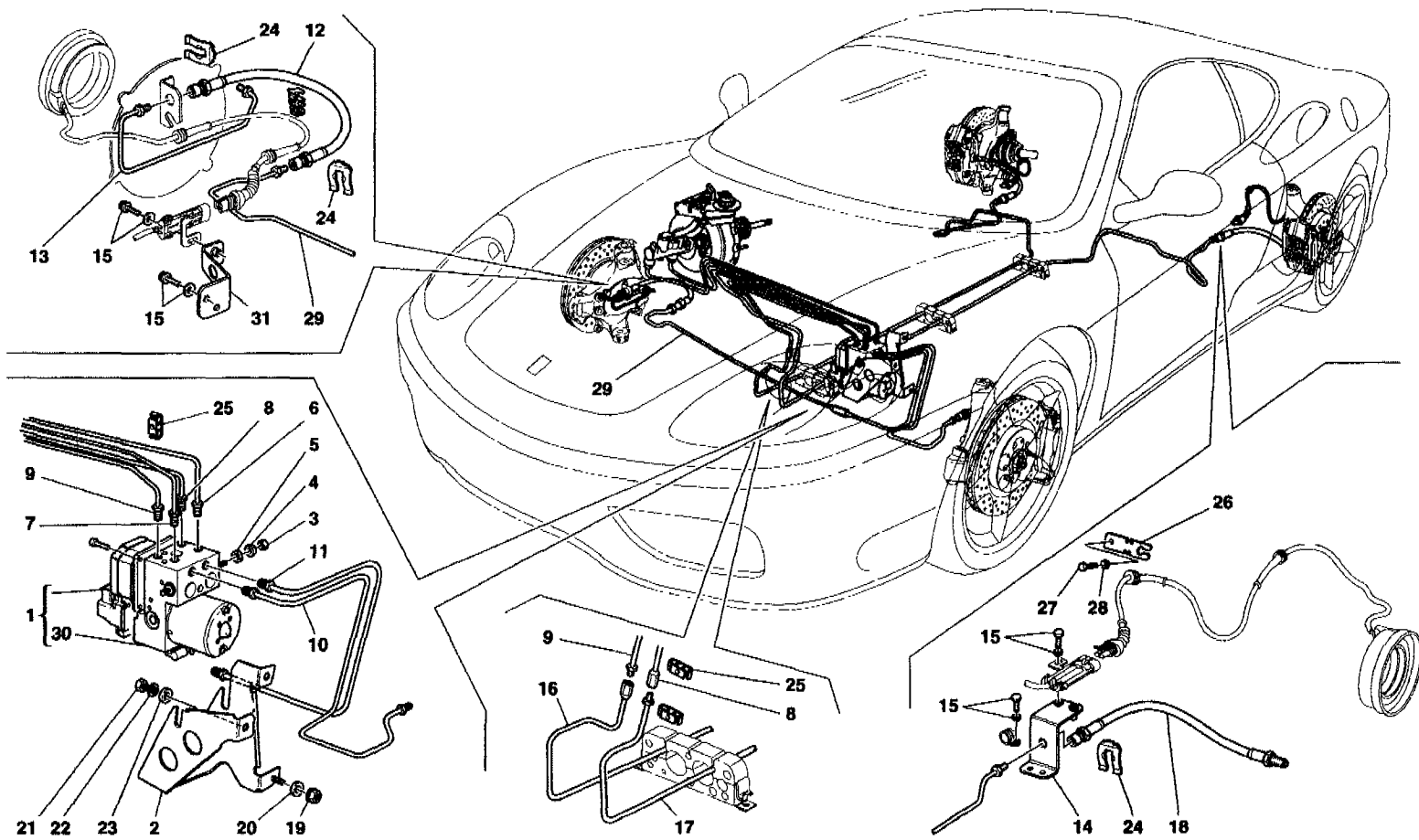


## 360 Modena - 42 - BRAKE SYSTEM -Not for GD-

1	168828	1	ABS/ASR HYDRAULIC/ELECTRONIC CONTROL STATION
2	174700	1	CONTROL STATION SUPPORTING BRACKET
2	179412	1	-Not as spare part replaced by 179412- CONTROL STATION SUPPORTING BRACKET
3	16100814	2	NUT
4	127496	2	WASHER
5	12638524	2	WASHER
6	178427	1	BRAKE PIPE FROM FRONT PUMP TO CONTROL STATION
6	213650	1	-Valid till Ass. Nr. 57492- BRAKE PIPE FROM FRONT PUMP TO CONTROL STATION
7	178426	1	-Valid from Ass. Nr. 57493- BRAKE PIPE FROM REAR PUMP TO CONTROL STATION
7	213649	1	-Valid till Ass. Nr. 57492- BRAKE PIPE FROM REAR PUMP TO CONTROL STATION
8	180364	1	-Valid from Ass. Nr. 57493- PIPE FROM CONTROL STATION TO L.H. INTERMEDIATE PIPE
8	213652	1	-Valid till Ass. Nr. 57492- PIPE FROM CONTROL STATION TO L.H. INTERMEDIATE PIPE
9	180363	1	-Valid from Ass. Nr. 57493- PIPE FROM CONTROL STATION TO R.H. INTERMEDIATE PIPE
9	213651	1	-Valid till Ass. Nr. 57492- PIPE FROM CONTROL STATION TO R.H. INTERMEDIATE PIPE
10	178463	1	-Valid from Ass. Nr. 57493- PIPE FROM CONTROL STATION TO INTERMEDIATE PIPE
10	213653	1	-Valid till Ass. Nr. 57492- PIPE FROM CONTROL STATION TO INTERMEDIATE PIPE
11	164308	1	-Valid from Ass. Nr. 57493- PIPE FROM CONTROL STATION TO R.H. FRONT BRAKE PIPE
11	213654	1	-Valid till Ass. Nr. 57492- PIPE FROM CONTROL STATION TO R.H. FRONT BRAKE PIPE
12	116373	2	-Valid from Ass. Nr. 57493- FRONT HOSE
13	173806	1	PIPE TO R.H. FRONT BRAKE
13	213645	1	-Valid till Ass. Nr. 57492- PIPE TO R.H. FRONT BRAKE
13	173805	1	-Valid from Ass. Nr. 57493- PIPE TO L.H. FRONT BRAKE
13	213647	1	-Valid till Ass. Nr. 57492- PIPE TO L.H. FRONT BRAKE
14	164309	1	-Valid from Ass. Nr. 57493- INTERMEDIATE PIPE
14	213648	1	-Valid till Ass. Nr. 57492- INTERMEDIATE PIPE
15	11625724	8	-Valid from Ass. Nr. 57493- SCREW WITH WASHER
16	180361	1	PIPE TO R.H. REAR HOSE
16	213643	1	-Valid till Ass. Nr. 57492- PIPE TO R.H. REAR HOSE
17	180362	1	-Valid from Ass. Nr. 57493- PIPE TO L.H. REAR HOSE
17	213644	1	-Valid till Ass. Nr. 57492- PIPE TO L.H. REAR HOSE
			-Valid from Ass. Nr. 57493-



18	118100	2	HOSE
19	177945	1	BRAKES PIPES FIXING BRACKET
20	10902424	2	SCREW
21	127494	2	WASHER
22	14488624	2	WASHER
23	169476	2	CLIP
24	116374	8	CLIP
25	179236	2	SUPPORT FOR CABLE -Not as spare part- -Replaced by 178938-
25	178938	2	SUPPORT FOR CABLE
26	10902024	2	SCREW
27	12605374	2	WASHER
28	179237	1	R.H. FRONT SUPPORT -Not as spare part now-
28	179096	1	L.H. FRONT SUPPORT -Not as spare part now-
29	101139	1	NUT
30	12638524	1	WASHER
31	16100814	2	NUT
32	127496	2	WASHER
33	12638524	2	WASHER
34	169476	4	CLIP
35	178939	2	REAR SUPPORT -Valid till stock exhaustion-
35	185283	2	REAR SUPPORT
36	185147	1	ABS/ASR/EBD ELECTRONIC CONTROL STATION
37	197149	1	ANTI-VIBRATIONS

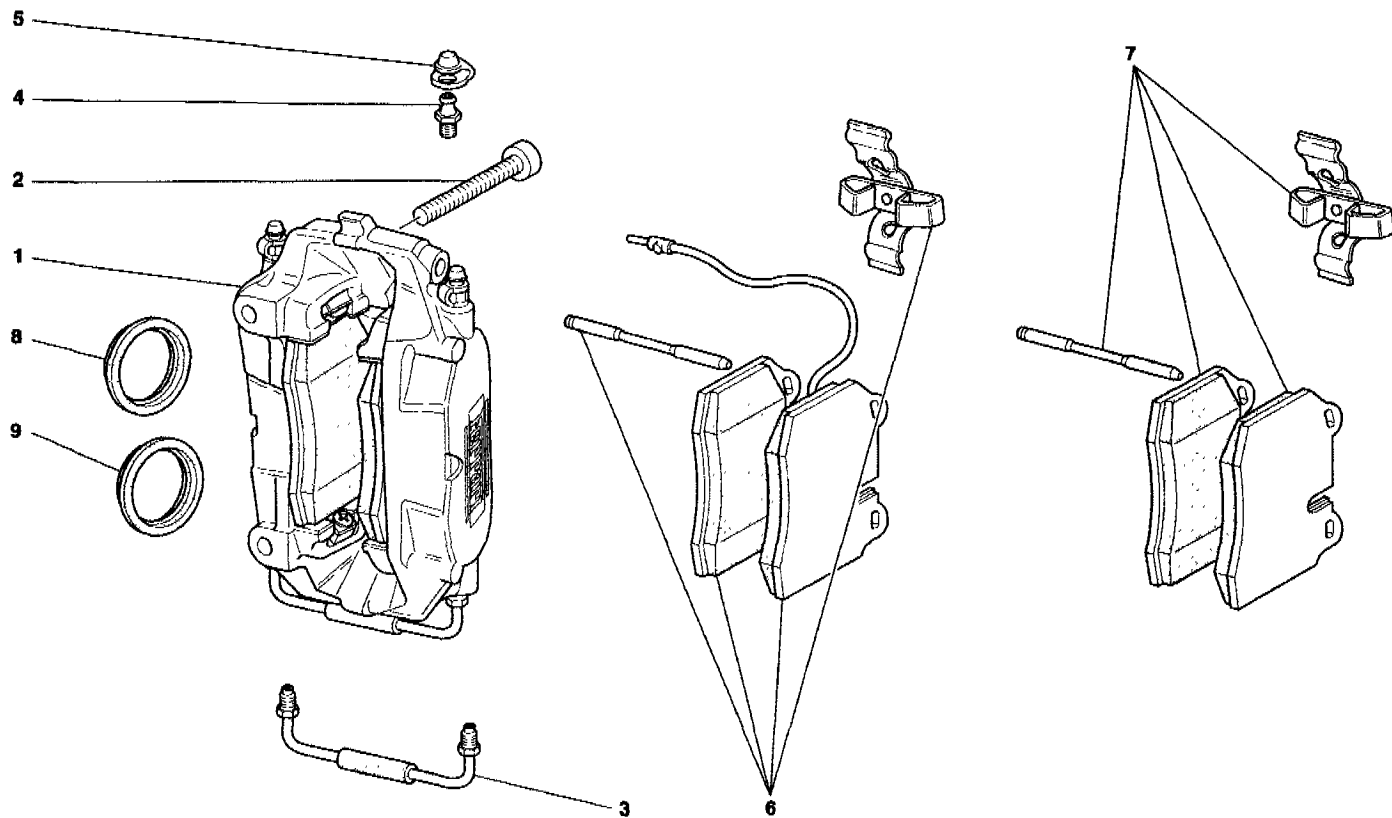


## 360 Modena - 43 - BRAKE SYSTEM -Valid for GD-

1	168828	1	ABS/ASR HYDRAULIC/ELECTRONIC CONTROL STATION
2	177512	1	CONTROL STATION SUPPORTING BRACKET
3	16100814	2	NUT
4	127496	2	WASHER
5	12638524	2	WASHER
6	177156	1	BRAKE PIPE FROM FRONT PUMP TO CONTROL STATION -Valid till Ass. Nr. 57487-
6	213657	1	BRAKE PIPE FROM FRONT PUMP TO CONTROL STATION -Valid from Ass. Nr. 57488-
7	177155	1	BRAKE PIPE FROM REAR PUMP TO CONTROL STATION -Valid till Ass. Nr. 57487-
7	213656	1	BRAKE PIPE FROM REAR PUMP TO CONTROL STATION -Valid from Ass. Nr. 57488-
8	180386	1	PIPE FROM CONTROL STATION TO L.H. INTERMEDIATE PIPE -Valid till Ass. Nr. 57487-
8	213661	1	PIPE FROM CONTROL STATION TO L.H. INTERMEDIATE PIPE -Valid from Ass. Nr. 57488-
9	180385	1	PIPE FROM CONTROL STATION TO R.H. INTERMEDIATE PIPE -Valid till Ass. Nr. 57487-
9	213660	1	PIPE FROM CONTROL STATION TO R.H. INTERMEDIATE PIPE -Valid from Ass. Nr. 57488-
10	177158	1	PIPE FROM CONTROL STATION TO L.H. FRONT BRAKE PIPE -Valid till Ass. Nr. 57487-
10	213659	1	PIPE FROM CONTROL STATION TO L.H. FRONT BRAKE PIPE -Valid from Ass. Nr. 57488-
11	177157	1	PIPE FROM CONTROL STATION TO UNION PIPE -Valid till Ass. Nr. 57487-
11	213658	1	PIPE FROM CONTROL STATION TO UNION PIPE -Valid from Ass. Nr. 57488-
12	116373	2	FRONT HOSE
13	173806	1	PIPE TO R.H. FRONT BRAKE -Valid till Ass. Nr. 57487-
13	213645	1	PIPE TO R.H. FRONT BRAKE -Valid from Ass. Nr. 57488-
13	173805	1	PIPE TO L.H. FRONT BRAKE -Valid till Ass. Nr. 57487-
13	213647	1	PIPE TO L.H. FRONT BRAKE -Valid from Ass. Nr. 57488-
14	178939	2	REAR SUPPORT -Valid till stock exhaustion-
14	185283	2	REAR SUPPORT
15	11625724	8	SCREW WITH WASHER
16	180361	1	PIPE TO R.H. REAR HOSE -Valid till Ass. Nr. 57487-
16	213643	1	PIPE TO R.H. REAR HOSE -Valid from Ass. Nr. 57488-
17	180362	1	PIPE TO L.H. REAR HOSE -Valid till Ass. Nr. 57487-
17	213644	1	PIPE TO L.H. REAR HOSE -Valid from Ass. Nr. 57488-
18	118100	2	REAR HOSE
19	101139	1	NUT
20	12638524	1	WASHER
21	16100814	2	NUT

22	127496	2	WASHER
23	12638524	2	WASHER
24	116374	8	CLIP
25	169476	4	CLIP
26	179236	2	SUPPORT FOR CABLE -Not as spare part- -Replaced by 178938-
26	178938	2	SUPPORT FOR CABLE
27	10902024	2	SCREW
28	12605374	2	WASHER
29	177161	1	UNION PIPE TO R.H. FRONT BRAKE PIPE
30	185147	1	ABS/ASR/EBD ELECTRONIC CONTROL STATION
31	179237	1	R.H. FRONT SUPPORT -Not as spare part now-
31	179096	1	L.H. FRONT SUPPORT -Not as spare part now-

360 Modena - 44 - CALIPERS FOR FRONT AND REAR BRAKES



360 Modena - 44 - CALIPERS FOR FRONT AND REAR BRAKES

1	164223	1	R.H. FRONT CALIPER UNIT WITH PADS
			-Standard color-
1	179597	1	R.H. FRONT CALIPER UNIT WITH PADS
			-Red color-
1	179598	1	R.H. FRONT CALIPER UNIT WITH PADS
			-Gold color-
1	179599	1	R.H. FRONT CALIPER UNIT WITH PADS
			-Silver color-
1	193765	1	R.H. FRONT CALIPER UNIT WITH PADS
			-Modena Yellow color-
1	211904	1	R.H. FRONT CALIPER UNIT WITH PADS
			-Scuderia red color-
1	164216	1	L.H. FRONT CALIPER UNIT WITH PADS
			-Standard color-
1	179594	1	L.H. FRONT CALIPER UNIT WITH PADS
			-Red color-
1	179595	1	L.H. FRONT CALIPER UNIT WITH PADS
			-Gold color-
1	179596	1	L.H. FRONT CALIPER UNIT WITH PADS
			-Silver color-
1	193768	1	L.H. FRONT CALIPER UNIT WITH PADS
			-Modena Yellow color-
1	211905	1	L.H. FRONT CALIPER UNIT WITH PADS
			-Scuderia red color-
1	165861	1	R.H. REAR CALIPER UNIT WITH PADS
			-Standard color-
1	179603	1	R.H. REAR CALIPER UNIT WITH PADS
			-Red color-
1	179604	1	R.H. REAR CALIPER UNIT WITH PADS
			-Gold color-
1	179605	1	R.H. REAR CALIPER UNIT WITH PADS
			-Silver color-
1	193770	1	R.H. REAR CALIPER UNIT WITH PADS
			-Modena Yellow color-
1	210754	1	R.H. REAR CALIPER UNIT WITH PADS
			-Scuderia red color-
1	165862	1	L.H. REAR CALIPER UNIT WITH PADS
			-Standard color-
1	179600	1	L.H. REAR CALIPER UNIT WITH PADS
			-Red color-
1	179601	1	L.H. REAR CALIPER UNIT WITH PADS
			-Gold color-
1	179602	1	L.H. REAR CALIPER UNIT WITH PADS
			-Silver color-
1	193772	1	L.H. REAR CALIPER UNIT WITH PADS

1	210755	1	-Modena Yellow color- L.H. REAR CALIPER UNIT WITH PADS
2	175947	8	-Scuderia red color- SCREW
3	182123	2	CONNECTION PIPE
4	152954	4	UNIONWITH EXHAUST VALVE
5	152955	4	PROTECTION BOOT
6	70000935	1	KIT OF FRONT PADS WITH SPRING
6	70000956	1	FRONT PADS KIT -Valid only for racing use- -Not approve for road use-
7	70000936	1	KIT OF REAR PADS WITH SPRING
7	70000957	1	REAR PADS KIT -Valid only for racing use- -Not approve for road use-
8	182122	4	CAP FOR CYLINDER Ø 42
9	182121	4	CAP FOR CYLINDER Ø 38

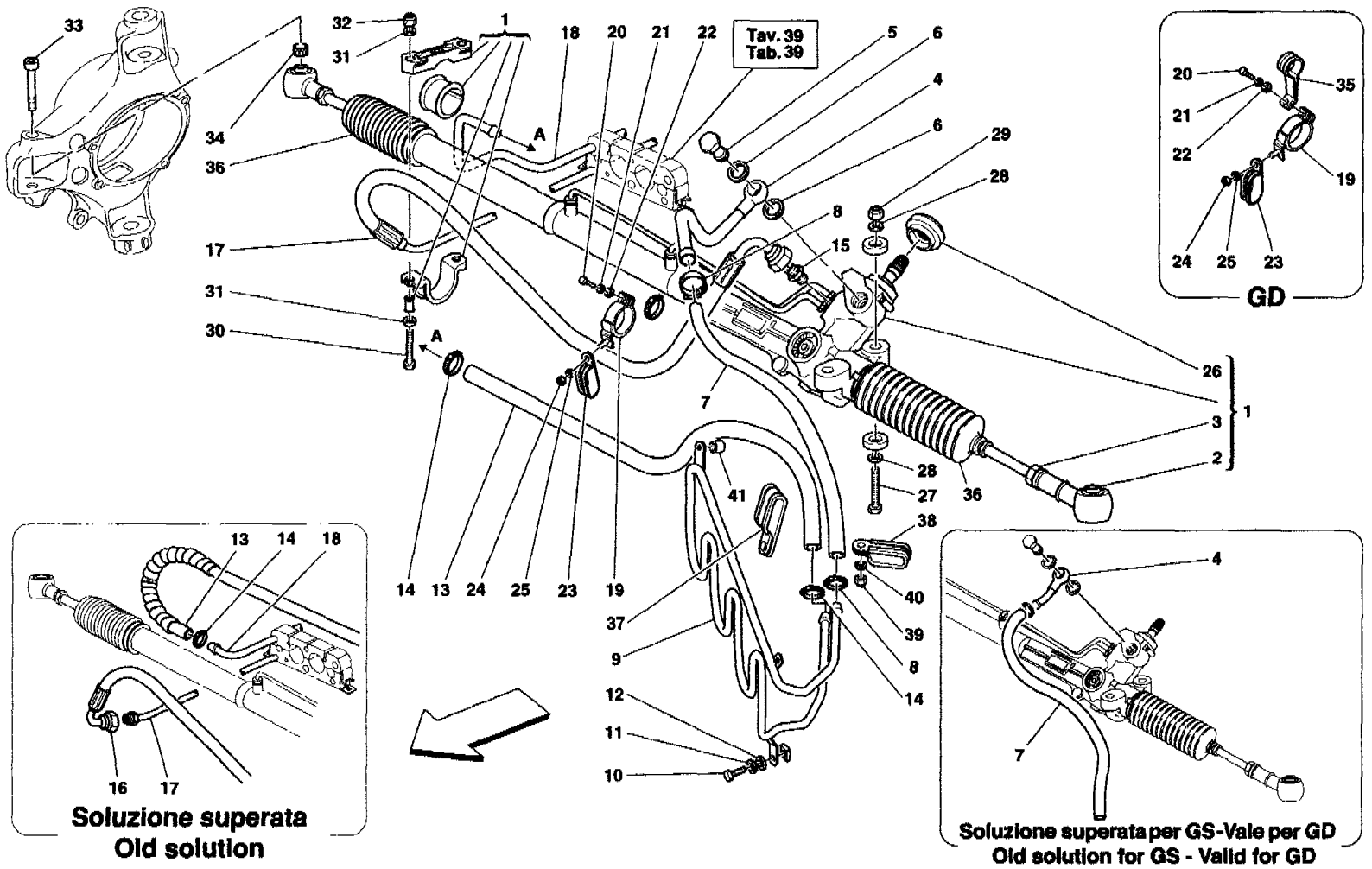




360 Modena - 45 - HAND-BRAKE CONTROL

1	173526	1	HAND BRAKE LEVER
2	659337..	1	LINING
3	173401	1	LEVER FOR SHAFT FIXING
4	176118	1	MICRO-SWITCH
5	145854	3	CLAMP
6	16043224	3	SCREW
7	127496	3	WASHER
8	16043534	3	SCREW
			-Not as spare part-
			-Replaced by 16043434-
8	16043434	3	SCREW
9	127496	3	WASHER
10	14496524	3	WASHER
11	179293	1	R.H. REAR CABLE
12	122091	1	PULLEY FOR CABLE
13	10050814	1	PIVOT
14	10734201	1	SPLIT PIN
			-Not as spare part-
			-Replaced by 10734208-
14	10734208	1	SPLIT PIN
15	14496524	1	WASHER
16	176245	1	BRACKET FOR CABLE FIXING
17	10902024	2	SCREW
18	12605374	2	WASHER
19	10041214	1	PIVOT
20	10734201	1	SPLIT PIN
			-Not as spare part-
			-Replaced by 10734208-
20	10734208	1	SPLIT PIN
21	14496524	1	WASHER
22	176261	1	PULLEY FOR CABLE
23	10091014	1	ADJUSTMENT SLEEVE
24	10725914	1	NUT
25	10727314	1	NUT
26	179292	1	L.H. REAR CABLE
27	10441390	5	BRACKET WITH SHEATH
28	10902224	3	SCREW
29	12605374	3	WASHER
30	12644424	3	WASHER
31	175921	1	R.H. CALIPER FOR HAND BRAKE
31	175922	1	L.H. CALIPER FOR HAND BRAKE
32	14308424	1	SCREW
33	14308924	1	SCREW
34	70000937	1	KIT OF HAND BRAKES PADS WITH SPRING
35	65934100	5	FIXING CLIP

For particular colour matchings, make order by Fax or E-m@il, specifying serial number. - See "INNER TRIMS CAR CODES" table for codes of parts covered in leather or moquette.



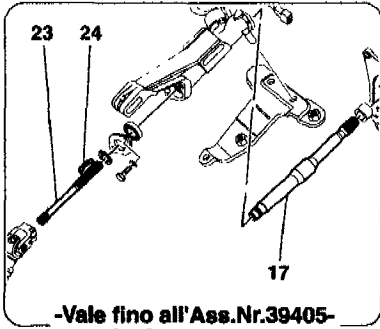
360 Modena - 46 - HYDRAULIC STEERING BOX AND SERPENTINE

1	175263	1	RACK STEERING BOX WITH POWER STEERING -Not as spare part- -Replaced by 184449- -Not for GD-
1	184449	1	RACK STEERING BOX WITH POWER STEERING -Not for GD- -Valid till car Ass.Nr. 50260 and for USA till car Ass. Nr. 50167- -Valid till stock exhaustion-
1	196171	1	RACK STEERING BOX WITH POWER STEERING -Not for GD- -Valid from car Ass.Nr. 50261 and for USA from car Ass. Nr. 50168 and after stock exhaustion of 184449 -
1	176361	1	RACK STEERING BOX WITH POWER STEERING -Not as spare part- -Replaced by 184562- -Valid for GD-
1	184562	1	RACK STEERING BOX WITH POWER STEERING -Valid for GD- -Valid till car Ass.Nr. 50260- -Valid till stock exhaustion-
1	196172	1	RACK STEERING BOX WITH POWER STEERING -Valid for GD- -Valid from car Ass.Nr. 50261 and after stock exhaustion of 184562 -
2	178930	2	BALL TIE ROD -Valid till car Ass.Nr. 50260 and for USA till car Ass. Nr. 50167- -Valid till stock exhaustion-
2	181882	2	BALL TIE ROD -Valid from car Ass.Nr. 50261 and for USA from car Ass. Nr. 50168 and after stock exhaustion of 178930 -
3	10790424	2	NUT -Valid for ball tie rod 178930 ref. 2-
3	10791324	2	NUT -Valid for ball tie rod 181882 ref. 2-
4	177943	1	SWINGING UNION -Not as spare part for GS- -Replaced by 186719- -Valid for GD-
4	186719	1	SWINGING UNION -Not for GD-
5	10185111	1	UNION
6	10280060	2	GASKET
7	179256	1	RUBBER HOSE -Not for GD- -Not as spare part- -Replaced by 187696-
7	187696	1	RUBBER HOSE -Not for GD-
7	177978	1	RUBBER HOSE -Valid for GD- -Not as spare part- -Replaced by 169890-
7	169890	1	RUBBER HOSE -Valid for GD-
8	13000390	2	SCREW COLLAR -Not as spare part- -Replaced by 161490-
8	161490	2	SCREW COLLAR

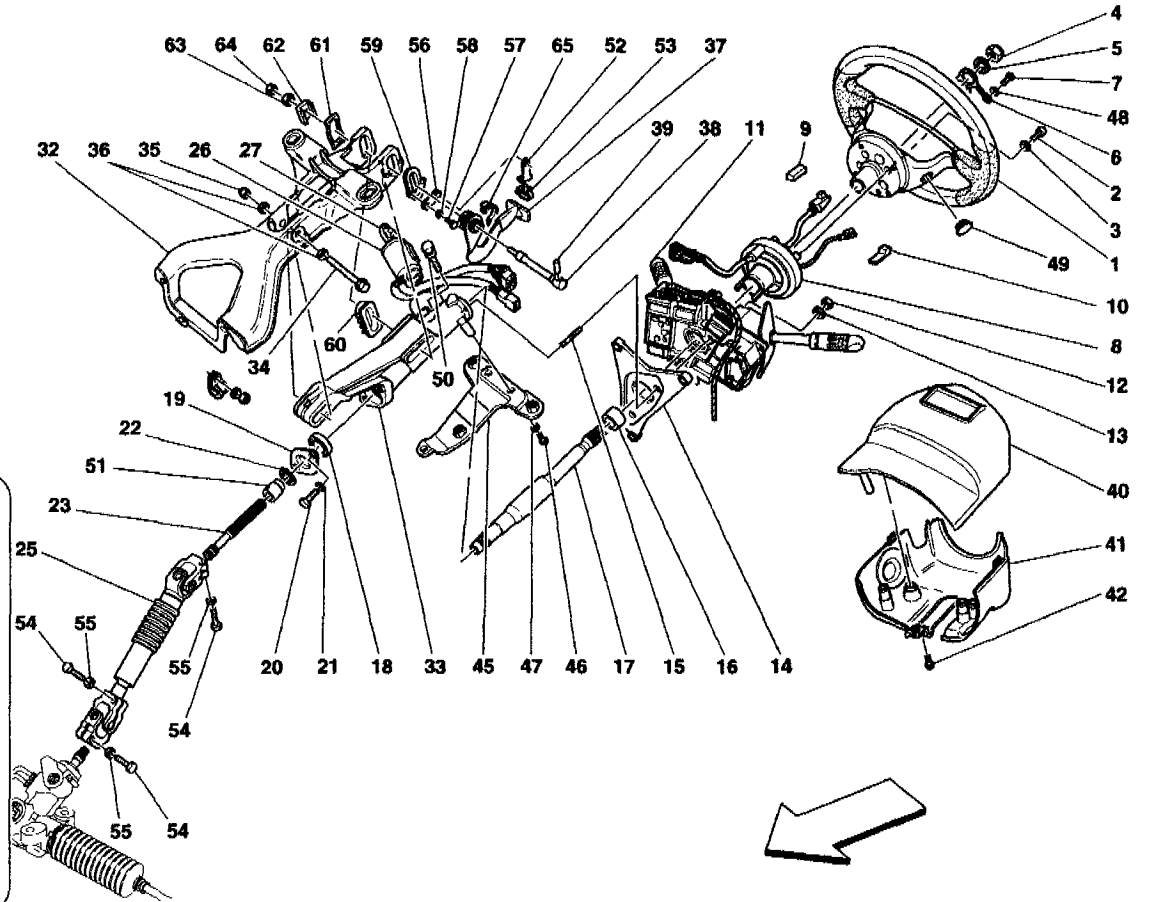
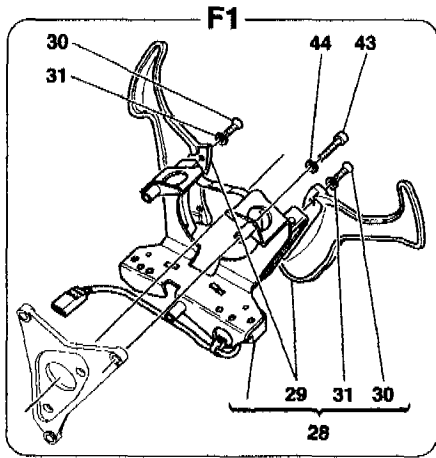
9	179106	1	REFRIGERATING COIL
10	10902124	3	SCREW
11	12601274	4	WASHER
12	14496424	4	WASHER
13	179257	1	RUBBER HOSE -Valid till Ass. Nr. 35770- -Not for GD-
13	181920	1	RUBBER HOSE -Valid from Ass. Nr. 35771- -Also valid for GD-
14	13000390	2	SCREW COLLAR
15	177237	1	THREADED UNION -Valid till stock exhaustion-
15	201706	1	THREADED UNION
16	164231	1	DELIVERY TUBE -Not as spare part replaced by 180831- -Not for GD-
16	180831	1	DELIVERY TUBE -Valid till Ass. Nr. 33655- -Not for GD-
16	177700	1	DELIVERY TUBE -Valid till Ass. Nr. 34014- -valid for GD-
17	179323	1	DELIVERY PIPE UNDER THE FLOOR -Valid till Ass. Nr. 33655 for GS and till Ass. Nr. 34014 for GD-
17	185514	1	COMPLETE DELIVERY PIPE UNDER THE FLOOR -Valid from Ass. Nr. 33656- -Till Ass. Nr.53102- -Not for GD-
17	204084	1	L.H. DELIVERY PIPE FROM UNION TO STEERING BOX -Valid from Ass. Nr. 53103- -Not for GD-
17	185515	1	COMPLETE DELIVERY PIPE UNDER THE FLOOR -Valid from Ass. Nr. 34015- -Till Ass. Nr.53102- -Valid for GD-
17	209769	1	R.H. DELIVERY PIPE FROM UNION TO STEERING BOX -Valid from Ass. Nr. 53103- -Valid for GD-
18	179333	1	RETURN PIPE UNDER THE FLOOR -Valid till Ass. Nr. 35770-
18	181728	1	RETURN PIPE UNDER THE FLOOR -Valid from Ass. Nr.35771- -Not as spare part- -Replaced by 184980-
18	184980	1	RETURN PIPE UNDER THE FLOOR
19	177631	2	PIPES FIXING BRACKET
20	10902424	2	SCREW
21	127494	2	WASHER
22	12639724	2	WASHER
23	10441690	2	BRACKET WITH SHEATH
24	102948	2	NUT
25	12639724	2	WASHER
26	171519	1	COMPLETE RING
27	16237174	2	SCREW
28	14496624	4	WASHER
29	102742	2	NUT
30	16237074	2	SCREW
31	14496624	4	WASHER
32	102742	2	NUT
33	179556	2	SCREW
34	179555	2	COMPENSATOR RING
35	65996800	2	BRACKET WITH SHEATH

-Valid for GD-

36	70000948	1	BELLOWS REPLACEMENT KIT
37	66076900	1	BRACKET WITH SHEATH
38	139512	1	BRACKET WITH SHEATH
39	102741	1	NUT
40	12644424	1	WASHER
41	166730	1	SPACER



-Vale fino all'Ass.Nr.39405-  
-Valid till Ass.Nr.39405-



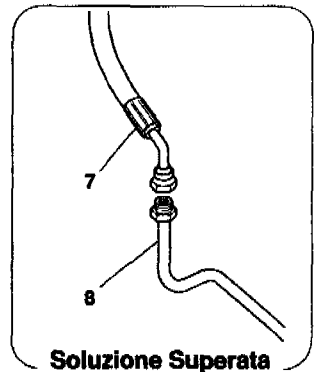
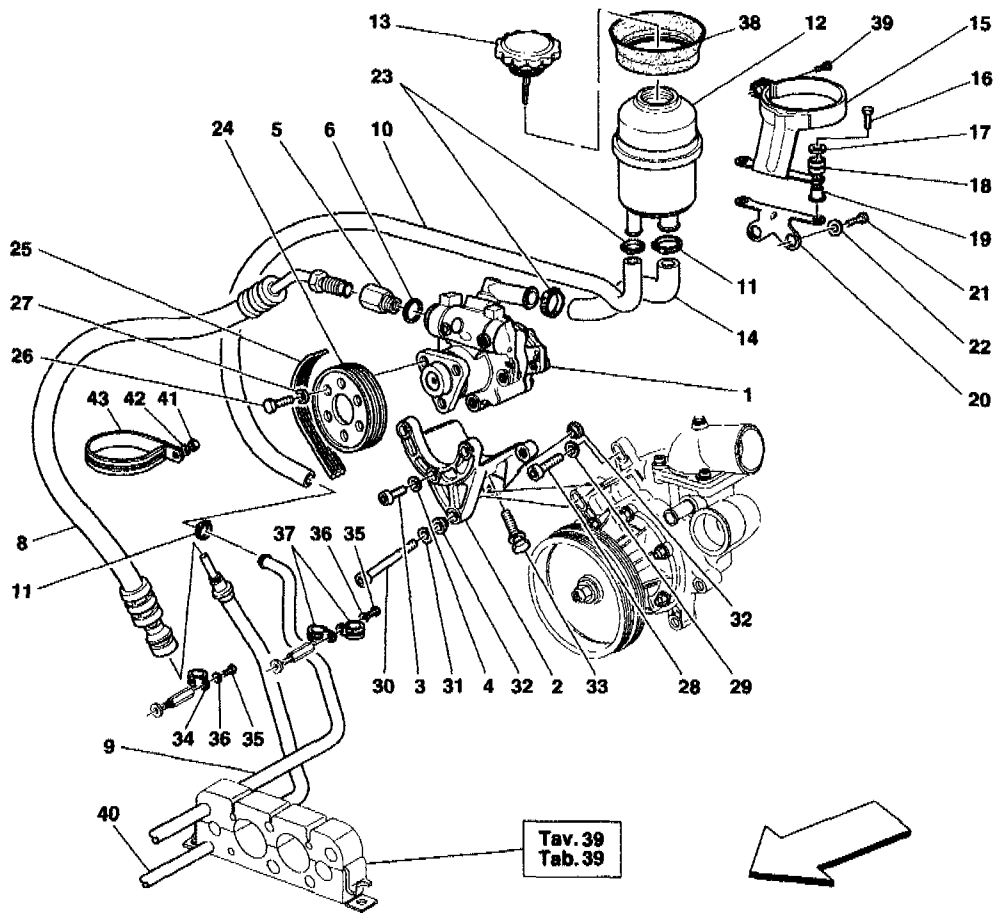
## 360 Modena - 47 - STEERING COLUMN

1	662039..	1	COMPLETE AIR-BAG STEERING WHEEL -Without air bag module-
2	13271914	3	SCREW
3	10615274	3	WASHER
4	101648	1	NUT
5	10730921	1	WASHER
6	157639	1	SPRING
7	11021111	2	SCREW
8	169471	1	SPIRAL CONTACT
9	163816	1	RESISTOR FOR SPIRAL CONTACT
10	135355	1	CONNECTOR
11	178993	1	UNHOOK DEVIATION ASSEMBLY -For normal head light-
11	177585	1	UNHOOK DEVIATION ASSEMBLY -For gas lamps head light-
12	15896470	2	NUT
13	12601174	2	WASHER
14	176360	1	BRACKET
15	11001424	2	STUD
16	171539	1	ROLLER BEARING
17	171526	1	COLUMN UPPER SHAFT -Valid till Ass. Nr. 39405-
17	183994	1	COLUMN UPPER SHAFT -Valid from Ass. Nr. 39406-
18	171540	1	BALL BEARING
19	177645	1	PLATE
20	10902224	2	SCREW
21	11181874	2	WASHER
22	11067376	1	SEEGER RING
23	171507	1	COLUMN LOWER SHAFT -Valid till Ass. Nr. 39405-
23	183993	1	COLUMN LOWER SHAFT -Valid from Ass. Nr. 39406-
24	171520	1	SPRING -Valid till Ass. Nr. 39405-
25	171528	1	STEERING CARDANIC TRASMISSION
26	179567	1	LOCKS SET COMPLETED WITH STEERING LOCK AND KEY
27	181941	-	BLANK KEY -Valid till Ass. Nr. 42146-
27	185451	-	BLANK KEY -Valid from Ass. Nr. 42147-
28	176335	1	F1 GEARBOX CONTROL LEVERS ASSEMBLY -Valid for F1-
29	182154	1	COUPLE LEVERS -Valid for F1-
30	13308977	4	SCREW -Valid for F1-
31	12606673	4	WASHER -Valid for F1-
32	171505	1	STEERING COLUMN SUPPORT BRACKET -Not for GD-
32	171546	1	STEERING COLUMN SUPPORT BRACKET -Valid for GD-
33	171516	1	COLUMN SUPPORT
34	180632	1	SCREW
35	104030	1	NUT
36	12625224	2	WASHER
37	659933..	1	COVERED LEVER
38	171503	1	PIN FOR LEVER
39	10336630	1	PIN
40	65164000	1	UPPER COVER -Not for F1-
40	65583200	1	UPPER COVER

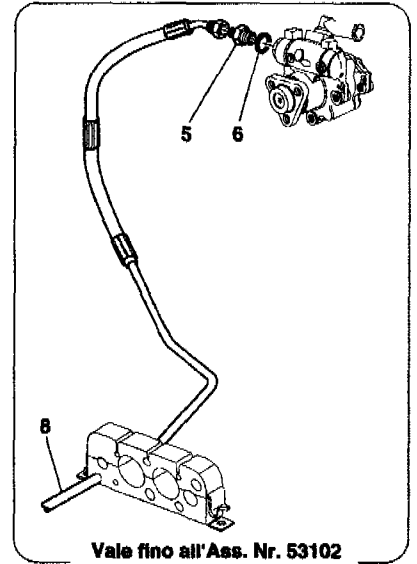
41	64014900	1	-Valid for F1- LOWER COVER
41	65310600	1	-Not for F1- LOWER COVER
42	15960507	2	-Valid for F1- SCREW
43	13274611	3	SCREW
44	12601174	3	-Valid for F1- WASHER
45	65164200	1	-Valid for F1- BRACKET
46	13274277	3	SCREW
47	12637878	3	WASHER
48	10615274	2	WASHER
49	185486	2	PLUG
50	172563	1	ANTITHEFT FIXING SCREW
51	183995	1	RING NUT
52	177977	1	-Valid from Ass. Nr. 39406- SMALL PLATE
53	178430	1	FIXING CLIP
54	192229	3	HEXAGONAL SCREW
55	129230	3	WASHER
56	171523	1	PLATE
57	10977724	2	SCREW
58	11181574	2	WASHER
59	171544	1	LEVER SIDE GUIDE SHOE
60	171501	1	FIXED TENSION SLIDE
61	171502	1	SPRING FOR GUIDE SHOE
62	171529	1	MOBILE GUIDE SHOE
63	171542	1	NUT
64	147985	1	NUT
65	171531	1	PIN RETAINING SPRING

For particular colour matchings, make order by Fax or E-m@il, specifying serial number. - See "INNER TRIMS CAR CODES" table for codes of parts covered in leather or moquette.





**Soluzione Superata  
Old Solution**



**Vale fino all'Ass. Nr. 53102  
Valid till Ass. Nr. 53102**

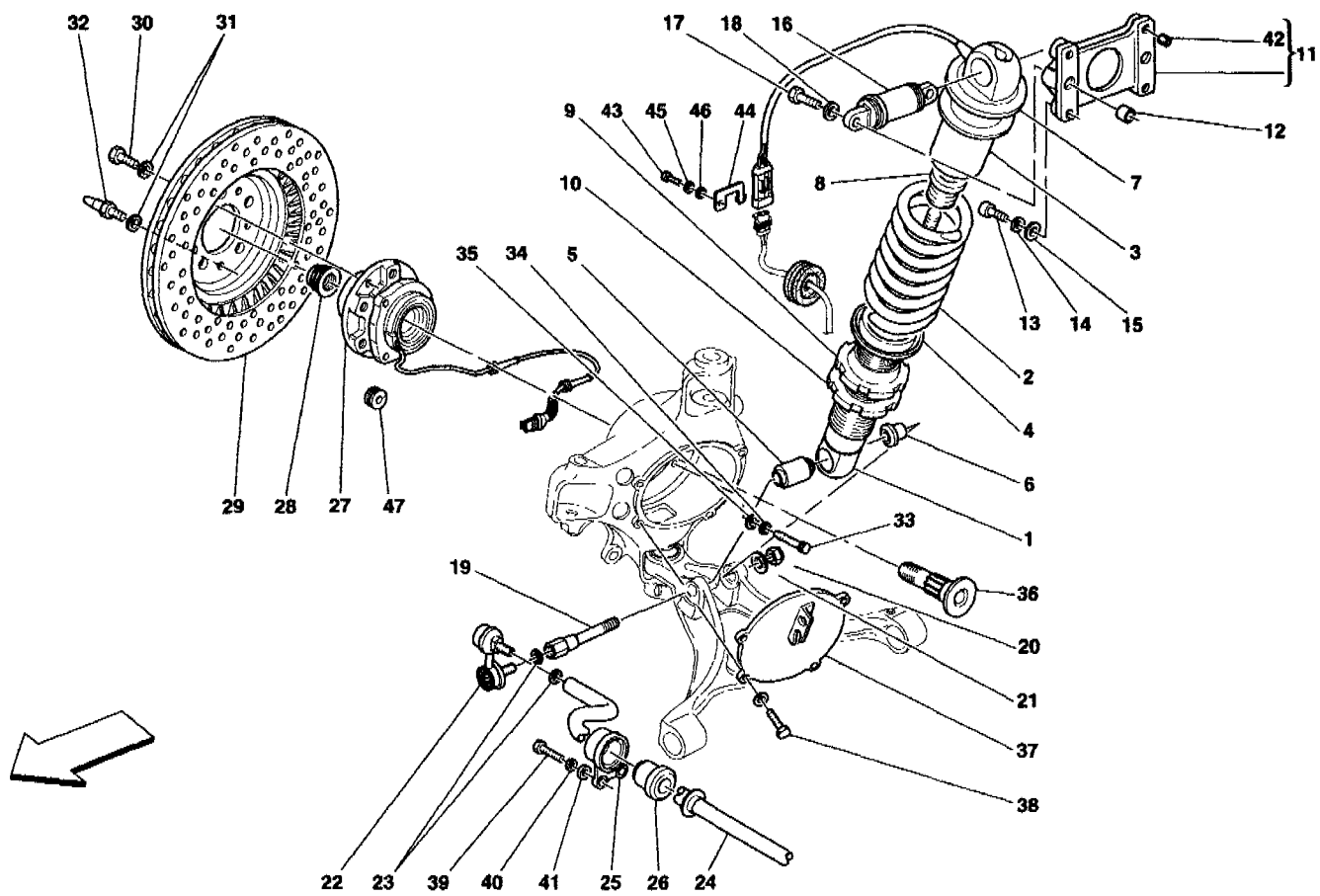


360 Modena - 48 - HYDRAULIC STEERING PUMP AND TANK

1	173997	1	HYDRAULIC SERVO-CONTROL PUMP
2	176162	1	PUMP SUPPORT
3	14306624	3	SCREW
4	11198074	3	WASHER
5	174091	1	UNION
5	204080	1	-Valid till Ass. Nr.53102- UNION
6	10261460	1	-Valid from Ass. Nr. 53103- GASKET
7	169758	1	DELIVERY PIPE FROM PUMP TO UNDER FLOOR PIPE
8	179323	1	-Valid till Ass. Nr. 33655 for GS and till Ass. Nr. 34014 for GD- DELIVERY PIPE UNDER THE FLOOR
8	185514	1	-Valid till Ass. Nr. 33655 for GS and till Ass. Nr. 34014 for GD- COMPLETE DELIVERY PIPE UNDER THE FLOOR
8	204081	1	-Valid from Ass. Nr. 33656 till Ass. Nr.53102- -Not for GD- DELIVERY PIPE FROM PUMP TO UNION
8	185515	1	-Valid from Ass. Nr. 53103- -Not for GD- COMPLETE DELIVERY PIPE UNDER THE FLOOR
8	209768	1	-Valid from Ass. Nr. 34015 till Ass. Nr.53102- -Valid for GD- DELIVERY PIPE FROM PUMP TO UNION
9	179333	1	-Valid from Ass. Nr. 53103- -Valid for GD- RETURN PIPE UNDER THE FLOOR
9	181728	1	-Valid till Ass. Nr. 35770- RETURN PIPE UNDER THE FLOOR
9	184980	1	-Valid from Ass. Nr.35771- -Not as spare part- -Replaced by 184980- RETURN PIPE UNDER THE FLOOR
10	179334	1	RETURN RUBBER HOSE TO TANK
11	13000390	2	SCREW COLLAR
12	167002	1	OIL TANK FOR SERVOSTEERING
13	185353	1	OIL TANK COVER
14	179420	1	PIPE FROM TANK TO PUMP
15	179287	1	UPPER BRACKET
16	10902524	2	SCREW
17	12643724	2	WASHER
18	103549	2	CABLE GROMMET
19	149707	2	SPACER
20	179219	1	LOWER BRACKET
21	10902224	2	SCREW
22	12643724	2	WASHER
23	177996	2	CLAMP
24	170926	1	PULLEY
25	177208	1	POWER STEERING CONTROL BELT
25	194223	1	-Not as spare part- -Replaced by 194223- POWER STEERING CONTROL BELT

25	201454	1	-Valid till stock exhaustion- POWER STEERING CONTROL BELT
26	16043124	3	-Valid after stock exhaustion of 194223- SCREW
27	11193874	3	WASHER
28	14306724	4	SCREW
29	12601374	4	WASHER
30	14307124	1	SCREW
31	11193874	1	WASHER
32	173447	2	BUSHING
33	174028	1	ADJUSTMENT PIN
34	10441990	1	BRACKET WITH SHEATH
35	10902124	2	SCREW
36	14488624	2	WASHER
37	10441390	2	BRACKET WITH SHEATH
38	179301	1	TANK RING
39	64830600	1	SCREW
40	204084	1	L.H. DELIVERY PIPE FROM UNION TO STEERING BOX
			-Valid from Ass. Nr. 53103- -Not for GD-
40	209769	1	R.H. DELIVERY PIPE FROM UNION TO STEERING BOX
			-Valid from Ass. Nr. 53103- -Valid for GD-
41	102741	1	NUT
42	14499324	1	WASHER
43	124034	1	BRACKET WITH SHEATH

360 Modena - 49 - FRONT SUSPENSION - SHOCK ABSORBER AND BRAKE DISC

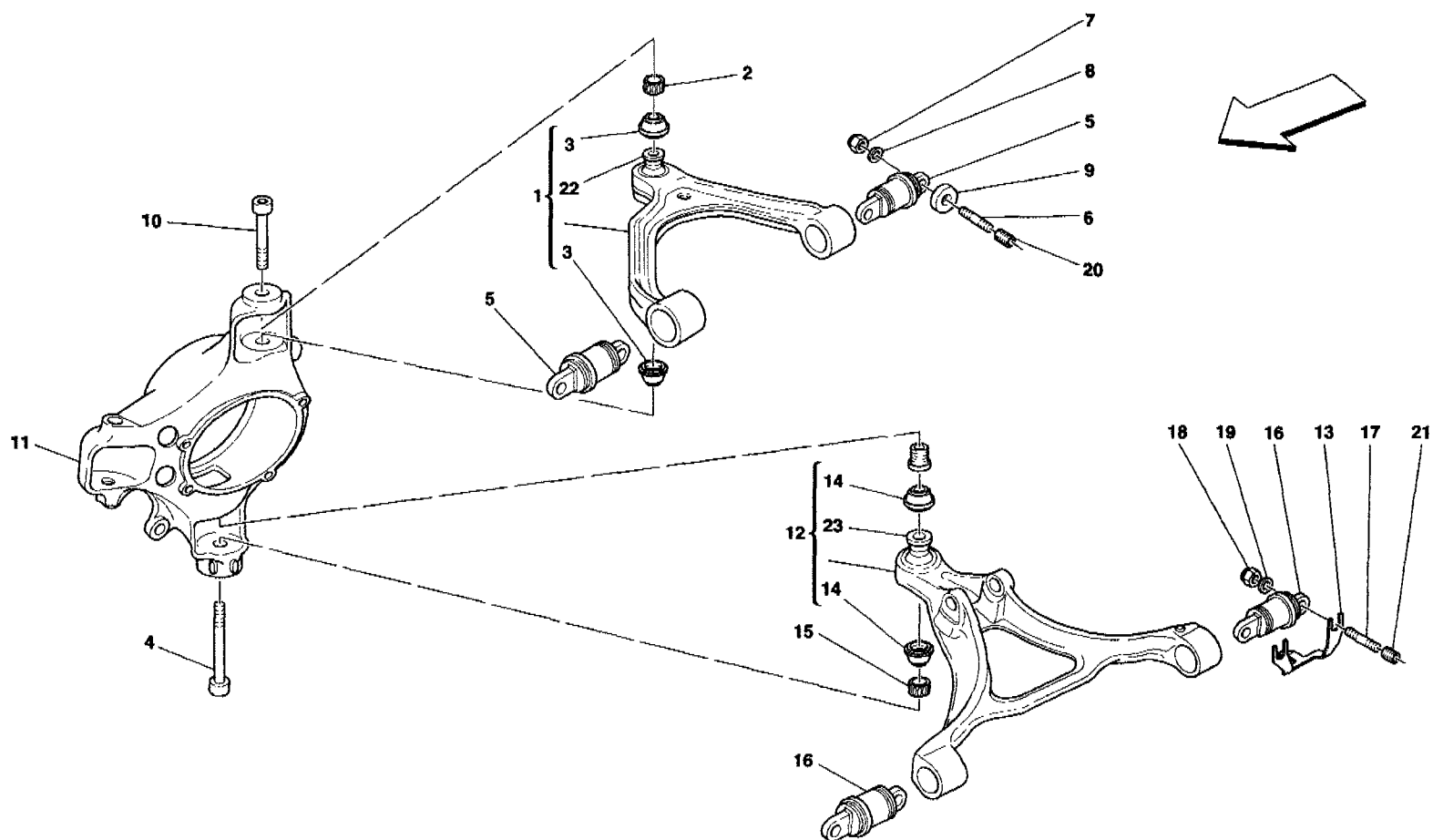


360 Modena - 49 - FRONT SUSPENSION - SHOCK ABSORBER AND BRAKE DISC

1	174722	2	FRONT SHOCK ABSORBER
2	179680	2	SPRING -Replace together- -Not as spare part- -Replaced by 182404-
2	182404	2	SPRING -Replace together- -Not as spare part- -Replaced by 190676-
2	190676	2	SPRING
3	177688	2	UPPER SPACER
4	169684	2	LOWER SPACER
5	157630	2	BALL JOINT
6	177661	2	SPACER -Valid till Ass. Nr. 47927-
6	193492	2	SPACER -Valid from Ass. Nr. 47928-
7	174727	2	SPRING RETAINING UPPER SPACER
8	174728	2	SHOCK ABSORBER PAD
9	174725	2	SPACER
10	174726	2	RING NUT
11	174729	2	SHOCK ABSORBER CONNECTION SUPPORT -Valid till car Nr. 120068 for GS and 120193 for GD-
12	100013	4	CENTERING DOWEL -Valid till car Nr. 120068 for GS and 120193 for GD-
13	14306774	8	SCREW -Valid till car Nr. 120068 for GS and 120193 for GD-
14	127496	8	WASHER -Valid till car Nr. 120068 for GS and 120193 for GD-
15	14496524	8	WASHER -Valid till car Nr. 120068 for GS and 120193 for GD-
16	181804	2	SILENTBLOCK -Valid till Ass. Nr. 56991- -Valid till stock exhaustion-
16	212948	2	SILENTBLOCK -Replace together- -Valid from Ass. Nr. 56992 and after stock exhaustion use 181804- -Replace together-
17	11306934	4	SCREW
18	160092	4	WASHER
19	177660	2	SCREW -Valid till Ass. Nr. 47927-
19	193491	2	SCREW -Valid from Ass. Nr. 47928- -Valid till stock exhaustion-
19	204977	2	SCREW -Valid from Ass. Nr. 47928-
20	102825	2	NUT -Valid till stock exhaustion-
20	14058721	2	NUT
21	12646921	2	WASHER -Valid till stock exhaustion-
21	155002	2	WASHER
22	162620	1	R.H. BALL TIE ROD
22	162619	1	L.H. BALL TIE ROD
23	160092	4	WASHER
24	170715	1	FRONT ANTI-ROLL BAR
25	170714	2	ANTI-ROLL BAR SUPPORT
26	170588	2	BAR BUFFER
27	179070	2	HUB COMPLETE BEARING

28	167259	2	NUT -Not as spare part- -Replaced by 209184-
28	209184	2	NUT
29	177718	2	FRONT BRAKE DISC -Valid till stock exhaustion-
29	182606	2	FRONT BRAKE DISC -Valid after stock exhaustion of 177718-
30	16043424	2	SCREW
31	127496	4	WASHER
32	104370	2	BRAKE DISC FIXING SCREW
33	180591	8	SCREW
34	160092	8	WASHER
35	10732414	8	WASHER
36	173826	2	BEARING FIXING PIN -Not as spare part replaced by 180542-
36	180542	2	BEARING FIXING PIN
37	165871	1	R.H. STEERING KNUCKLE COVER
37	165872	1	L.H. STEERING KNUCKLE COVER
38	11625724	8	SCREW
39	16043424	4	SCREW
40	178341	4	WASHER
41	12638524	4	WASHER
42	13526170	4	THREADED INSERT -Valid till car Nr. 120068 for GS and 120193 for GD-
43	10902024	2	SCREW
44	162606	2	CLIP
45	127494	2	WASHER
46	12643724	2	WASHER
47	10460287	2	RUBBER RING

360 Modèna - 50 - FRONT SUSPENSION - WISHBONES



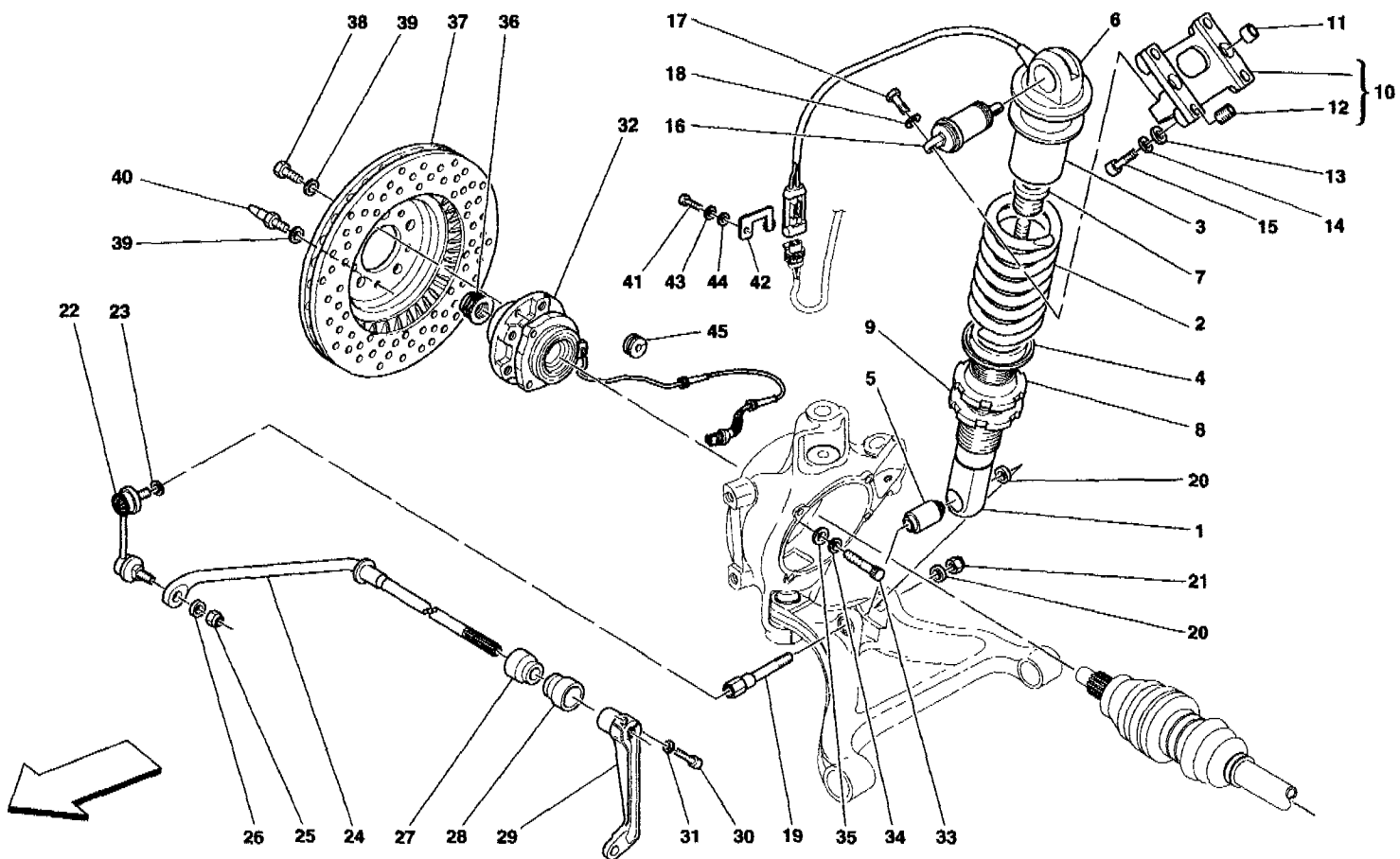
360 Modena - 50 - FRONT SUSPENSION - WISHBONES

1	185077	2	UPPER LEVER -Not as spare part- -Replaced by 193456-
1	193456	2	UPPER LEVER -Not as spare part- -Replaced by 200945-
1	200945	2	UPPER LEVER
2	179555	2	UPPER LEVER COMPENSATOR RING
3	171848	4	BOOT
4	178941	2	SCREW -Not as spare part replaced by 181598-
4	181598	2	SCREW -Replaces 178941-
5	184610	4	FLAMBLOC
6	170155	8	THREADED BAR
7	104030	8	NUT
8	14496524	8	WASHER
9	12628905	8	WASHER -Valid till stock exhaustion-
9	12628904	8	WASHER -Valid after stock exhaustion of 12628905-
10	179556	2	SCREW
11	185399	1	R.H. FRONT STEERING KNUCKLE
11	185400	1	L.H. FRONT STEERING KNUCKLE
12	185078	2	LOWER LEVER -Valid till Ass. Nr. 47927- -Not as spare part- -Replaced by 200939-
12	200939	2	LOWER LEVER -Valid till Ass. Nr. 47927-
12	199633	2	LOWER LEVER -Valid from Ass. Nr. 47928- -Not as spare part- -Replaced by 200940-
12	200940	2	LOWER LEVER -Valid from Ass. Nr. 47928-
13	178851	4	ADJUSTING PLATE -Th. mm. 1- -Possible fitting-
13	186943	4	ADJUSTING PLATE -Th. mm. 1,5- -Possible fitting-
13	178852	4	ADJUSTING PLATE -Th. mm. 2- -Possible fitting-
13	186944	4	ADJUSTING PLATE -Th. mm. 2,5- -Possible fitting-
13	178853	4	ADJUSTING PLATE -Th. mm. 3- -Possible fitting-
13	178940	4	ADJUSTING PLATE -Th. mm. 4- -Possible fitting-
14	171847	4	BOOT
15	179554	2	LOWER LEVER COMPENSATOR RING
16	184609	4	FLAMBLOC
17	170154	8	THREADED BAR
18	104114	8	NUT
19	14496624	8	WASHER
20	13582210	8	THREADED INSERT
21	13582310	8	THREADED INSERT
22	203633	2	BALL JOINT -Valid for upper lever 200945 ref. 1-
23	203632	2	BALL JOINT -Valid for lower lever 200939 and





360 Modena - 51 - REAR SUSPENSION - SHOCK ABSORBER AND BRAKE DISC

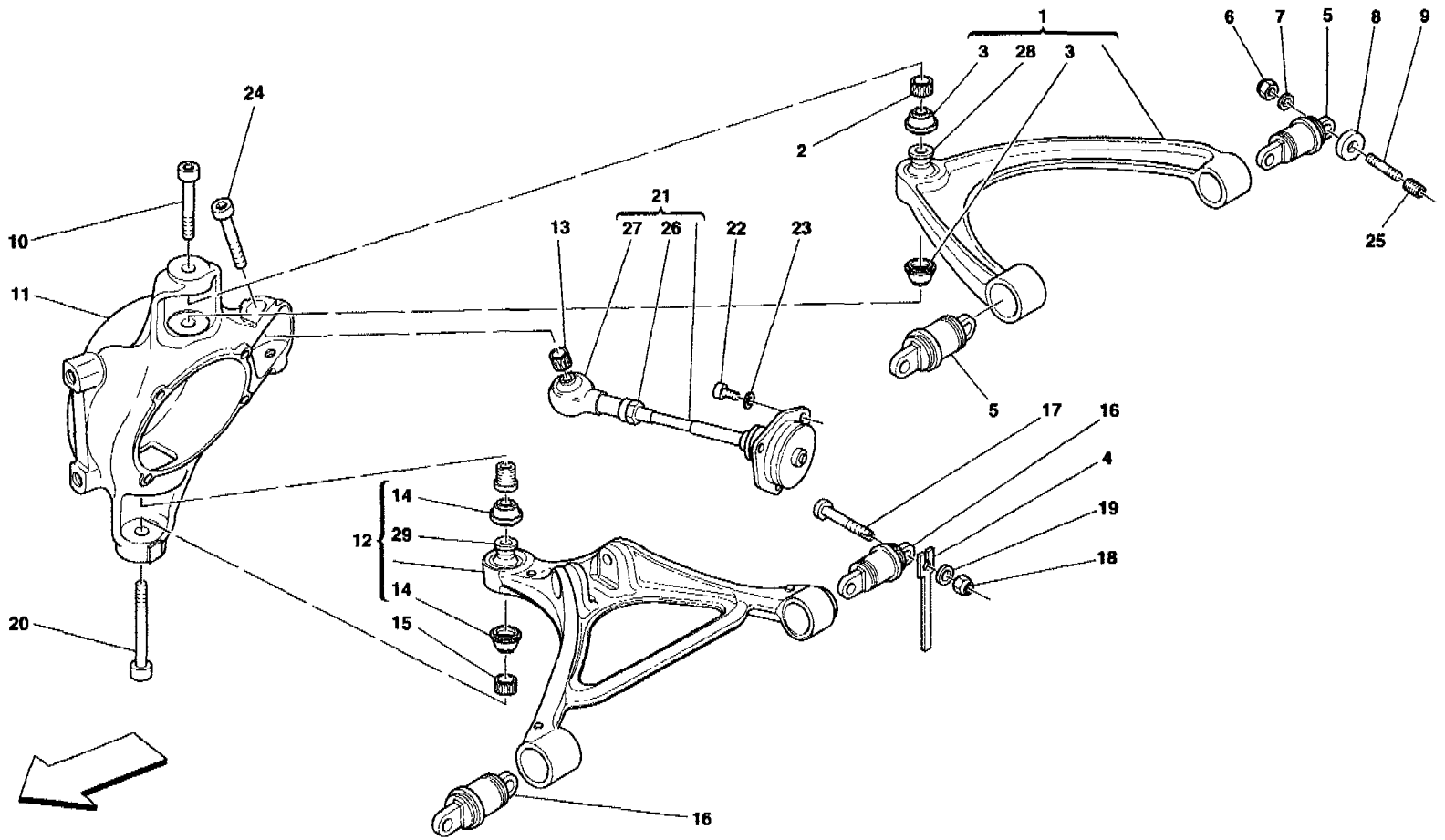


.360 Modena - 51 - REAR SUSPENSION - SHOCK ABSORBER AND BRAKE DISC

1	174724	2	REAR SHOCK ABSORBER
2	173851	2	SPRING -Replace together- -Not as spare part- -Replaced by 182408-
2	182408	2	SPRING -Replace together- -Not as spare part- -Replaced by 190677-
2	190677	2	SPRING
3	177688	2	UPPER SPACER
4	169684	2	LOWER SPACER
5	157630	2	BALL JOINT
6	174727	2	SPRING RETAINING UPPER SPACER
7	174728	2	SHOCK ABSORBER PAD
8	174725	2	SPACER
9	174726	2	RING NUT
10	176625	2	SHOCK ABSORBER CONNECTION SUPPORT -Valid till car Nr. 120068 for GS and 120193 for GD-
11	100013	4	CENTERING DOWEL -Valid till car Nr. 120068 for GS and 120193 for GD-
12	13526170	4	THREADED INSERT -Valid till car Nr. 120068 for GS and 120193 for GD-
13	14496524	8	WASHER -Valid till car Nr. 120068 for GS and 120193 for GD-
14	127496	8	WASHER -Valid till car Nr. 120068 for GS and 120193 for GD-
15	14306774	8	SCREW -Valid till car Nr. 120068 for GS and 120193 for GD-
16	181804	2	SILENTBLOCK -Valid till Ass. Nr. 56991- -Valid till stock exhaustion-
16	212948	2	SILENTBLOCK -Replace together- -Valid from Ass. Nr. 56992 and after stock exhaustion use 181804- -Replace together-
17	11306934	4	SCREW
18	160092	4	WASHER
19	177664	2	SCREW -Valid till stock exhaustion-
19	204974	2	SCREW
20	129225	4	WASHER
21	102825	2	NUT
22	161109	1	R.H. BALL TIE ROD
22	161110	1	L.H. BALL TIE ROD
23	160092	2	WASHER
24	170718	1	REAR ANTI-ROLL BAR -Not as spare part replaced by 182432-
24	182432	1	REAR ANTI-ROLL BAR
25	12164714	2	NUT
26	12601474	2	WASHER
27	170716	1	BAR BUFFER
28	170717	1	BAR BUFFER
29	175861	1	L.H. ARM
30	170950	1	SCREW
31	12601474	1	WASHER
32	179070	2	HUB COMPLETE BEARING
33	180591	8	SCREW
34	160092	8	WASHER

35	10732414	8	WASHER
36	167259	2	NUT
			-Not as spare part-
			-Replaced by 209184-
36	209184	2	NUT
37	177718	2	REAR BRAKE DISC
			-Valid till stock exhaustion-
37	182606	2	REAR BRAKE DISC
			-Valid after stock exhaustion of 177718-
38	16043424	2	SCREW
39	127496	4	WASHER
40	104370	2	BRAKE DISC FIXING SCREW
41	10902024	2	SCREW
42	162606	2	CLIP
43	127494	2	WASHER
44	12643724	2	WASHER
45	10460287	2	RUBBER RING

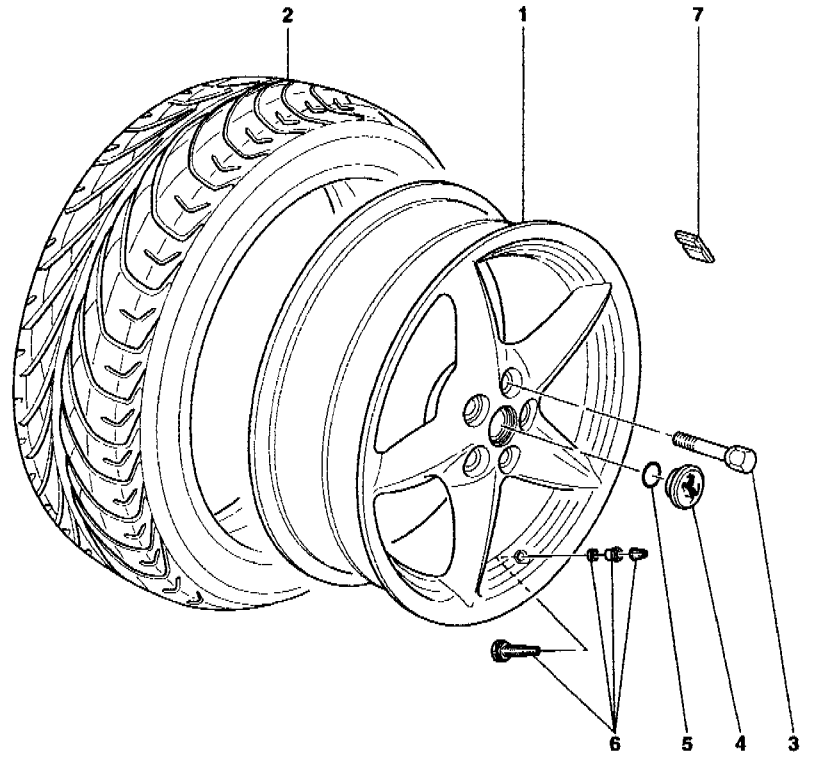
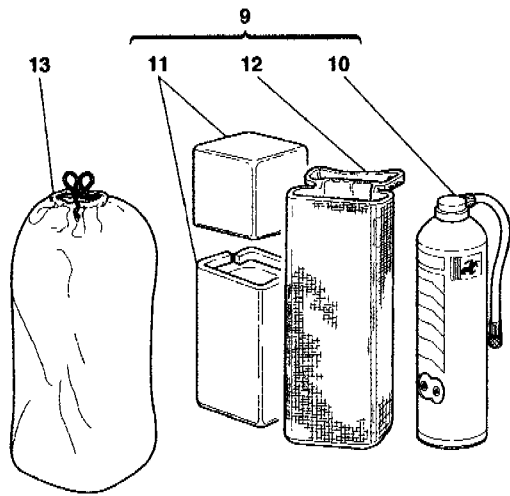
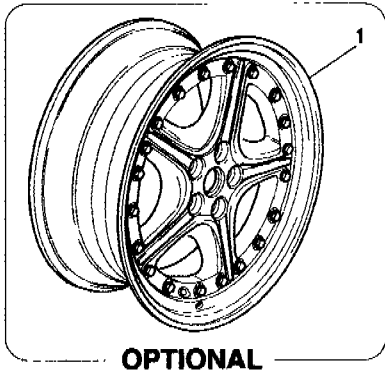
360 Modena - 52 - REAR SUSPENSION - WISHBONES



## 360 Modena - 52 - REAR SUSPENSION - WISHBONES

1	185079	2	UPPER LEVER -Not as spare part- -Replaced by 193457-
1	193457	2	UPPER LEVER -Not as spare part- -Replaced by 200946-
1	200946	2	UPPER LEVER
2	179555	2	UPPER LEVER COMPENSATOR RING
3	171848	4	BOOT
4	175910	6	ADJUSTING PLATE TH. 1mm -Possible fitting-
4	175911	6	ADJUSTING PLATE TH. 2mm -Possible fitting-
4	175912	6	ADJUSTING PLATE TH. 3mm -Possible fitting-
4	178953	6	ADJUSTING PLATE TH. 4mm -Possible fitting-
4	178942	2	ADJUSTING PLATE TH. 1mm -Possible fitting-
4	178943	2	ADJUSTING PLATE TH. 2mm -Possible fitting-
4	178944	2	ADJUSTING PLATE TH. 3mm -Possible fitting-
4	178954	2	ADJUSTING PLATE TH. 4mm -Possible fitting-
5	184610	4	FLAMBLOC
6	104030	8	NUT
7	14496524	8	WASHER
8	12628905	8	WASHER -Valid till stock exhaustion-
8	12628904	8	WASHER -Valid after stock exhaustion of 12628905-
9	170155	8	THREADED BAR
10	179556	2	SCREW
11	179330	1	R.H. REAR STEERING KNUCKLE
11	179328	1	L.H. REAR STEERING KNUCKLE
12	185080	1	R.H. LOWER LEVER -Valid till Ass. Nr. 47927- -Not as spare part- -Replaced by 200943-
12	200943	1	R.H. LOWER LEVER -Valid till Ass. Nr. 47927-
12	199634	1	R.H. LOWER LEVER -Valid from Ass. Nr. 47928- -Not as spare part- -Replaced by 200941-
12	200941	1	R.H. LOWER LEVER -Valid from Ass. Nr. 47928-
12	185081	1	L.H. LOWER LEVER -Valid till Ass. Nr. 47927- -Not as spare part- -Replaced by 200944-
12	200944	1	L.H. LOWER LEVER -Valid till Ass. Nr. 47927-
12	199635	1	L.H. LOWER LEVER -Valid from Ass. Nr. 47928- -Not as spare part- -Replaced by 200942-
12	200942	1	L.H. LOWER LEVER -Valid from Ass. Nr. 47928-
13	179555	2	TIE ROD COMPENSATOR RING
14	171847	4	BOOT
15	179554	2	LOWER LEVER COMPENSATOR RING
16	184609	4	FLAMBLOC
17	174203	8	SCREW -Not as spare part replaced by 182215-

17	• 182215	8	SCREW
18	104114	8	NUT
19	14496624	8	WASHER
20	178941	2	SCREW
21	175875	2	COMPLETE TIE ROD -Valid till Ass. Nr. 49787- -Valid till stock exhaustion-
21	194791	2	COMPLETE TIE ROD -Valid from Ass. Nr. 49788 and after stock exhaustion of 175875 -
22	14306224	6	SCREW
23	11194074	6	WASHER
24	179556	2	SCREW
25	13582210	8	THREADED INSERT
26	10790424	2	NUT -Valid for ball tie rod 178930 and 181882 ref. 27-
26	204248	2	NUT -Valid for ball tie rod 194794 ref. 27-
27	178930	2	BALL TIE ROD -Valid till Ass. Nr. 49787- -Valid till stock exhaustion-
27	181882	2	BALL TIE ROD -Valid till Ass. Nr. 49787 and after stock exhaustion of 178930 -
27	194794	2	BALL TIE ROD -Valid from Ass. Nr. 49788-
28	203633	2	BALL JOINT -Valid for upper lever 200946 ref. 1-
29	203632	2	BALL JOINT -Valid for l.h. lower lever 200944 and 200942 ref.12- -Valid for r.h. lower lever 200943 and 200941 ref.12-

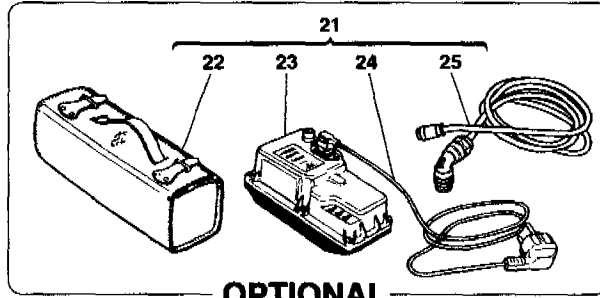
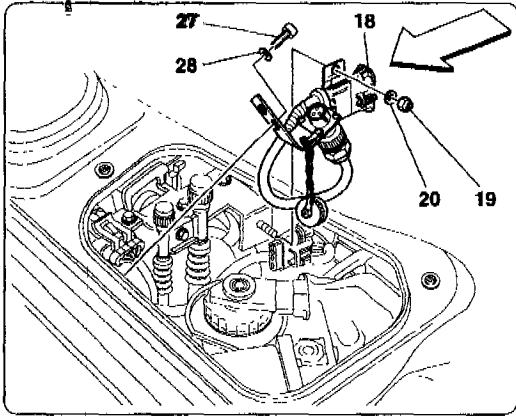




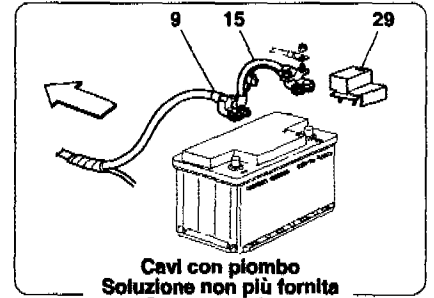
## 360 Modena - 53 - WHEELS

1	164173	2	FRONT WHEEL RIM 7.5J X 18H2
1	183843	2	ASSEMBLED FRONT WHEEL RIM 7"1/2JX1 -OPTIONAL-
1	164175	2	REAR WHEEL RIM 10J X 18H2
1	183844	2	ASSEMBLED REAR WHEEL RIM 10" JX1 -OPTIONAL-
2	-	1	R.H. FRONT TYRE GOOD-YEAR 215/45 ZR 18 -Not as spare part-
2	-	1	L.H. FRONT TYRE GOOD-YEAR 215/45 ZR 18 -Not as spare part-
2	-	2	FRONT TYRE PIRELLI P ZERO 215/45ZR 18 -Not as spare part-
2	-	2	FRONT TYRE BRIDGESTONE 215/45 ZR 18 -Not as spare part-
2	-	2	FRONT TYRE MICHELIN MXX3 215/40 ZR 18 -Not as spare part-
2	-	1	R.H. REAR TYRE GOOD-YEAR 275/40 ZR 18 -Not as spare part-
2	-	1	L.H. REAR TYRE GOOD-YEAR 275/40 ZR 18 -Not as spare part-
2	-	2	REAR TYRE PIRELLI P ZERO 275/40 ZR 18 -Not as spare part-
2	-	2	REAR TYRE BRIDGESTONE 275/40 ZR 18 -Not as spare part-
2	-	2	REAR TYRE MICHELIN MXX3 275/40 ZR 18 -Not as spare part-
3	146989	20	WHEEL STUD -Not as spare part replaced by 181291-
3	181291	20	WHEEL STUD
4	108947	4	RIM CUP
5	120065	4	O.R. GASKET
6	174166	4	VALVE
6	184240	4	VALVE -Valid for assembled wheel rim-
7	155302	-	COUNTER-WEIGHT -Valid till stock exhaustion-
7	192934	-	COUNTER-WEIGHT -Valid after stock exhaustion of 155302-
7	162677	-	COUNTER-WEIGHT -Not as spare part- -Replaced by 192934-
8	173524	1	GOOD-YEAR TYRE PRESSURE PLATE -Not for USA and CDN-
8	178702	1	GOOD-YEAR TYRE PRESSURE PLATE -Valid for USA and CDN- -Valid till Ass. Nr.52421-
8	173519	1	PIRELLI TYRE PRESSURE PLATE -Not for USA and CDN-
8	178699	1	PIRELLI TYRE PRESSURE PLATE -Valid for USA and CDN- -Valid till Ass. Nr.52421-
8	203407	1	PIRELLI TYRE PRESSURE

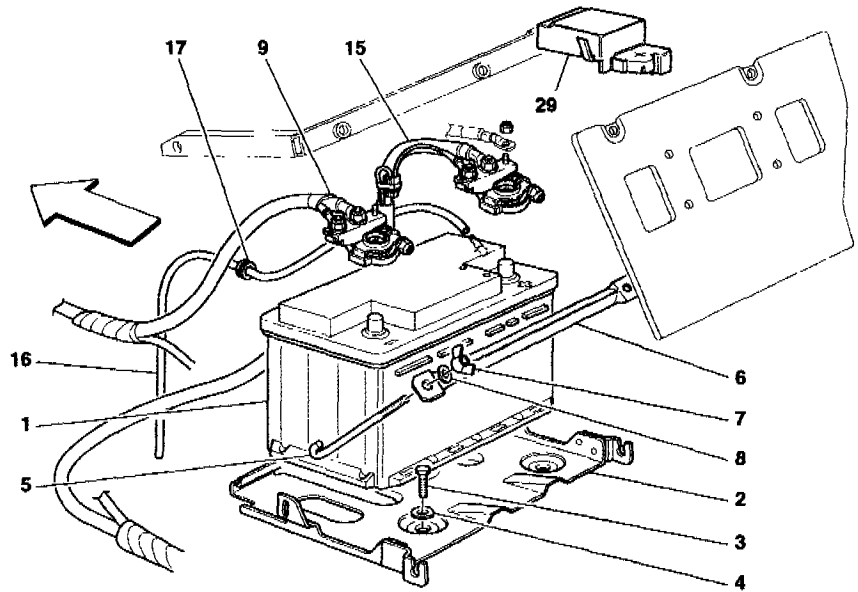
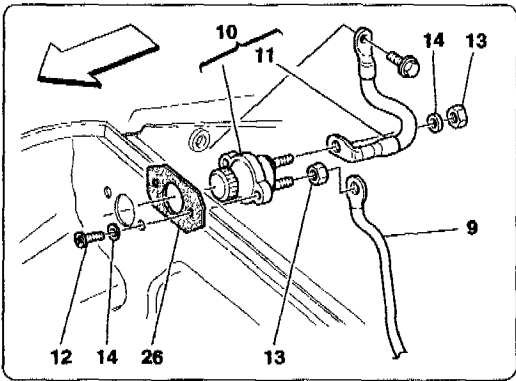
			PLATE
			-Valid for USA and CDN-
			-Valid from Ass. Nr.52422-
8	173522	1	BRIDGESTONE TYRE PRESSURE PLATE
			-Not for USA and CDN-
8	178700	1	BRIDGESTONE TYRE PRESSURE PLATE
			-Valid for USA and CDN-
			-Valid till Ass. Nr.52421-
8	203405	1	GOOD-YEAR, BRIDGESTONE TYRE PRESSURE PLATE
			-Valid for USA and CDN-
			-Valid from Ass. Nr.52422-
8	173523	1	MICHELIN TYRE PRESSURE PLATE
			-Not for USA and CDN-
8	178701	1	MICHELIN TYRE PRESSURE PLATE
			-Valid for USA and CDN-
			-Valid till Ass. Nr.52421-
8	203409	1	MICHELIN TYRE PRESSURE PLATE
			-Valid for USA and CDN-
			-Valid from Ass. Nr.52422-
9	65774000	1	COMPLETE CYLINDER FOR TYRE REPAIR
10	137724	1	CYLINDER FOR TYRE REPAIR
11	65772800	1	CASING
12	65696400	1	PORTFOLIO
13	173688	1	BAG



**OPTIONAL**



**Cavi con piombo  
Soluzione non più fornita  
Cables with lead  
Not as spare part solution**



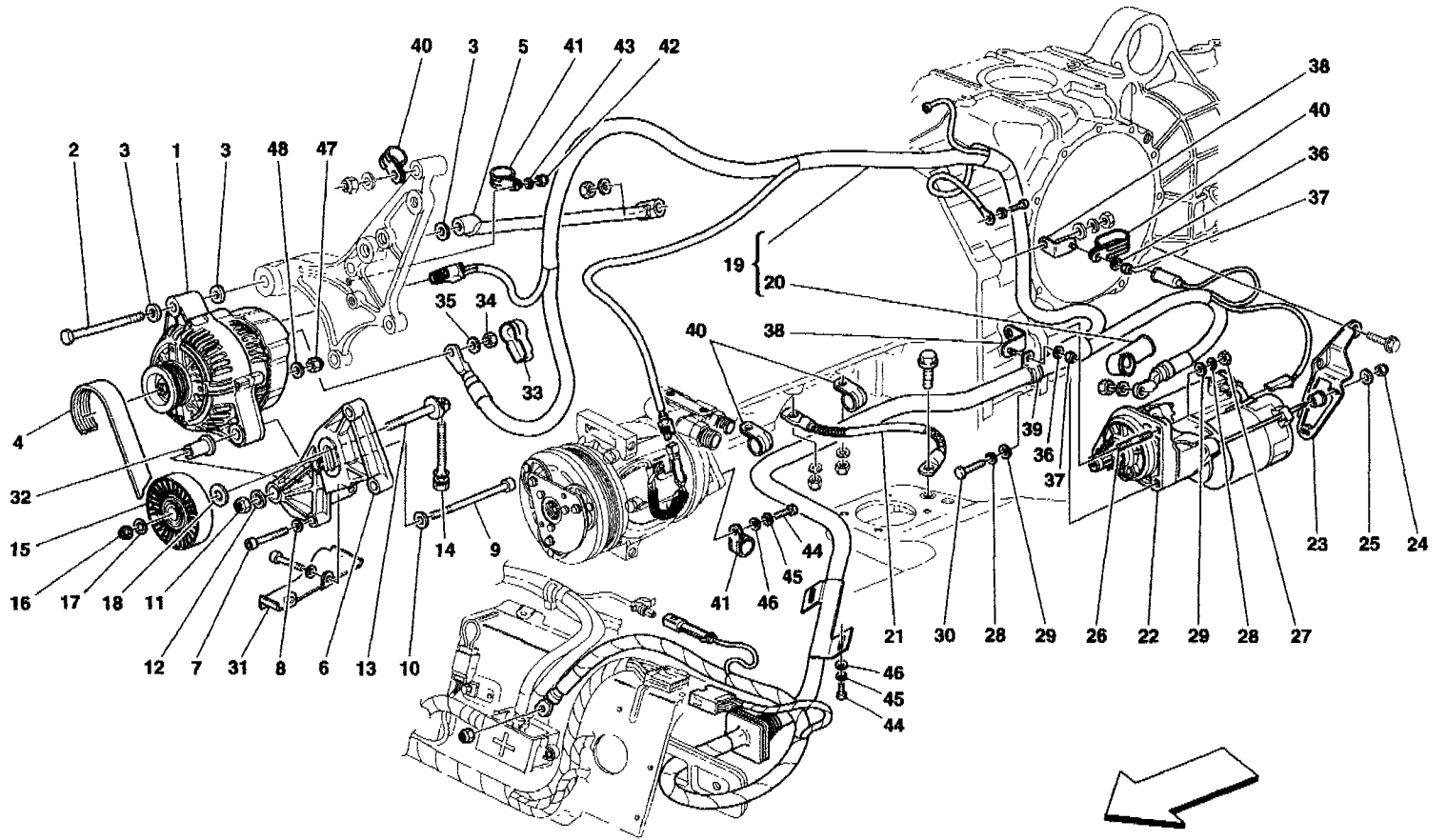
## 360 Modena - 54 - BATTERY

1	168852	1	BATTERY 12V TYPE VR760
2	65521500	1	BATTERY BIN
3	10902124	3	SCREW
4	12647701	3	WASHER
5	65071000	2	TIE ROD
6	65071100	1	BRACKET
7	102741	2	NUT
8	14499324	2	WASHER
9	177911	1	DASHBOARD CONNECTION CABLES -Valid till Ass. Nr. 34124- -Not for GD- -Not for USA MY 2000,2001,2002,2003,2004 and CDN MY 2000,2001,2002,2003,2004-
9	180206	1	DASHBOARD CONNECTION CABLES -Valid from Ass. Nr. 34125 and till Ass. Nr. 36994- -Not for GD- -Not for USA MY 2000,2001,2002,2003,2004 and CDN MY 2000,2001,2002,2003,2004-
9	179194	1	DASHBOARD CONNECTION CABLES -Valid from Ass. Nr. 36995 and till Ass. Nr. 41813- -Not for GD- -Valid for USA MY 2000,2001,2002,2003,2004 and CDN MY 2000,2001,2002,2003,2004-
9	188897	1	DASHBOARD CONNECTION CABLES -Valid from Ass. Nr. 41814 till Ass. Nr. 46967- -Not for GD- -Valid for USA MY 2000,2001,2002,2003,2004 and CDN MY 2000, 2001,2002,2003,2004-
9	195353	1	DASHBOARD CONNECTION CABLES -Valid from Ass. Nr. 46968- -Not for GD- -Not as spare part- -Replaced by 198552-
9	198552	1	DASHBOARD CONNECTION CABLES -Not for GD-
9	180207	1	DASHBOARD CONNECTION CABLES -Valid till Ass. Nr. 36945- -Valid for GD-
9	181323	1	DASHBOARD CONNECTION CABLES -Valid from Ass. Nr. 36946 and till Ass. Nr. 40324- -Valid for GD-
9	186522	1	DASHBOARD CONNECTION CABLES -Valid from Ass. Nr. 40325 and till Ass. Nr. 41709- -Valid for GD-
9	189234	1	DASHBOARD CONNECTION CABLES -Valid from Ass. Nr. 41710- -Valid for GD- -Not as spare part- -Replaced by 198553-
9	198553	1	DASHBOARD CONNECTION CABLES -Not for GD-
10	188055	1	CUT-OUT SWITCH ASSEMBLY
11	172892	1	GROUND CABLE -Not as spare part- -Replaced by 188056-
11	188056	1	GROUND CABLE
12	13272472	2	SCREW
13	10721911	2	NUT
14	14496277	4	WASHER
15	177913	1	CABLES FOR R.H. REAR TUNNEL CONNECTION -Not for USA MY 2000,2001,2002,2003 and CDN MY 2000,2001,2002,2003- -Not as spare part- -Replaced by 198554-
15	198554	1	CABLES FOR R.H. REAR TUNNEL CONNECTION

15	182200	1	-Not for USA MY 2000,2001,2002,2003,2004 and CDN MY 2000,2001,2002,2003,2004- CABLES FOR R.H. REAR TUNNEL CONNECTION -Valid for USA MY 2000, 2001,2002,2003,2004 and CDN MY 2000,2001,2002,2003,2004- -Not as spare part-
15	198555	1	-Replaced by 198555- CABLES FOR R.H. REAR TUNNEL CONNECTION -Valid for USA MY 2000,2001,2002,2003,2004 and CDN MY 2000,2001,2002,2003,2004-
16	181056	1	BATTERY VENT PIPE
17	10396280	1	CABLE BUSHING
18	178566	1	BATTERY CHARGING CONNECTION CABLE -Optional-
18	184585	1	-Valid till Ass. Nr. 43439- BATTERY CHARGING CONNECTION CABLE -Optional- -Valid from Ass. Nr. 43440- -Not as spare part-
18	200857	1	-Replaced by 200857- BATTERY CHARGING CONNECTION CABLE -Optional- -Valid from Ass. Nr. 43440-
19	102741	1	NUT -Optional-
20	10519424	1	WASHER -Optional-
21	178682	1	BATTERY CHARGER KIT -Not for USA, CDN, J, GB, Hong Kong and AUS- -Optional-
21	178683	1	BATTERY CHARGER KIT -Valid for USA, CDN and J- -Optional-
21	178685	1	BATTERY CHARGER KIT -Valid for GB and Hong Kong- -Optional-
21	178684	1	BATTERY CHARGER KIT -Valid for AUS- -Optional-
22	65699200	1	BATTERY BAG CASE -Optional-
23	177791	1	BATTERY CHARGER -230V- -Not for USA, CDN and J- -Optional-
23	177792	1	BATTERY CHARGER -110V- -Not for USA, CDN and J- -Optional-
24	177794	1	POWER SUPPLY CABLE -Not for USA, CDN, J, GB, Hong Kong and AUS- -Optional-
24	177795	1	POWER SUPPLY CABLE -Valid for USA, CDN and J- -Optional-
24	178294	1	POWER SUPPLY CABLE -Valid for GB and Hong Kong- -Optional-
24	177796	1	POWER SUPPLY CABLE -Valid for AUS- -Optional-
25	178676	1	CABLE WITH CONNECTOR -Optional-
26	66079900	1	GASKET

27	10902224	1	SCREW
28	12644424	1	WASHER
29	172207	1	PROTECTION COVER -Not as spare part- -Replaced by 185418-
29	185418	1	PROTECTION COVER

360 Modena - 55 - CURRENT GENERATOR - STARTING MOTOR



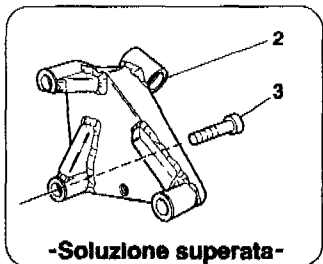
### 360 Modęna - 55 - CURRENT GENERATOR - STARTING MOTOR

1	179852	1	150 A. ALTERNATOR
2	15971321	1	SCREW
3	13550421	3	WASHER
4	179813	1	WATER PUMP AND GENERATOR CONTROL BELT -Not as spare part- -Replaced by 194229-
4	194229	1	WATER PUMP AND GENERATOR CONTROL BELT -Valid till stock exhaustion-
4	201446	1	WATER PUMP AND GENERATOR CONTROL BELT -Valid after stock exhaustion of 194229-
5	180493	1	REAR BRACKET
6	179704	1	LOWER SUPPORT
7	14306524	1	SCREW L=30mm
7	14306724	2	SCREW L=40mm
8	12601374	3	WASHER
9	179664	1	SCREW
10	164469	1	WASHER
11	177764	1	NUT
12	126648	1	WASHER
13	172527	1	PIN
14	157289	1	SCREW
15	172537	1	BELT TIGHTENING PULLEY
16	133216	1	NUT
17	102695	1	WASHER
18	174508	1	WASHER
19	179833	1	COMPLETE CONNECTION CABLES FOR MOTOR UTILITIES -Not as spare part- -Replaced by 188108-
19	188108	1	COMPLETE CONNECTION CABLES FOR MOTOR UTILITIES -Not as spare part- -Replaced by 213155-
19	213155	1	COMPLETE CONNECTION CABLES FOR MOTOR UTILITIES
20	176903	1	PROTECTION BOOT
21	155073	1	CABLE FOR ENGINE-FRAME EARTH
22	179824	1	STARTER MOTOR -Valid till stock exhaustion-
22	183392	1	STARTER MOTOR -Valid after stock exhaustion of 179824-
23	179719	1	STARTER MOTOR SUPPORTING BRACKET
24	160472	2	NUT
25	61148700	2	WASHER
26	13517024	2	STUD
27	133989	2	NUT
28	127496	3	WASHER
29	10519624	3	WASHER
30	176212	1	SCREW
31	178067	1	PLATE -Valid for cars with meccanical gearbox-
32	164467	1	BUSHING
33	154803	1	PROTECTION BOOT
34	16102314	1	NUT -Not as spare part- -Replaced by 16100814-
34	16100814	1	NUT
35	12601374	1	WASHER
36	12601274	2	WASHER
37	102741	2	NUT
38	149694	2	FIXING BRACKET
39	10442090	1	BRACKET WITH SHEATH
40	10450690	5	BRACKET WITH SHEATH
41	10441790	2	BRACKET WITH SHEATH

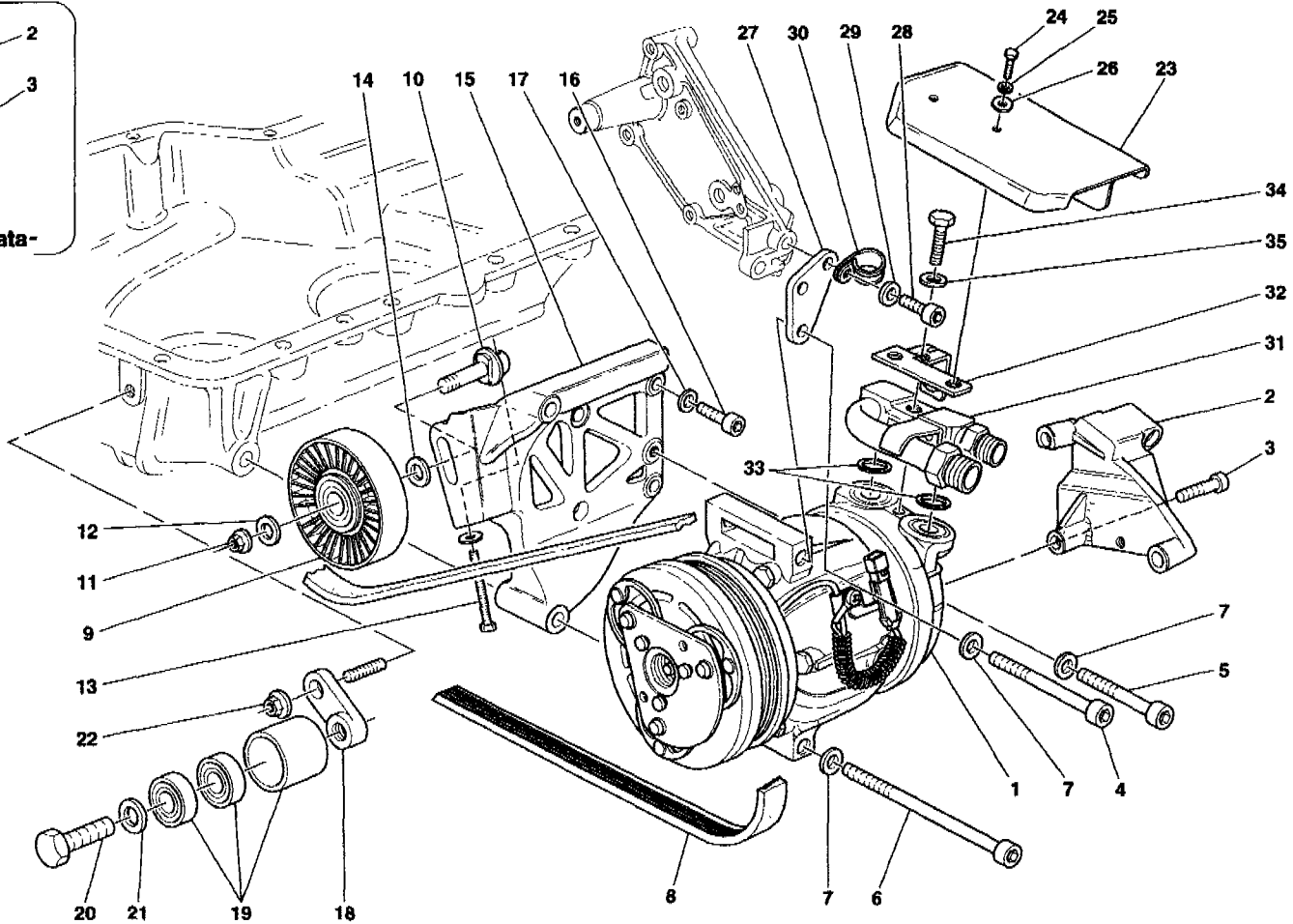


42	102741	1	NUT
43	10519424	1	WASHER
44	10902324	2	SCREW
45	127494	2	WASHER
46	12644424	2	WASHER
47	64449900	1	CAP NUT
48	127493	1	WASHER

360 Modena - 56 - AIR CONDITIONING COMPRESSOR

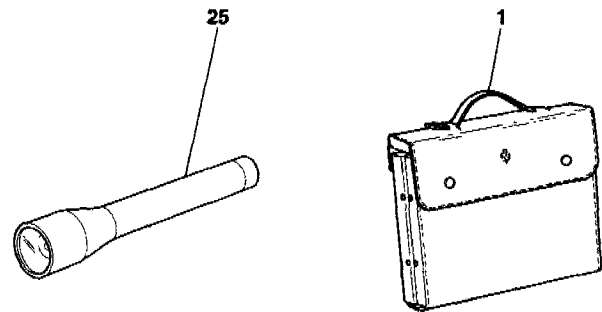
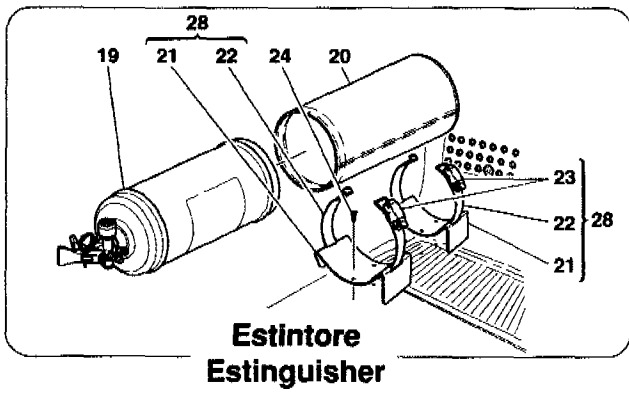
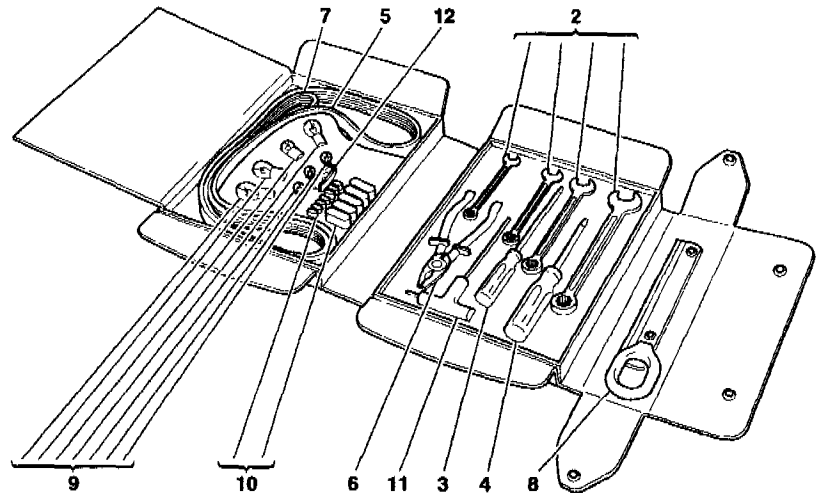
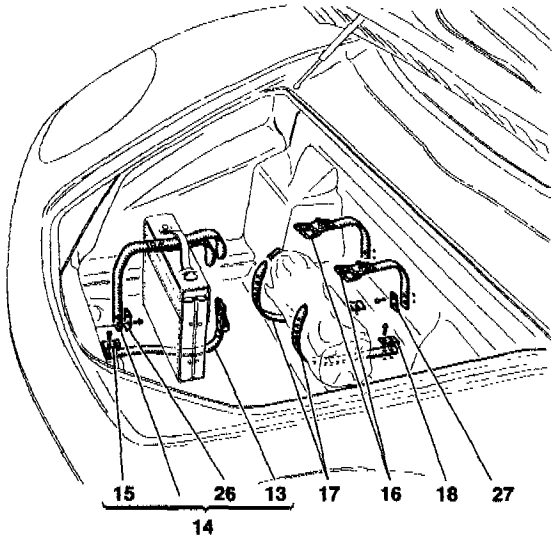


-Soluzione superata-  
-Old solution-



## 360 Modena - 56 - AIR CONDITIONING COMPRESSOR

1	180041	1	AIR CONDITIONING COMPRESSOR
2	180099	1	COMPRESSOR REAR BRACKET -Valid till stock exhaustion-
2	194216	1	COMPRESSOR REAR BRACKET -Valid after stock exhaustion of 180099-
3	14306724	2	SCREW -Valid for 180099 bracket ref.2-
3	16044024	2	SCREW -Valid for 194216 bracket ref.2-
3	14306921	1	SCREW -Valid for 180099 bracket ref.2-
3	16044224	1	SCREW -Valid for 194216 bracket ref.2-
4	160531	1	SCREW -Not as spare part- -Replaced by 180604-
4	180604	1	SCREW
5	14307124	1	SCREW
6	14301724	1	SCREW
7	11198074	3	WASHER
8	178758	1	COMPRESSOR CONTROL BELT -Not as spare part- -Replaced by 194227-
8	194227	1	COMPRESSOR CONTROL BELT -Valid till stock exhaustion-
8	201236	1	COMPRESSOR CONTROL BELT -Valid after stock exhaustion of 194227-
9	172537	1	BELT TIGHTENING PULLEY
10	172527	1	THREADED PIN
11	133216	1	NUT
12	102695	1	WASHER
13	178713	1	SCREW
14	174508	1	WASHER
15	179584	1	COMPRESSOR SUPPORT BRACKET
16	14306624	3	SCREW
16	14306424	1	SCREW
17	11198074	3	WASHER
17	183671	1	WASHER
18	178666	1	SMALL PLATE -Valid till stock exhaustion-
18	180296	1	SMALL PLATE -Valid after stock exhaustion of 178666-
19	179698	1	BELT TIGHTENING BEARING
20	15970921	1	SCREW
21	11190574	1	WASHER
22	177778	1	NUT
23	178749	1	SHIELD FOR COMPRESSOR PROTECTION
24	10902024	3	SCREW
25	127494	3	WASHER
26	12643724	3	WASHER
27	180291	1	SMALL PLATE
28	14306374	2	SCREW
29	11198074	2	WASHER
30	10449790	1	BRACKET WITH SHEATH
31	191955	1	FREON DISTRIBUTOR
32	192348	1	HEAT PROTECTION BRACKET
33	192351	2	O.R. GASKET
34	192349	1	SCREW
35	192350	1	WASHER

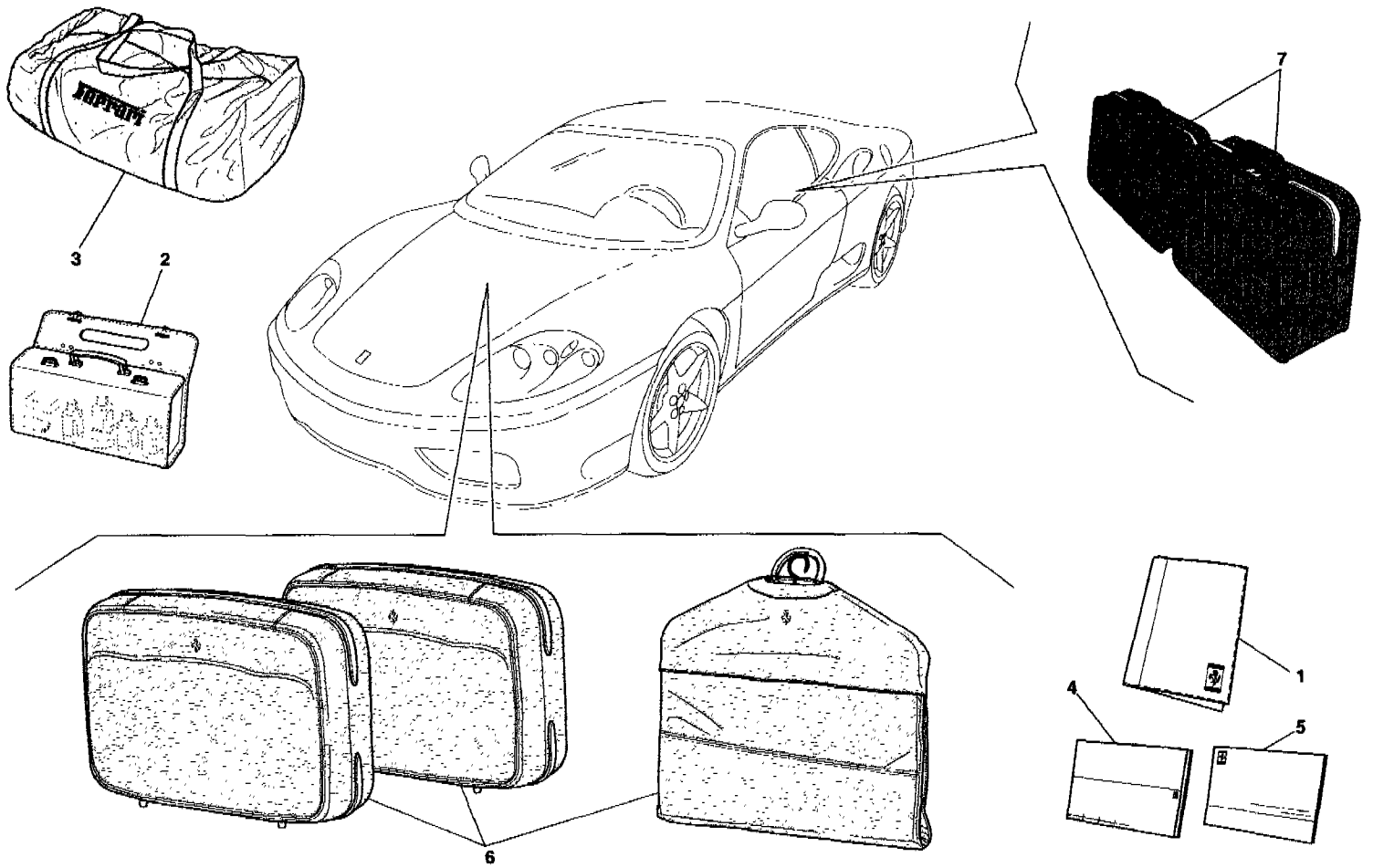


## 360 Modena - 57 - TOOLS EQUIPMENT AND ACCESSORIES

*	176371	1	COMPLETE TOOL KIT BAG -Not as spare part- -Replaced by 199429-
*	199429	1	COMPLETE TOOL KIT BAG -Valid till stock exhaustion-
*	202874	1	COMPLETE TOOL KIT BAG -Valid after stock exhaustion of 199429-
1	169157	1	EMPTY TOOL KIT BAG -Not as spare part- -Replaced by 185385-
1	185385	1	EMPTY TOOL KIT BAG
2	---	1	WRENCH SET 8/17 -With complete bag-
3	---	1	MM. 125 SCREWDRIVER FOR SLOT SCREWS -With complete bag-
4	---	1	MM. 100 SCREWDRIVER FOR CROSS SLOT SCREWS -With complete bag-
5	178758	1	COMPRESSOR CONTROL BELT -Not as spare part- -Replaced by 194227-
5	194227	1	COMPRESSOR CONTROL BELT -Valid till stock exhaustion-
5	201236	1	COMPRESSOR CONTROL BELT -Valid after stock exhaustion of 194227-
6	---	1	MM. 160 CUTTING PLIERS -With complete bag-
7	179813	1	WATER PUMP AND GENERATOR CONTROL BELT -Not as spare part- -Replaced by 194229-
7	194229	1	WATER PUMP AND GENERATOR CONTROL BELT -Valid till stock exhaustion-
7	201446	1	WATER PUMP AND GENERATOR CONTROL BELT -Valid after stock exhaustion of 194229-
8	155838	1	TOW HOOK
9	143166	1	12V-65W BULB -Not as spare part replaced by 182710-
9	182710	1	12V-60W BULB
9	10857790	1	12V-5W BULB
9	14142390	1	12V-4W BULB
9	14144190	1	12V-5W BULB
9	14148190	1	12V-21W BULB
9	14144690	1	12V-21/5W BULB
9	101525	1	12V-3W BULB
9	152567	1	12V-21W ORANGE BULB
9	14145890	1	194 12V BULB
10	169438	1	MAXI FUSE 20 A.
10	170093	1	MAXI FUSE 30 A.
10	166835	1	MAXI FUSE 40 A.
10	170061	1	MAXI FUSE 50 A.
10	172871	1	MAXI FUSE 60 A.
10	172875	1	MINI FUSE 5 A.
10	172876	1	MINI FUSE 7,5 A.
10	172877	1	MINI FUSE 10 A.
10	172878	1	MINI FUSE 15 A.
10	172879	1	MINI FUSE 20 A.
10	172880	1	MINI FUSE 25 A.
10	172881	1	MINI FUSE 30 A.
11	14534079	1	HEXAGONAL MALE KEY
12	178659	1	PLIERS
13	65699000	1	BELT WITH BUCKLE FOR TOOL BAG
14	65698700	1	COMPLETE BELT FIXING TOOL BAG
15	65696100	1	SMALL PLATE

16	65695900	2	BELT WITH BUCKLE FOR CYLINDER FOR TYRE REPAIR
17	65696000	2	BELT FOR CYLINDER FOR TYRE REPAIR
18	65696100	2	SMALL PLATE
19	65644700	1	EXTINGUISHER
20	656448..	1	EXTINGUISHER BAG
21	656536..	2	COVERED BRACKET -Not as spare part- -Replaced by 680102.. till Ass. Nr. 42146 and 680103.. from Ass. Nr. 42147 ref. 28-
22	65929500	2	EXTINGUISHER FASTENER -Valid till Ass. Nr. 42146- -Not as spare part- -Replaced by 680102.. ref. 28-
22	66142000	2	EXTINGUISHER FASTENER -Valid from Ass. Nr. 42147- -Not as spare part- -Replaced by 680103.. ref. 28-
23	65930000	2	SEAL -Not as spare part- -Replaced by 680102.. till Ass. Nr. 42146 and 680103.. from Ass. Nr. 42147 ref. 28-
24	13297477	4	SCREW
25	180720	1	EMERGENCY LIGHT
26	65750700	1	SMALL PLATE
27	65696300	2	SMALL PLATE
28	680102..	2	COMPLETE COVERED BRACKET -Valid till Ass. Nr. 42146-
28	680103..	2	COMPLETE COVERED BRACKET -Valid from Ass. Nr. 42147-

For particular colour matchings, make order by Fax or E-m@il, specifying serial number. - See "INNER TRIMS CAR CODES" table for codes of parts covered in leather or moquette.

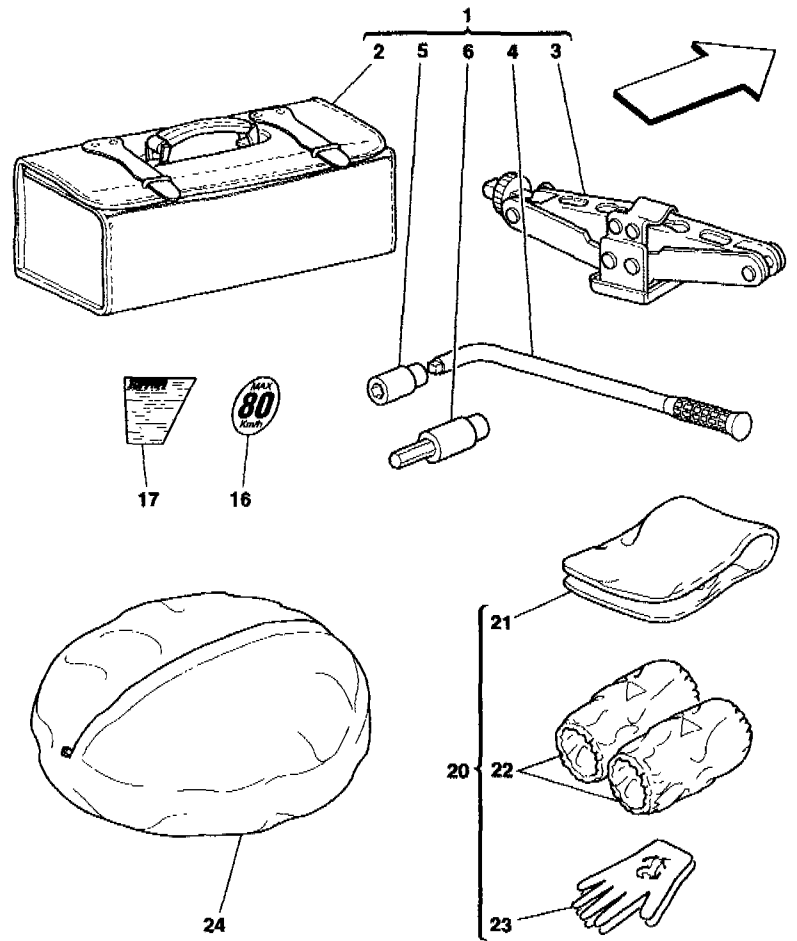
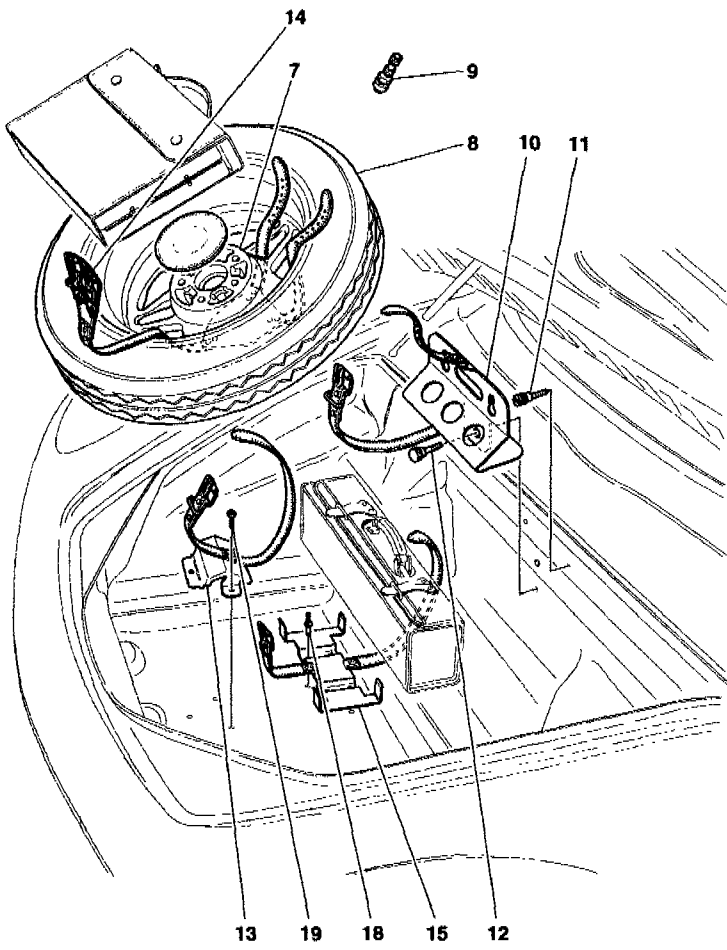


360 Modena - 58 - DOCUMENTATION AND ACCESSORIES

1	195298	1	DOCUMENT ENVELOPE
2	70000911	1	KIT PRODUCTS FOR THE CURE OF THE CAR
3	66504000	1	CAR PROTECTION KIT -For GT seat- -Composed by bag, steering wheel cover, car cover and seat cover-
3	66504400	1	CAR PROTECTION KIT -For sport seat- -Composed by bag, steering wheel cover, car cover and seat cover-
4	67253700	1	INSTRUCTION BOOK -Italian, english, french, spanish-
4	67253800	1	INSTRUCTION BOOK -Italian, english, french, german-
4	67753900	1	INSTRUCTION BOOK -Portuguese-
4	69151200	1	INSTRUCTION BOOK -China-
4	65926100	1	INSTRUCTION BOOK -Usa, Canada- -M.Y. 1999-
4	66238000	1	INSTRUCTION BOOK -Usa, Canada- -M.Y. 2000-
4	66622200	1	INSTRUCTION BOOK -Usa, Canada- -M.Y. 2001-
4	67054900	1	INSTRUCTION BOOK -Usa, Canada- -M.Y. 2002-
4	67428600	1	INSTRUCTION BOOK -Usa, Canada- -M.Y. 2003-
4	68065700	1	INSTRUCTION BOOK -Usa, Canada- -M.Y. 2004-
5	67755000	1	ORGANIZATION AND SALE BOOK
5	67754500	1	DIRECT LINE BOOK
6	66073300	1	TRUNK HOOD SUITCASE SET -Leather-
6	66073700	1	TRUNK HOOD SUITCASE SET -Skin-
7	66074100	1	REAR BENCH SUITCASE SET -Leather-
7	66074400	1	REAR BENCH SUITCASE SET -Skin-



360 Modena - 59 - SPARE WHEEL AND EQUIPMENT -OPTIONAL-



360 Modena - 59 - SPARE WHEEL AND EQUIPMENT -OPTIONAL-

*	182070	-	SPARE WHEEL KIT -Not for USA and CDN-
*	182071	-	SPARE WHEEL KIT -Valid for USA and CDN-
1	171488	1	COMPLETE EMERGENCY TOOL KIT BAG
2	159545	1	EMPTY TOOL KIT BAG
3	171489	1	JACK FOR CAR LIFTING
4	171490	1	WHEEL WRENCH
5	171491	1	SOCKET WRENCH 17/19
6	171492	1	SOCKET WRENCH 22-1/2"
7	171989	1	SPARE WHEEL RIM 3"1/2 B X 17"
8	-	1	TYRE GOOD-YEAR T125/80R17 -Not as spare part-
9	174258	1	VALVE
10	65748600	1	COMPLETE MOBILE BRACKET
11	65744000	2	SCREW
12	65744100	1	THREADED PIN
13	65748700	1	COMPLETE FIXED BRACKET
14	65751000	1	BELT FOR TOOL BAG
15	65748800	1	COMPLETE BRACKET FOR TOOL KIT BAG FIXING
16	153815	1	ADHESIVE PLATE -Not for USA and CDN-
17	139886	1	ADHESIVE PLATE -Valid for USA and CDN-
18	60643400	4	RIVET
19	62940900	3	SCREW
20	65253000	1	COMPLETE BAG FOR ACCESSORIES
21	65253100	1	BAG FOR ACCESSORIES
22	65253200	1	SLEEVE
23	65253300	1	GLOVES
24	65252900	1	SPARE WHEEL COVER

## LEATHER COLOR CODES

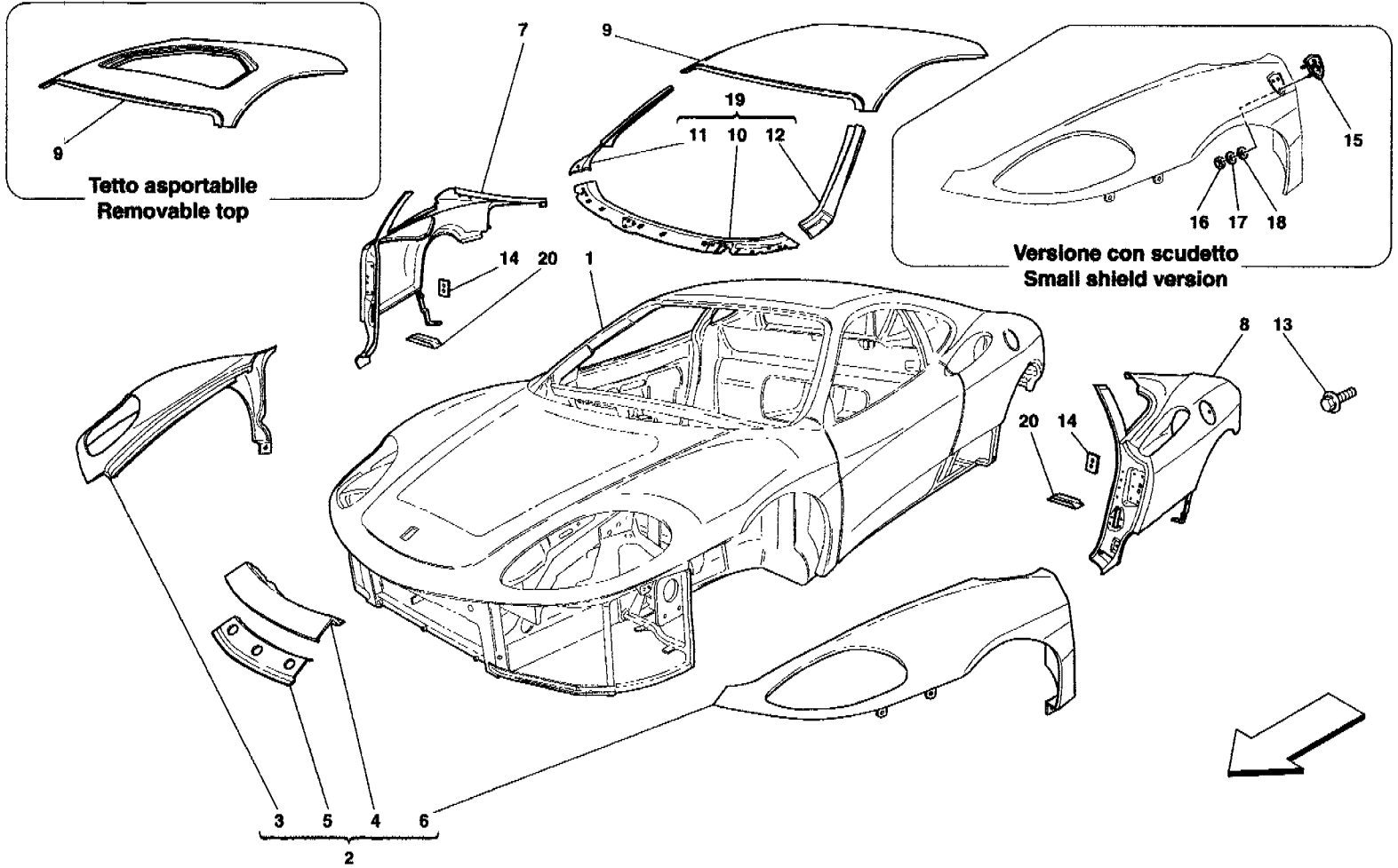
- 00 BLACK
- 05 BEIGE
- 04 CREAM
- 25 BORDEAUX
- 02 DARK BLUE
- 29 HIDE
- 19 CHARCOAL
- 17 DARK GREY
- 27 SABBIA
- 28 CARTA DA ZUCCH
- 30 RED
- 31 MED BLUE

## CARPET COLOR CODES

- 82 NEW HIDE
- 83 NEW RED
- 84 DARK GREY
- 87 ORANTO
- 90 BLACK
- 94 BLUE
- 96 BEAVER
- 98 BORDEAUX

## PAINT COLOR CODES

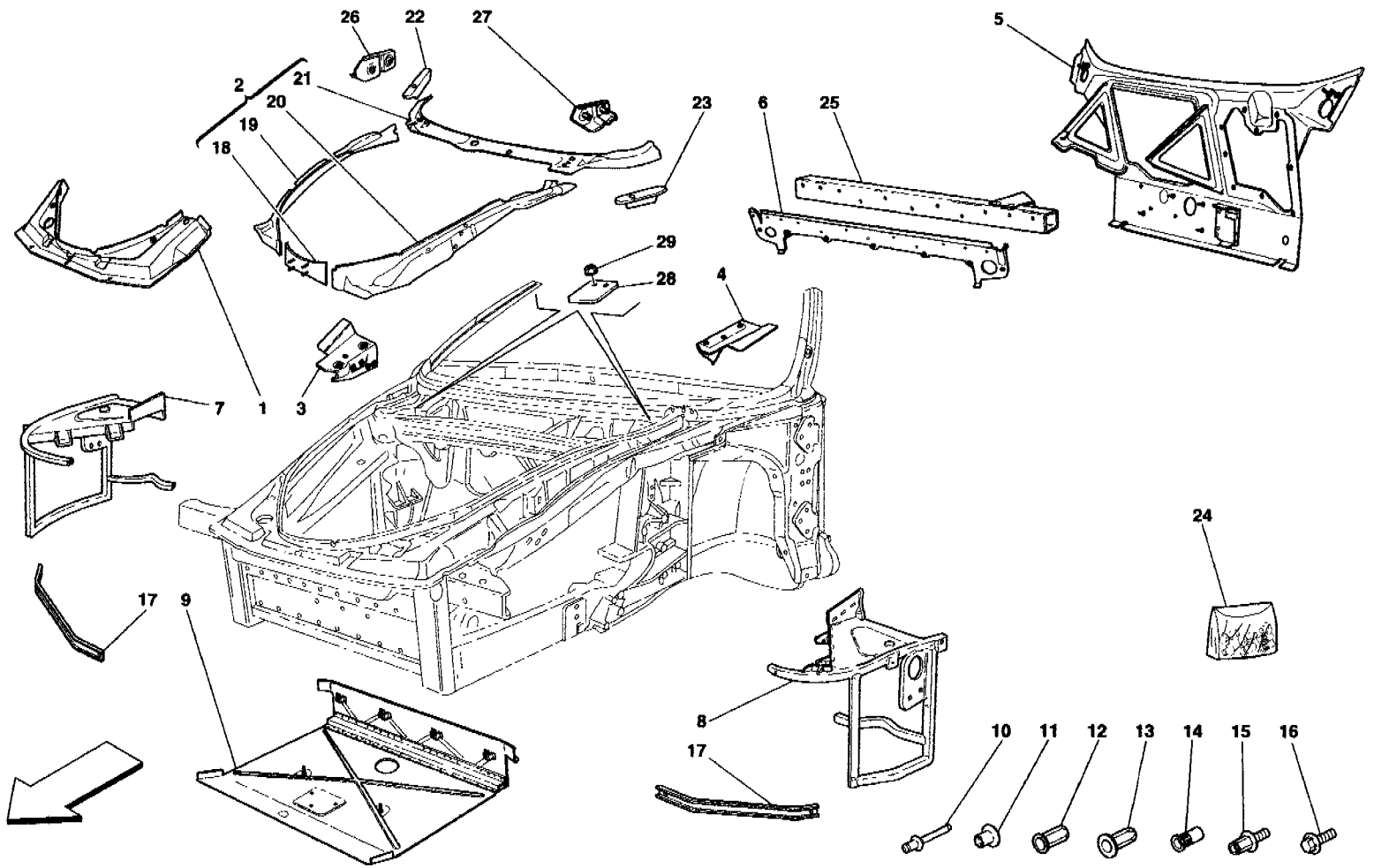
- 69 CORSA RED
- 70 MODENA YELLOW
- 71 BLACK
- 71 INGRID RED
- 72 TITANIUM GREY
- 90 NURBURGRING SILVER
- 94 AVUS WHITE
- 87 SCUDERIA RED
- 91 POZZI BLUE
- 95 TOUR DE FRANCE BLUE
- 79 NART BKUE
- 80 CALIFORNIA LIGHT BLUE
- 81 ZELTWEG GREEN
- 82 BRITISH RACING GREEN
- 86 DAYTONA BLACK
- 93 ALLOY GREY
- 88 MIRABEAU BLUE
- 89 MICALIZZATO RUBY



360 Modena - 100 - BODY - OUTER TRIMS

1	---	1	COMPLETE BODYWORK -Only as specific request by fax or e-m@il, specifying car serial number-
2	65392600	1	COMPLETE FRONT FENDER ASSEMBLY
2	65924700	1	COMPLETE FRONT FENDER ASSEMBLY -Small shield version-
3	65313700	1	COMPLETE R.H. FRONT FENDER
3	65924800	1	COMPLETE R.H. FRONT FENDER -Small shield version-
4	65314100	1	FRONT CENTRAL LINING
5	66233911	1	FRONT CENTRAL MOULDING
6	65313800	1	COMPLETE L.H. FRONT FENDER
6	65924900	1	COMPLETE L.H. FRONT FENDER -Small shield version-
7	63268600	1	COMPLETE R.H. REAR FENDER -Not as spare part-
7	66091100	1	-Replaced by 66091100 for GS and 66098800 for GD- COMPLETE R.H. REAR FENDER
7	66098800	1	-Not for GD- COMPLETE R.H. REAR FENDER
8	63268700	1	-Valid for GD- COMPLETE L.H. REAR FENDER -Not as spare part-
8	66091200	1	-Replaced by 66091100 for GS and 66098900 for GD- COMPLETE L.H. REAR FENDER
8	66098900	1	-Not for GD- COMPLETE L.H. REAR FENDER
9	63246700	1	-Valid for GD- ROOF UPHOLSTERY -Not for Removable Top cars-
9	66051600	1	ROOF UPHOLSTERY -Valid for Removable Top cars-
10	65703100	1	TAIL WINDSHIELD TRIM
11	65315000	1	R.H. WINDSHIELD PILLAR SHIELD
12	65315100	1	L.H. WINDSHIELD PILLAR SHIELD
13	13836971	-	SCREW
14	65304600	2	PLATE -Not as spare part replaced by 65934600-
14	65934600	2	PLATE -Replaces 65304600-
15	65921900	2	SQUADRA CORSE SMALL SHIELD
16	16101711	6	NUT
17	14498521	6	WASHER
18	12624178	6	WASHER
19	63268400	1	COMPLETE TAIL WINDSHIELD TRIM
20	65155300	2	FIXED REAR BRACKET FOR REAR FENDER

360 Modena - 101 - FRAME - COMPLETE FRONT PART STRUCTURES AND PLATES



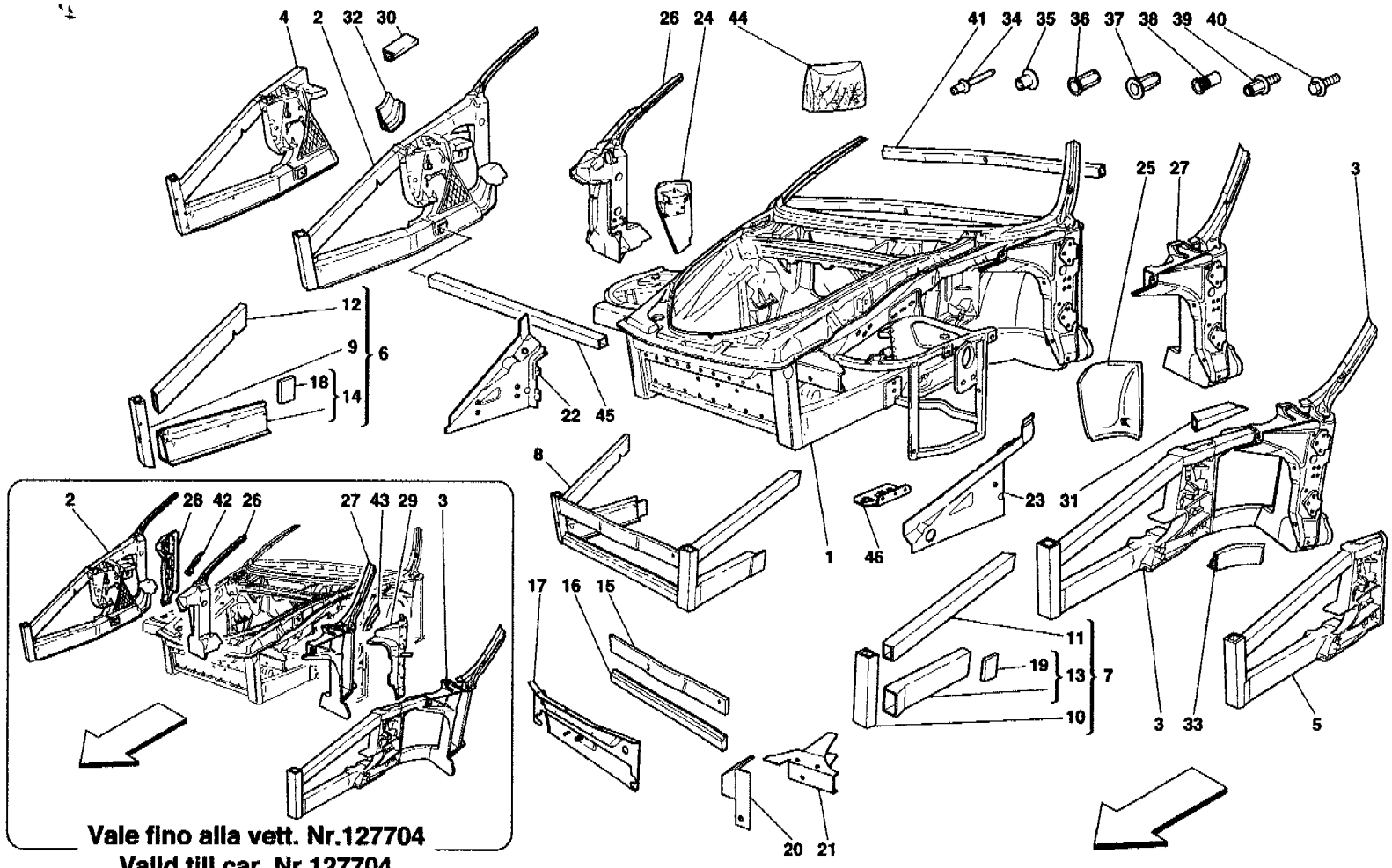
360 Modena - 101 - FRAME - COMPLETE FRONT PART STRUCTURES AND PLATES

1	65393600	1	COMPLETE FRONT CROSS MEMBER
2	65393100	1	COMPLETE FRONT MOULDING -Not for USA and CDN from car 129895- -See Table 102 Pos. 1-
2	67504600	1	COMPLETE FRONT MOULDING -Valid only for USA and CDN from car 129895- -See Table 102 Pos. 1-
3	65317211	1	R.H. PLATE FOR FRONT HOOD BONNET HINGE -Not as spare part- -Replaced by 65393800-
3	65393800	1	R.H. PLATE FOR FRONT HOOD BONNET HINGE
4	65317311	1	L.H. PLATE FOR FRONT HOOD BONNET HINGE -Not as spare part- -Replaced by 65393900-
4	65393900	1	L.H. PLATE FOR FRONT HOOD BONNET HINGE
5	175739	1	COMPLETE FRONT SHIELD -Not for GD-
5	177721	1	COMPLETE FRONT SHIELD -Valid for GD-
6	64855900	1	TRUNK COMPARTMENT UPPER REAR PANEL -Not as spare part- -Replaced by 65152300-
6	65152300	1	TRUNK COMPARTMENT UPPER REAR PANEL
7	63266600	1	COMPLETE R.H. FRONT SIDE FRAME -Not as spare part replaced by 66202300-
7	66202300	1	COMPLETE R.H. FRONT SIDE FRAME
8	63266700	1	COMPLETE L.H. FRONT SIDE FRAME -Not as spare part replaced by 66202400-
8	66202400	1	COMPLETE L.H. FRONT SIDE FRAME
9	65152500	1	COMPLETE COMPARTMENT BOTTOM PLATE
10	66292200	-	STANDARD HEAD POP RIVET
10	66292300	-	HALF REPOTTED HEAD POP RIVET
10	14642891	-	POP RIVET L. 14 mm
11	65133800	-	RIVET L. 6,4 mm
12	15624211	-	ESAGONAL RIVET M4
12	15180411	-	BLIND ESAGONAL RIVET
12	15624511	-	ESAGONAL RIVET M8
12	15624411	-	ESAGONAL RIVET M6
12	15624311	-	ESAGONAL RIVET M5
13	65151200	-	RIVET M6
14	166101	-	RIVET M4
14	65135000	-	RIVET M8
14	65930400	-	RIVET M6
14	65319800	-	RIVET M8 BLIND
14	179299	-	RIVET M10 BLIND
15	65065400	-	STUD ESAGONAL HEAD M6
16	13836971	-	SCREW
17	64874400	2	R.H. AND L.H. LOWER CARPET SHIELD
18	66219800	1	TRUNK COMPARTMENT UPPER MOULDING INSERT
19	65751100	1	R.H. FENDER SUPPORT WALL
20	65751200	1	L.H. FENDER SUPPORT WALL
21	66120311	1	UINDER WINDSCREED FRAME
22	65317400	1	R.H. BRACKET
23	65317500	1	L.H. BRACKET
24	70000950	1	INSERTS KIT FOR REPAIR

25	66846700	1	COMPLETE FRONT SUSPENSION UPPER CONNECTION CROSS MEMBER -Not for GD-
25	66845200	1	COMPLETE FRONT SUSPENSION UPPER CONNECTION CROSS MEMBER -Valid for GD-
26	65709800	1	R.H. BRACKET FOR FIXED HINGE
27	65709900	1	L.H. BRACKET FOR FIXED HINGE
28	65548800	2	SEAL
29	65897200	4	NUT



360 Modena - 102 - FRAME - FRONT ELEMENTS STRUCTURES AND PLATES



Vale fino alla vett. Nr.127704  
 Valld till car. Nr.127704

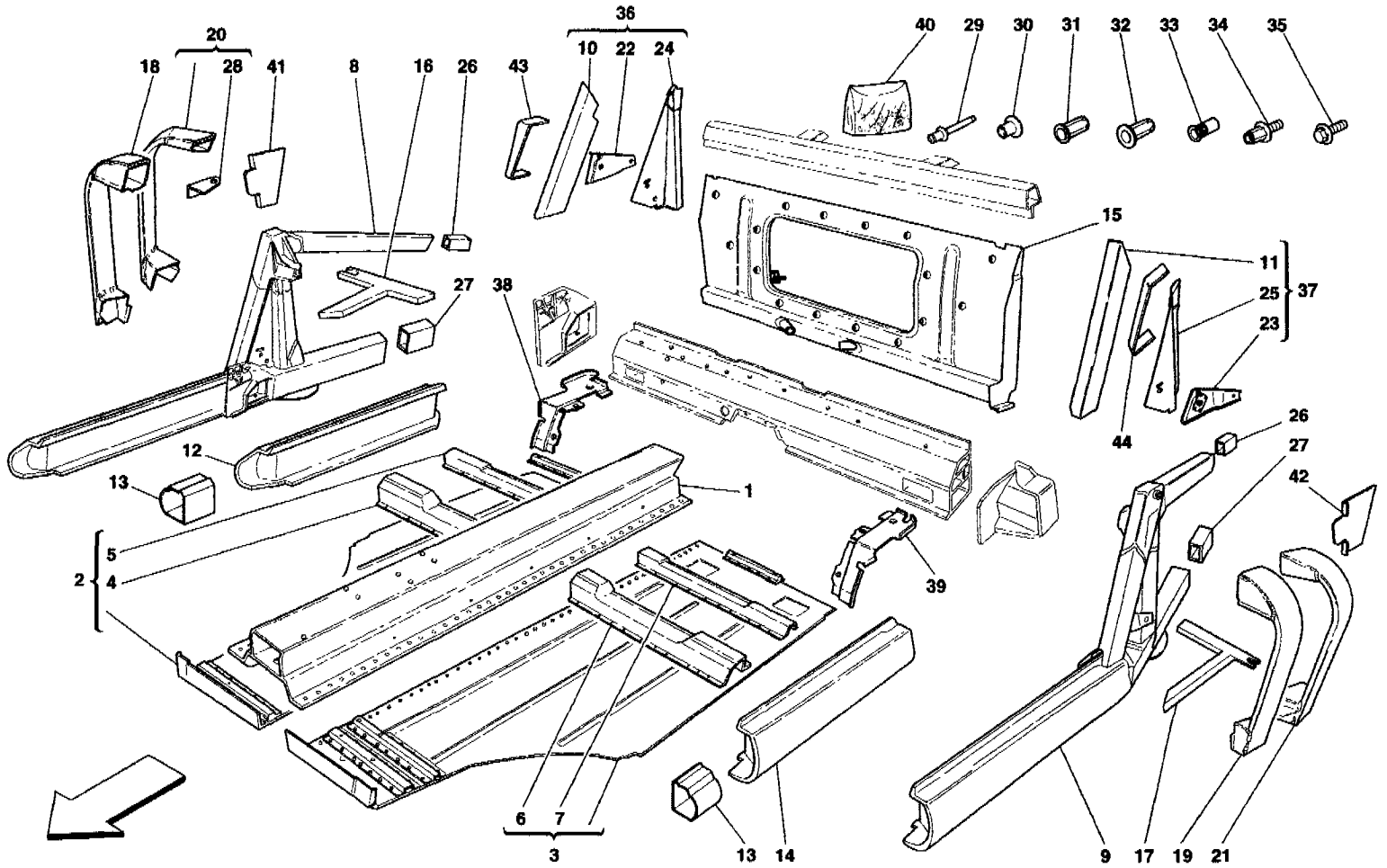
## 360 Modena - 102 - FRAME - FRONT ELEMENTS STRUCTURES AND PLATES

1	65940100	1	COMPLETE FRONT FRAME -Not for GD- -Valid till car Nr. 120068-
1	66452000	1	COMPLETE FRONT FRAME -Not for GD- -Valid from car Nr. 120069 to car Nr. 127704-
1	67386200	1	COMPLETE FRONT FRAME -Not for GD- -Valid from car Nr. 127705- -Not for USA and CDN from car 129895- -See Table 101 Pos. 2-
1	66451200	1	COMPLETE FRONT FRAME -Valid for GD- -Valid till car Nr. 120193-
1	66452100	1	COMPLETE FRONT FRAME -Valid for GD- -Valid from car Nr. 120194 to car Nr. 127704-
1	67387300	1	COMPLETE FRONT FRAME -Valid for GD- -Valid from car Nr. 127705-
1	67632100	1	COMPLETE FRONT FRAME -Valid only for USA and CDN from car 129895- -See Table 102 Pos. 1-
2	65940700	1	COMPLETE R.H. FRONT SIDE FRAME -Not for GD- -Valid till car Nr. 120068-
2	66452200	1	COMPLETE R.H. FRONT SIDE FRAME -Not for GD- -Valid from car Nr. 120069 to car Nr. 127704-
2	67386700	1	COMPLETE R.H. FRONT SIDE FRAME -Not for GD- -Valid from car Nr. 127705-
2	66451300	1	COMPLETE R.H. FRONT SIDE FRAME -Valid for GD- -Valid till car Nr. 120193-
2	66452300	1	COMPLETE R.H. FRONT SIDE FRAME -Valid for GD- -Valid from car Nr. 120069 to car Nr. 127704-
2	67410300	1	COMPLETE R.H. FRONT SIDE FRAME -Valid for GD- -Valid from car Nr. 127705-
3	65940800	1	COMPLETE L.H. FRONT SIDE FRAME -Not for GD- -Valid till car Nr. 120068-
3	66452400	1	COMPLETE L.H. FRONT SIDE FRAME -Not for GD- -Valid from car Nr. 120069 to car Nr. 127704-
3	67410600	1	COMPLETE L.H. FRONT SIDE FRAME -Not for GD- -Valid from car Nr. 127705-
3	66451400	1	COMPLETE L.H. FRONT SIDE FRAME -Valid for GD- -Valid till car Nr. 120193-
3	66452500	1	COMPLETE L.H. FRONT SIDE FRAME -Valid for GD- -Valid from car Nr. 120069 to car Nr. 127704-
3	67410700	1	COMPLETE L.H. FRONT

			SIDE FRAME
			-Valid for GD-
			-Valid from car Nr. 127705-
4	65940500	1	R.H. FRONT LATERAL SPRAG
			-Valid till car Nr. 120068 for GS and 120193 for GD-
4	66452600	1	R.H. FRONT LATERAL SPRAG
			-Valid from car Nr. 120069 for GS and 120194 for GD-
5	65940600	1	L.H. FRONT LATERAL SPRAG
			-Not for GD-
			-Valid till car Nr. 120068-
5	66452800	1	L.H. FRONT LATERAL SPRAG
			-Not for GD-
			-Valid from car Nr. 120069-
5	67040100	1	L.H. FRONT LATERAL SPRAG
			-Valid for GD-
			-Valid till car Nr. 120193-
5	67040200	1	L.H. FRONT LATERAL SPRAG
			-Valid for GD-
			-Valid from car Nr. 120194-
6	65940300	1	COMPLETE R.H. FRONT LATERAL FRAME
7	65940400	1	COMPLETE L.H. FRONT LATERAL FRAME
8	65940200	1	COMPLETE FRONT FRAME
9	166202	1	R.H. FRONT BUMPER PILLAR
10	166102	1	L.H. FRONT BUMPER PILLAR
11	166105	1	L.H. FRONT UPPER FRAME
12	166205	1	R.H. FRONT UPPER FRAME
13	166103	1	L.H. FRONT LOWER FRAME
			-Not as spare part-
			-Replaced by 177481-
13	177481	1	L.H. FRONT CRUSH-BOX
14	166203	1	R.H. FRONT LOWER FRAME
			-Not as spare part-
			-Replaced by 177482-
14	177482	1	R.H. FRONT CRUSH-BOX
15	166301	1	FRONT UPPER CROSS MEMBER
16	166357	1	FRONT LOWER CROSS MEMBER
			-Not as spare part-
			-Replaced by 183816-
16	183816	1	FRONT LOWER CROSS MEMBER
17	65393500	1	TRUNK COMPARTMENT FRONT WALL
18	166291	1	R.H. FRONT REINFORCEMENT
19	166191	1	L.H. FRONT REINFORCEMENT
20	177466	1	L.H. BRACKET
			-Not as spare part-
			-Replaced by 66395411-
20	66395411	1	L.H. BRACKET
20	177467	1	R.H. BRACKET
			-Not as spare part-
			-Replaced by 66395511-
20	66395511	1	R.H. BRACKET
21	166170	1	L.H. BRACKET FOR FRONT BUMPER FIXING
21	166270	1	R.H. BRACKET FOR FRONT BUMPER FIXING
22	65152700	1	R.H. FRONT SIDE WALL
23	65152800	1	L.H. FRONT SIDE WALL
24	175738	1	R.H. PLATE

24	179433	1	-Not for GD- R.H. PLATE
25	175737	1	-Valid for GD- L.H. PLATE
25	179432	1	-Not for GD- L.H. PLATE
26	65941600	1	-Valid for GD- COMPLETE R.H. DOOR PILLAR
26	67385900	1	-Valid till car Nr. 127704- COMPLETE R.H. DOOR PILLAR
27	65941700	1	-Valid from car Nr. 127705- COMPLETE L.H. DOOR PILLAR
27	67385800	1	-Valid till car Nr. 127704- COMPLETE L.H. DOOR PILLAR
28	64768200	1	-Valid from car Nr. 127705- COMPLETE FRONT R.H. PILLAR
29	64768300	1	-Valid till car Nr. 127704- COMPLETE FRONT L.H. PILLAR
30	166207	1	-Valid till car Nr. 127704- R.H. UPPER FRAME
31	166107	1	L.H. UPPER FRAME
32	166215	1	R.H. LOWER FRAME
33	166115	1	L.H. LOWER FRAME
34	66292200	-	STANDARD HEAD RIVET
34	66292300	-	HALF REPOTTED HEAD RIVET
35	65133800	-	RIVET L. 6,4 mm
36	15624211	-	ESAGONAL RIVET M4
36	15180411	-	BLIND ESAGONAL RIVET
36	15624511	-	ESAGONAL RIVET M8
36	15624411	-	ESAGONAL RIVET M6
36	15624311	-	ESAGONAL RIVET M5
37	65151200	-	RIVET M6
38	166101	-	RIVET M4
38	65135000	-	RIVET M8
38	65930400	-	RIVET M6
38	65319800	-	RIVET M8 BLIND
38	179299	-	RIVET M10 BLIND
39	65065400	-	STUD ESAGONAL HEAD M6
40	13836971	-	SCREW
41	166310	1	UNDER WINDSCREEN CROSS MEMBER
41	181310	1	-Not for GD- UNDER WINDSCREEN CROSS MEMBER
42	65160200	1	-Valid for GD- FRONT PILLAR R.H. UPPER CARPET SHIELD
43	65160300	1	-Valid till car Nr. 127704- FRONT PILLAR L.H. UPPER CARPET SHIELD
44	70000950	1	-Valid till car Nr. 127704- INSERTS KIT FOR REPAIR
45	166314	1	CROSS MEMBER
46	65013100	3	BRACKET FOR CONTROL UNITS FIXING

360 Modena - 103 - CENTRAL SIDE ELEMENTS AND PLATES

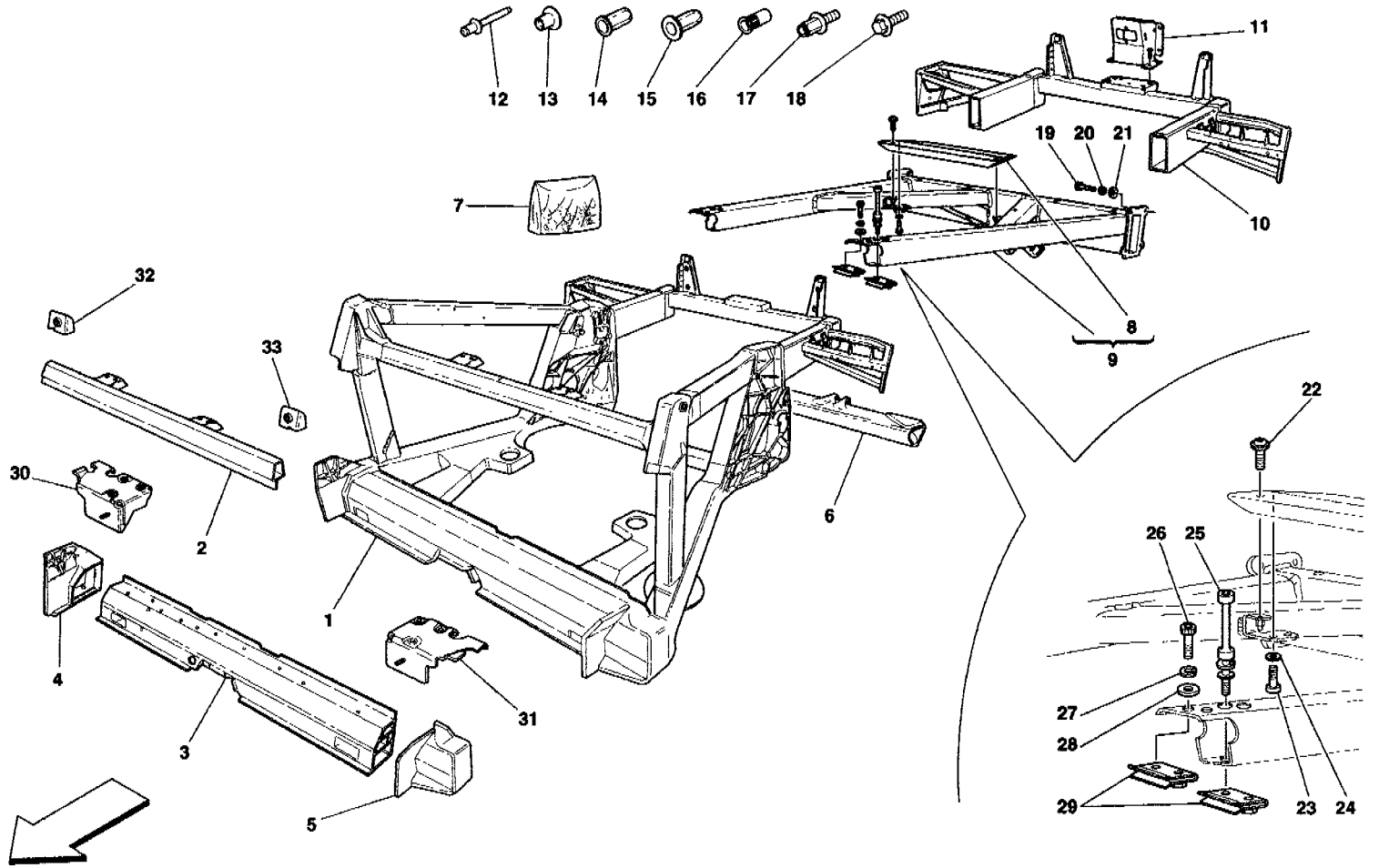


## 360 Modena - 103 - CENTRAL SIDE ELEMENTS AND PLATES

1	65942800	1	COMPLETE TUNNEL
2	65942600	1	COMPLETE R.H. LATERAL HALF FLOOR -Not for GD-
2	66451500	1	COMPLETE R.H. LATERAL HALF FLOOR -Valid for GD-
3	65942700	1	COMPLETE L.H. LATERAL HALF FLOOR -Not for GD-
3	66451600	1	COMPLETE L.H. LATERAL HALF FLOOR -Valid for GD-
4	6166250	1	R.H. FRONT CROSS MEMBER
5	6166251	1	R.H. REAR CROSS MEMBER
6	6166150	1	L.H. FRONT CROSS MEMBER
7	6166151	1	L.H. REAR CROSS MEMBER
8	65940900	1	R.H. LATERAL REAR CROSSMEMBAR -Valid till car Nr. 127704-
8	67411000	1	R.H. LATERAL REAR CROSSMEMBAR -Valid from car Nr. 127705-
9	65941000	1	L.H. LATERAL REAR CROSSMEMBAR -Valid till car Nr. 127704-
9	67411200	1	L.H. LATERAL REAR CROSSMEMBAR -Valid from car Nr. 127705-
10	166232	1	R.H. REINFORCEMENT FRAME
11	166132	1	L.H. REINFORCEMENT FRAME
12	65942400	1	R.H. CROSSMEMBER -Valid till car Nr. 127704-
12	67386100	1	R.H. CROSSMEMBER -Valid from car Nr. 127705-
13	181981	-	CORE FOR REPAIR
14	65942500	1	L.H. CROSSMEMBER -Valid till car Nr. 127704-
14	67386000	1	L.H. CROSSMEMBER -Valid from car Nr. 127705-
15	166343	1	COMPLETE REAR SHIELD
16	64811000	1	R.H. REAR FIXING FRAME
17	64811100	1	L.H. REAR FIXING FRAME
18	65153400	1	R.H. FRONT SIDE MOLDING
19	65153500	1	L.H. FRONT SIDE MOLDING
20	65998100	1	R.H. REAR SIDE MOLDING
21	65998200	1	L.H. REAR SIDE MOLDING
22	64803900	1	R.H. REWINDER FIXING REINFORCEMENT -Not as spare part- -Replaced by 64804300-
22	64804300	1	R.H. REWINDER FIXING REINFORCEMENT
23	64804000	1	L.H. REWINDER FIXING REINFORCEMENT -Not as spare part- -Replaced by 64804400-
23	64804400	1	L.H. REWINDER FIXING REINFORCEMENT
24	64803500	1	R.H. LATERAL MOLDING
25	64803600	1	L.H. LATERAL MOLDING
26	181980	-	UPPER INNER CORE

27	181979	-	LOWER INNER CORE
28	177542	1	BRACKET FOR OIL RADIATOR
29	66292200	-	STANDARD HEAD RIVET
29	66292300	-	HALF REPOTTED HEAD RIVET
30	65133800	-	RIVET L. 6,4 mm
31	15624211	-	ESAGONAL RIVET M4
31	15180411	-	BLIND ESAGONAL RIVET
31	15624511	-	ESAGONAL RIVET M8
31	15624411	-	ESAGONAL RIVET M6
31	15624311	-	ESAGONAL RIVET M5
32	65151200	-	RIVET M6
33	166101	-	RIVET M4
33	65135000	-	RIVET M8
33	65930400	-	RIVET M6
33	65319800	-	RIVET M8 BLIND
33	179299	-	RIVET M10 BLIND
34	65065400	-	STUD ESAGONAL HEAD M6
35	13836971	-	SCREW
36	66464800	1	R.H. PANEL UPPER FRAME
37	66464900	1	L.H. PANEL UPPER FRAME
38	65386100	1	R.H. SUPPORT CENTRAL OVERLAP
39	65386200	1	L.H. SUPPORT CENTRAL OVERLAP
40	70000950	1	INSERTS KIT FOR REPAIR
41	182624	1	R.H. FUEL TANK PROTECTION PLATE
42	182623	1	L.H. FUEL TANK PROTECTION PLATE
43	65903600	1	R.H. STRIKER REINFORCEMENT
44	65903700	1	L.H. STRIKER REINFORCEMENT

360 Modena - 104 - FRAME - REAR ELEMENTS STRUCTURES AND PLATES



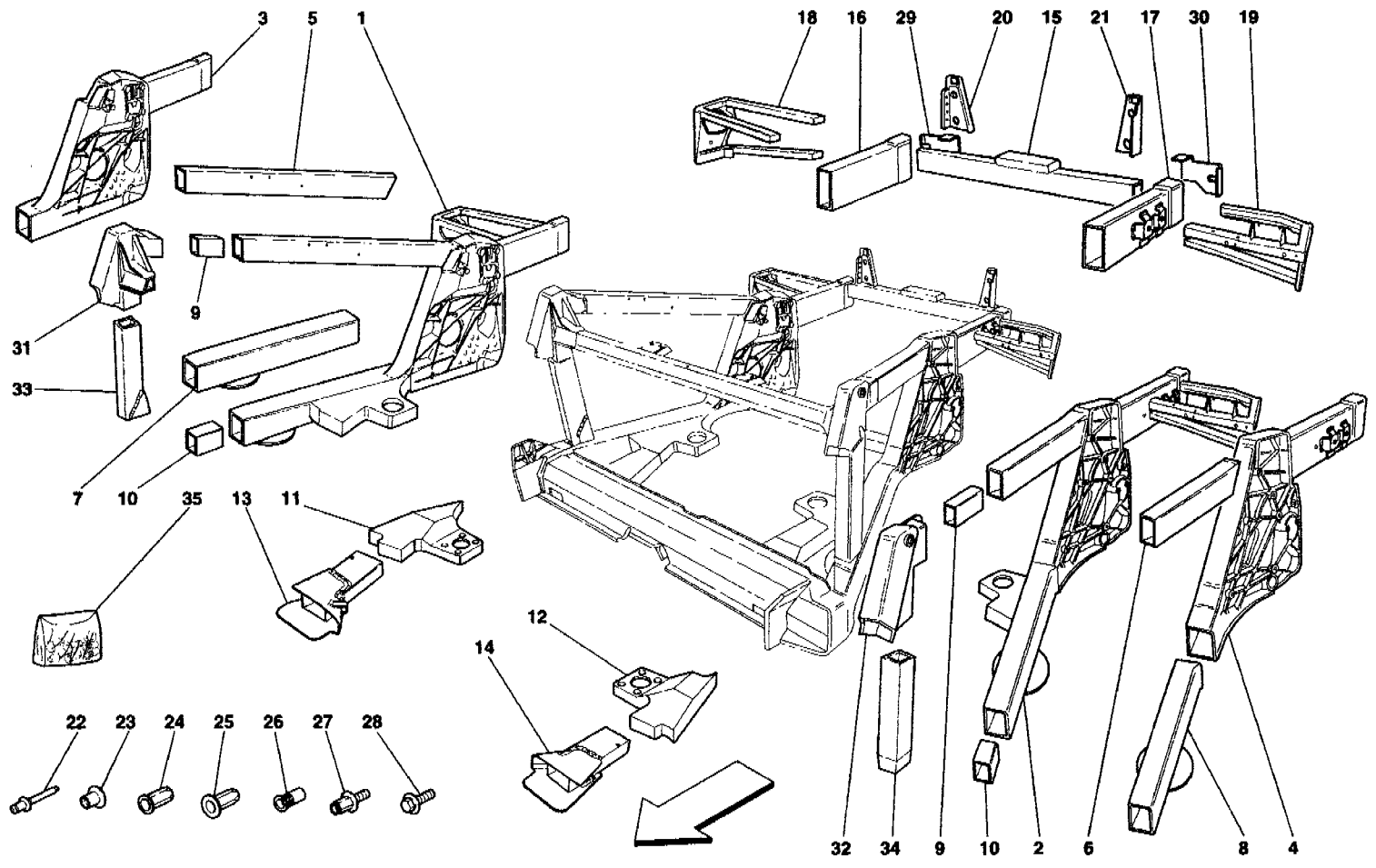


360 Modena - 104 - FRAME - REAR ELEMENTS STRUCTURES AND PLATES

1	65993500	1	COMPLETE REAR FRAME -Not as spare part-
1	66786800	1	-Replaced by 66786800- COMPLETE REAR FRAME -Not for USA and CDN-
1	66452900	1	-Valid till car Nr. 120068 for GS and 120193 for GD- COMPLETE REAR FRAME -Not for USA and CDN-
1	66451800	1	-Valid from car Nr. 120069 for GS and 120194 for GD- COMPLETE REAR FRAME -Valid for USA and CDN-
1	66453000	1	-Valid till car Nr. 120068- COMPLETE REAR FRAME -Valid for USA and CDN-
2	65943000	1	-Valid from car Nr. 120069- COMPLETE TAIL REAR WINDOW CROSSPIECE -Not for USA and CDN-
2	66451700	1	COMPLETE TAIL REAR WINDOW CROSSPIECE -Valid for USA and CDN-
3	65943100	1	REAR CROSS MEMBER
4	6166260	1	R.H. LOWER REAR CASTING -Valid till car Nr. 138027-
4	199984	1	R.H. LOWER REAR CASTING -Valid from car Nr. 138028-
5	6166160	1	L.H. LOWER REAR CASTING -Valid till car Nr. 138027-
5	199983	1	L.H. LOWER REAR CASTING -Valid from car Nr. 138028-
6	65993600	1	COMPLETE LOWER CROSS MEMBER
7	70000950	1	INSERTS KIT FOR REPAIR
8	166320	1	CROSS MEMBER
9	65943700	1	COMPLETE REAR REMOVIBLE FRAME
10	65942100	1	COMPLETE REAR FRAME
11	65756300	1	BRACKET FOR ENGINE HOOD BONNETLOCK
12	66292200	-	STANDARD HEAD RIVET
12	66292300	-	HALF REPOTTED HEAD RIVET
13	65133800	-	RIVET L. 6,4 mm
14	15624211	-	ESAGONAL RIVET M4
14	15180411	-	BLIND ESAGONAL RIVET
14	15624511	-	ESAGONAL RIVET M8
14	15624411	-	ESAGONAL RIVET M6
14	15624311	-	ESAGONAL RIVET M5
15	65151200	-	RIVET M6
16	166101	-	RIVET M4
16	65135000	-	RIVET M8
16	65930400	-	RIVET M6
16	65319800	-	RIVET M8 BLIND
16	179299	-	RIVET M10 BLIND
17	65065400	-	STUD ESAGONAL HEAD M6
18	13836971	-	SCREW
19	14306374	8	SCREW
20	127496	8	WASHER
21	10519601	8	WASHER
22	62940900	2	SCREW
23	13027024	4	SCREW
24	10523424	4	WASHER
25	183554	4	COMPLETE SCREW
26	13028734	4	SCREW
27	127496	4	WASHER
28	10519601	4	WASHER
29	179268	2	L.H. BRACKET

29	179269	2	R.H. BRACKET
30	66535600	1	R.H. BRACKET LOWER FIXING ROLL-BAR
			-Not as spare part-
			-Replaced by 65719100-
30	65719100	1	R.H. BRACKET LOWER FIXING ROLL-BAR
31	66535700	1	L.H. BRACKET LOWER FIXING ROLL-BAR
			-Not as spare part-
			-Replaced by 65719200-
31	65719200	1	L.H. BRACKET LOWER FIXING ROLL-BAR
32	65720500	1	R.H. BRACKET UPPER FIXING ROLL-BAR
33	65720600	1	L.H. BRACKET UPPER FIXING ROLL-BAR

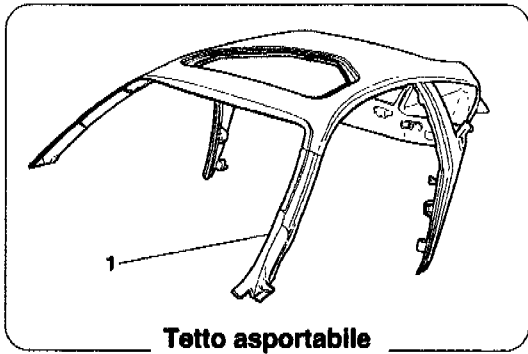
360 Modena - 105 - FRAME - REAR ELEMENTS SUB-GROUPS



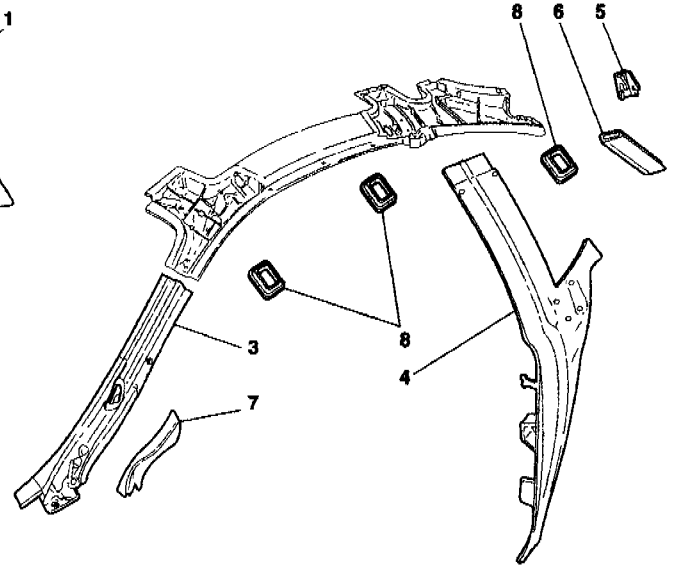
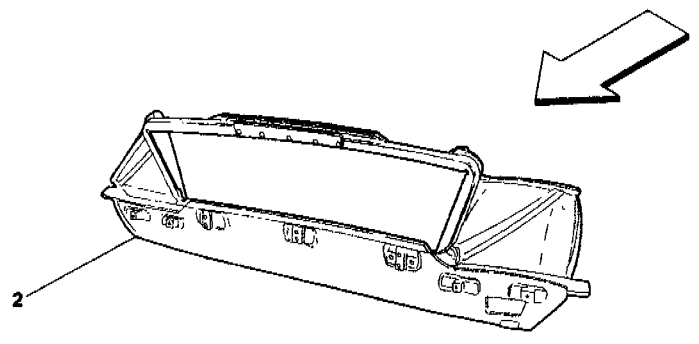
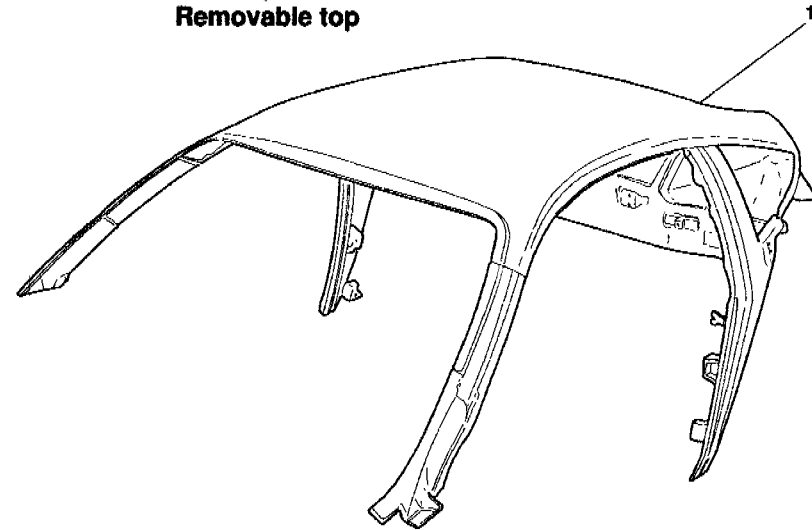
360 Modena - 105 - FRAME - REAR ELEMENTS SUB-GROUPS

1	66214900	1	COMPLETE R.H. SIDE FRAME -Valid till car Nr. 120068 for GS and 120193 for GD-
1	66453300	1	COMPLETE R.H. SIDE FRAME -Valid from car Nr. 120069 for GS and 120194 for GD-
2	66290100	1	COMPLETE L.H. SIDE FRAME -Valid till car Nr. 120068 for GS and 120193 for GD-
2	66453400	1	COMPLETE L.H. SIDE FRAME -Valid from car Nr. 120069 for GS and 120194 for GD-
3	65941800	1	R.H. REAR LATERAL CASTING -Valid till car Nr. 120068 for GS and 120193 for GD-
3	66453500	1	R.H. REAR LATERAL CASTING -Valid from car Nr. 120069 for GS and 120194 for GD-
4	65941900	1	L.H. REAR LATERAL CASTING -Valid till car Nr. 120068 for GS and 120193 for GD-
4	66453600	1	L.H. REAR LATERAL CASTING -Valid from car Nr. 120069 for GS and 120194 for GD-
5	166227	1	R.H. UPPER FRAME
6	166127	1	L.H. UPPER FRAME
7	166235	1	R.H. LOWER FRAME -Not as spare part- -Replaced by 66465000-
7	66465000	1	R.H. LOWER FRAME
8	166135	1	L.H. LOWER FRAME -Not as spare part- -Replaced by 66465100-
8	66465100	1	L.H. LOWER FRAME
9	181980	-	CORE FOR REPAIR
10	181979	-	CORE FOR REPAIR
11	166237	1	R.H. BRACKET ENGINE SUPPORT -Not as spare part- -Valid till car 120068 for GS and 120193for GD- -For cars with old solution replace with 6187237 + 6187137 to mount together-
11	6187237	1	R.H. BRACKET ENGINE SUPPORT -Valid from car Nr. 120069 for GS and 120194 for GD- -Valid till car Nr. 138027-
11	195208	1	R.H. BRACKET ENGINE SUPPORT -Valid from car Nr. 120069 for GS and 120194 for GD- -Valid from car Nr. 138028-
12	166137	1	L.H. BRACKET ENGINE SUPPORT -Not as spare part- -Valid till car Nr. 120068 for GS and 120193for GD- -For cars with old solution replace with 6187237 + 6187137 to mount together-
12	6187137	1	L.H. BRACKET ENGINE SUPPORT -Valid from car Nr. 120069 for GS and 120194 for GD-

12	195207	1	-Valid till car Nr. 138027- L.H. BRACKET ENGINE SUPPORT
13	65942200	1	-Valid from car Nr. 138028- R.H. SUPPORT FOR BRACKET
14	65942300	1	L.H. SUPPORT FOR BRACKET
15	183978	1	REAR BUMPER CROSS MEMBER
16	183834	1	R.H. REAR FRAME
17	183833	1	L.H. REAR FRAME
18	64810000	1	R.H. REAR FENDER FRAME
19	64810100	1	L.H. REAR FENDER FRAME
			-Not as spare part- -Replaced by 65995500-
19	65995500	1	L.H. REAR FENDER FRAME
20	65151600	1	R.H. SIDE BRACKET
			-Not as spare part- -Replaced by 65151611-
20	65151611	1	R.H. SIDE BRACKET
21	65151700	1	L.H. SIDE BRACKET
			-Not as spare part- -Replaced by 65151711-
21	65151711	1	L.H. SIDE BRACKET
22	66292200	-	STANDARD HEAD RIVET
22	66292300	-	HALF REPOTTED HEAD RIVET
23	65133800	-	RIVET L. 6,4 mm
24	15624211	-	ESAGONAL RIVET M4
24	15180411	-	BLIND ESAGONAL RIVET
24	15624511	-	ESAGONAL RIVET M8
24	15624411	-	ESAGONAL RIVET M6
24	15624311	-	ESAGONAL RIVET M5
25	65151200	-	RIVET M6
26	166101	-	RIVET M4
26	65135000	-	RIVET M8
26	65930400	-	RIVET M6
26	65319800	-	RIVET M8 BLIND
26	179299	-	RIVET M10 BLIND
27	65065400	-	STUD ESAGONAL HEAD M6
28	13836971	-	SCREW
29	166288	1	R.H. BRACKET
30	166188	1	L.H. BRACKET
31	6166261	1	R.H. UPPER FUSION REAR PILLAR
32	6166161	1	L.H. UPPER FUSION REAR PILLAR
33	66051200	1	COMPLETE R.H. REAR PANEL
34	66051100	1	COMPLETE L.H. REAR PANEL
35	70000950	1	INSERTS KIT FOR REPAIR



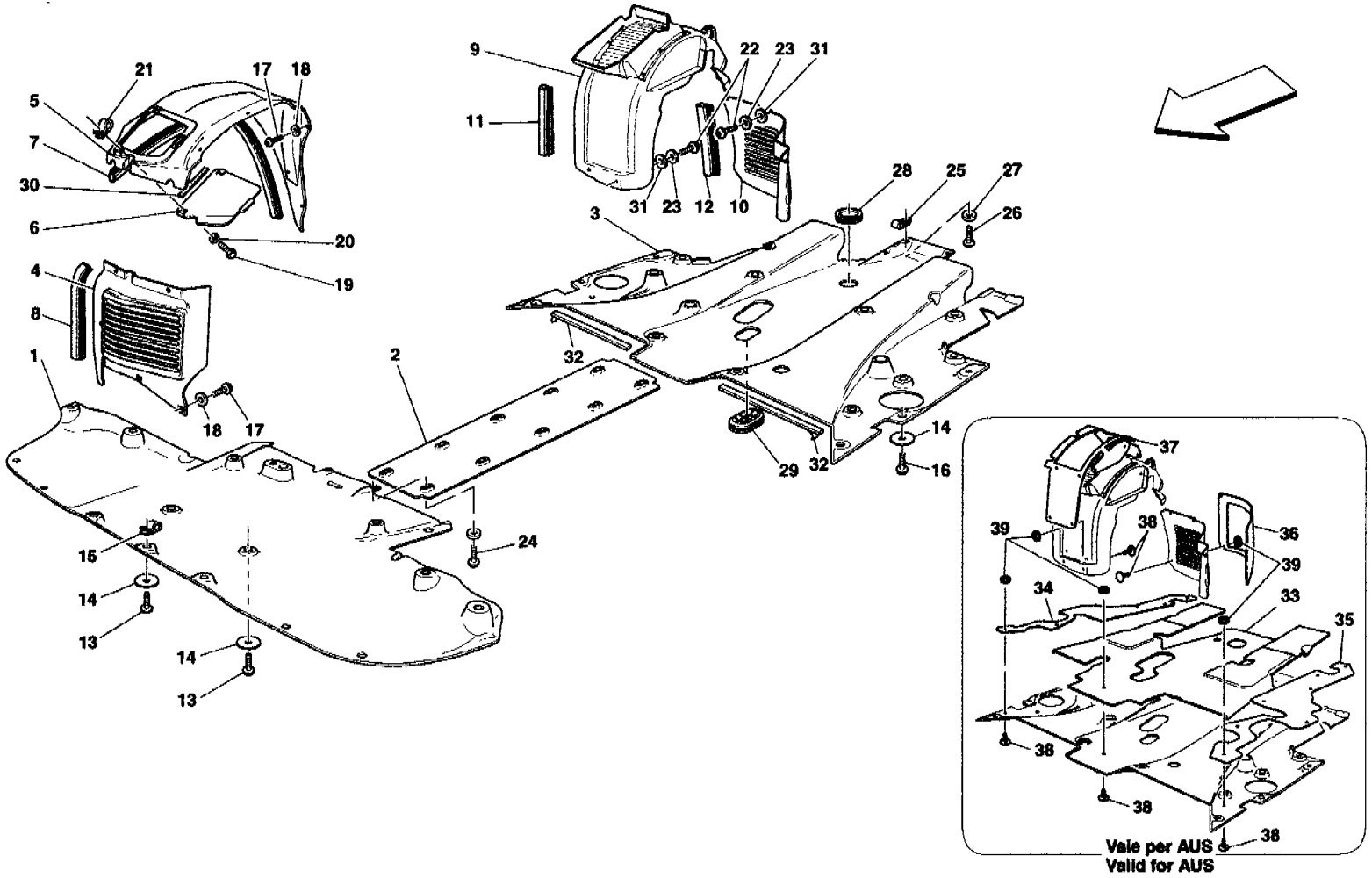
**Tetto asportabile**  
**Removable top**



360 Modena - 106 - ROOF - STRUCTURE

1	65703000	1	COMPLETE ROOF -Not for Removable Top cars-
1	65924100	1	COMPLETE ROOF -Valid for Removable Top cars-
2	64804500	1	REAR WINDOW MOULDING
3	65943500	1	L.H. SIDE MOLDING
3	65943400	1	R.H. SIDE MOLDING
4	65019700	1	L.H. CENTRAL PILLAR
4	65019600	1	R.H. CENTRAL PILLAR
5	64854300	1	BRACKET FOR L.H. PROP FIXING
5	64807900	1	BRACKET FOR R.H. PROP FIXING
6	65804100	1	COMPLETE L.H. REAR PANEL
6	65804000	1	COMPLETE R.H. REAR PANEL
7	65160200	1	UPPER FRONT PILLAR R.H. CARPET SHIELD
7	65160300	1	-Valid till car Nr. 127704- UPPER FRONT PILLAR L.H. CARPET SHIELD
8	65715200	6	-Valid till car Nr. 127704- PLUG

360 Modena - 107 - FLAT FLOOR PAN AND WHEELHOUSE

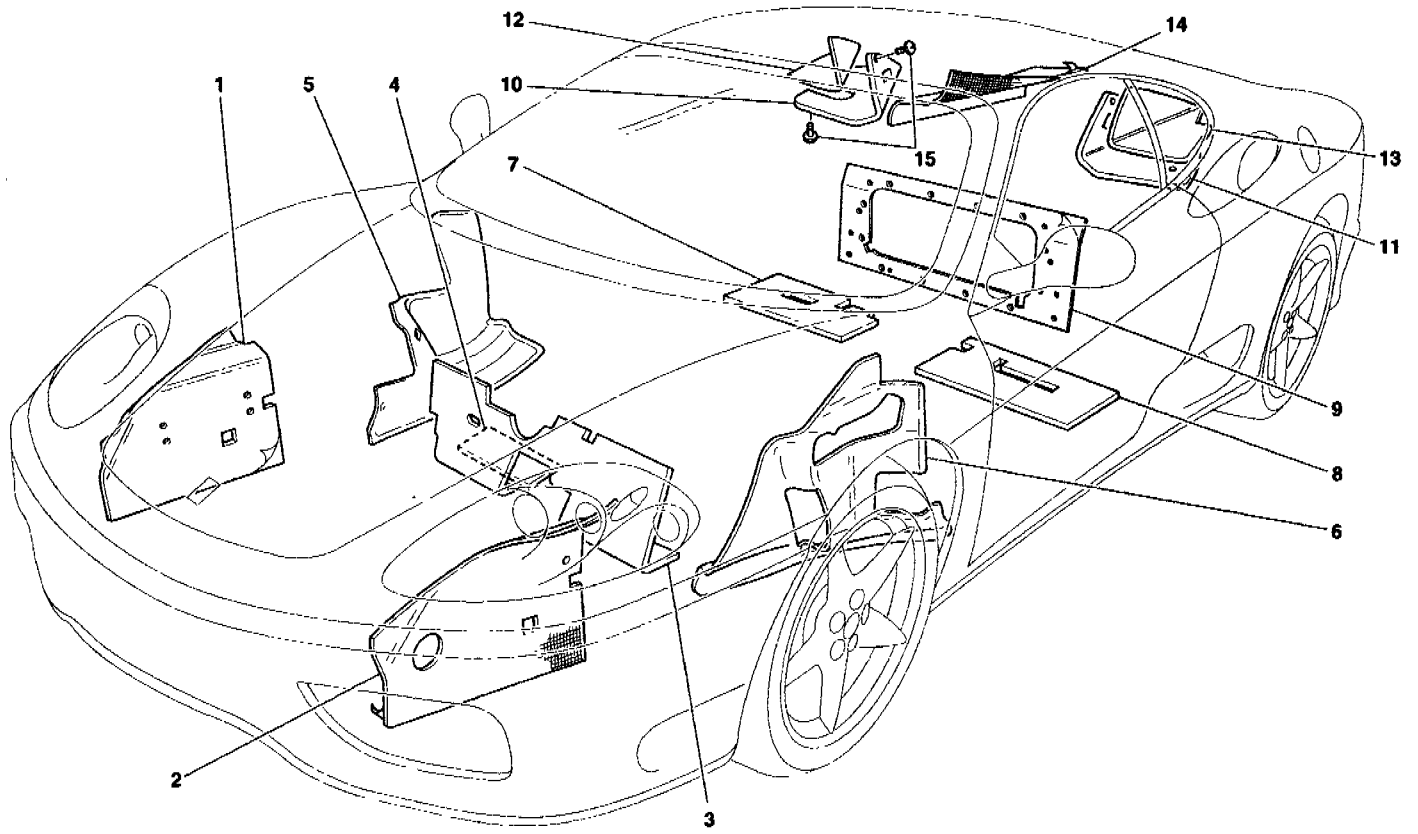




## 360 Modena - 107 - FLAT FLOOR PAN AND WHEELHOUSE

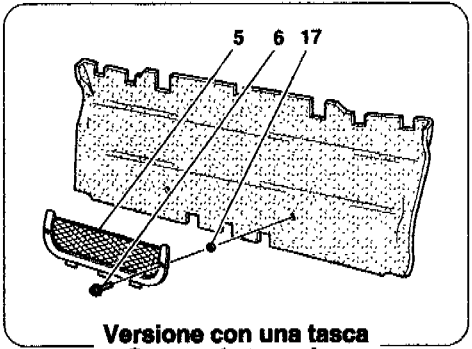
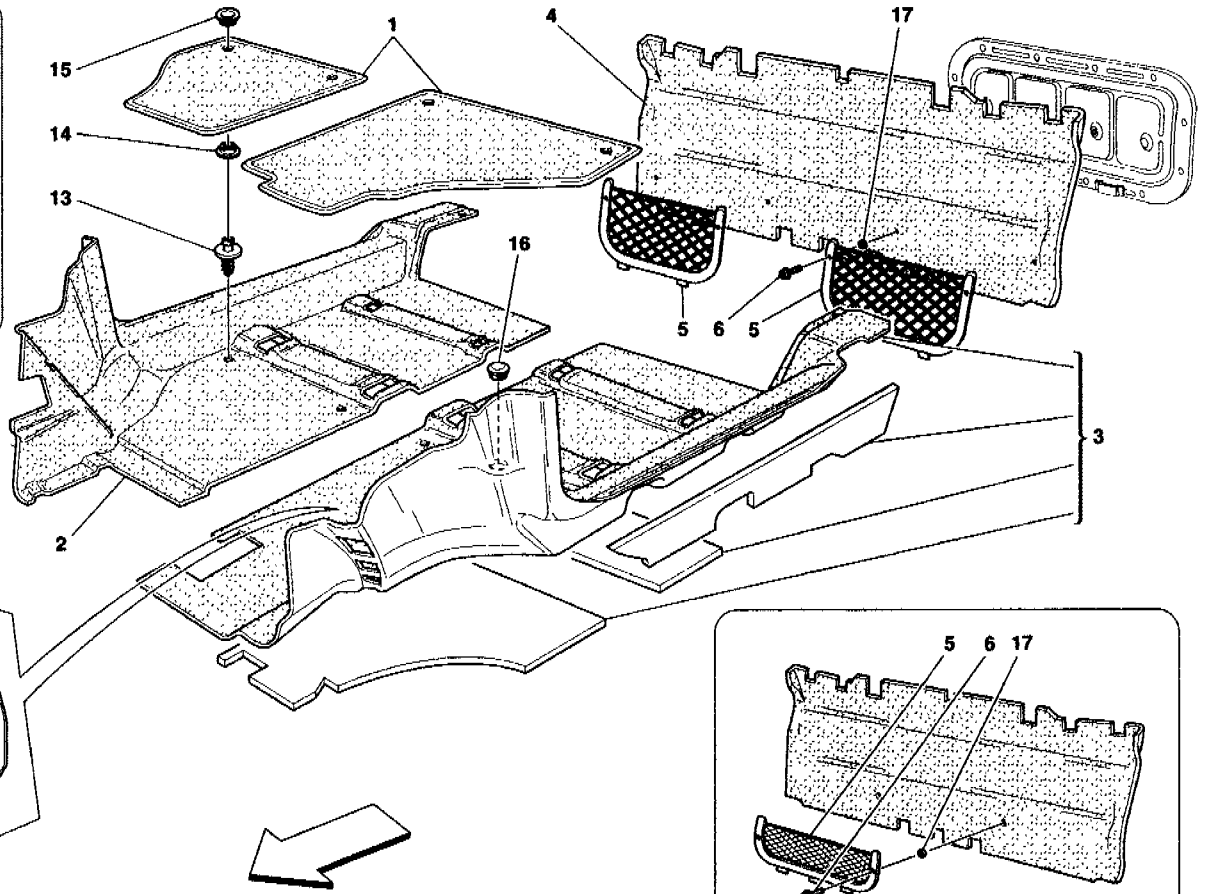
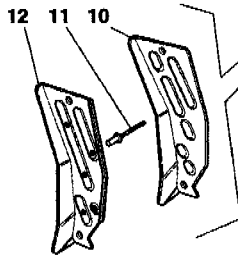
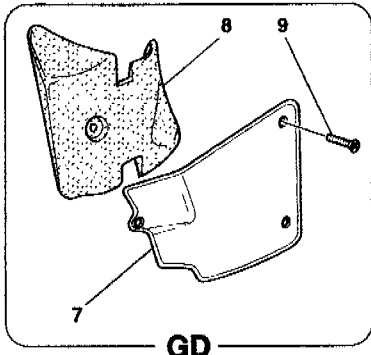
1	65512200	1	FRONT UNDER THE BODY SHELL SHIELD
2	65512100	1	CENTRAL UNDER THE BODY SHELL SHIELD
3	65512300	1	REAR UNDER THE BODY SHELL SHIELD
4	65872500	1	FRONT GRAVEL GUARD FOR R.H. FRONT WHEEL
4	65872600	1	FRONT GRAVEL GUARD FOR L.H. FRONT WHEEL
5	65536700	1	R.H. FRONT WHEELHOUSE OUTER CARPET SHIELD
5	65536800	1	L.H. FRONT WHEELHOUSE OUTER CARPET SHIELD
6	65522300	1	R.H. WHEELHOUSE DOOR
6	65522400	1	L.H. WHEELHOUSE DOOR
7	64857800	2	GASKET
8	64994500	2	GASKET
9	65060000	1	R.H. REAR WHEELHOUSE ASSEMBLY
9	65060100	1	-Front side- L.H. REAR WHEELHOUSE ASSEMBLY
10	63266100	1	-Front side- R.H. GRAVEL GUARD FOR REAR WHEEL
10	63266200	1	L.H. GRAVEL GUARD FOR REAR WHEEL
11	64865000	2	GASKET
12	64994700	2	GASKET
13	15644175	6	SCREW
14	12624977	20	WASHER
15	62767600	8	CLIP FOR SCREW
16	65377400	22	SCREW
17	14778418	10	SCREW
18	12643778	10	WASHER
19	10977887	4	SCREW
20	12638177	4	WASHER
21	60714300	4	CLIP FOR SCREW
22	13276477	18	SCREW
23	11197777	18	WASHER
24	65377400	10	SCREW
25	62767600	2	CLIP FOR SCREW
26	15644175	2	SCREW
27	60711900	2	WASHER
28	64783600	1	PROTECTION PLUG
29	62678500	1	PLUG FOR HOLE
30	66092500	2	ANTI-VIBRATION GASKET
31	12643724	18	WASHER
32	66307900	2	GASKET
33	68456100	1	CENTRAL INSULATION
34	68456200	1	-Valid from Nr.53911 for AUS- R.H. LATERAL INSULATION
35	68456300	1	-Valid from Nr.53911 for AUS- L.H. LATERAL INSULATION
36	68455900	1	-Valid from Nr.53911 for AUS- INSULATION FOR R.H. WHEEL PROTECTION
36	68456000	1	-Valid from Nr.53911 for AUS- INSULATION FOR L.H. WHEEL PROTECTION
37	68456400	1	-Valid from Nr.53911 for AUS- INSULATION FOR R.H. WHEEL HOUSE
37	68456500	1	-Valid from Nr.53911 for AUS- INSULATION FOR L.H. WHEEL HOUSE
			-Valid from Nr.53911 for AUS-

38	68484300	21	BUTTON
			-Valid from Nr.53911 for AUS-
39	68484400	21	FIXING CLIP
			-Valid from Nr.53911 for AUS-



360 Modena - 108 - INSULATIONS

1	65774500	1	OUTER FRONT R.H. INSULATION
2	65774400	1	OUTER FRONT L.H. INSULATION
3	65524200	1	DASH PANEL SIDE INSULATION -Not for GD-
3	65856600	1	DASH PANEL SIDE INSULATION -Valid for GD-
4	65390800	1	FRONT R.H. INSULATION UNDER BATTERY
5	65302900	1	FRONT R.H. WHEELHOUSE INSULATION -Not for GD-
5	67293100	1	FRONT R.H. WHEELHOUSE INSULATION -Valid for GD-
6	65303000	1	FRONT L.H. WHEELHOUSE INSULATION -Not for GD-
6	67293200	1	FRONT L.H. WHEELHOUSE INSULATION -Valid for GD-
7	65303100	1	UPPER REAR R.H. INSULATION FOR PLATFORM
8	65303200	1	UPPER REAR L.H. INSULATION FOR PLATFORM
9	65524300	1	MOTOR COMPARTMENT REAR SIDE INSULATION
10	65840800	1	MOTOR COMPARTMENT/FUEL TANK R.H. INSULATION
11	65840700	1	MOTOR COMPARTMENT/FUEL TANK L.H. INSULATION
12	65303300	1	R.H. SMALL PLANE INSULATION
13	65303400	1	L.H. SMALL PLANE INSULATION
14	65774600	1	R.H. REAR MUDGUARD INSULATION
15	66252500	6	BUTTON



Versione con una tasca  
One pocket version

360 Modena - 109 - PASSENGERS COMPARTMENT CARPETS

1	659958..	1	COMPLETE MOVABLE CARPETS KIT FOR COMFORT SEATS -Not for GD- -Not for Extinguisher cars-
1	661817..	1	COMPLETE MOVABLE CARPETS KIT FOR COMFORT SEATS -Valid for GD- -Not for Extinguisher cars-
1	663986..	1	COMPLETE MOVABLE CARPETS KIT FOR COMFORT SEATS -Not for GD- -Valid for Extinguisher cars-
1	663987..	1	COMPLETE MOVABLE CARPETS KIT FOR COMFORT SEATS -Valid for GD- -Valid for Extinguisher cars-
1	680301..	1	COMPLETE MOVABLE CARPETS KIT FOR COMFORT SEATS -With scuderia mark- -Not for GD- -Not for Extinguisher cars-
1	687032..	1	COMPLETE MOVABLE CARPETS KIT FOR COMFORT SEATS -With scuderia mark- -Valid for GD- -Not for Extinguisher cars-
1	661562..	1	COMPLETE MOVABLE CARPETS KIT FOR SPORTING SEATS -Not for GD- -Not for Extinguisher cars-
1	661818..	1	COMPLETE MOVABLE CARPETS KIT FOR SPORTING SEATS -Valid for GD- -Not for Extinguisher cars-
1	663988..	1	COMPLETE MOVABLE CARPETS KIT FOR SPORTING SEATS -Not for GD- -Valid for Extinguisher cars-
1	663989..	1	COMPLETE MOVABLE CARPETS KIT FOR SPORTIVI SEATS -Valid for GD- -Valid for Extinguisher cars-
2	633292..	1	COMPLETE R.H. FLOOR CARPET -Not for GD-
2	655417..	1	COMPLETE R.H. FLOOR CARPET -Valid for GD-
3	633293..	1	COMPLETE L.H. FLOOR CARPET -Not for GD-
3	655418..	1	COMPLETE L.H. FLOOR CARPET -Valid for GD-
4	650723..	1	COMPLETE REAR CARPET -Not for Roll-Bar and 4 points belts versions- -Not for USA and CDN- -Not for leather version- -One pocket version-
4	668420..	1	COMPLETE REAR CARPET -Not for Roll-Bar and 4 points belts versions- -Not for leather version- -Two pockets version-
4	660940..	1	COMPLETE REAR CARPET -Not for Roll-Bar and 4 points belts versions- -Not for USA and CDN- -Leather version- -One pocket version-
4	668421..	1	COMPLETE REAR CARPET -Not for Roll-Bar and 4 points belts versions-

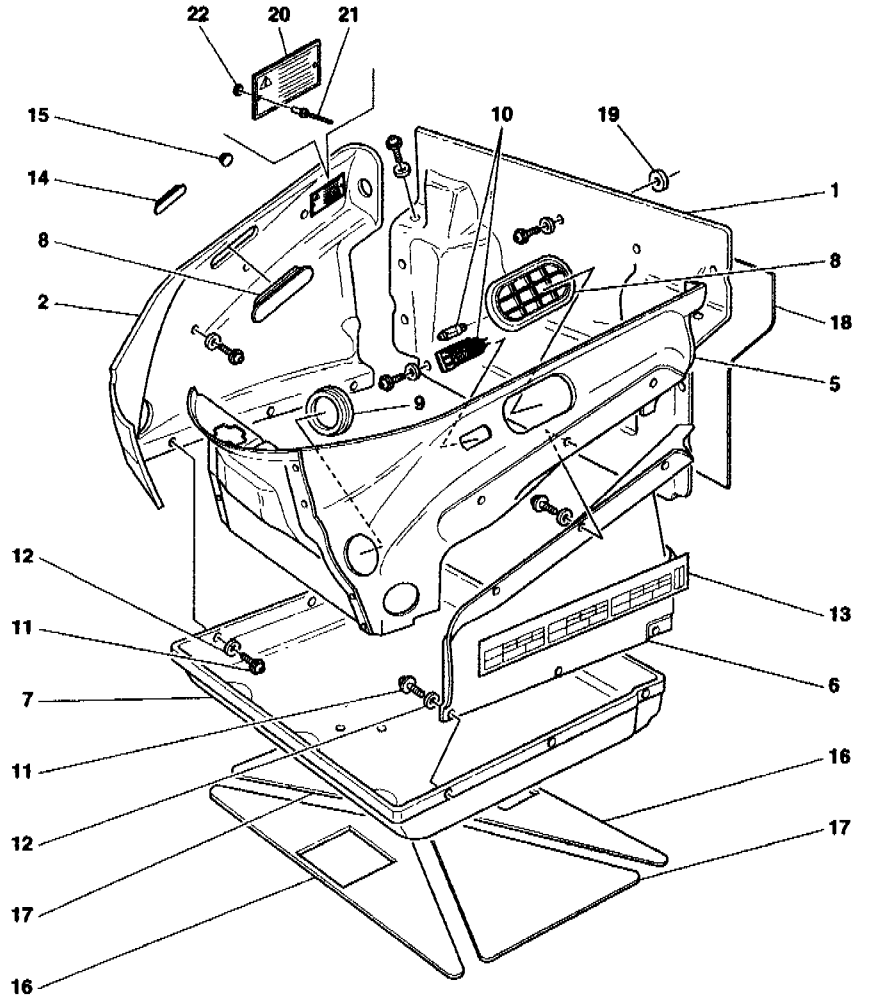
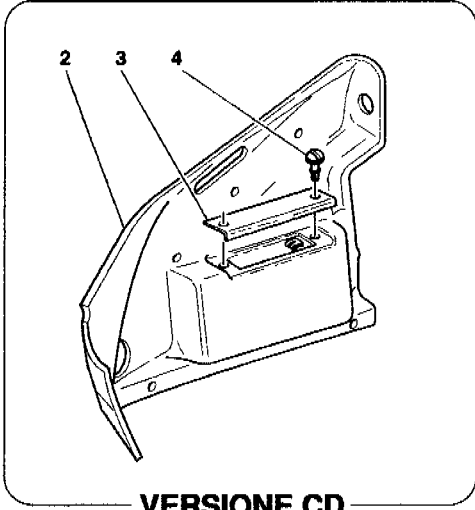
4	661547..	1	-Leather version- -Two pockets version- COMPLETE REAR CARPET -Not for Roll-Bar and 4 points belts versions- -Valid for USA and CDN- -Not for leather version-
4	661549..	1	-One pocket version- COMPLETE REAR CARPET -Not for Roll-Bar and 4 points belts versions- -Valid for USA and CDN- -Leather version-
4	660770..	1	-One pocket version- COMPLETE REAR CARPET -Valid for Roll-Bar version- -Not for USA, CDN and AUS- -Not for leather version-
4	668417..	1	-One pocket version- COMPLETE REAR CARPET -Valid for Roll-Bar version- -Not for USA, CDN and AUS- -Not for leather version-
4	660944..	1	-Two pockets version- COMPLETE REAR CARPET -Valid for Roll-Bar version- -Not for USA, CDN and AUS- -Leather version-
4	668422..	1	-One pocket version- COMPLETE REAR CARPET -Valid for Roll-Bar version- -Not for USA, CDN and AUS- -Leather version-
4	660771..	1	-Two pockets version- COMPLETE REAR CARPET -Valid for 4 points belts version- -Not for USA, CDN, AUS and J- -Not for leather version-
4	668418..	1	-One pocket version- COMPLETE REAR CARPET -Valid for 4 points belts version- -Not for USA, CDN, AUS and J- -Not for leather version-
4	660945..	1	-Two pockets version- COMPLETE REAR CARPET -Valid for 4 points belts version- -Not for USA, CDN, AUS and J- -Leather version-
4	668423..	1	-One pocket version- COMPLETE REAR CARPET -Valid for 4 points belts version- -Not for USA, CDN, AUS and J- -Leather version-
4	660772..	1	-Two pockets version- COMPLETE REAR CARPET -Valid for Roll-Bar and 4 points belts versions- -Not for USA, CDN, AUS and J- -Not for leather version-
4	668419..	1	-One pocket version- COMPLETE REAR CARPET -Valid for Roll-Bar and 4 points belts versions- -Not for USA, CDN, AUS and J- -Not for leather version-
4	660946..	1	-Two pockets version- COMPLETE REAR CARPET -Valid for Roll-Bar and 4 points belts versions- -Not for USA, CDN, AUS and J- -Leather version-
4	668424..	1	-One pocket version- COMPLETE REAR CARPET -Valid for Roll-Bar and 4 points belts versions- -Not for USA, CDN, AUS and J-

5	66481600	1	-Leather version- -Two pockets version- SEAT BACK POCKET
5	655370..	1	-Not for leather version- -One pocket version- SEAT BACK POCKET
5	66761900	2	-Leather version- -One pocket version- SEAT BACK POCKET
5	662906..	2	-Not for leather version- -Two pockets version- SEAT BACK POCKET
6	168133	4	-Leather version- -Two pockets version- SCREW
7	65716900	1	-Q.ty 2 for one pocket version- ACCELERATOR PEDAL PROTECTION
8	65973300	1	-Valid for GD- R.H. WHEELHOUSE CARPER FILLER
9	13301470	3	-Valid for GD- SCREW
10	65628900	1	-Valid for GD- SLAB FOR DRIVER SIDE FOOT REST
11	14642291	5	-Not for GD- RIVET
12	65524100	1	-Not for GD- DRIVER SIDE FOOT REST
13	66233300	4	-Not for GD- THREADED PLUG
14	66233200	4	LOWER RING
15	66233100	4	UPPER RING
16	14507987	1	PLUG
17	65708600	4	BUSHING

-Q.ty 2 for one pocket version-

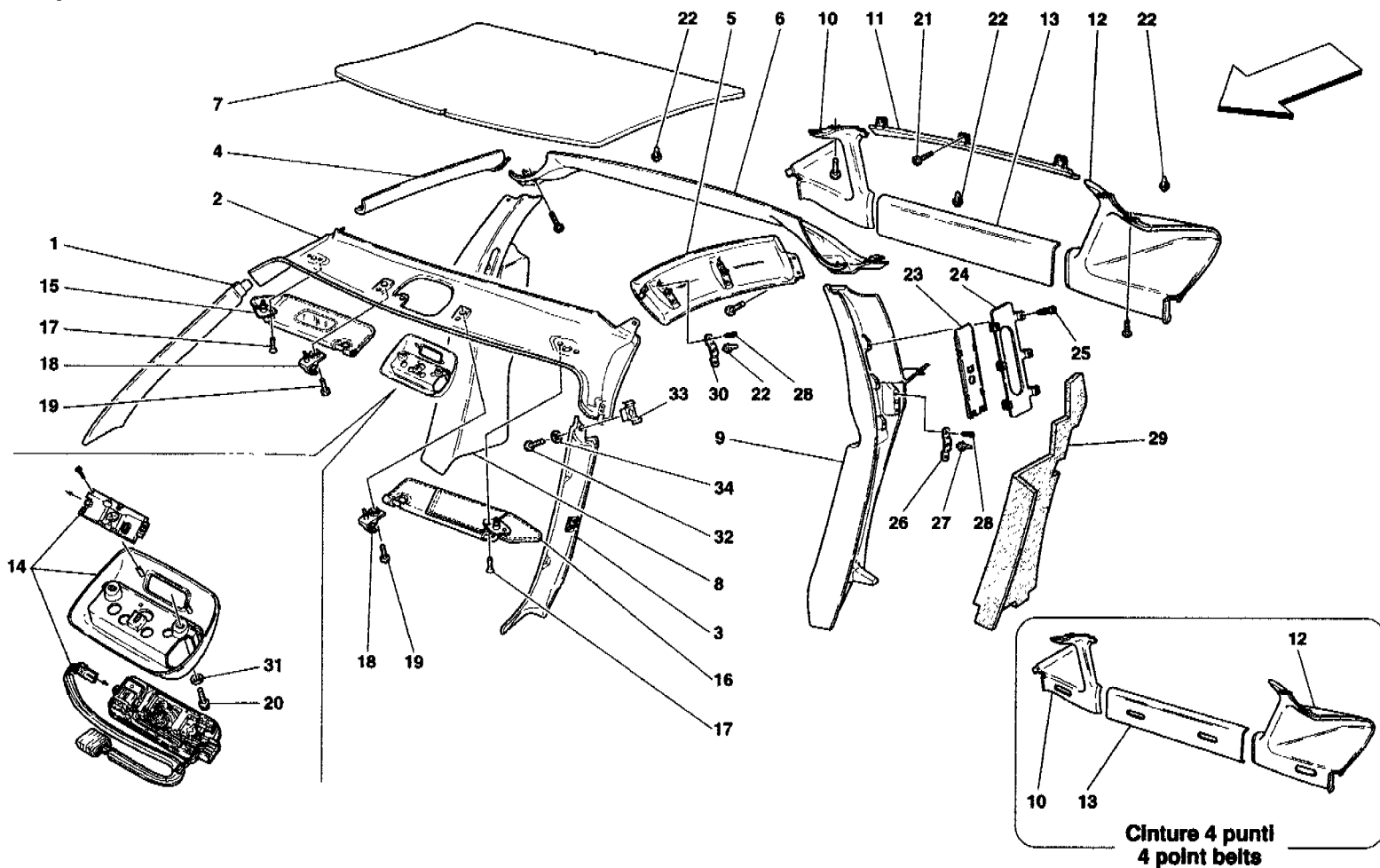
For particular colour matchings, make order by Fax or E-m@il, specifying serial number. - See "INNER TRIMS CAR CODES" table for codes of parts covered in leather or moquette.





360 Modena - 110 - FRONT COMPARTMENT TRIMS

1	65060500	1	TRUNK COMPARTMENT REAR PANEL
2	65301500	1	R.H. SIDE CARPET TRUNK COMPARTMENT
2	65527100	1	-Valid for cars without CD charger- R.H. SIDE CARPET TRUNK COMPARTMENT
3	65544200	1	-Valid for cars with CD charger- CD CHARGER DOOR
4	65970500	2	-Valid for cars with CD charger- BUTTON WITH PIN
5	65524400	1	-Valid for cars with CD charger- L.H. SIDE CARPET
6	65301600	1	TRUNK COMPARTMENT COVER FOR CONTROL UNIT
7	65301400	1	INSPECTION TRUNK COMPARTMENT BOTTOM CARPET
8	62678500	2	PLUG
9	63965800	4	PLUG
10	139517	1	DOME LAMP
11	65933600	11	SCREW -L=20mm- -Not as spare part- -Replaced by 66091000-
11	66091000	11	SCREW -L=25mm-
11	65933500	10	SCREW -L=15mm-
12	65841100	11	WASHER -Th=2,5mm-
12	65545900	10	WASHER -Th=0,5mm-
13	168849	1	RELAYS AND FUSES NAMEPLATE
14	65715100	2	PLUG
15	14567487	2	PLUG
16	65527000	2	INSULATION
17	65528500	2	INSULATION
18	66212900	1	WATER PROTECTION CLOTH
19	65841100	11	WASHER
20	201280	1	PLATE FOR BATTERY CUT-OUT -Valid from Ass. Nr.50514-
21	14641492	2	RIVET -Valid from Ass. Nr.50514-
22	14498501	2	WASHER -Valid from Ass. Nr.50514-



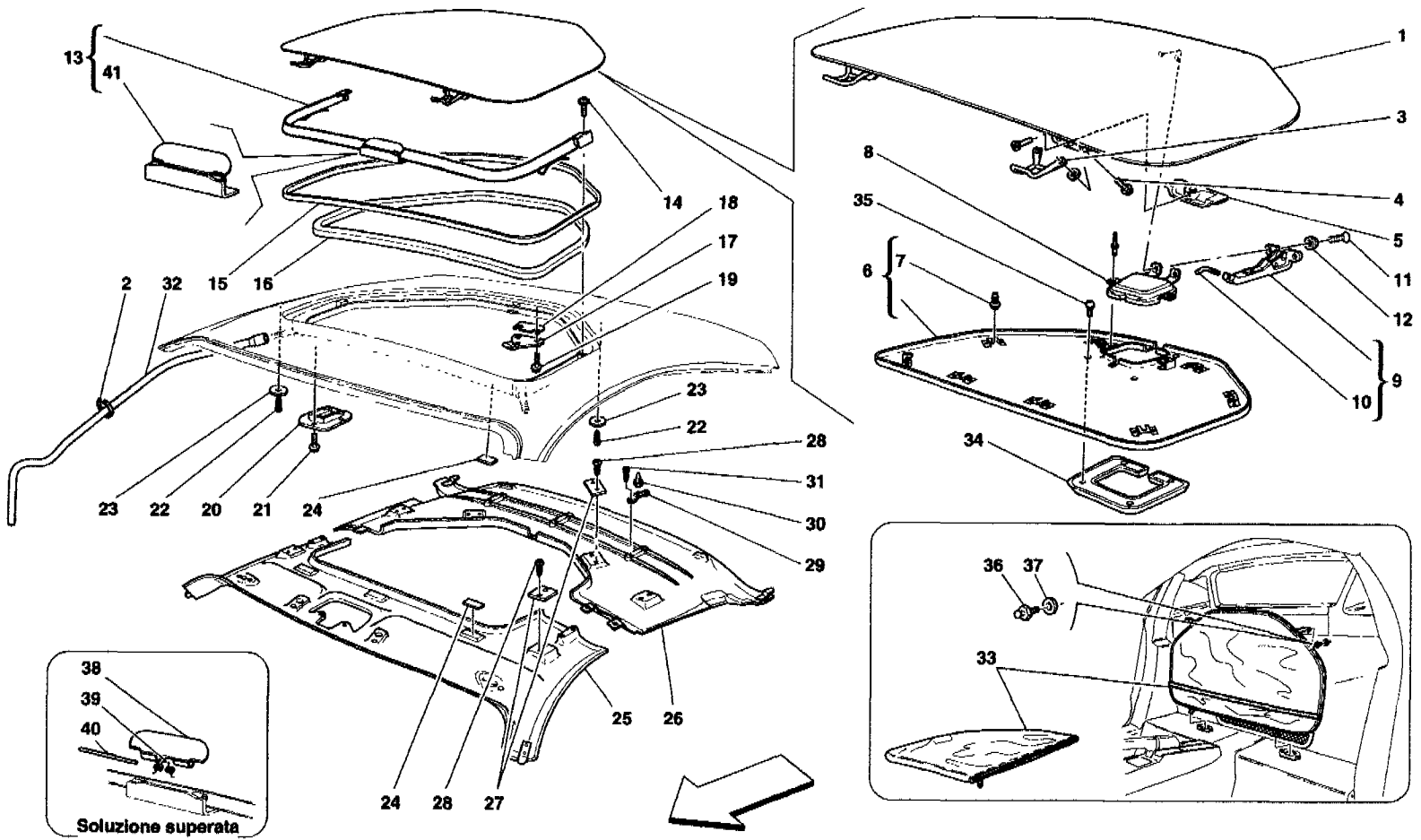
360 Modena - 111 - ROOF PANEL UPHOLSTERY AND ACCESSORIES

1	658849..	1	COMPLETE R.H. PILLAR COVER -Not for USA and CDN-
1	658675..	1	COMPLETE R.H. PILLAR COVER -Valid for USA and CDN- -Not as spare part- -Replaced by 664809..-
1	664809..	1	COMPLETE R.H. PILLAR COVER -Valid for USA and CDN-
1	640157..	1	LINING -Not for USA and CDN-
1	658677..	1	LINING -Valid for USA and CDN-
2	635973..	1	WINDSCREEN UPPER COVER -Not for USA and CDN-
2	658671..	1	WINDSCREEN UPPER COVER -Valid for USA and CDN-
2	640154..	1	LINING -Not for USA and CDN-
2	658673..	1	LINING -Valid for USA and CDN-
3	658852..	1	COMPLETE L.H. PILLAR COVER -Not for USA and CDN-
3	658679..	1	COMPLETE L.H. PILLAR COVER -Valid for USA and CDN-
3	640160..	1	LINING -Not for USA and CDN-
3	658681..	1	LINING -Valid for USA and CDN-
4	650725..	1	COMPLETE R.H. SIDE RAIL COVER -Not for USA and CDN-
4	658683..	1	COMPLETE R.H. SIDE RAIL COVER -Valid for USA and CDN-
4	650727..	1	LINING -Not for USA and CDN-
4	658686..	1	LINING -Valid for USA and CDN-
5	650729..	1	COMPLETE L.H. SIDE RAIL COVER -Not for USA and CDN-
5	658688..	1	COMPLETE L.H. SIDE RAIL COVER -Valid for USA and CDN-
5	650731..	1	LINING -Not for USA and CDN-
5	658691..	1	LINING -Valid for USA and CDN-
6	655257..	1	COMPLETE REAR ROOF COVER -Not for USA and CDN-
6	658702..	1	COMPLETE REAR ROOF COVER -Valid for USA and CDN-
6	640170..	1	LINING -Not for USA and CDN-
6	658706..	1	LINING -Valid for USA and CDN-
7	636993..	1	COMPLETE UPHOLSTERY -CLOTH- -Not for Removable Top cars-
7	658955..	1	COMPLETE UPHOLSTERY -LEATHER- -Not for Removable Top cars-
8	650694..	1	COMPLETE R.H. CENTRAL PILLAR COVER

8	660964..	1	-Valid till Ass. Nr. 34447- -Not for 4 point belts cars- COMPLETE R.H. CENTRAL PILLAR COVER
8	660976..	1	-Not for USA and CDN- -Valid from Ass. Nr. 34448- -Not for 4 point belts cars- COMPLETE R.H. CENTRAL PILLAR COVER
8	660967..	1	-Valid for USA and CDN- -Not for 4 point belts cars- COMPLETE R.H. CENTRAL PILLAR COVER
8	650697..	1	-Valid for 4 point belts cars- LINING
8	658697..	1	-Not for USA and CDN- LINING
8	657239..	1	-Valid for USA and CDN- LINING
9	650700..	1	-Valid for 4 point belts cars- COMPLETE L.H. CENTRAL PILLAR COVER
9	660970..	1	-Not for USA and CDN- -Valid till Ass. Nr. 34447- -Not for 4 point belts cars- COMPLETE L.H. CENTRAL PILLAR COVER
9	658698..	1	-Not for USA and CDN- -Valid from Ass. Nr. 34448- -Not for 4 point belts cars- COMPLETE L.H. CENTRAL PILLAR COVER
9	660979..	1	-Valid for USA and CDN- -Valid till Ass. Nr. 34447- -Not for 4 point belts cars- COMPLETE L.H. CENTRAL PILLAR COVER
9	660973..	1	-Valid from Ass. Nr. 34448- -Not for 4 point belts cars- COMPLETE L.H. CENTRAL PILLAR COVER
9	650703..	1	-Valid for 4 point belts cars- LINING
9	658701..	1	-Not for USA and CDN- LINING
9	657240..	1	-Valid for USA and CDN- LINING
10	635809..	1	-Valid for 4 point belts cars- COMPLETE R.H. REAR WINDOW COVER
10	657225..	1	-Not for 4 point belts cars- COMPLETE R.H. REAR WINDOW COVER
10	632706..	1	-Valid for 4 point belts cars- LINING
11	650733..	1	COMPLETE REAR OVER-WINDOW CROSSMEMBER
11	650735..	1	LINING
12	635810..	1	COMPLETE L.H. REAR WINDOW COVER
12	657226..	1	-Not for 4 point belts cars- COMPLETE L.H. REAR WINDOW COVER
12	632701..	1	-Valid for 4 point belts cars- LINING
13	635808..	1	COMPLETE REAR UNDER-WINDOW CROSSMEMBER
13	657220..	1	-Not for 4 point belts cars- COMPLETE REAR UNDER-WINDOW

			CROSSMEMBER
			-Valid for 4 point belts cars-
13	632703..	1	LINING
14	65520600	1	COMPLETE DOME LAMP
			-Valid till stock exhaustion-
14	66398400	1	COMPLETE DOME LAMP
			-Valid after stock exhaustion of 65520600-
15	658729..	1	COMPLETE R.H. SUN SCREEN
			-Not for GD-
15	658794..	1	COMPLETE R.H. SUN SCREEN
			-Valid for GD-
16	658728..	1	COMPLETE L.H. SUN SCREEN
			-Not for GD-
16	658792..	1	COMPLETE L.H. SUN SCREEN
			-Valid for GD-
17	13309477	4	SCREW
18	65151500	2	CENTRAL BRACKET
19	13274277	2	SCREW
20	64830600	3	SCREW
21	64830600	13	SCREW
22	14186880	16	RETAINER
23	65070800	2	PLATE
24	65069800	2	BRACKET
25	15901501	12	SCREW
26	66092200	8	FIXING PLATE
27	66092400	8	PLUG
28	16082901	24	SCREW
29	65391200	1	L.H. INSULATION
29	65391100	1	R.H. INSULATION
30	65069900	4	FIXING PLATE
31	12643778	3	WASHER
32	64830600	6	SCREW
33	14648490	6	NUT WITH CAGE
34	12643778	6	WASHER

For particular colour matchings, make order by Fax or E-m@il, specifying serial number. - See "INNER TRIMS CAR CODES" table for codes of parts covered in leather or moquette.



38  
39  
40  
**Soluzione superata**  
**Old solution**

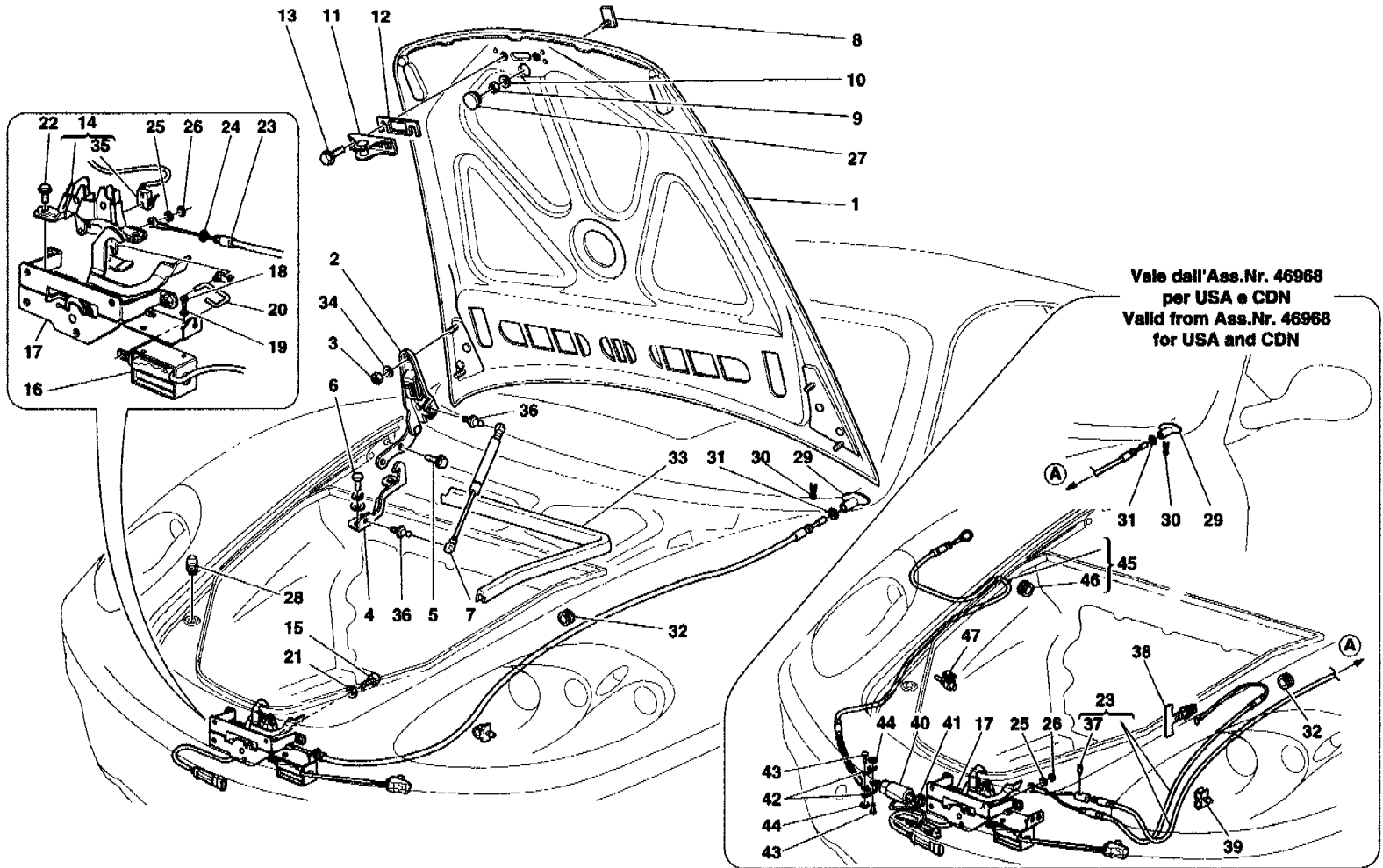
360 Modena - 112 - REMOVABLE TOP

1	65726211	1	SHEETED COMPLETE REMOVABLE TOP
2	10175090	2	CLAMP -Not as spare part- -Replaced by 13000390-
2	13000390	2	CLAMP
3	65970200	2	TOP HOOK
4	13835814	4	SCREW
5	65737000	2	TOP HOOK COVER
6	659348..	1	COMPLETE COVER
7	14591687	8	FIXING BUTTON
8	65736600	1	PLATE
9	66303200	1	COMPLETE ROOF HANDLE
10	65914400	1	PIN FASTENING -Not as spare part- -With complete handle-
11	66078500	2	SCREW
12	66078600	2	WASHER
13	65738400	1	COMPLETE SPOILER
14	16285924	2	SCREW -Not as spare part- -Replaced by 66294400-
14	66294400	2	SCREW
15	65934500	1	OUTER GASKET
16	65934300	1	INNER GASKET -Not as spare part replaced by 66232800-
16	66232800	1	INNER GASKET
17	65736500	1	STRIKER
18	65738900	-	PLATE -Th. 0,5mm- -Possible fitting-
18	65738800	-	PLATE -Th. 1,0mm- -Possible fitting-
19	65377400	2	SCREW
20	65737200	2	GUIDE SHOE
21	65377400	6	SCREW
22	15902670	4	SCREW
22	10374811	2	SCREW -Not as spare part- -Replaced by 13299116-
22	13299116	2	SCREW
23	65728300	6	WASHER
24	65728200	6	SMALL PLATE
25	657251..	1	COMPLETE FRONT UPHOLSTERY
26	657247..	1	COMPLETE REAR UPHOLSTERY
27	65728400	8	SMALL PLATE
28	15957201	16	SCREW
29	65069900	3	PLATE
30	14186880	3	RETAINER
31	16082901	6	SCREW
32	66052100	2	WATER EXHAUST TUBE
33	65729600	1	PORTFOLIO
34	66303500	1	PROTECTION MOULDING
35	65212000	4	SCREW
36	63992200	2	SCREW TAP
37	12624177	2	WASHER
38	66184700	1	FIN -Not as spare part- -Replaced by 66184600-
39	66184900	1	SPRING -Not as spare part- -Replaced by 66184600-
40	66200000	1	PIN -Not as spare part- -Replaced by 66184600-
41	66184600	1	COMPLETE AIR DEFLECTOR

For particular colour matchings, make order by Fax or E-m@il, specifying serial number. - See "INNER TRIMS CAR CODES" table for codes of parts covered in leather or moquette.



360 Modena - 113 - FRONT HOOD AND OPENING DEVICE

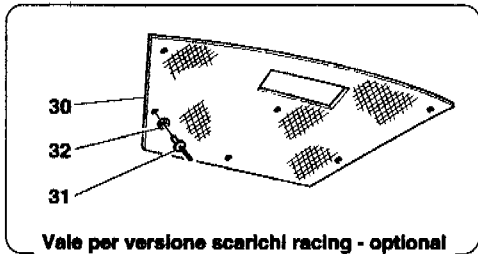


## 360 Modena - 113 - FRONT HOOD AND OPENING DEVICE

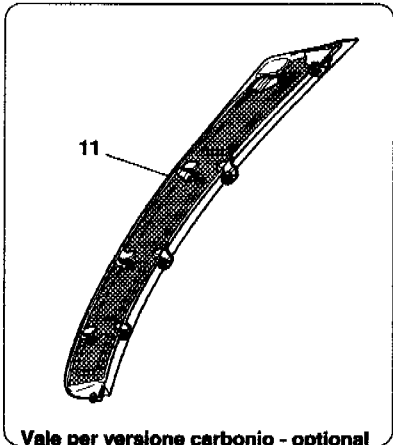
1	65313100	1	SHEETED COMPLETE FRONT HOOD BONNET
2	65712200	1	COMPLETE R.H. HINGE
2	65712300	1	COMPLETE L.H. HINGE
3	14059311	4	NUT -Not as spare part- -Replaced by 13832211 + 14496525-
3	13832211	4	NUT
4	65710600	1	R.H. BRACKET
4	65710700	1	L.H. BRACKET
5	16287124	4	SCREW
6	16287127	4	SCREW
7	63701800	2	SHOCK ABSORBER FOR HOOD SUPPORT -Including pins- -Not as spare part replaced by 65940000-
7	65940000	2	SHOCK ABSORBER FOR HOOD SUPPORT -Including pins- -Valid till stock exhaustion-
7	67508100	2	SHOCK ABSORBER FOR HOOD SUPPORT -Valid after stock exhaustion of 65940000-
8	65394800	1	FRONT ORNAMENT
9	169180	1	NUT
10	10519378	1	WASHER
11	65770100	1	STRIKER
12	65772100	1	THICKNESS
13	16296927	2	SCREW
14	65756700	1	COMPLETE INNER DEVICE FOR FRONT HOOD OPENING -Valid till car Ass. Nr. 43983-
14	67046200	1	COMPLETE INNER DEVICE FOR FRONT HOOD OPENING -Valid from car Ass. Nr. 43984-
15	16286027	4	SCREW -Valid till car Ass. Nr. 43983-
15	13027026	4	SCREW -Valid from car Ass. Nr. 43984-
16	65757300	1	ACTUATOR
17	65775200	1	COMPLETE BRACKET -Valid till car Ass. Nr. 43983-
17	67011600	1	COMPLETE BRACKET -Valid from car Ass. Nr. 43984- -Valid till Ass. Nr. 46967 for USA and CDN-
17	67364800	1	COMPLETE BRACKET -Valid from car Ass. Nr. 46968 for USA and CDN-
18	13271814	2	SCREW
19	127492	2	WASHER
20	65777800	1	SMALL ROD
21	11194674	4	WASHER -Valid from car Ass. Nr. 43984-
22	16296927	2	SCREW
23	65801300	1	COMPLETE CABLE FOR FRONT HOOD OPENING -Valid till Ass. Nr. 46967 for USA and CDN-
23	67404100	1	CABLE FOR HANDLE FOR SAFETY CHILDREN -Valid from Ass. Nr. 46968 for USA and CDN-
24	11087676	1	FLEXIBLE RING
25	14496101	1	WASHER
26	11087476	1	FLEXIBLE RING
27	14506787	1	PLUG
28	65546600	2	SMALL BLOCK
29	60710900	1	EMERGENCY HANDLE
30	60711000	1	CLIP
31	11087674	1	FLEXIBLE RING
32	10396180	2	CABLE GROMMET
33	65850000	1	GASKET FOR TRUNK HOOD

34	14496525	4	WASHER
35	67493300	1	MICRO-SWITCH
36	65939900	2	PIN -Valid for shock absorber 67508100 ref.7-
37	60276805	1	DOWEL -Valid from Ass. Nr. 46968 for USA and CDN-
38	67053000	1	HANDLE FOR SAFETY CHILDREN -Valid from Ass. Nr. 46968 for USA and CDN-
39	62854300	1	FIXING CLIP -Valid from Ass. Nr. 46968 for USA and CDN-
40	67365100	1	ACTUATOR -Valid from Ass. Nr. 46968 for USA and CDN-
41	60538800	1	RING NUT -Valid from Ass. Nr. 46968 for USA and CDN-
42	67558300	2	SMALL LINK -Valid from Ass. Nr. 46968 for USA and CDN-
43	67555700	2	PIN -Valid from Ass. Nr. 46968 for USA and CDN-
44	11087476	2	FLEXIBLE RING -Valid from Ass. Nr. 46968 for USA and CDN-
45	67405000	1	EMERGENCY CABLE -Valid from Ass. Nr. 46968 for USA and CDN-
46	10396180	1	CABLE GROMMET -Valid from Ass. Nr. 46968 for USA and CDN-
47	65897700	1	CLIP -Valid from Ass. Nr. 46968 for USA and CDN-

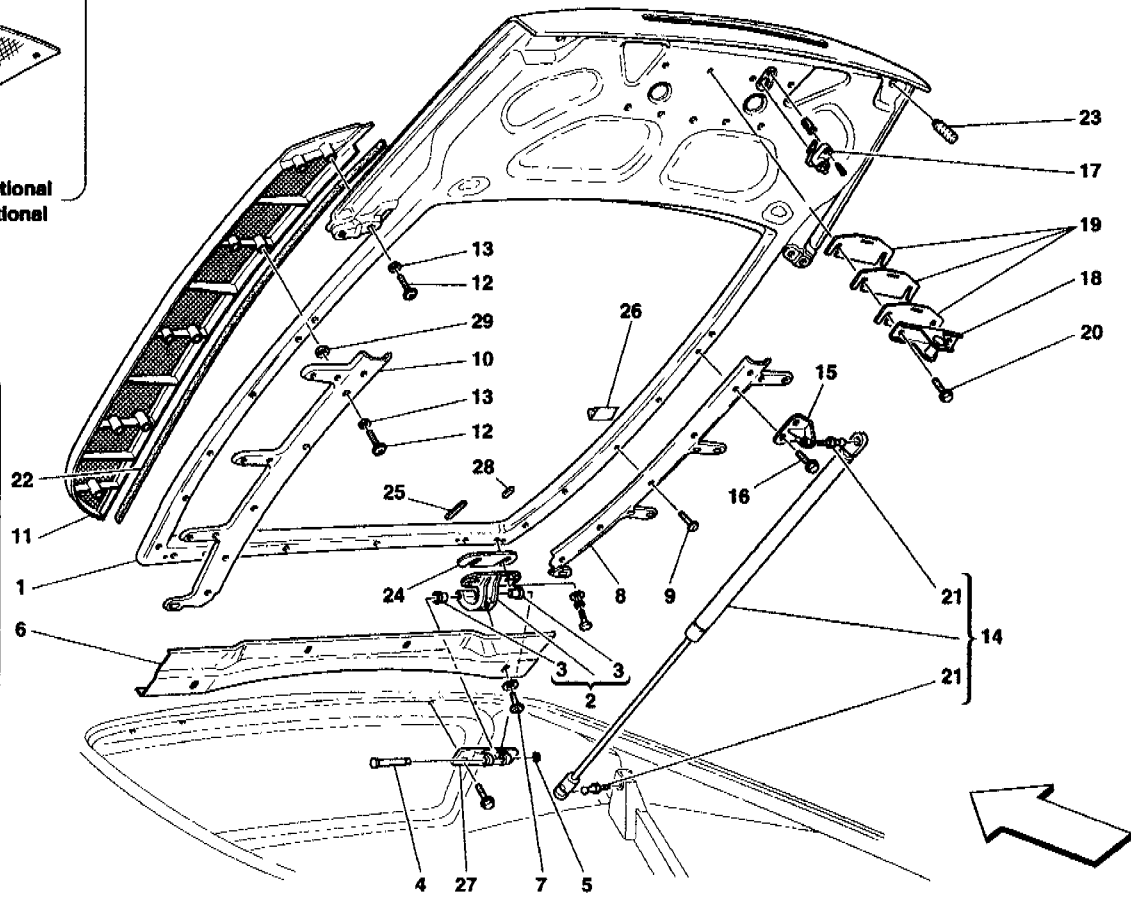
360 Modena - 114 - ENGINE BONNET



Vale per versione scarichi racing - optional  
Valid for racing exhaust version - optional



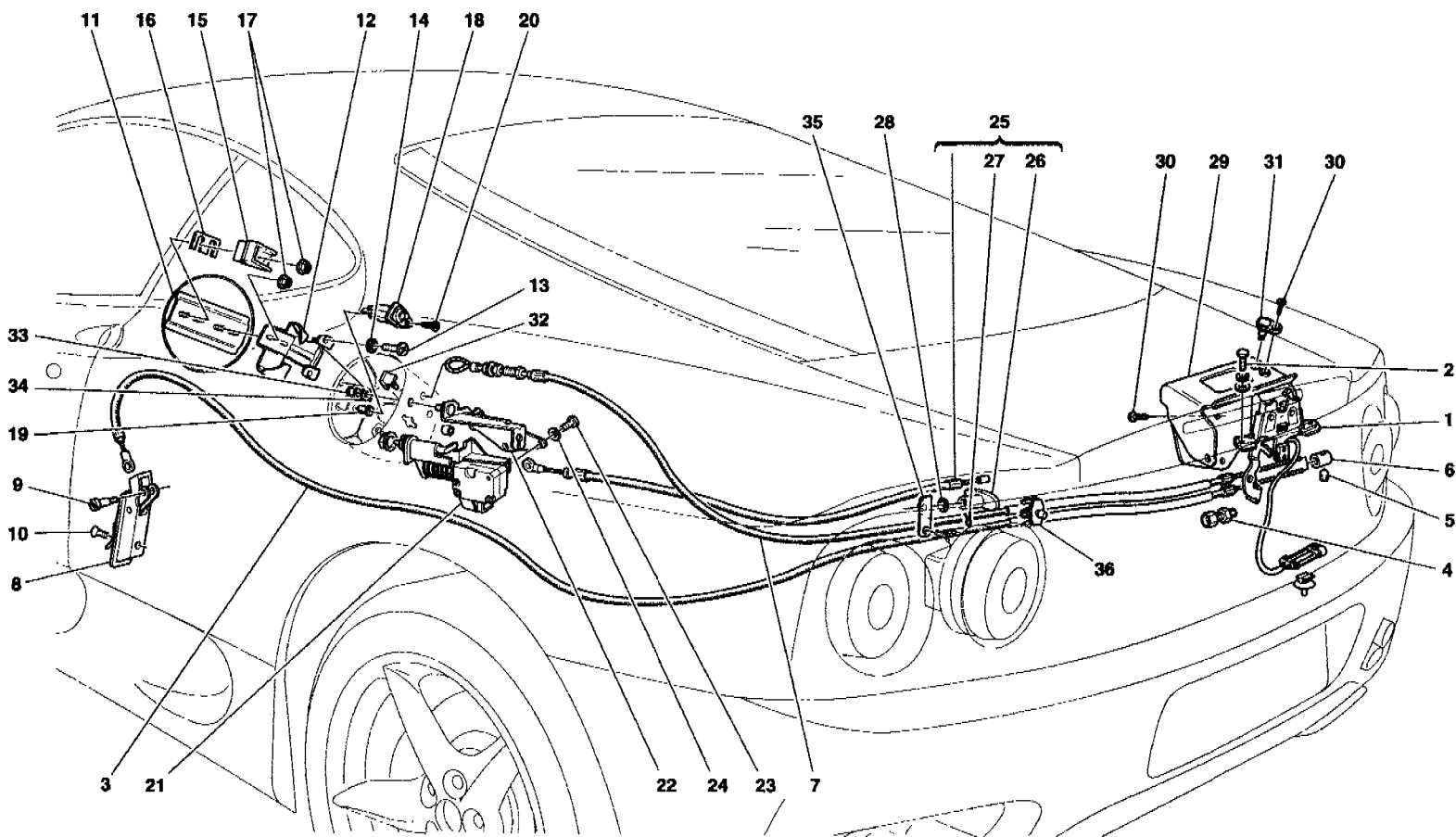
Vale per versione carbonio - optional  
Valid for carbon version - optional



360 Modena - 114 - ENGINE BONNET

1	63268900	1	REAR HOOD BONNET
2	64877500	1	R.H. MOBILE HINGE
2	64877600	1	L.H. MOBILE HINGE
3	62825300	4	HINGE BUSHING
4	64807100	2	PIN
5	11087974	2	FLEXIBLE RING
6	65398800	1	FRONT HOOD CONTOUR
7	65864100	4	SCREW
8	65398900	1	R.H. PLATE
9	62940900	8	SCREW
10	65399000	1	L.H. PLATE
11	65307400	1	L.H. GRILL
11	68269600	1	L.H. GRILL
			-Valid for carbon version-
			-Optional-
11	65307300	1	R.H. GRILL
11	68269500	1	R.H. GRILL
			-Valid for carbon version-
			-Optional-
12	169815	18	SCREW
13	12638177	18	WASHER
14	65855000	2	GAS SPRING
15	65526300	2	BRACKET
16	16286124	4	SCREW
17	143331	1	ADDITIONAL STOP LIGHT
			MOBILE CONTACT
18	64867900	1	HOOD CLOSING STRIKER
19	65524800	4	ADJUSTING PLATE
			-Possible fitting-
20	16286027	2	SCREW
21	65939900	2	PIN
22	65979200	2	GASKET
23	62167600	2	SMALL BLOCK
24	66073100	6	THICKNESS
25	65714600	4	SPACER
26	65050600	2	SPACER
27	64806700	1	R.H. FIXED HINGE
27	64806800	1	L.H. FIXED HINGE
28	63023300	2	SPACER
29	12644478	18	WASHER
			-Possible fitting-
30	68153200	1	INSULATION FOR ENGINE
			HOOD BONNET
			-Valid for racing exhaust version-
			-Optional-
31	14641495	6	RIVET
			-Valid for racing exhaust version-
			-Optional-
32	12637824	6	WASHER
			-Valid for racing exhaust version-
			-Optional-

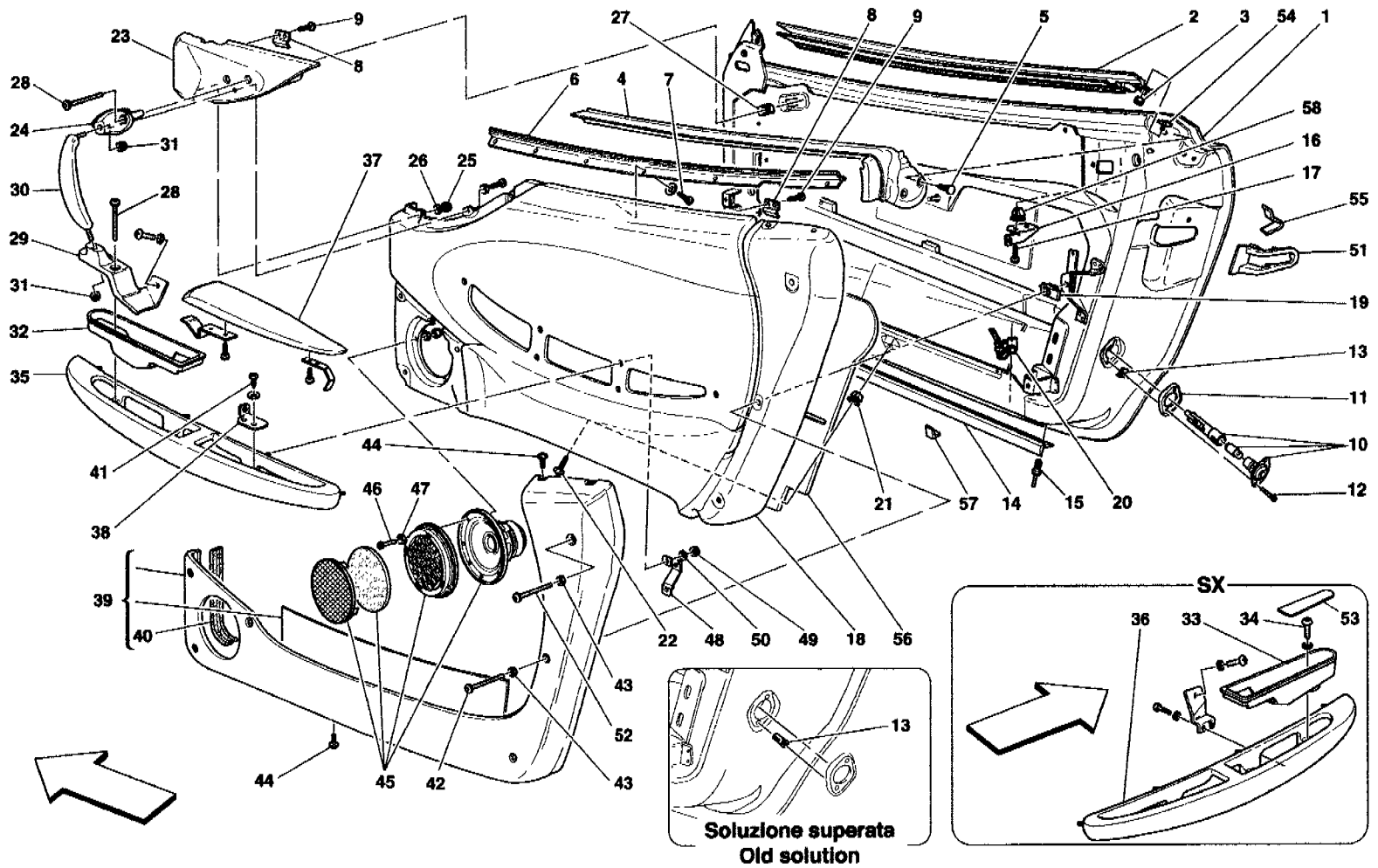
360 Modena - 115 - OPENING DEVICES FOR ENGINE BONNET AND GAS DOOR



360 Modena - 115 - OPENING DEVICES FOR ENGINE BONNET AND GAS DOOR

1	65732400	1	COMPLETE ENGINE BONNET LOCK -Not for GD-
1	65732500	1	COMPLETE ENGINE BONNET LOCK -Valid for GD-
2	16286127	2	SCREW
3	65853300	1	COMPLETE CABLE FOR MOTOR BONNET OPENING
4	62828900	1	REGISTER FOR CABLES
5	60276805	1	DOWEL
6	60276607	1	CONNECTION
7	65067300	1	COMPLETE SAFETY LOCK CABLE FOR ENGINE HOOD -Not for GD-
7	65849900	1	COMPLETE SAFETY LOCK CABLE FOR ENGINE HOOD -Valid for GD-
8	65808100	1	HANDLE FOR REAR HOOD OPENING
9	65852000	1	PIN
10	13299477	1	SCREW
11	64873200	1	FUEL INLET LID
12	64872100	1	HINGE FOR GAS UNION DOOR
13	13274014	2	SCREW
14	12605274	2	WASHER
15	65396000	1	STRIKER
16	65396100	2	SPACER
17	14084111	2	NUT
18	153069	1	OPEN DOOR SWITCH
19	14115380	1	BLOCK
20	16082401	1	SCREW
21	65395900	1	ACTUATOR
22	65395800	1	ACTUATOR SUPPORTING BRACKET
23	15641275	2	SCREW
24	14496277	2	WASHER
25	65701000	1	COMPLETE SAFETY CABLE FOR GAS UNION DOOR
26	60710900	1	EMERGENCY HANDLE
27	60711000	1	CLIP
28	11087676	2	FLEXIBLE RING
29	65756100	1	ENGINE BONNET LOCK SHIELD
30	63343400	5	SCREW
31	62535900	1	ADDITIONAL STOP LIGHT FIXED CONTACT
32	63879900	2	RUBBER PAD
33	168698	2	NUT
34	12637878	2	WASHER
35	65506500	1	REAR PIPE FIXING BRACKET
36	177805	1	CLIP

360 Modena - 116 - DOORS - FRAMEWORK AND COVERINGS





360 Modena - 116 - DOORS - FRAMEWORK AND COVERINGS

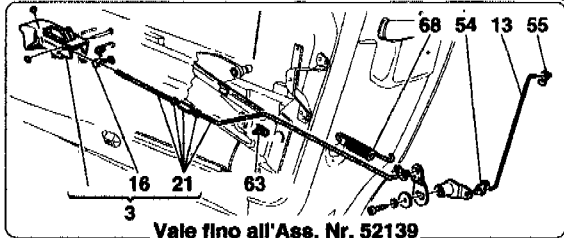
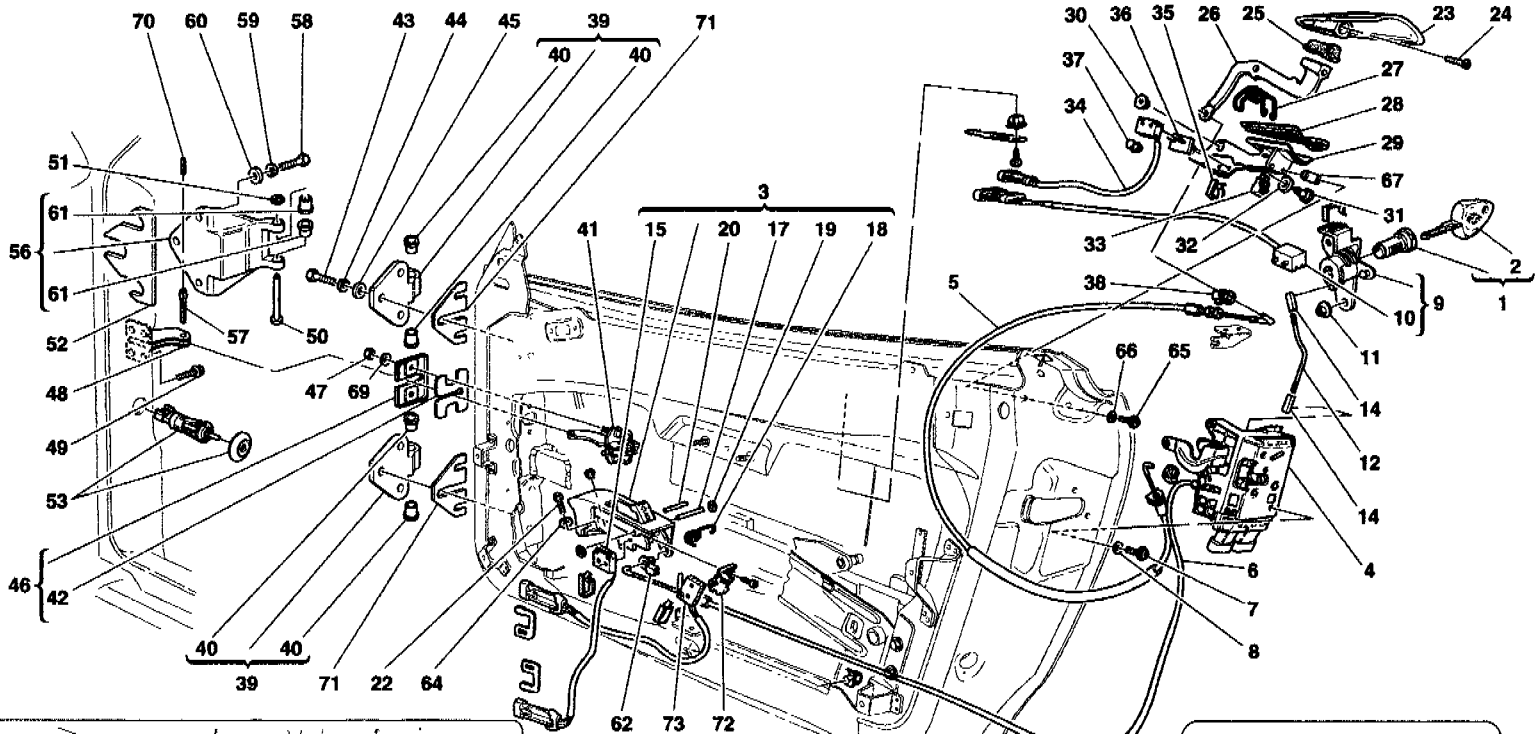
1	63269100	1	R.H. DOOR FRAME -Not as spare part for USA and CDN- -Replaced by 65909000-
1	65909000	1	R.H. DOOR FRAME -Replaces 63269100 for USA and CDN-
1	63269200	1	L.H. DOOR FRAME -Not as spare part for USA and CDN- -Replaced by 65909000-
1	65909500	1	L.H. DOOR FRAME -Replaces 63269100 for USA and CDN-
2	65164400	1	R.H. GASKET OUTER GLASS SCRAPER
2	65164500	1	L.H. GASKET OUTER GLASS SCRAPER
3	14042077	2	NUT
4	65544600	1	R.H. GASKET INNER GLASS SCRAPER
4	65544700	1	L.H. GASKET INNER GLASS SCRAPER
5	14591687	4	FIXING BUTTON
6	65013000	1	R.H. STRUCTURAL SHAPE
6	65546200	1	L.H. STRUCTURAL SHAPE
7	16082901	12	SCREW
8	64595200	6	FIXING CLIP
9	16082901	12	SCREW
10	178262	2	OPENING DOOR LAMP -Valid till stock exhaustion-
10	184786	2	OPENING DOOR LAMP -Valid after stock exhaustion of 178262-
11	140576	2	GASKET
12	15901570	4	SCREW
13	65704200	4	FIXING CLIP -Not as spare part- -Replaced by 61828500-
13	61828500	4	FIXING CLIP
14	64855600	2	GASKET
15	62764000	14	RIVET
16	65546400	1	R.H. BRACKET
16	65547800	1	L.H. BRACKET
17	15644075	4	SCREW
18	650075..	1	R.H. COVERED DOOR PANEL -Not for GD-
18	657073..	1	R.H. COVERED DOOR PANEL -Valid for GD-
18	650076..	1	L.H. COVERED DOOR PANEL -Not for GD-
18	657074..	1	L.H. COVERED DOOR PANEL -Valid for GD-
19	14190290	12	NUT
20	177553	8	CLAMP
21	14201980	2	BLOCK
22	15784201	2	SCREW
23	635767..	1	COVERED UPPER FRONT PANEL FOR R.H. DOOR -Not for GD-
23	657075..	1	COVERED UPPER FRONT PANEL FOR R.H. DOOR -Valid for GD-
23	635768..	1	COVERED UPPER FRONT PANEL FOR L.H. DOOR -Not for GD-
23	657076..	1	COVERED UPPER FRONT PANEL FOR L.H. DOOR -Valid for GD-
24	65157600	1	R.H. HANDLE MOULDING UPPER CONNECTION -Not for GD-
24	65159000	1	L.H. HANDLE MOULDING

			UPPER CONNECTION
			-Valid for GD-
25	14084111	6	NUT
26	12637824	6	WASHER
27	14190190	4	NUT
28	65071900	2	SCREW
29	65157500	1	R.H. HANDLE MOULDING
			LOWER CONNECTION
			-Not for GD-
29	65158900	1	L.H. HANDLE MOULDING
			LOWER CONNECTION
			-Valid for GD-
30	651594..	1	R.H. HANDLE MOULDING KNOB
			-Not for GD-
30	651595..	1	L.H. HANDLE MOULDING KNOB
			-Valid for GD-
31	14059211	2	NUT
32	65011500	1	R.H. HANDLE PLATE
33	65705900	1	L.H. HANDLE PLATE
34	13246314	1	SCREW
			-Not as spare part-
			-Replaced by 13276077-
34	13276077	1	SCREW
35	650081..	1	R.H. DOOR ARM-REST
			-Not as spare part replaced by 659388..-
			-Not for GD-
35	659388..	1	R.H. DOOR ARM-REST
			-Not for GD-
35	657079..	1	L.H. DOOR ARM-REST
			-Not as spare part replaced by 659447..-
			-Valid for GD-
35	659447..	1	L.H. DOOR ARM-REST
			-Valid for GD-
36	650082..	1	L.H. DOOR ARM-REST
			-Not as spare part replaced by 659392..-
			-Not for GD-
36	659392..	1	L.H. DOOR ARM-REST
			-Not for GD-
36	657078..	1	R.H. DOOR ARM-REST
			-Not as spare part replaced by 659448..-
			-Valid for GD-
36	659448..	1	R.H. DOOR ARM-REST
			-Valid for GD-
37	650088..	1	R.H. DOOR ARM-REST INSERT
			-Not as spare part replaced by 659445..-
37	659445..	1	R.H. DOOR ARM-REST INSERT
37	650089..	1	L.H. DOOR ARM-REST INSERT
			-Not as spare part replaced by 659446..-
37	659446..	1	L.H. DOOR ARM-REST INSERT
38	65075100	1	R.H. BRACKET
38	65702800	1	L.H. BRACKET
39	65009600	1	R.H. UTILITY POCKET
			-Valid till Ass. Nr. 42146-
39	66124500	1	R.H. UTILITY POCKET
			-Valid from Ass. Nr. 42147-
39	65009700	1	L.H. UTILITY POCKET
			-Valid till Ass. Nr. 42146-
39	66124600	1	L.H. UTILITY POCKET
			-Valid from Ass. Nr. 42147-
40	65011600	1	R.H. GASKET
40	65708200	1	L.H. GASKET
41	16082901	4	SCREW
42	65071800	10	SCREW
43	65754000	12	WASHER
			-Not as spare part-
			-Replaced by 65916400-
43	65916400	12	WASHER
44	65392800	8	SCREW
45	65865100	2	LOUD SPEAKER WOOFER
			-Not for cars with radio amplifier-

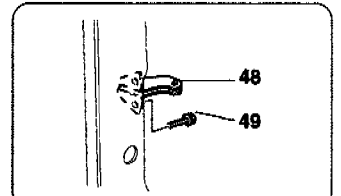
45	188607	2	LOUD SPEAKER WOOFER -Valid for cars with radio amplifier-
46	15687370	6	SCREW
47	65875900	6	CLIENT
48	65537600	2	BRACKET -Valid till Ass. Nr.52139-
49	14084111	12	NUT
50	12637824	12	WASHER
51	65705000	1	R.H. PLATE
51	65717800	1	L.H. PLATE
52	66076300	2	SCREW
53	659214..	1	COVER
54	65949800	2	SMALL PLATE -Valid till stock exhaustion-
54	67194200	2	SMALL PLATE
55	65705300	4	CLIP
56	65693000	2	WATER PROTECTION CLOTH -Valid till stock exhaustion-
56	66212700	1	R.H. WATER PROTECTION CLOTH -Valid after stock exhaustion of 65693000-
56	66212800	1	L.H. WATER PROTECTION CLOTH -Valid after stock exhaustion of 65693000-
57	67111400	4	RUBBER
58	14201980	4	BLOCK

For particular colour matchings, make order by Fax or E-m@il, specifying serial number. - See "INNER TRIMS CAR CODES" table for codes of parts covered in leather or moquette.

360 Modena - 117 - DOORS - OPENING CONTROL AND HINGES



Vale fino all'Ass. Nr. 52139  
Valid till Ass. Nr. 52139



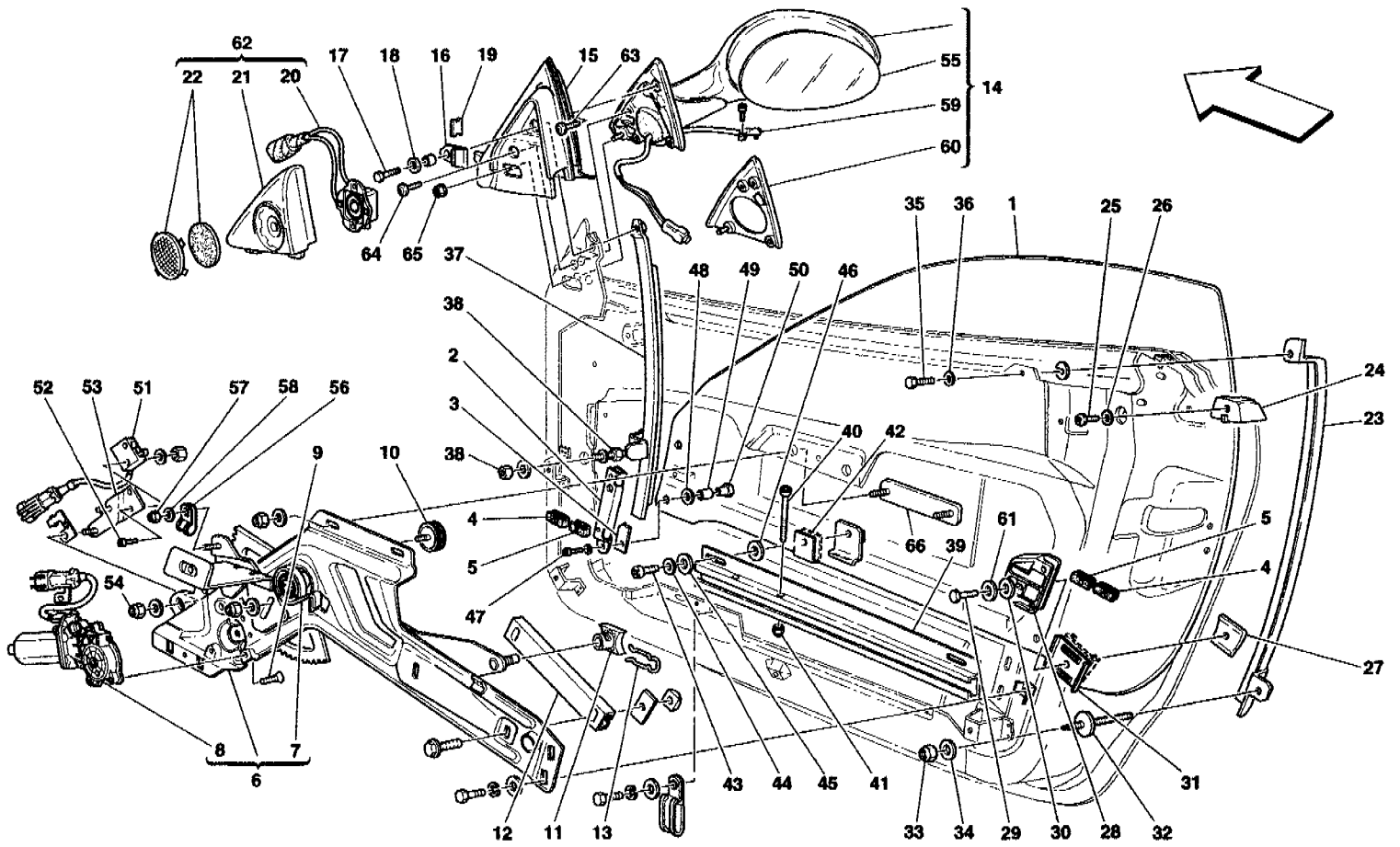
Vale fino alla vett. Nr.127704  
Valid till car. Nr.127704

## 360 Modena - 117 - DOORS - OPENING CONTROL AND HINGES

1	179567	1	LOCKS SET COMPLETED WITH STEERING LOCK AND KEY
2	181941	-	BLANK KEY -Valid till Ass. Nr. 42146-
2	185451	-	BLANK KEY -Valid from Ass. Nr. 42147-
3	65074000	1	R.H. INNER HANDLE FOR DOOR OPENING -Valid till Ass. Nr. 36781-
3	66217700	1	R.H. INNER HANDLE FOR DOOR OPENING -Valid from Ass. Nr. 36782-
3	67839300	1	-Valid till Ass. Nr.52139- R.H. INNER HANDLE FOR DOOR OPENING -Valid from Ass. Nr. 52140-
3	65074100	1	L.H. INNER HANDLE FOR DOOR OPENING -Valid till Ass. Nr. 36781-
3	66217400	1	L.H. INNER HANDLE FOR DOOR OPENING -Valid from Ass. Nr. 36782-
3	67839100	1	-Valid till Ass. Nr.52139- L.H. INNER HANDLE FOR DOOR OPENING -Valid from Ass. Nr. 52140-
4	65836100	1	R.H. DOOR LOCK
4	65836200	1	L.H. DOOR LOCK
5	65068400	2	DOOR OPENING OUTER CABLE -Not as spare part- -Replaced by 68602600-
5	68602600	2	DOOR OPENING OUTER CABLE
6	65069300	2	DOOR OPENING INNER CABLE
7	66207700	6	SCREW
8	65545900	6	WASHER
9	65839400	1	R.H. DOOR LOCK BLOCK
9	65839500	1	L.H. DOOR LOCK BLOCK
10	63859200	1	R.H. MICRO-SWITCH
10	63859300	1	L.H. MICRO-SWITCH
11	13046011	4	NUT
12	65836500	2	SAFETY TIE ROD
13	65302000	2	SAFETY TIE ROD -Valid till Ass. Nr.52139-
14	62794000	4	FLEXIBLE JOINT
15	171120	2	MICRO-SWITCH
16	63722800	2	COUPLING -Valid till Ass. Nr.52139-
17	63723400	2	PIN
18	63724600	1	R.H. SPRING
18	63724700	1	L.H. SPRING
19	11087476	2	FLEXIBLE RING
20	65582700	2	FLEXIBLE PIN
21	65069000	2	COMPLETE TIE ROD -Valid till Ass. Nr.52139-
22	65757200	2	SCREW -Not as spare part- -Replaced by 13274177 + 12637878-
22	13274177	2	SCREW
23	63576010	1	R.H. OUTER DOOR HANDLE
23	63576110	1	L.H. OUTER DOOR HANDLE
24	13309277	2	SCREW
25	64861100	1	R.H. INNER GASKET
25	64861200	1	L.H. INNER GASKET
26	64860600	2	LEVER
27	64860700	2	SPRING FOR HANDLE
28	64860900	1	R.H. HANDLE GASKET
28	64861000	1	L.H. HANDLE GASKET

29	64860410	1	R.H. HANDLE SEAT
29	64860510	1	L.H. HANDLE SEAT
30	65398700	2	BUSHING
31	64860800	2	PIN
32	65520700	4	WASHER
33	65398600	2	GUIDE
34	178187	2	MICRO-SWITCH
35	63179900	2	FIXING CLIP
36	65806300	2	PLATE
37	63853400	2	RUBBER PAD
38	14578180	2	CLIP
			-Not as spare part-
			-Replaced by 14578283-
38	14578283	2	CLIP
39	64803300	4	MOBILE HINGE
40	62825300	8	BUSHING
41	65716500	2	TIE ROD
			-Not as spare part-
			-Replaced by 65195200-
41	65195200	2	TIE ROD
42	63892300	2	GASKET
43	16043934	12	SCREW
44	10571779	12	WASHER
45	14496578	12	WASHER
46	63895200	1	R.H. PLATE
46	63895300	1	L.H. PLATE
47	102741	4	NUT
48	65880400	1	R.H. BRACKET
			-Not as spare part-
			-Replaced by 64810200-
48	65886100	1	L.H. BRACKET
			-Not as spare part-
			-Replaced by 64810200-
48	64810200	2	BRACKET
			-Valid till car Nr. 127704-
48	67111800	2	BRACKET
			-Valid from car Nr. 127705-
49	13836971	4	SCREW
			-Valid till car Nr. 127704-
49	18770124	8	SCREW
			-Valid from car Nr. 127705-
50	64803400	4	PIN
51	11087974	4	FLEXIBLE RING
52	65713400	4	THICKNESS
53	179697	2	PILLAR SWITCH
54	14578283	2	CLIP
55	66308300	2	CLIP
56	64803200	4	FIXED HINGE
57	65274600	2	PIN
			-Not as spare part-
			-Replaced by 66842800 and 14163874-
57	66842800	2	PIN
58	16043934	12	SCREW
			-Valid till car Nr. 127704-
58	16043534	12	SCREW
			-Valid from car Nr. 127705-
59	10571779	12	WASHER
60	14496578	12	WASHER
			-Not as spare part-
			-Replaced by 13550405-
60	13550405	12	WASHER
61	62825300	8	BUSHING
62	65700900	2	FIXING CLIP
63	14573280	2	FLEXIBLE CLIP
64	12637878	2	WASHER
65	169814	2	SCREW
66	166467	2	WASHER
67	65547500	6	SPACER
68	64074200	2	RETUTN SPRING FOR TIE ROD
			-Valid till Ass. Nr.52139-

69	12644424	4	WASHER
70	* 14163874	2	FLEXIBLE PIN
71	65998600	4	THICKNESS
72	67904000	1	R.H. MICRO SUPPORT BRACKET -Valid from Ass. Nr.52140-
72	67903900	1	L.H. MICRO SUPPORT BRACKET -Valid from Ass. Nr.52140-
73	212584	2	MICRO-SWITCH FOR LOCKING DOORS -Valid from Ass. Nr.52140-





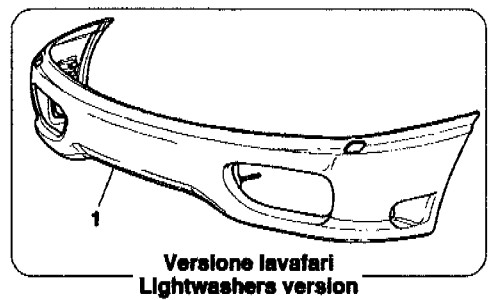
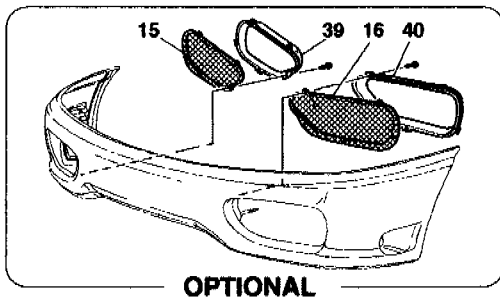
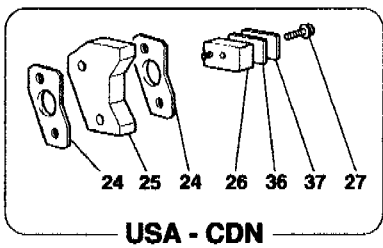
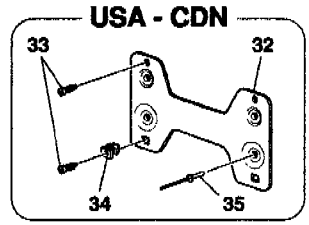
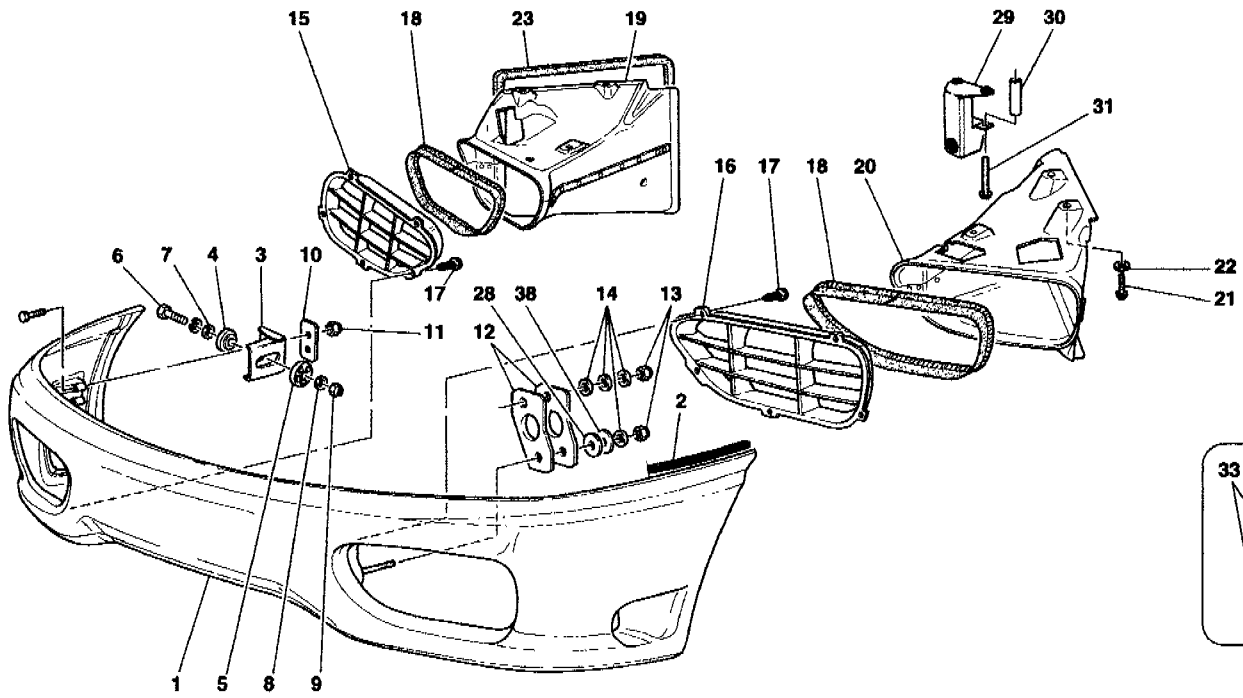
360 Modena - 118 - DOORS - POWER WINDOW AND REARVIEW MIRROR

1	65949200	1	R.H. DOOR GLASS
1	65949300	1	L.H. DOOR GLASS
2	63768100	1	R.H. GUIDE SHOE
2	63768200	1	L.H. GUIDE SHOE
3	63486900	2	GASKET
4	63767900	8	CLIP
5	63890100	8	GASKET
6	65133200	1	COMPLETE R.H. DEVICE FOR GLASS LIFT -Valid till Ass. Nr. 35720-
6	65819400	1	COMPLETE R.H. DEVICE FOR GLASS LIFT -Valid from Ass. Nr. 35721 till Ass. Nr.52139-
6	67904200	1	COMPLETE R.H. DEVICE FOR GLASS LIFT -Valid from Ass. Nr. 52140-
6	65133300	1	COMPLETE L.H. DEVICE FOR GLASS LIFT -Valid till Ass. Nr. 35720-
6	65819500	1	COMPLETE L.H. DEVICE FOR GLASS LIFT -Valid from Ass. Nr. 35721 till Ass. Nr.52139-
6	67904100	1	COMPLETE L.H. DEVICE FOR GLASS LIFT -Valid from Ass. Nr. 52140-
7	63896300	2	HELICOIDAL SPRING -Valid till Ass. Nr. 35720-
7	65826900	2	HELICOIDAL SPRING -Valid from Ass. Nr. 35721-
8	63211800	1	R.H. GLASS LIFTING MOTOR -Valid till Ass. Nr. 35720-
8	65819600	1	R.H. GLASS LIFTING MOTOR -Valid from Ass. Nr. 35721-
8	63211900	1	L.H. GLASS LIFTING MOTOR -Valid till Ass. Nr. 35720-
8	65819700	1	L.H. GLASS LIFTING MOTOR -Valid from Ass. Nr. 35721-
9	15917904	8	SCREW
10	65100400	2	STOP BUFFER -Valid till Ass. Nr. 35720-
10	65827200	2	STOP BUFFER -Valid from Ass. Nr. 35721-
11	64081100	6	SMALL BLOCK
12	63205200	2	GUIDE -Valid till Ass. Nr. 35720-
12	65816700	2	GUIDE -Valid from Ass. Nr. 35721-
13	64081200	6	CLIP
14	65731910	1	COMPLETE R.H. OUTER REAR VIEW MIRROR -Not for USA, CDN and GD-
14	65732010	1	COMPLETE R.H. OUTER REAR VIEW MIRROR -Valid for USA and CDN-
14	65732110	1	COMPLETE R.H. OUTER REAR VIEW MIRROR -Valid for GD-
14	65731810	1	COMPLETE L.H. OUTER REAR VIEW MIRROR -Not for GD-
14	65732210	1	COMPLETE L.H. OUTER REAR VIEW MIRROR -Valid for GD-
15	65226000	1	R.H. OUTER MIRROR GASKET
15	65226100	1	L.H. OUTER MIRROR GASKET
16	65065700	2	CLIP BODY

17	10902224	2	SCREW
18	12643778	2	WASHER
19	14184374	2	CLIP
20	---	2	LOUD SPEAKER TWEETER
21	---	1	R.H. INNER PLATE
21	---	1	L.H. INNER PLATE
22	---	2	PROTECTION GRILL
23	65062100	1	R.H. REAR GLASS GUIDE
23	65062200	1	L.H. REAR GLASS GUIDE
24	65310700	1	R.H. SMALL BLOCK
24	65310800	1	L.H. SMALL BLOCK
25	13274014	2	SCREW
26	12638124	2	WASHER
27	65997500	1	R.H. PLATE
27	65997700	1	L.H. PLATE
28	63853600	1	R.H. MOVING GUIDE
28	63853700	1	L.H. MOVING GUIDE
29	10903224	2	SCREW
			-Not as spare part-
			-Replaced by 10903024 + 127494-
29	10903024	2	SCREW
30	12644424	2	WASHER
31	63168800	2	PRELOADING REGULATOR
32	64854600	2	ADJUSTMENT PIN
33	102741	2	NUT
34	12643778	2	WASHER
35	13836721	2	SCREW
36	12643724	2	WASHER
37	65061900	1	R.H. FRONT GLASS GUIDE
37	65062000	1	L.H. FRONT GLASS GUIDE
38	14039714	4	NUT
39	65970700	1	R.H. SLIDING GUIDE
			-Valid till Ass. Nr. 35720-
39	65828200	1	R.H. SLIDING GUIDE
			-Valid from Ass. Nr. 35721-
39	65970800	1	L.H. SLIDING GUIDE
			-Valid till Ass. Nr. 35720-
39	65828300	1	L.H. SLIDING GUIDE
			-Valid from Ass. Nr. 35721-
40	14303724	4	SCREW
41	62790300	4	NUT
42	65807300	4	PLATE GASKET
43	14305424	4	SCREW
44	12601279	4	WASHER
45	12643724	4	WASHER
46	12647624	4	WASHER
47	13297377	4	SCREW
48	62798000	4	WASHER
49	62932800	4	SPACER
50	62932900	4	BUSHING
51	168617	2	MICRO-SWITCH
52	15643975	4	SCREW
			-Not as spare part-
			-Replaced by 15687975-
52	15687975	4	SCREW
53	64749300	1	R.H. MOBILE BRACKET
			-Valid till Ass. Nr. 35720-
53	65907400	1	R.H. MOBILE BRACKET
			-Valid from Ass. Nr. 35721-
53	64749400	1	L.H. MOBILE BRACKET
			-Valid till Ass. Nr. 35720-
53	65907500	1	L.H. MOBILE BRACKET
			-Valid from Ass. Nr. 35721-
54	14084011	4	NUT
55	66213200	1	R.H. OUTER REAR VIEW MIRROR GLASS
			-Not for USA, CDN and GD-
55	66213600	1	R.H. OUTER REAR VIEW MIRROR GLASS
			-Valid for USA and CDN-

55	66213400	1	R.H. OUTER REAR VIEW MIRROR GLASS -Valid for GD-
55	66213300	1	L.H. OUTER REAR VIEW MIRROR GLASS -Not for GD-
55	66213500	1	L.H. OUTER REAR VIEW MIRROR GLASS -Valid for GD-
56	10418601	2	BRACKET
57	102741	2	NUT
58	12644424	2	WASHER
59	65889400	1	OUTSIDE TEMPERATURE FEELER
60	66481900	1	L.H. REAR VIEW OUTER PLATE
60	66481800	1	R.H. REAR VIEW OUTER PLATE
61	127494	2	WASHER
62	65159600	1	COMPLETE R.H. INNER PLATE -Not for cars with radio amplifier- -Valid till stock exhaustion-
62	66799700	1	COMPLETE R.H. INNER PLATE -Not for cars with radio amplifier- -Valid after stock exhaustion of 65159600-
62	66694200	1	COMPLETE R.H. INNER PLATE -Valid for cars with radio amplifier-
62	65159700	1	COMPLETE L.H. INNER PLATE -Not for cars with radio amplifier- -Valid till stock exhaustion-
62	66799800	1	COMPLETE L.H. INNER PLATE -Not for cars with radio amplifier- -Valid after stock exhaustion of 65159700-
62	66694300	1	COMPLETE L.H. INNER PLATE -Valid for cars with radio amplifier-
63	65713200	2	SCREW
64	65366700	2	SCREW
65	13831801	4	NUT
66	66075200	2	BRACKET

360 Modena - 119 - FRONT BUMPER

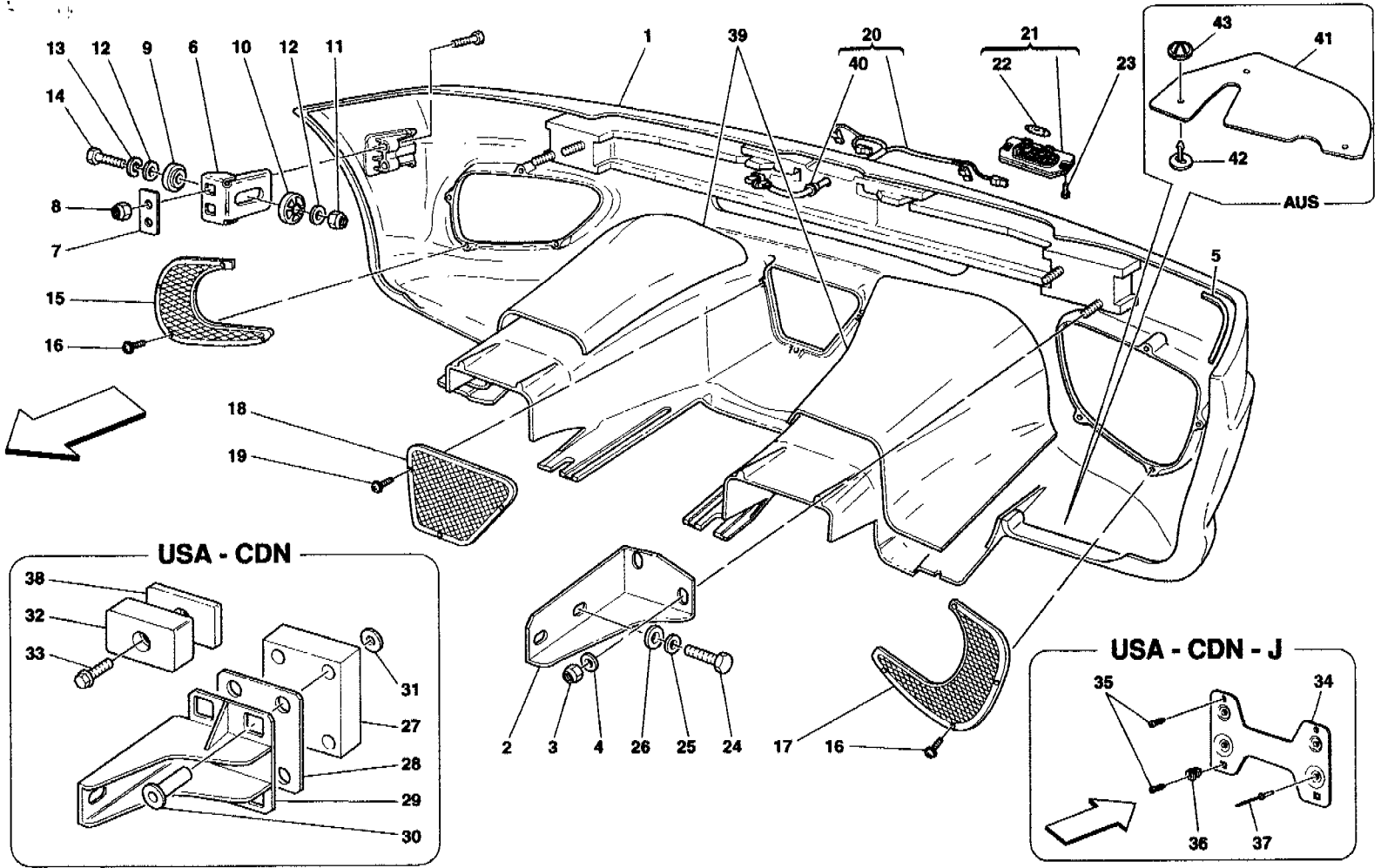


360 Modena - 119 - FRONT BUMPER

1	64861610	1	FRONT BUMPER -Without lightwashers- -Not for USA and CDN-
1	65005310	1	FRONT BUMPER -Without lightwashers- -Valid for USA and CDN-
1	65580710	1	FRONT BUMPER -With lightwashers- -Not for USA and CDN-
1	65581110	1	FRONT BUMPER -With lightwashers- -Valid for USA and CDN-
2	65856500	1	RUBBER PROFILE
3	62126500	2	BUMPER LATERAL FIXING BRACKET
4	62128200	2	EXTERNAL SMALL BLOCK
5	62128300	2	INTERNAL SMALL BLOCK
6	11307021	2	SCREW
7	12646801	4	WASHER
8	127497	2	WASHER
9	104114	2	NUT
10	62126600	2	PLATE
11	104030	4	NUT
12	65311700	4	SPACER PLATE -Not for USA and CDN-
13	104114	4	NUT
14	12646801	8	WASHER
15	65871000	1	R.H. FRONT BUMPER GRILL
15	63330200	1	R.H. FRONT BUMPER GRILL -OPTIONAL-
16	65871100	1	L.H. FRONT BUMPER GRILL
16	63330300	1	L.H. FRONT BUMPER GRILL -OPTIONAL-
17	16084304	10	SCREW
18	65871300	2	GASKET -Valid till stock exhaustion-
19	65870800	1	R.H. AIR INLET
20	65870900	1	L.H. AIR INLET
21	64686900	8	SCREW
22	12644424	8	WASHER
23	65714200	1	R.H. REAR GASKET -Valid till stock exhaustion-
23	65973200	1	R.H. REAR GASKET -Valid after stock exhaustion of 65714200-
24	65892600	4	SPACER PLATE -Valid for USA and CDN-
24	65899600	4	SPACER PLATE -Possible fitting- -Valid for USA and CDN-
25	64875500	2	PAD -Valid for USA and CDN-
26	65537700	2	SIDE PAD -Valid for USA and CDN-
27	16287224	2	SCREW -Valid for USA and CDN-
28	65921200	-	SPACER -Possible fitting-
29	65311800	1	TOW HOOK BRACKET
30	65802300	2	SPACER
31	16297824	2	SCREW
32	65886300	1	FRONT PLATE FRAME -Valid for USA and CDN-
33	16084370	4	SCREW -Valid for USA and CDN-
34	14201980	2	BLOCK -Valid for USA and CDN-
35	14295696	4	RIVET -Valid for USA and CDN-

36	65537800	2	SPACER FOR WICK -Valid for USA and CDN-
37	65899500	2	SPACER FOR WICK -Valid for USA and CDN- -Possible fitting-
38	65998400	2	WASHER
39	66307300	1	R.H. FRAME -OPTIONAL-
40	66307400	1	L.H. FRAME -OPTIONAL-

360 Modena - 120 - REAR BUMPER



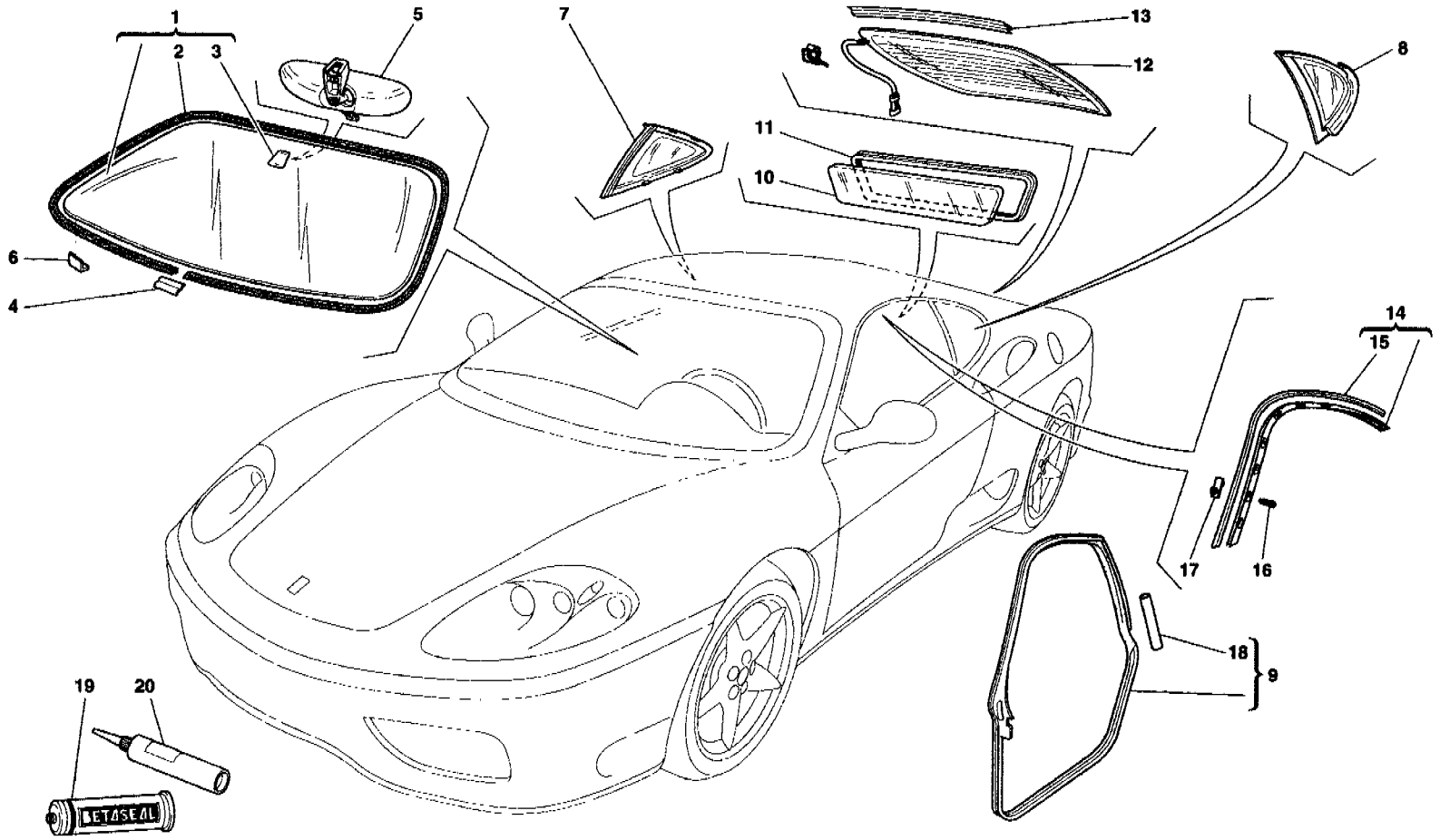
## 360 Modena - 120 - REAR BUMPER

1	64852810	1	COMPLETE REAR BUMPER -Not for USA and CDN-
1	64853710	1	COMPLETE REAR BUMPER -Valid for USA and CDN-
2	65306600	1	L.H. CENTRAL BRACKET -Not for USA and CDN-
2	65306500	1	R.H. CENTRAL BRACKET -Not for USA and CDN-
3	104114	4	NUT
4	12646801	8	WASHER
5	65856200	2	RUBBER PROFILE
6	62126500	2	SIDE BRACKET
7	62126600	2	PLATE
8	104030	4	NUT
9	62128200	2	EXTERNAL SMALL BLOCK
10	62128300	2	INTERNAL SMALL BLOCK
11	104114	2	NUT
12	12646801	4	WASHER
13	127497	2	WASHER
14	11307021	2	SCREW
15	65006300	1	R.H. GRILL
16	15688875	8	SCREW
17	65006400	1	L.H. GRILL
18	65006200	1	CENTER GRILLE
19	16083401	3	SCREW
20	164823	1	CABLES FOR NUMBER PLATE LIGHTS -Valid till Ass. Nr. 36336-
20	182985	1	CABLES FOR NUMBER PLATE LIGHTS -Valid from Ass. Nr. 36337-
21	186180	2	NUMBER PLATE LIGHT
22	10857790	2	BULB
23	15644175	4	SCREW
24	16239921	4	SCREW -Valid till stock exhaustion-
24	15540421	4	SCREW -Valid after stock exhaustion of 16239921-
25	11190779	4	WASHER
26	12646901	4	WASHER
27	63214100	2	ABSORPTION PAD -Valid for USA and CDN-
28	63738800	2	PLATE -Valid for USA and CDN-
29	65155200	2	CENTRAL BRACKET -Valid for USA and CDN-
30	65372900	8	BUSHING -Valid for USA and CDN-
31	13550405	8	WASHER -Valid for USA and CDN-
32	65537700	2	ABSORPTION PAD -Valid for USA and CDN-
33	16287224	2	SCREW -Valid for USA and CDN-
34	65886300	1	REAR PLATE FRAME -Valid for USA and CDN-
34	65887600	1	REAR PLATE FRAME -Valid for J-
35	16084370	4	SCREW -Valid for USA and CDN-
36	14201980	2	BLOCK -Valid for USA and CDN-
36	65887600	2	BLOCK -Valid for J-
37	14295696	4	RIVET -Valid for USA and CDN-
37	14296191	4	RIVET -Valid for J-



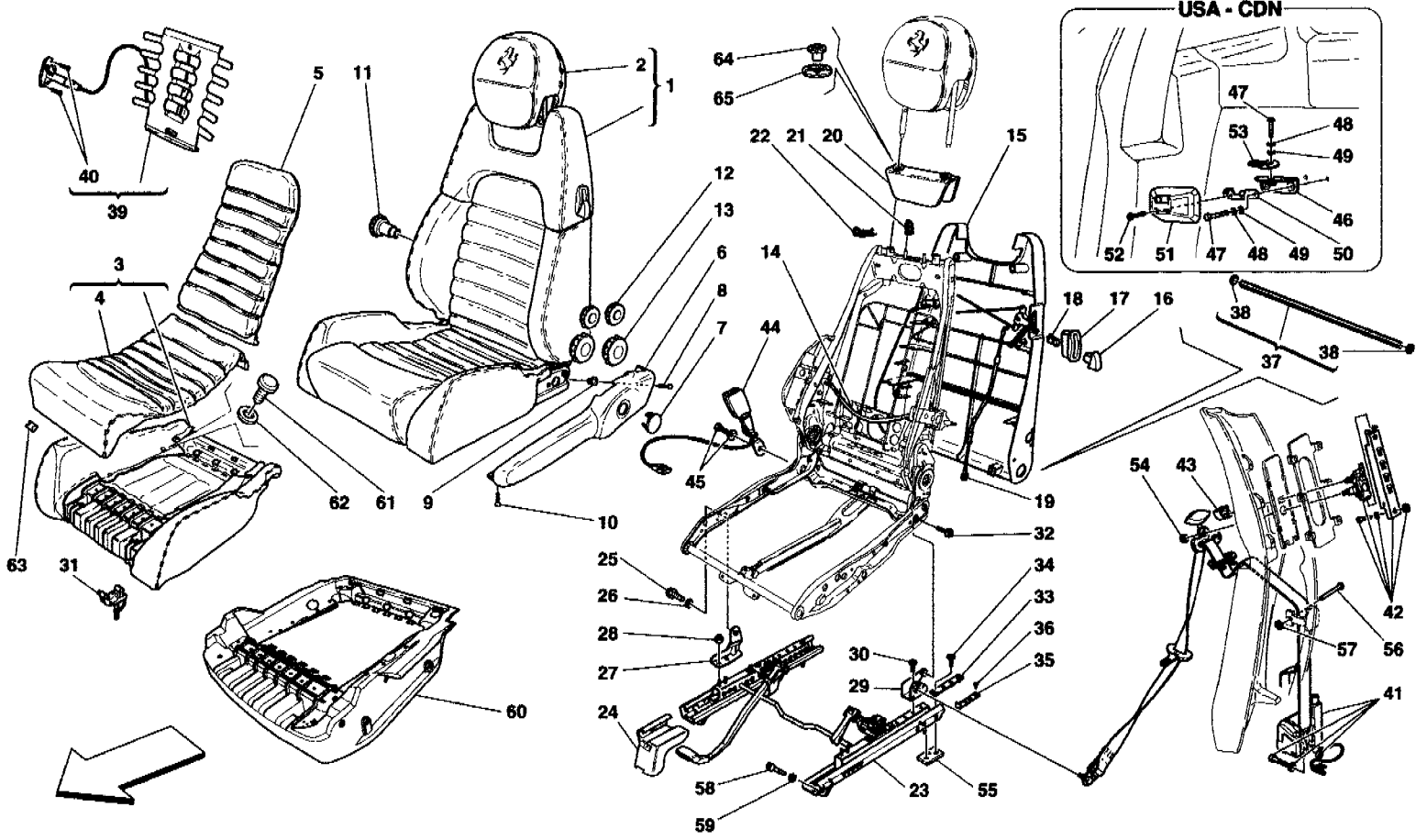
38	65537800	2	SPACER FOR WICK -Valid for USA and CDN-
39	65942000	2	INSULATION
40	10399280	2	CABLE GROMMET
41	68456900	1	R.H. INSULATION FOR REAR BUMPER -Valid from Nr.53911 for AUS-
41	68457000	1	L.H. INSULATION FOR REAR BUMPER -Valid from Nr.53911 for AUS-
42	68484300	6	BUTTON -Valid from Nr.53911 for AUS-
43	68484400	6	FIXING CLIP -Valid from Nr.53911 for AUS-

360 Modena - 121 - GLASSES AND GASKETS



360 Modena - 121 - GLASSES AND GASKETS

1	63353800	1	COMPLETE WINDSCREEN GLASS
2	65305700	1	OUTER GASKET
3	65695500	1	BAR
4	65625100	1	JOINT COVERING
5	65547300	1	INNER REAR VIEW MIRROR
6	65808700	6	CMplete SPACER
7	64018900	1	R.H. REAR SIDE GLASS -With gaskets-
8	64019000	1	L.H. REAR SIDE GLASS -With gaskets-
9	63355100	1	COMPLETE L.H. GASKET -Not as spare part- -Replaced by 66396400-
9	66396400	1	COMPLETE L.H. GASKET
9	63355000	1	COMPLETE R.H. GASKET -Not as spare part- -Replaced by 66396300-
9	66396300	1	COMPLETE R.H. GASKET
10	65833800	1	REAR-WINDOW GLASS
11	63354600	1	REAR WINDOW GASKET
12	63330700	1	GLASS FOR REAR HOOD BONNET
13	65713700	1	UPPER GASKET
14	65525300	1	COMPLETE L.H. MOULDING
14	65525200	1	COMPLETE R.H. MOULDING
15	65164600	2	GASKET
16	16083501	26	SCREW
17	64569500	26	FIXING CLIP
18	66390200	2	STUFFER FOR DOOR GASKET
19	63597000	1	WINDSHIELD ADHESIVE
20	66091400	1	SEALING



360 Modena - 122 - MANUAL SEAT - SAFETY BELTS

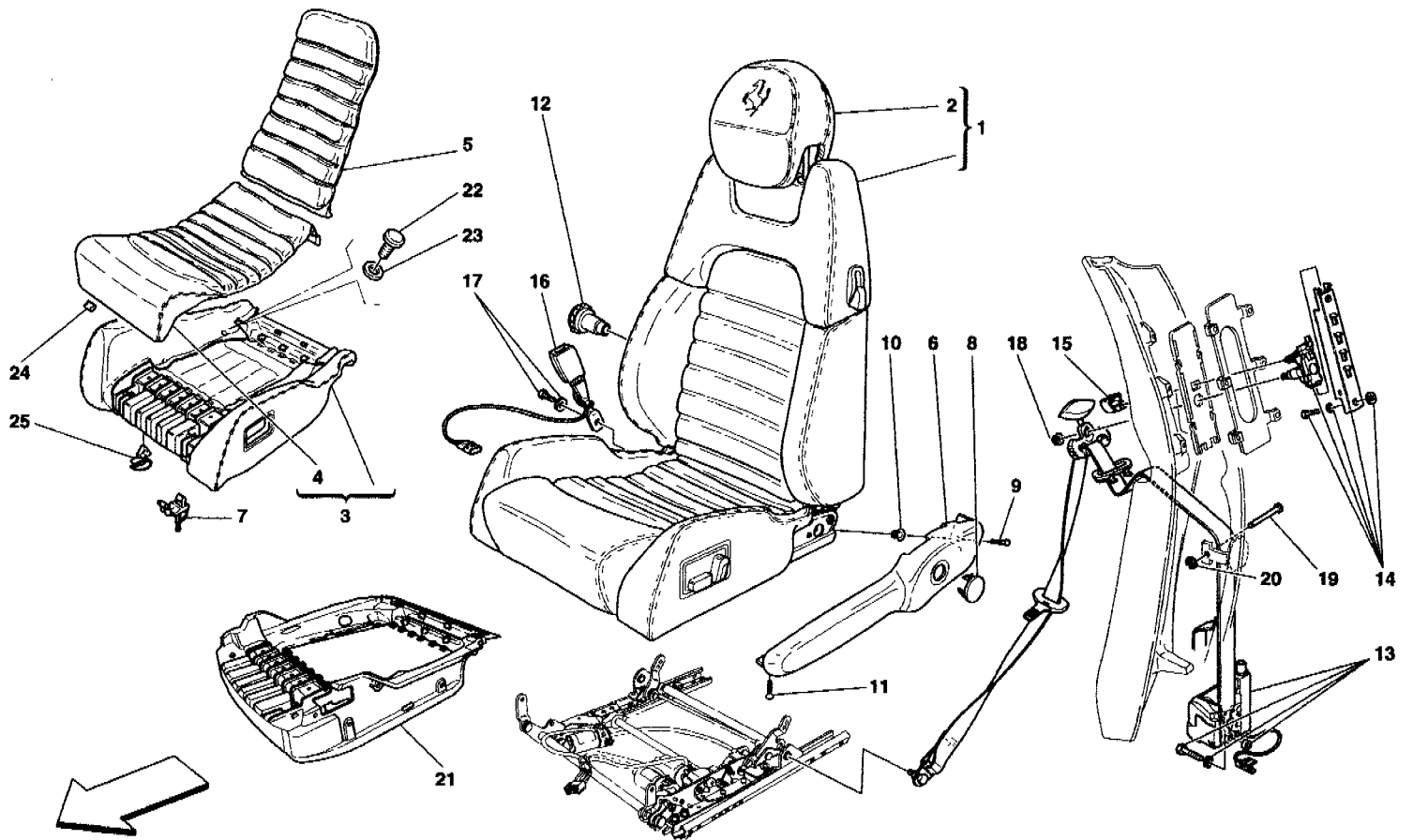
1	655012..	1	COMPLETE PILOT SEAT MANUAL -Not for GD-
1	659356..	1	COMPLETE PILOT SEAT MANUAL -Not for GD- -DAYTONA- -Optional-
1	658445..	1	COMPLETE PILOT SEAT MANUAL -Valid for GD-
1	659458..	1	COMPLETE PILOT SEAT MANUAL -Valid for GD- -DAYTONA- -Optional-
1	655011..	1	COMPLETE PASSENGER SEAT MANUAL -Not for GD- -With adjusting lombar-
1	664820..	1	COMPLETE PASSENGER SEAT MANUAL -Not for GD- -Without lombar adjusting-
1	664822..	1	COMPLETE PASSENGER SEAT MANUAL -Not for GD- -DAYTONA- -Optional-
1	658444..	1	COMPLETE PASSENGER SEAT MANUAL -Valid for GD- -With adjusting lombar-
1	664824..	1	COMPLETE PASSENGER SEAT MANUAL -Valid for GD- -Without lombar adjusting-
1	664827..	1	COMPLETE PASSENGER SEAT MANUAL -Valid for GD- -DAYTONA- -Optional-
1	663262..	2	SEAT BACK LINING
2	659734..	2	COMPLETE HEAD-REST
3	663258..	2	COMPLETE CUSHION
3	674114..	2	COMPLETE CUSHION -DAYTONA- -Optional-
3	671103..	2	L.H. LATERAL CUSHION LINING
3	671105..	2	R.H. LATERAL CUSHION LINING-
4	663257..	2	CENTRAL CUSHION
4	672591..	2	CENTRAL CUSHION -DAYTONA- -Optional-
5	663259..	2	CENTRAL SEAT BACK
5	672592..	2	CENTRAL SEAT BACK -DAYTONA- -Optional-
6	663251..	1	L.H. OUTER COVER SEAT
6	663250..	1	R.H. OUTER COVER SEAT
7	663249..	2	COMPLETE PLUG
8	66370500	2	SCREW
9	66325200	2	NUT SCREW
10	66370600	2	SCREW
11	66325600	2	SIDE ADJUSTING KNOB
12	66325500	2	LUMBAR ADJUSTING KNOB
13	66325300	2	SEAT BACK ADJUSTING KNOB

14	66326000	2	SEAT BACK SIDE BOWDEN CABLE
14	66326100	2	BOWDEN CABLE SHEATH
15	66324100	2	SEAT BACK COVERING
16	66324500	4	SEAT RELEASE LEVER
17	66324400	4	PLATE
18	66324300	4	CLIP
19	66324200	4	SEAT RELEASE CABLE
20	663248..	2	COMPLETE SADDLE
21	66324700	4	CLIP
22	66370200	2	L.H. CLIP
22	66324600	2	R.H. CLIP
23	66323900	1	COMPLETE L.H. SEAT GUIDE
23	66323800	1	COMPLETE R.H. SEAT GUIDE
24	65922100	2	L.H. GUIDE SHIELD
24	65922000	2	R.H. GUIDE SHIELD
25	66327500	8	COMPLETE SCREW
26	66327600	4	FRONT FIXING BUSHING
26	66327700	4	REAR FIXING BUSHING
27	66323200	1	L.H. FRONT ADAPTER
27	66323100	1	R.H. FRONT ADAPTER
28	66372900	8	NUT
29	66323400	1	L.H. BRACKET
29	66323300	1	R.H. BRACKET
30	66327100	8	SCREW
31	66324000	4	CUSHION FIXING CLIP
32	66327900	8	SCREW
33	66323500	4	UPPER PLATE
34	66327100	4	SCREW
35	66323600	4	LOWER PLATE
36	66323700	4	CLIP
37	66326300	2	COMPLETE UNION BAR
38	66328700	4	FIXING RING
39	66329800	1	R.H. MANUAL LOMBAR SYSTEM
39	66370300	1	L.H. MANUAL LOMBAR SYSTEM
40	66329900	4	SCREW
41	65408300	1	COMPLETE L.H. SAFETY BELTS
41	65802500	1	-Not for USA and CDN- COMPLETE L.H. SAFETY BELTS
41	65408200	1	-Valid for USA and CDN- COMPLETE R.H. SAFETY BELTS
41	65802400	1	-Not for USA and CDN- COMPLETE R.H. SAFETY BELTS
42	65408600	2	-Valid for USA and CDN- SAFETY BELTS HEIGHT REGULATOR
43	65408800	2	KNOB
44	65924600	1	PILOT SIDE BUCKLE BRANCH
44	65629100	1	PASSENGER SIDE BUCKLE BRANCH
45	65911400	2	SCREW
45	68636200	2	-Not as spare part- -Replaced by 68636200- SCREW
46	66150500	1	BRACKET FOR BELT
47	16043934	3	-Valid for USA and CDN- SCREW
48	14496524	3	-Valid for USA and CDN- WASHER
49	12601374	3	-Valid for USA and CDN- WASHER
50	66157300	1	-Valid for USA and CDN- BRACKET FOR COVER FIXING
51	66153800	1	-Valid for USA and CDN- COVER

52	168133	2	-Valid for USA and CDN- SCREW
53	66154400	1	-Valid for USA and CDN- BRACKET FOR BELT COUPLER
54	65408700	2	-Valid for USA and CDN- NUT
55	166168	4	REAR SMALL PLATE
56	64858500	2	PIN FOR BRACKET
57	11087776	2	FLEXIBLE RING
58	65917500	4	SCREW
59	65917600	4	WASHER
60	67417500	2	CUSHION END PLATE
61	67282500	16	CLIP
62	67282600	16	WASHER
63	67283300	4	CLIP
64	64025400	4	BUSHING
65	64025500	4	WASHER

For particular colour matchings, make order by Fax or E-m@il, specifying serial number. - See "INNER TRIMS CAR CODES" table for codes of parts covered in leather or moquette.

360 Modena - 123 - ELECTRICAL SEAT - SAFETY BELTS





360 Modena - 123 - ELECTRICAL SEAT - SAFETY BELTS

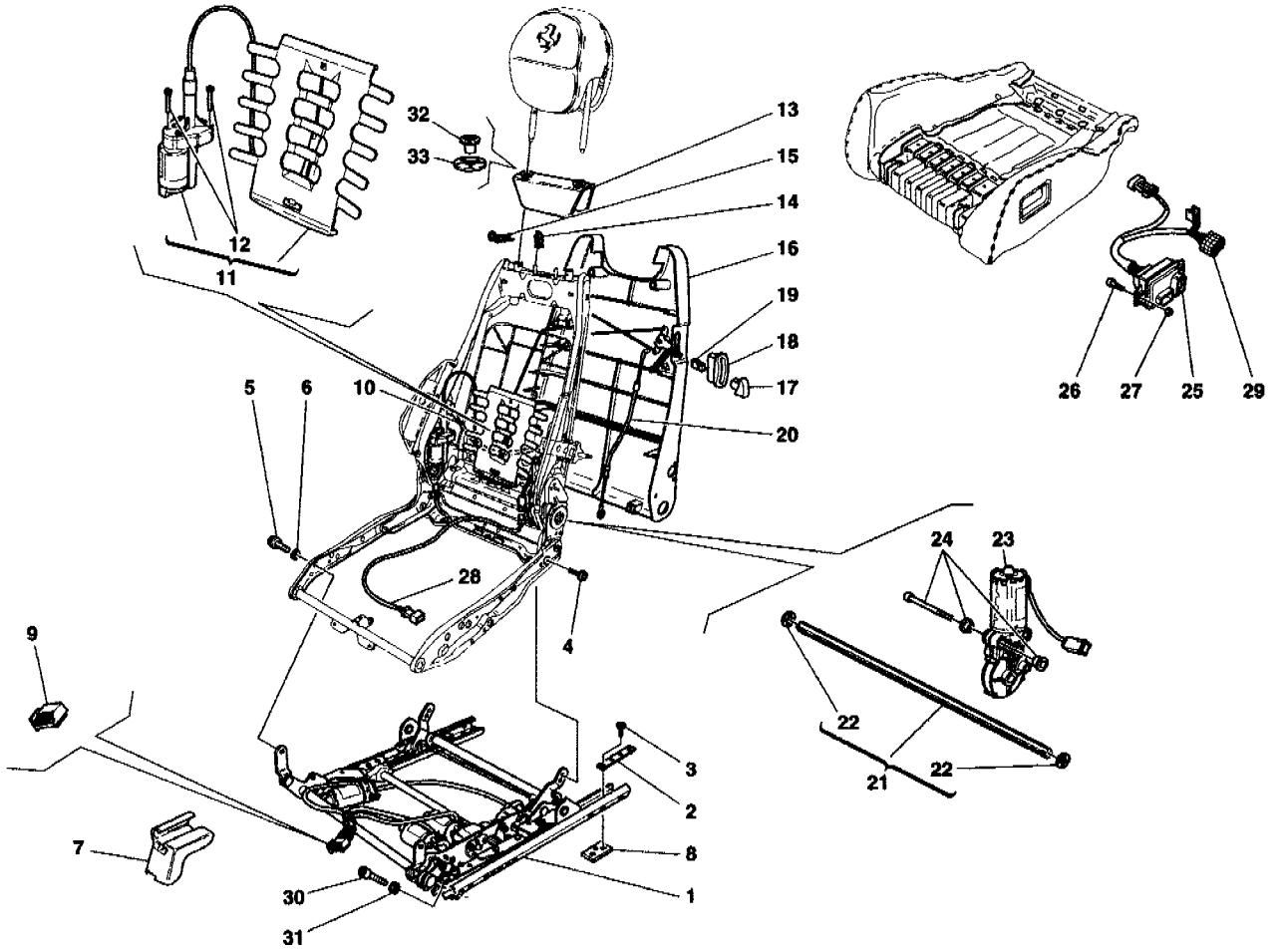
1	635804..	1	COMPLETE PILOT SEAT ELECTRICAL -Not for GD-
1	659360..	1	COMPLETE PILOT SEAT ELECTRICAL -Not for GD- -DAYTONA- -Optional-
1	658443..	1	COMPLETE PILOT SEAT ELECTRICAL -Valid for GD-
1	659460..	1	COMPLETE PILOT SEAT ELECTRICAL -Valid for GD- -DAYTONA- -Optional-
1	635803..	1	COMPLETE PASSENGER SEAT ELECTRICAL -Not for GD-
1	659359..	1	COMPLETE PASSENGER SEAT ELECTRICAL -Not for GD- -DAYTONA- -Optional-
1	658442..	1	COMPLETE PASSENGER SEAT ELECTRICAL -Valid for GD-
1	659464..	1	COMPLETE PASSENGER SEAT ELECTRICAL -Valid for GD- -DAYTONA- -Optional-
1	663262..	2	SEAT BACK LINING
2	659734..	2	COMPLETE HEAD-REST
3	663297..	1	L.H. COMPLETE CUSHION
3	674117..	1	L.H. COMPLETE CUSHION -DAYTONA- -Optional-
3	663296..	1	R.H. COMPLETE CUSHION
3	674118..	1	R.H. COMPLETE CUSHION -DAYTONA- -Optional-
3	663752..	1	L.H. LATERAL CUSHION LINING -Pilot side-
3	671105..	1	R.H. LATERAL CUSHION LINING -Pilot side-
3	671103..	1	L.H. LATERAL CUSHION LINING -Passenger side-
3	663750..	1	R.H. LATERAL CUSHION LINING -Passenger side-
4	663257..	2	CENTRAL CUSHION
4	672591..	2	CENTRAL CUSHION -DAYTONA- -Optional-
5	663259..	2	CENTRAL SEAT BACK
5	672592..	2	CENTRAL SEAT BACK -DAYTONA- -Optional-
6	663251..	1	L.H. OUTER COVER SEAT
6	663250..	1	R.H. OUTER COVER SEAT
7	66324000	4	CUSHION FIXING CLIP
8	663249..	2	COMPLETE PLUG
9	66370500	2	SCREW
10	66325200	2	NUT SCREW
11	66370600	2	SCREW
12	66325600	2	SIDE ADJUSTING KNOB
13	65408300	1	COMPLETE L.H. SAFETY

**BELTS****-Not for USA and CDN-  
COMPLETE L.H. SAFETY  
BELTS****-Valid for USA and CDN-  
COMPLETE R.H. SAFETY  
BELTS****-Not for USA and CDN-  
COMPLETE R.H. SAFETY  
BELTS****-Valid for USA and CDN-  
SAFETY BELTS HEIGHT  
REGULATOR****KNOB****PILOT SIDE BUCKLE BRANCH****PASSENGER SIDE BUCKLE BRANCH****SCREW****-Not as spare part-****-Replaced by 68636200-****SCREW****NUT****PIN FOR BRACKET****FLEXIBLE RING****R.H. CUSHION END PLATE****L.H. CUSHION END PLATE****CLIP****WASHER****CLIP****CLIP**

13	65802500	1
13	65408200	1
13	65802400	1
14	65408600	2
15	65408800	2
16	65629000	1
16	65629100	1
17	65911400	2
17	68636200	2
18	65408700	2
19	64858500	2
20	11087776	2
21	67417600	1
21	67417700	1
22	67282500	16
23	67282600	16
24	67283300	4
25	67286400	10

For particular colour matchings, make order by Fax or E-m@il, specifying serial number. - See "INNER TRIMS CAR CODES" table for codes of parts covered in leather or moquette.

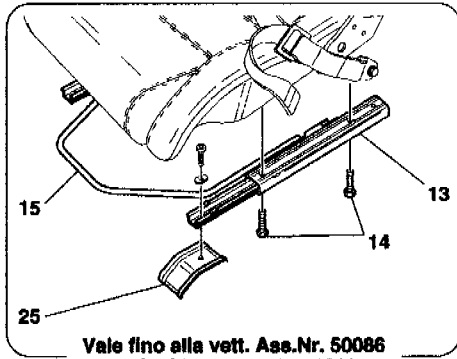
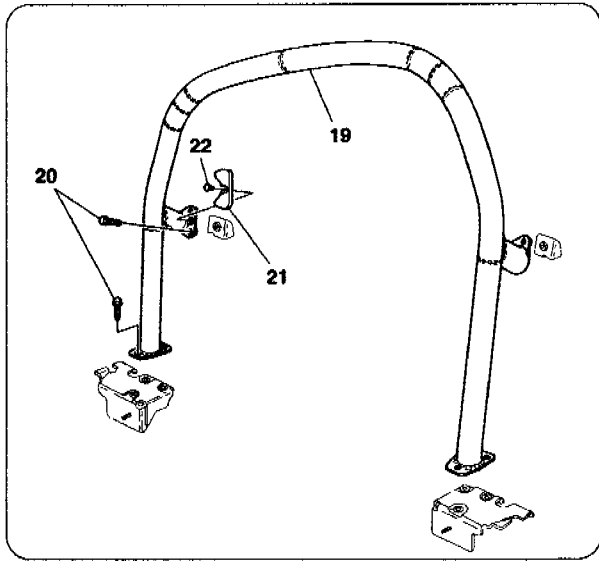
360 Modena - 124 - ELECTRICAL SEAT - GUIDE AND MOVEMENT



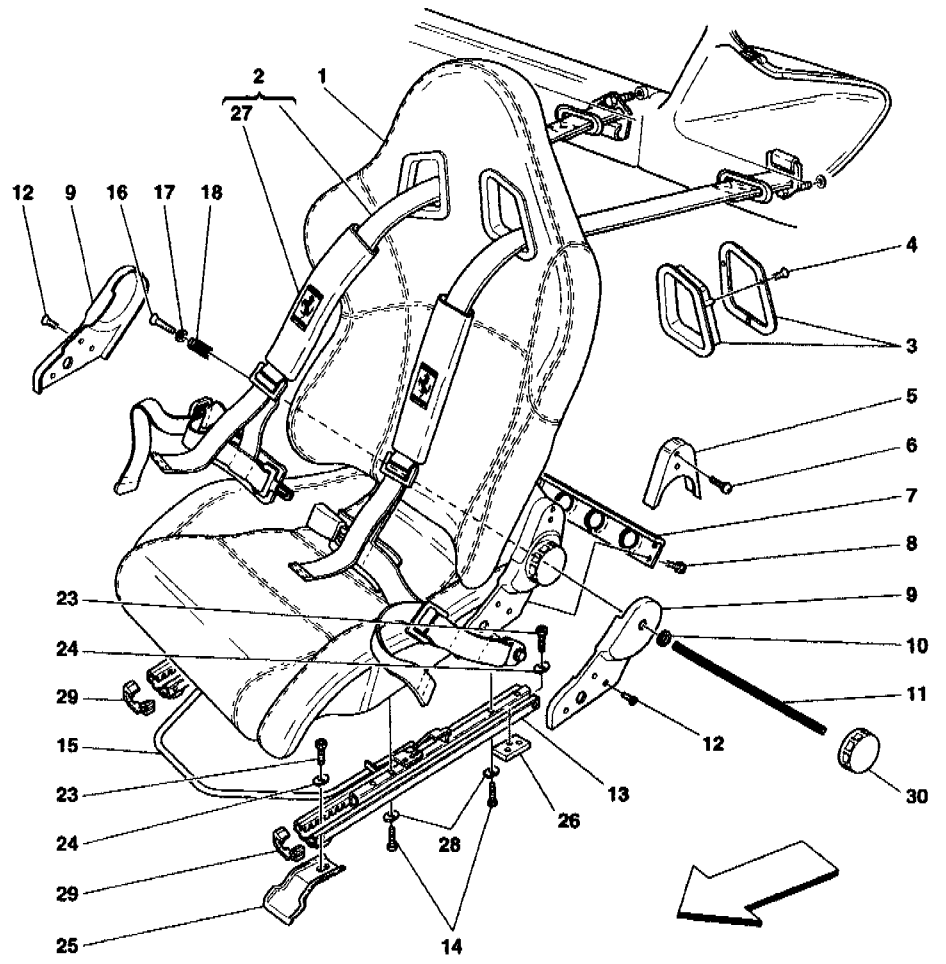
360 Modena - 124 - ELECTRICAL SEAT - GUIDE AND MOVEMENT

1*	66327200	1	R.H. GUIDES
1	66327300	1	L.H. GUIDES
2	66323500	4	UPPER PLATE
3	66327100	4	SCREW
4	66327900	8	SCREW
5	66327500	8	COMPLETE SCREW
6	66327600	4	FRONT FIXING BUSHING
6	66327700	4	REAR FIXING BUSHING
7	66090500	2	L.H. GUIDE SHIELD
7	66090400	2	R.H. GUIDE SHIELD
8	166168	4	REAR SMALL PLATE
9	66328000	2	CONNECTOR
10	66326000	2	SEAT BACK SIDE BOWDEN CABLE
10	66326100	2	BOWDEN CABLE SHEATH
11	66374500	2	ELECTRICAL LOMBAR SYSTEM
12	66328400	4	SCREW
13	663248..	2	COMPLETE SADDLE
14	66324700	4	CLIP
15	66370200	2	L.H. CLIP
15	66324600	2	R.H. CLIP
16	66324100	2	SEAT BACK COVERING
17	66324500	4	SEAT RELEASE LEVER
18	66324400	4	PLATE
19	66324300	4	CLIP
20	66324200	4	SEAT RELEASE CABLE
21	66328800	2	COMPLETE UNION BAR
22	66328700	4	FIXING RING
23	66327800	2	MOTOR FOR SEAT BACK
24	66328500	2	FIXING KIT
25	66329300	1	L.H. SEAT SWITCH PANEL
25	66329200	1	R.H. SEAT SWITCH PANEL
26	66329400	4	SCREW
27	66329500	4	NUT
28	66329100	2	SEAT BACK ELECTRIC WIRING
29	66328900	1	CUSHION ELECTRIC WIRING PILOT SIDE
29	66329000	1	CUSHION ELECTRIC WIRING PASSENGER SIDE
30	65917500	4	SCREW
31	65917600	4	WASHER
32	64025400	4	BUSHING
33	64025500	4	WASHER

For particular colour matchings, make order by Fax or E-m@il, specifying serial number. - See "INNER TRIMS CAR CODES" table for codes of parts covered in leather or moquette.



Vale fino alla vett. Ass.Nr. 50086  
Valid till car Ass.Nr. 50086



## 360 Modena - 125 - RACING SEAT-4 POINT BELTS-ROLL BAR

1	655014..	1	L.H. MEDIUM RACING SEAT LEATHER/LEATHER -Valid till car Ass. Nr. 50086-
1	679136..	1	L.H. MEDIUM RACING SEAT LEATHER/LEATHER -Valid from car Ass. Nr. 50087-
1	662562..	1	L.H. MEDIUM RACING SEAT LEATHER/BLACK TISSUE -Valid till car Ass. Nr. 50086-
1	680122..	1	L.H. MEDIUM RACING SEAT LEATHER/BLACK TISSUE -Valid from car Ass. Nr. 50087-
1	662563..	1	L.H. MEDIUM RACING SEAT LEATHER/BLEU TISSUE -Valid till car Ass. Nr. 50086-
1	680123..	1	L.H. MEDIUM RACING SEAT LEATHER/BLEU TISSUE -Valid from car Ass. Nr. 50087-
1	662564..	1	L.H. MEDIUM RACING SEAT LEATHER/BEIGE TISSUE -Valid till car Ass. Nr. 50086-
1	680124..	1	L.H. MEDIUM RACING SEAT LEATHER/BEIGE TISSUE -Valid from car Ass. Nr. 50087-
1	662565..	1	L.H. MEDIUM RACING SEAT LEATHER/YELLOW TISSUE -Valid till car Ass. Nr. 50086-
1	680125..	1	L.H. MEDIUM RACING SEAT LEATHER/YELLOW TISSUE -Valid from car Ass. Nr. 50087-
1	662566..	1	L.H. MEDIUM RACING SEAT LEATHER/RED TISSUE -Valid till car Ass. Nr. 50086-
1	680126..	1	L.H. MEDIUM RACING SEAT LEATHER/RED TISSUE -Valid from car Ass. Nr. 50087-
1	662567..	1	L.H. MEDIUM RACING SEAT LEATHER/BORDEAUX TISSUE -Valid till car Ass. Nr. 50086-
1	680127..	1	L.H. MEDIUM RACING SEAT LEATHER/BORDEAUX TISSUE -Valid from car Ass. Nr. 50087-
1	659364..	1	L.H. SMALL RACING SEAT LEATHER/LEATHER -Valid till car Ass. Nr. 50086-
1	679138..	1	L.H. SMALL RACING SEAT LEATHER/LEATHER -Valid from car Ass. Nr. 50087-
1	662550..	1	L.H. SMALL RACING SEAT LEATHER/BLACK TISSUE -Valid till car Ass. Nr. 50086-
1	680128..	1	L.H. SMALL RACING SEAT LEATHER/BLACK TISSUE -Valid from car Ass. Nr. 50087-
1	662551..	1	L.H. SMALL RACING SEAT LEATHER/BLEU TISSUE -Valid till car Ass. Nr. 50086-
1	680129..	1	L.H. SMALL RACING SEAT LEATHER/BLEU TISSUE -Valid from car Ass. Nr. 50087-
1	662552..	1	L.H. SMALL RACING SEAT LEATHER/BEIGE TISSUE -Valid till car Ass. Nr. 50086-
1	680130..	1	L.H. SMALL RACING SEAT LEATHER/BEIGE TISSUE -Valid from car Ass. Nr. 50087-
1	662553..	1	L.H. SMALL RACING SEAT LEATHER/YELLOW TISSUE

1	680131..	1	-Valid till car Ass. Nr. 50086- L.H. SMALL RACING SEAT LEATHER/YELLOW TISSUE
1	662554..	1	-Valid from car Ass. Nr. 50087- L.H. SMALL RACING SEAT LEATHER/RED TISSUE
1	680132..	1	-Valid till car Ass. Nr. 50086- L.H. SMALL RACING SEAT LEATHER/RED TISSUE
1	662555..	1	-Valid from car Ass. Nr. 50087- L.H. SMALL RACING SEAT LEATHER/BORDEAUX TISSUE
1	680133..	1	-Valid till car Ass. Nr. 50086- L.H. SMALL RACING SEAT LEATHER/BORDEAUX TISSUE
1	659368..	1	-Valid from car Ass. Nr. 50087- L.H. LARGE RACING SEAT LEATHER/LEATHER
1	679140..	1	-Valid till car Ass. Nr. 50086- L.H. LARGE RACING SEAT LEATHER/LEATHER
1	662574..	1	-Valid from car Ass. Nr. 50087- L.H. LARGE RACING SEAT LEATHER/BLACK TISSUE
1	680134..	1	-Valid till car Ass. Nr. 50086- L.H. LARGE RACING SEAT LEATHER/BLACK TISSUE
1	662575..	1	-Valid from car Ass. Nr. 50087- L.H. LARGE RACING SEAT LEATHER/BLEU TISSUE
1	680135..	1	-Valid till car Ass. Nr. 50086- L.H. LARGE RACING SEAT LEATHER/BLEU TISSUE
1	662576..	1	-Valid from car Ass. Nr. 50087- L.H. LARGE RACING SEAT LEATHER/BEIGE TISSUE
1	680136..	1	-Valid till car Ass. Nr. 50086- L.H. LARGE RACING SEAT LEATHER/BEIGE TISSUE
1	662577..	1	-Valid from car Ass. Nr. 50087- L.H. LARGE RACING SEAT LEATHER/YELLOW TISSUE
1	680137..	1	-Valid till car Ass. Nr. 50086- L.H. LARGE RACING SEAT LEATHER/YELLOW TISSUE
1	662578..	1	-Valid from car Ass. Nr. 50087- L.H. LARGE RACING SEAT LEATHER/RED TISSUE
1	680138..	1	-Valid till car Ass. Nr. 50086- L.H. LARGE RACING SEAT LEATHER/RED TISSUE
1	662579..	1	-Valid from car Ass. Nr. 50087- L.H. LARGE RACING SEAT LEATHER/BORDEAUX TISSUE
1	680139..	1	-Valid till car Ass. Nr. 50086- L.H. LARGE RACING SEAT LEATHER/BORDEAUX TISSUE
1	655013..	1	-Valid from car Ass. Nr. 50087- R.H. MEDIUM RACING SEAT LEATHER/LEATHER
1	679130..	1	-Valid till car Ass. Nr. 50086- R.H. MEDIUM RACING SEAT LEATHER/LEATHER
1	662001..	1	-Valid from car Ass. Nr. 50087- R.H. MEDIUM RACING SEAT LEATHER/LEATHER
1	679142..	1	-Valid for USA and CDN- -Child safety seat optional- -Valid till car Ass. Nr. 50086- R.H. MEDIUM RACING SEAT

LEATHER/LEATHER

-Valid for USA and CDN-

-Child safety seat optional-

-Valid from car Ass. Nr. 50087-

R.H. MEDIUM RACING SEAT  
LEATHER/BLACK TISSUE

-Valid till car Ass. Nr. 50086-

R.H. MEDIUM RACING SEAT  
LEATHER/BLACK TISSUE

-Valid from car Ass. Nr. 50087-

R.H. MEDIUM RACING SEAT  
LEATHER/BLACK TISSUE

-Valid for USA and CDN-

-Child safety seat optional-

-Valid till car Ass. Nr. 50086-

R.H. MEDIUM RACING SEAT  
LEATHER/BLACK TISSUE

-Valid for USA and CDN-

-Child safety seat optional-

-Valid from car Ass. Nr. 50087-

R.H. MEDIUM RACING SEAT  
LEATHER/BLEU TISSUE

-Valid till car Ass. Nr. 50086-

R.H. MEDIUM RACING SEAT  
LEATHER/BLEU TISSUE

-Valid from car Ass. Nr. 50087-

R.H. MEDIUM RACING SEAT  
LEATHER/BLEU TISSUE

-Valid for USA and CDN-

-Child safety seat optional-

-Valid till car Ass. Nr. 50086-

R.H. MEDIUM RACING SEAT  
LEATHER/BLEU TISSUE

-Valid for USA and CDN-

-Child safety seat optional-

-Valid from car Ass. Nr. 50087-

R.H. MEDIUM RACING SEAT  
LEATHER/BEIGE TISSUE

-Valid till car Ass. Nr. 50086-

R.H. MEDIUM RACING SEAT  
LEATHER/BEIGE TISSUE

-Valid from car Ass. Nr. 50087-

R.H. MEDIUM RACING SEAT  
LEATHER/BEIGE TISSUE

-Valid for USA and CDN-

-Child safety seat optional-

-Valid till car Ass. Nr. 50086-

R.H. MEDIUM RACING SEAT  
LEATHER/BEIGE TISSUE

-Valid for USA and CDN-

-Child safety seat optional-

-Valid from car Ass. Nr. 50087-

R.H. MEDIUM RACING SEAT  
LEATHER/YELLOW TISSUE

-Valid till car Ass. Nr. 50086-

R.H. MEDIUM RACING SEAT  
LEATHER/YELLOW TISSUE

-Valid from car Ass. Nr. 50087-

R.H. MEDIUM RACING SEAT  
LEATHER/YELLOW TISSUE

-Valid for USA and CDN-

-Child safety seat optional-

-Valid till car Ass. Nr. 50086-

R.H. MEDIUM RACING SEAT  
LEATHER/YELLOW TISSUE

-Valid for USA and CDN-

-Child safety seat optional-

-Valid from car Ass. Nr. 50087-

R.H. MEDIUM RACING SEAT  
LEATHER/RED TISSUE

1	662556..	1
1	680140..	1
1	670175..	1
1	680141..	1
1	662557..	1
1	680142..	1
1	670176..	1
1	680143..	1
1	662558..	1
1	680144..	1
1	670177..	1
1	680145..	1
1	662559..	1
1	680146..	1
1	670178..	1
1	680147..	1
1	662560..	1



1	680148..	1	-Valid till car Ass. Nr. 50086- R.H. MEDIUM RACING SEAT LEATHER/RED TISSUE
1	670179..	1	-Valid from car Ass. Nr. 50087- R.H. MEDIUM RACING SEAT LEATHER/RED TISSUE -Valid for USA and CDN- -Child safety seat optional-
1	680149..	1	-Valid till car Ass. Nr. 50086- R.H. MEDIUM RACING SEAT LEATHER/RED TISSUE -Valid for USA and CDN- -Child safety seat optional-
1	662561..	1	-Valid from car Ass. Nr. 50087- R.H. MEDIUM RACING SEAT LEATHER/BORDEAUX TISSUE
1	680150..	1	-Valid till car Ass. Nr. 50086- R.H. MEDIUM RACING SEAT LEATHER/BORDEAUX TISSUE
1	670180..	1	-Valid from car Ass. Nr. 50087- R.H. MEDIUM RACING SEAT LEATHER/BORDEAUX TISSUE -Valid for USA and CDN- -Child safety seat optional-
1	680151..	1	-Valid till car Ass. Nr. 50086- R.H. MEDIUM RACING SEAT LEATHER/BORDEAUX TISSUE -Valid for USA and CDN- -Child safety seat optional-
1	659363..	1	-Valid from car Ass. Nr. 50087- R.H. SMALL RACING SEAT LEATHER/LEATHER
1	679132..	1	-Valid till car Ass. Nr. 50086- R.H. SMALL RACING SEAT LEATHER/LEATHER
1	662003..	1	-Valid from car Ass. Nr. 50087- R.H. SMALL RACING SEAT LEATHER/LEATHER -Valid for USA and CDN- -Child safety seat optional-
1	679144..	1	-Valid till car Ass. Nr. 50086- R.H. SMALL RACING SEAT LEATHER/LEATHER -Valid for USA and CDN- -Child safety seat optional-
1	662544..	1	-Valid from car Ass. Nr. 50087- R.H. SMALL RACING SEAT LEATHER/BLACK TISSUE
1	680152..	1	-Valid till car Ass. Nr. 50086- R.H. SMALL RACING SEAT LEATHER/BLACK TISSUE
1	670181..	1	-Valid from car Ass. Nr. 50087- R.H. SMALL RACING SEAT LEATHER/BLACK TISSUE -Valid for USA and CDN- -Child safety seat optional-
1	680153..	1	-Valid till car Ass. Nr. 50086- R.H. SMALL RACING SEAT LEATHER/BLACK TISSUE -Valid for USA and CDN- -Child safety seat optional-
1	662545..	1	-Valid from car Ass. Nr. 50087- R.H. SMALL RACING SEAT LEATHER/BLEU TISSUE
1	680154..	1	-Valid till car Ass. Nr. 50086- R.H. SMALL RACING SEAT LEATHER/BLEU TISSUE
1	670182..	1	-Valid from car Ass. Nr. 50087- R.H. SMALL RACING SEAT LEATHER/BLEU TISSUE

1	680155..	1	-Valid for USA and CDN- -Child safety seat optional- -Valid till car Ass. Nr. 50086- R.H. SMALL RACING SEAT LEATHER/BLEU TISSUE
1	662546..	1	-Valid for USA and CDN- -Child safety seat optional- -Valid from car Ass. Nr. 50087- R.H. SMALL RACING SEAT LEATHER/BEIGE TISSUE
1	680156..	1	-Valid till car Ass. Nr. 50086- R.H. SMALL RACING SEAT LEATHER/BEIGE TISSUE
1	670183..	1	-Valid from car Ass. Nr. 50087- R.H. SMALL RACING SEAT LEATHER/BEIGE TISSUE
1	680157..	1	-Valid for USA and CDN- -Child safety seat optional- -Valid till car Ass. Nr. 50086- R.H. SMALL RACING SEAT LEATHER/BEIGE TISSUE
1	662547..	1	-Valid from car Ass. Nr. 50087- R.H. SMALL RACING SEAT LEATHER/YELLOW TISSUE
1	680158..	1	-Valid till car Ass. Nr. 50086- R.H. SMALL RACING SEAT LEATHER/YELLOW TISSUE
1	670184..	1	-Valid from car Ass. Nr. 50087- R.H. SMALL RACING SEAT LEATHER/YELLOW TISSUE
1	680159..	1	-Valid for USA and CDN- -Child safety seat optional- -Valid till car Ass. Nr. 50086- R.H. SMALL RACING SEAT LEATHER/YELLOW TISSUE
1	662548..	1	-Valid from car Ass. Nr. 50087- R.H. SMALL RACING SEAT LEATHER/RED TISSUE
1	680160..	1	-Valid till car Ass. Nr. 50086- R.H. SMALL RACING SEAT LEATHER/RED TISSUE
1	670185..	1	-Valid from car Ass. Nr. 50087- R.H. SMALL RACING SEAT LEATHER/RED TISSUE
1	680161..	1	-Valid for USA and CDN- -Child safety seat optional- -Valid till car Ass. Nr. 50086- R.H. SMALL RACING SEAT LEATHER/RED TISSUE
1	662549..	1	-Valid from car Ass. Nr. 50087- R.H. SMALL RACING SEAT LEATHER/BORDEAUX TISSUE
1	680162..	1	-Valid till car Ass. Nr. 50086- R.H. SMALL RACING SEAT LEATHER/BORDEAUX TISSUE
1	670186..	1	-Valid from car Ass. Nr. 50087- R.H. SMALL RACING SEAT LEATHER/BORDEAUX TISSUE
1	680163..	1	-Valid for USA and CDN- -Child safety seat optional- -Valid till car Ass. Nr. 50086- R.H. SMALL RACING SEAT LEATHER/BORDEAUX TISSUE

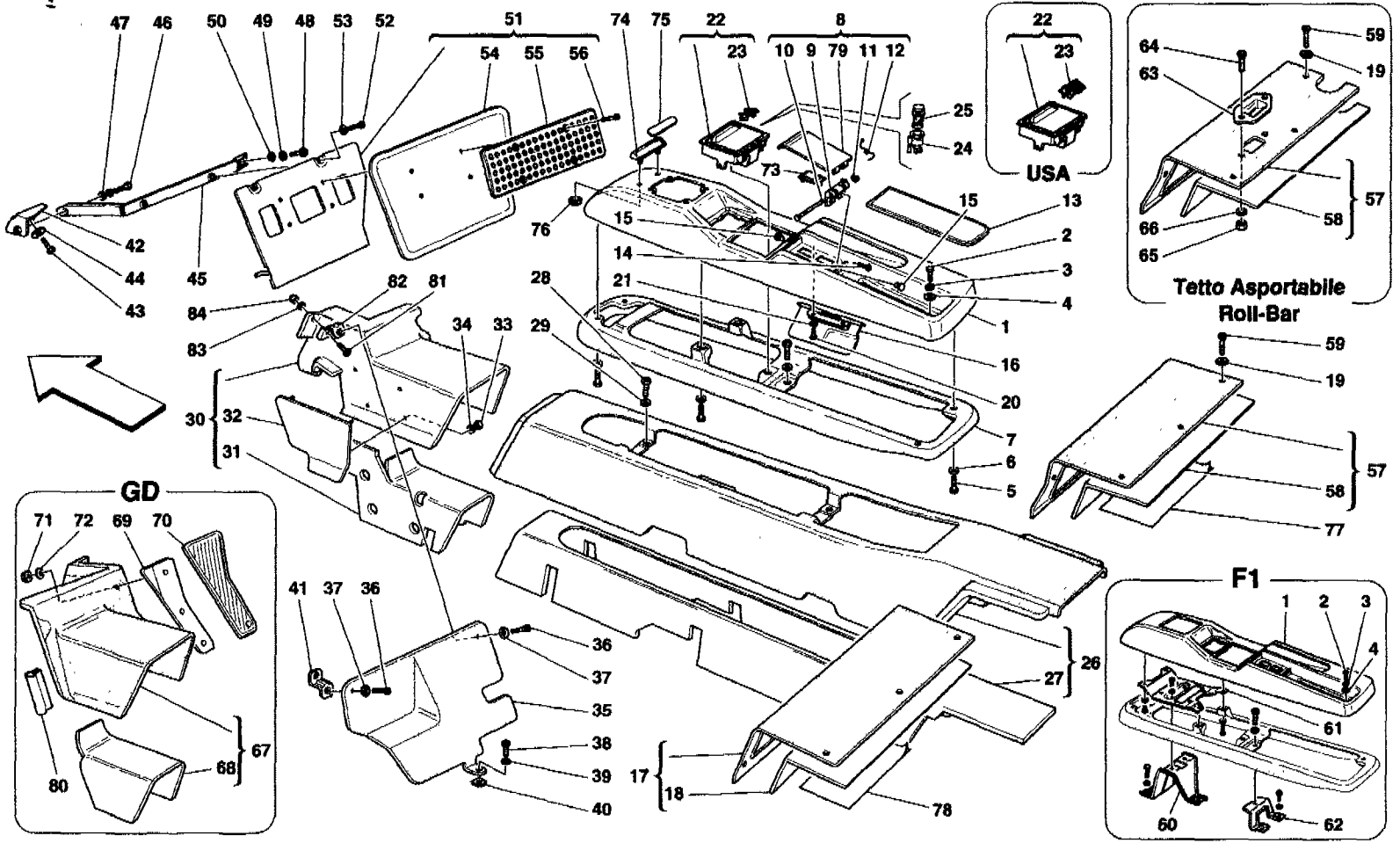
1	659367..	1	-Child safety seat optional- -Valid from car Ass. Nr. 50087- R.H. LARGE RACING SEAT LEATHER/LEATHER
1	679134..	1	-Valid till car Ass. Nr. 50086- R.H. LARGE RACING SEAT LEATHER/LEATHER
1	662005..	1	-Valid from car Ass. Nr. 50087- R.H. LARGE RACING SEAT LEATHER/LEATHER
1	679146..	1	-Valid for USA and CDN- -Child safety seat optional- -Valid till car Ass. Nr. 50086- R.H. LARGE RACING SEAT LEATHER/LEATHER
1	662568..	1	-Valid for USA and CDN- -Child safety seat optional- -Valid from car Ass. Nr. 50087- R.H. LARGE RACING SEAT LEATHER/BLACK TISSUE
1	680164..	1	-Valid till car Ass. Nr. 50086- R.H. LARGE RACING SEAT LEATHER/BLACK TISSUE
1	670187..	1	-Valid from car Ass. Nr. 50087- R.H. LARGE RACING SEAT LEATHER/BLACK TISSUE
1	680165..	1	-Valid for USA and CDN- -Child safety seat optional- -Valid till car Ass. Nr. 50086- R.H. LARGE RACING SEAT LEATHER/BLACK TISSUE
1	662569..	1	-Valid for USA and CDN- -Child safety seat optional- -Valid from car Ass. Nr. 50087- R.H. LARGE RACING SEAT LEATHER/BLEU TISSUE
1	680166..	1	-Valid till car Ass. Nr. 50086- R.H. LARGE RACING SEAT LEATHER/BLEU TISSUE
1	670188..	1	-Valid from car Ass. Nr. 50087- R.H. LARGE RACING SEAT LEATHER/BLEU TISSUE
1	680167..	1	-Valid for USA and CDN- -Child safety seat optional- -Valid till car Ass. Nr. 50086- R.H. LARGE RACING SEAT LEATHER/BLEU TISSUE
1	662570..	1	-Valid for USA and CDN- -Child safety seat optional- -Valid from car Ass. Nr. 50087- R.H. LARGE RACING SEAT LEATHER/BEIGE TISSUE
1	680168..	1	-Valid till car Ass. Nr. 50086- R.H. LARGE RACING SEAT LEATHER/BEIGE TISSUE
1	670189..	1	-Valid from car Ass. Nr. 50087- R.H. LARGE RACING SEAT LEATHER/BEIGE TISSUE
1	680169..	1	-Valid for USA and CDN- -Child safety seat optional- -Valid till car Ass. Nr. 50086- R.H. LARGE RACING SEAT LEATHER/BEIGE TISSUE
1	662571..	1	-Valid for USA and CDN- -Child safety seat optional- -Valid from car Ass. Nr. 50087- R.H. LARGE RACING SEAT LEATHER/YELLOW TISSUE
1	680170..	1	-Valid till car Ass. Nr. 50086- R.H. LARGE RACING SEAT

1	670190..	1	LEATHER/YELLOW TISSUE -Valid from car Ass. Nr. 50087- R.H. LARGE RACING SEAT LEATHER/YELLOW TISSUE -Valid for USA and CDN- -Child safety seat optional- -Valid till car Ass. Nr. 50086-
1	680171..	1	R.H. LARGE RACING SEAT LEATHER/YELLOW TISSUE -Valid for USA and CDN- -Child safety seat optional- -Valid from car Ass. Nr. 50087-
1	662572..	1	R.H. LARGE RACING SEAT LEATHER/RED TISSUE -Valid till car Ass. Nr. 50086-
1	680172..	1	R.H. LARGE RACING SEAT LEATHER/RED TISSUE -Valid from car Ass. Nr. 50087-
1	670191..	1	R.H. LARGE RACING SEAT LEATHER/RED TISSUE -Valid for USA and CDN- -Child safety seat optional- -Valid till car Ass. Nr. 50086-
1	680173..	1	R.H. LARGE RACING SEAT LEATHER/RED TISSUE -Valid for USA and CDN- -Child safety seat optional- -Valid from car Ass. Nr. 50087-
1	662573..	1	R.H. LARGE RACING SEAT LEATHER/BORDEAUX TISSUE -Valid till car Ass. Nr. 50086-
1	680174..	1	R.H. LARGE RACING SEAT LEATHER/BORDEAUX TISSUE -Valid from car Ass. Nr. 50087-
1	670192..	1	R.H. LARGE RACING SEAT LEATHER/BORDEAUX TISSUE -Valid for USA and CDN- -Child safety seat optional- -Valid till car Ass. Nr. 50086-
1	680175..	1	R.H. LARGE RACING SEAT LEATHER/BORDEAUX TISSUE -Valid for USA and CDN- -Child safety seat optional- -Valid from car Ass. Nr. 50087-
2	66140801	1	COMPLETE L.H. 4 POINT SAFETY BELTS -RED- -Not for USA, CDN, AUS and J-
2	66140800	1	COMPLETE L.H. 4 POINT SAFETY BELTS -BLACK- -Not for USA, CDN, AUS and J-
2	66140802	1	COMPLETE L.H. 4 POINT SAFETY BELTS -BLEU- -Not for USA, CDN, AUS and J-
2	66140701	1	COMPLETE R.H. 4 POINT SAFETY BELTS -RED- -Not for USA, CDN, AUS and J-
2	66140700	1	COMPLETE R.H. 4 POINT SAFETY BELTS -BLACK- -Not for USA, CDN, AUS and J-
2	66140702	1	COMPLETE R.H. 4 POINT SAFETY BELTS -BLEU- -Not for USA, CDN, AUS and J-
3	66464400	2	L.H. PLATE
3	66464300	2	R.H. PLATE
4	66464500	12	SCREW
5	66462800	4	CARBON REGULATOR COVER -Valid till car Ass. Nr. 50086-
5	67196100	2	R.H. CARBON REGULATOR COVER

5	67196000	2	-Valid from car Ass. Nr. 50087- L.H. CARBON REGULATOR COVER
6	66462600	8	-Valid from car Ass. Nr. 50087- SCREW
7	66462900	2	CROSS MEMBER
8	66463000	8	SCREW
8	67342600	8	-Valid till car Ass. Nr. 50086- SCREW
9	66463200	1	-Valid from car Ass. Nr. 50087- L.H. SEAT ALLUMINIUM REGULATOR COVER COUPLE
9	68023700	1	-Valid till car Ass. Nr. 50086- L.H. SEAT ALLUMINIUM REGULATOR COVER COUPLE
9	66463100	1	-Valid from car Ass. Nr. 50087- R.H. SEAT ALLUMINIUM REGULATOR COVER COUPLE
9	68023600	1	-Valid till car Ass. Nr. 50086- R.H. SEAT ALLUMINIUM REGULATOR COVER COUPLE
10	66463300	2	-Valid from car Ass. Nr. 50087- WASHER
11	66463400	2	CONNECTION ROD
12	66463500	12	SCREW
12	66464500	12	-Valid till car Ass. Nr. 50086- SCREW
13	66463700	2	-Valid from car Ass. Nr. 50087- L.H. SEAT GUIDE
13	67297800	2	-Valid till car Ass. Nr. 50086- L.H. SEAT GUIDE
13	66463600	2	-Valid from car Ass. Nr. 50087- R.H. SEAT GUIDE
13	67298000	2	-Valid till car Ass. Nr. 50086- R.H. SEAT GUIDE
14	66463900	8	-Valid from car Ass. Nr. 50087- SCREW
14	67347600	12	-Valid till car Ass. Nr. 50086- SCREW
15	66463800	2	-Valid from car Ass. Nr. 50087- SEAT RELEASE LEVER
15	67606100	2	-Valid till car Ass. Nr. 50086- SEAT RELEASE LEVER
16	66464200	2	-Valid from car Ass. Nr. 50087- SCREW
16	67342500	2	-Valid till car Ass. Nr. 50086- SCREW
17	66464100	2	-Valid from car Ass. Nr. 50087- WASHER
18	66464000	2	SPRING
19	657180..	1	COMPLETE ROLL-BAR
20	16287124	10	-Not for USA, CDN and AUS- SCREW
21	657193..	2	-Not for USA, CDN and AUS- COMPLETE COVER
22	64460500	2	SCREW
23	65917800	8	SCREW
24	65806500	8	ELASTIC PLATE
25	65911200	4	PLATE
25	67896200	4	-Valid till car Ass. Nr. 50086- PLATE
26	166168	4	-Valid from car Ass. Nr. 50087- SMALL PLATE
27	65876000	1	BELT PADDING SET -BLACK-
27	65987400	1	-Valid for 4 points safety belts- BELT PADDING SET -RED-
27	65992700	1	-Valid for 4 points safety belts- BELT PADDING SET

			-BLUE-
28	65806500	12	-Valid for 4 points safety belts-
			ELASTIC PLATE
29	67606400	4	-Valid from car Ass. Nr. 50087-
			PLUG
30	67196200	2	-Valid from car Ass. Nr. 50087-
			CARBON KNOB

For particular colour matchings, make order by Fax or E-m@il, specifying serial number. - See "INNER TRIMS CAR CODES" table for codes of parts covered in leather or moquette.



## 360 Modena - 126 - TUNNEL - FRAMEWORK AND ACCESSORIES

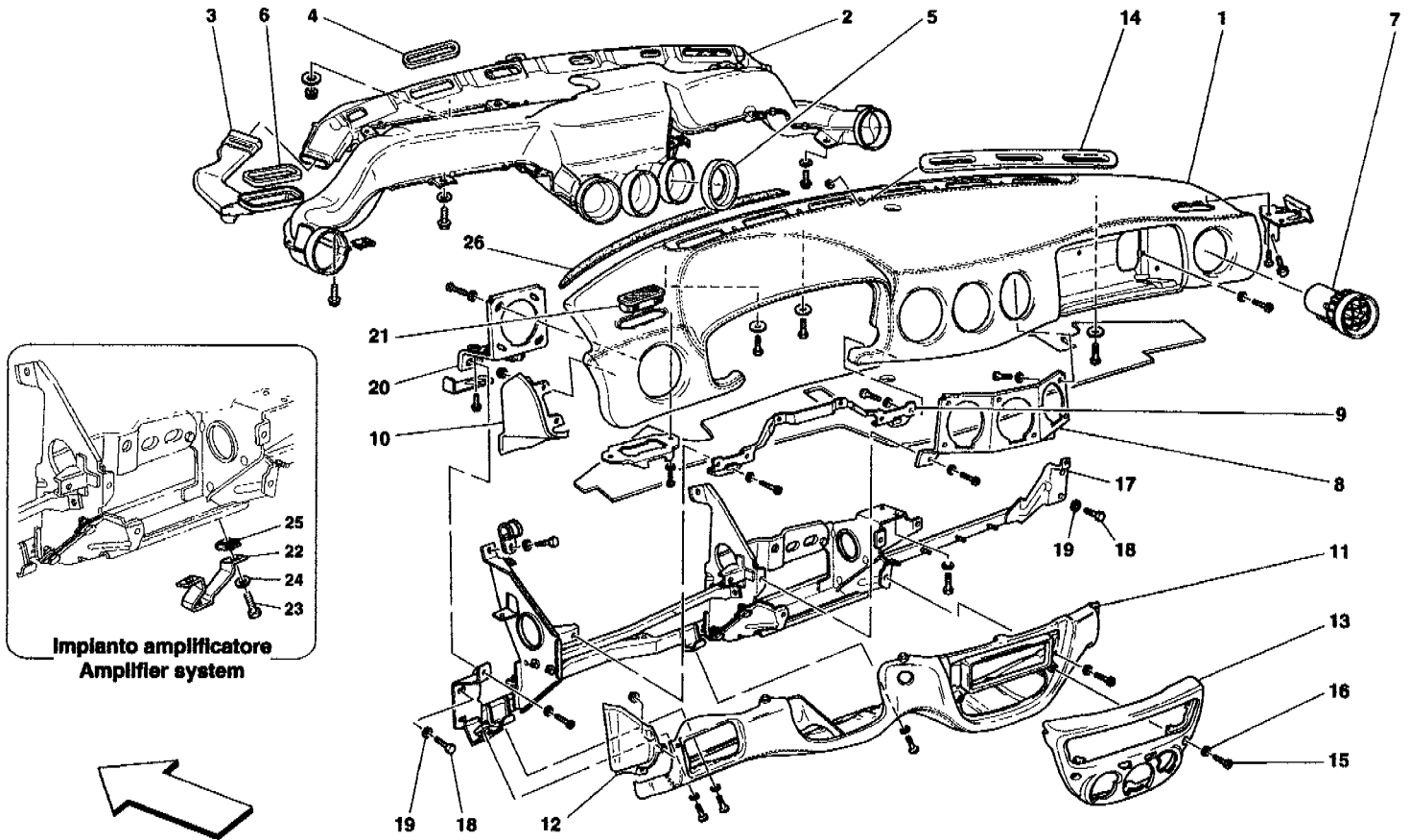
1	65158600	1	CENTRAL UPPER TUNNEL COVER -Not for F1- -Valid till Ass. Nr. 42146-
1	66121500	1	CENTRAL UPPER TUNNEL COVER -Not for F1- -Valid from Ass. Nr. 42147-
1	65386400	1	CENTRAL UPPER TUNNEL COVER -Valid for F1- -Valid till Ass. Nr. 42146-
1	66121600	1	CENTRAL UPPER TUNNEL COVER -Valid for F1- -Valid from Ass. Nr. 42147-
2	16043424	1	SCREW
3	127496	1	WASHER
4	13550301	1	WASHER
5	13276011	5	SCREW
6	12644424	5	WASHER
7	651582..	1	COVERED LOWER CONSOLE LINING
7	651584..	1	LINING
8	65158700	1	SHUTTER ASSEMBLY -Valid till Ass. Nr. 42146-
8	66123500	1	SHUTTER ASSEMBLY -Valid from Ass. Nr. 42147-
9	65308900	1	BOX HINGE -Valid till Ass. Nr. 42146-
9	66121800	1	BOX HINGE -Valid from Ass. Nr. 42147-
10	65309000	1	PIN
11	11087571	2	FLEXIBLE RING
12	65309100	1	SPRING FOR DOOR
13	655492..	1	DRAWER CARPET SHIELD
14	14440524	2	SCREW
15	65391300	2	RUBBER
16	66465700	1	COMPLETE BRAKE DOOR
17	653194..	1	L.H. COVER FOR CONTROL UNIT -Not for Removable Top and Roll-Bar cars-
17	657197..	1	L.H. COVER FOR CONTROL UNIT -Valid for Roll-Bar cars-
17	657287..	1	L.H. COVER FOR CONTROL UNIT -Valid for Removable Top cars-
17	659767..	1	L.H. COVER FOR CONTROL UNIT -Valid for Removable Top and Roll-Bar cars-
18	65388100	1	L.H. INSULATION
19	12611442	8	WASHER -For clear carpets-
19	12611407	8	WASHER -For dark carpets-
20	13272111	2	SCREW
21	10519278	2	WASHER
22	64735500	1	COMPLETE ASH TRAY -Valid till stock exhaustion-
22	67505800	1	COMPLETE ASH TRAY
22	68401700	1	COMPLETE ASH TRAY -Valid for USA MY 2004-
23	64460400	1	FERRARI-PININFARINA MARK
23	68401600	1	"50 YEARS USA" MARK -Valid for USA MY 2004-
24	61107600	1	CIGAR LIGHTER BODY
25	61107500	1	CIGAR LIGHTER
26	653051..	1	REAR SIDE TUNNEL COVER -Not for GD-
26	657128..	1	REAR SIDE TUNNEL COVER



27	65391000	1	-Valid for GD- TUNNEL INSULATION
28	13276470	4	SCREW
29	12644424	4	WASHER
30	650724..	1	FRONT SIDE TUNNEL COVER -Not for GD-
31	65390900	1	FRONT INSULATION TUNNEL -Not for GD-
32	65305300	1	ACCELERATOR PEDAL PROTECTION -Not for GD-
33	10794014	4	NUT -Not for GD-
34	12642801	4	WASHER -Not for GD-
35	657088..	1	UNDER PEDAL COVER -Not for GD-
35	657125..	1	UNDER PEDAL COVER -Valid for GD-
36	13311077	2	SCREW
37	12611107	2	WASHER
38	13273911	1	SCREW
39	12638124	1	WASHER
40	14370971	1	BRACKET
41	65709300	1	L.H. UPPER BRACKET
42	65523500	1	BRACKET -Not for GD-
42	65538800	1	BRACKET -Valid for GD-
43	10902324	1	SCREW
44	12640624	1	WASHER
45	65522900	1	SUPPORT PIPE -Not for GD-
45	65538700	1	SUPPORT PIPE -Valid for GD-
46	10902324	1	SCREW
47	12640624	1	WASHER
48	10902324	1	SCREW
49	12601274	1	WASHER
50	12644424	1	WASHER
51	633553..	1	COMPLETE FOOT-REST FOR PASSENGER -Not for GD-
51	661252..	1	-Valid till Ass. Nr. 42146- COMPLETE FOOT-REST FOR PASSENGER -Not for GD-
51	655380..	1	-Valid from Ass. Nr. 42147- COMPLETE FOOT-REST FOR PASSENGER -Valid for GD-
51	661253..	1	-Valid till Ass. Nr. 42146- COMPLETE FOOT-REST FOR PASSENGER -Valid for GD-
52	13274217	2	SCREW
53	12601177	2	WASHER
54	650715..	1	CARPET -Not for GD-
54	655381..	1	CARPET -Valid for GD-
55	65071600	1	COVER -Valid till Ass. Nr. 42146-
55	66122200	1	COVER -Valid from Ass. Nr. 42147-
56	65847800	4	SCREW
57	653191..	1	R.H. COVER FOR CONTROL UNIT -Not for Removable Top and Roll-Bar cars-
57	657196..	1	R.H. COVER FOR CONTROL UNIT

57	657286..	1	-Valid for Roll-Bar cars- R.H. COVER FOR CONTROL UNIT
57	659766..	1	-Valid for Removable Top cars- R.H. COVER FOR CONTROL UNIT -Valid for Removable Top and Roll-Bar cars-
58	65319200	1	R.H. INSULATION
59	13301770	8	SCREW -For clear carpets-
59	13313477	8	SCREW -For dark carpets-
60	65392000	1	FRONT BRACKET -Valid for F1-
61	65391800	1	F1 GEAR SELECTOR FIXING BRACKET -Valid for F1-
62	65309400	1	CENTRAL BRACKET -Valid for F1-
63	65729400	2	PLATE -Valid for Removable Top cars-
64	62940900	4	SCREW -Valid for Removable Top cars-
65	10725914	4	NUT -Valid for Removable Top cars-
66	12643724	4	WASHER -Valid for Removable Top cars-
67	655419..	1	FRONT SIDE TUNNEL COVER -Valid for GD-
68	65921000	1	FRONT INSULATION TUNNEL -Valid for GD-
69	65917200	1	FOOT-REST FOR DRIVER -Valid for GD-
70	65918000	1	SLAB FOR DRIVER SIDE FOOT REST PLATE -Valid for GD-
71	14059111	3	NUT -Valid for GD-
72	14447001	3	WASHER -Valid for GD-
73	65702100	2	PLUG
74	65918800	1	CUSTOMER PLATE SUPPORT -Optional-
75	65918700	1	CUSTOMER PLATE -Optional-
76	66149100	2	RIVET -Optional-
77	168850	1	R.H. RELAYS AND FUSES NAMEPLATE
78	186646	1	L.H. RELAYS AND FUSES NAMEPLATE
79	65308800	1	DOOR -Valid till Ass. Nr. 42146-
79	66121700	1	DOOR -Valid from Ass. Nr. 42147-
80	66761200	1	GASKET -L.=150mm- -Valid for GD- -Not as spare part- -Replaced by 67681200-
80	67681200	1	GASKET -L.=140mm- -Valid for GD-
81	13274177	1	SCREW
82	65709200	1	BRACKET
83	12637878	1	WASHER
84	113647	1	NUT

For particular colour matchings, make order by Fax or E-m@il, specifying serial number. - See "INNER TRIMS CAR CODES" table for codes of parts covered in leather or moquette.



**Impianto amplificatore**  
**Amplifier system**

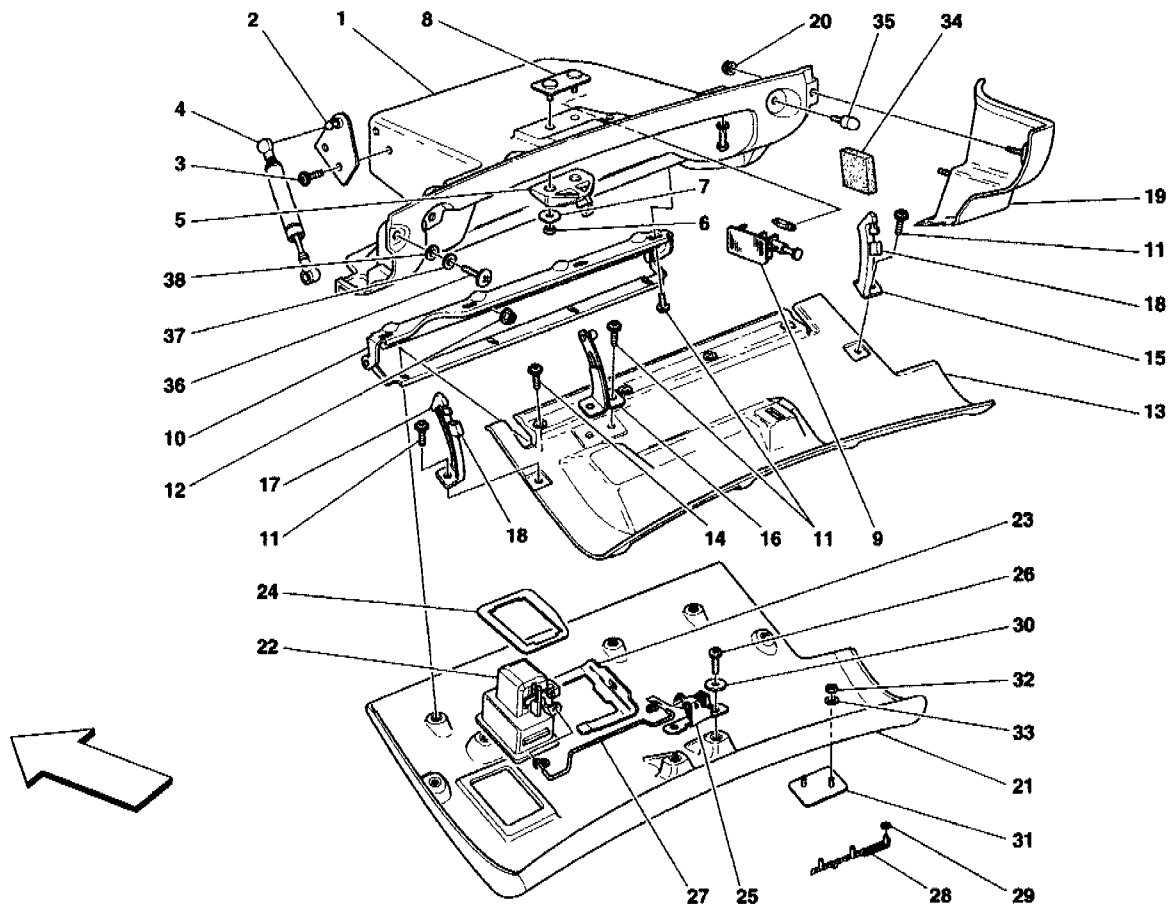
## 360 Modena - 127 - DASHBOARD

1	633311..	1	UPPER SIDE UPHOLSTERED DASHBOARD -Not for GD-
1	655330..	1	UPPER SIDE UPHOLSTERED DASHBOARD -Valid for GD-
2	63352900	1	AIR DUCTING -Not for GD-
2	65536200	1	AIR DUCTING -Valid for GD-
3	65132400	1	L.H. SIDE DUCTING
3	65132300	1	R.H. SIDE DUCTING
4	63352700	6	GASKET -Valid till stock exhaustion-
4	66050600	6	GASKET -Valid after stock exhaustion of 63352700-
5	63353300	5	AIR OPENING GASKET
6	65132500	2	GASKET
7	65159900	5	AIR OPENING
8	63331600	1	PLATE FOR CENTRAL AIR DIFFUSER
9	65018600	1	BRACKET
10	650167..	1	COVERED L.H. LATERAL INSERT
10	650166..	1	COVERED R.H. LATERAL INSERT
11	635473..	1	COVERED L.H. LOWER DASHBOARD -Not for GD-
11	655356..	1	COVERED R.H. LOWER DASHBOARD -Valid for GD-
12	650762..	1	COVERED L.H. LOWER LATERAL INSERT -Not for GD-
12	655359..	1	COVERED R.H. LOWER LATERAL INSERT -Valid for GD-
13	65077100	1	COMPLETE CENTRAL FRAME -Valid till Ass. Nr. 42146-
13	66122100	1	COMPLETE CENTRAL FRAME -Valid from Ass. Nr. 42147-
14	65018300	1	L.H. AIR OUTLET PLATE -Not for GD-
14	65891000	1	L.H. AIR OUTLET PLATE -Valid for GD-
14	65018200	1	R.H. AIR OUTLET PLATE -Not for GD-
14	65891100	1	R.H. AIR OUTLET PLATE -Valid for GD-
15	65311400	4	SCREW
16	65916400	4	WASHER
17	65130400	1	COMPLETE DASHBOARD FRAME ASSEMBLY -Not for GD-
17	65530800	1	COMPLETE DASHBOARD FRAME ASSEMBLY -Valid for GD-
18	16132624	4	SCREW
19	11193274	4	WASHER
20	65132600	1	R.H. DIFFUSER FASTENING PLATE -Not for GD-
20	65533600	1	R.H. DIFFUSER FASTENING PLATE -Valid for GD-
20	65132700	1	L.H. DIFFUSER FASTENING PLATE -Not for GD-
20	65533400	1	L.H. DIFFUSER FASTENING PLATE -Valid for GD-

21	65132800	1	R.H. DEFROSTING OUTLET PLATE
21	65132900	1	L.H. DEFROSTING OUTLET PLATE
22	189908	1	BRACKET FOR FIXING AMPLIFIER BOX -Valid for cars with radio amplifier-
23	10977824	2	SCREW -Valid for cars with radio amplifier-
24	12644424	2	WASHER -Valid for cars with radio amplifier-
25	14371274	3	BRACKET -Valid for cars with radio amplifier-
26	65938300	1	FRONT GASKET

For particular colour matchings, make order by Fax or E-m@il, specifying serial number. - See "INNER TRIMS CAR CODES" table for codes of parts covered in leather or moquette.

360 Modena - 128 - DASHBOARD DRAWER



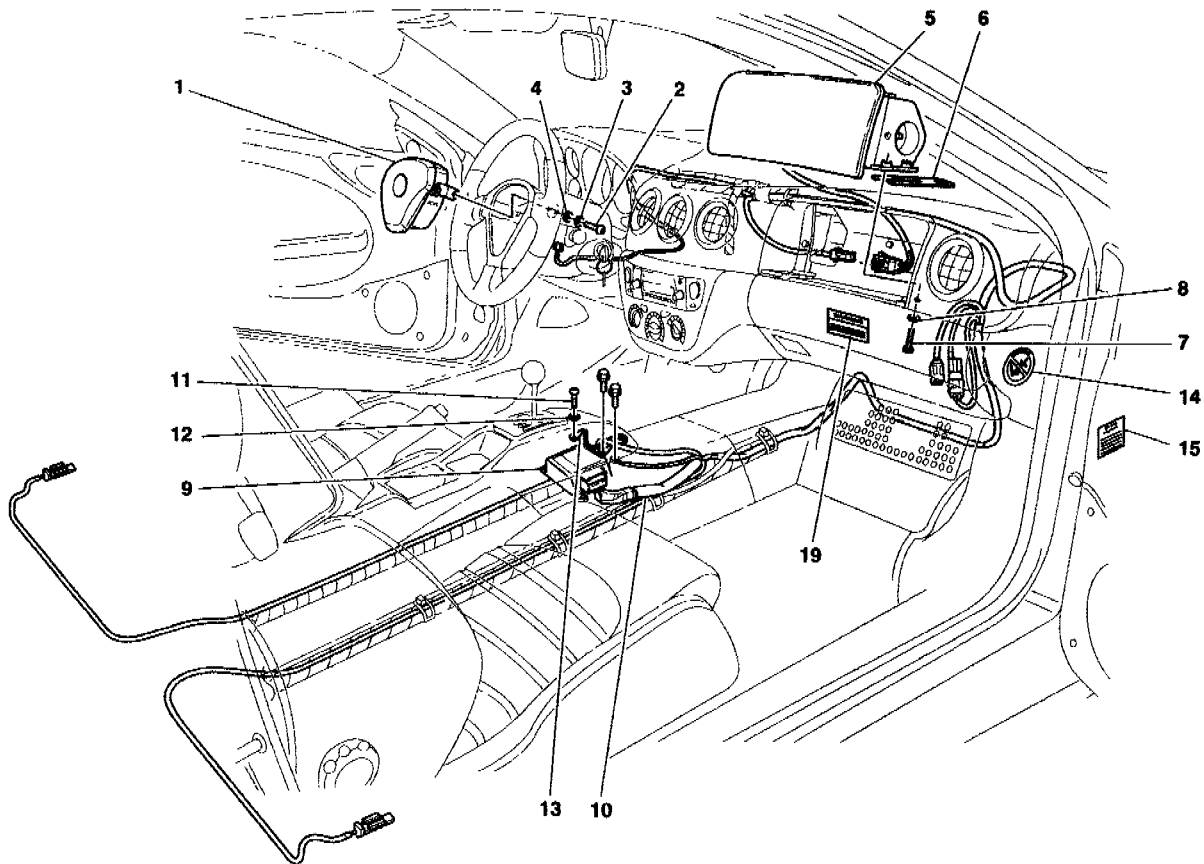
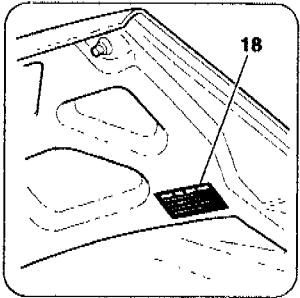
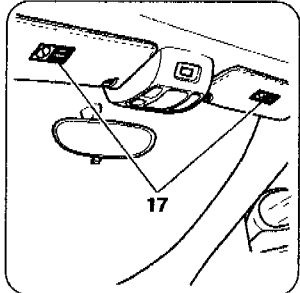
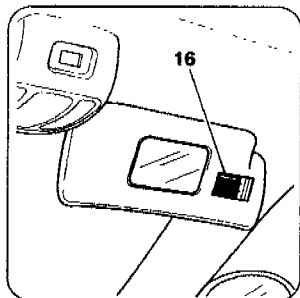
360 Modena - 128 - DASHBOARD DRAWER

1	65077700	1	COMPLETE GLOVE BOX FRAME -Not for GD-
1	65534200	1	COMPLETE GLOVE BOX FRAME -Valid for GD-
2	65805500	1	BRACKET -Not for GD-
2	65805600	1	BRACKET -Valid for GD-
3	65212000	2	SCREW
4	65802700	1	SHOCK ABSORBER FOR DOOR
5	65258900	1	DRAWER CLOSING STRIKER
6	10725017	2	NUT -Not as spare part- -Replaced by 13831811-
6	13831811	2	NUT
7	12638177	2	WASHER -Not as spare part-
8	63765300	1	PLATE
9	171968	1	DOME LAMP
10	65078200	1	BOX HINGE -Not for GD-
10	65535000	1	BOX HINGE -Valid for GD-
11	64460500	8	SCREW
12	13046114	4	NUT
13	65078900	1	DOOR FRAME -Not for GD-
13	65534900	1	DOOR FRAME -Valid for GD-
14	65212000	4	SCREW
15	65079000	1	R.H. TIE ROD
16	65805900	1	BRACKET -Not for GD-
16	65806000	1	BRACKET -Valid for GD-
17	65079100	1	L.H. TIE ROD
18	65079200	2	RUBBER
19	650774..	1	COVERED LATERAL INSERT -Not for GD-
19	655339..	1	COVERED LATERAL INSERT -Valid for GD-
20	13046011	2	NUT
21	650785..	1	COVERED DOOR -Not for GD-
21	655345..	1	COVERED DOOR -Valid for GD-
22	64926500	1	PUSH BUTTON
23	65712000	1	FORK
24	63768900	1	PLATE
25	63768800	1	LOCK
26	13287814	2	SCREW -Not as spare part- -Replaced by 13273872 + 12637878-
26	13273872	2	SCREW
27	65079500	1	TIE ROD -Not for GD-
27	65535400	1	TIE ROD -Valid for GD-
28	65898600	1	"360MODENA" EMBLEM
29	65993800	3	CLIP
30	12637878	2	WASHER
31	66537510	1	"CAMPIONI DEL MONDO 2000" PLATE
31	67253310	1	"CAMPIONI DEL MONDO 2001" PLATE
31	67730610	1	"CAMPIONI DEL MONDO 2002" MARK
31	68124210	1	"CAMPIONI DEL MONDO 2003" MARK
32	16101711	2	NUT
33	12544079	2	WASHER
34	67080200	1	RUBBER THICKNESS

35	62239900	1	PIN
36	13274377	1	SCREW
37	12637878	1	WASHER
38	12638177	1	WASHER

For particular colour matchings, make order by Fax or E-m@il, specifying serial number. - See "INNER TRIMS CAR CODES" table for codes of parts covered in leather or moquette.

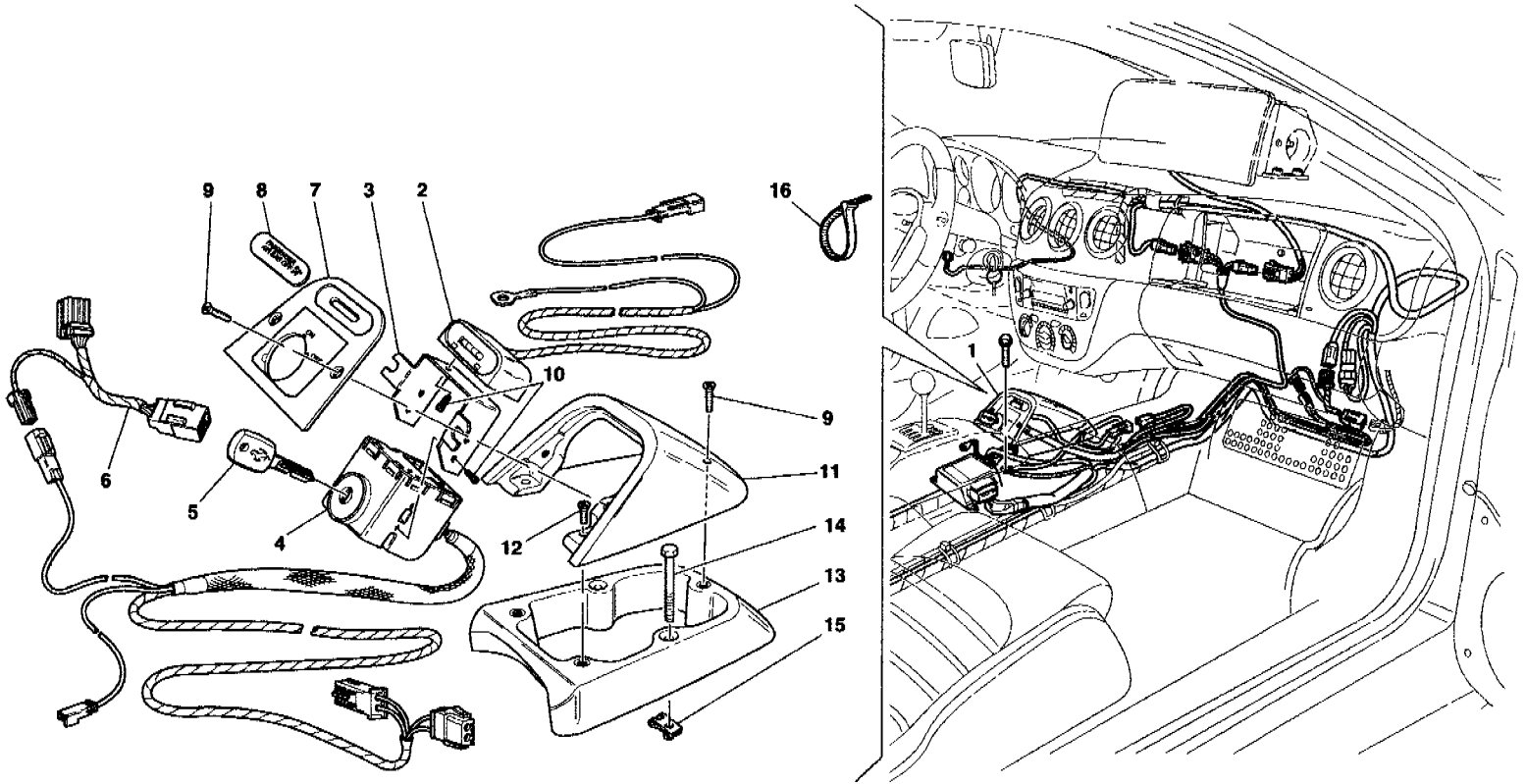




360 Modena - 129 - AIR-BAGS

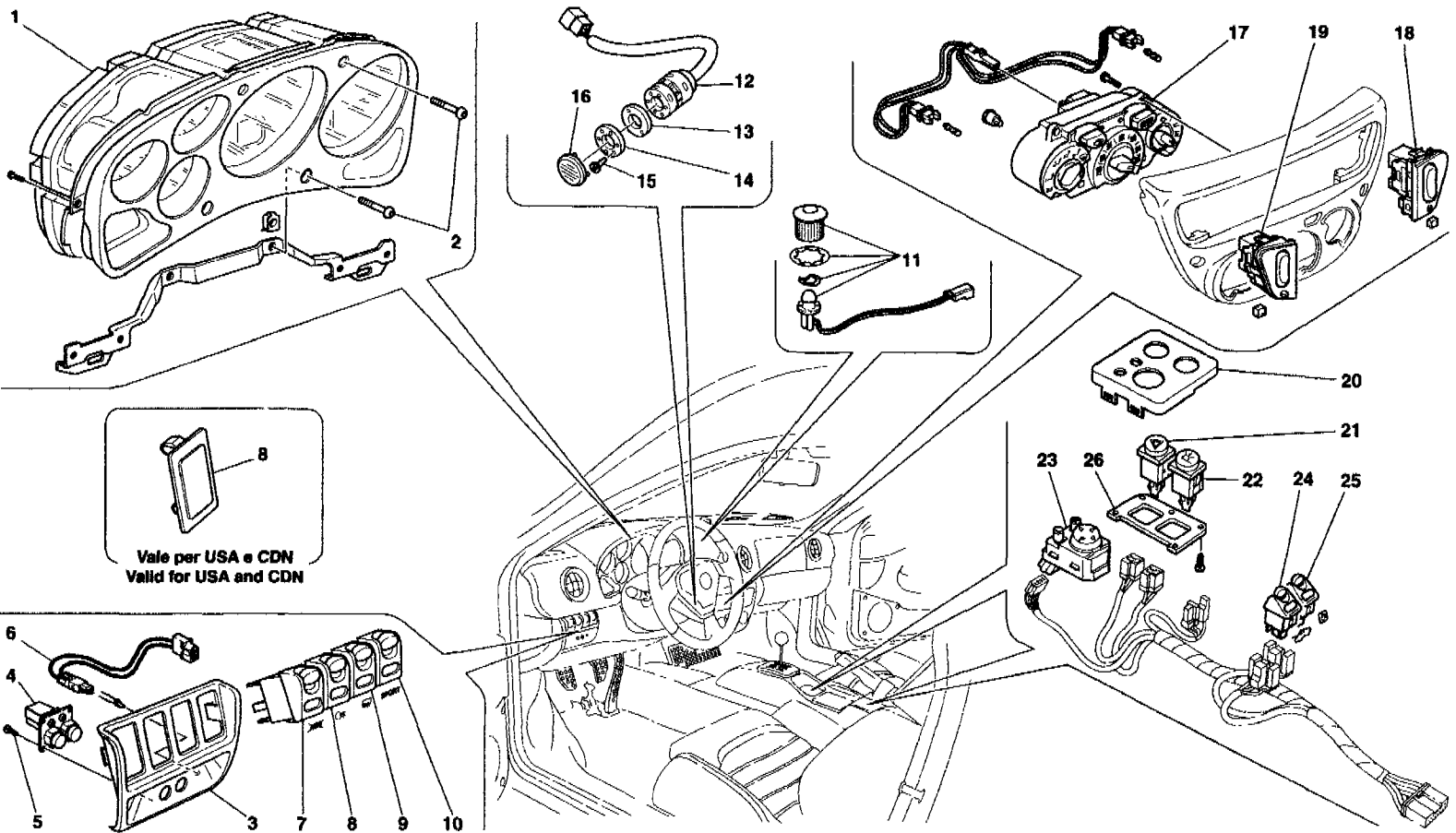
1	662040..	1	DRIVER SIDE AIR-BAG
2	64882800	2	SCREW
3	127494	2	WASHER
4	14499324	2	WASHER
5	651489..	1	PASSENGER SIDE AIR-BAG
5	655825..	1	PASSENGER SIDE AIR-BAG -Not for GD-
6	65133000	4	PASSENGER SIDE AIR-BAG -Valid for GD-
7	16132624	4	SPACER
7	16132721	4	SCREW -Not as spare part- -Replaced by 16132721-
8	10519424	1	SCREW
8	12640624	1	WASHER -Not as spare part- -Replaced by 12640624-
9	179793	1	WASHER
10	164825	1	AIR-BAG CONTROL UNIT
10	201888	1	CABLES FOR AR-BAG CONNECTION -Not as spare part- -Replaced by 201888-
10	182083	1	CABLES FOR AR-BAG CONNECTION EXTENSION -Valid for GD- -Not as spare part- -Replaced by 201889-
10	201889	1	CABLES FOR AR-BAG CONNECTION EXTENSION -Valid for GD-
11	64830600	3	SCREW
12	12605374	3	WASHER
13	160855	1	GROUND CABLE
14	65142000	1	AIR BAG/CHILDREN SEAT INCOMPATIBILITY PLATE -Not for USA, CDN and AUS-
15	64499400	1	AIR BAG MAINTENANCE PLATE -Valid for USA, CDN and AUS-
16	65910700	1	AIR BAG MAINTENANCE PLATE -Not for USA, CDN and AUS-
17	64764500	2	AIR-BAG SYSTEM USE PLATE -Not for USA, CDN and AUS-
17	65423800	2	AIR-BAG SYSTEM USE PLATE -Valid for USA, CDN and AUS-
18	12856780	1	AIR-BAG PLATE
19	65424000	1	AIR-BAG SYSTEM PRESENCE PLATE -Valid for USA, CDN and AUS-

For particular colour matchings, make order by Fax or E-m@il, specifying serial number. - See "INNER TRIMS CAR CODES" table for codes of parts covered in leather or moquette.



360 Modena - 130 - PASSENGER AIR-BAG EXCLUSION KIT

1	65808000	1	COMPLETE PASSENGER AIR-BAG EXCLUSION KIT
2	183494	1	PASSENGER AIR-BAG EXCLUSION WARNING LIGHT
3	183544	1	WARNING LIGHT SUPPORTING BRACKET
4	183496	1	SWITCH FOR DESACTIVATION PASSENGER AIR-BAG
5	183498	2	KEY
6	183492	1	LINK CABLE
7	183518	1	PLATE FOR CONSOLE
8	183495	1	TRANSPARENT COVER
9	159357	3	SCREW
10	15901375	6	SCREW
11	183520	1	CENTRAL CONSOLE
12	13310917	2	SCREW
13	66584900	1	NEUTRAL SHOE FOR CONSOLE
14	10903621	2	SCREW
15	62766300	2	CLIP FOR SCREW
16	182511	1	CLAMP



## 360 Modena - 131 - DASHBOARD INSTRUMENTS

1	164290	1	COMPLETE INSTRUMENT BOARD -Not for USA and GB- -Not as spare part- -Replaced by 185944-
1	185944	1	COMPLETE INSTRUMENT BOARD -Not for USA and GB- -Valid for car with metrical system- -Valid for EU ECE 3- -Valid for J not F1 from car Ass. Nr. 39159- -Valid for J F1 from car Ass. Nr. 39160- -Valid till Ass. Nr. 42146-
1	8185944	1	COMPLETE INSTRUMENT BOARD -Not for USA and GB- -Valid for car with metrical system- -Valid for EU ECE 3- -Valid for J not F1 from car Ass. Nr. 39159- -Valid for J F1 from car Ass. Nr. 39160- -Valid from Ass. Nr. 42147 and till Ass. Nr. 43231- -Valid till stock exhaustion-
1	190026	1	COMPLETE INSTRUMENT BOARD -Not for USA and GB- -Valid for car with metrical system- -Valid from Ass. Nr. 43232 till Ass. Nr. 46967-
1	196336	1	COMPLETE INSTRUMENT BOARD -Not for USA and GB- -Valid for car with metrical system- -Valid from Ass. Nr. 46968- -Valid till stock exhaustion-
1	197663	1	COMPLETE INSTRUMENT BOARD -Not for USA and GB- -Valid for car with metrical system- -Valid from Ass. Nr. 46968- -Valid after stock exhaustion of 196336-
1	177242	1	COMPLETE INSTRUMENT BOARD -Valid for USA- -Not for car with metrical system- -Not as spare part- -Replaced by 186383-
1	186383	1	COMPLETE INSTRUMENT BOARD -Valid for USA- -Not for car with metrical system- -Valid till Ass. Nr. 42146-
1	8186383	1	COMPLETE INSTRUMENT BOARD -Valid for USA- -Not for car with metrical system- -Valid from Ass. Nr. 42147 and till Ass. Nr. 43231- -Valid till stock exhaustion-
1	190027	1	COMPLETE INSTRUMENT BOARD -Valid for USA- -Not for car with metrical system- -Valid from Ass. Nr. 43232 till Ass. Nr. 46967-
1	196337	1	COMPLETE INSTRUMENT BOARD -Valid for USA- -Not for car with metrical system- -Valid from Ass. Nr. 46968- -Valid till stock exhaustion-
1	197664	1	COMPLETE INSTRUMENT BOARD -Valid for USA- -Not for car with metrical system- -Valid from Ass. Nr. 46968- -Valid after stock exhaustion of 196337-
1	179177	1	COMPLETE INSTRUMENT BOARD -Valid for GB- -Not for car with metrical system- -Not as spare part- -Replaced by 185945-
1	185945	1	COMPLETE INSTRUMENT BOARD -Valid for GB- -Not for car with metrical system- -Valid for EU ECE 3- -Valid till Ass. Nr. 42146-
1	8185945	1	COMPLETE INSTRUMENT BOARD -Valid for GB-

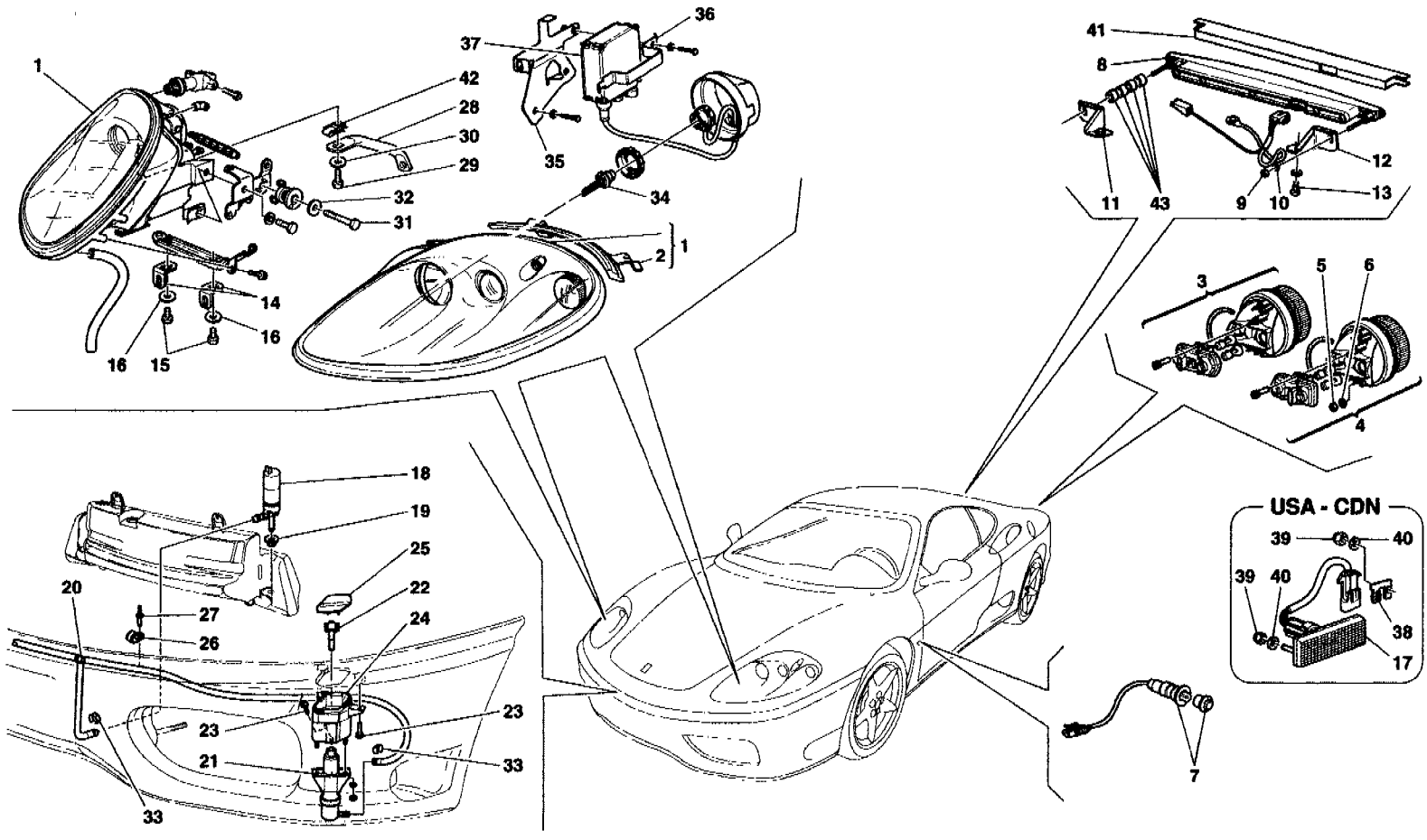
-Not for car with metrical system- -Valid for EU ECE 3-  
-Valid from Ass. Nr. 42147 and till Ass. Nr. 43231-

1	190028	1	COMPLETE INSTRUMENT BOARD -Valid for GB- -Not for car with metrical system- -Valid from Ass. Nr. 43232 till Ass. Nr. 46967-
1	196338	1	COMPLETE INSTRUMENT BOARD -Valid for GB- -Not for car with metrical system- -Valid from Ass. Nr. 46968- -Valid till stock exhaustion-
1	197665	1	COMPLETE INSTRUMENT BOARD -Valid for GB- -Not for car with metrical system- -Valid from Ass. Nr. 46968- -Valid after stock exhaustion of 196338-
2	65311400	4	SCREW
3	65077200	1	SWITCH HOLDER PLATE
4	177902	1	PUSH-BUTTONS FOR INSTRUMENTS FUNCTIONS CONTROL
5	15641175	4	SCREW -Not as spare part- -Replaced by 15901475-
5	15901475	4	SCREW
6	167064	1	ANTI-THEFT WARNING LED
7	180711	1	ASR EXCLUSION CONTROL SWITCH -Valid till Ass. Nr. 35206-
7	180732	1	ASR EXCLUSION CONTROL SWITCH -Valid from Ass. Nr. 35207-
8	180712	1	REAR FOG LIGHT CONTROL SWITCH -Valid till Ass. Nr. 35206- -Not for USA and CDN-
8	180733	1	REAR FOG LIGHT CONTROL SWITCH -Valid from Ass. Nr. 35207- -Not for USA e CDN-
8	171081	1	DUMMY SWITCH -Valid till Ass. Nr. 35206- -Valid for USA and CDN-
8	180687	1	DUMMY SWITCH -Valid from Ass. Nr. 35207- -Valid for USA and CDN- -Not as spare part- -Replaced by 65702100-
8	67084500	1	PLUG -Valid for USA and CDN-
9	180677	1	SWITCH FOR REAR WINDOW DEFROSTER -Valid till Ass. Nr. 35206-
9	180734	1	SWITCH FOR REAR WINDOW DEFROSTER -Valid from Ass. Nr. 35207-
10	180713	1	SPORT SWITCH -Valid till Ass. Nr. 35206-
10	180735	1	SPORT SWITCH -Valid from Ass. Nr. 35207-
11	64692400	1	SENSOR
12	63934200	1	INNER COMPARTMENT TEMPERATURE SENSOR
13	63994700	1	WASHER CASING SENSOR
14	63994600	1	WASHER
15	15915977	2	SCREW
16	63994500	1	SENSOR COVERING GRILL
17	65520500	1	A.C. CONTROL SET -With degrees ° C-
17	65803000	1	A.C. CONTROL SET -With degrees ° F-
18	65520300	1	R.H. SWITCH FOR GLASS LIFT

19	65520400	1	L.H. SWITCH FOR GLASS LIFT
20	64589200	1	SWITCH HOLDER UPPER PLATE -Valid till Ass. Nr. 35380-
20	65992100	1	SWITCH HOLDER UPPER PLATE -Valid from Ass. Nr. 35381-
21	157477	1	EMERGENCY LIGHTS SWITCH -Valid till stock exhaustion-
21	208845	1	EMERGENCY LIGHTS SWITCH
22	157479	1	SWITCH FOR PARKING LIGHT -Valid till stock exhaustion-
22	208847	1	SWITCH FOR PARKING LIGHT
23	153114	1	SWITCH FOR OUTER REARVIEW MIRRORS CONTROL -Valid till Ass. Nr. 35380-
23	181275	1	SWITCH FOR OUTER REARVIEW MIRRORS CONTROL -Valid from Ass. Nr. 35381-
23	191046	1	SWITCH FOR OUTER REARVIEW MIRRORS CONTROL -Valid till stock exhaustion-
24	180666	1	SWITCH FOR OUTER REARVIEW MIRRORS CONTROL -Valid after stock exhaustion of 181275-
24	180730	1	FRONT HOOD OPENING PUSH BUTTON -Valid till Ass. Nr. 35206-
24	180730	1	FRONT HOOD OPENING PUSH BUTTON -Valid from Ass. Nr. 35207-
25	180710	1	FUEL DOOR OPENING PUSH-BUTTON -Valid till Ass. Nr. 35206-
25	180731	1	FUEL DOOR OPENING PUSH-BUTTON -Valid from Ass. Nr. 35207-
26	64589100	1	SWITCH HOLDER LOWER PLATE -Valid till Ass. Nr. 35380-
26	65992200	1	SWITCH HOLDER LOWER PLATE -Valid from Ass. Nr. 35381-



360 Modena - 132 - FRONT AND REAR LIGHTS



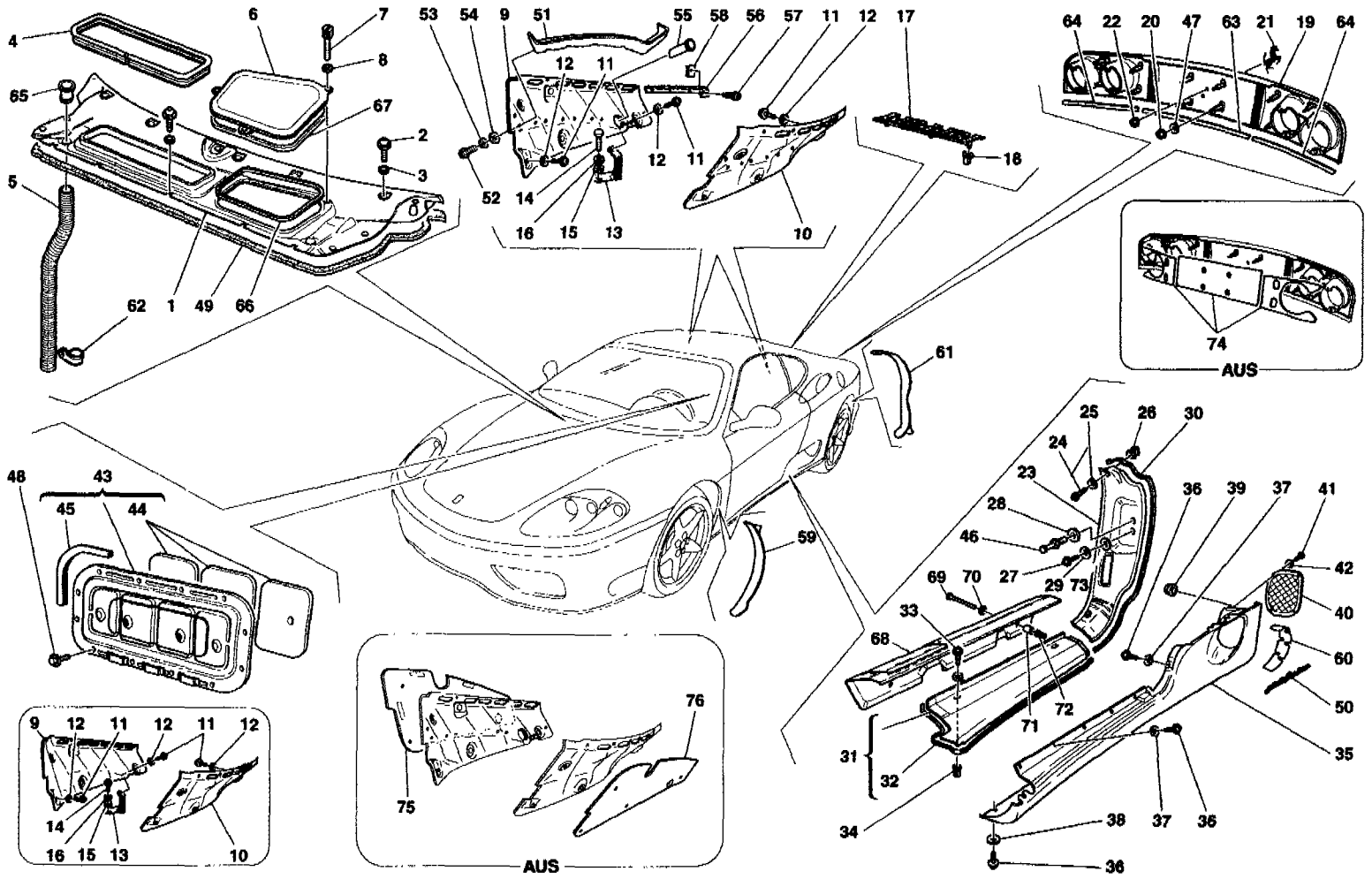
360 Modena - 132 - FRONT AND REAR LIGHTS

1	659946..	1	R.H. HEADLIGHT LOW/HIGH BEAM -Gas lamps- -Not for USA, CDN, GD and J-
1	659947..	1	R.H. HEADLIGHT LOW/HIGH BEAM -Gas lamps- -Valid for USA and CDN-
1	659948..	1	R.H. HEADLIGHT LOW/HIGH BEAM -Gas lamps- -Valid for GD and J-
1	659943..	1	R.H. HEADLIGHT LOW/HIGH BEAM -Not gas lamps- -Not for USA, CDN, GB, AUS and J-
1	659945..	1	R.H. HEADLIGHT LOW/HIGH BEAM -Not gas lamps- -Valid for GB-
1	659952..	1	L.H. HEADLIGHT LOW/HIGH BEAM -Gas lamps- -Not for USA, CDN, GD and J-
1	659953..	1	L.H. HEADLIGHT LOW/HIGH BEAM -Gas lamps- -Valid for USA and CDN-
1	659954..	1	L.H. HEADLIGHT LOW/HIGH BEAM -Gas lamps- -Valid for GD and J-
1	659949..	1	L.H. HEADLIGHT LOW/HIGH BEAM -Not gas lamps- -Not for USA, CDN, GB, AUS and J-
1	659951..	1	L.H. HEADLIGHT LOW/HIGH BEAM -Not gas lamps- -Valid for GB-
2	185376	1	R.H. HEADLIGHT GASKET
2	185377	1	L.H. HEADLIGHT GASKET
3	157514	1	L.H. INNER REAR LIGHT -Not for USA and CDN-
3	157525	1	L.H. INNER REAR LIGHT -Valid for USA and CDN-
3	157513	1	R.H. INNER REAR LIGHT -Not for USA and CDN-
3	157524	1	R.H. INNER REAR LIGHT -Valid for USA and CDN-
4	157516	1	L.H. OUTER REAR LIGHT -Not for USA and CDN-
4	157523	1	L.H. OUTER REAR LIGHT -Valid for USA and CDN-
4	157515	1	R.H. OUTER REAR LIGHT -Not for USA and CDN-
4	157522	1	R.H. OUTER REAR LIGHT -Valid for USA and CDN-
5	102741	8	NUT
6	10519424	8	WASHER
7	165558	2	FRONT SIDE DIRECTION LIGHT
7	180415	2	FRONT SIDE DIRECTION LIGHT -Valid for J- -Not as spare part- -Replaced by 165558-
8	164834	1	ADDITIONAL STOP LIGHT
9	10794014	2	NUT
10	10615274	2	WASHER
11	64865900	1	R.H. BRACKET
12	64866000	1	L.H. BRACKET
13	16286027	2	SCREW
14	65520000	4	FRONT FIXING BRACKET
15	10902024	8	SCREW
16	12640677	8	WASHER
17	147563	2	FRONT SIDE-MARKER LAMP -Valid for USA and CDN-
17	140594	2	REAR SIDE-MARKER LAMP -Valid for USA and CDN-

18	65164700	1	HEADLIGHTS WASHER PUMP -For cars with headlights washer-
19	65511700	1	GASKET -For cars with headlights washer-
20	65363000	1	HEADLIGHTS WASHER PIPE ASSEMBLY -For cars with headlights washer-
21	65380000	2	HEADLIGHTS WASHER FIXED BODY -For cars with headlights washer-
22	65667200	1	R.H. HEADLIGHTS WASHER MOBILE BODY -For cars with headlights washer-
22	65380100	1	L.H. HEADLIGHTS WASHER MOBILE BODY -For cars with headlights washer-
23	15517201	6	SCREW -For cars with headlights washer-
24	65896600	1	R.H. SUPPORT -For cars with headlights washer-
24	65896700	1	L.H. SUPPORT -For cars with headlights washer-
25	65896400	1	R.H. PLUG -For cars with headlights washer-
25	65896500	1	L.H. PLUG -For cars with headlights washer-
26	10441590	4	BRACKET -For cars with headlights washer-
27	14296191	4	RIVET -For cars with headlights washer-
28	65161500	1	R. H. FRONT SIDE LIGHT SUPPORT
28	65161700	1	L. H. FRONT SIDE LIGHT SUPPORT
29	16043934	2	SCREW
30	116413	2	WASHER
31	63234200	2	SCREW
32	12646801	2	WASHER
33	185378	3	CLIP
34	183672	2	BULB -For gas lamps-
35	65705500	1	R.H. BRACKET -For gas lamps-
35	65705600	1	L.H. BRACKET -For gas lamps-
36	65705400	2	BRACKET -For gas lamps-
37	185554	2	FRONT LIGHT CONTROL STATION -For gas lamps-
38	155751	4	CLIP -Valid for USA and CDN-
39	14084111	8	NUT -Valid for USA and CDN-
40	12638124	8	WASHER -Valid for USA and CDN-
41	66120200	1	INSULATION
42	14190190	2	NUT WITH CAGE
43	64529600	8	SPACER

See "COLOUR TABLE" for codes of painted parts.

360 Modena - 133 - SHIELDS - OUTSIDE FINISHING

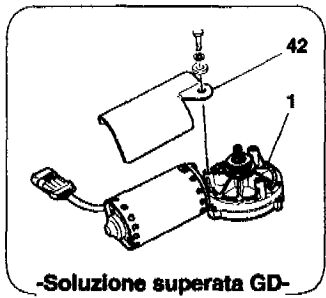


## 360,Modena - 133 - SHIELDS - OUTSIDE FINISHING

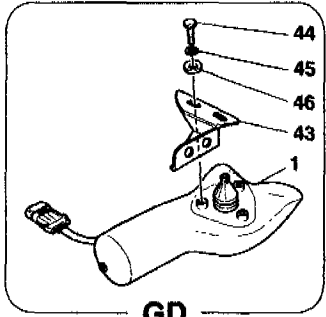
1	65544100	1	WINDSHIELD PLATE -Not for GD-
1	65875200	1	WINDSHIELD PLATE -Valid for GD-
2	64830600	9	SCREW
3	65545900	10	WASHER
4	65750900	1	GASKET
5	65992600	2	WATER EXHAUST TUBE
6	65064300	1	OIL TANK COMPARTMENT COVER -Not for GD-
6	65875400	1	OIL TANK COMPARTMENT COVER -Valid for GD-
7	65750300	3	THREADED PIN
8	14496478	3	WASHER
9	65889600	1	R.H. PANEL -Valid till Ass. Nr. 34276-
9	65977300	1	R.H. PANEL -Valid from Ass. Nr. 34277-
10	65889700	1	L.H. PANEL -Valid till Ass. Nr. 34276-
10	65977400	1	L.H. PANEL -Valid from Ass. Nr. 34277-
11	168133	16	SCREW
12	12624178	16	WASHER
13	65843800	1	R.H. FIXING BRACKET -Valid till Ass. Nr. 34276-
13	65978700	1	R.H. FIXING BRACKET -Valid from Ass. Nr. 34277 and till Ass. Nr. 37219-
13	65991500	1	R.H. FIXING BRACKET -Valid from Ass. Nr. 37220-
13	65844000	1	L.H. FIXING BRACKET -Valid till Ass. Nr. 34276-
13	65978800	1	L.H. FIXING BRACKET -Valid from Ass. Nr. 34277 and till Ass. Nr. 37219-
13	65991800	1	L.H. FIXING BRACKET -Valid from Ass. Nr. 37220-
14	16043624	2	R.H. SIDE SCREW
14	10902474	2	L.H. SIDE SCREW
15	12638524	2	R.H. SIDE WASHER
15	12601274	2	L.H. SIDE WASHER
16	11220079	2	R.H. SIDE WASHER
17	61025000	1	"FERRARI" MARK
18	60324506	2	SAFETY CLIP
19	65001510	1	COMPLETE REAR SIDE COVERING
19	65919700	1	DRILLED COMPLETE REAR SIDE COVERING -OPTIONAL-
20	14059211	12	NUT
21	64865600	1	CAVALLINO RAMPANTE
22	14084011	2	NUT
23	64858900	1	L.H. STRIP COVER -Not for GD-
23	65536500	1	L.H. STRIP COVER -Valid for GD-
23	64858800	1	R.H. STRIP COVER -Not for GD-
23	65536600	1	R.H. STRIP COVER -Valid for GD-
24	15688175	4	SCREW
25	12637878	4	WASHER
26	14201980	4	BLOCK
27	62940900	2	SCREW
28	66751900	2	WASHER

29	12648978	2	WASHER
30	64859000	2	RUBBER PROFILE
31	65525100	1	COMPLETE L.H. KICK PLATE
31	65525000	1	COMPLETE R.H. KICK PLATE
32	65858500	2	RUBBER PROFILE
33	15688875	4	SCREW
34	14115480	4	BLOCK
35	65015110	1	L.H. UNDERDOOR COVERING -Not as spare part- -Valid till Ass. Nr. 34821- -Replaced by 66099510 and grille 66079600-
35	66099510	1	L.H. UNDERDOOR COVERING -Valid from Ass. Nr. 34822-
35	65015010	1	R.H. UNDERDOOR COVERING -Not as spare part- -Valid till Ass. Nr. 34821- -Replaced by 66099410 and grille 66079500-
35	66099410	1	R.H. UNDERDOOR COVERING -Valid from Ass. Nr. 34822-
36	64830600	30	SCREW
37	12643778	12	WASHER
38	12640677	18	WASHER
39	13046114	10	NUT
40	64864700	2	LOWER AIR INTAKE GRILLE -Valid till Ass. Nr. 34821-
40	66079500	1	R.H. LOWER AIR INTAKE GRILLE -Valid from Ass. Nr. 34822-
40	66079600	1	L.H. LOWER AIR INTAKE GRILLE -Valid from Ass. Nr. 34822-
41	15688075	4	SCREW
42	14496277	4	WASHER
43	65524600	1	COMPLETE ENGINE INSPECTION PANEL -Valid till Ass. Nr. 36866-
43	66236100	1	COMPLETE ENGINE INSPECTION PANEL -Valid from Ass. Nr. 36867- -Not as spare part- -Replaced by 68093000-
43	68093000	1	COMPLETE ENGINE INSPECTION PANEL
44	65524500	1	INSULATION -Valid till Ass. Nr. 36866-
44	66215900	1	R.H. INSULATION -Valid from Ass. Nr. 36867- -Not as spare part- -Replaced by 68088100-
44	66216100	1	CENTRAL INSULATION -Valid from Ass. Nr. 36867- -Not as spare part- -Replaced by 68088100-
44	66216000	1	L.H. INSULATION -Valid from Ass. Nr. 36867- -Not as spare part- -Replaced by 68088100-
44	68088100	1	INSULATION
45	65387300	1	GASKET
46	65305800	2	STRIKER
47	119365	4	WASHER
48	16297024	12	SCREW
49	65841800	1	GASKET
50	64780500	2	PININFARINA ORNAMENT
51	65977700	1	R.H. DRAIN FLUTE -Valid from Ass. Nr. 34277-
51	65977800	1	L.H. DRAIN FLUTE -Valid from Ass. Nr. 34277-
52	13833011	24	SCREW -Valid from Ass. Nr. 34277-

53	12604174	24	WASHER -Valid from Ass. Nr. 34277-
54	14447001	24	WASHER -Valid from Ass. Nr. 34277-
55	65978300	2	WATER EXHAUST TUBE -Valid from Ass. Nr. 34277-
56	65979500	1	R.H. FENDER PLATE -Valid from Ass. Nr. 34277-
56	65979600	1	L.H. FENDER PLATE -Valid from Ass. Nr. 34277-
57	15689675	8	SCREW -Valid from Ass. Nr. 34277- -Not as spare part- -Replaced by 13272077-
57	13272077	8	SCREW -Valid from Ass. Nr. 34277-
58	14370571	8	CLIP -Valid from Ass. Nr. 34277-
59	65971600	1	L.H. UPPER ADHESIVE TRACK CLEARER
59	66098200	1	L.H. LOWER ADHESIVE TRACK CLEARER
59	65971500	1	R.H. UPPER ADHESIVE TRACK CLEARER
59	66098300	1	R.H. LOWER ADHESIVE TRACK CLEARER
60	66076100	2	AIR INTAKE ADHESIVE TRACK CLEARER
61	65971800	1	L.H. REAR ADHESIVE TRACK CLEARER
61	65971700	1	R.H. REAR ADHESIVE TRACK CLEARER
62	10442190	2	BRACKET WITH SHEATH
63	65856300	1	RUBBER PROFILE -Not as spare part for USA and CDN-
64	65856400	2	RUBBER PROFILE -Not as spare part for USA and CDN-
65	65004900	2	WATER EXHAUST TUBE
66	64879700	1	PLATE GASKET
67	64879800	1	GASKET
68	660927..	1	L.H. CROSSMEMBER COVERING -Optional- -Leather version-
68	660926..	1	R.H. CROSSMEMBER COVERING -Optional- -Leather version-
69	65071800	2	SCREW -Optional-
70	65916400	2	WASHER -Optional-
71	66093900	2	SPACER -Optional-
72	66759600	2	THREADED INSERT -Optional-
73	63314400	2	WASHER
74	68458600	1	INSULATION ASSEMBLY FOR REAR UPHOLSTERY -Valid from Nr.53911 for AUS-
74	68456800	1	INSULATION ASSEMBLY FOR REAR UPHOLSTERY -Valid from Nr.53911 for AUS- -With drilled complete rear side covering- -Optional-
75	68457100	1	R.H. SHIELD INSULATION -Valid from Nr.53911 for AUS-
76	68457200	1	L.H. SHIELD INSULATION -Valid from Nr.53911 for AUS-



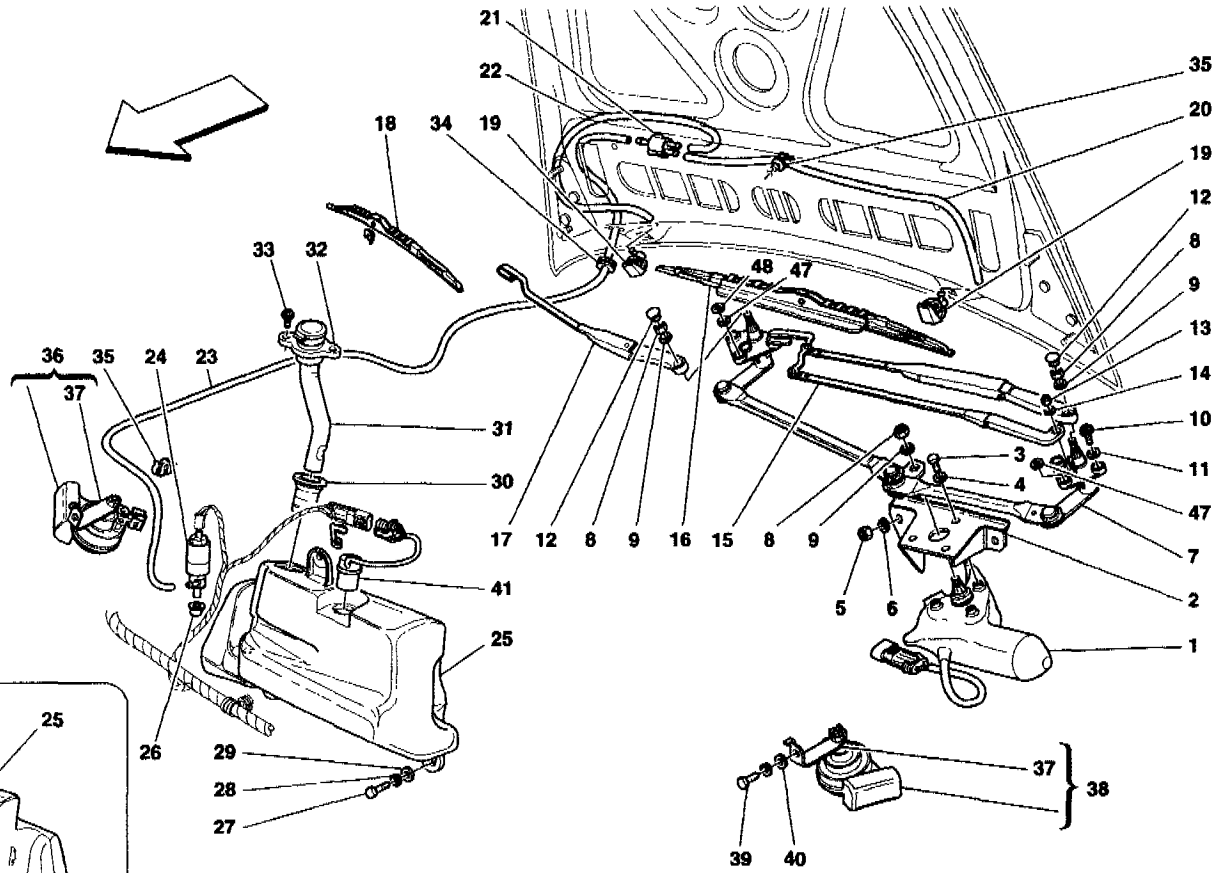
-Soluzione superata GD-  
-GD old solution-



GD



-Versione lavafari-  
-Headlight washer version-

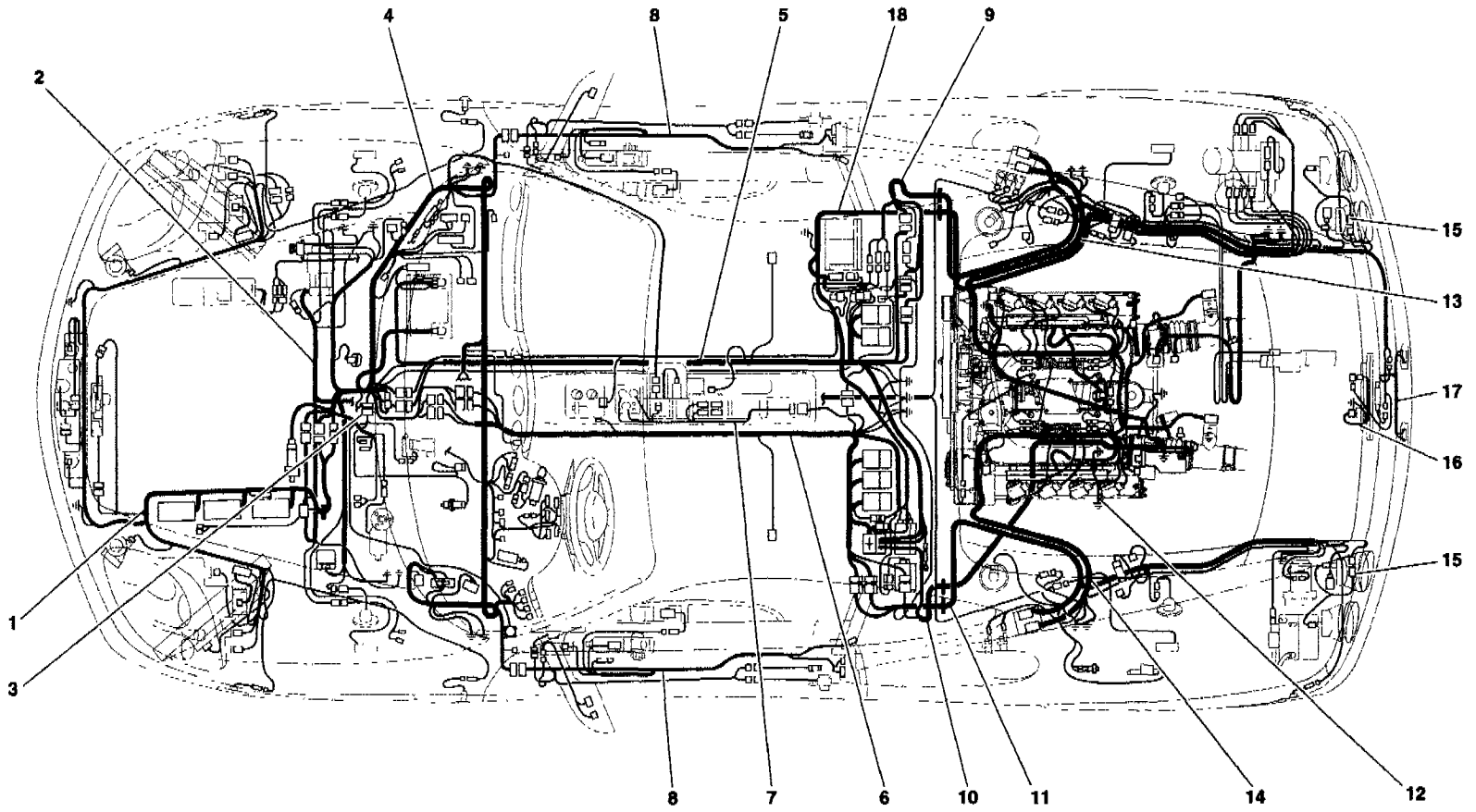




## 360 Modefia - 134 - WINDSHIELD, GLASS WASHER AND HORNS

1	63780200	1	WINDSHIELD WIPER MOTOR
1	65898900	1	WINDSHIELD WIPER MOTOR -Valid for GD- -Not as spare part- -Replaced by 63780200-
2	173416	1	WINDSHIELD WIPER MOTOR FASTENING BRACKET -Not for GD-
2	65397500	1	WINDSHIELD WIPER MOTOR FASTENING BRACKET -Valid for GD-
3	10902224	3	SCREW
4	127494	3	WASHER
5	104030	3	NUT -Not for GD-
6	14496524	3	WASHER -Not for GD-
7	65409100	1	COMPLETE WINDSHIELD WIPER LEVERAGE -Not for GD-
7	65849300	1	COMPLETE WINDSHIELD WIPER LEVERAGE -Valid for GD-
8	16100814	3	NUT
9	12601374	3	WASHER
10	64830600	6	SCREW
11	12644477	6	WASHER
12	65190900	2	SMALL COVER
13	15896472	1	NUT
14	12601176	1	WASHER
15	65409200	1	DRIVER SIDE WINDSHIELD WIPER ARM -Not for GD-
15	65849400	1	DRIVER SIDE WINDSHIELD WIPER ARM -Valid for GD-
16	63776100	1	DRIVER SIDE WIPER BRUSH
17	65409300	1	PASSENGER SIDE WINDSHIELD WIPER ARM -Not for GD-
17	65849500	1	PASSENGER SIDE WINDSHIELD WIPER ARM -Valid for GD-
18	65409400	1	PASSENGER SIDE WIPER BRUSH
19	65191000	2	JET FOR WINDOW WASHING
20	65362600	1	RUBBER HOSE
21	61648100	1	NONRETURN VALVE
22	65362500	1	RUBBER HOSE
23	65362400	1	RUBBER HOSE FROM PUMP TO VALVE
24	65358700	1	WIPER PUMP
25	65809100	1	WINDSHIELD WIPER CONTAINER
25	65581500	1	WINDSHIELD WIPER AND HEADLIGHT WASHER CONTAINER
26	65775100	1	GASKET
27	10902414	3	SCREW -For container 65581500 q.ty 4-
28	10615474	3	WASHER -For container 65581500 q.ty 4-
29	10523424	3	WASHER -For container 65581500 q.ty 4-
30	65581700	1	GASKET
31	65581800	1	PIPE
32	65374000	1	PLUG
33	62940900	2	SCREW
34	10396280	2	GASKET
35	65714300	2	FIXING CLIP

36-	176517	1	COMPLETE R.H. HORN -Valid till stock exhaustion-
36	199231	1	-Replace the couple- COMPLETE R.H. HORN
37	179075	2	-Replace the couple- SUPPORT BRACKET -Valid for r.h. horn 176517 ref. 36 and l.h. horn 176518 ref. 38-
38	176518	1	COMPLETE L.H. HORN -Valid till stock exhaustion-
38	199232	1	-Replace the couple- COMPLETE L.H. HORN
39	10902324	2	-Replace the couple- SCREW
40	12601274	2	WASHER
41	65758700	1	LIQUID SENSOR
42	65899000	1	PROTECTION -Valid for GD-
43	66078400	1	-Not as spare part- INTERMEDIATE BRACKET
44	10902224	2	-Valid for GD- SCREW
45	14499324	2	-Valid for GD- WASHER
46	127494	2	-Valid for GD- WASHER
47	65546300	2	-Valid for GD- BEVEL WASHER
48	12646601	1	WASHER



## 360 Modena - 135 - ELECTRICAL SYSTEM

1	178346	1	FRONT PART CONNECTING CABLES -Valid till Ass. Nr. 37238-
1	183347	1	FRONT PART CONNECTING CABLES -Valid from Ass. Nr. 37239 and till Ass. Nr. 43231-
1	190047	1	FRONT PART CONNECTING CABLES -Valid from Ass. Nr. 43232 till Ass. Nr. 46967-
1	195354	1	FRONT PART CONNECTING CABLES -Valid from Ass. Nr. 46968- -Not as spare part- -Replaced by 200828-
1	200828	1	FRONT PART CONNECTING CABLES -Valid from Ass. Nr. 46968-
2	178310	1	ABS/ASR INSTALLATION CONNECTING CABLES -Not for GD- -Not as spare part- -Replaced by 200827-
2	200827	1	ABS/ASR INSTALLATION CONNECTING CABLES -Not for GD-
2	177243	1	ABS/ASR INSTALLATION CONNECTING CABLES -Valid for GD- -Not as spare part- -Replaced by 200826-
2	200826	1	ABS/ASR INSTALLATION CONNECTING CABLES -Valid for GD-
3	172887	1	PEDAL DEVICE CONNECTING CABLES -Not for GD- -Not for USA MY 2000,2001,2002,2003,2004 and CDN MY 2000,2001,2002,2003,2004- -Valid till Ass. Nr. 38395 not for F1- -Valid till Ass. Nr. 36994 for F1-
3	183686	1	PEDAL DEVICE CONNECTING CABLES -Not for GD- -Valid for USA MY 2000,2001,2002,2003,2004 and CDN MY 2000,2001,2002,2003,2004- -Not for USA MY 2000, '01, '02,'03,'04 and CDN MY 2000, '01,'02,'03,'04 from Ass. Nr. 38396 not for F1 and from Ass. Nr. 36995 for F1- -Not as spare part- -Replaced by 200838-
3	200838	1	PEDAL DEVICE CONNECTING CABLES -Not for GD- -Valid for USA MY 2000,2001,2002,2003,2004 and CDN MY 2000,2001,2002,2003,2004- -Not for USA MY 2000, '01, '02,'03,'04 and CDN MY 2000, '01,'02,'03,'04 from Ass. Nr. 38396 not for F1 and from Ass. Nr. 36995 for F1-
4	177911	1	DASHBOARD CONNECTION CABLES -Valid till Ass. Nr. 34124- -Not for GD- -Not for USA MY 2000,2001,2002,2003,2004 and CDN MY 2000,2001,2002,2003,2004-
4	180206	1	DASHBOARD CONNECTION CABLES -Valid from Ass. Nr. 34125 and till Ass. Nr. 36994- -Not for GD- -Not for USA MY 2000,2001,2002,2003,2004 and CDN MY 2000,2001,2002,2003,2004-
4	179194	1	DASHBOARD CONNECTION CABLES -Valid from Ass. Nr. 36995 and till Ass. Nr. 41813- -Not for GD- -Valid for USA MY 2000,2001,2002,2003,2004 and CDN MY 2000,2001,2002,2003,2004-
4	188897	1	DASHBOARD CONNECTION CABLES -Valid from Ass. Nr. 41814 till Ass. Nr. 46967-

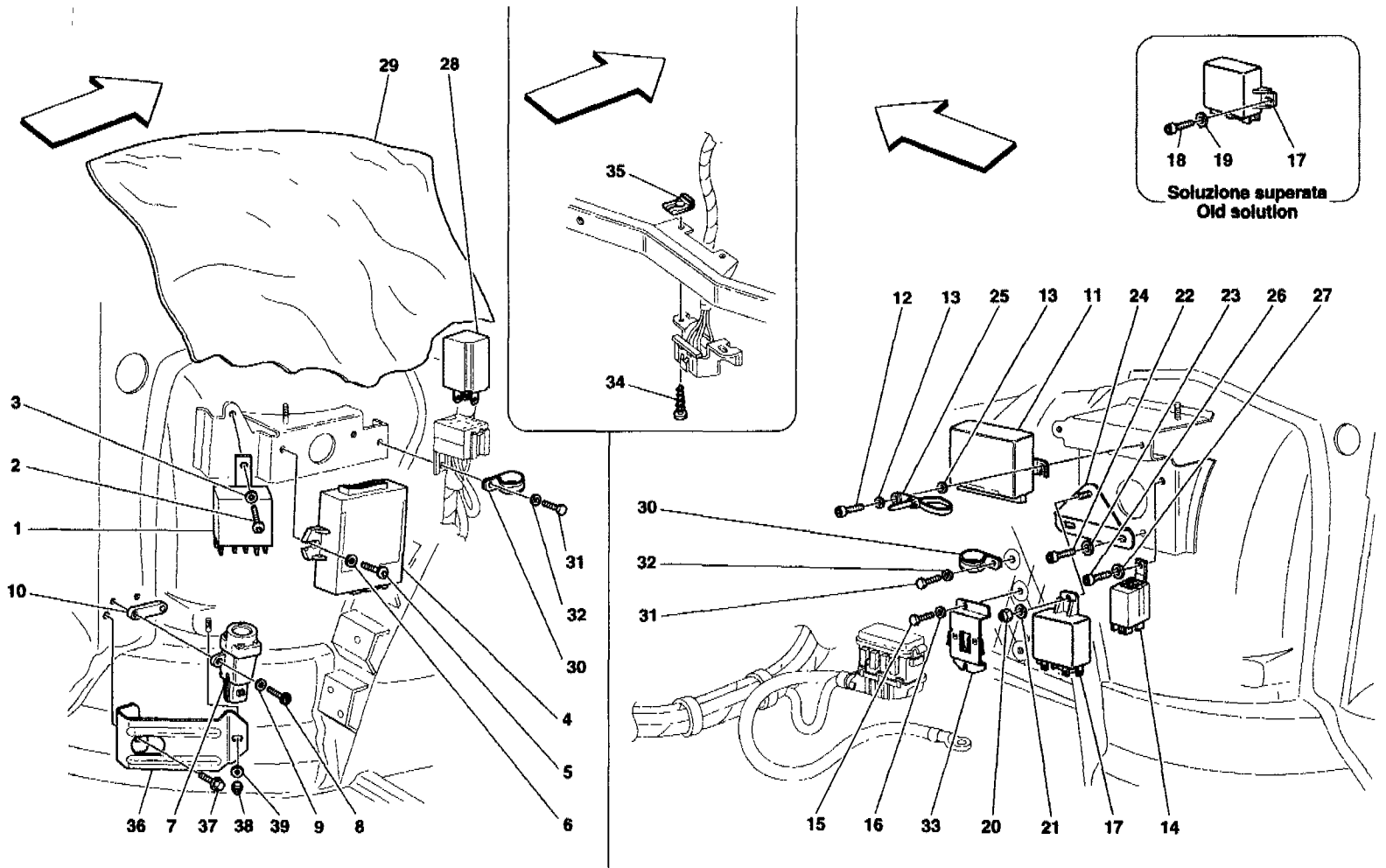
4	195353	1	-Not for GD- -Valid for USA MY 2000,2001,2002,2003,2004 and CDN MY 2000, 2001,2002,2003,2004- DASHBOARD CONNECTION CABLES -Valid from Ass. Nr. 46968- -Not for GD- -Not as spare part-
4	198552	1	-Replaced by 198552- DASHBOARD CONNECTION CABLES -Not for GD-
4	180207	1	DASHBOARD CONNECTION CABLES -Valid till Ass. Nr. 36945- -Valid for GD-
4	181323	1	DASHBOARD CONNECTION CABLES -Valid from Ass. Nr. 36946 and till Ass. Nr. 40324- -Valid for GD-
4	186522	1	DASHBOARD CONNECTION CABLES -Valid from Ass. Nr. 40325 and till Ass. Nr. 41709- -Valid for GD-
4	189234	1	DASHBOARD CONNECTION CABLES -Valid from Ass. Nr. 41710- -Valid for GD- -Not as spare part- -Replaced by 198553-
4	198553	1	DASHBOARD CONNECTION CABLES -Not for GD-
5	177913	1	CABLES FOR R.H. REAR TUNNEL CONNECTION -Not for USA MY 2000,2001,2002,2003,2004 and CDN MY 2000,2001,2002,2003,2004- -Not as spare part- -Replaced by 198554-
5	198554	1	CABLES FOR R.H. REAR TUNNEL CONNECTION -Not for USA MY 2000,2001,2002,2003,2004 and CDN MY 2000,2001,2002,2003,2004-
5	182200	1	CABLES FOR R.H. REAR TUNNEL CONNECTION -Valid for USA MY 2000, 2001,2002,2003,2004 and CDN MY 2000,2001,2002,2003,2004- -Not as spare part- -Replaced by 198555-
5	198555	1	CABLES FOR R.H. REAR TUNNEL CONNECTION -Valid for USA MY 2000,2001,2002,2003,2004 and CDN MY 2000,2001,2002,2003,2004-
6	177914	1	CABLES FOR L.H. REAR TUNNEL CONNECTION -Valid till Ass. Nr. 41815-
6	188899	1	CABLES FOR L.H. REAR TUNNEL CONNECTION -Valid from Ass. Nr. 41816- -Not as spare part- -Replaced by 200847-
6	200847	1	CABLES FOR L.H. REAR TUNNEL CONNECTION -Valid from Ass. Nr. 41816-
7	164814	1	CABLES FOR TUNNEL-CONSOLE CONNECTION -Valid till Ass. Nr. 35380- -Not for AUS-
7	181281	1	CABLES FOR TUNNEL-CONSOLE CONNECTION -Valid from Ass. Nr. 35381- -Not for AUS- -Not as spare part- -Replaced by 200830-
7	200830	1	CABLES FOR TUNNEL-CONSOLE CONNECTION -Valid from Ass. Nr. 35381-

7	178835	1	-Not for AUS- CABLES FOR TUNNEL-CONSOLE CONNECTION -Valid till Ass. Nr. 35380-
7	181282	1	-Valid for AUS- CABLES FOR TUNNEL-CONSOLE CONNECTION -Valid from Ass. Nr. 35381- -Valid for AUS- -Not as spare part- -Replaced by 200832-
7	200832	1	CABLES FOR TUNNEL-CONSOLE CONNECTION -Valid from Ass. Nr. 35381- -Valid for AUS-
8	178709	2	DOOR CONNECTION CABLES -Valid till Ass. Nr. 35720-
8	183327	2	DOOR CONNECTION CABLES -Valid from Ass. Nr. 35721- -Not as spare part- -Replaced by 201104-
8	201104	2	DOOR CONNECTION CABLES -Valid from Ass. Nr. 35721 till Ass. Nr.52139-
8	198209	2	DOOR CONNECTION CABLES -Valid from Ass. Nr. 52140-
9	177912	1	CONNECTION CABLES FOR R.H. ENGINE COMPARTMENT -Not for USA, CDN and AUS- -Valid till stock exhaustion-
9	180797	1	CONNECTION CABLES FOR R.H. ENGINE COMPARTMENT -Valid for USA, CDN and AUS- -Not for USA MY 2000, 2001,2002,2003,2004 and CDN MY 2000, 2001,2002,2003,2004- -Not as spare part- -Replaced by 200839-
9	200839	1	CONNECTION CABLES FOR R.H. ENGINE COMPARTMENT -Valid for USA, CDN and AUS- -Not for USA MY 2000, 2001,2002,2003,2004 and CDN MY 2000, 2001,2002,2003,2004-
9	205659	1	CONNECTION CABLES FOR R.H. ENGINE COMPARTMENT -Valid after stock exhaustion of 177912 and 200839- -Not for USA MY 2000, 2001,2002,2003,2004 and CDN MY 2000, 2001,2002,2003,2004-
9	181112	1	CONNECTION CABLES FOR R.H. ENGINE COMPARTMENT -Valid for USA MY 2000,2001, 2002,2003,2004 and CDN MY 2000,2001,2002,2003,2004- -Not as spare part- -Replaced by 200844-
9	200844	1	CONNECTION CABLES FOR R.H. ENGINE COMPARTMENT -Valid for USA MY 2000,2001, 2002,2003,2004 and CDN MY 2000,2001,2002,2003,2004-
10	179833	1	CONNECTION CABLES FOR MOTOR UTILITIES -Not as spare part- -Replaced by 188108-
10	188108	1	COMPLETE CONNECTION CABLES FOR MOTOR UTILITIES -Not as spare part- -Replaced by 213155-
10	213155	1	COMPLETE CONNECTION CABLES FOR MOTOR UTILITIES
11	178296	1	CONNECTION CABLES FOR L.H. ENGINE COMPARTMENT -Not for USA MY 2000,2001,2002,2003,2004

			and CDN MY 2000,2001,2002,2003,2004- -Not as spare part- -Replaced by 200840-
11	200840	1	CONNECTION CABLES FOR L.H. ENGINE COMPARTMENT -Not for USA MY 2000,2001,2002,2003,2004 and CDN MY 2000,2001,2002,2003,2004-
11	182199	1	CONNECTION CABLES FOR L.H. ENGINE COMPARTMENT -Valid for USA MY 2000,2001,2002,2003,2004 and CDN MY 2000,2001,2002,2003,2004- -Not as spare part- -Replaced by 200843-
11	200843	1	CONNECTION CABLES FOR L.H. ENGINE COMPARTMENT -Valid for USA MY 2000,2001,2002,2003,2004 and CDN MY 2000,2001,2002,2003,2004-
12	155073	1	CABLE FOR ENGINE-FRAME EARTH
13	177781	1	R.H. SIDE ENGINE INJECTION CABLES -Not for USA MY 2000,2001,2002,2003,2004 and CDN MY 2000,2001,2002,2003,2004- -Valid till Ass. Nr. 44103- -Valid till stock exhaustion-
13	192449	1	R.H. SIDE ENGINE INJECTION CABLES -Not for USA MY 2000,2001,2002,2003,2004 and CDN MY 2000,2001,2002,2003,2004- -Valid from Ass. Nr. 44104- -Valid after stock exhaustion of 177781- -Valid till stock exhaustion-
13	199873	1	R.H. SIDE ENGINE INJECTION CABLES -Not for USA MY 2000,2001,2002,2003,2004 and CDN MY 2000,2001,2002,2003,2004- -Valid after stock exhaustion of 192449-
13	181117	1	R.H. SIDE ENGINE INJECTION CABLES -Valid for USA MY 2000,2001,2002,2003,2004 and CDN MY 2000, 2001,2002,2003,2004- -Valid till Ass. Nr. 44103- -Valid till stock exhaustion-
13	192451	1	R.H. SIDE ENGINE INJECTION CABLES -Valid for USA MY 2000,2001,2002,2003,2004 and CDN MY 2000,2001,2002,2003,2004- -Valid from Ass. Nr. 44104- -Valid after stock exhaustion of 181117- -Valid till stock exhaustion-
13	199875	1	R.H. SIDE ENGINE INJECTION CABLES -Valid for USA MY 2000,2001,2002,2003,2004 and CDN MY 2000,2001,2002,2003,2004- -Valid after stock exhaustion of 192451-
14	177782	1	L.H. SIDE ENGINE INJECTION CABLES -Not for USA MY 2000,2001,2002,2003,2004 and CDN MY 2000,2001,2002,2003,2004- -Valid till Ass. Nr. 44103- -Valid till stock exhaustion-
14	192450	1	L.H. SIDE ENGINE INJECTION CABLES -Not for USA MY 2000,2001,2002,2003,2004 and CDN MY 2000,2001,2002,2003,2004- -Valid from Ass. Nr. 44104- -Valid after stock exhaustion of 177782- -Valid till stock exhaustion-
14	199874	1	L.H. SIDE ENGINE INJECTION CABLES -Not for USA MY 2000,2001,2002,2003,2004 and CDN MY 2000,2001,2002,2003,2004- -Valid after stock exhaustion of 192450-
14	181115	1	L.H. SIDE ENGINE INJECTION CABLES -Valid for USA MY 2000,2001,2002,2003,2004 and CDN MY 2000,2001,2002,2003,2004- -Valid till Ass. Nr. 44103- -Valid till stock exhaustion-
14	192452	1	L.H. SIDE ENGINE INJECTION CABLES -Valid for USA MY 2000,2001,2002,2003,2004 and

			CDN MY 2000,2001,2002,2003,2004- -Valid from Ass. Nr. 44104- -Valid after stock exhaustion of 181115- -Valid till stock exhaustion-
14	199876	1	L.H. SIDE ENGINE INJECTION CABLES -Valid for USA MY 2000,2001,2002,2003,2004 and CDN MY 2000,2001,2002,2003,2004-
15	173429	2	-Valid after stock exhaustion of 192452- REAR LIGHTS CONNECTING CABLES -Not for USA and CDN- -Not as spare part- -Replaced by 200836-
15	200836	2	REAR LIGHTS CONNECTING CABLES -Not for USA and CDN-
15	173430	2	REAR LIGHTS CONNECTING CABLES -Valid for USA and CDN- -Not for USA MY 2000,2001,2002,2003,2004 and CDN MY 2000,2001,2002,2003,2004-
15	182208	2	REAR LIGHTS CONNECTING CABLES -Valid for USA MY 2000,2001,2002,2003,2004 and CDN MY 2000,2001,2002,2003,2004- -Not as spare part- -Replaced by 200837-
15	200837	2	REAR LIGHTS CONNECTING CABLES -Valid for USA MY 2000,2001,2002,2003,2004 and CDN MY 2000,2001,2002,2003,2004-
16	168843	1	STOP-LAMP CONNECTION CABLES -Not as spare part- -Replaced by 200825-
16	200825	1	STOP-LAMP CONNECTION CABLES
17	164823	1	CABLES FOR NUMBER PLATE LIGHTS -Valid till Ass. Nr. 36336-
17	182985	1	CABLES FOR NUMBER PLATE LIGHTS -Valid from Ass. Nr. 36337-
18	181343	1	COMPLETE CABLES F1 TRANSMISSION CONNECTION -Valid for F1- -Not as spare part- -Replaced by 200829-
18	200829	1	COMPLETE CABLES F1 TRANSMISSION CONNECTION -Valid for F1- -Valid till stock exhaustion-
18	207330	1	COMPLETE CABLES F1 TRANSMISSION CONNECTION -Valid for F1- -Included relay 194909 Tab. 138 Ref. 16-



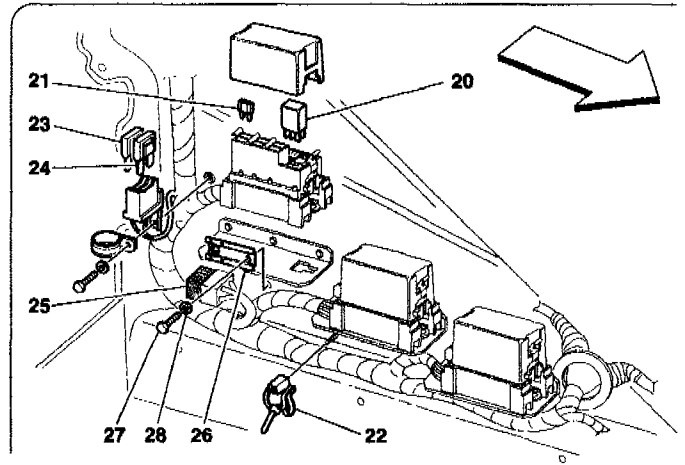
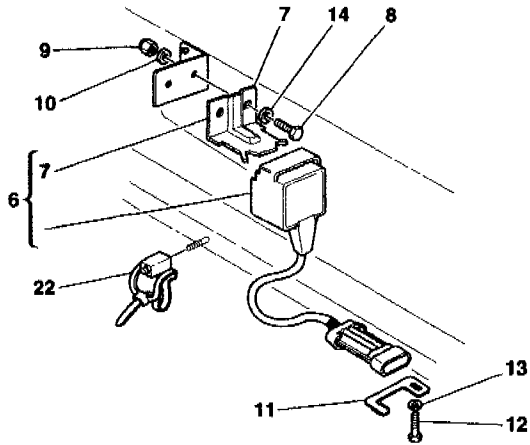
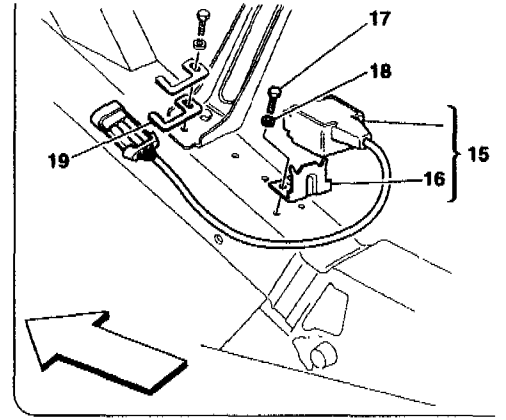
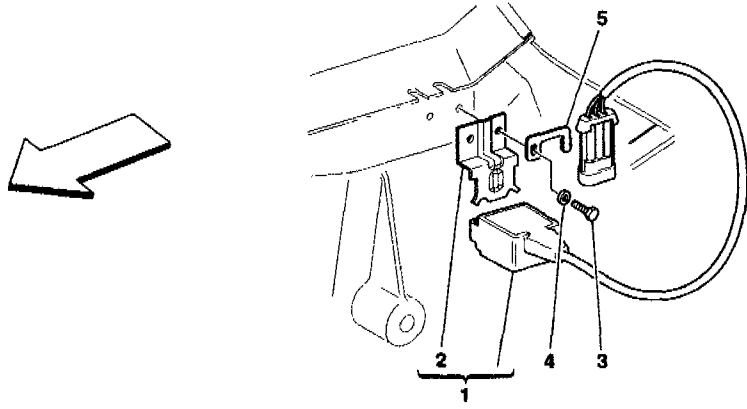


## 360 Modena - 136 - FRONT PASSENGERS COMPARTMENT CONTROL STATIONS

1	166851	1	LOCK/UNLOCK DOORS MODULE -Valid till Ass. Nr. 37242-
1	184391	1	LOCK/UNLOCK DOORS MODULE -Valid from Ass. Nr. 37243-
2	10902024	1	SCREW -Not as spare part- -Replaced by 14304324-
2	14304324	1	SCREW
3	12601274	1	WASHER -Not as spare part- -Replaced by 12637824-
3	12637824	1	WASHER
4	178708	1	GLASS LIFTING ELECTRONIC CONTROL STATION -Not for USA, CDN and AUS- -Valid till Ass. Nr. 45893-
4	178810	1	GLASS LIFTING ELECTRONIC CONTROL STATION -Valid for USA, CDN and AUS- -Valid till Ass. Nr. 37318-
4	182180	1	GLASS LIFTING ELECTRONIC CONTROL STATION -Valid for USA, CDN and AUS- -Valid from Ass. Nr. 37319 till Ass. Nr. 38413-
4	185888	1	GLASS LIFTING ELECTRONIC CONTROL STATION -Valid for USA, CDN and AUS- -Valid from Ass. Nr. 38414- -Not USA, CDN and AUS valid from Ass. Nr. 45894- -Valid till stock exhaustion-
4	213212	1	GLASS LIFTING ELECTRONIC CONTROL STATION -Valid after stock exhaustion of 185888-
5	62940900	2	SCREW
6	10519424	2	WASHER
7	163675	1	INERTIAL SWITCH
8	10977824	2	SCREW
9	12637824	2	WASHER
10	65549800	1	SPACER
11	175222	1	SHOCK ABSORBERS ELECTRONIC CONTROL STATION
12	14304324	2	SCREW
13	12637824	3	WASHER
14	171798	1	DIRECTION-EMERGENCY LIGHT RELAY -Not for USA and CDN-
14	171799	1	DIRECTION-EMERGENCY LIGHT RELAY -Valid for USA and CDN- -Not as spare part- -Replaced by 213326-
14	213326	1	DIRECTION-EMERGENCY LIGHT RELAY -Valid for USA and CDN-
15	10902224	1	SCREW
16	12601274	1	WASHER
17	153095	1	WINDSHIELD WIPER INTERMITTER -Valid till Ass. Nr. 34124-
17	180199	1	WINDSHIELD WIPER INTERMITTER -Valid from Ass. Nr. 34125-
18	62940900	2	SCREW -Valid till Ass. Nr. 34124-
19	10519424	2	WASHER -Valid till Ass. Nr. 34124-
20	102741	1	NUT -Valid from Ass. Nr. 34125-
21	10519424	1	WASHER -Valid from Ass. Nr. 34125-

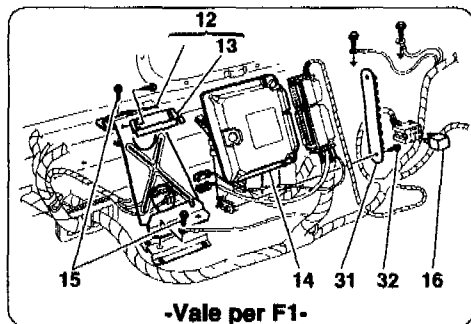
22	14304324	2	SCREW -Valid from Ass. Nr. 34125-
23	12637824	2	WASHER -Valid from Ass. Nr. 34125-
24	181583	1	INTERMITTER FIXING BRACKET -Valid from Ass. Nr. 34125-
25	170011	1	CLAMP
26	14304324	1	SCREW
27	12637824	1	WASHER
28	171455	1	LIGHTWASHERS TIMER -Valid for lightwashers version-
29	66215200	2	WATER PROTECTION CLOTH
30	10441290	2	BRACKET WITH SHEATH
31	10902224	2	SCREW
32	10519424	2	WASHER
33	172943	1	FIXING BRACKET
34	15688170	2	SCREW
35	40136707	2	CLIP
36	65522600	1	SHIELD
37	16296924	1	SCREW
38	102948	1	NUT
39	14496424	1	WASHER

360 Modena - 137 - FRONT AND MOTOR COMPARTMENTS ELECTRICAL BOARDS AND SENSOR

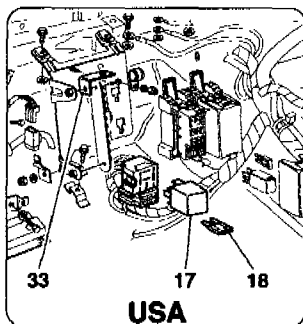


360-Modena - 137 - FRONT AND MOTOR COMPARTMENTS ELECTRICAL BOARDS AND SENSOR

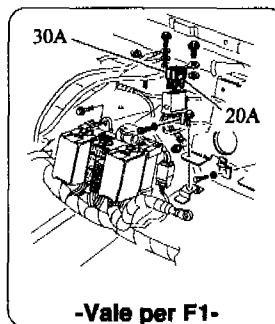
1	175220	1	COMPLETE FRONT VERTICAL ACCELERATION SENSOR
2	178247	1	BRACKET
3	10902024	2	SCREW
4	12601274	2	WASHER
5	162606	2	CLIP
6	175221	1	COMPLETE FRONT LATERAL ACCELERATION SENSOR
7	178251	1	BRACKET
8	10902024	2	SCREW
9	10720111	2	NUT
10	12648277	2	WASHER
11	156198	1	CLIP
12	10902224	1	SCREW
13	10519424	1	WASHER
14	12601274	2	WASHER
15	176923	1	COMPLETE REAR VERTICAL ACCELERATION SENSOR
16	178249	1	BRACKET
17	10902024	2	SCREW
18	12601274	2	WASHER
19	156198	2	CLIP
20	161590	7	MICRO-RELAY 20 A.
20	161590	1	MICRO-RELAY 20 A. -Valid from Ass. Nr. 46968-
20	172882	2	MICRO-RELAY 30 A.
21	172881	2	FUSE 30 A.
21	172880	1	FUSE 25 A.
21	172878	6	FUSE 15 A.
21	172875	4	FUSE 5 A.
21	172876	4	FUSE 7,5 A.
22	177553	2	CLAMP
23	166835	1	FUSE 40 A.
24	172881	1	FUSE 30 A.
25	183209	1	FRONT COMPARTMENT LIGHT TIMER
26	155184	1	FIXING BRACKET
27	10902024	1	SCREW
28	14496424	1	WASHER



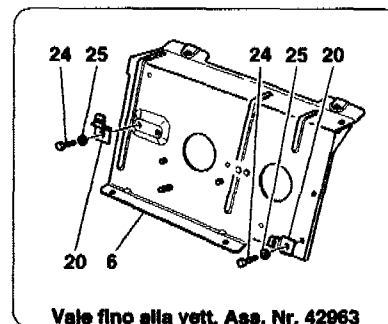
-Vale per F1-  
-Valid for F1-



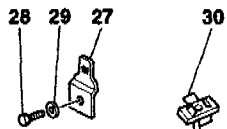
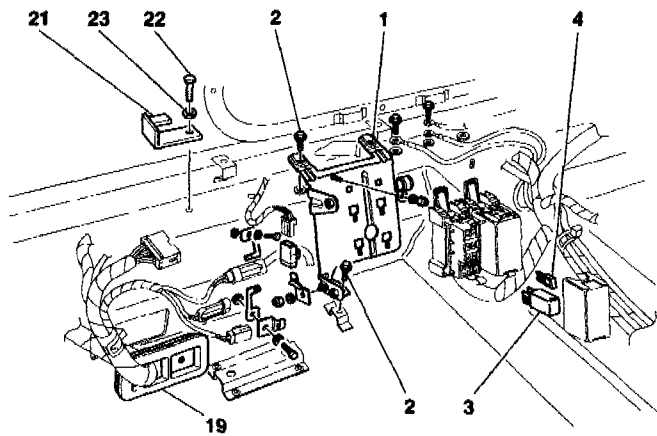
USA  
CDN



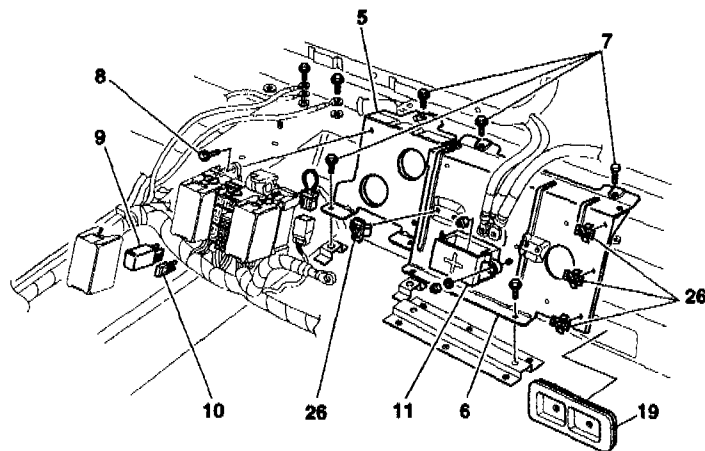
-Vale per F1-  
-Valid for F1-



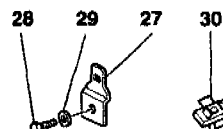
Vale fino alla vett. Ass. Nr. 42963  
Valid till car Ass. Nr. 42963



LATO DX.  
R.H. SIDE



LATO SX.  
L.H. SIDE

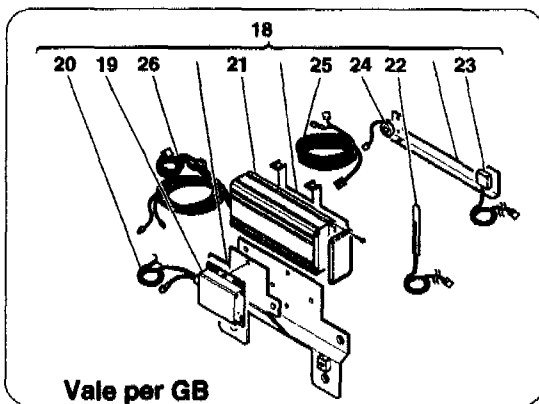
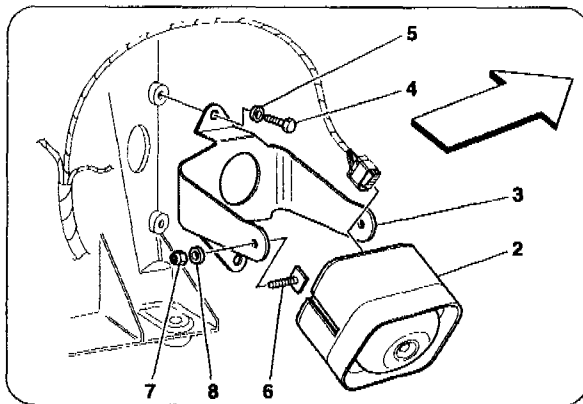
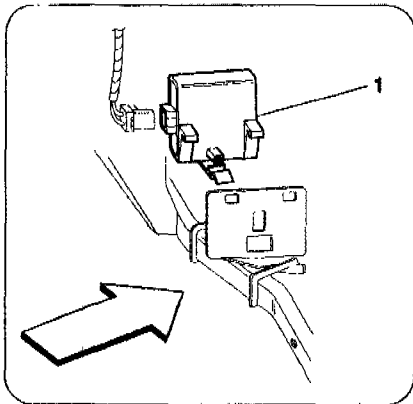
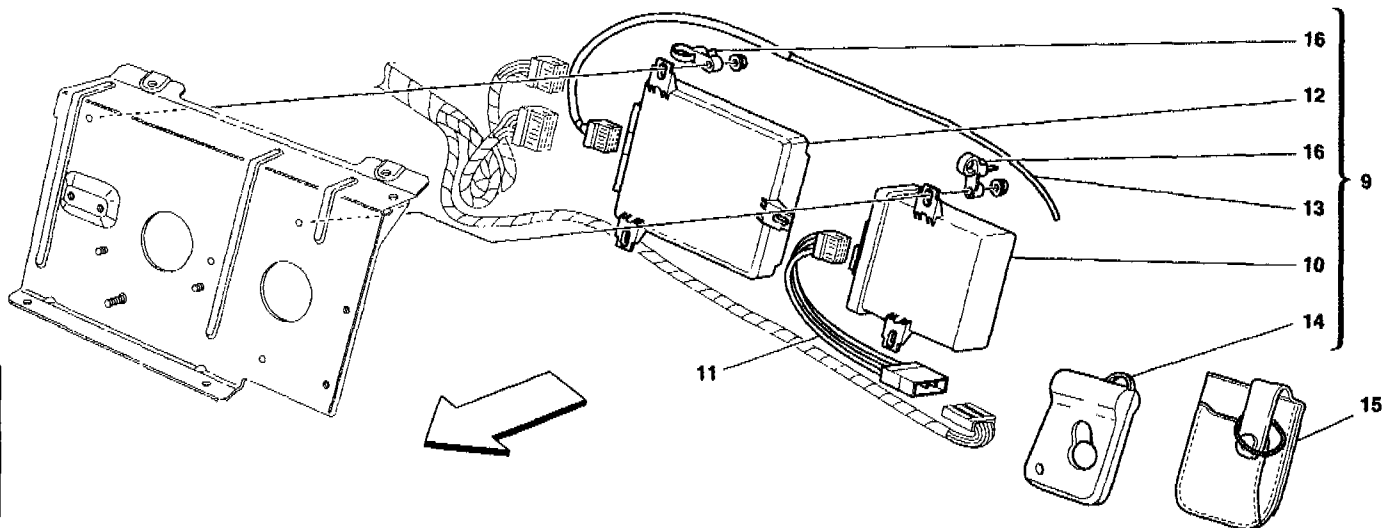


360 Modena - 138 - REAR PASSENGERS COMPARTMENT CONTROL STATIONS

1	65312600	1	R.H. SIDE BRACKET FOR CONTROL UNIT FIXING
2	16286024	4	SCREW
3	172882	1	MICRO-RELAY 30 A.
3	161590	3	MICRO-RELAY 20 A.
3	177761	1	RELAY 50 A.
4	172875	1	FUSE 5 A.
4	172876	2	FUSE 7,5 A.
4	172877	5	FUSE 10 A.
4	172878	1	FUSE 15 A.
4	172879	1	FUSE 20 A.
4	172881	2	FUSE 30 A.
5	65312800	1	L.H. SIDE BRACKET FOR CONTROL UNIT FIXING
6	65319600	1	L.H. SIDE BRACKET FOR TERMINAL BOX FIXING -Not as spare part- -Replaced by 65792800-
6	65792800	1	L.H. SIDE BRACKET FOR TERMINAL BOX FIXING -Valid till car Ass. Nr. 42963-
6	66765200	1	L.H. SIDE BRACKET FOR TERMINAL BOX FIXING -Valid from car Ass. Nr. 42964-
7	16286024	7	SCREW
8	16286024	2	SCREW
9	172882	2	MICRO-RELAY 30 A.
9	161590	5	MICRO-RELAY 20 A.
9	161591	1	MICRO-RELAY 20/10 A.
10	172875	2	FUSE 5 A.
10	172876	4	FUSE 7,5 A.
10	172877	5	FUSE 10 A.
10	172878	5	FUSE 15 A.
10	172880	1	FUSE 25 A.
10	172881	5	FUSE 30 A.
11	170114	1	COMPLETE TERMINAL BOX
12	65692900	1	COMPLETE R.H. SIDE BRACKET FOR F1 CONTROL UNIT FIXING -Valid for F1-
13	65668900	1	BRACKET -Valid for F1-
14	176552	1	F1 GEAR-BOX ELECTRONIC CONTROL STATION -Valid for F1- -Not for USA MY 2000,2001,2002,2003,2004 and CDN MY 2000,2001,2002,2003,2004- -Not as spare part- -Replaced by 191701-
14	185301	1	F1 GEAR-BOX ELECTRONIC CONTROL STATION -Valid for F1- -Valid for USA MY 2000,2001, 2002,2003,2004 and CDN MY 2000,2001,2002,2003,2004- -Not as spare part- -Replaced by 191701-
14	191701	1	F1 GEAR-BOX ELECTRONIC CONTROL STATION -Valid for F1- -Valid till Ass. Nr. 44074- -Not as spare part-
14	193263	1	F1 GEAR-BOX ELECTRONIC CONTROL STATION -Valid for F1- -Valid from Ass. Nr. 44075 till Ass. Nr. 47114-
14	195399	1	F1 GEAR-BOX ELECTRONIC CONTROL STATION -Valid for F1- -Valid from Ass. Nr. 47115 till Ass. Nr. 47379-
14	197533	1	F1 GEAR-BOX ELECTRONIC CONTROL STATION -Valid for F1- -Valid from Ass. Nr. 47380-

14	211023	1	-Not as spare part- -Replaced by 211023- F1 GEAR-BOX ELECTRONIC CONTROL STATION -Valid for F1-
15	16286024	3	-Valid from Ass. Nr. 47380- SCREW -Valid for F1-
16	155437	1	RELAY -Valid for F1-
16	194909	1	-Not as spare part- -Replaced by 194909- RELAY -Valid for F1-
17	177761	1	RELAY FOR AIR PUMP -Valid for USA MY 2000,2001,2002,2003,2004 and CDN MY 2000,2001,2002,2003,2004-
18	170061	1	FUSE 50 A. -Valid for USA MY 2000,2001,2002,2003,2004 and CDN MY 2000,2001,2002,2003,2004-
19	168847	2	INNER COMPARTMENT CABLE BUSHING
20	170925	4	CONNECTORS FIXING PLATE -Valid till car Ass. Nr. 42963-
21	179996	1	BRACKET -Not for F1-
22	10902224	1	SCREW -Not for F1-
23	12601274	1	WASHER -Not for F1-
24	10902224	4	SCREW -Valid till car Ass. Nr. 42963-
25	12601274	4	WASHER -Valid till car Ass. Nr. 42963-
26	170301	4	PLASTIC CLIP -Valid from car Ass. Nr. 42964-
27	170925	11	CONNECTORS FIXING PLATE -Metal-
28	10902224	11	SCREW -For bracket 170925-
29	12601274	11	WASHER -For bracket 170925-
30	188739	11	CLIP -Plastic-
31	168438	1	SUPPORT
32	16285924	2	SCREW
33	195710	1	BRACKET -Valid for USA and CDN-





Vale per GB  
Valid for GB

## 360 Modena - 139 - ANTI-THEFT ELECTRICAL BOARDS AND DEVICES

1	177149	1	ANTI-LIFT SENSOR -Not as spare part- -Replaced by 203327-
1	203327	1	ANTI-LIFT SENSOR
2	177148	1	SIREN
3	172941	1	BRACKET
4	16051921	2	SCREW
5	10519624	2	WASHER
6	179810	2	SCREW
7	102948	2	NUT
8	12646601	2	WASHER
9	182131	1	COMPLETE ANTI-THEFT ELECTRICAL BOARDS KIT -Not for D, CH, B, NL, GB, IRL, USA, CDN, AUS- -For countries ... , see note "1"-
9	182132	1	COMPLETE ANTI-THEFT ELECTRICAL BOARDS KIT -Valid for D-
9	182133	1	COMPLETE ANTI-THEFT ELECTRICAL BOARDS KIT -Valid for CH-
9	182134	1	COMPLETE ANTI-THEFT ELECTRICAL BOARDS KIT -Valid for B-
9	182135	1	COMPLETE ANTI-THEFT ELECTRICAL BOARDS KIT -Valid for NL-
9	182136	1	COMPLETE ANTI-THEFT ELECTRICAL BOARDS KIT -Valid for GB and IRL-
9	182137	1	COMPLETE ANTI-THEFT ELECTRICAL BOARDS KIT -Valid for USA, CDN, AUS and for countries ... , see note "2"-
9	171851	1	REMOTE KIT -For countries ... , see note "1"-
9	171852	1	REMOTE KIT -For countries ... , see note "2"-
10	168509	1	INTERFACE ELECTRONIC CONTROL STATION -Not as a spare part- -With the complete anti-theft ECU-
11	166420	1	CABLES TO CONTROL UNIT -Not as spare part- -Replaced by 200851-
11	200851	1	CABLES TO CONTROL UNIT
12	168508	1	ANTI-THEFT ELECTRICAL BOARDS (Freq. 433 MHz)-Not as a spare part- -With the complete anti-theft ECU-
12	176004	1	ANTI-THEFT ELECTRICAL BOARDS (Freq. 315 MHz)-Not as a spare part- -With the complete anti-theft ECU-
13	169600	1	ANTI-THEFT ANTENNA -For countries ... , see note "1"-
13	180548	1	ANTI-THEFT ANTENNA -For countries ... , see note "2"-
14	165584	1	"MASTER" REMOTE CONTROL (RED) -Not as spare part- -With the remote control Kit 171851 or the complete anti-theft ECU Kit-
14	165016	1	"SLAVE" REMOTE CONTROL (BLACK) -Not as spare part- -With the remote control Kit 171851 or the complete anti-theft ECU Kit-

14	168016	1	"MASTER" REMOTE CONTROL (RED) -Not as spare part- -With the remote control Kit 171852 or the complete anti-theft ECU Kit-
14	167069	1	"SLAVE" REMOTE CONTROL (BLACK) -Not as spare part- -With the remote control Kit 171852 or the complete anti-theft ECU Kit-
15	652597..	1	REMOTE CASE
16	170011	2	CLAMP
17	189552	1	CABLE CONNECTION SIREN TO BATTERY
18	216112	1	SATELLITE ANTI-THEFT KIT -Valid for GB-
19	216096	1	ADR UNIT CONTROL STATION -Valid for GB-
20	216103	1	ANTENNA CABLE -Valid for GB-
21	216095	1	AEM400DLU CONTROL STATION -Valid for GB-
22	216099	1	GSM ANTENNA -Valid for GB-
23	216098	1	GPS ANTENNA -Valid for GB-
24	216101	1	BUZZER -Valid for GB-
25	216102	1	CABLES FOR BUZZER -Valid for GB-
26	216104	1	FEED CABLES -Valid for GB-

**IMPORTANT:**

To order the complete anti-theft ECU kit and/or the remote control kit, quote by fax, our part n° from the remote control homologation plate which you will find listed in note "3".

**Note 1**

Countries with a frequency of 433 MHz:

Italy, Denmark, Luxembourg, Austria, France, Spain, Portugal, Sweden, Finland, Germany (with specific complete ECU kit), Switzerland (with specific complete ECU kit), Belgium (with specific complete ECU kit), Netherlands (with specific complete ECU kit), United Kingdom (with specific complete ECU kit), Ireland (with specific complete ECU kit), Greece, Turkey, Cyprus, Saudi Arabia, Kuwait, Bahrain, Brunei, Hong Kong, China, Thailand, Taiwan.

**Note 2**

Countries with a frequency of 315 MHz:

USA, Canada, Mexico, Puerto Rico, Brazil, Argentina, Venezuela, Lebanon, United Arab Emirates, Oman, Japan, Singapore, Australia.

**Note 3**

List of homologation plates for the remote control:

Germany/Luxembourg/Austria Part N° 171281

Belgium Part N° 171282

Denmark Part N° 171283

France Part N° 171284

United Kingdom/Ireland Part N° 171285

Sweden Part N° 171286

Switzerland Part N° 171287

Netherlands Part N° 171564

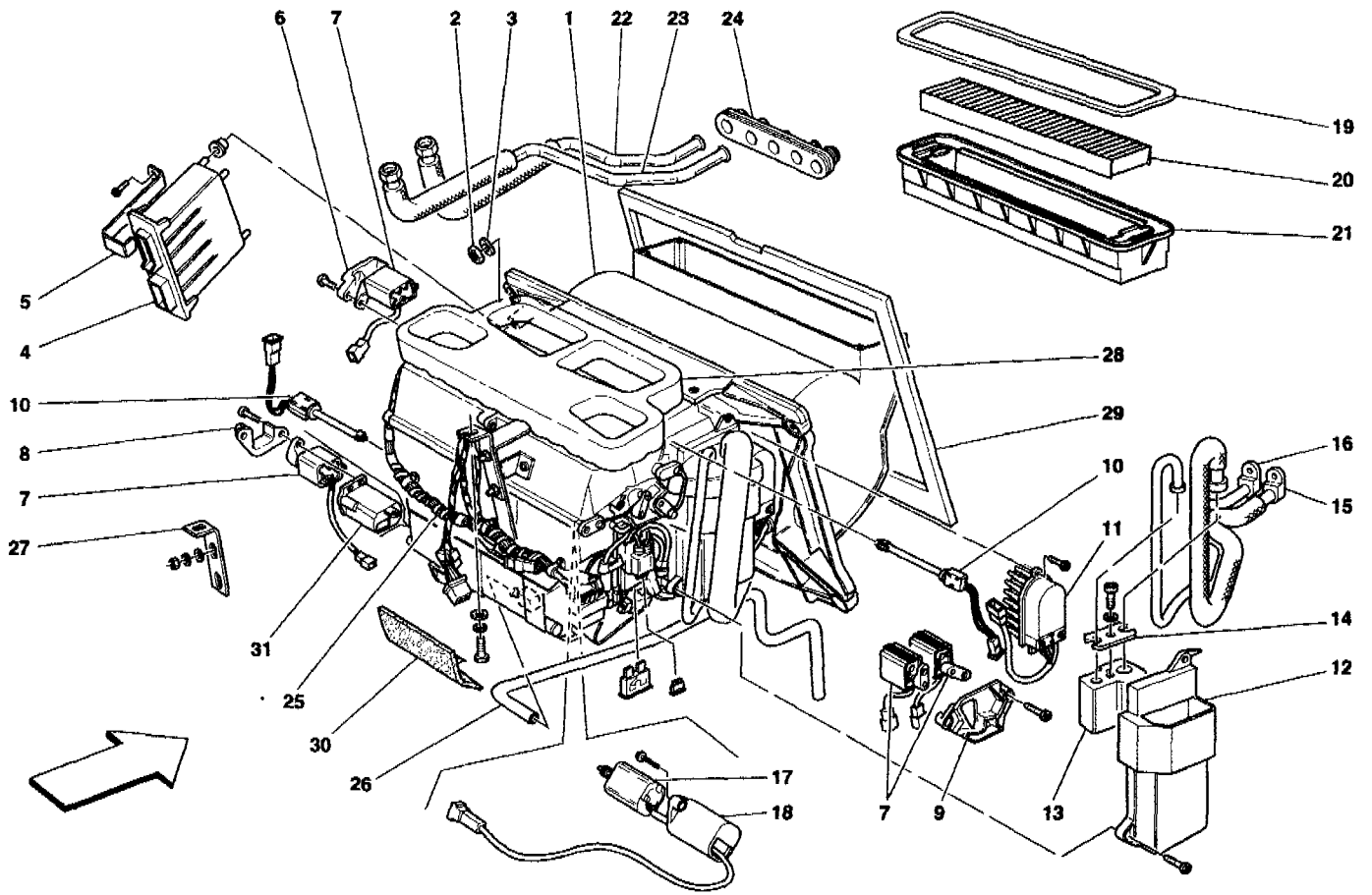
Spain/Portugal Part N° 171565

USA/Canada Part N° 171566

For the countries not mentioned in the above list, a homologation plate for the remote control is not anticipated.

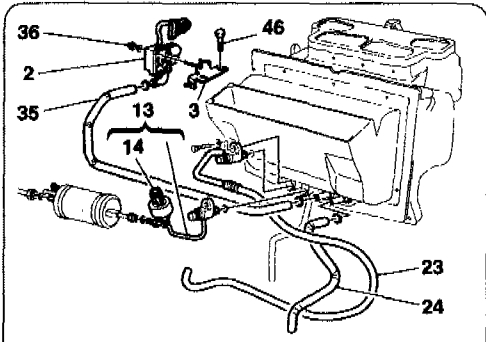
See "INNER TRIMS CAR CODES" table for codes of parts covered in leather or moquette.

360 Modena - 140 - EVAPORATOR UNIT

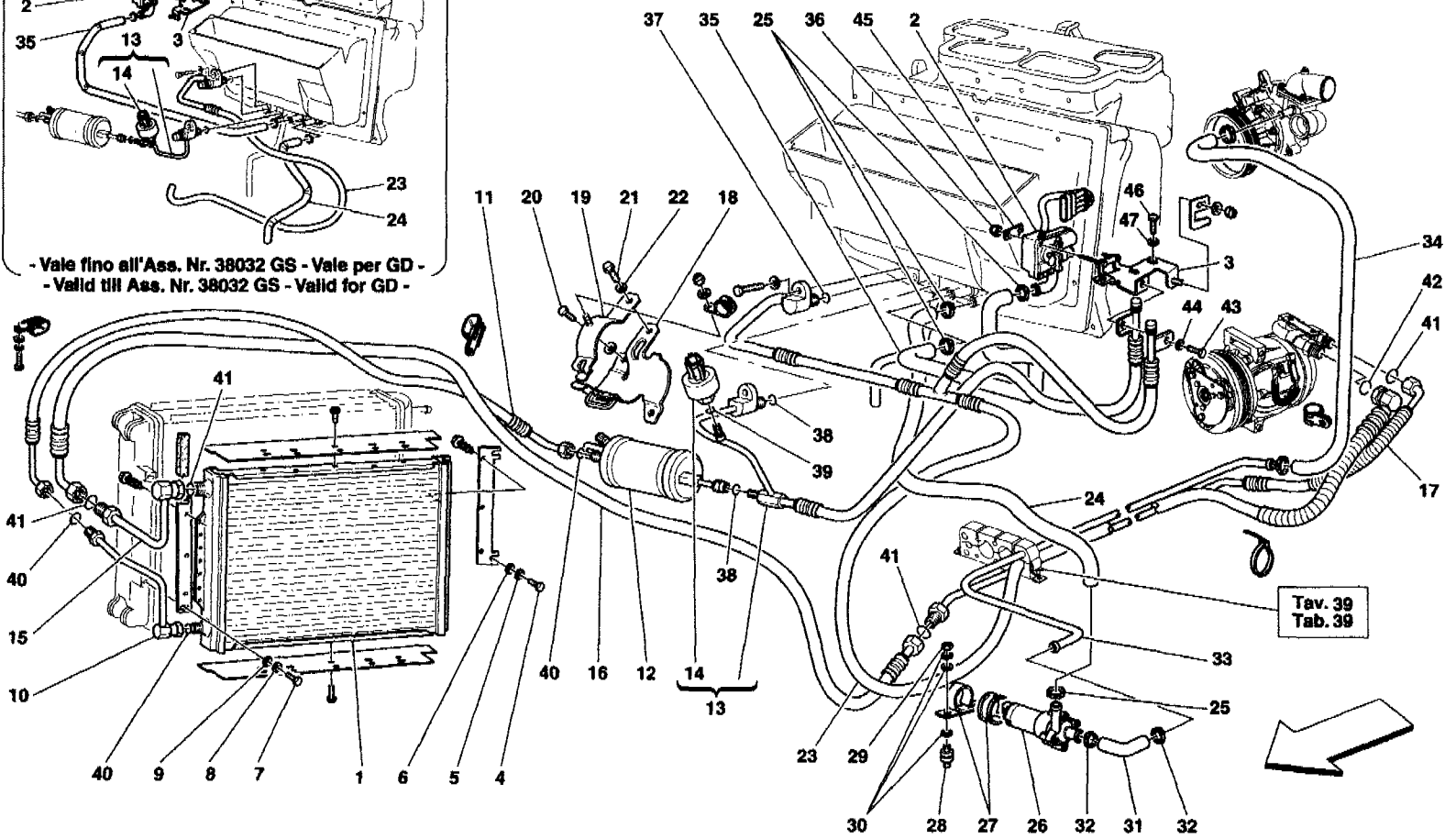


## 360 Modena - 140 - EVAPORATOR UNIT

1	63330900	1	COMPLETE EVAPORATOR SET -Not for GD- -Not as spare part- -Replaced by 68070600-
1	68070600	1	COMPLETE EVAPORATOR SET -Not for GD-
1	65878700	1	COMPLETE EVAPORATOR SET -Valid for GD- -Not as spare part- -Replaced by 68070700-
1	68070700	1	COMPLETE EVAPORATOR SET -Valid for GD-
2	147985	4	NUT
3	12646724	4	WASHER
4	168937	1	A.C. ELECTRONIC CONTROL STATION -Not as spare part- -Replaced by 204068-
4	204068	1	A.C. ELECTRONIC CONTROL STATION
5	66159300	1	ECU FIXING BRACKET
6	66207600	1	FRONT DOOR ACTUATOR FIXING
7	66207300	4	BULHER ACTUATOR
8	66207400	1	FRONT FLOOR ACTUATOR FIXING
9	66159100	1	DEFROST DOOR ACTUATOR FIXING
10	65066600	2	AIR TEMPERATURE SENSOR -Not as spare part- -Replaced by 68154200-
10	68154200	2	AIR TEMPERATURE SENSOR
11	65230100	1	ELECTRO-BLOWER REGULATOR
12	66158300	1	EVAPORATOR BATTERY COVER
13	63960100	1	EXPANSION VALVE -Not as spare part replaced by 65230300-
13	65230300	1	EXPANSION VALVE
14	64281500	1	FLANGE
15	66157900	1	PIPE FROM A/C GROUP
16	65229400	1	PIPE FROM EVAPORATOR
17	65229500	1	RECYCLE ELECTRIC MOTOR -Not as spare part- -Replaced by 64280900-
17	64280900	1	RECYCLE ELECTRIC MOTOR
18	66159000	1	ACTUATOR SUPPORT
19	65258600	1	GASKET
20	65384300	1	ANTI-POLLEN FILTER
21	65629700	1	A/C GROUP MOBILE DUCTING
22	65229100	1	WATER ENTRY PIPE -Not for GD-
22	66218700	1	WATER ENTRY PIPE -Valid for GD-
23	65229200	1	WATER OUTLET PIPE -Not for GD-
23	66218800	1	WATER OUTLET PIPE -Valid for GD-
24	65374100	1	PIPES GROMMET
25	65229900	1	A/C GROUP ELECTRIC SYSTEM
26	65230200	1	SLEEVE FOR CONDENSATE VENT
27	66159200	1	EVAPORATOR FIXING BRACKET
28	65930900	1	EVAPORATOR UPPER GASKET
29	66207500	1	A/C GROUP SET OF GASKETS
30	159147	1	RUBBER THICKNESS
31	67014700	1	ACTUATOR SUPPORT



- Vale fino all'Ass. Nr. 38032 GS - Vale per GD -  
- Valid till Ass. Nr. 38032 GS - Valid for GD -

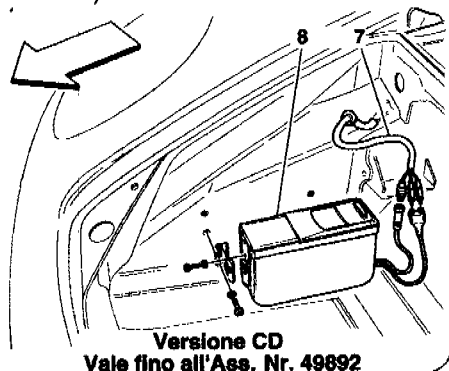


360 Modena - 141 - AIR CONDITIONING SYSTEM

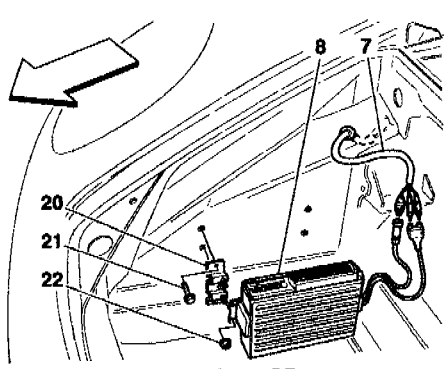
1	178565	1	A.C. CONDENSER
2	65066400	1	TGK VALVE
3	65848400	1	BRACKET FOR VALVE FIXING -Valid till Ass. Nr. 38032- -Not for GD-
3	66150300	1	BRACKET FOR VALVE FIXING -Valid from Ass. Nr. 38033- -Not for GD-
3	65882200	1	BRACKET FOR VALVE FIXING -Valid for GD-
4	10902124	3	SCREW
5	12601274	3	WASHER
6	14496424	3	WASHER
7	60909500	1	SCREW
8	12601274	1	WASHER
9	12643724	1	WASHER
10	65830900	1	DELIVERY METAL PIPE
11	65830700	1	HOSE FROM CONDENSER TO FILTER
12	65628300	1	DEHYDRATING FILTER
13	65898700	1	PIPE FROM FILTER TO A.C. SYSTEM -Valid till Ass. Nr. 38032- -Not for GD-
13	66147900	1	PIPE FROM FILTER TO A.C. SYSTEM -Valid from Ass. Nr. 38033- -Not for GD-
13	66090200	1	PIPE FROM FILTER TO A.C. SYSTEM -Valid for GD-
14	65628200	1	PRESSOSTAT
15	65830800	1	INLET METAL PIPE
16	65830600	1	PIPE FROM UNDERFLOOR PIPE TO CONDENSER -Not for GD-
16	65744300	1	PIPE FROM UNDERFLOOR PIPE TO CONDENSER -Valid for GD-
17	65230500	1	UNDERFLOOR DELIVERY TUBE FROM COMPRESSOR
18	65539400	1	FILTER SUPPORT -Not for GD-
18	65880700	1	FILTER SUPPORT -Valid for GD-
19	65547700	1	BRACKET -Not for GD-
19	65880900	1	BRACKET -Valid for GD-
20	10902224	2	SCREW
21	13840511	1	SCREW -Not as spare part- -Replaced by 68721400-
21	68721400	1	SCREW
22	12644424	2	WASHER
23	65921100	1	PIPE FROM A.C. SYSTEM TO COMPRESSOR -Valid till Ass. Nr. 38032 GS- -Valid for GD-
23	66148000	1	PIPE FROM A.C. SYSTEM TO COMPRESSOR -Valid from Ass. Nr. 38033 GS- -Not for GD-
24	65460800	1	PIPE FROM MINIMUM PUMP TO A.C. SYSTEM -Not for GD-
24	65744600	1	PIPE FROM MINIMUM PUMP TO A.C. SYSTEM -Valid for GD-
25	13000390	4	SCREW COLLAR
26	65460300	1	MINIMUM PUMP
27	63994900	1	COMPLETE BRACKET

28	142202	2	PAD
29	15896214	2	NUT
30	10571570	2	WASHER
31	65460700	1	PIPE FROM UNDERFLOOR PIPE TO MINIMUM PUMP
32	13000390	2	SCREW COLLAR
33	65231400	1	WATER PIPE UNDERFLOOR
34	65831500	1	PIPE FROM WATER PUMP TO UNDRFLOOR PIPE
35	65231700	1	PIPE FROM A.C. HEATER TO TGK VALVE -Not for GD-
35	65744700	1	PIPE FROM A.C. HEATER TO TGK VALVE -Valid for GD-
36	14078010	2	NUT -Valid till Ass. Nr. 38032 GS- -Valid for GD-
36	62790300	2	NUT -Valid from Ass. Nr. 38033 GS- -Not for GD-
37	66309800	1	O.R. GASKET
38	66309700	2	O.R. GASKET
39	66309600	1	O.R. GASKET
40	66309300	2	O.R. GASKET
41	66309400	4	O.R. GASKET
42	66309500	1	O.R. GASKET
43	10977524	1	SCREW -Valid from Ass. Nr. 38033- -Not for GD-
44	11188079	1	WASHER -Valid from Ass. Nr. 38033- -Not for GD-
45	65929400	1	SMALL PLATE -Valid from Ass. Nr. 38033- -Not for GD-
46	15210624	2	SCREW -Valid till Ass. Nr. 38032 GS- -Valid for GD-
46	11193274	2	SCREW -Valid from Ass. Nr. 38033 GS- -Not for GD-
47	11193274	2	WASHER -Valid from Ass. Nr. 38033 GS- -Not for GD-

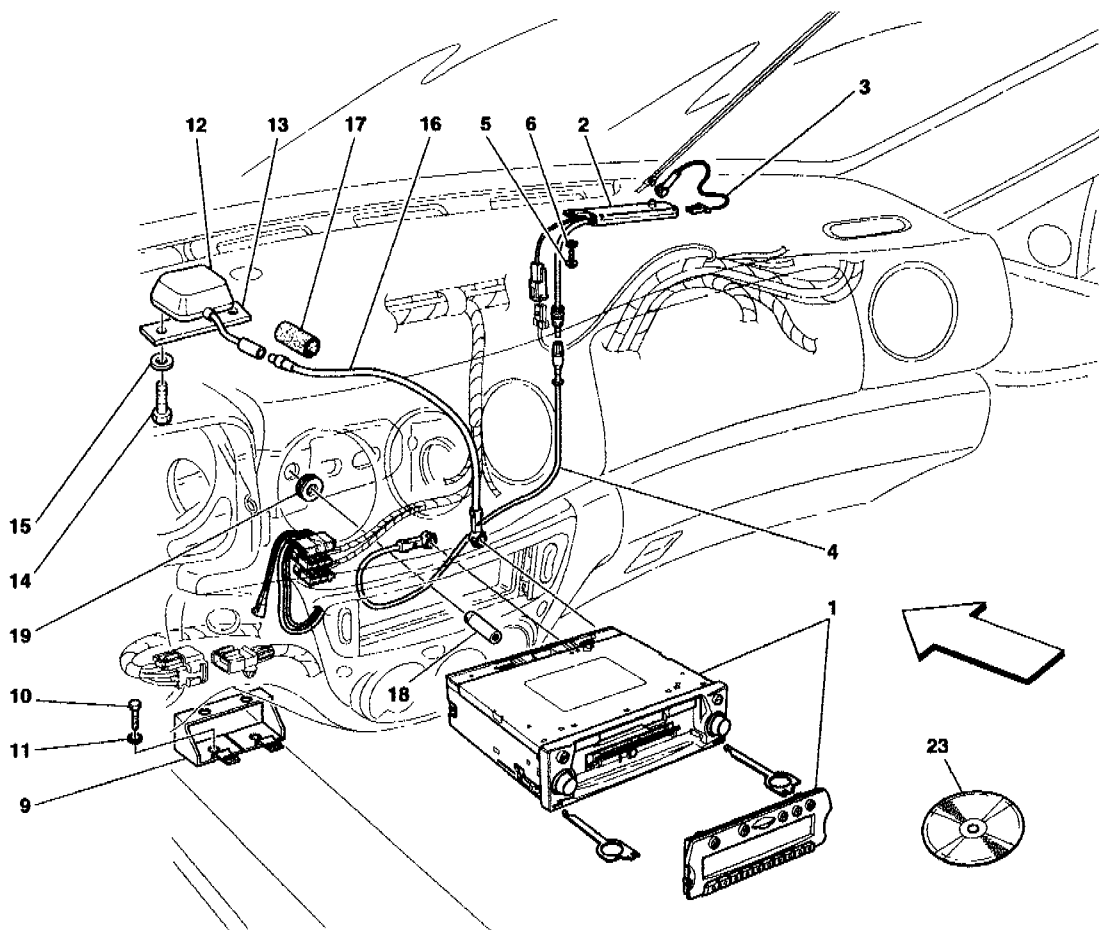




**Versione CD**  
**Vale fino all'Ass. Nr. 49892**  
**CD Version**  
**Valid till Ass. Nr. 49892**



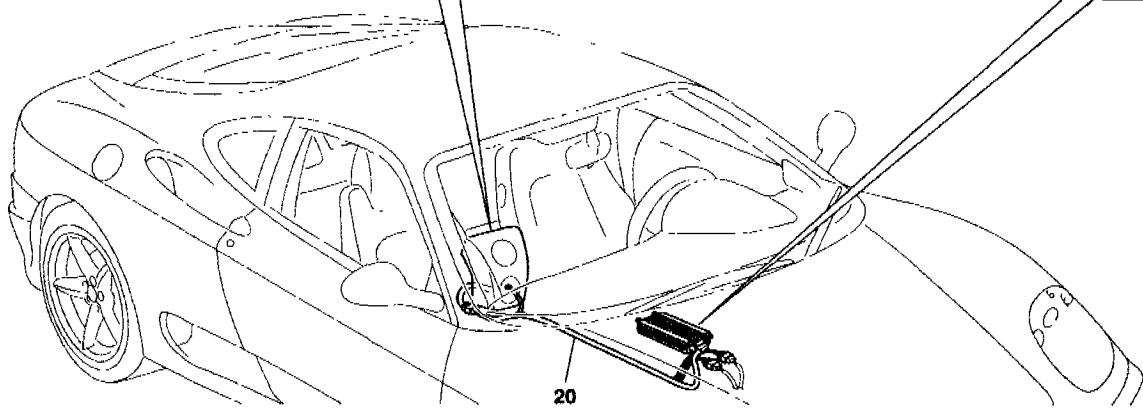
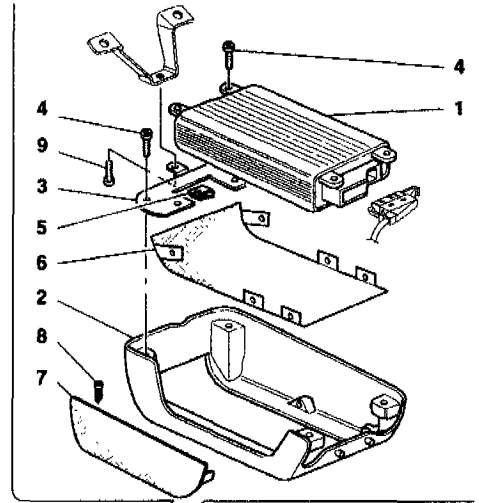
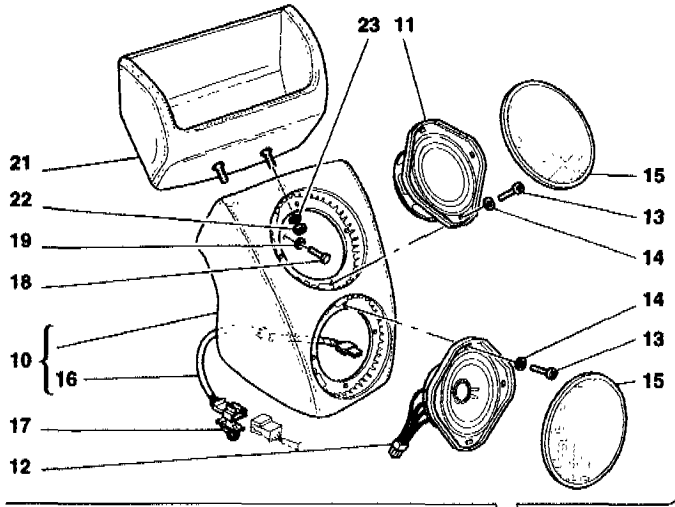
**Versione CD**  
**Vale dall'Ass. Nr. 49893**  
**CD Version**  
**Valid from Ass. Nr. 49893**



## 360 Modena - 142 - STEREO EQUIPMENT

1	185202	1	CAR STEREO -With compact disk player- -Not as spare part- -Replaced by 200971-
1	200971	1	CAR STEREO -With compact disk player-
1	168855	1	CAR STEREO -With cassette player- -Not for USA, CDN and J-
1	177783	1	CAR STEREO -With cassette player- -Valid for USA and CDN-
1	189437	1	GPS CAR NAVIGATOR -Optional- -Not for USA, CDN, AUS and J- -Not as spare part- -Replaced by 200966-
1	200966	1	GPS CAR NAVIGATOR -Optional- -Not for USA, CDN, AUS and J-
1	189438	1	GPS CAR NAVIGATOR -Optional- -Valid for USA-
2	176238	1	ANTENNA PRE-AMPLIFIER -Not as spare part- -Replaced by 201355-
2	201355	1	ANTENNA PRE-AMPLIFIER
3	176237	1	ANTENNA CABLE TO WINDSCREEN -Not as spare part- -Replaced by 194313-
3	194313	1	ANTENNA CABLE TO WINDSCREEN -Not as spare part- -Replaced by 201353-
3	201353	1	ANTENNA CABLE TO WINDSCREEN
4	176239	1	ANTENNA CABLE TO CAR STEREO -Not as spare part- -Replaced by 201354-
4	201354	1	ANTENNA CABLE TO CAR STEREO
5	62940900	1	SCREW -Not as spare part- -Replaced by 16285127-
5	16285127	1	SCREW
6	10519424	1	WASHER -Not as spare part- -Replaced by 12638177-
6	12638177	1	WASHER
7	176085	1	CAR STEREO/CD CHARGER CONNECTION CABLES -Not as spare part replaced by 181321-
7	181321	1	CAR STEREO/CD CHARGER CONNECTION CABLES
8	168856	1	CD CHARGER -Valid till Ass. Nr. 49892-
8	194414	1	CD CHARGER -Valid from Ass. Nr. 49893-
9	189876	1	CONNECTORS FIXING BRACKET
10	10902224	2	SCREW
11	12601274	2	WASHER
12	183980	1	GPS ANTENNA -Optional- -Not for CDN, AUS and J- -Not as spare part- -Replaced by 201356-
12	201356	1	GPS ANTENNA -Optional- -Not for CDN, AUS and J-
13	189920	1	BRACKET FOR GPS ANTENNA FIXING

			-Optional-
14	10389321	2	-Not for CDN, AUS and J- SCREW
			-Optional-
15	11188079	2	-Not for CDN, AUS and J- WASHER
			-Optional-
16	189290	1	-Not for CDN, AUS and J- GPS ANTENNA EXTENSION
			-Optional-
			-Not for CDN, AUS and J- -Not as spare part-
16	201357	1	-Replaced by 201357- GPS ANTENNA EXTENSION
			-Optional-
17	179309	1	-Not for CDN, AUS and J- SPONGE
			-Optional-
18	65540500	1	-Not for CDN, AUS and J- CENTERING PIN
19	10396380	1	CABLE GROMMET
20	67196800	1	FRONT BRACKET
			-Valid from Ass. Nr. 49893-
20	67197000	1	REAR BRACKET
			-Valid from Ass. Nr. 49893-
21	169611	4	SCREW
			-Valid from Ass. Nr. 49893-
22	12574011	4	NUT
			-Valid from Ass. Nr. 49893-
23	200969	1	CD ROM FOR EUROPE
23	200968	1	CD ROM FOR USA



360 Modena - 143 - RADIO AMPLIFIER SYSTEM -Valid for version with two seat back pockets-

1	188606	1	AUDIO AMPLIFIER
2	667920..	1	AMPLIFIER BOX -Not as spare part for GD- -Replaced by 673700..-
2	673700..	1	AMPLIFIER BOX -Valid for GD-
3	66770800	1	BRACKET FOR FIXING AMPLIFIER
4	13273977	6	SCREW
5	14371274	2	BRACKET
6	66771400	1	LOWER GRILL FOR AMPLIFIER PROTECTION
7	66771500	1	LATERAL GRILL FOR AMPLIFIER PROTECTION
8	15538601	14	SCREW
9	13274377	1	SCREW
10	672891..	1	SUBWOOFER BOX
11	188609	1	LOUD SPEAKER SUBWOOFER WITHOUT MAGNET
12	188610	1	LOUD SPEAKER SUBWOOFER
13	13272077	8	SCREW
14	12637878	8	WASHER
15	66694500	2	LOUD SPEAKER GRILL
16	190455	1	SUBWOOWER BOX CONNECTION CABLE
17	155978	1	CLIP
18	10903421	2	SCREW
19	109483	2	WASHER
20	188611	1	AMPLIFIER CONNECTION CABLE -Not as spare part- -Replaced by 200853-
20	200853	1	AMPLIFIER CONNECTION CABLE
21	672090..	1	BOX SUBWOOFER CONTAINER
22	113647	2	NUT
23	12638124	2	WASHER

For particular colour matchings, make order by Fax or E-m@il, specifying serial number. - See "INNER TRIMS CAR CODES" table for codes of parts covered in leather or moquette.